



Website:<http://biz.LGservice.com>

COLOR MONITOR

SERVICE MANUAL

CHASSIS NO. : LM57A

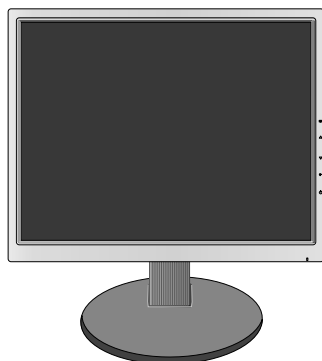
MODEL:FLATRONL1753S (L1753S-BFQ.A**MQP,A**DQP)

FLATRONL1953S (L1953S-BFQ.A**MQP)

() **Same model for Service

CAUTION

BEFORE SERVICING THE UNIT,
READ THE **SAFETY PRECAUTIONS** IN THIS MANUAL.



*To apply the **MSTAR Chip**.

CONTENTS

SPECIFICATIONS	2	SERVICE OSD	17
PRECAUTIONS	3	TROUBLESHOOTING GUIDE	18
TIMING CHART	7	WIRING DIAGRAM	24
DISASSEMBLY	8	EXPLODED VIEW	25
BLOCK DIAGRAM.....	12	REPLACEMENT PARTS LIST	27
DISCRIPTION OF BLOCK DIAGRAM	13	SCHEMATIC DIAGRAM.....	30
ADJUSTMENT	16		

SPECIFICATIONS

1. LCD CHARACTERISTICS

Type : TFT Color LCD Module
 Active Display Area : 17 inch - **L1753S**
 : 19 inch - **L1953S**
 Pixel Pitch : 0.264 (H) x 0.264 (V) - **L1753S**
 : 0.294 (H) x 0.294 (V) - **L1953S**
 Color Depth : 8bits, 16.2M colors
 Size : 358.5 (H) x 296.5 (V) x 17.0(D) - **L1753S**
 : 396 (H) x 324 (V) x 17.5(D) - **L1953S**
 Electrical Interface : LVDS
 Surface Treatment : Hard-coating(3H), Anti-Glare
 Operating Mode : Normally White, Transmissive mode
 Backlight Unit : 4-CCFL

2. OPTICAL CHARACTERISTICS

2-1. Viewing Angle by Contrast Ratio ≥ 10

Left : -60° min., -70°(Typ) Right : +60° min., +70°(Typ)
 Top : +60° min., +75°(Typ) Bottom : -50° min., -65°(Typ)

2-2. Luminance : 230(min), 300(Typ) (Full White pattern, 0.70V) -**6500K**
 : 150(min) (Full White pattern, 0.70V) -**9300K**
 75%(min)

2-3. Contrast Ratio : 1400:1 (DFC)

3. SIGNAL (Refer to the Timing Chart)

3-1. Sync Signal
 • Type : Separate Sync, SOG

3-2. Video Input Signal
 1) Type : R, G, B Analog
 2) Voltage Level : 0~0.71 V
 a) Color 0, 0 : 0 Vp-p
 b) Color 7, 0 : 0.467Vp-p
 c) Color 15, 0 : 0.714Vp-p
 3) Input Impedance : 75Ω

3-3. Operating Frequency
 Horizontal : 30 ~ 83kHz
 Vertical : 56 ~ 75Hz

4. Max. Resolution

D-sub Analog : 1280 x 1024@75Hz

5. POWER SUPPLY

5-1. Power : AC 100~240V, 50/60Hz , 0.6A

5-2. Power Consumption

MODE	H/V SYNC	VIDEO	POWER CONSUMPTION	LED COLOR
POWER ON (NORMAL)	ON/ON	ACTIVE	less than 35 W - L1753S	BLUE
			less than 39 W - L1953S	or GREEN
STAND-BY	OFF/ON	OFF	less than 1 W	AMBER
SUSPEND	ON/OFF	OFF	less than 1 W	AMBER
DPMS OFF	OFF/OFF	OFF	less than 1 W	AMBER
POWER S/W Off	-	-	less than 1 W	OFF

6. ENVIRONMENT

6-1. Operating Temperature : 10°C~35°C (50°F~95°F)
 (Ambient)

6-2. Relative Humidity : 10%~80% (Non-condensing)

6-3. MTBF : 50,000 HRS with 90% Confidence
 Lamp Life : 50,000 Hours(Min)

7. DIMENSIONS (with TILT/SWIVEL)

L1753S
 Width : 364.5 mm (14.35")
 Depth : 180 mm (7.09")
 Height : 378.2 mm (14.89")

L1953S
 Width : 402 mm (15.83")
 Depth : 180 mm (7.09")
 Height : 407.5 mm (16.04")

8. WEIGHT (with TILT/SWIVEL)

L1753S
 Net. Weight : 3.3 kg (7.28 lbs)
 Gross Weight : 4.4 kg (9.70 lbs)

L1953S
 Net. Weight : 4.2 kg (9.26 lbs)
 Gross Weight : 5.4 kg (11.91 lbs)

PRECAUTION

WARNING FOR THE SAFETY-RELATED COMPONENT.

- There are some special components used in LCD monitor that are important for safety. **These parts are marked \triangle on the schematic diagram and the replacement parts list.** It is essential that these critical parts should be replaced with the manufacturer's specified parts to prevent electric shock, fire or other hazard.
- Do not modify original design without obtaining written permission from manufacturer or you will void the original parts and labor guarantee.

TAKE CARE DURING HANDLING THE LCD MODULE WITH BACKLIGHT UNIT.

- Must mount the module using mounting holes arranged in four corners.
- Do not press on the panel, edge of the frame strongly or electric shock as this will result in damage to the screen.
- Do not scratch or press on the panel with any sharp objects, such as pencil or pen as this may result in damage to the panel.
- Protect the module from the ESD as it may damage the electronic circuit (C-MOS).
- Make certain that treatment person's body are grounded through wrist band.
- Do not leave the module in high temperature and in areas of high humidity for a long time.
- The module not be exposed to the direct sunlight.
- Avoid contact with water as it may a short circuit within the module.
- If the surface of panel become dirty, please wipe it off with a softmaterial. (Cleaning with a dirty or rough cloth may damage the panel.)

\triangle CAUTION

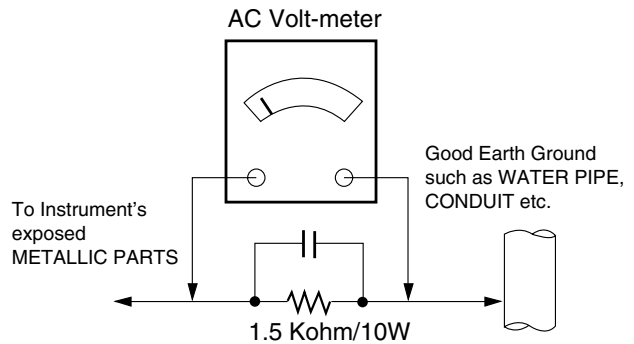
Please use only a plastic screwdriver to protect yourself from shock hazard during service operation.

\triangle WARNING

BE CAREFUL ELECTRIC SHOCK !

- If you want to replace with the new backlight (CCFL) or inverter circuit, must disconnect the AC adapter because high voltage appears at inverter circuit about 650Vrms.
- Handle with care wires or connectors of the inverter circuit. If the wires are pressed cause short and may burn or take fire.

Leakage Current Hot Check Circuit



SERVICING PRECAUTIONS

CAUTION: Before servicing receivers covered by this service manual and its supplements and addenda, read and follow the **SAFETY PRECAUTIONS** on page 3 of this publication.

NOTE: If unforeseen circumstances create conflict between the following servicing precautions and any of the safety precautions on page 3 of this publication, always follow the safety precautions. Remember: Safety First.

General Servicing Precautions

1. Always unplug the receiver AC power cord from the AC power source before;
 - a. Removing or reinstalling any component, circuit board module or any other receiver assembly.
 - b. Disconnecting or reconnecting any receiver electrical plug or other electrical connection.
 - c. Connecting a test substitute in parallel with an electrolytic capacitor in the receiver.
CAUTION: A wrong part substitution or incorrect polarity installation of electrolytic capacitors may result in an explosion hazard.
 - d. Discharging the picture tube anode.
2. Test high voltage only by measuring it with an appropriate high voltage meter or other voltage measuring device (DVM, FETVOM, etc) equipped with a suitable high voltage probe.
Do not test high voltage by "drawing an arc".
3. Discharge the picture tube anode only by (a) first connecting one end of an insulated clip lead to the degaussing or kine aquadag grounding system shield at the point where the picture tube socket ground lead is connected, and then (b) touch the other end of the insulated clip lead to the picture tube anode button, using an insulating handle to avoid personal contact with high voltage.
4. Do not spray chemicals on or near this receiver or any of its assemblies.
5. Unless specified otherwise in this service manual, clean electrical contacts only by applying the following mixture to the contacts with a pipe cleaner, cotton-tipped stick or comparable non-abrasive applicator; 10% (by volume) Acetone and 90% (by volume) isopropyl alcohol (90%-99% strength)
CAUTION: This is a flammable mixture.
Unless specified otherwise in this service manual, lubrication of contacts is not required.
6. Do not defeat any plug/socket B+ voltage interlocks with which receivers covered by this service manual might be equipped.
7. Do not apply AC power to this instrument and/or any of its electrical assemblies unless all solid-state device heat sinks are correctly installed.
8. Always connect the test receiver ground lead to the receiver chassis ground before connecting the test receiver positive lead.
Always remove the test receiver ground lead last.

9. Use with this receiver only the test fixtures specified in this service manual.

CAUTION: Do not connect the test fixture ground strap to any heat sink in this receiver.

Electrostatically Sensitive (ES) Devices

Some semiconductor (solid-state) devices can be damaged easily by static electricity. Such components commonly are called *Electrostatically Sensitive (ES) Devices*. Examples of typical ES devices are integrated circuits and some field-effect transistors and semiconductor "chip" components. The following techniques should be used to help reduce the incidence of component damage caused by static by static electricity.

1. Immediately before handling any semiconductor component or semiconductor-equipped assembly, drain off any electrostatic charge on your body by touching a known earth ground. Alternatively, obtain and wear a commercially available discharging wrist strap device, which should be removed to prevent potential shock reasons prior to applying power to the unit under test.
2. After removing an electrical assembly equipped with ES devices, place the assembly on a conductive surface such as aluminum foil, to prevent electrostatic charge buildup or exposure of the assembly.
3. Use only a grounded-tip soldering iron to solder or unsolder ES devices.
4. Use only an anti-static type solder removal device. Some solder removal devices not classified as "anti-static" can generate electrical charges sufficient to damage ES devices.
5. Do not use freon-propelled chemicals. These can generate electrical charges sufficient to damage ES devices.
6. Do not remove a replacement ES device from its protective package until immediately before you are ready to install it. (Most replacement ES devices are packaged with leads electrically shorted together by conductive foam, aluminum foil or comparable conductive material).
7. Immediately before removing the protective material from the leads of a replacement ES device, touch the protective material to the chassis or circuit assembly into which the device will be installed.
CAUTION: Be sure no power is applied to the chassis or circuit, and observe all other safety precautions.
8. Minimize bodily motions when handling unpackaged replacement ES devices. (Otherwise harmless motion such as the brushing together of your clothes fabric or the lifting of your foot from a carpeted floor can generate static electricity sufficient to damage an ES device.)

General Soldering Guidelines

1. Use a grounded-tip, low-wattage soldering iron and appropriate tip size and shape that will maintain tip temperature within the range of 500°F to 600°F.
2. Use an appropriate gauge of RMA resin-core solder composed of 60 parts tin/40 parts lead.
3. Keep the soldering iron tip clean and well tinned.
4. Thoroughly clean the surfaces to be soldered. Use a small wire-bristle (0.5 inch, or 1.25cm) brush with a metal handle.

Do not use freon-propelled spray-on cleaners.

5. Use the following unsoldering technique
 - a. Allow the soldering iron tip to reach normal temperature.
(500°F to 600°F)
 - b. Heat the component lead until the solder melts.
 - c. Quickly draw the melted solder with an anti-static, suction-type solder removal device or with solder braid.

CAUTION: Work quickly to avoid overheating the circuitboard printed foil.

6. Use the following soldering technique.
 - a. Allow the soldering iron tip to reach a normal temperature (500°F to 600°F)
 - b. First, hold the soldering iron tip and solder the strand against the component lead until the solder melts.
 - c. Quickly move the soldering iron tip to the junction of the component lead and the printed circuit foil, and hold it there only until the solder flows onto and around both the component lead and the foil.

CAUTION: Work quickly to avoid overheating the circuit board printed foil.

- d. Closely inspect the solder area and remove any excess or splashed solder with a small wire-bristle brush.

IC Remove/Replacement

Some chassis circuit boards have slotted holes (oblong) through which the IC leads are inserted and then bent flat against the circuit foil. When holes are the slotted type, the following technique should be used to remove and replace the IC. When working with boards using the familiar round hole, use the standard technique as outlined in paragraphs 5 and 6 above.

Removal

1. Desolder and straighten each IC lead in one operation by gently prying up on the lead with the soldering iron tip as the solder melts.
2. Draw away the melted solder with an anti-static suction-type solder removal device (or with solder braid) before removing the IC.

Replacement

1. Carefully insert the replacement IC in the circuit board.
2. Carefully bend each IC lead against the circuit foil pad and solder it.
3. Clean the soldered areas with a small wire-bristle brush. (It is not necessary to reapply acrylic coating to the areas).

"Small-Signal" Discrete Transistor

Removal/Replacement

1. Remove the defective transistor by clipping its leads as close as possible to the component body.
2. Bend into a "U" shape the end of each of three leads remaining on the circuit board.
3. Bend into a "U" shape the replacement transistor leads.
4. Connect the replacement transistor leads to the corresponding leads extending from the circuit board and crimp the "U" with long nose pliers to insure metal to metal contact then solder each connection.

Power Output, Transistor Device

Removal/Replacement

1. Heat and remove all solder from around the transistor leads.
2. Remove the heat sink mounting screw (if so equipped).
3. Carefully remove the transistor from the heat sink of the circuit board.
4. Insert new transistor in the circuit board.
5. Solder each transistor lead, and clip off excess lead.
6. Replace heat sink.

Diode Removal/Replacement

1. Remove defective diode by clipping its leads as close as possible to diode body.
2. Bend the two remaining leads perpendicular y to the circuit board.
3. Observing diode polarity, wrap each lead of the new diode around the corresponding lead on the circuit board.
4. Securely crimp each connection and solder it.
5. Inspect (on the circuit board copper side) the solder joints of the two "original" leads. If they are not shiny, reheat them and if necessary, apply additional solder.

Fuse and Conventional Resistor

Removal/Replacement

1. Clip each fuse or resistor lead at top of the circuit board hollow stake.
2. Securely crimp the leads of replacement component around notch at stake top.
3. Solder the connections.

CAUTION: Maintain original spacing between the replaced component and adjacent components and the circuit board to prevent excessive component temperatures.

Circuit Board Foil Repair

Excessive heat applied to the copper foil of any printed circuit board will weaken the adhesive that bonds the foil to the circuit board causing the foil to separate from or "lift-off" the board. The following guidelines and procedures should be followed whenever this condition is encountered.

At IC Connections

To repair a defective copper pattern at IC connections use the following procedure to install a jumper wire on the copper pattern side of the circuit board. (Use this technique only on IC connections).

1. Carefully remove the damaged copper pattern with a sharp knife. (Remove only as much copper as absolutely necessary).
2. Carefully scratch away the solder resist and acrylic coating (if used) from the end of the remaining copper pattern.
3. Bend a small "U" in one end of a small gauge jumper wire and carefully crimp it around the IC pin. Solder the IC connection.
4. Route the jumper wire along the path of the out-away copper pattern and let it overlap the previously scraped end of the good copper pattern. Solder the overlapped area and clip off any excess jumper wire.

At Other Connections

Use the following technique to repair the defective copper pattern at connections other than IC Pins. This technique involves the installation of a jumper wire on the component side of the circuit board.

1. Remove the defective copper pattern with a sharp knife.

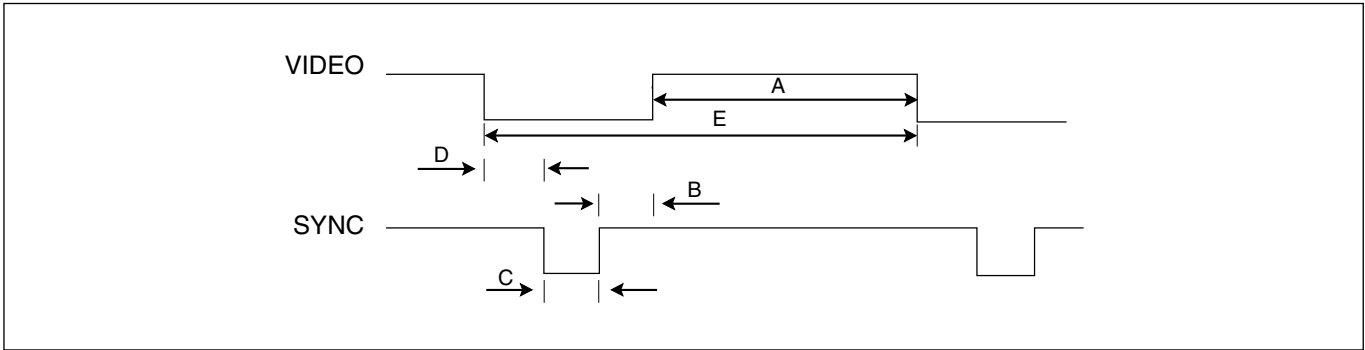
Remove at least 1/4 inch of copper, to ensure that a hazardous condition will not exist if the jumper wire opens.

2. Trace along the copper pattern from both sides of the pattern break and locate the nearest component that is directly connected to the affected copper pattern.
3. Connect insulated 20-gauge jumper wire from the lead of the nearest component on one side of the pattern break to the lead of the nearest component on the other side.

Carefully crimp and solder the connections.

CAUTION: Be sure the insulated jumper wire is dressed so the it does not touch components or sharp edges.

TIMING CHART



MODE	H / V	Sync Polarity	Dot Clock	Frequency	Total Period (E)	Video Active Time (A)	Sync Duration (D)	Front Porch (C)	Blanking Time (B)	Resolution
1	H(Pixels)	+	25.175	31.469	800	640	16	96	48	640 x 350
	V(Lines)	-		70.09	449	350	37	2	60	
2	H(Pixels)	-	28.321	31.468	900	720	18	108	54	720 X 400
	V(Lines)	+		70.08	449	400	12	2	35	
3	H(Pixels)	-	25.175	31.469	800	640	16	96	48	640 x 480
	V(Lines)	-		59.94	525	480	10	2	33	
4	H(Pixels)	-	31.5	37.5	840	640	16	64	120	640 x 480
	V(Lines)	-		75	500	480	1	3	16	
5	H(Pixels)	+	40.0	37.879	1056	800	40	128	88	800 x 600
	V(Lines)	+		60.317	628	600	1	4	23	
6	H(Pixels)	+	49.5	46.875	1056	800	16	80	160	800 x 600
	V(Lines)	+		75.0	625	600	1	3	21	
7	H(Pixels)	+/-	57.283	49.725	1152	832	32	64	224	832 x 624
	V(Lines)	+/-		74.55	667	624	1	3	39	
8	H(Pixels)	-	65.0	48.363	1344	1024	24	136	160	1024 x 768
	V(Lines)	-		60.0	806	768	3	6	29	
9	H(Pixels)	-	78.75	60.123	1312	1024	16	96	176	1024 x 768
	V(Lines)	-		75.029	800	768	1	3	28	
10	H(Pixels)	+/-	100.0	68.681	1456	1152	32	128	144	1152 x 870
	V(Lines)	+/-		75.062	915	870	3	3	39	
11	H(Pixels)	+/-	92.978	61.805	1504	1152	18	134	200	1152 x 900
	V(Lines)	+/-		65.96	937	900	2	4	31	
12	H(Pixels)	+	108.0	63.981	1688	1280	48	112	248	1280 x 1024
	V(Lines)	+		60.02	1066	1024	1	3	38	
13	H(Pixels)	+	135.0	79.976	1688	1280	16	144	248	1280 x 1024
	V(Lines)	+		75.035	1066	1024	1	3	38	

DISASSEMBLY-Set

1



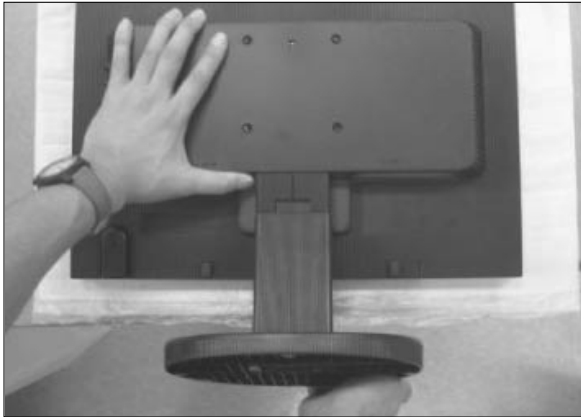
Soft pad on the table.

2



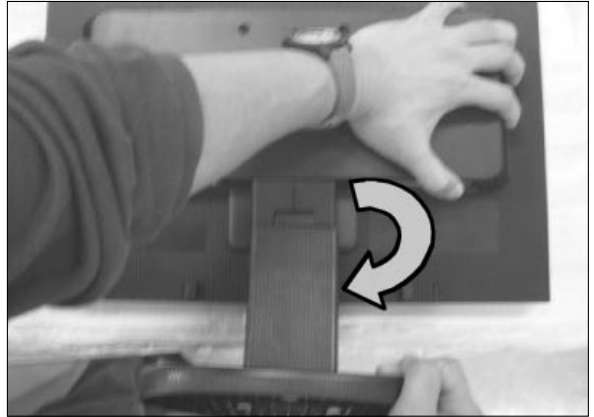
Monitor on the pad.

3



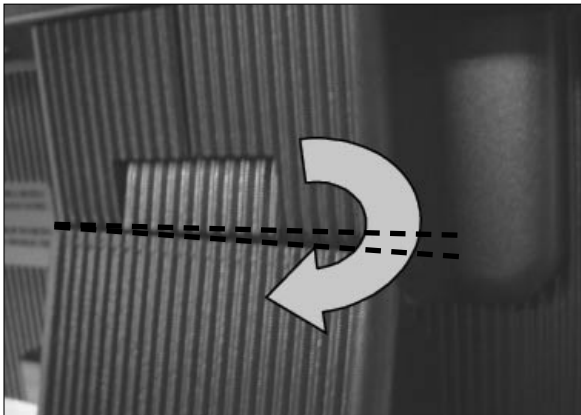
Pull up the stand part.

4-1



Hold the head & stand base and then
Twist Stand until "Click".

4-2

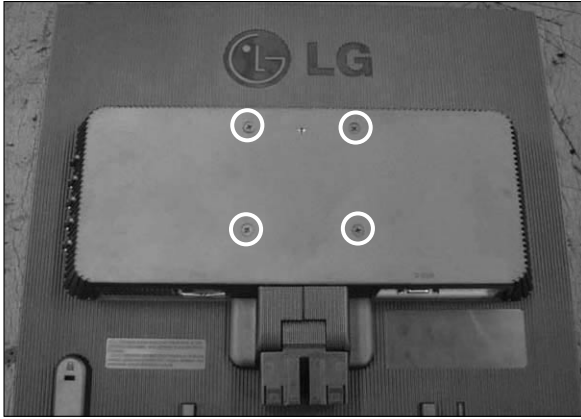


5



Separate head & stand

6



Remove the screws.

7

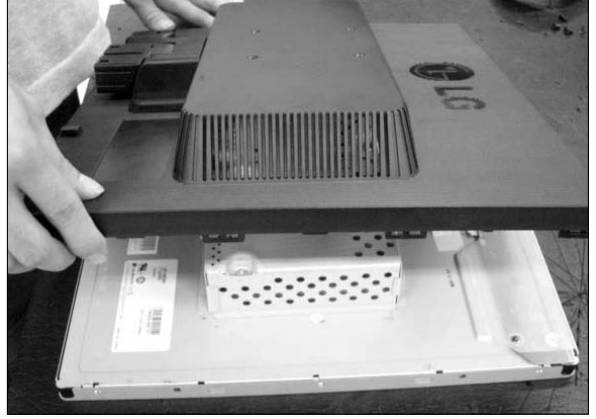


1. Pull the front cover upward.
2. Then, let the all latches are separated.(#3-1~3-2)
3. Put the front face down.

8



9

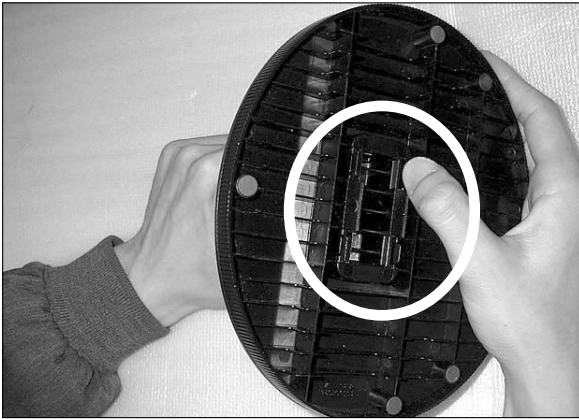


Disassemble back cover.

DISASSEMBLY-Stand

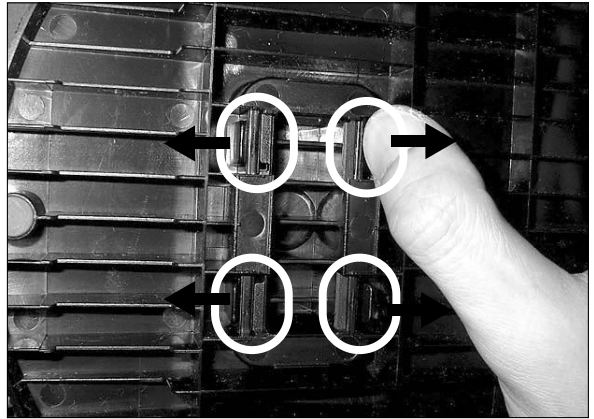
* In case of Latch 4.

1-1

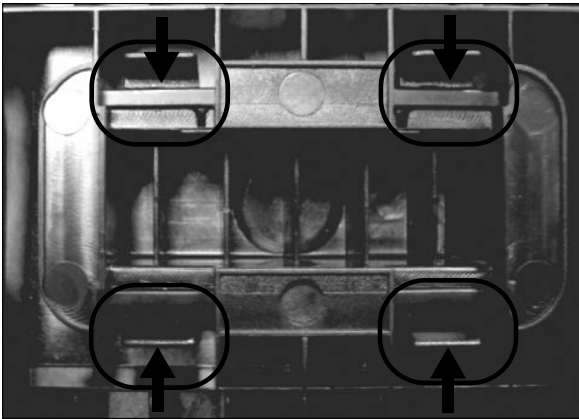


Push the four latches on the bottom to the outside and Separate Stand Body & Base.
(Reference the #1-2)

1-2

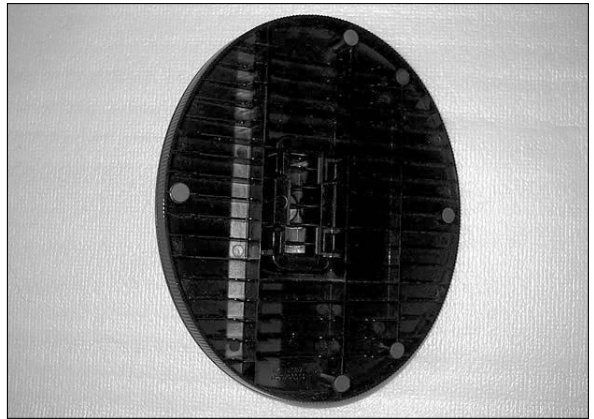


2



After finished repair, necessarily push 4ea Latches to inside for restoration.

3



DISASSEMBLY-Stand

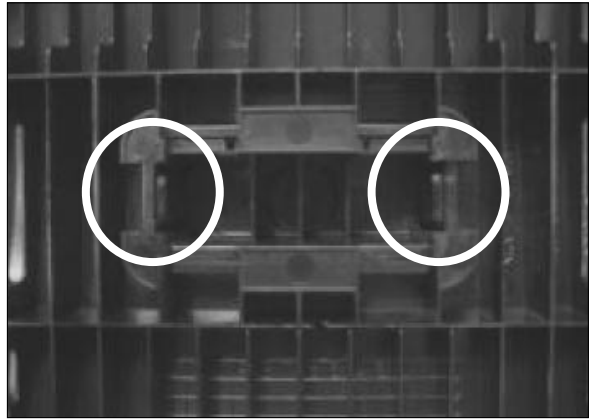
* In case of Latch 2.

1



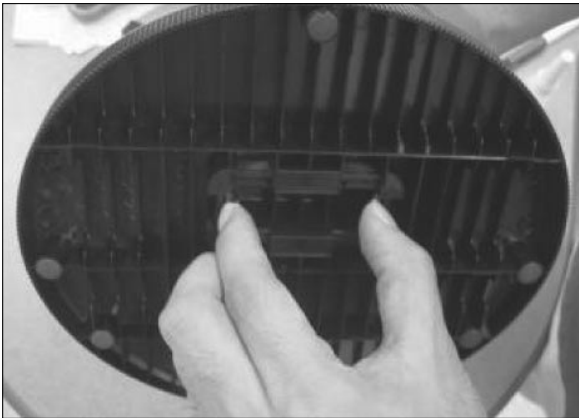
Hold the stand body.

2



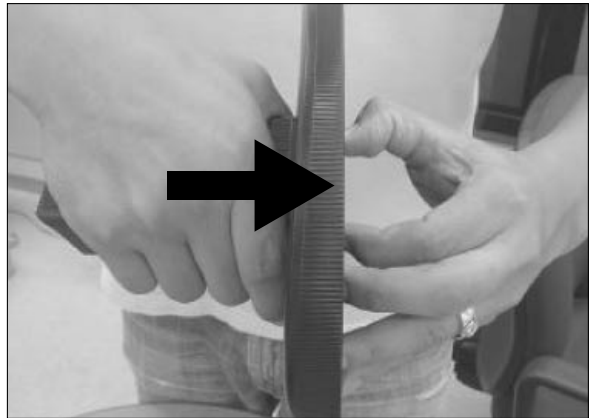
Confirm two latch of right and left.

3



Push the latch to the inside.

4



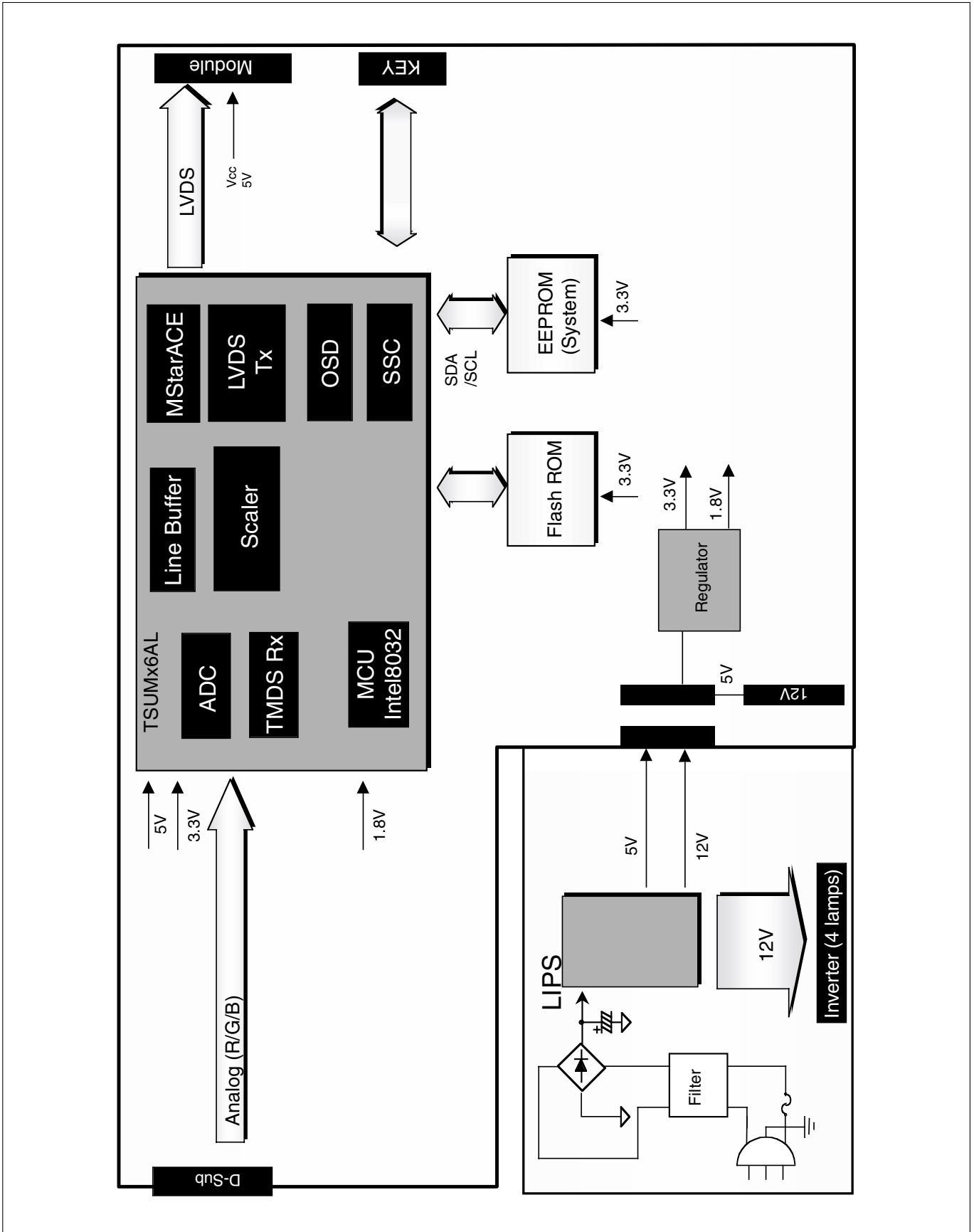
Push the base to the opposite direction.

5

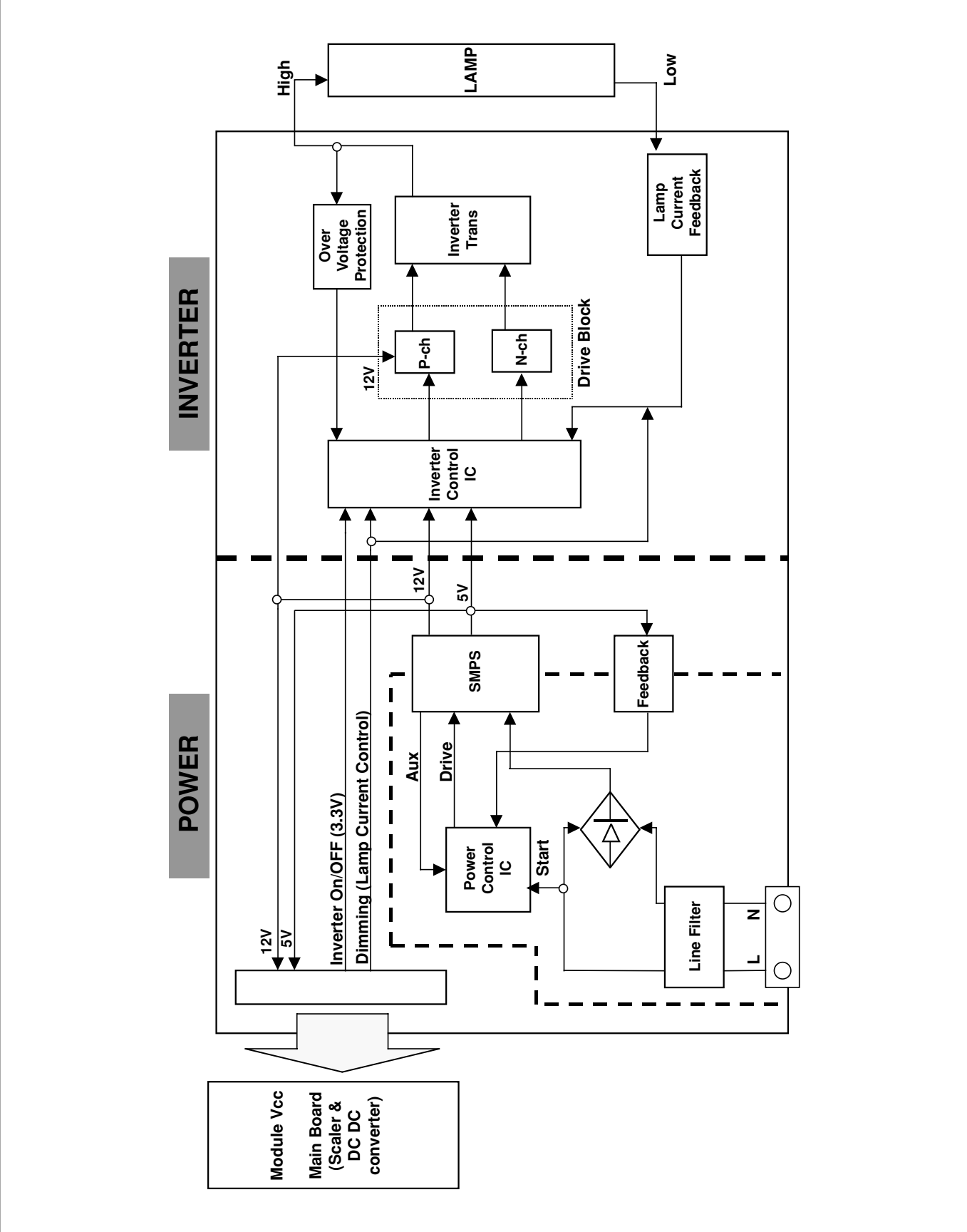


Confirm the condition of separation.

BLOCK DIAGRAM



BLOCK DIAGRAM-POWER



DESCRIPTION OF BLOCK DIAGRAM

1. Video Controller Part.

This part amplifies the level of video signal for the digital conversion and converts from the analog video signal to the digital video signal using a pixel clock.

The pixel clock for each mode is generated by the PLL.

The range of the pixel clock is from 25MHz to 135MHz.

This part consists of the Scaler, ADC convertor, TMDS receiver and LVDS transmitter.

The Scaler gets the video signal converted analog to digital, interpolates input to 1280 X 1024 resolution signal and outputs 8-bit R, G, B signal to transmitter.

2. Power Part.

This part consists of the one 3.3V, and one 1.8V regulators to convert power which is provided 5V in Power board.

12V is provided for inverter, 5V is provided for LCD panel.

Also, 5V is converted 3.3V and 1.8V by regulator. Converted power is provided for IC in the main board.

The inverter converts from DC12V to AC 700Vrms and operates back-light lamps of module.

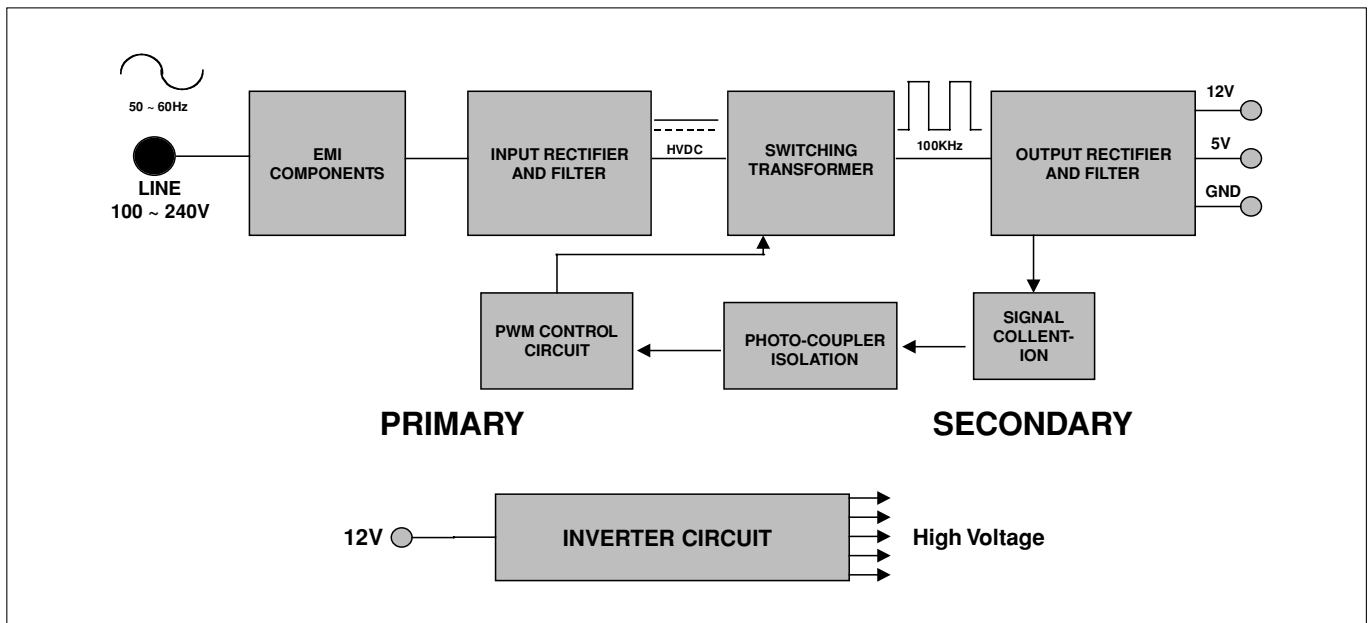
3. MICOM Part.

This part is include video controller part. And this part consists of EEPROM IC which stores control data, Reset IC and the Micom.

The Micom distinguishes polarity and frequency of the H/V sync are supplied from signal cable.

The controlled data of each modes is stored in EEPROM.

LIPS Board Block Diagram



Operation description_LIPS

1. EMI components.
This part contains of EMI components to comply with global marketing EMI standards like FCC,VCCI CISPR, the circuit included a line-filter, across line capacitor and of course the primary protection fuse.
2. Input rectifier and filter.
This part function is for transfer the input AC voltage to a DC voltage through a bridge rectifier and a bulk capacitor.
3. Energy Transfer.
This part function is for transfer the primary energy to secondary through a power transformer.
4. Output rectifier and filter.
This part function is to make a pulse width modulation control and to provide the driver signal to power switch, to adjust the duty cycle during different AC input and output loading condition to achieve the dc output stabilized, and also the over power protection is also monitor by this part.
5. Photo-Coupler isolation.
This part function is to feed back the DC output changing status through a photo transistor to primary controller to achieve the stabilized DC output voltage.
6. Signal collection.
This part function is to collect the any change from the DC output and feed back to the primary through photo transistor.

ADJUSTMENT

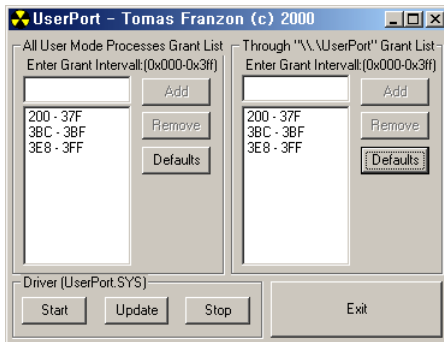
Windows EDID V1.0 User Manual

Operating System: MS Windows 98, 2000, XP
 Port Setup: Windows 98 => Don't need setup
 Windows 2000, XP => Need to Port Setup.

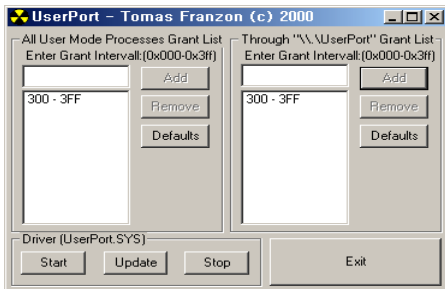
This program is available to LCD Monitor only.

1. Port Setup

- a) Copy "UserPort.sys" file to "c:\WINNT\system32\drivers" folder
- b) Run Userport.exe



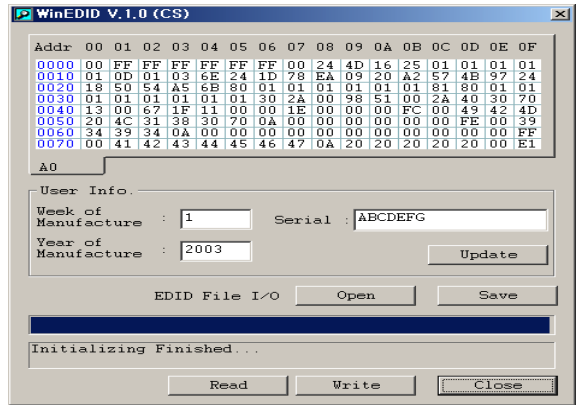
- c) Remove all default number
- d) Add 300-3FF



- e) Click Start button.
- f) Click Exit button.

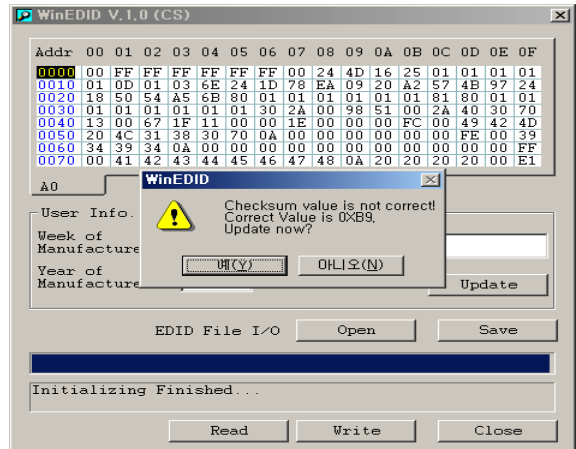
2. EDID Read & Write

1) Run WinEDID.exe



2) Edit Week of Manufacture, Year of Manufacture, Serial Number

- a) Input User Info Data
- b) Click "Update" button
- c) Click "Write" button



SERVICE OSD

- 1) Turn off the power switch at the front side of the display.
- 2) Wait for about 5 seconds and press MENU, POWER switch with 1 second interval.
- 3) The SVC OSD menu contains additional menus that the User OSD menu as described below.
 - a) Auto Color : W/B balance and Automatically sets the gain and offset value.
 - b) NVRAM INIT : EEPROM initialize.(24C08)
 - c) CLEAR ETI : To initialize using time.
 - d) AGING : Select Aging mode(on/off).
 - e) R/G/B-9300K : Allows you to set the R/G/B-9300K value manually.
 - f) R/G/B-6500K : Allows you to set the R/G/B-6500K value manually.
 - g) R/G/B-Offset : Allows you to set the R/G/B-Offset value manually.(Analog Only)
 - h) R/G/B-Gain : Allows you to set the R/G/B-Gain value manually.(Analog Only)
 - i) MODULE : To select applied module.

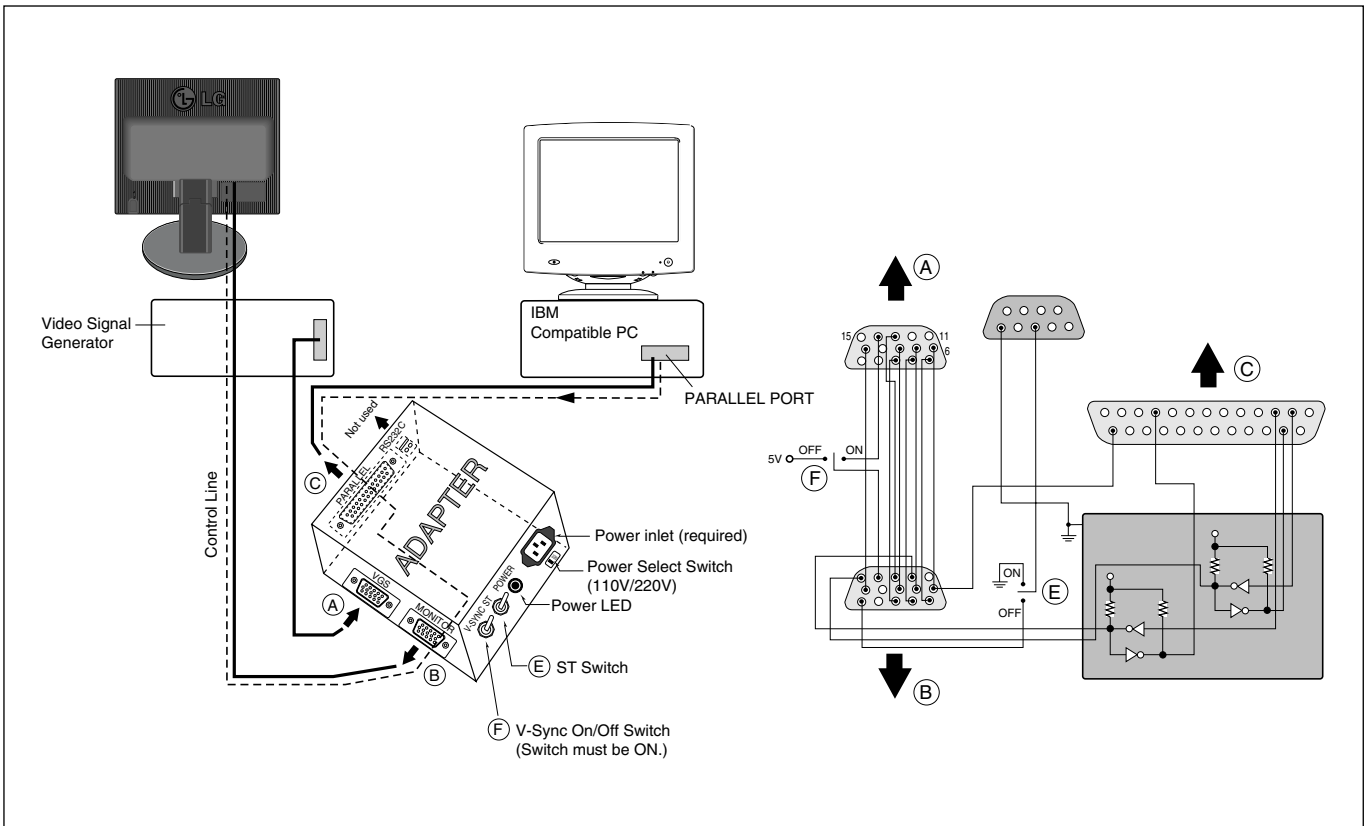
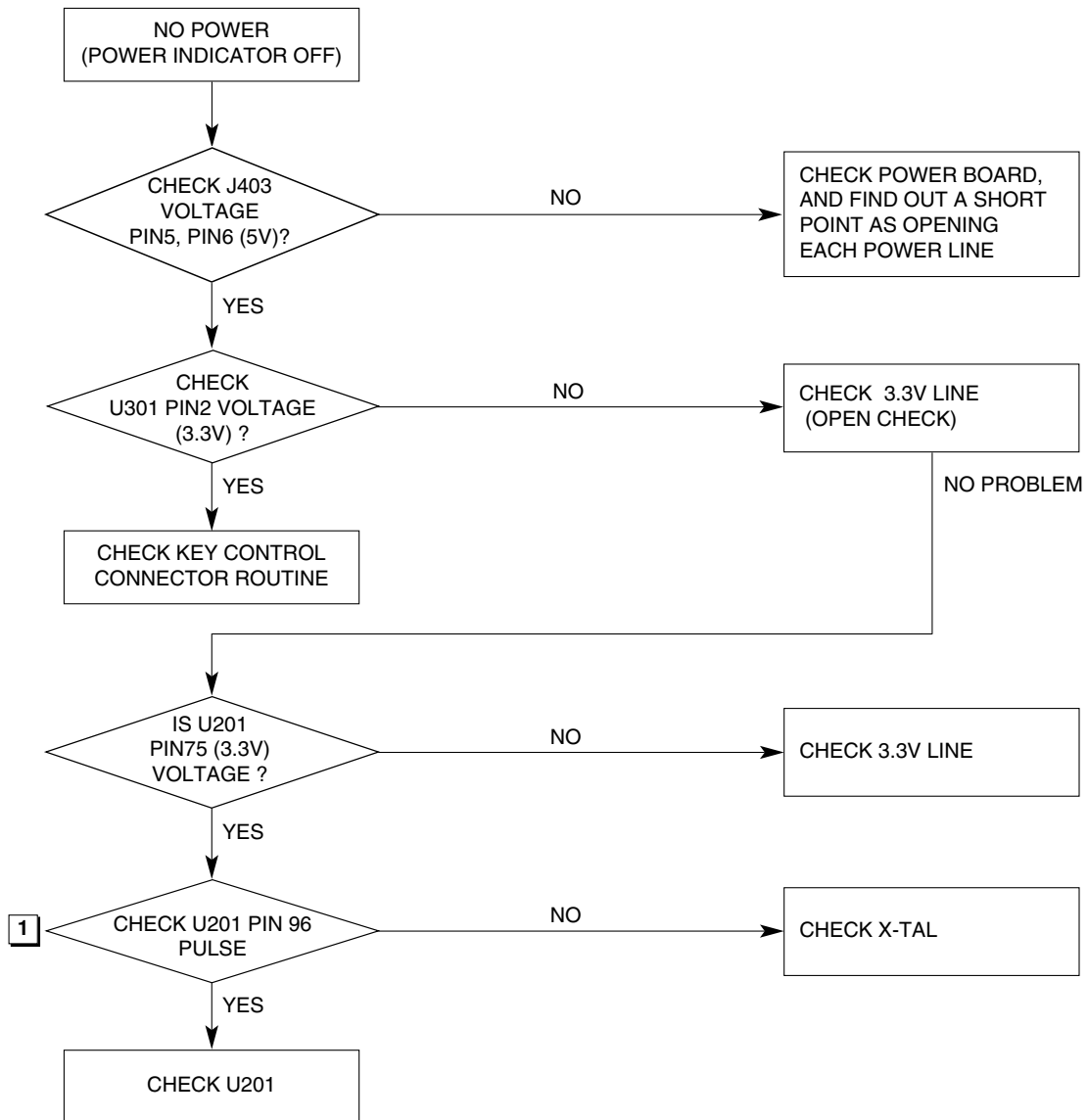


Figure 1. Cable Connection

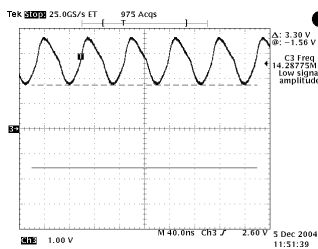
TROUBLESHOOTING GUIDE

1. NO POWER

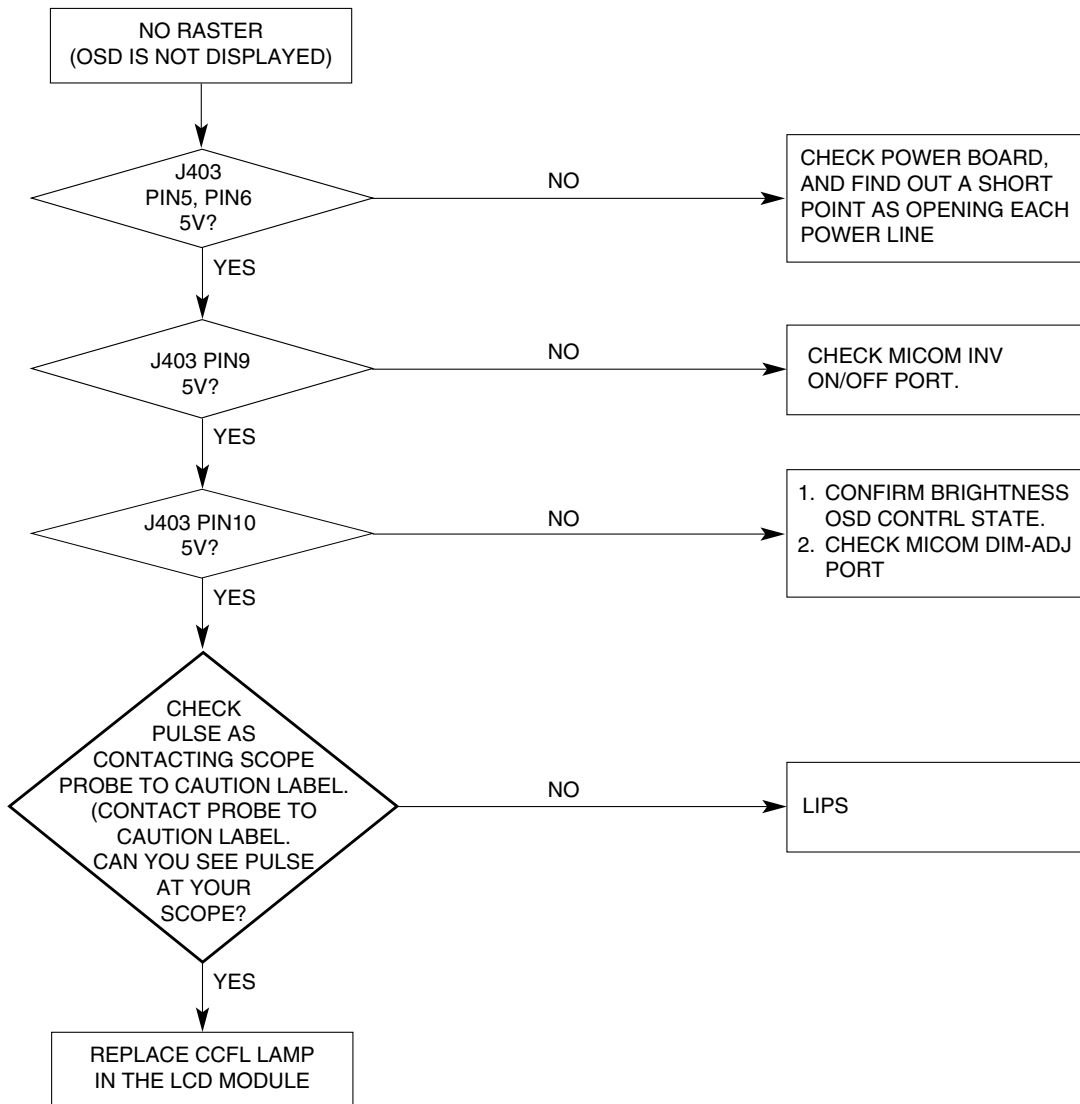


Waveforms

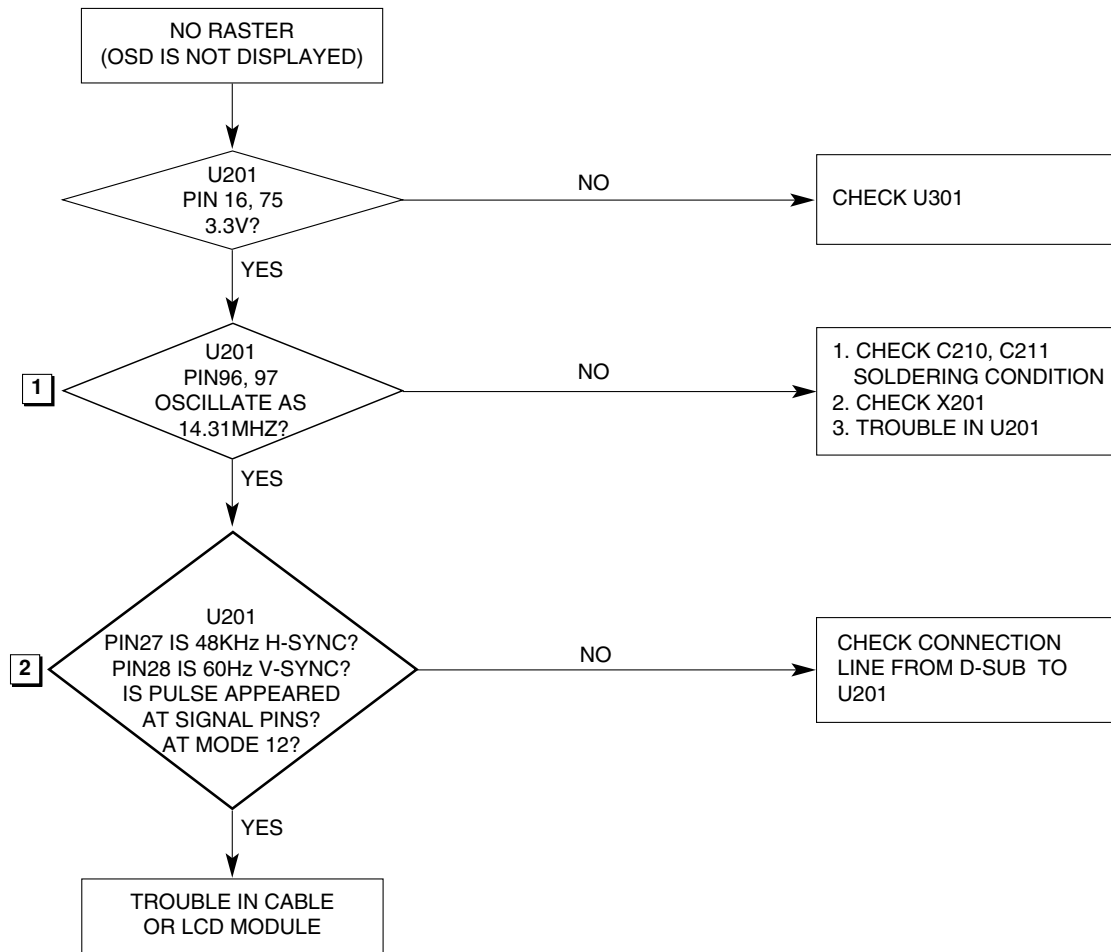
1 U201-#96



2. NO RASTER (OSD IS NOT DISPLAYED) – LIPS

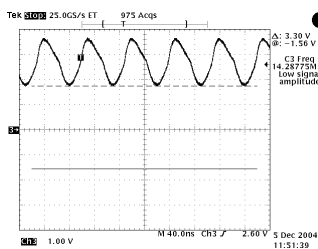


3. NO RASTER (OSD IS NOT DISPLAYED) – MSTAR

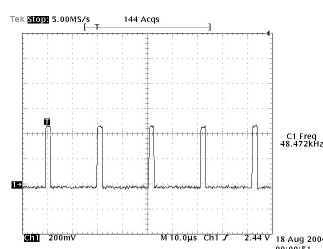


Waveforms

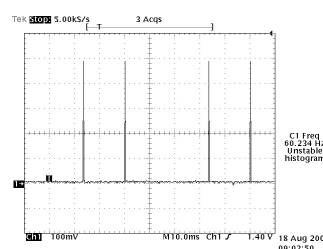
1 U201-#96, 97



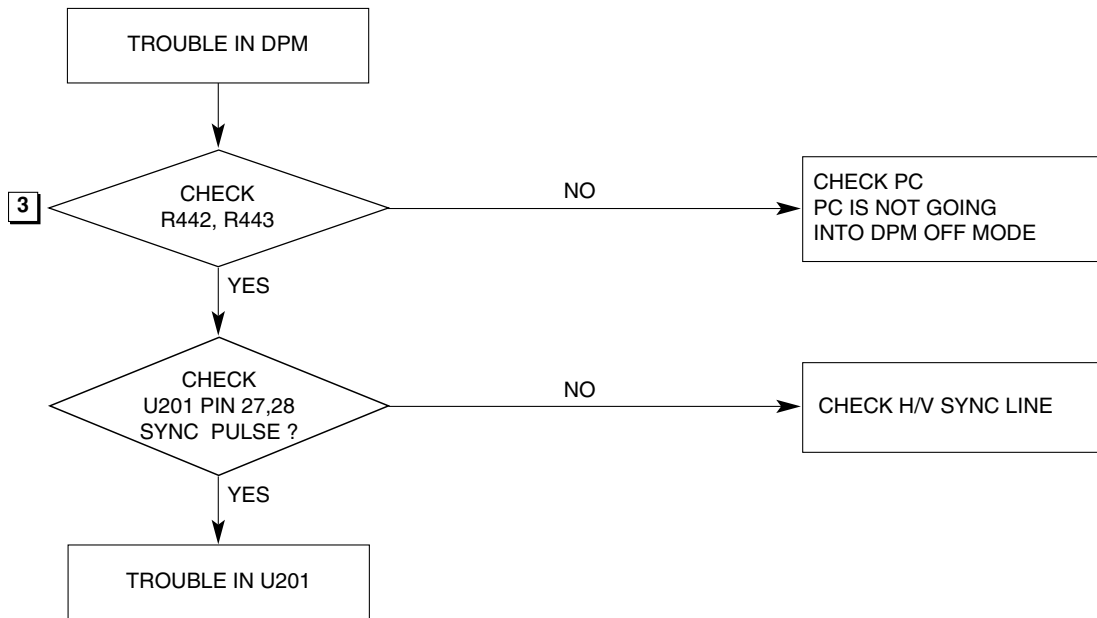
2 U201-#27 H-SYNC



2 U201-#28 V-SYNC

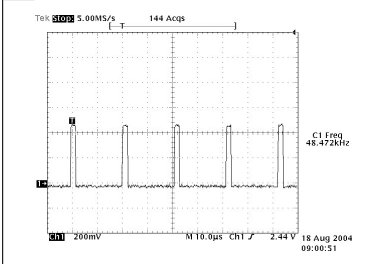


4. TROUBLE IN DPM

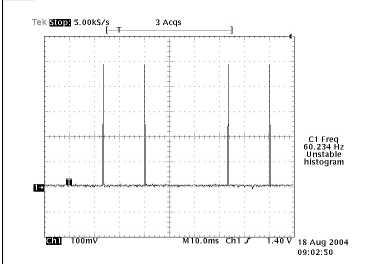


Waveforms

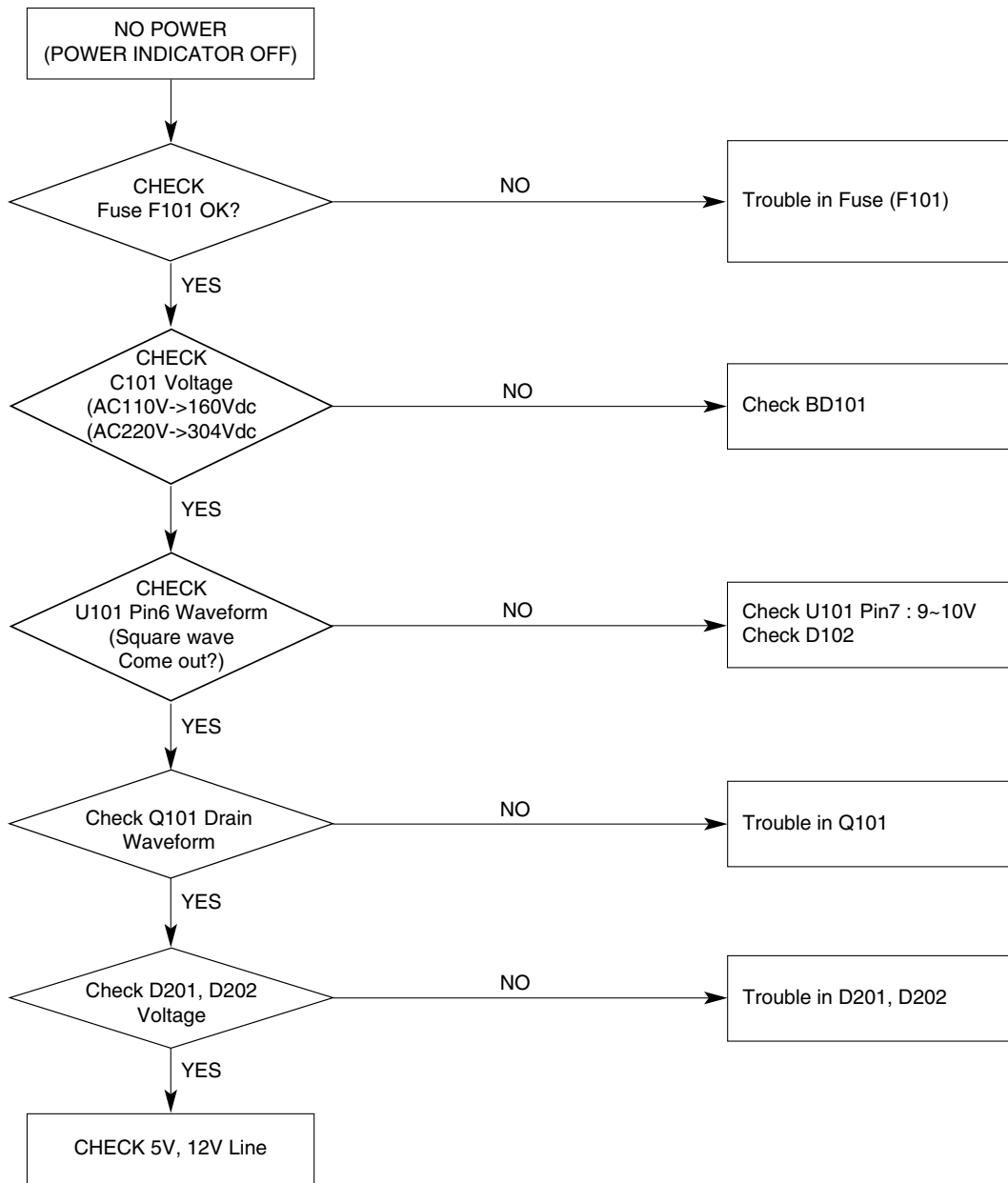
3 R442 H-Sync



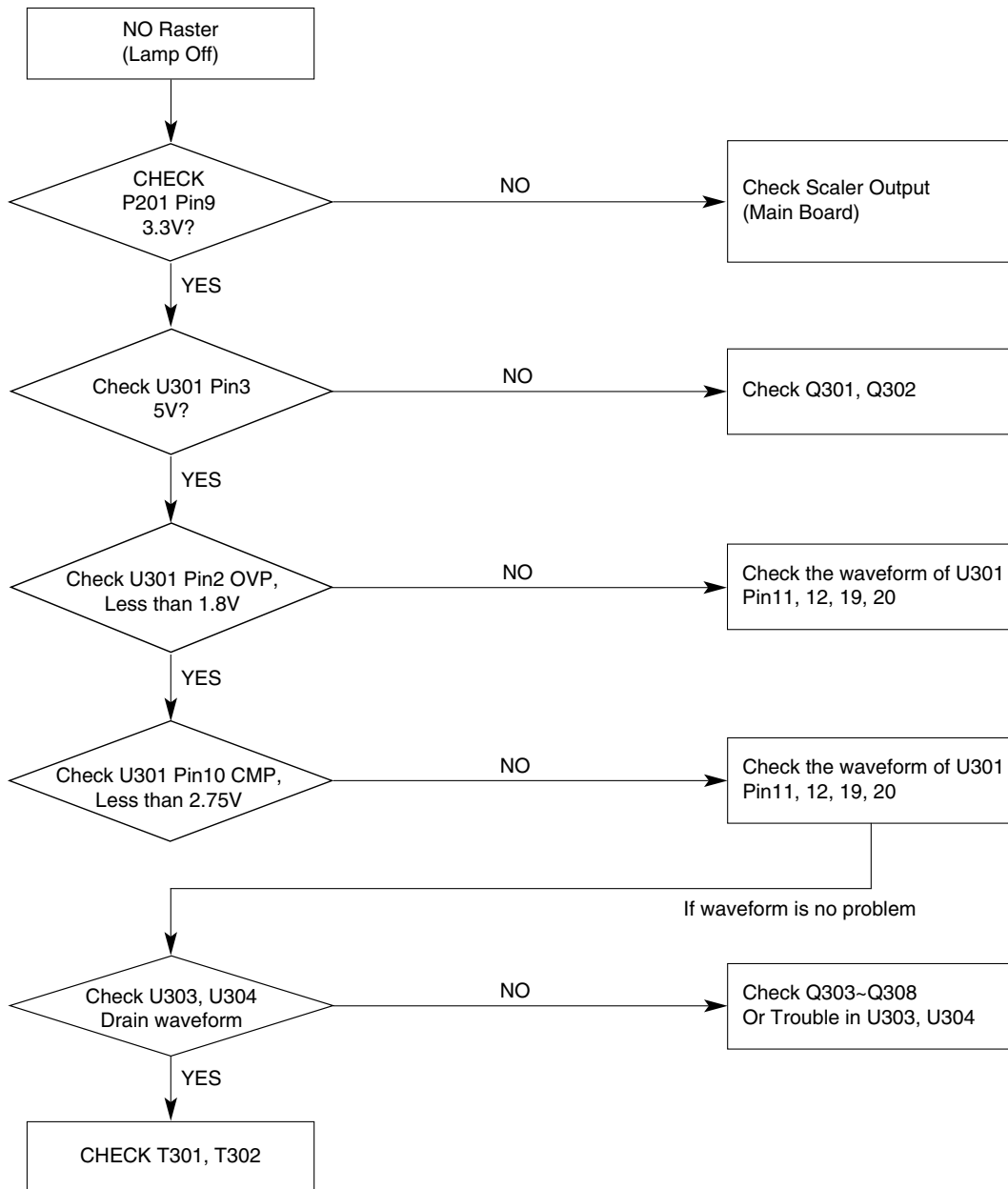
3 R443 V-Sync



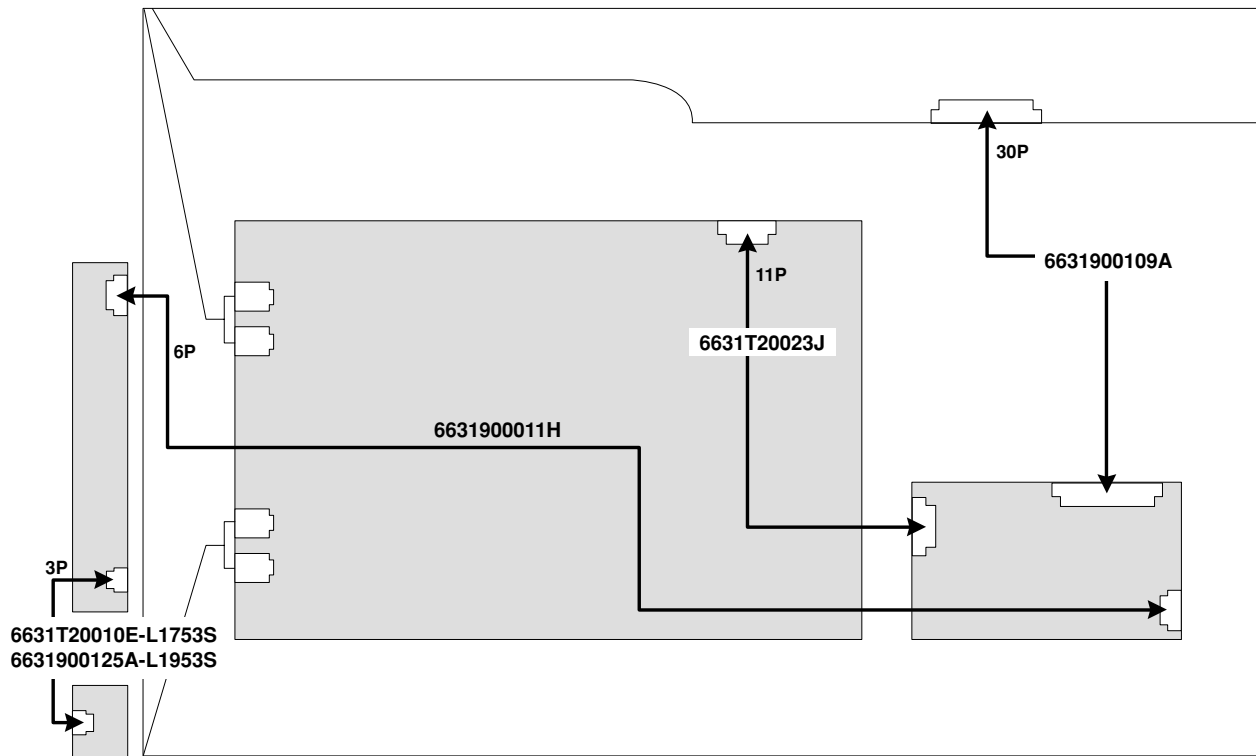
5. POWER



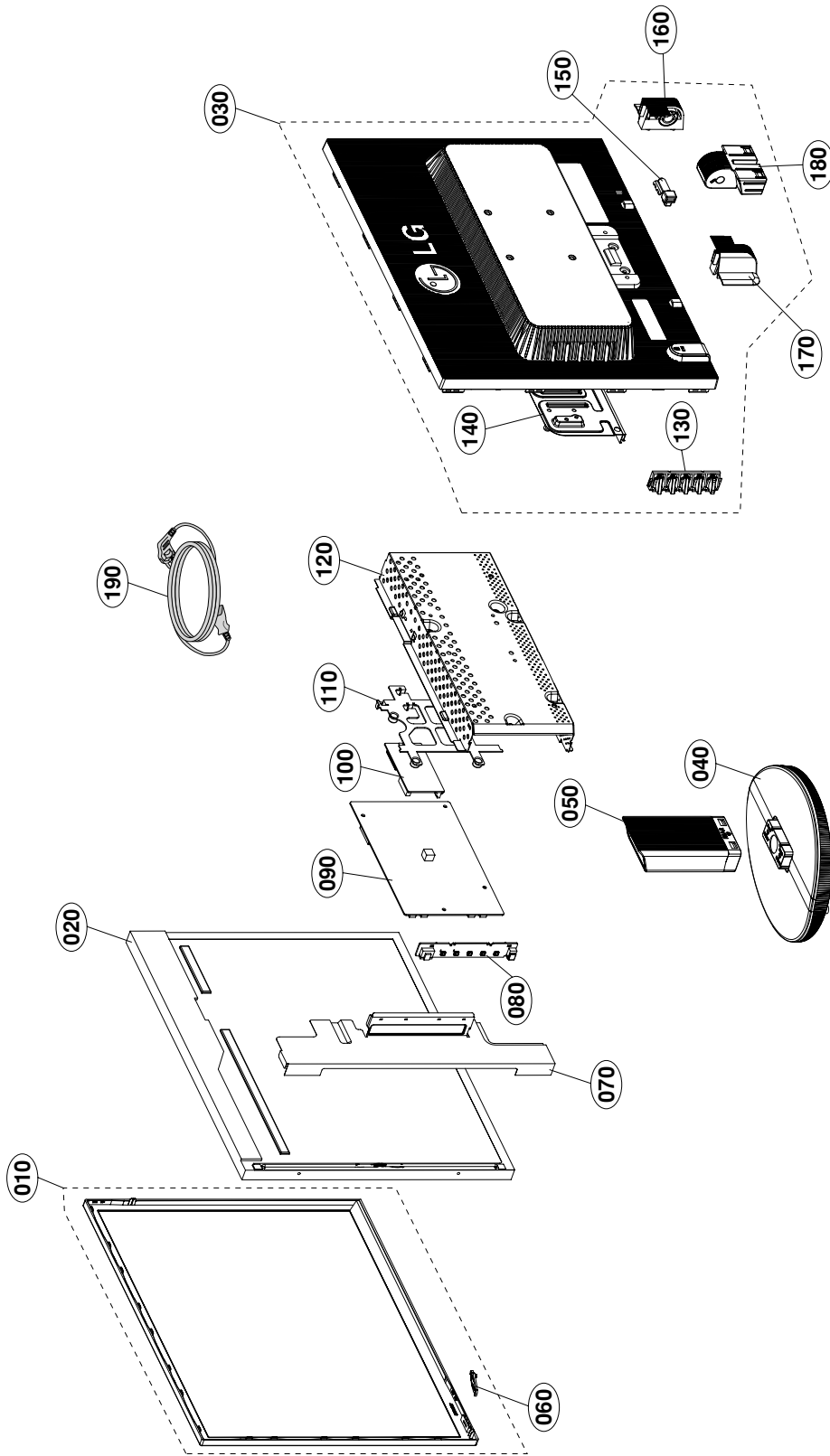
6. Raster



WIRING DIAGRAM



EXPLODED VIEW



EXPLODED VIEW PARTS LIST

* Note: Safety mark \triangle

Ref. No.	Part No.	Description
010	ABJ32220402	Cabinet Assembly, L1753 . 17" NEW PATTERN TEXTURE FOR 30919C0018B
	ABJ32220426	Cabinet Assembly, L1753 . 17" NEW PATTERN TEXTURE FOR 30919C0029B- Only Australia
	ABJ32229402	Cabinet Assembly, L1953 . 19" NEW PATTERN TEXTURE FOR 30919C0019B
	ABJ32229426	Cabinet Assembly, L1953 . 19" NEW PATTERN TEXTURE FOR 30919C0030B- Only Australia
020	EAJ32188801	LCD,Module-TFT, LM170E03-TLB3 DRIVER 17.0INCH 1280X1024 300CD COLOR 72% 5/4 800 VS 1 5MS, 160/160, 4LAMP, 2CH-LVDS LG PHILIPS LCD .
	6304FBH007C	LCD,Module-TFT, HT170E01-101 DRIVER 17.0INCH 1280X1024 300CD COLOR 75% 4/3 450 - BOE HYDIS TECHNOLOGY
	EAJ32189001	LCD,Module-TFT, LM190E08-TLB2 DRIVER 19.0INCH 1280X1024 300CD COLOR 72% 5/4 800:1 P7 FACTORY 5MS, 160/160, 2CH-LVDS, 4LAMP LG PHILIPS LCD .
030	3809900177A	Cover Assembly, L1752 NON BACK COVER ASSY MODULE-LPL-ANALOG
	3809900177K	Cover Assembly, L1752S NON BACK COVER ASSY MODULE-HYDIS-ANALOG+NORMAL STAND
	3809900178A	Cover Assembly, L1952S NON BACK COVER ASSY MODULE-LPL-ANALOG
040	AAN32608901	Base Assembly, ASSY Lx53 LM57B Lx53 PATTERN TEXTURE(3043900041J)
050	35509K0245D	Cover, MOLD ABS L1752 ABS L1752 NEW BODY
	35509K0246D	Cover, MOLD ABS L1952 ABS L1952 NEW BODY
060	3520900038A	Indicator, LED&PRE AMP LX52 PMMA NON LED LENS
070	49509K0266B	Plate, SHIELD LX52 LAMP A-CKD- L1753S
	49509K0267B	Plate, SHIELD L1919 LAMP MODULE-AUOM190EG02- L1953S
080	68719STA24E	PCB Assembly,Sub, SUB T.T LM57A L1X52T/S /H /HM KXRQPT - L1753S
	68719STA24F	PCB Assembly,Sub, SUB T.T LM57A L19XXT/S /H /HM KXRQPT - L1953S
090	6709900027A	SMPS,AC/DC, AIVP 100VTO240V 40W 50TO60HZ UL/CSA/VDE/SEV/SEMKO/FIMKO/IMQ/OVE/BSI WORLD WIDE LIEN CHANG
100	33139L7032C	Main Total Assembly, L1752S -BFQ.KXRQPT BRAND NT CKD LM57A TSUM16AWL 14LANGUAGE
	33139L9040C	Main Total Assembly, L1952S -BFQ.KXRQPT NT CKD BRAND LM57A TSUM16AWL 14LANGUAGE
110	35509K0247A	Cover, MOLD ABS AF-320T L1752TX ABS .
120	49509S0034A	Plate, PRESS H-GI 0.8MM REAR HGI SHIELD LX52/ LX19 SERIES
130	4940900022A	Knob, MAIN 5KEY LX52 TACK KNOB
140	49509K0262A	Plate, SUPPORT L1752 BRACKET
150	49519K0137A	Plate Assembly, ASSY STAND HINGE ASSY FOR LX52S/T
160	35509K0243A	Cover, LX52 HINGE L
170	35509K0242A	Cover, LX52 HINGE R
180	35509K0244A	Cover, LX52 HINGE COVER BODY
190	6410TEW010A	Power Cord, CEE,LP-34A&H05VV-FX3C,LS-60_1.87M_BLK LP-34A LS-60 1.87M NONE 250V 16A H05VV-F 3X0.75MM2 BLACK VDE SEMKO N LONGWELL COMPANY-For Europe,Morocco,Indonesia,Vietnam
	or 64109EP003A	Power Cord, 64109EP003A SP-023 IS-14 1.87M NONE 250V 16A H05VV-F3G0.75MM2 BLACK VDE KEMA-KEUR OVE CECEC809 N I-SHENG ELECTRIC WIRE & PLASTIC (KUNSHAN)-For Europe,Morocco,Indonesia,Vietnam
	6410TSW003A	Power Cord, LP-23A+SAG18N<B10A&LS-13_1.87M_BLK LP-23A LS-13 1.87M - 250V 7.5A GFC-3R 3X0.75MM2 BLACK SAA N LONGWELL ELECTRONICS (SUZHOU)COMPANY-For Australia
	6410TBW004A	Power Cord, LP-61L+GFC18N+<B90A+LS-60_1.87M_BLK LP-61L LS-60 1.87M NONE 250V 10A H05VV-F 3X0.75MM2 BLACK BSI N LONGWELL ELECTRONICS (SUZHOU)COMPANY-For Malaysia,Singapore
	or 6410TBW001B	Power Cord, SP60 IS14,H05VV-F 3GX0.75mm2 CT-12_1.87M_BLK SP-60 IS-14 1.87M NONE 250V 10A H05VV-F 3X0.75MM2 BLACK BSI N I-SHENG ELECTRIC WIRE & CABLE CO., LTD.-For Malaysia,Singapore
	6410TUW008A	Power Cord, UL_CSA,LP-31 & SVT 18X3C, LS-13_1.87M_BLK LP-31 LS-13 1.87M - 125V 10A SVT 3XAWG18 BLACK UL CSA N-For Philippines
	or 6410TUW007A	Power Cord, 6410TUW007A SP305 IS14 1.87M NONE 125V 10A SVT 18AWGX3C BLACK UL/CSA N I-SHENG ELECTRIC WIRE & CABLE CO., LTD.-For Philippines
	or 6410TUW002F	Power Cord, SP305 IS14 SVT 18AWGX3 CT-12_1.87M_BLK SP-305 IS-14 1.87M - 125V 10A SVT 3XAWG18 BLACK UL CSA N-For Philippines

REPLACEMENT PARTS LIST

CAUTION: BEFORE REPLACING ANY OF THESE COMPONENTS,
READ CAREFULLY THE **SAFETY PRECAUTIONS** IN THIS MANUAL.
MAIN BOARD AND POWER BOARD PARTS ARE DIFFERENT.

* NOTE : **S** SAFETY Mark
AL ALTERNATIVE PARTS

DATE: 2007. 01. 23.			
*S	*AL	LOC. NO.	PART NO. DESCRIPTION / SPECIFICATION
MAIN BOARD			
CAPACITORS			
		C201	0CK104CK56A 0603B104K500CT 100nF 10% 50V
		C203	0CK473CK56A C1608X7R1H473KT 47nF 10% 50V
		C204	0CK473CK56A C1608X7R1H473KT 47nF 10% 50V
		C205	0CK473CK56A C1608X7R1H473KT 47nF 10% 50V
		C206	0CK473CK56A C1608X7R1H473KT 47nF 10% 50V
		C207	0CC102CK41A C1608C0G1H102JT 1nF 5% 50V C
		C208	0CK473CK56A C1608X7R1H473KT 47nF 10% 50V
		C209	0CK473CK56A C1608X7R1H473KT 47nF 10% 50V
		C210	0CC220CK41A C1608C0G1H220JT 22pF 5% 50V
		C211	0CC220CK41A C1608C0G1H220JT 22pF 5% 50V
		C213	0CK104CK56A 0603B104K500CT 100nF 10% 50V
		C215	0CE106CF638 SHL5.0TP16VB10M 10uF 20% 16V
		C216	0CK104CK56A 0603B104K500CT 100nF 10% 50V
		C217	0CK104CK56A 0603B104K500CT 100nF 10% 50V
		C218	0CK104CK56A 0603B104K500CT 100nF 10% 50V
		C219	0CK104CK56A 0603B104K500CT 100nF 10% 50V
		C220	0CK104CK56A 0603B104K500CT 100nF 10% 50V
		C221	0CK104CK56A 0603B104K500CT 100nF 10% 50V
		C222	0CK104CK56A 0603B104K500CT 100nF 10% 50V
		C223	0CK104CK56A 0603B104K500CT 100nF 10% 50V
		C224	0CK104CK56A 0603B104K500CT 100nF 10% 50V
		C225	0CK104CK56A 0603B104K500CT 100nF 10% 50V
		C226	0CK104CK56A 0603B104K500CT 100nF 10% 50V
		C227	0CK104CK56A 0603B104K500CT 100nF 10% 50V
		C228	0CK104CK56A 0603B104K500CT 100nF 10% 50V
		C229	0CK104CK56A 0603B104K500CT 100nF 10% 50V
		C230	0CK104CK56A 0603B104K500CT 100nF 10% 50V
		C301	0CE107EF610 KMG16VB100M 100uF 20% 16V 12
		C302	0CK103CK51A 0603B103K500CT 10nF 10% 50V
		C303	0CC102CK41A C1608C0G1H102JT 1nF 5% 50V C
		C304	0CK105CD56A C1608X7R1A105KT 1uF 10% 10V
		C305	0CE107EF610 KMG16VB100M 100uF 20% 16V 12
		C306	0CE477EF638 KMG5.0TP16VB470M 470uF 20% 1
		C408	0CK103CK51A 0603B103K500CT 10nF 10% 50V
		C409	0CK103CK51A 0603B103K500CT 10nF 10% 50V
		C410	0CK104CK56A 0603B104K500CT 100nF 10% 50V
		C411	0CK105CD56A C1608X7R1A105KT 1uF 10% 10V
		C412	0CC101CK41A C1608C0G1H101JT 100pF 5% 50V
		C425	0CC680CK41A C1608C0G1H680JT 68pF 5% 50V
		C426	0CC680CK41A C1608C0G1H680JT 68pF 5% 50V
		C427	0CC680CK41A C1608C0G1H680JT 68pF 5% 50V
		C428	0CC680CK41A C1608C0G1H680JT 68pF 5% 50V
DIODES			
		D416	0DS226009AA KDS226 1.2V 85V 300MA 2A 4NS
		D417	0DS226009AA KDS226 1.2V 85V 300MA 2A 4NS
		D418	0DS226009AA KDS226 1.2V 85V 300MA 2A 4NS
		ZD410	0DZ560009GB BZT52C5V6S-(F) 5.6V 5.2TO6V
		ZD411	0DZ560009GB BZT52C5V6S-(F) 5.6V 5.2TO6V
		ZD412	0DZ560009GB BZT52C5V6S-(F) 5.6V 5.2TO6V
		ZD414	0DZ560009GB BZT52C5V6S-(F) 5.6V 5.2TO6V

DATE: 2007. 01. 23.			
*S	*AL	LOC. NO.	PART NO. DESCRIPTION / SPECIFICATION
		ZD415	0DZ560009GB BZT52C5V6S-(F) 5.6V 5.2TO6V
ICs			
		U201	0IPRP00704A FE211M-LF(TSUM16AWL) 3VTO3.6
		U202	0IZZ9H0201A 0IMMR00004B 0IMMR00004B ATME
		U203	0ISG240860B M24C08-WMN6TP 8KBIT 1KX8BIT
		U301	0IPMGA0010A AZ1117H-3.3 4.75TO10V 3.3V 0-L1753S
		U301	0EAN33480801 KIA1117S33 4.8V TO 10V 3.3V-L1953S
		U303	0IPMG00049A AZ1117H-1.8TR/E1[H13A] 3.2TO-L1753S
		U303	0EAN33480501 KIA1117S18 3.3V TO 10V 1.8V-L1953S
TRANSISTOR			
		Q201	0TR390409AE KST3904 NPN 6V 60V 40V 200MA
		Q401	0TR390609FA KST3906-MTF PNP -5V -40V -40
		Q402	0TR390609FA KST3906-MTF PNP -5V -40V -40
RESISTORS			
		R201	0RJ0562D677 MCR03EZPJ560 560OHM 5% 1/10W
		R202	0RJ0562D677 MCR03EZPJ560 560OHM 5% 1/10W
		R203	0RJ0562D677 MCR03EZPJ560 560OHM 5% 1/10W
		R204	0RJ0562D677 MCR03EZPJ560 560OHM 5% 1/10W
		R205	0RJ1001D677 MCR03EZPJ102 1KOHM 5% 1/10W
		R206	0RJ0562D677 MCR03EZPJ560 560OHM 5% 1/10W
		R207	0RJ0562D677 MCR03EZPJ560 560OHM 5% 1/10W
		R211	0RJ1002D677 MCR03EZPJ103 10KOHM 5% 1/10W
		R212	0RJ3900D677 MCR03EZPJ391 390OHM 5% 1/10W
		R213	0RJ4700D677 MCR03EZPJ471 470OHM 5% 1/10W
		R215	0RJ2002D677 MCR03EZPJ203 20KOHM 5% 1/10
		R216	0RJ1002D677 MCR03EZPJ103 10KOHM 5% 1/10W
		R217	0RJ1002D677 MCR03EZPJ103 10KOHM 5% 1/10W
		R218	0RJ1002D677 MCR03EZPJ103 10KOHM 5% 1/10W
		R219	0RJ1002D677 MCR03EZPJ103 10KOHM 5% 1/10W
		R222	0RJ4701D677 MCR03EZPJ472 4.7KOHM 5% 1/10
		R223	0RJ4701D677 MCR03EZPJ472 4.7KOHM 5% 1/10
		R224	0RJ1000D677 MCR03EZPJ101 100OHM 5% 1/10W
		R225	0RJ4701D677 MCR03EZPJ472 4.7KOHM 5% 1/10
		R226	0RJ0332D677 MCR03EZPJ330 330OHM 5% 1/10W
		R227	0RJ0332D677 MCR03EZPJ330 330OHM 5% 1/10W
		R228	0RJ4701D677 MCR03EZPJ472 4.7KOHM 5% 1/10
		R231	0RJ0000D677 MCR03EZPJ000 0OHM 5% 1/10W 1
		R232	0RJ0000D677 MCR03EZPJ000 0OHM 5% 1/10W 1
		R302	0RJ5600D677 MCR03EZPJ561 560OHM 5% 1/10W
		R303	0RJ2202D677 MCR03EZPJ223 22KOHM 5% 1/10W
		R305	0RJ4702D677 MCR03EZPJ473 47KOHM 5% 1/10W
		R307	0RX0681K668 RSD02F36R80J 6.8OHM 5% 2W 12
		R308	0RJ0000D677 MCR03EZPJ000 0OHM 5% 1/10W 1
		R412	0RJ0000D677 MCR03EZPJ000 0OHM 5% 1/10W 1
		R413	0RJ4701D677 MCR03EZPJ472 4.7KOHM 5% 1/10
		R414	0RJ4701D677 MCR03EZPJ472 4.7KOHM 5% 1/10
		R415	0RJ1200D677 MCR03EZPJ121 120OHM 5% 1/10W
		R416	0RJ0752D677 MCR03EZPJ750 750OHM 5% 1/10W

DATE: 2007. 01. 23.				
*S	*AL	LOC. NO.	PART NO.	DESCRIPTION / SPECIFICATION
		R417	0RJ1000D677	MCR03EZPJ101 100OHM 5% 1/10W
		R418	0RJ1000D677	MCR03EZPJ101 100OHM 5% 1/10W
		R419	0RJ1000D677	MCR03EZPJ101 100OHM 5% 1/10W
		R420	0RJ2001D677	MCR03EZPJ202 2KOHM 5% 1/10W
		R422	0RJ4701D677	MCR03EZPJ472 4.7KOHM 5% 1/10
		R423	0RJ4701D677	MCR03EZPJ472 4.7KOHM 5% 1/10
		R438	0RJ4701D677	MCR03EZPJ472 4.7KOHM 5% 1/10
		R439	0RJ4701D677	MCR03EZPJ472 4.7KOHM 5% 1/10
		R440	0RJ0332D677	MCR03EZPJ330 33OHM 5% 1/10W
		R441	0RJ0000D677	MCR03EZPJ000 0OHM 5% 1/10W 1
		R442	0RJ0682D677	MCR03EZPJ680 68OHM 5% 1/10W
		R443	0RJ0682D677	MCR03EZPJ680 68OHM 5% 1/10W
		R444	0RJ0332D677	MCR03EZPJ330 33OHM 5% 1/10W
		R445	0RJ0752D677	MCR03EZPJ750 75OHM 5% 1/10W
		R446	0RJ0752D677	MCR03EZPJ750 75OHM 5% 1/10W
		R448	0RJ0752D677	MCR03EZPJ750 75OHM 5% 1/10W
OTHERs				
		J401	6630TGA004F	KCN-DS-3-0062 D-SUB 15P 2.29
		J402	6630V90219A	SMW200-28C 28P 2.0MM 2R STRA
		J403	6602T20008K	SMW200-11P 11P 2.00MM 1R STR
		J404	6602T20008E	SMW200-06P 6P 2.00MM 1R STRA
		U302	0TFV180067A	SI3865BDV(E3) N-CHANNEL MOSF
		X201	6212AA2004F	HC-49/U 14.31818MHZ 30PPM(TX
CONTROL BOARD				
		R1	0RD7501Q609	RDM94T1J7K50 7.5KOHM 5% 1/4W
		R2	0RD7501Q609	RDM94T1J7K50 7.5KOHM 5% 1/4W
		R3	0RD1801Q609	RDM94T1J1K80 1.8KOHM 5% 1/4W
		R4	0RD1201Q609	RDM94T1J1K20 1.2KOHM 5% 1/4W
		R5	0RD1201Q609	RDM94T1J1K20 1.2KOHM 5% 1/4W
		SW1	6600R000133	JTP1280A6 1C1P 12VDC 0.05A H
		SW2	6600R000133	JTP1280A6 1C1P 12VDC 0.05A H
		SW3	6600R000133	JTP1280A6 1C1P 12VDC 0.05A H
		SW4	6600R000133	JTP1280A6 1C1P 12VDC 0.05A H
		SW5	6600R000133	JTP1280A6 1C1P 12VDC 0.05A H
		ZD1	0DZ560009AG	GDZJ5.6B 5.6V 5.45TO5.73V 60
		ZD2	0DZ560009AG	GDZJ5.6B 5.6V 5.45TO5.73V 60
		ZD3	0DZ560009AG	GDZJ5.6B 5.6V 5.45TO5.73V 60
		J1	6602T20009E	SMAW200-06P 6P 2.00MM 1R ANG
		J2	6602T20009B	SMAW200-03P 3P 2.00MM 1R ANG
		J3	6602T20009B	SMAW200-03P 3P 2.00MM 1R ANG
		LED1	EAV30486601	BL-BY0BK201G-AB-LC4.5 ROUND
POWER BOARD				
CAPACITORS				
		C101	0CZZ9ST017A	AL EL CAPACITOR 100UF 450V 2
		C103	0CZZ9ST014A	AL EL CAPACITOR 33UF 50V 20%
		C104	0CH5271K416	270PF 2012 50V 5% NP0 R/TP
		C105	0CZZ9ST013A	AL EL CAPACITOR 0.47UF 50V 2
		C106	0CK222DK4DA	2200PF 2012 50V 5% COG R/TP
		C107	0CK1040K945	"0.1UF D 50V 80%,-20% F(Y5V)"
		C201	0CKZTTA002E	EKR3A102K09FK5 SAMWHA 1KV 10
		C202	0CZZ9ST021A	AL EL CAPACITOR 1000UF 25V 2
		C203	0CZZ9ST020A	AL EL CAPACITOR 680UF 25V 20
		C204	0CZZ9ST018A	AL EL CAPACITOR 1000UF 16V 2
		C205	0CZZ9ST018A	AL EL CAPACITOR 1000UF 16V 2
		C206	0CZZ9ST021A	AL EL CAPACITOR 1000UF 25V 2
		C207	0CZZ9ST019A	AL EL CAPACITOR 470UF 25V 20

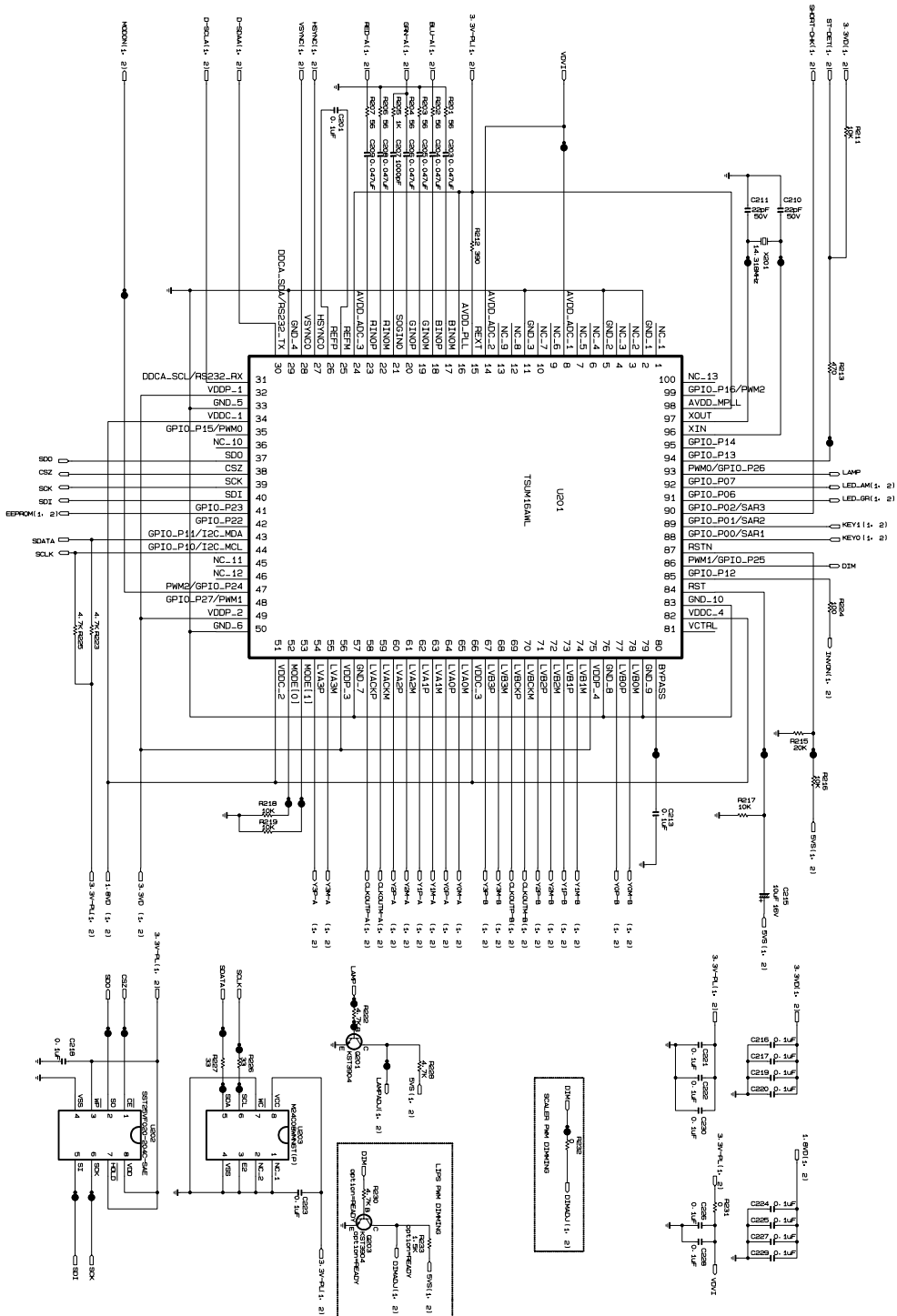
DATE: 2007. 01. 23.				
*S	*AL	LOC. NO.	PART NO.	DESCRIPTION / SPECIFICATION
		C208	0CKZTTA002B	330PF 1KV K R TP5.0 TAPING .
		C210	0CH3104K566	0.1UF 50V 10% X7R 2012 R/TP
		C301	0CZZTCT006D	C3216X7R1E225M TDK 25V 2.2UF
		C303	0CZZTCT006D	C3216X7R1E225M TDK 25V 2.2UF
		C304	0CZZTCT006D	C3216X7R1E225M TDK 25V 2.2UF
		C305	0CZZTCT006D	C3216X7R1E225M TDK 25V 2.2UF
		C306	0CK224DH56A	0.22UF 2012 25V 10% R/TP X7R
		C307	0CH3104K566	0.1UF 50V 10% X7R 2012 R/TP
		C308	0CK105DH56A	1UF 2012 25V 10% X7R R/TP
		C309	0CK224DH56A	0.22UF 2012 25V 10% R/TP X7R
		C310	0CK105DH56A	1UF 2012 25V 10% X7R R/TP
		C313	0CH2393K516	39000PF 50V 10% B(Y5P) 2012
		C314	0CK152DK51A	15000PF 2012 50V 10% B(Y5P) R
		C315	0CH3103K516	10000PF 50V 10% B(Y5P) 2012
		C317	0CH5221K416	220PF 50V 5% NP0 2012 R/TP
		C320	0CZZTCT006D	C3216X7R1E225M TDK 25V 2.2UF
		C402	0CK22201510	2200PF D 1KV 10% B(Y5P) R
		C403	0CZZ9ST028A	CERAMIC DISK 10PF 6KV 5% TR
		C404	0CH2153K516	15000PF 50V 10% B(Y5P) 2012
		C405	0CK22201510	2200PF D 1KV 10% B(Y5P) R
		C406	0CZZ9ST028A	CERAMIC DISK 10PF 6KV 5% TR
		C407	0CH2153K516	15000PF 50V 10% B(Y5P) 2012
		C409	0CK22201510	2200PF D 1KV 10% B(Y5P) R
		C410	0CZZ9ST028A	CERAMIC DISK 10PF 6KV 5% TR
		C411	0CH2153K516	15000PF 50V 10% B(Y5P) 2012
		C412	0CK22201510	2200PF D 1KV 10% B(Y5P) R
		C413	0CZZ9ST028A	CERAMIC DISK 10PF 6KV 5% TR
		C414	0CH2153K516	15000PF 50V 10% B(Y5P) 2012
		C415	0CH2222K516	2200PF 50V 10% B(Y5P) 2012 R
		C417	0CH2222K516	2200PF 50V 10% B(Y5P) 2012 R
		C418	0CH2222K516	2200PF 50V 10% B(Y5P) 2012 R
		C419	0CH2222K516	2200PF 50V 10% B(Y5P) 2012 R
		CX101	0CZZ9ST025A	FILM CAPACITOR 0.47UF 275V 1
		CY101	0CZZ9ST024A	"Y CAPACITOR 100PF 250V 10%,-"
		CY102	0CZZ9ST024A	"Y CAPACITOR 100PF 250V 10%,-"
		CY104	0CZZ9ST023A	"Y CAPACITOR 4700PF 250V 20%,"
DIODEs				
		BD101	0DRTW00121A	D2SB60-1121 TIWAN SEMI ST GB
		D101	0DRDI00234A	PR1007 DIODES TAPING52 DO41
		D102	0DRDI00244A	1N4007/L DIODES TAPING52 DO4
		D103	0DSGF00019A	1N4148 GULF TP DO35 100V 0.1
		D201	0DRNH00140A	FCH10U15 NIHON INTER BULK TO
		D202	0DRNH00130A	FCH10U10 NIHON INTER BULK TO
		D306	0DSGD00048A	MM4148 GRANDE REEL TAPING LL
		D401	0SDSI00038A	"BAV99-(F),LF DIODES R/TP SOT"
		D402	0SDSI00038A	"BAV99-(F),LF DIODES R/TP SOT"
		D403	0SDSI00038A	"BAV99-(F),LF DIODES R/TP SOT"
		D404	0SDSI00038A	"BAV99-(F),LF DIODES R/TP SOT"
		D405	0SDSI00038A	"BAV99-(F),LF DIODES R/TP SOT"
		D406	0SDSI00038A	"BAV99-(F),LF DIODES R/TP SOT"
		D407	0SDSI00038A	"BAV99-(F),LF DIODES R/TP SOT"
		D408	0SDSI00038A	"BAV99-(F),LF DIODES R/TP SOT"
		ZD101	0DZ330009CC	MTZJ3.3B TP ROHM-K DO34 - 3.
		ZD301	0DZGD00128A	ZMM5231B GRANDE REEL TAPING
TRANSISTORs & ICs				
		Q101	0TF760000AD	SSS7N60B FAIRCHILD ST TO220F
		Q301	0TR144009AI	DTA144EK CHIP TP ROHM - -
		Q302	0TR144009AH	DTC144EK CHIP TP ROHM - -

DATE: 2007. 01. 23.				
*S	*AL	LOC. NO.	PART NO.	DESCRIPTION / SPECIFICATION
		Q303	0TRKE80046A	2N3904S KEC R/TP SOT23 60V 2
		Q304	0TR390609DC	2N3906S-RTK KEC REEL TAPING
		Q305	0TFDI80001A	2N7002 DIODES R/TP SOT23 60V
		Q306	0TFDI80001A	2N7002 DIODES R/TP SOT23 60V
		Q307	0TR390609DC	2N3906S-RTK KEC REEL TAPING
		Q308	0TRKE80046A	2N3904S KEC R/TP SOT23 60V 2
△		U101	0IPMG78425A	FAN7601 FAIRCHILD DIP-8P BUL
		U201	0IPMG78424A	"AZ431-A BCD 3P,TO-92 TAPING"
		U301	0IPMG78426A	OZL68GN O2MICRO 20P SOP BULK
		U303	0TFAN00001A	AP4511GD ADVANCED POWER ELEC
		U304	0TFAN00001A	AP4511GD ADVANCED POWER ELEC
△		PC201	0IPMG78432A	"LTV-817M-V(C) LITEON 4P, WID"
RESISTORS				
△		R101	0RJ4703G676	470K OHM 1/4 W 5% 3216 R/TP
		R102	0RJ6801E472	6800 OHM 1/8 W 1% 2012 R/TP
		R103	0RH1004D622	1M OHM 1 / 10 W 2012 5.00% D
		R104	0RH1001D622	1K OHM 1 / 10 W 2012 5.00% D
		R105	0RD0912Q609	91 OHM 1/4 W (3.4) 5% TA52
		R106	0RH2201D622	2.2K OHM 1 / 10 W 2012 5.00%
		R107	0RD8203A609	820K OHM 1/2 W(7.0) 5.00% TA
		R108	0RD4702A609	47K OHM 1/2 W(7.0) 5.00% TA5
		R109	0RX0560J609	0.56OHM 1 W 5% TA52
		R110	0RX1003K607	100KOHM 2 W 5% TA62
		R111	0RD0471Q609	4.70 1/4W(3 5% TA52
		R112	0RJ1302E472	13K OHM 1/8 W 1% 2012 R/TP
△		R115	0RJ4703G676	470K OHM 1/4 W 5% 3216 R/TP
△		R116	0RJ4703G676	470K OHM 1/4 W 5% 3216 R/TP
		R117	0RH2403D622	240K OHM 1 / 10 W 2012 5.00%
		R118	0RH2403D622	240K OHM 1 / 10 W 2012 5.00%
		R202	0RX0242K665	24 OHM 2 W 5% SF
		R204	0RN3002F409	30K OHM 1/6 W 1.00% TA52
		R205	0RN2201F409	2.2K OHM 1/6 W 1.00% TA52
		R206	0RJ1601E472	1.6K OHM 1/8 W 1% 2012 R/TP
		R207	0RH1001D622	1K OHM 1 / 10 W 2012 5.00% D
		R208	0RH6800D622	680 OHM 1 / 10 W 2012 5.00%
		R209	0RH1001D622	1K OHM 1 / 10 W 2012 5.00% D
		R211	0RJ1001G476	1K OHM 1/4 W 1% 3216 R/TP
		R301	0RD1001Q609	1K OHM 1/4 W(3.4) 5.00% TA52
		R303	0RH0222D622	22 OHM 1 / 10 W 2012 5.00% D
		R304	0RD1002Q609	10K OHM 1/4 W(3.4) 5.00% TA5
		R309	0RN1502F409	15K OHM 1/6 W 1.00% TA52
		R310	0RH1004D622	1M OHM 1 / 10 W 2012 5.00% D
		R311	0RH1502D422	"15K , 1/10W 1% TP"
		R313	0RJ6202E472	62K OHM 1/8 W 1% 2012 R/TP
		R315	0RH2001D622	2K OHM 1 / 10 W 2012 5.00% D
		R316	0RH2001D622	2K OHM 1 / 10 W 2012 5.00% D
		R317	0RJ3303E472	330000 OHM 1/8 W 1% 2012 R/T
		R318	0RJ1503E472	150K OHM 1/8 W 1% 2012 R/TP
		R319	0RH1303D622	130K OHM 1 / 10 W 2012 5.00%
		R320	0RH1502D422	"15K , 1/10W 1% TP"
		R321	0RH1002D422	10K OHM 1/10 W 1% 2012 R/TP
		R401	0RJ1001G476	1K OHM 1/4 W 1% 3216 R/TP
		R402	0RJ1001G476	1K OHM 1/4 W 1% 3216 R/TP
		R403	0RJ1001G476	1K OHM 1/4 W 1% 3216 R/TP
		R404	0RJ1001G476	1K OHM 1/4 W 1% 3216 R/TP
		R406	0RJ3600E472	360 OHM 1/8 W 1% 2012 R/TP
		R407	0RJ3600E472	360 OHM 1/8 W 1% 2012 R/TP
		R408	0RJ3600E472	360 OHM 1/8 W 1% 2012 R/TP
		R409	0RJ3600E472	360 OHM 1/8 W 1% 2012 R/TP
		TH101	6322A00035A	10D2-07 SEMITEC 100HM 15% L1

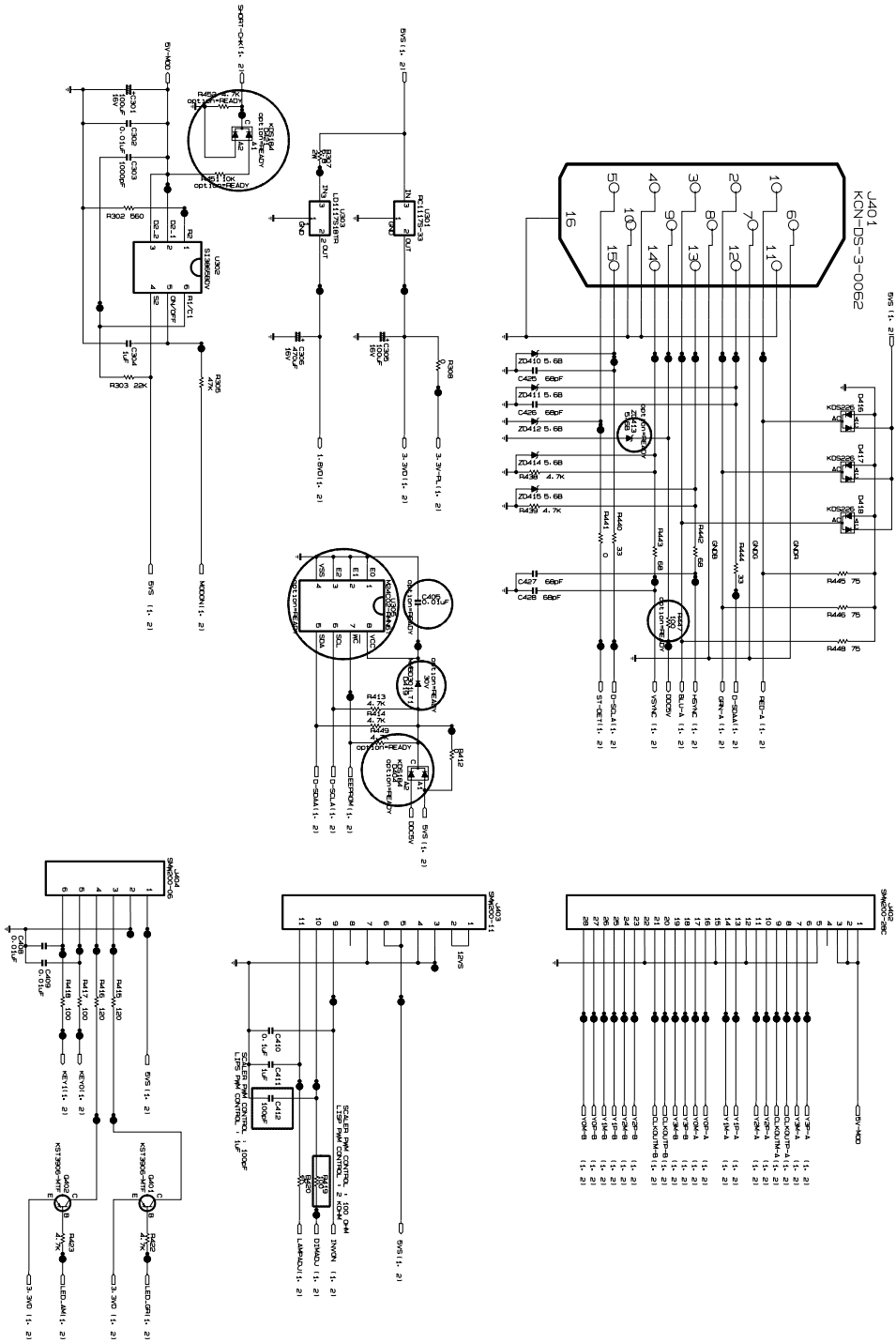
DATE: 2007. 01. 23.				
*S	*AL	LOC. NO.	PART NO.	DESCRIPTION / SPECIFICATION
OTHERS				
△		T101	61709MC011A	EER3016 430UH LX52 LIPS SMPS
△		T301	61709MC010A	EFD-2124 95UH INVERTER TRANS
△		T302	61709MC010A	EFD-2124 95UH INVERTER TRANS
TRANSFORMER				
△		SC101	6620K00020A	HUAJIE AC UL/CSA 3PPIN BLACK
△		F101	0FZZTTH001E	TIME LAG HBC 2153.15MXE(LEAD
		FB101	6210TCE003G	BRS3550B BO SUNG 3550MM RAD
△		HS1	4920900021A	EXTRUSION 10*20 16 LX52
△		HS2	4920900021A	EXTRUSION 10*20 16 LX52
△		HS3	4920900022A	PLATE 7*60 16 LX52
△		HS4	4920900032A	PLATE 20.5 *10.5 *12.0
		L202	61409B0009A	HL-1520S JEONGSAN 7.0UH 25%
△		LF101	6200J000154	13.0*710*23680 SAMWAH BULK L
		P201	6602T20008K	SMW200-11 YEONHO 11P 2.0MM L
		P401	6630V90218A	"35001WR YEONHO 2P 3.5MM DIP,"
		P402	6630V90218A	"35001WR YEONHO 2P 3.5MM DIP,"
		P403	6630V90218A	"35001WR YEONHO 2P 3.5MM DIP,"
		P404	6630V90218A	"35001WR YEONHO 2P 3.5MM DIP,"
△		J30	971-0016	TIN HDC 0.60H NON NON
△		J31	971-0016	TIN HDC 0.60H NON NON

SCHEMATIC DIAGRAM

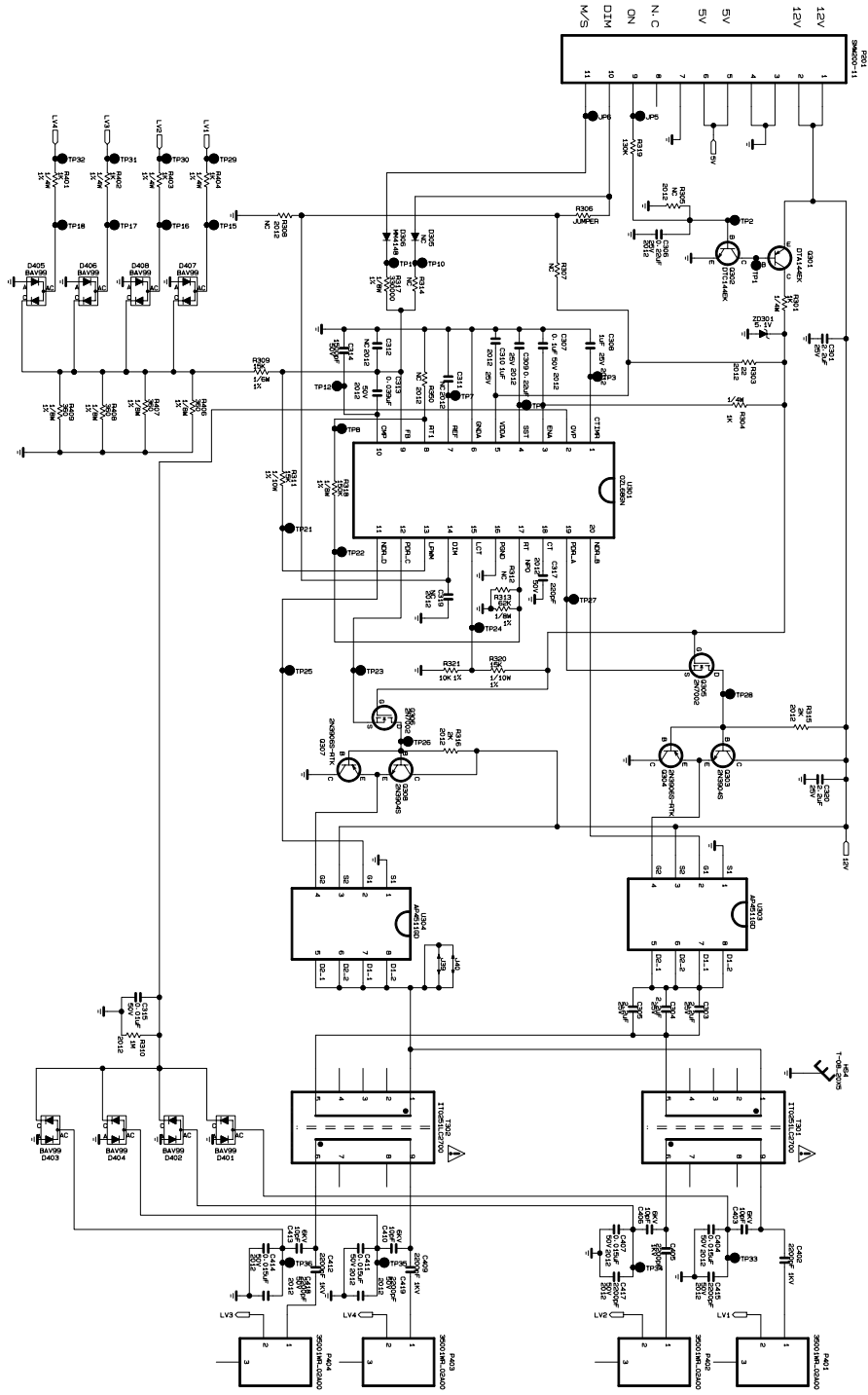
1. SCALER



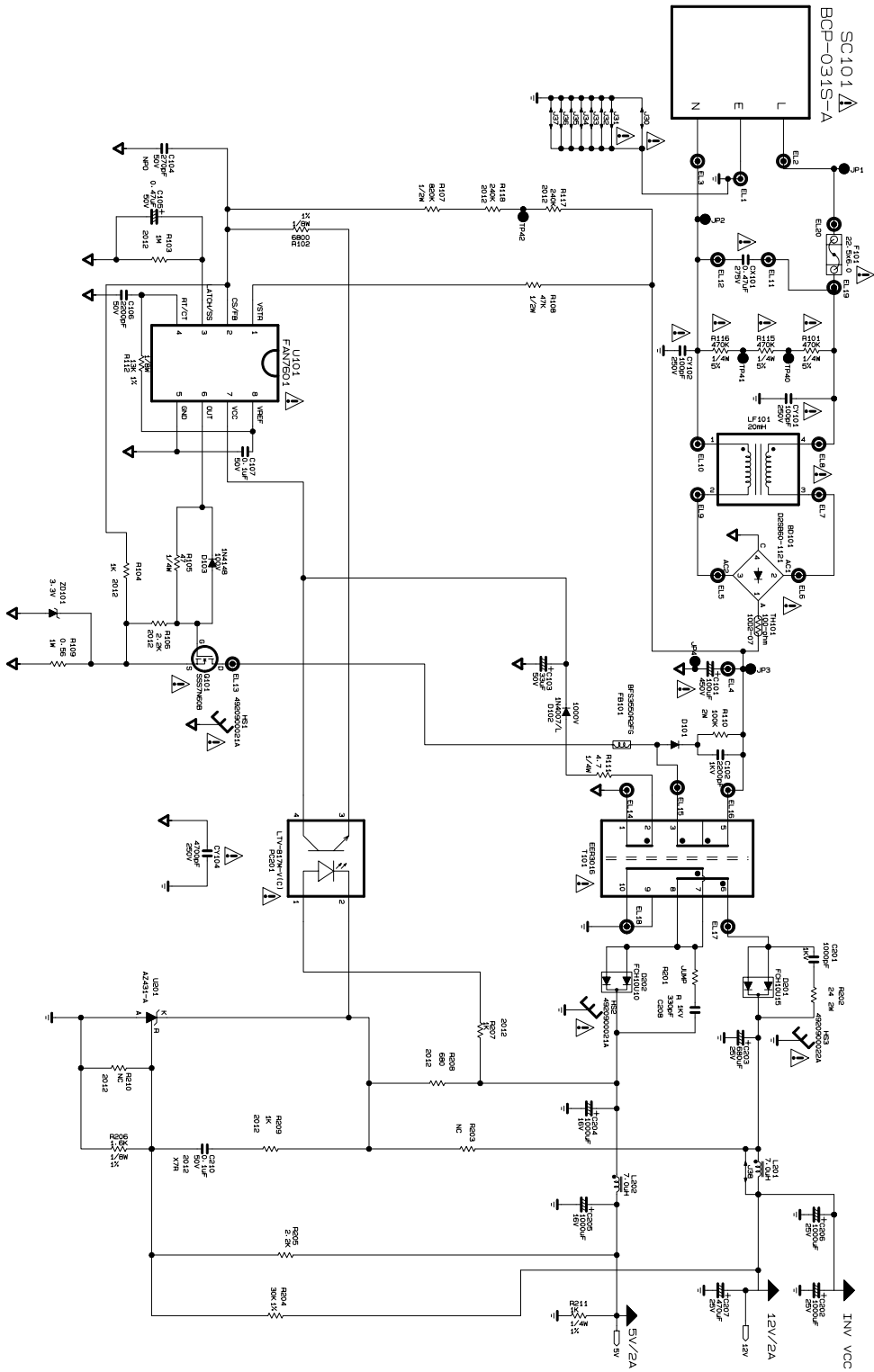
2. POWER & WAFER



3. INVERTER



4. POWER





P/NO : MFL36713657

Jan. 2007
Printed in Korea