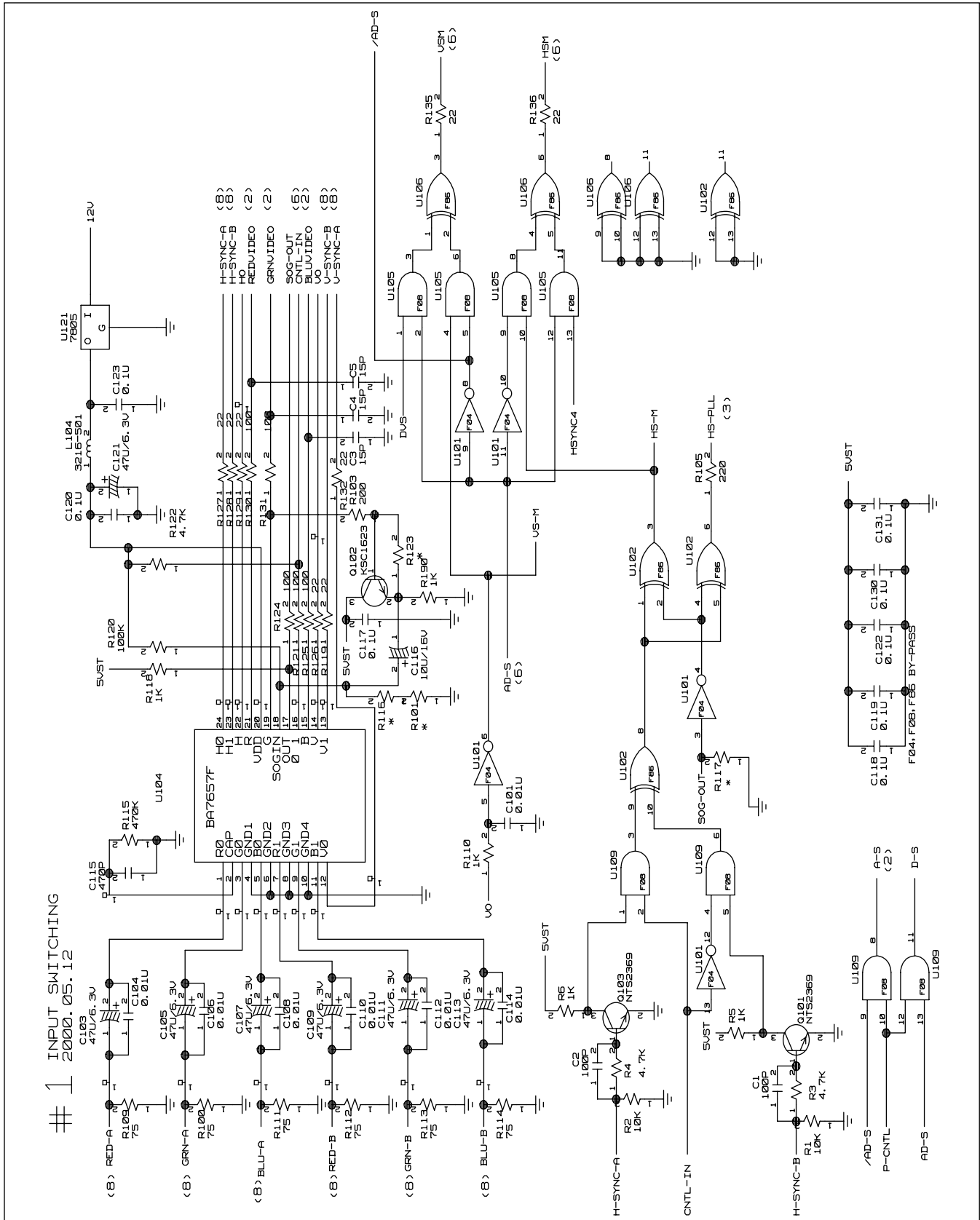


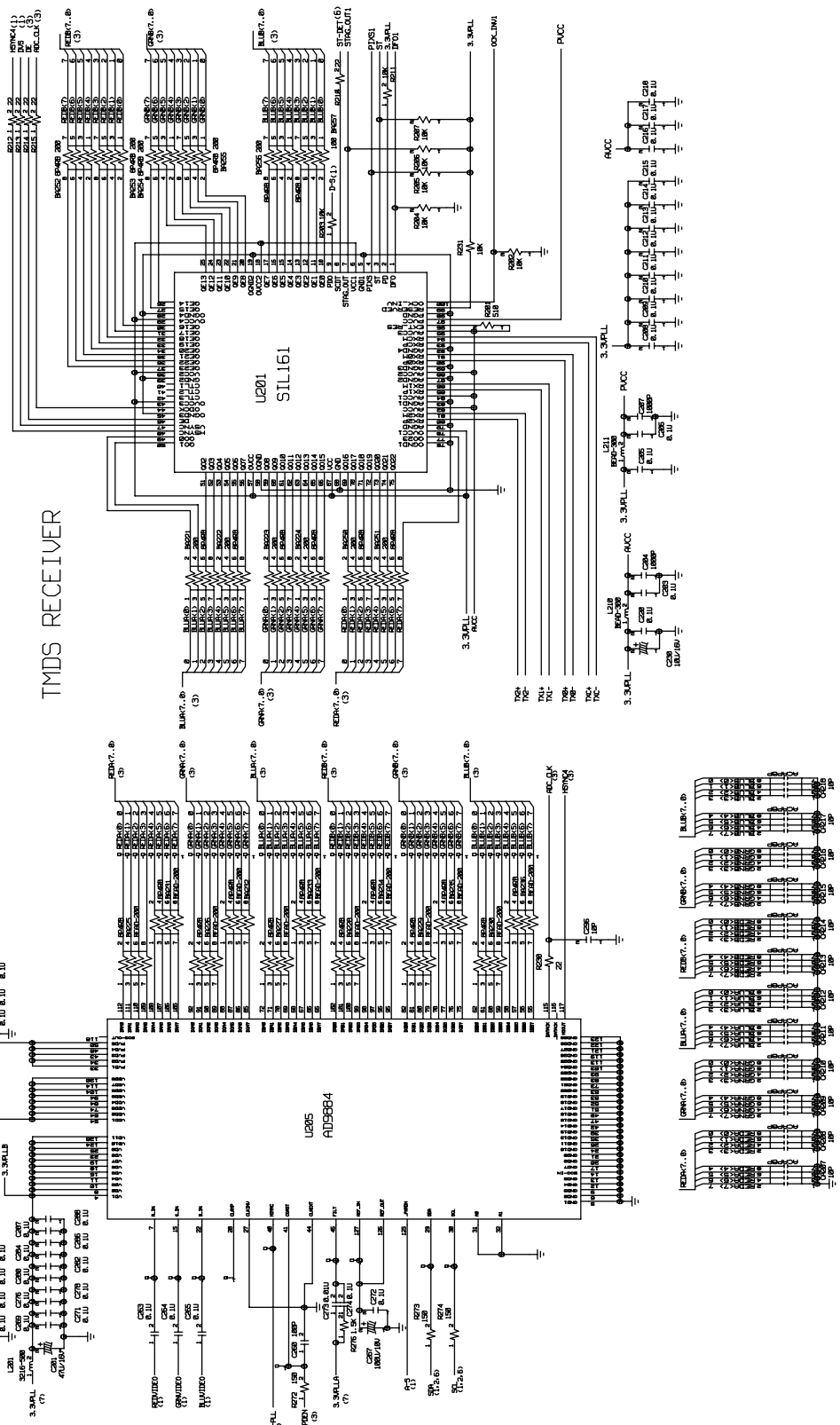
SCHEMATIC DIAGRAM

1. INPUT SWITCHING



2. AD9884 (PRE-AMP/PLL/ADC)

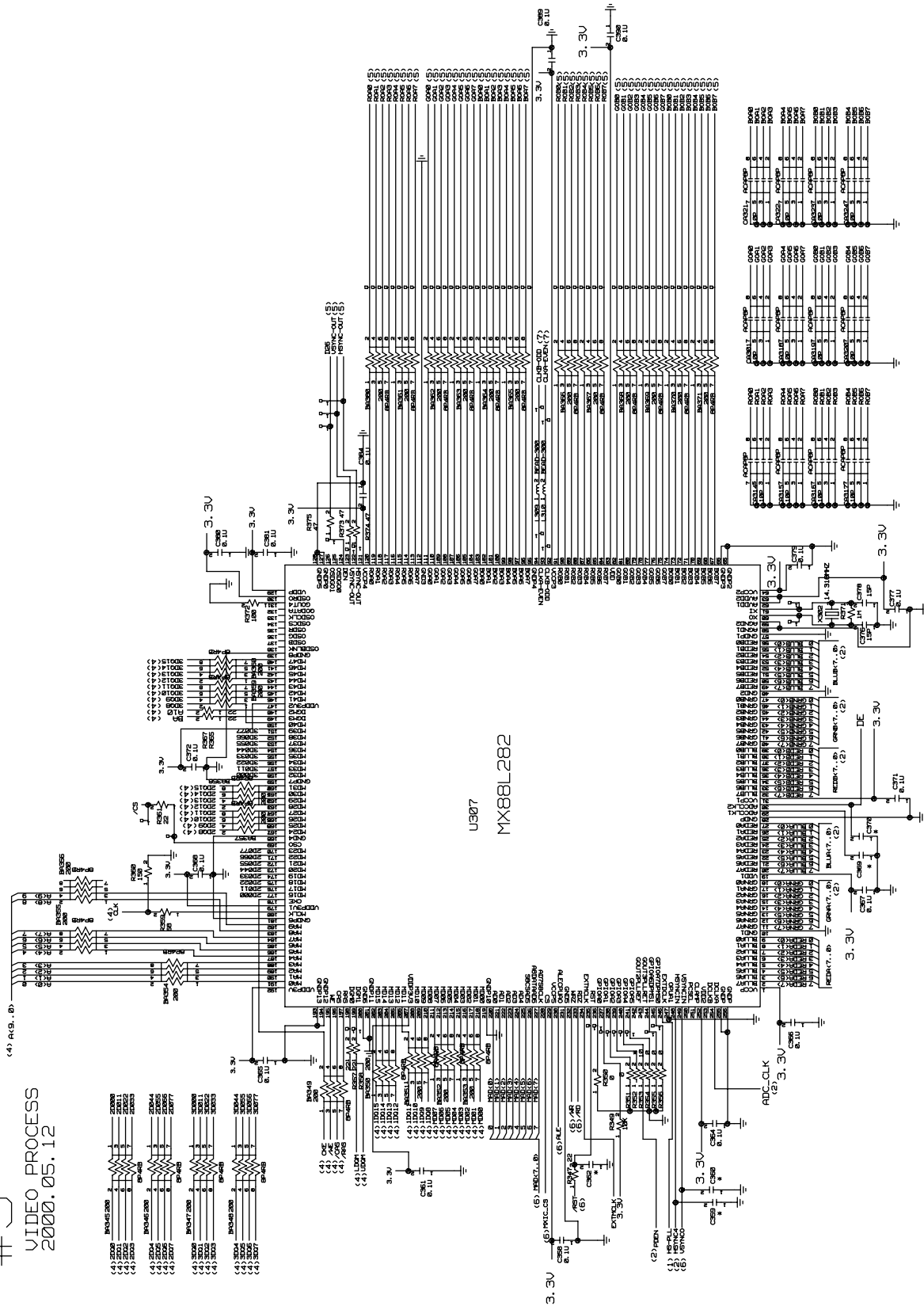
2000.05.12
AD9884 (PRE-AMP/PLL/ADC)



3. VIDEO PROCESS

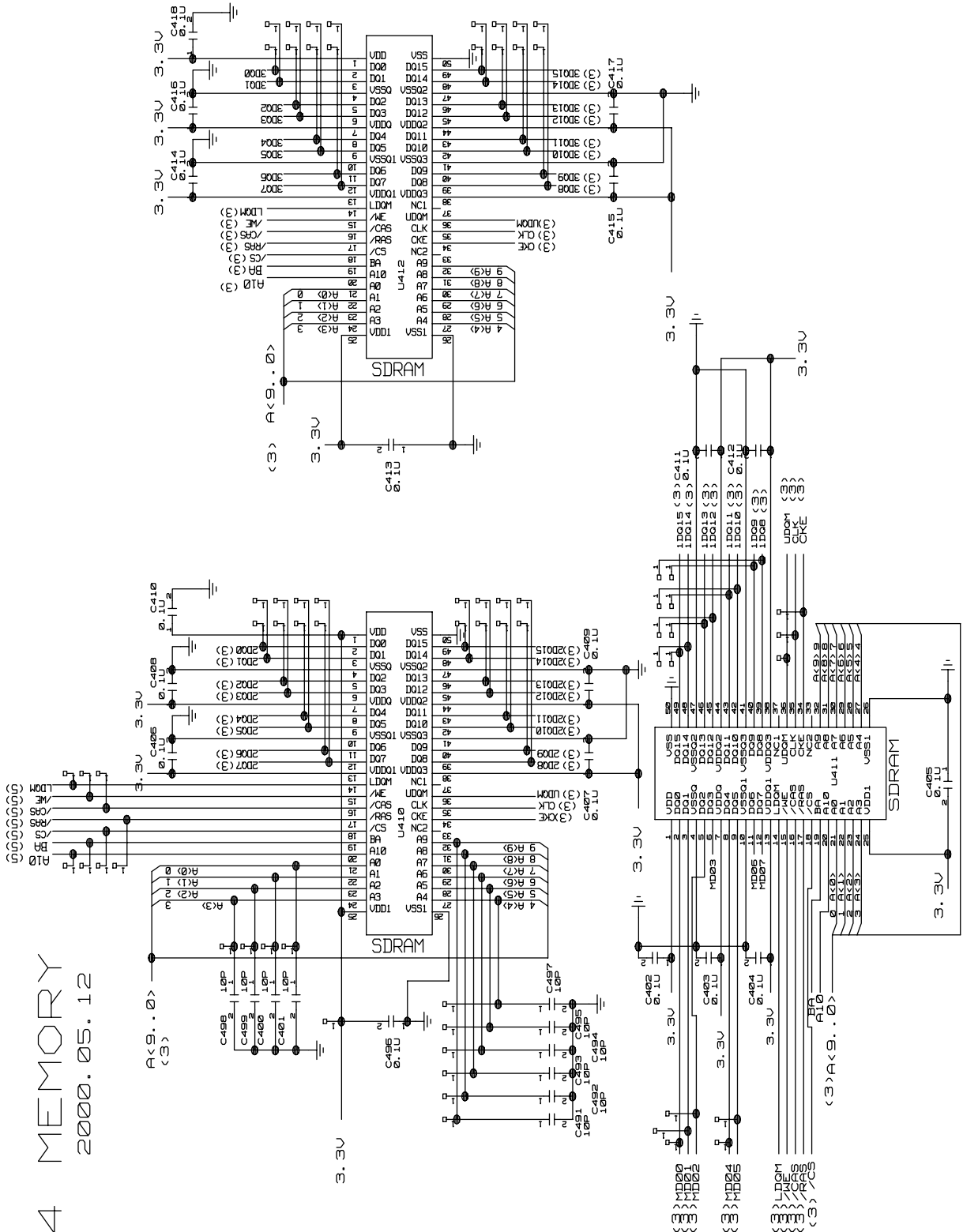
#3

VIDEO PROCESS
2000.05.12



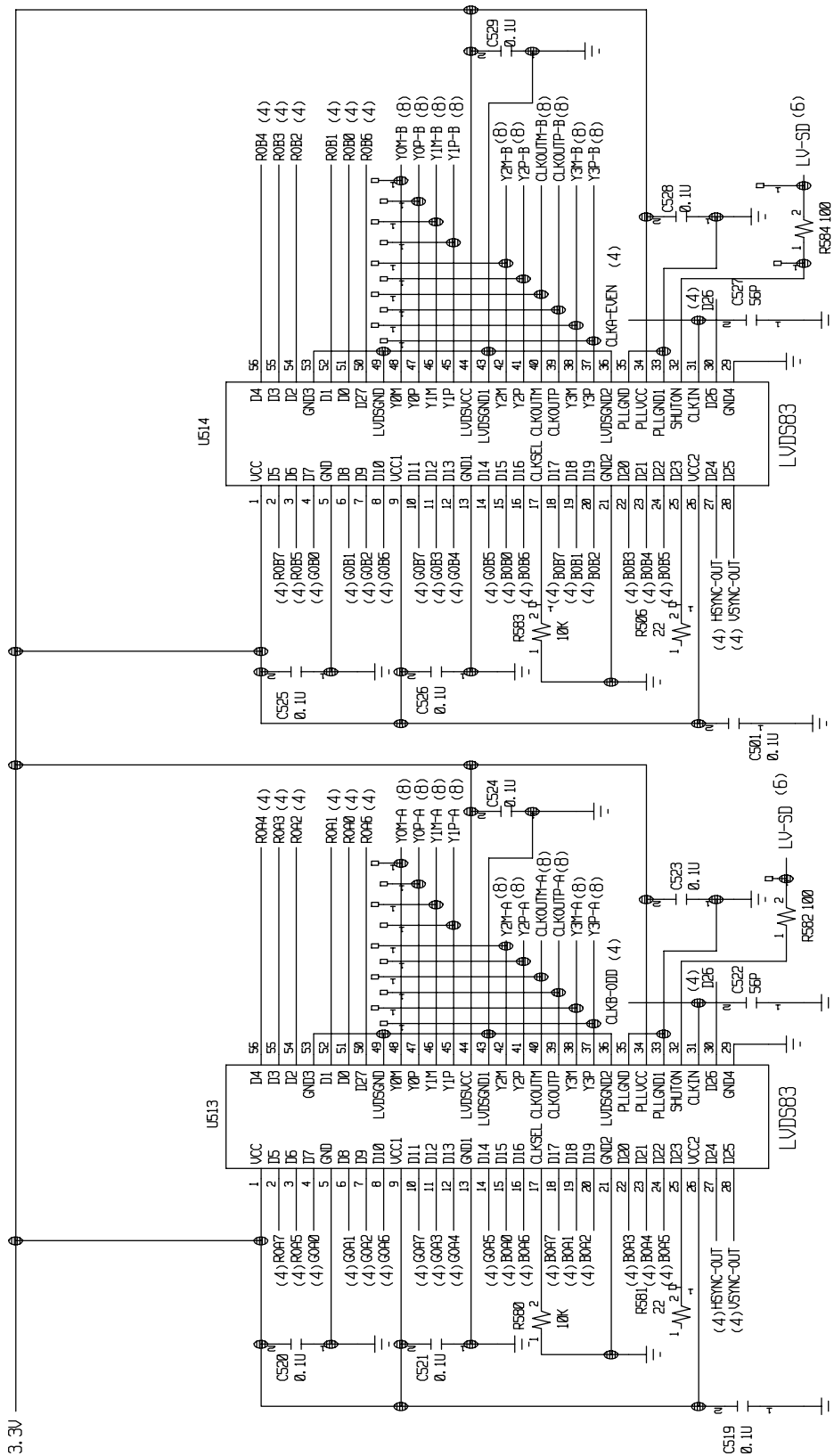
4. MEMORY

#4 MEMORY
2000.05.12

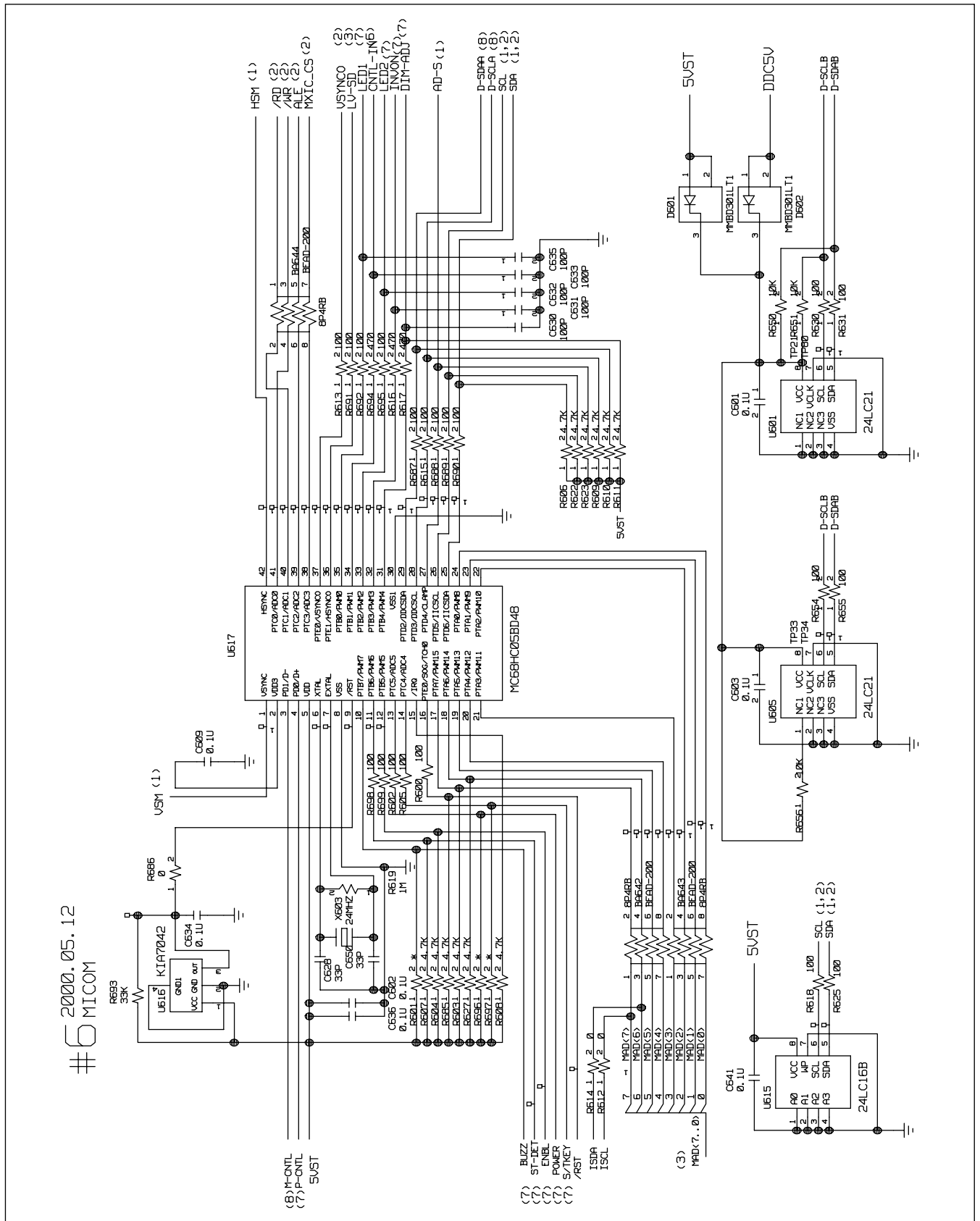


5. LVDS

#5 LVDS
2000.05.12

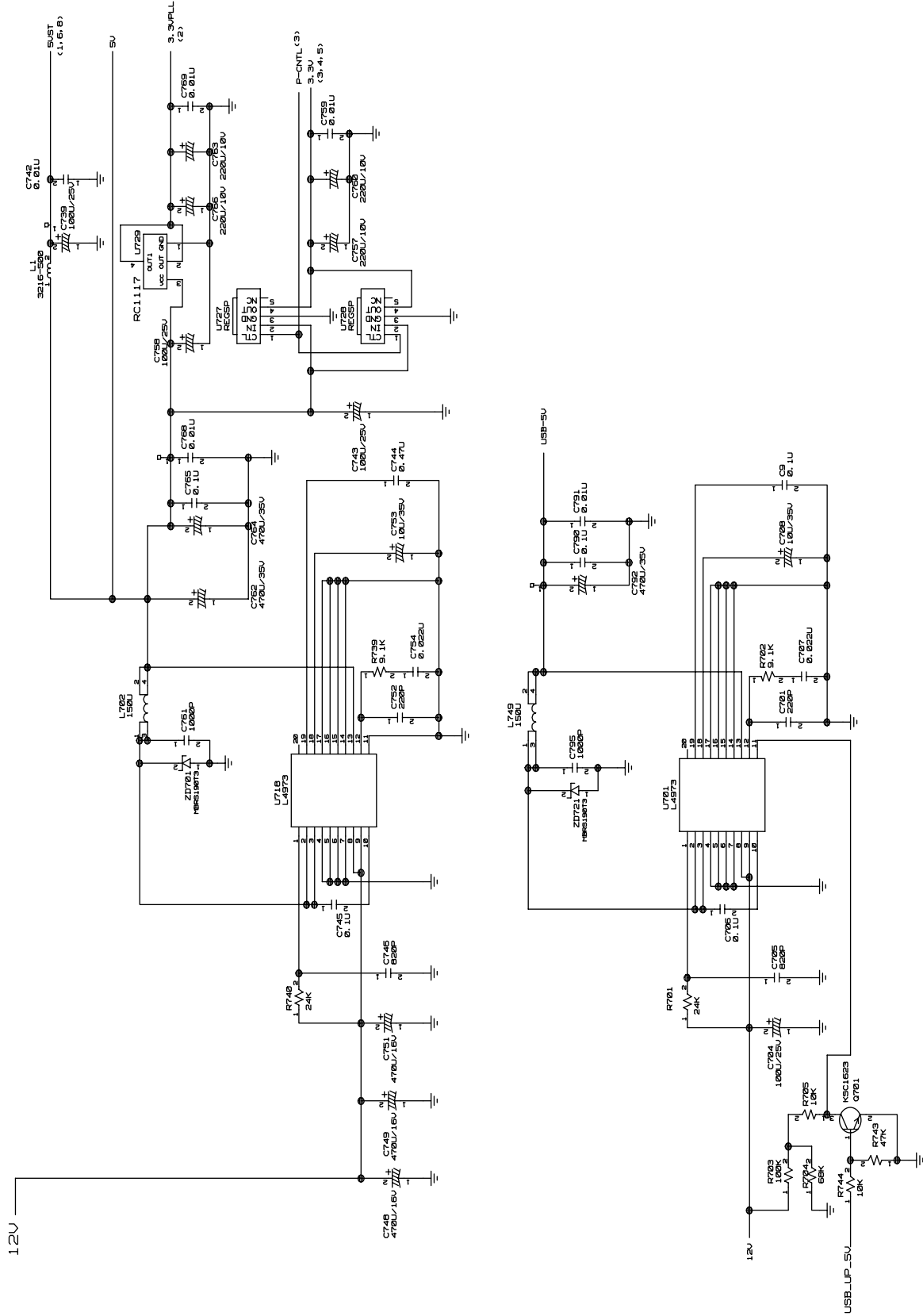


6. MICOM



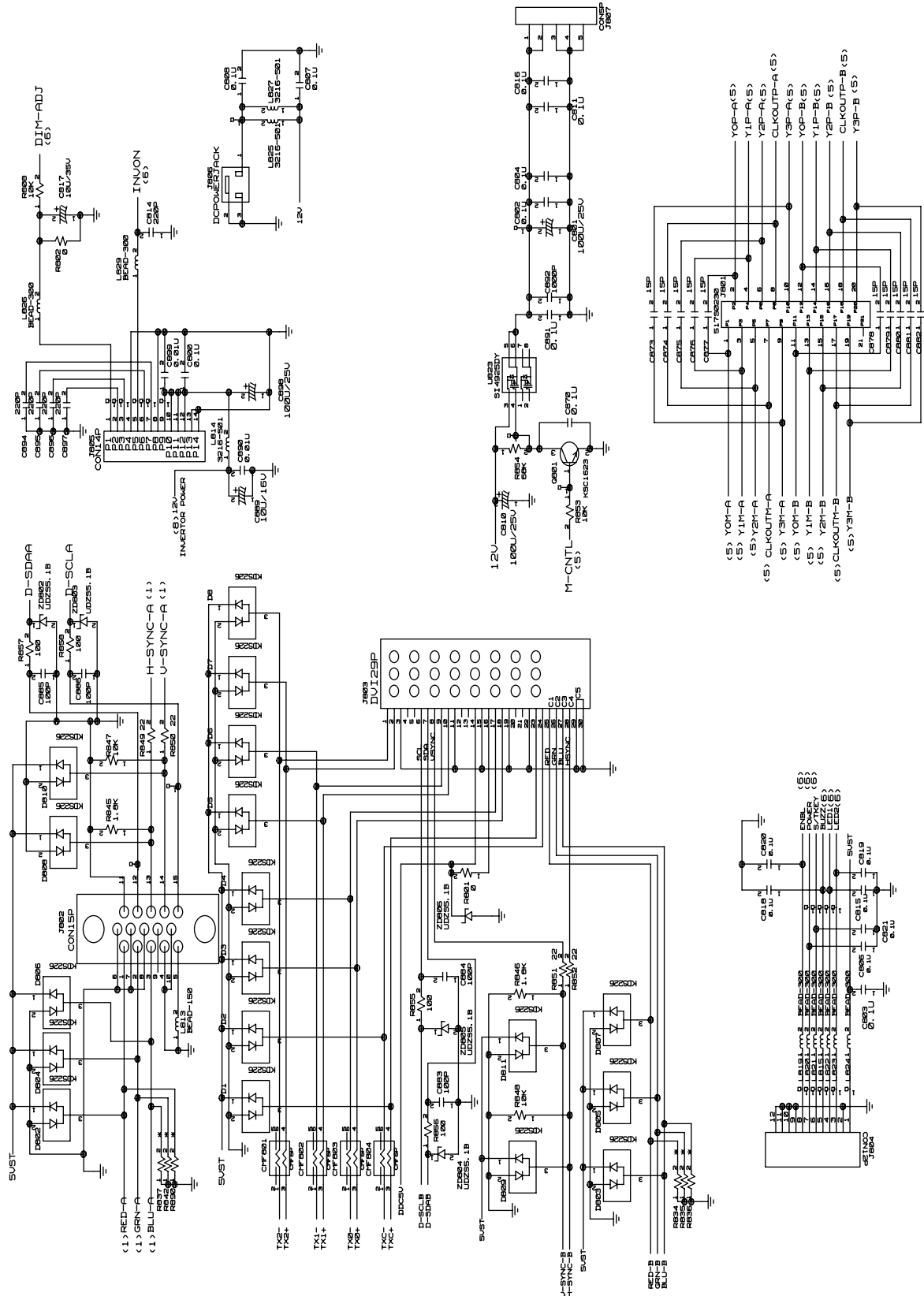
7. DC/DC CONVERTOR

7 DC/DC CONVERTOR
2000.05.12

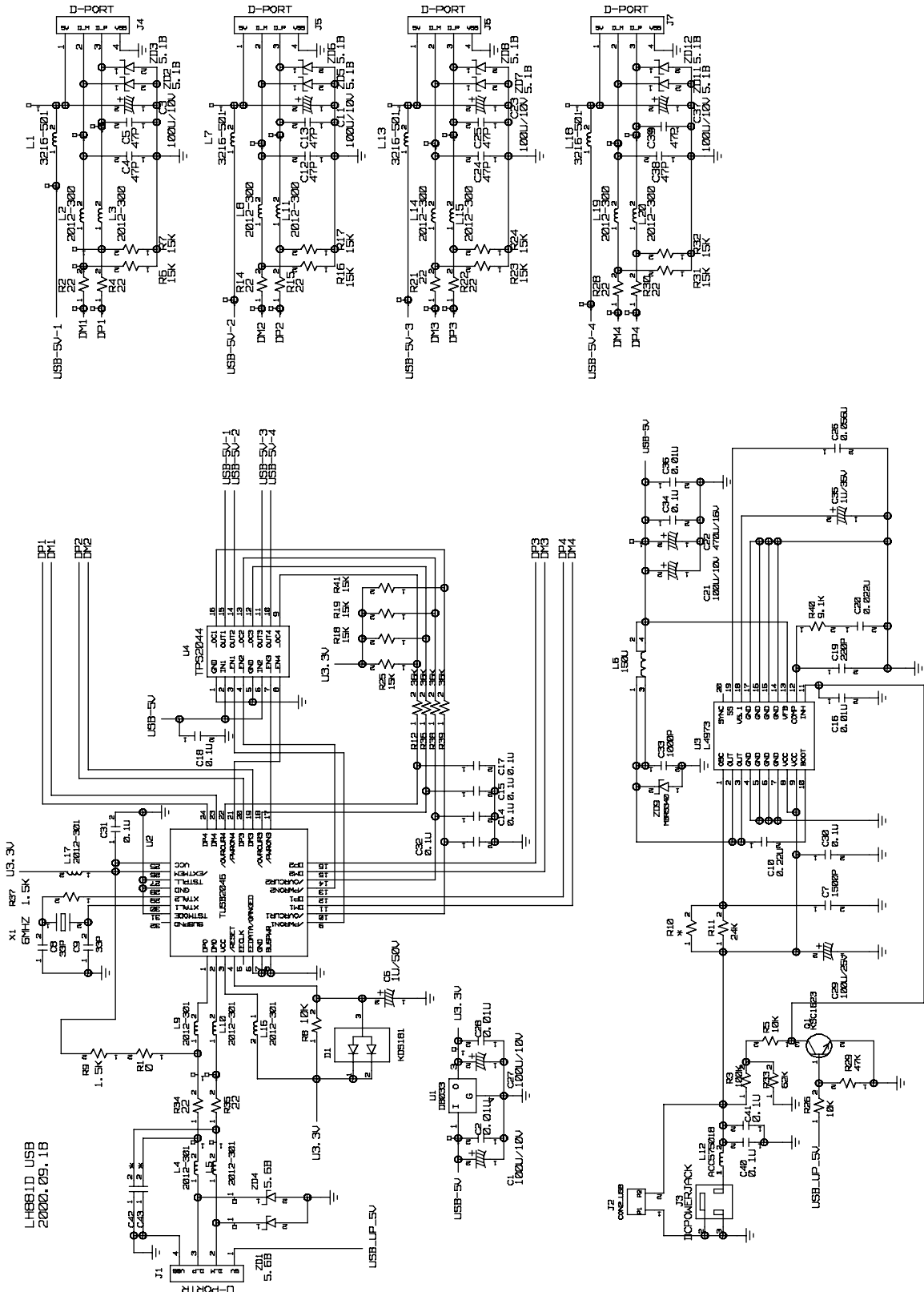


8. CONNECTOR & JACKS (BRAND)

#8 2000.05.12 CONNECTOR & JACKS (BRAND)



9. USB



10. CONTROL/POWER KEY

CONTROL/POWER LS882C 2001.02.06

