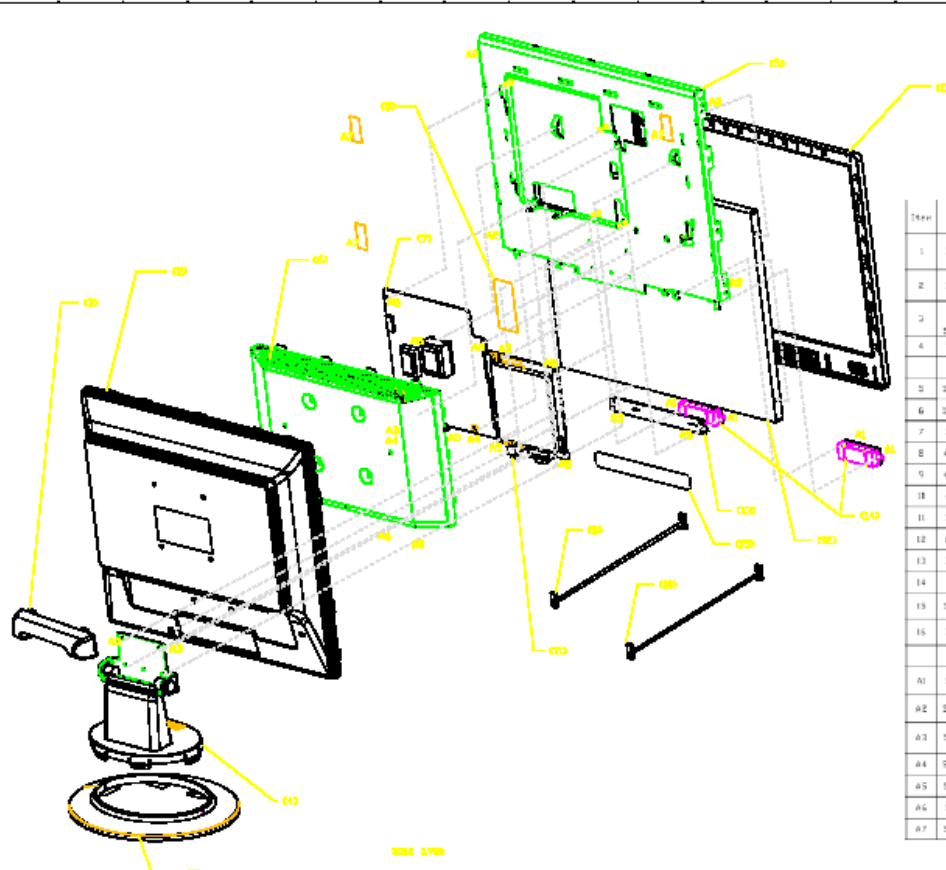


This chapter gives you the FRU (Field Replaceable Unit) listing in global configuration of AL1513. Refer to this chapter whenever ordering for parts to repair or for RMA (Return Merchandise Authorization).

**NOTE:** Please not WHEN ORDER FRU PARTS, that you should check the most up-to-date information available on your regional web or channel (<http://aicsl.acer.com.tw/spl/>). For whatever reasons a part number change is made, it will not be noted in the printed Service Guide. You **MUST** use the local FRU list provided by your regional Acer office to order FRU parts for repair and service of customer machines.

Note: To scrap or to return the defective parts. You should follow the local government ordinance or regulations on how best to dispose it, or follow the rules set by your regional Acer office on how to return it.

# Exploded Diagram














REV	DESCRIPTION	DATE	APPROVED
01			

Item	D-FUN P/N	CAD REV	Part Description	Qty	GEOMETRIC SIZE	Material
1	7140000001	00	ASSY,BEZEL,WHITE,W/SPK,LC-150	1	W/150, PLASTIC COLOR	PC+ABS
2	7140000041	00	ASSY,COVER BACK/W/SPK, LC-150	1	W/150, PLASTIC COLOR	PC+ABS
3	5010020041	00	COVER, RING, WHITE, LC-150	1	W/150, PLASTIC COLOR	
4	7140001300	00	ASSY,STAND/RING,WHITE,LC-150	1		
			Sheetmetal Parts			
5	3001002000	00	Chassis LC-150/ACR	1	3000 03sw	
6	3001001200	00	CRB shell LC-30/ACR W/SPK/white	1	3000 03sw	
7	7902044000	00	POWER BOARD	1		
8	4310000000	00	2P FFC CABLE	1		
9	4310000000	00	3P CABLE 160MM	1		
10	4300000000	00	3P CABLE 100MM	1		
11	7902020000	00	IF BOARD	1		
12	4310000000	00	LCD Panel	1		
13	7902050000	00	KEY PAD BOARD	1		
14			SPEAKER	2		
15	5001000000	00	Hydr, eye secur#0330x05x0.25mm	1		
16	7140000001	00	ASSY,BASE,WHITE, LC-150	1		
			SCREW			
A1	5810000000	00	Screw Cross ,Tapping , #0x2,Phenol Zinc Coating	4		
A2	3001000000	00	Screw Cross, #0 #00x0.5, Phenol zinc coating	4		
A3	5810000000	00	SCREW, #X3X0.5 F-HEAD ZINC COATING	4		
A4	5804000000	00	R/BW#X#24	2		
A5	5811400000	00	Screw, #X3X0.45 P head zinc coating	9		
A6	5810000000	00	Hex-head #0x0.5 zinc Plating	2		
A7	5001000000	00	Hydr, eye secur#0330x05x0.25mm	2		

**Q-RUN TECHNOLOGY CORP**  
 TITLE: ASSY,BEZEL,WHITE,W/SPK,LC-150  
 P/N: 7140000001  
 REV: 01  
 DATE: 09/10/2010  
 DRAWN BY: [Name]  
 CHECKED BY: [Name]  
 APPROVED BY: [Name]

## Part List

Picture	Part Name	Description	Part No.
	Front Bezel with function buttons	Bezel Ass'y w/ SPK White Bezel Ass'y w/o SPK White Bezel Ass'y w/ SPK Black Bezel Ass'y w/o SPK Black	714030000201 714030000211 714030000200 714030000210
	Hinge Cover	Cover Hinge White Cover Hinge Black	501020200401 501060200400
	Stand Cover	Stand Cover White Stand Cover Black	501020202001 501020202000
	Speaker	Speaker 1W 8ohm P=30mm	618100100100
	Back Cover + Mounting Bracket	Ass'y back cover white w/SPK Ass'y back cover white w/o SPK Ass'y back cover black w/SPK Ass'y back cover black w/o SPK	714050000401 714050000411 714050000400 714050000410
	EMI Shield	EMI Shield	502040602900
	I/F Board	PCBA I/F W/SPK PCBA I/F W/O SPK	790211400000 790211400001
	ASSY Stand & Hinge Black (714070011300)	Cover Stand Black	501020201800
		Hinge ASSY	502060100100
		Screw w/WAS T-3*8	509142308100
		Heat Press Adhesive 12*70	511110002000

	POW/INV Board	PCBA POW/INV	790211400000
	Key Pad	PCBA Keypad w/SPK PCBA Keypad w/o SPK	790211500000 790211500001
	Panel	LQ150X1LGN2	631102050060
	LVDS Cable	HRN Ass'y LVDS 20P 50mm	430302000080
	Chassis	Chassis	502090100600
	HRN 8P 160mm	HRN Ass'y 8P 160mm	430300800030
	HRN 5P 130mm	HRN Ass'y 5P 130mm	430300500110
	M/B Screw	Screw M3x6x0.45	509146306100
	Hinge screw	Screw M-3*8	509216308100
	LCD Mount screw		509216305300
	Power cord screw	Screw M-3*5	5092163055300
	Video Connector Bolt	#4-40, Ni	509000000700

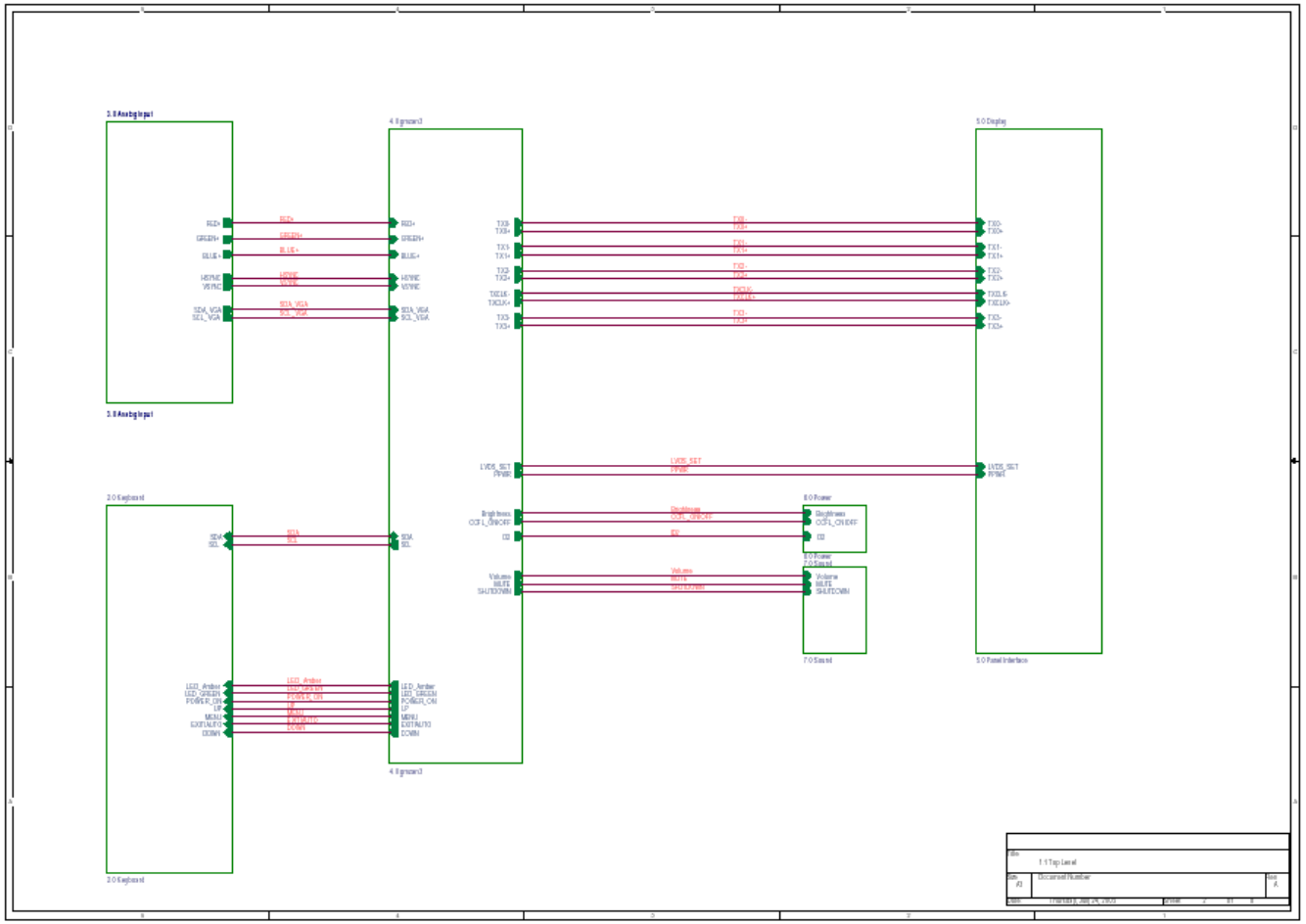
LE-1501 Schematic Diagram  
LVDS Interface PCBA 2 Layers PCB.

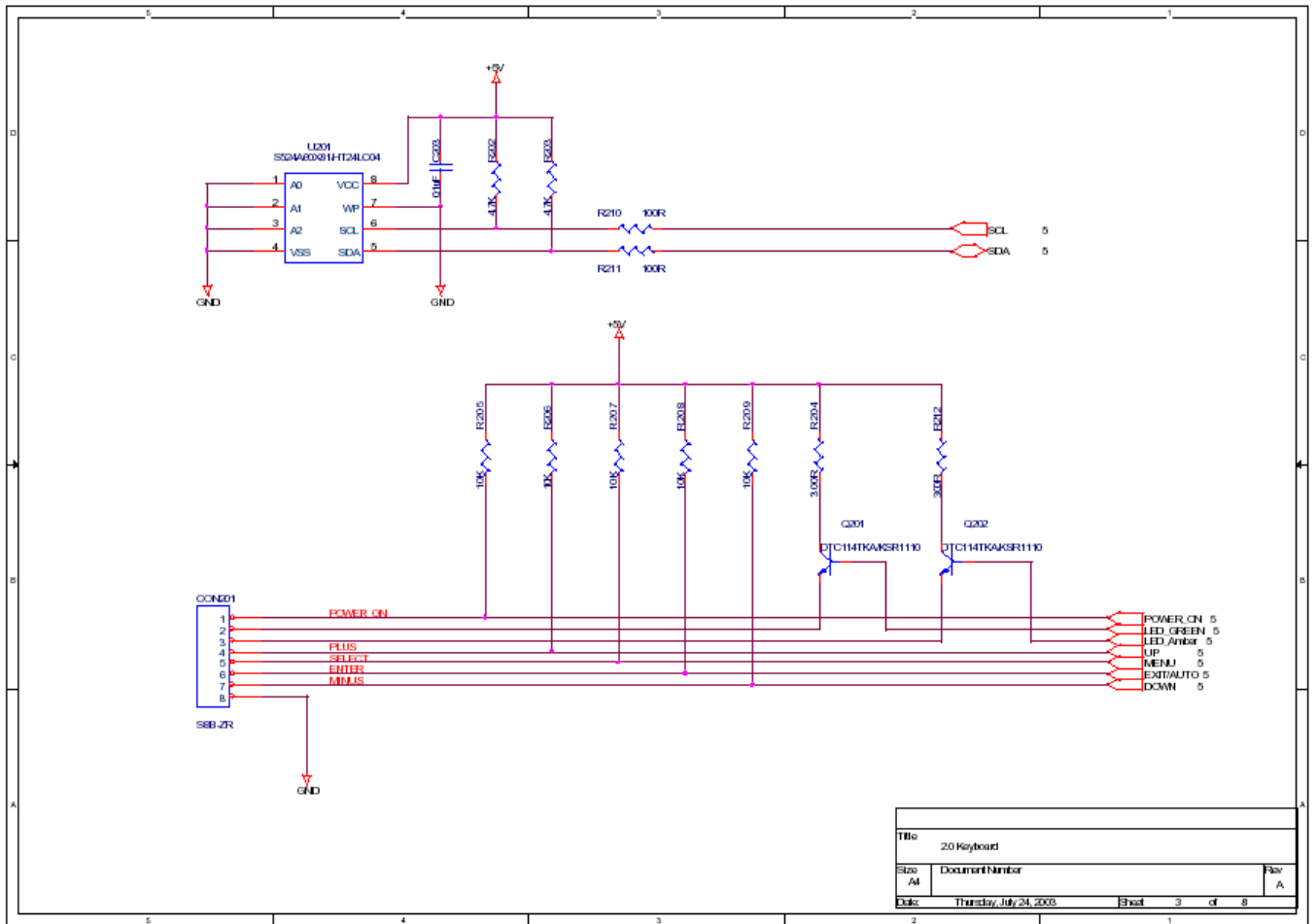
Reversion of History

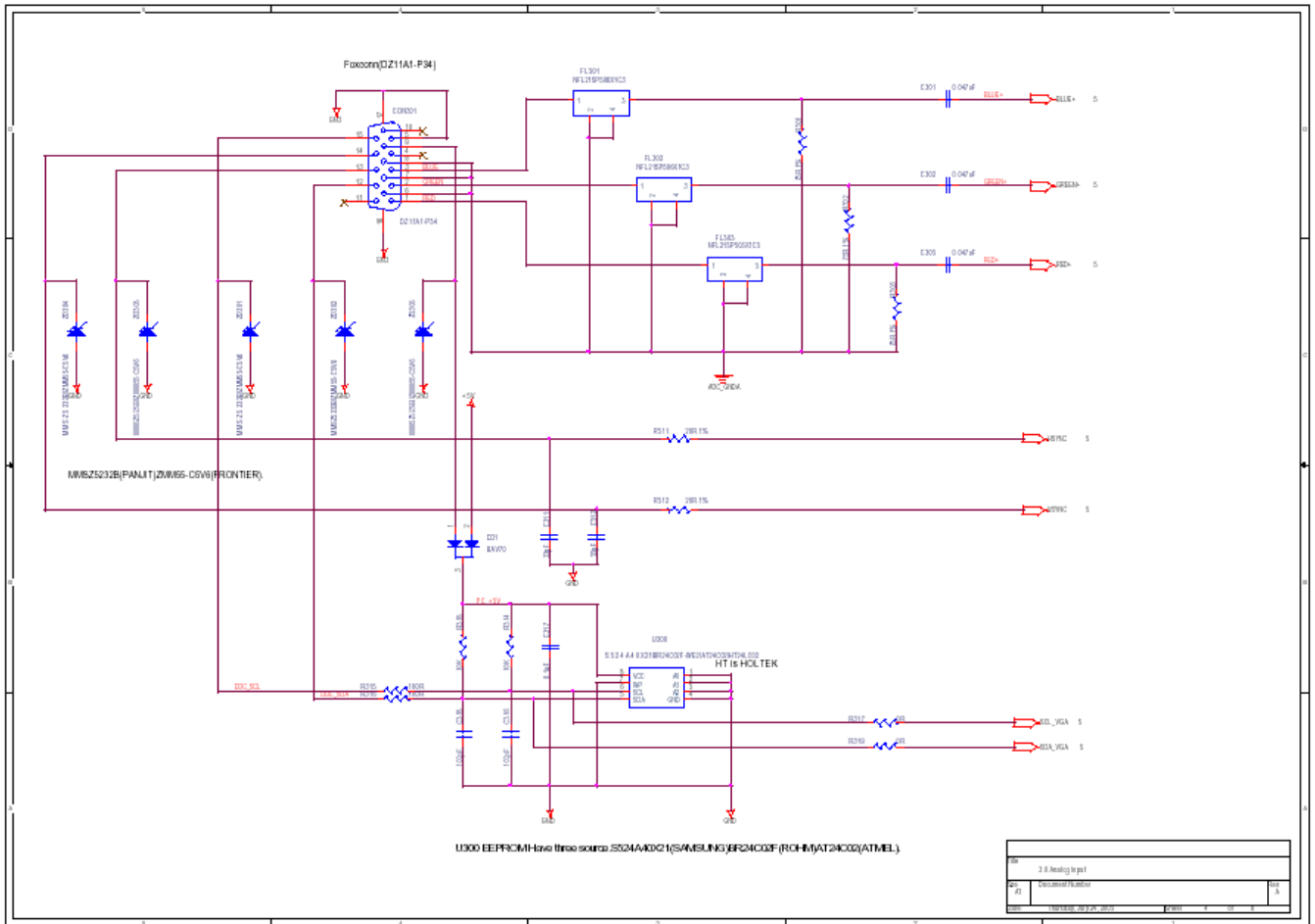
SCHEMATIC	SHEET
1.0 Contents, Revision History	1
1.1 Top Level	2
2.0 Keyboard	3
3.0 Analog Input	4
4.0 gmZAN3	5
5.0 Panel Interface	6
6.0 Power	7
7.0 Sound	8

REVA  
Designing for Sharp LQ150X1LGN2.

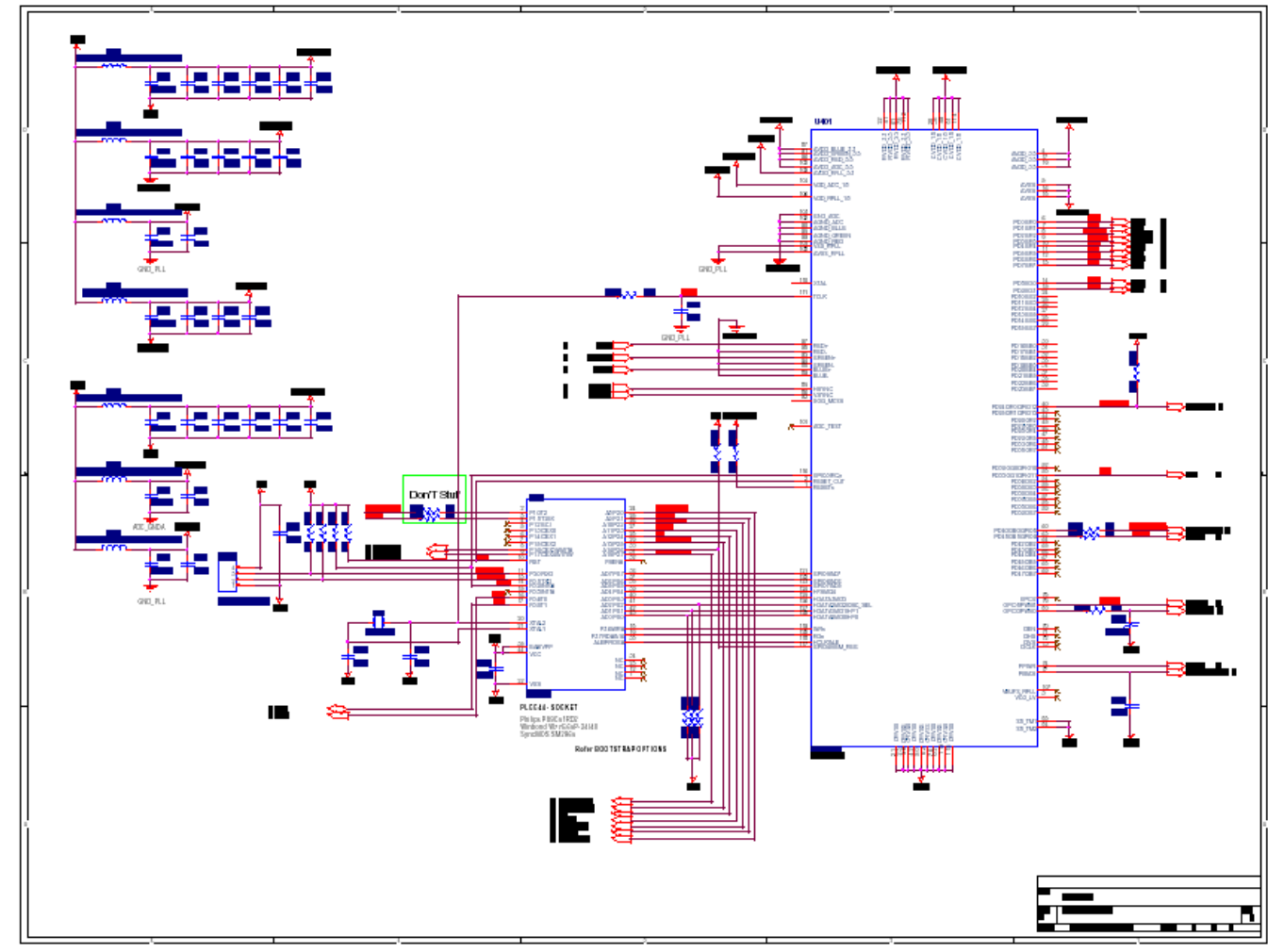
Title		
1.0 Content		
Size	Document Number	Rev
A4		A
Date:	Thursday, July 24, 2003	Sheet 1 of 8

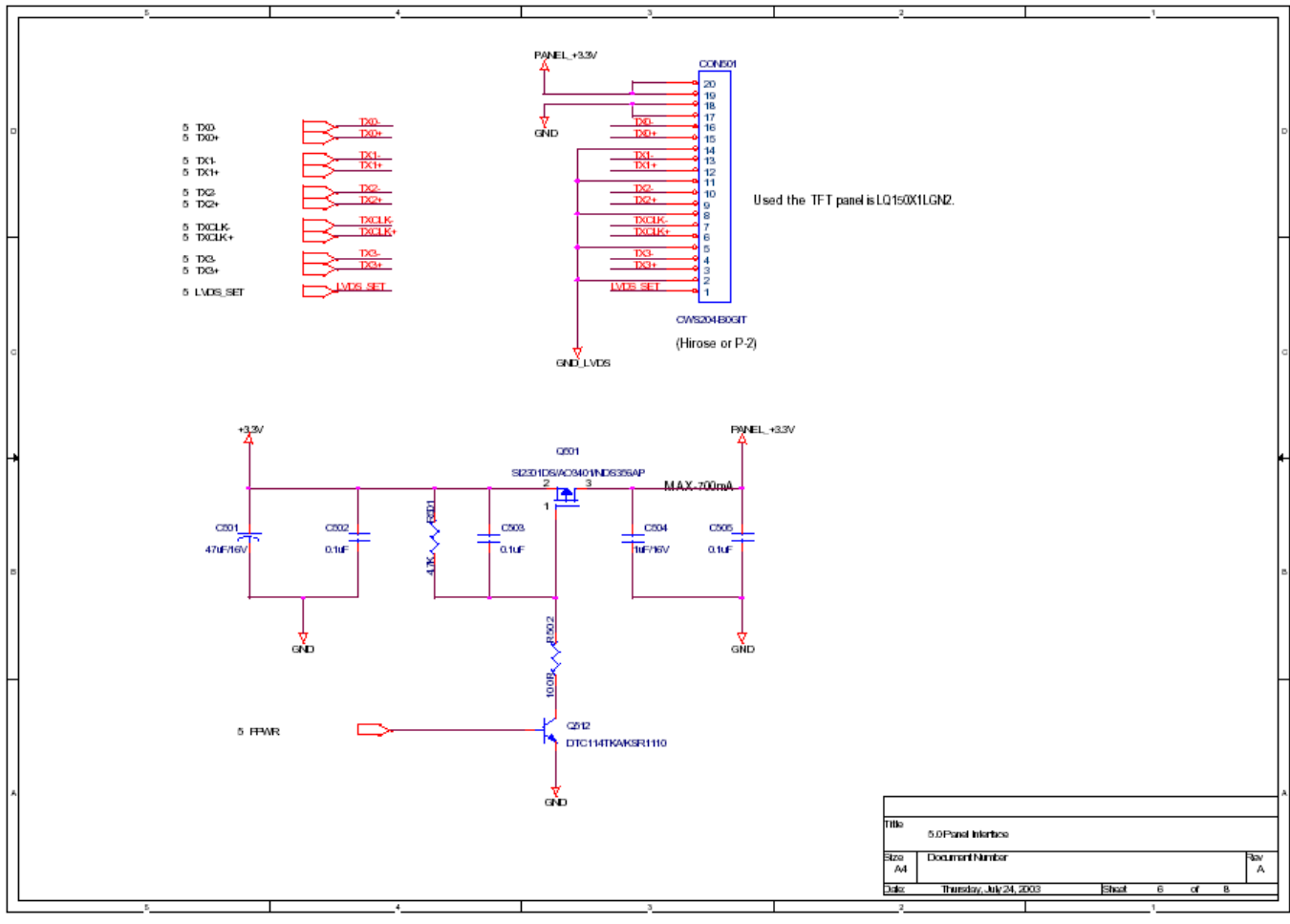




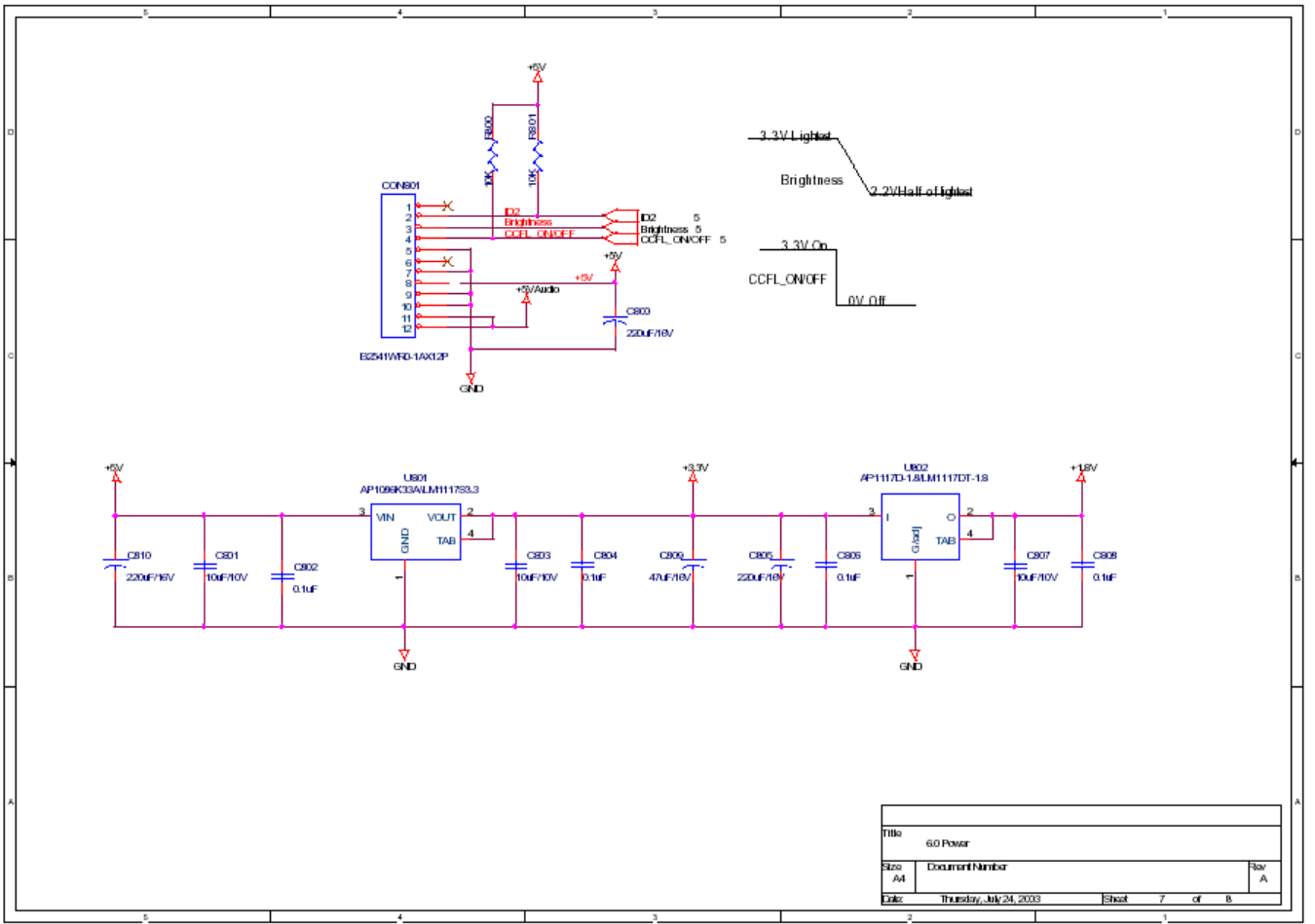


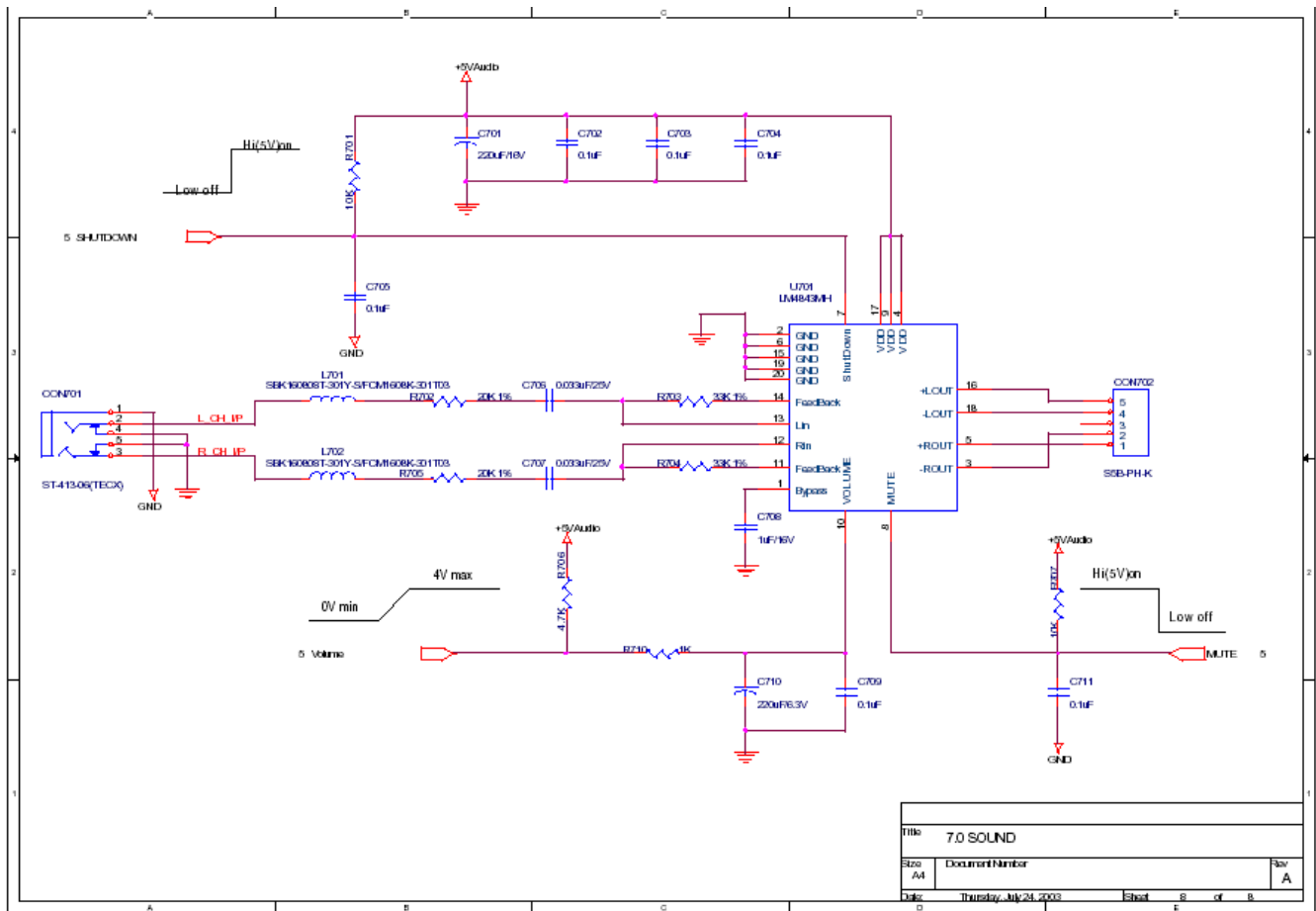


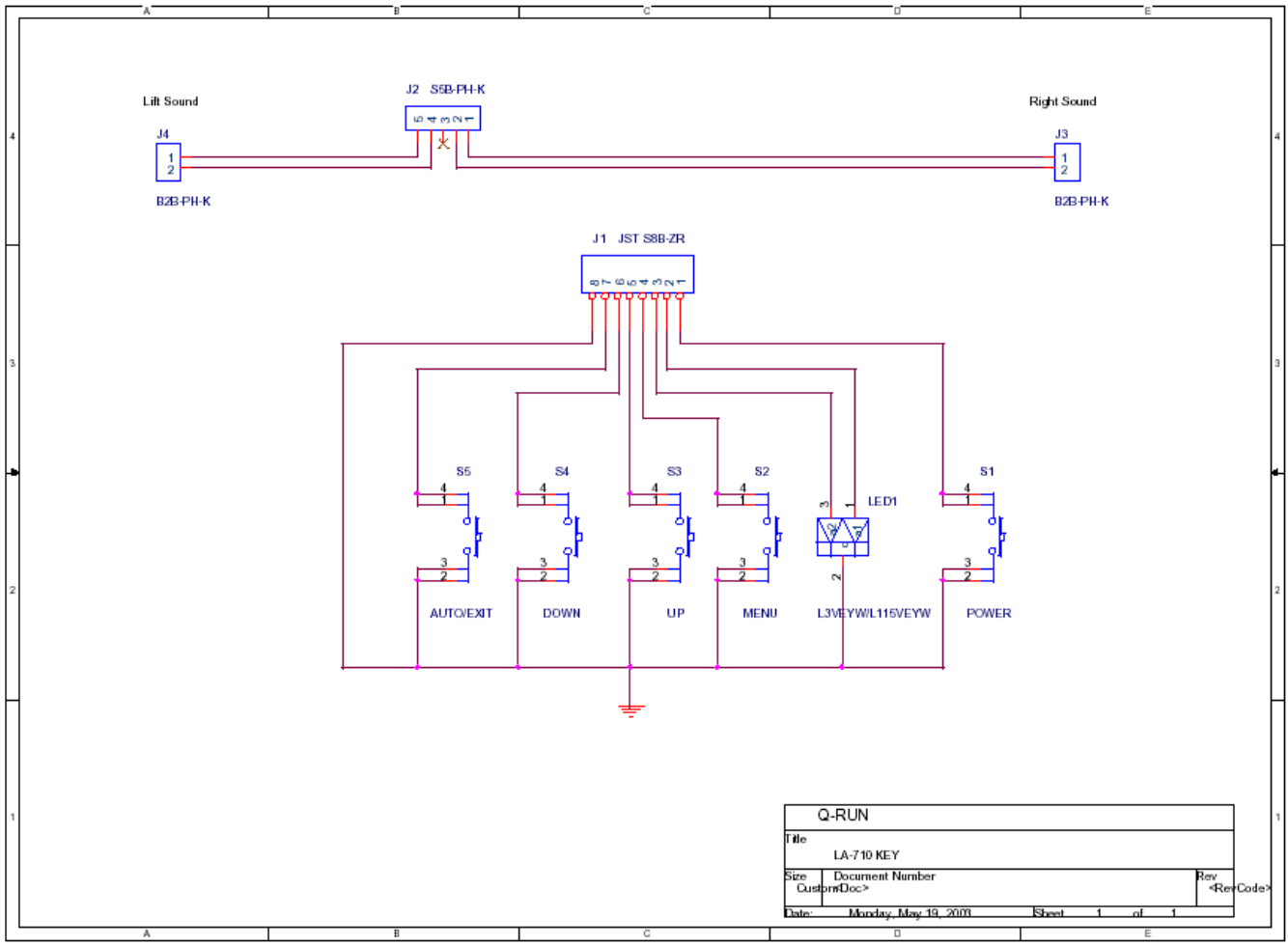




Title		5.0 Panel Interface	
Size	AM	Document Number	Rev A
Date	Thursday, July 24, 2003	Sheet	6 of 8







Q-RUN			
Title			
LA-710 KEY			
Size	Document Number	Rev	<Rev Code>
CustomDoc>			
Date	Monday, May 19, 2008	Sheet	1 of 1

