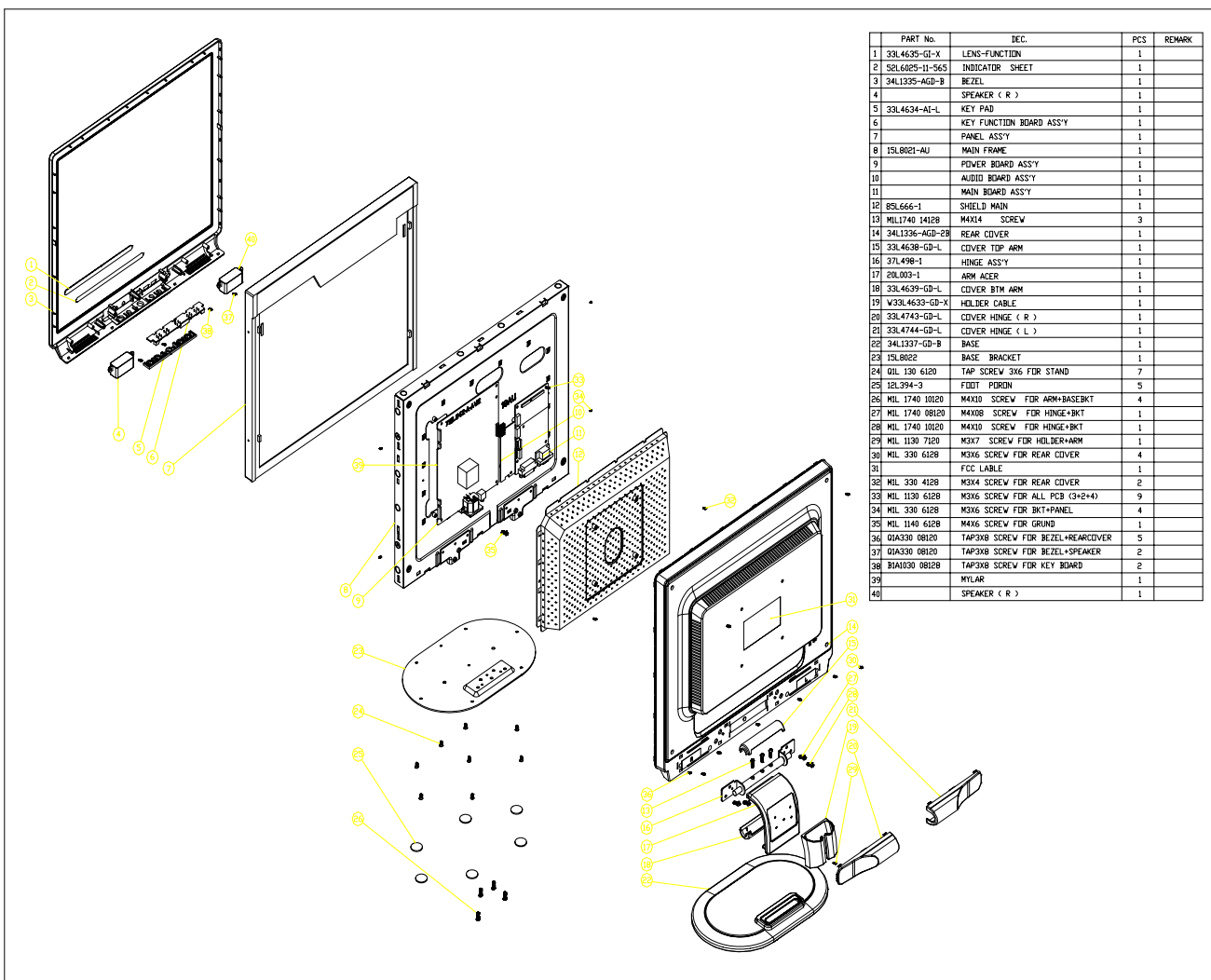


FRU (Field Replaceable Unit) List

This chapter gives you the FRU (Field Replaceable Unit) listing in global configurations of Acer Altos AL1921 .Refer to this chapter whenever ordering for parts to repair or for RMA (Return Merchandise Authorization).Please note that WHENORDERING FRU PARTS, you should check the most up-to-date information available on your regional web or channel. For whatever reasons a part number change is made, it will not be noted on the printed Service Guide. For ACER AUTHORIZED SERVICE PROVIDERS, your Acer office may have a DIFFERENT part number code from those given in the FRU list of this printed Service Guide. You MUST use the local FRU list provided by your regional Acer office to order FRU parts for repair and service of customer machines.

Note: To scrap or to return the defective parts, you should follow the local government ordinance or regulations on how to dispose it properly, or follow the rules set by your regional Acer office on how to return it.

Exploded Diagram

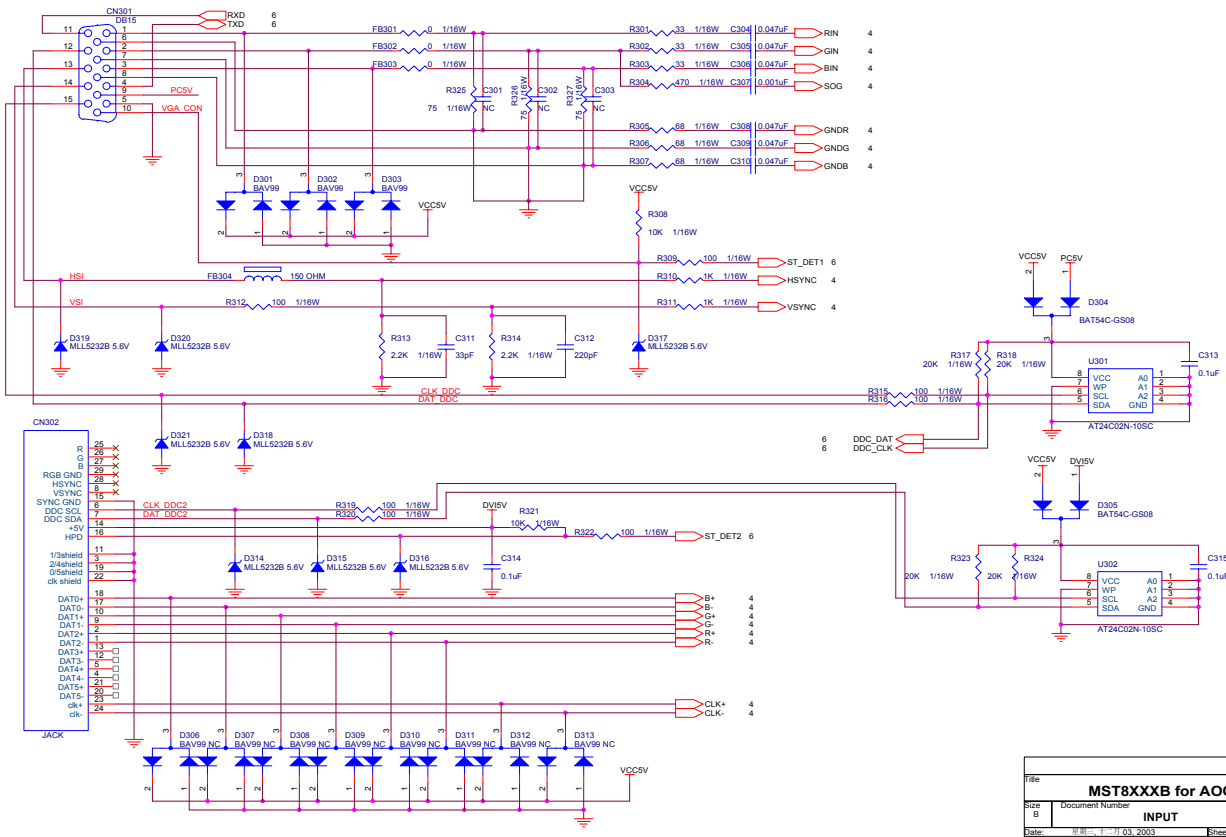


Note: Above picture show the description of the following component

Item	Picture	Description	Part No.
1		HOLDER CABLE	W33L4633-GD-X
2		ARM	20L003-1
3		SCREW	M1L 330 6120
4		SCREW	Q1L 130 6120
5		FOOT-PORON	12L 394 3
6		BASE	34L1337-GD-B
7		BASE PLATE	15L8022 -1
8		HINGE	37L-498 -1
9		SHIELD	85L-666-1
10		MAIN FRAME	15L8021-1
11		Key pad	33L4634-AI -L
12		REAR COVER	34L1336-AGD-2B

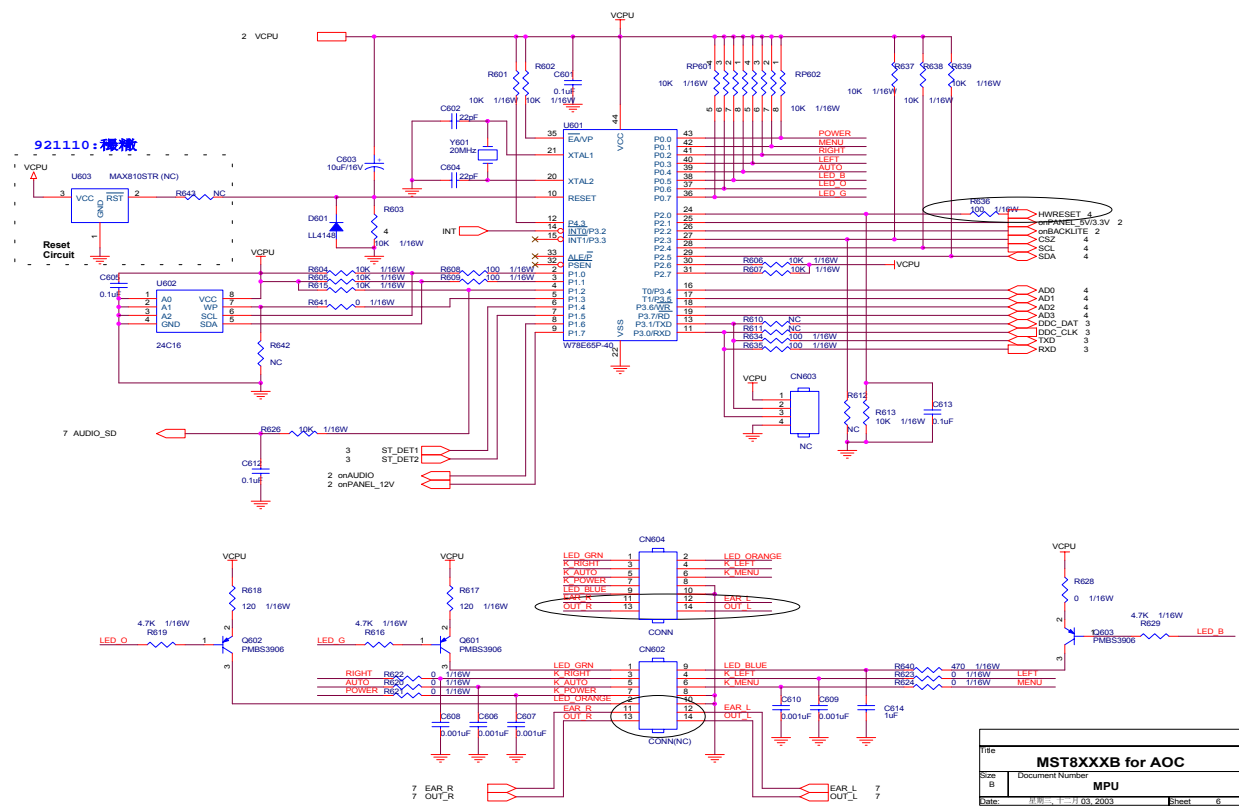
Schematic Diagram

Analog And Digital Input

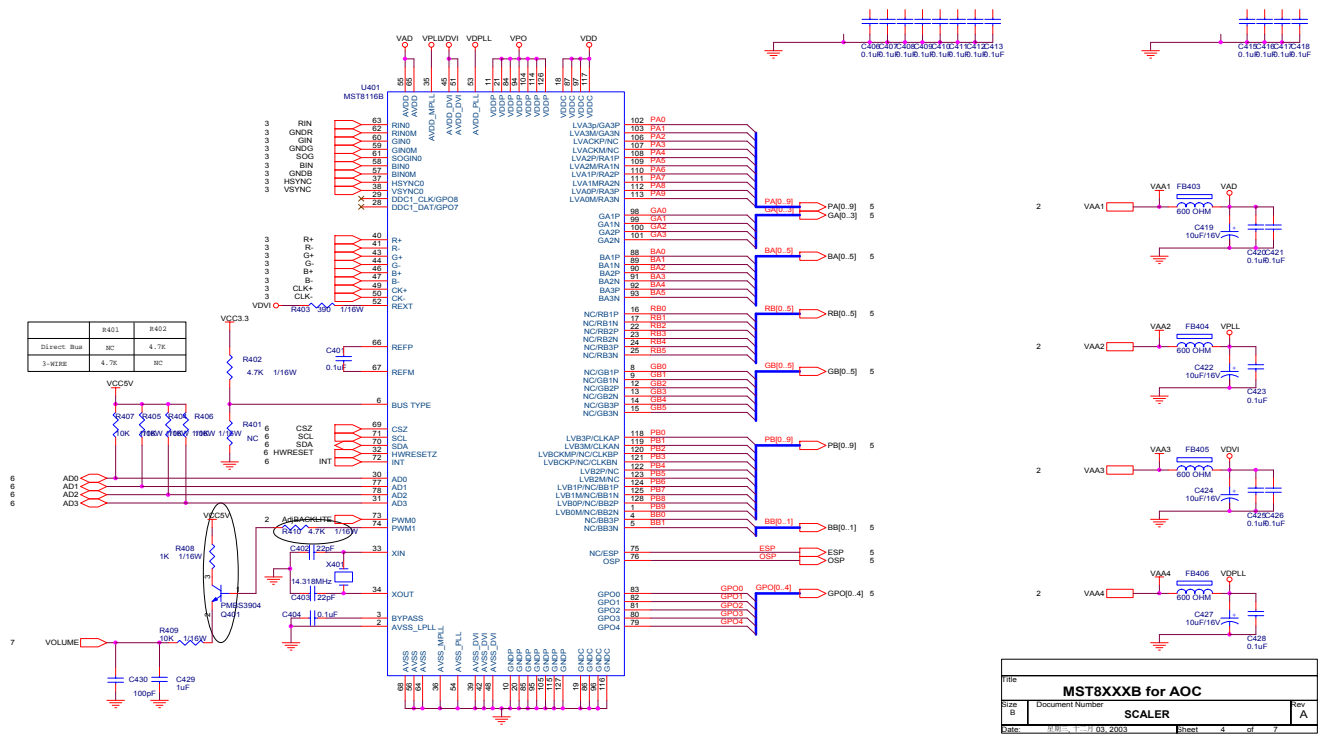


File: MST8XXXB for AOC	
Size B	Document Number: INPUT
Date: 11月11日 11:03, 2003	Sheet: 3 of 7

MST8131B

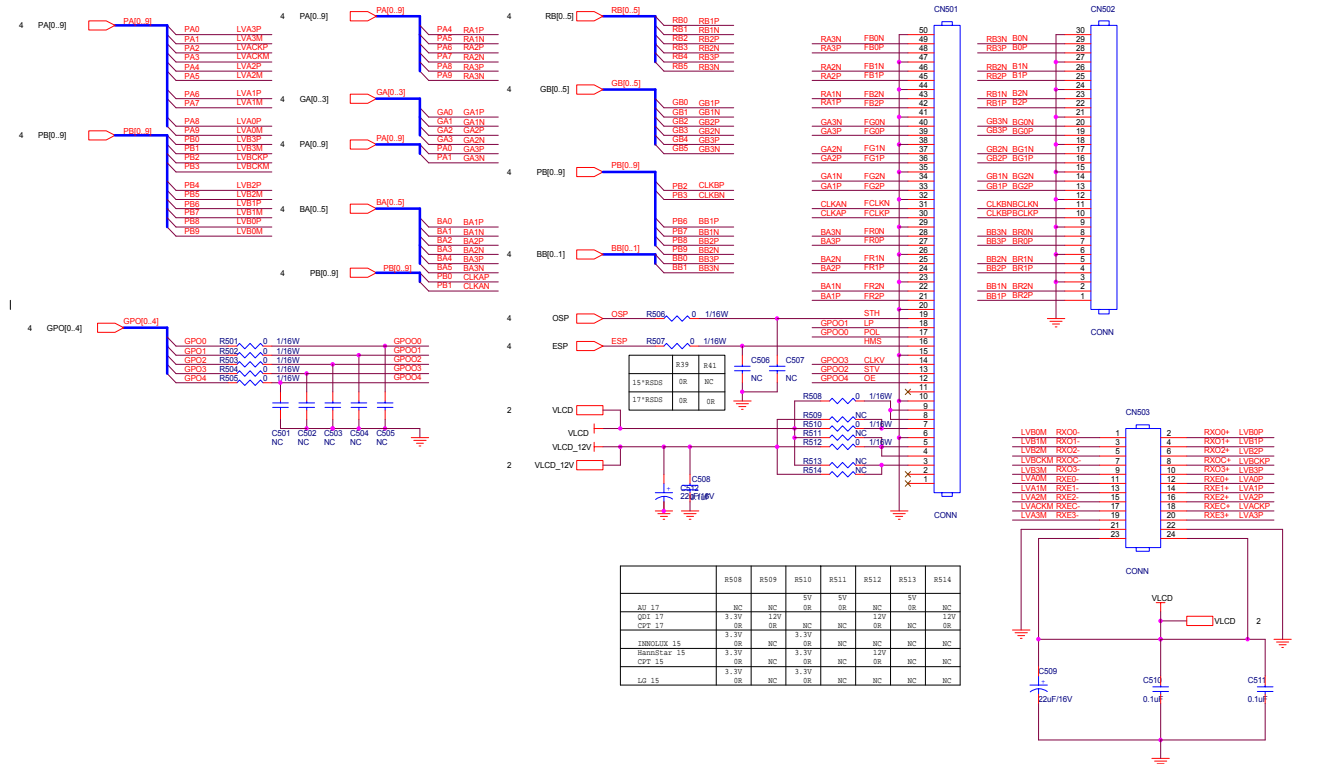


File: MST8XXXB for AOC	
Size B	Document Number: MPU
Date: 11月11日 11:03, 2003	Sheet: 6 of 7



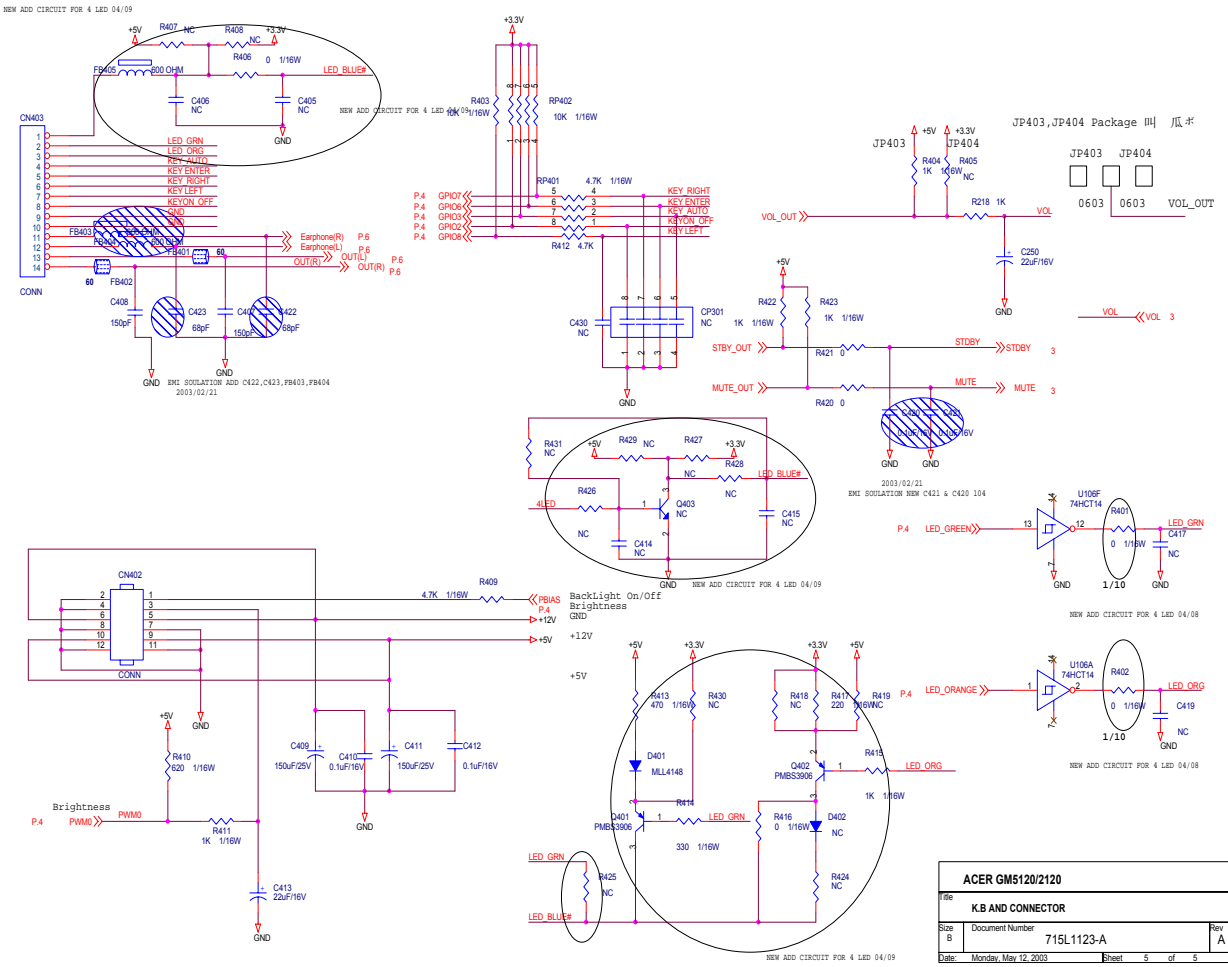
File	MST8XXX for AOC		Rev	A
Size	B	Document Number	SCALER	
Date	11/01/03	03_2003	Sheet	4 of 7

LVD-S



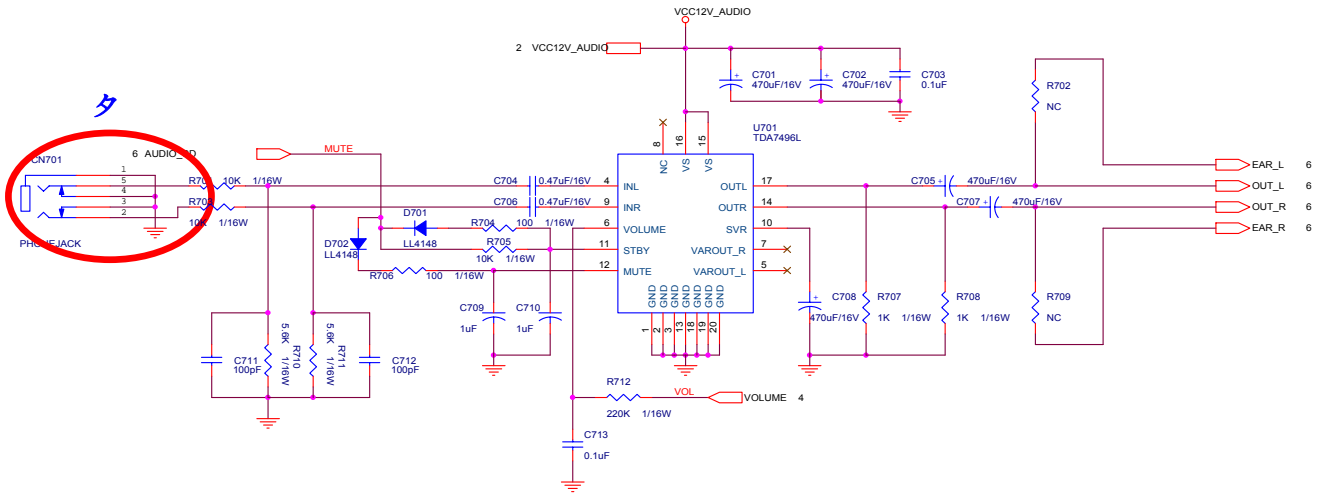
File	MST8XXX for AOC		Rev	A
Size	B	Document Number	PANEL INTERFACE	
Date	11/01/03	03_2003	Sheet	5 of 7

Key Board Connector

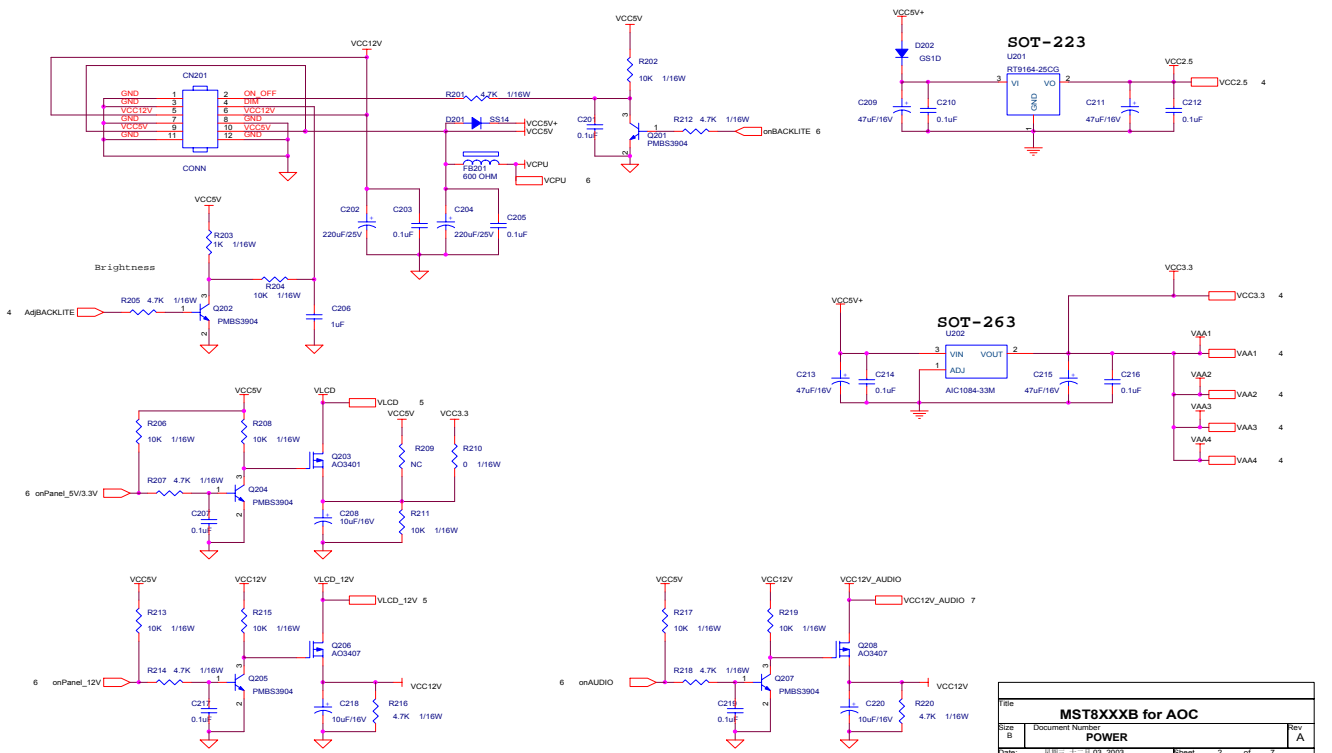


ACER GM5120/2120	
File	
K.B AND CONNECTOR	
Size	Document Number
715L1123-A	
Rev	
A	
Date	Monday, May 12, 2003
Sheet	5 of 5

Audio



DC Power



File		
MST8XXXB for AOC		
Size	Document Number	Rev
B	POWER	A
Date	1/11/2003	Sheet 2 of 7