



Service Manual

**15-inch LCD Monitor
H15AAX**

Service Manual Versions and Revision

No.	Version	Release Date	Revision
1.	1.0	Jan. 31, 2002	Original release

Copyright

Copyright 2002 LiteOn Technology Corp.

All Rights Reserved

This manual may not, in whole or in part, be copied, photocopied, reproduced, translated, or converted to any electronic or machine readable form without prior written permission of LiteOn Technology Corp.

H15AAX (AL502) Service Manual.

Printed in Taiwan.

Trademarks

LiteOn is a registered trademark of LiteOn Technology Corp.

All other trademarks are the property of their respective owners.

300

[REDACTED]

■

1. Audio circuit (Circuit diagrams Main PWB)

1.1 Audioinput

The audio signal input received from the audio input terminal (JK011) is applied to the amplifier I001 of 4 (L-CH) and 9 (R-CH) through the low-pass filter consisting of R040, R041, R042, R043, C040 and C041.

In this amplifier, controls of Volume and mute are conducted. The audio signal controlled at the pin 6 determines the attenuation of output of the amplifiers. Since then, the signal is output to the jack P003.

1.2 Audiooutput

The audio signal is output from P002 output terminal of the Audio block to the internal speaker system.

2. Power supply (Circuit diagrams MAIN PWB)

2.1 Line filter consists of C801, T801, C802, C803, C804. It eliminates high frequency interference to meet EMI's requirement.

2.2 Rec & Filter :

Bridge diode D801 converts AC source into pulsed DC. This pulsed DC is smoothed and filtered by C805.

R802 is an NTC (negative thermal coefficient) resistor, used to reduce inrush current to be within safe range.

2.3 Power transformer :

T802 converts energy for square wave from power source C805 to secondary side to generate +12V and +5V.

2.4 Output :

The square wave from T802 is rectified by D809, D810, then filtered by C817, C822 to generate +12V and +5V respectively.

2.4.1 A 5V power supply for LCD module, CPU and logic is generated from the power source.

2.4.2 I308 : 3-terminal regulator

A 3.3V power supply for I306 analog is generated from the 5V source.

2.4.3 I308 : 3-terminal regulator

A 3.3V power supply for I306 digital is generated from the 5V source.

Q302, Q303 ON/OFF control for LCD Module

ON/OFF control is performed for power ON/OFF and also for the power saving sequence.

2.5 Driver :

Q803 drive T802 from PWM control of I801 for power converted.

2.6 FB :

Negative feedback CKT consists of photo coupler I802 and adjustable regulator I803. It can maintain output voltages +5V and +12V at a stable level.

2.7 PWM :

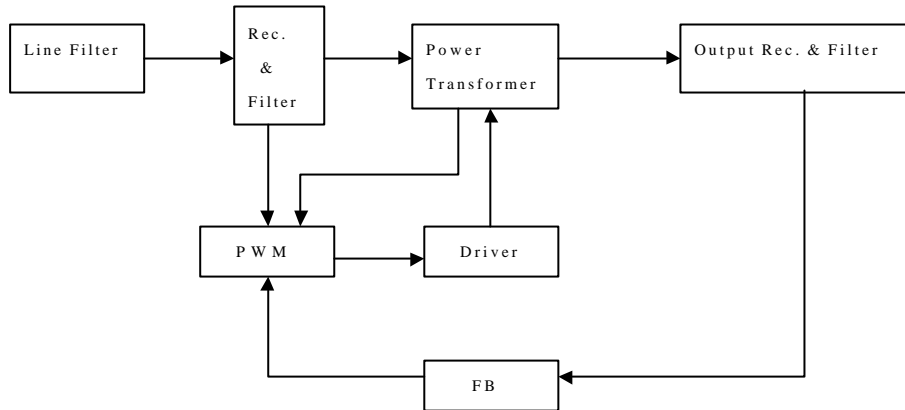
2.7.1 *Start* : When power is turned on, Q801 conducts due to bias from C805 and R805, R803. C807 is charged a 16 volt and a starting current about 0.3mA to pin 7 of I801. I801 starts to oscillate and outputs a pulse train through pin 6 to drive Q803.

2.7.2 *OPP* : When Q803 turns on, C805 supplies a linearly increasing triangle current through the primary inductance of T802 to the driver Q803, once the peak value of this current multiplied by R811 exceeds 1 volt, pulse train will be shut down immediately to protect Q803, T802 from being burned out.

2.7.3 *Regulation* : If output voltage +5V goes up, the R terminal of I803 gets more bias, accordingly photo transistor and photo diode flows more current. The voltage of pin 2 goes up too, making the pulse width of pin 6 to become narrower. So the output voltage +5V will be pulled down to a stable value.

- 2.7.4 *OVP* : If +5V goes up too much, the induced voltage on pin 4 of T802 becomes large also. Suppose that it is over 18 volts, ZD801 conducts, pin 3 of I801 is pulled up over 1 volt. The pulse train at pin 6 goes down to zero, shutting Q803 off immediately.
- 2.7.5 *SCP* : If output terminal is short to ground, photo transistor does not conduct, hence Q806 does not conduct either. Then oscillation of I801 is stop, shutting Q803 off immediately.

H15AAU / H15AAR Power Board Block Diagram



3. On-screen circuit (Circuit diagrams Main PWB)

I300 Embedded function.

On-screen menu screen is established and the resultant data are output from I300 (Circuit diagram MAIN PWB).

4. Video input circuit (Circuit diagram MAIN PWB)

The AC-coupled video signal is used to clamp the black level at 0V).

5. Definition converter LSI peripheral circuit (Circuit diagram MAIN PWB)

I301 MRT V2 gmZAN1 is the definition A/D converter LSI.

The analog R, G, B signal input entered from the video input circuit is converted into the digital data of video signal through the incorporated A/D converter. Based on this conversion, this device performs interpolation during pixel extension. The source voltage for this device is 3.3V and the system clock frequency is 12MHz.

The withstand voltage level for the input signal voltage is 3.3V and 5V.

6. System reset, LED control circuit (Circuit diagram MAIN PWB)

6.1 System reset

System reset is performed by detecting the rising and falling of the 5V source voltage at I302.

6.2 LED control circuit

Green / amber is lit with the control signal of the LED GREEN and LED AMBER signal pin 43, 42 from I303 (Circuit diagram MAIN PWB).

7. E²PROM for PnP (Circuit diagram MAIN PWB)

8. E²PROM (Circuit diagram MAIN PWB)

Data transfer between I304 and CPU (Circuit diagram MAIN PWB page 4/7 (I303) is effected through the IIC bus SCL (pin 9) and SDA (pin 8) of I300 or SCL (pin 42) and SDA pin 39 of I301. The data to be transferred to each device are stored in I304.

- I300 control data.
- OSD related setting data.
- Other control data for service menu.

9. CPU circuit (Circuit diagram MAIN PWB)

I303 (MTV312M64) (SM89516C25) or (W78E62BP-40) functions as the CPU.

The source voltage for the device is 5.0V and the system clock frequency is 12MHz.

9.1 Detection of POWER switch status

The CPU identifies the ON status of the two power supplies. The identification is made when the power supply is turned off. For example, if the power supply is turned off with the POWER switch, the POWER switch must be turned on when activating the power supply again. If the power supply is turned off by pulling out the power cord, then this power supply can be turned on by connecting the power cord, without pressing the POWER switch.

9.2 Display mode identification

9.2.1 Functions

(1) Display mode identification

- The display mode of input signal is identified based on Table 1, and according to the frequency and polarity (HPOL, VPOL) of horizontal or vertical sync signal, presence of the horizontal or vertical sync signal, and the discrimination signal (HSYNC_DETECT, VSYNC_DETECT).
- When the mode has been identified through the measurement of horizontal and vertical frequencies, the total number of lines is determined with a formula of " Horizontal frequency / Vertical frequency = Total number of lines. "Final identification can be made by examining the coincidence of the obtained figure with the number of lines for the mode identified from the frequency.
- When the detected frequency if the sync signal has changed, the total number of lines should be counted even through it is rge identified frequency in the same mode. Then, it is necessary to examine whether the preset value for the vertical display position of Item 4-3 has exceeded the total number of lines. If exceeded, a maximum value should be set up, which does not exceed the vertical display position of Item 4-3.

(2) Out-of -range

This out-of-range mode is assumed when the frequency of the horizontal / vertical signal is as specified below.

- Vertical frequency : Below 50Hz or above 85Hz
- Horizontal frequency : Below 24 KHz or above 75 KHz

(3) Power save mode

The power save mode is assumed when the horizontal / vertical signals are as specified below.

- If there is no horizontal sync signal input.
- If there is no vertical sync signal input.
- If the horizontal sync signal is outside the measuring range of I300.
- If the vertical sync signal is outside the measuring range of I300.

Table 1

Mode	No	Resolution	H-freq (KHz)	Band Width (MHz)	Polarity	
					H	V
1.	247	VGA 720 x 350 70Hz	31.47	28.322	+	-
2.	102	VGA 720 x 400 70Hz	31.47	28.322	-	+
3.	103	VGA 640 x 480 60Hz	31.47	25.175	-	-
4.	182	MAC 640 x 480 66Hz	35	32.24	-	-
5.	173	VESA 640 X 480 72Hz	37.86	31.5	-	-
6.	109	VESA 640 X 480 75Hz	37.5	31.5	-	-
7.	104	VESA 800 x 600 56Hz	35.16	36	+	+
8.	116	VESA 800 x 600 60Hz	37.88	40	+	+
9.	110	VESA 800 x 600 75Hz	46.88	49.5	+	+
10.	117	VESA 800 x 600 72Hz	48.08	50	+	+
11.	108	MAC 832 x 624 75Hz	49.72	57.283	-	-
12.	118	VESA 1024 x 768 60Hz	48.36	65	-	-
13.	217	SUN 1024 x 768 65Hz	52.45	70.49	-	-
14.	157	VESA 1024 x 768 70Hz	56.48	75	-	-
15.	141	VESA 1024 x 768 75Hz	60.02	78.75	+	+

Attention :

1. When resolution beyond 1024 x 768 is inputted, resolution is lowered with Down scaling to 1024 x 768, and indicated, and OSD should indicate OUT of Range.

9.3 User Control

9.3.1 Related ports of I303

Port	Pin No.	I/O	Signal name	Function	Remarks
P1.5	7	I	POWER	Power switch input	Power ON , OFF control
P1.1	3	I	DOWN	▼ switch input	(▼) key
P1.0	2	I	UP	▲ switch input	(▲) key
P1.3	5	I	-	- switch input	(-) key
P1.2	4	I	+	+ switch input	(+) key

9.3.2 Functions

Control is effected for the push-switches to be used when the user changes the parameters, in order to modify the respective setting values. Whether the switch has been pressed is identified with the switch input level that is turned "L".

Each switch input port is pulled up at outside of ASIC.

Each parameter is stored in the EEPROM, the contents of which are updated as required.

9.4 Control of definition converter LSI I300.

9.4.1 Ports related to control

Pin No.	I/O	Signal name	Function
159	I	IRQ	interrupt signal
5	I/O	SCL	serial clock
6	I/O	SDA	serial data

9.4.2 Functions

Major function of I300 are as follows:

- (1) Expansion of the display screen.
- (2) Timing control for various signal types.
- (3) Power-supply sequence (LCD panel).

9.5 I²C bus control

9.5.1 Related ports of I303

Port	Pin No.	I/O	Signal name	Function
P1.7	14	O	SCL	IIC bus clock
P1.6	13	I/O	SDA	IIC bus data

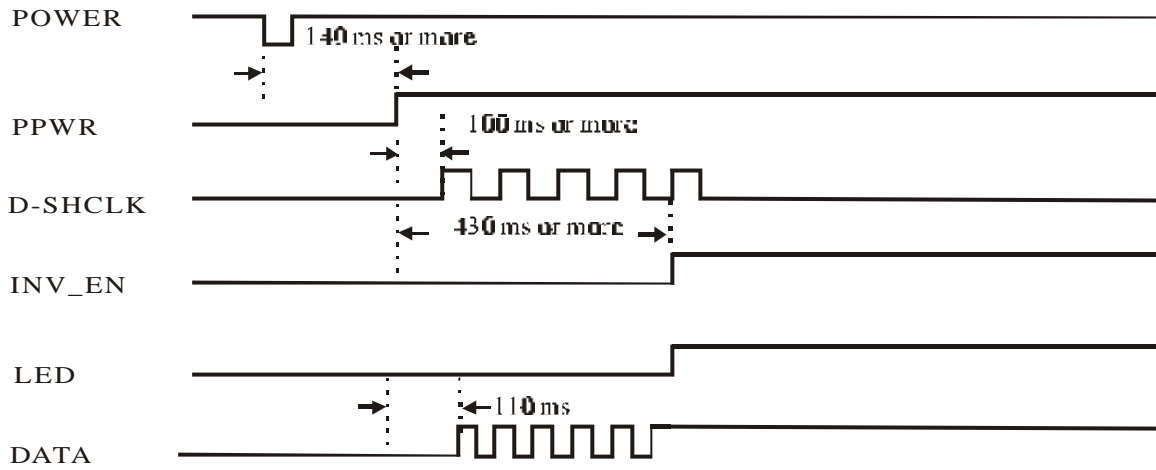
9.5.2 I²C-controlled functions

The following functional controls are effected by I²C.

- (1) Control of EEPROM I304 for parameter setting.

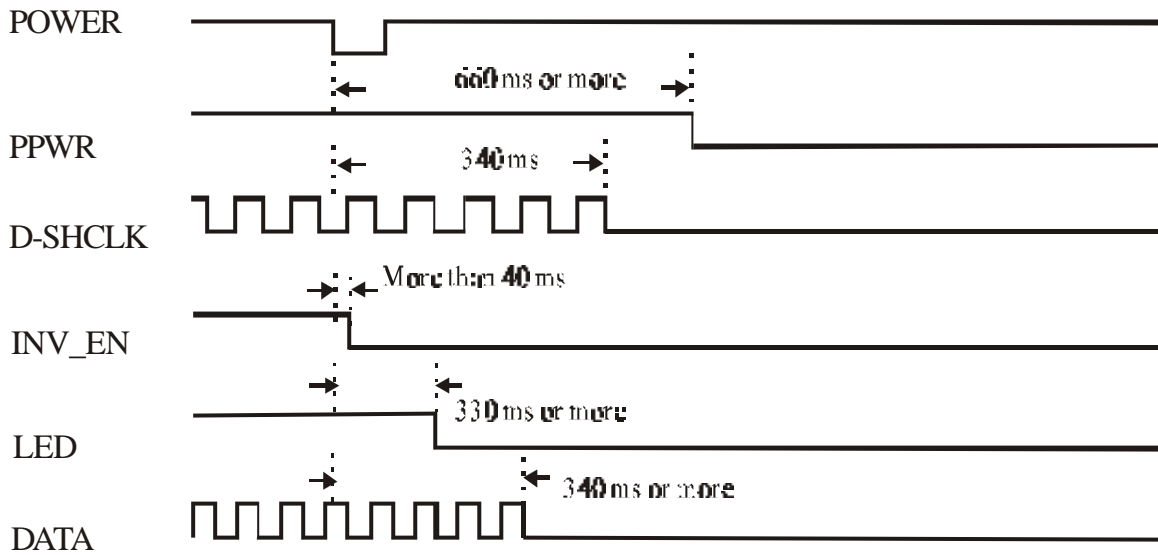
9.6 Power ON sequence

When the POWER switch is pressed, the POWER OFF signal is turned “H”. When this “H” potential is detected, the CPU begins to establish the respective power supplies according to the sequence shown below.



9.7 Power OFF sequence

When the POWER switch is pressed while the power supply is ON, the POWER ON signal is turned "H". When shown below, this "H" potential is detected, the CPU begins to turn off the respective power supplies according to the sequence



10. Inverter

This unit operates on an output voltage of 15V from power source.

- 10.1 Regulator: Q101 get a +5VDC for I102 power supply.
- 10.2 UVP: Q106 turns off when the Vin is under 14V. Then pin 3 of I102 is pulled low and inverter off immediately. That is the under voltage protection.
- 10.3 Control IC: I102 (OZ960S)
 - 10.3.1 Enable : When pin 3 of I102 is over 1.5V, I102 works. If it is under 1.5V, I102 turns off.
 - 10.3.2 OSC: When I102 enabled, R108/C115 (pin 17/pin18 of I102) determine the operating frequency.
 - 10.3.3 SST: C104 (pin 4 of I102) provides soft start function.
 - 10.3.4 Ignition: R109 (pin 8 of I102) provides higher operating frequency for more striking voltage until regulation of feedback of lamp current. C103 (pin 1 of I102) determine the striking time.
 - 10.3.5 Dimming control: The divided voltage of R106/R105/R104 control the duty pulse of burst-mode to drive Q105 and perform a wide dimming control for the CCFL. The burst-mode frequency is determined by C116.
 - 10.3.6 Regulation: Pin 9/pin 10 of I102 provide regulation of the CCFL current from feedback. The non-inverting reference (pin 10 of I102) is at 1.25 V nominal.
 - 10.3.7 Protection: Open-lamp protection in the ignition period is provided through both pin1 and pin2 of I102. Removal of the CCFL during normal operation will trigger Q104 to turns on and shuts off the inverter. This is latch function.
 - 10.3.8 Output drivers: The configuration prevents any shoot-through issue associated with bridge-type power conversion applications. Adjusting the overlap conduction between I101 P-MOSFET and I103 N-MOSFET, I101 N-MOSFET and I103 P-MOSFET, the CCFL current regulation is achieved.
- 10.4 Full-bridge switching/Transformer: I101/I103 /C123/C125/T101/T102 compose full-bridge switching to convert DC into AC for driver the CCFL.
- 10.5 Detection: C124/C119/CR102 detect the output voltage and ensure a rated voltage by pin2 of I102. Q102/Q103 ensure not a open-lamp.
- 10.6 Feedback: CR101/R120/R121/D108 sense the lamp current for negative feedback and regulation. The divided voltage on R121 will be at 1.25V.

Inverter Board Block Diagram

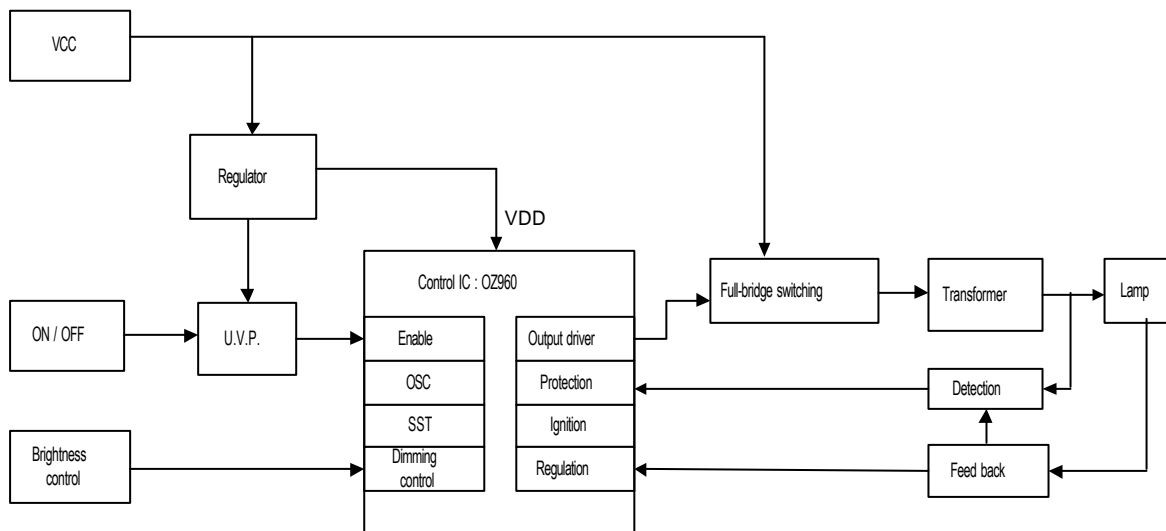
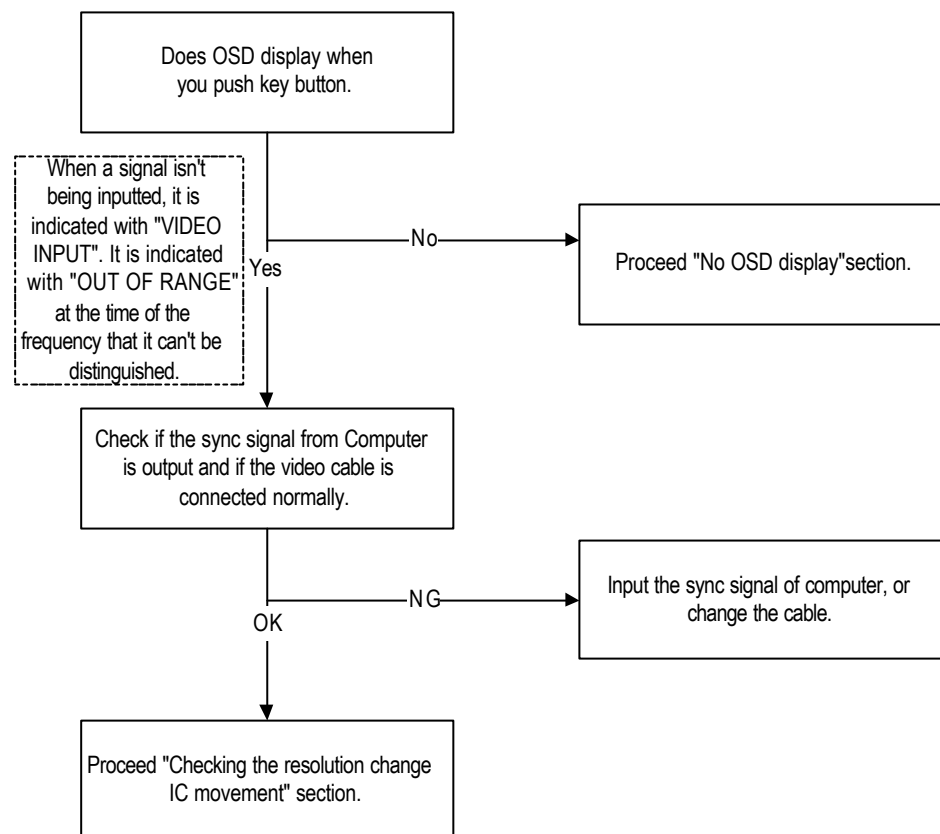


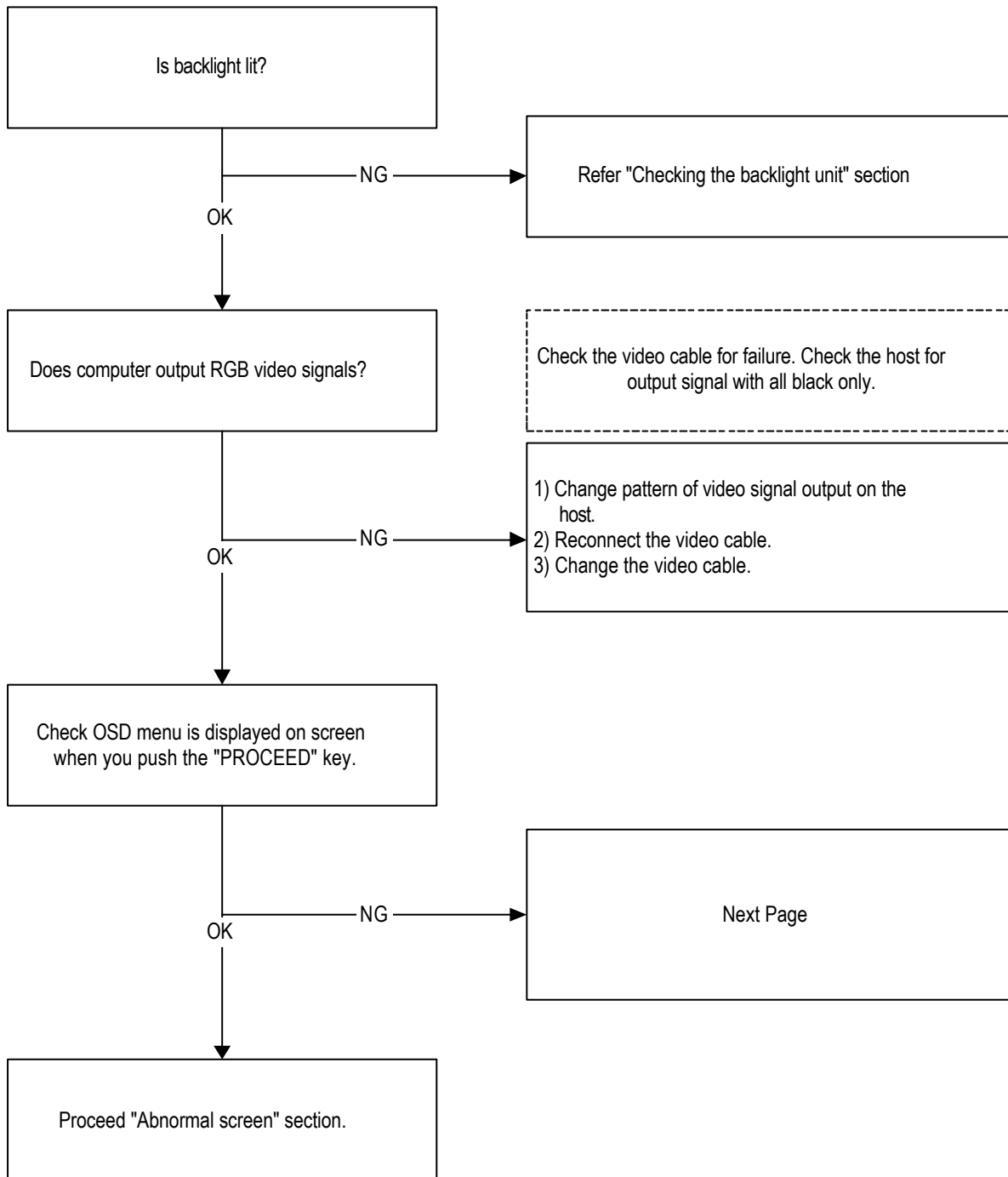
Table of Contents

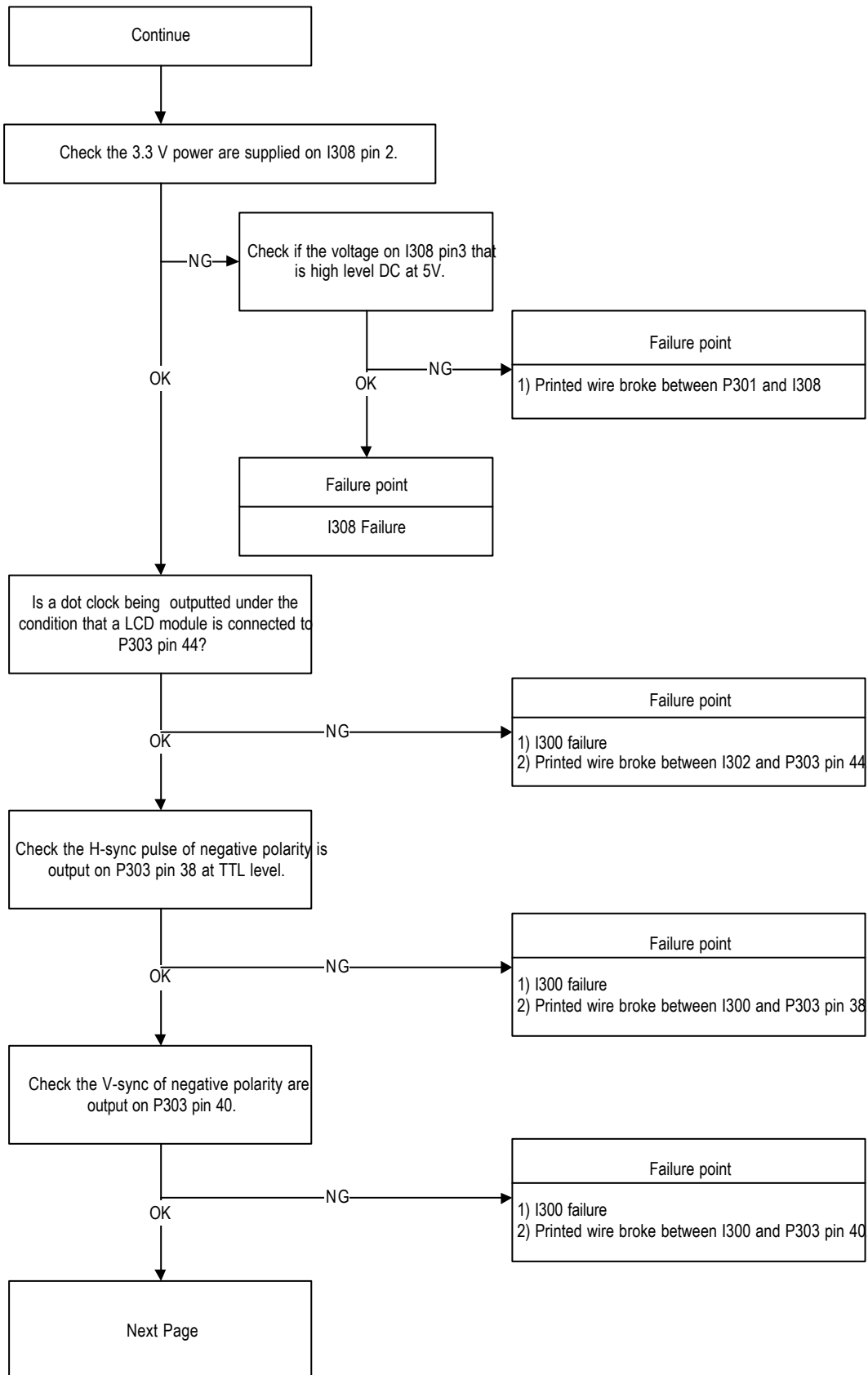
1. No display of screen (Screen is black, color of LED is amber)-----	1
2. Nothing displays on screen (Screen is black, color of LED is green)-----	2
3. Checking the back light unit -----	5
4. Abnormal screen -----	6
5. No OSD display -----	7
6. Abnormal plug and play operation -----	8
6.1 Abnormal DDC2 -----	8
7. Checking the interface circuit of sync signal -----	9
7.1 Checking the control circuit of horizontal sync pulse -----	9
7.2 Checking the control circuit of vertical sync pulse -----	9
8. Checking the resolution change IC movement -----	10
9. No power on -----	11
9.1 No power on (I)-----	11
9.2 No power on (II) -----	12
10. Checking the DC/DC converter circuit -----	13
11. Checking the operation of CPU -----	14
12. Checking the audio circuit -----	15
13. Checking inverter board circuit -----	16

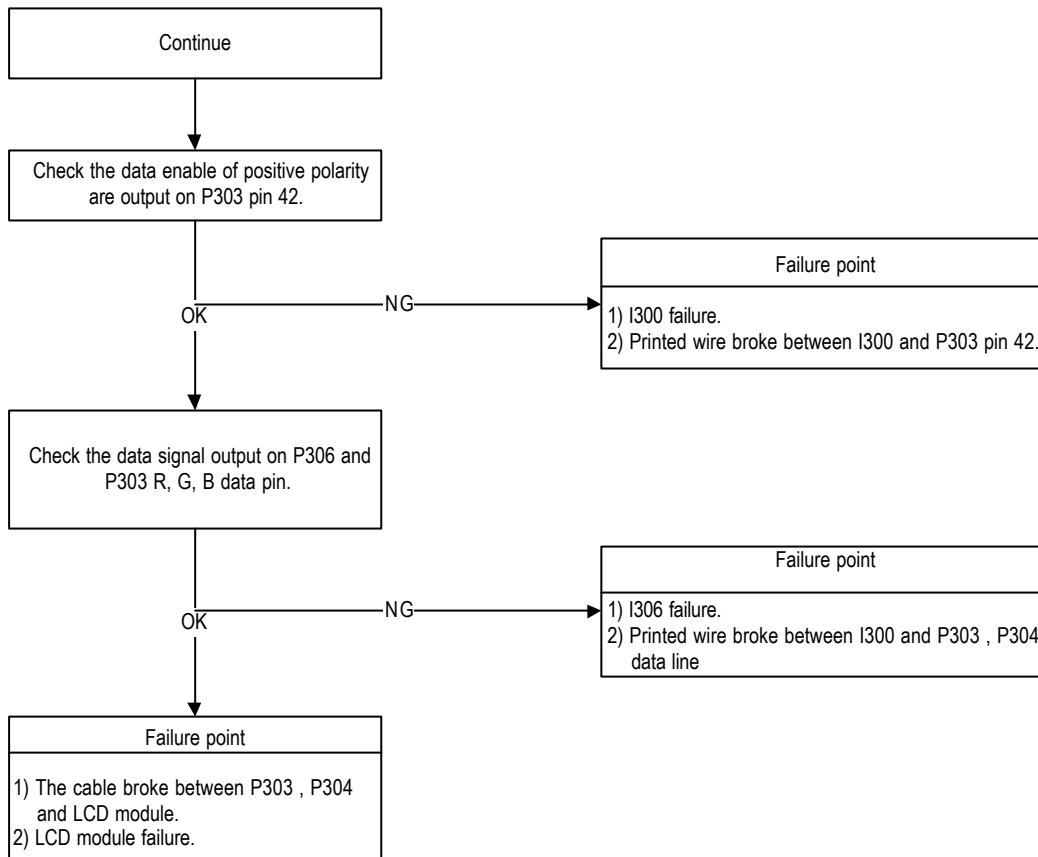
1. No display of screen (Screen is black, color of LED is amber)



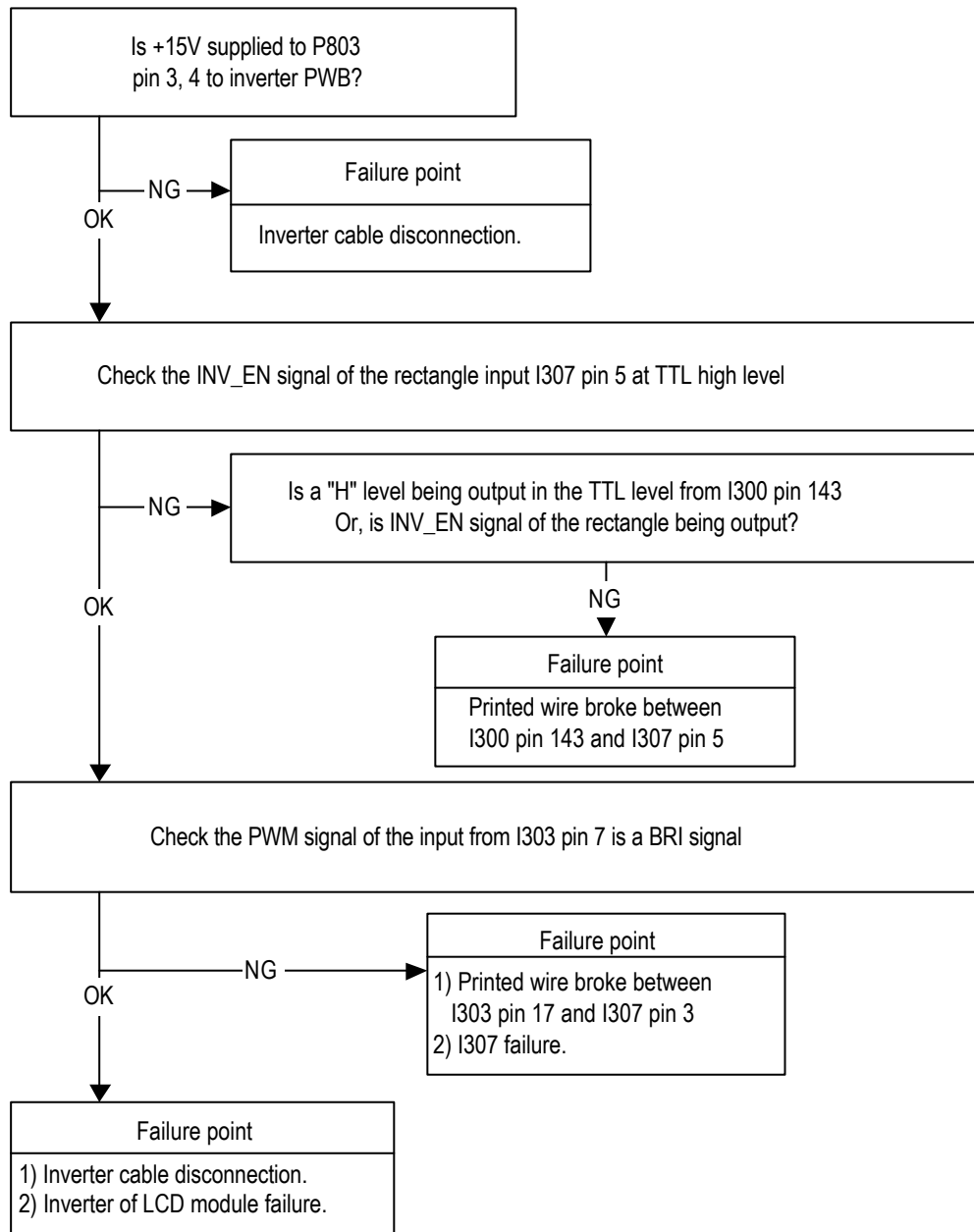
2. Nothing displays on screen (Screen is black, color of LED is green)



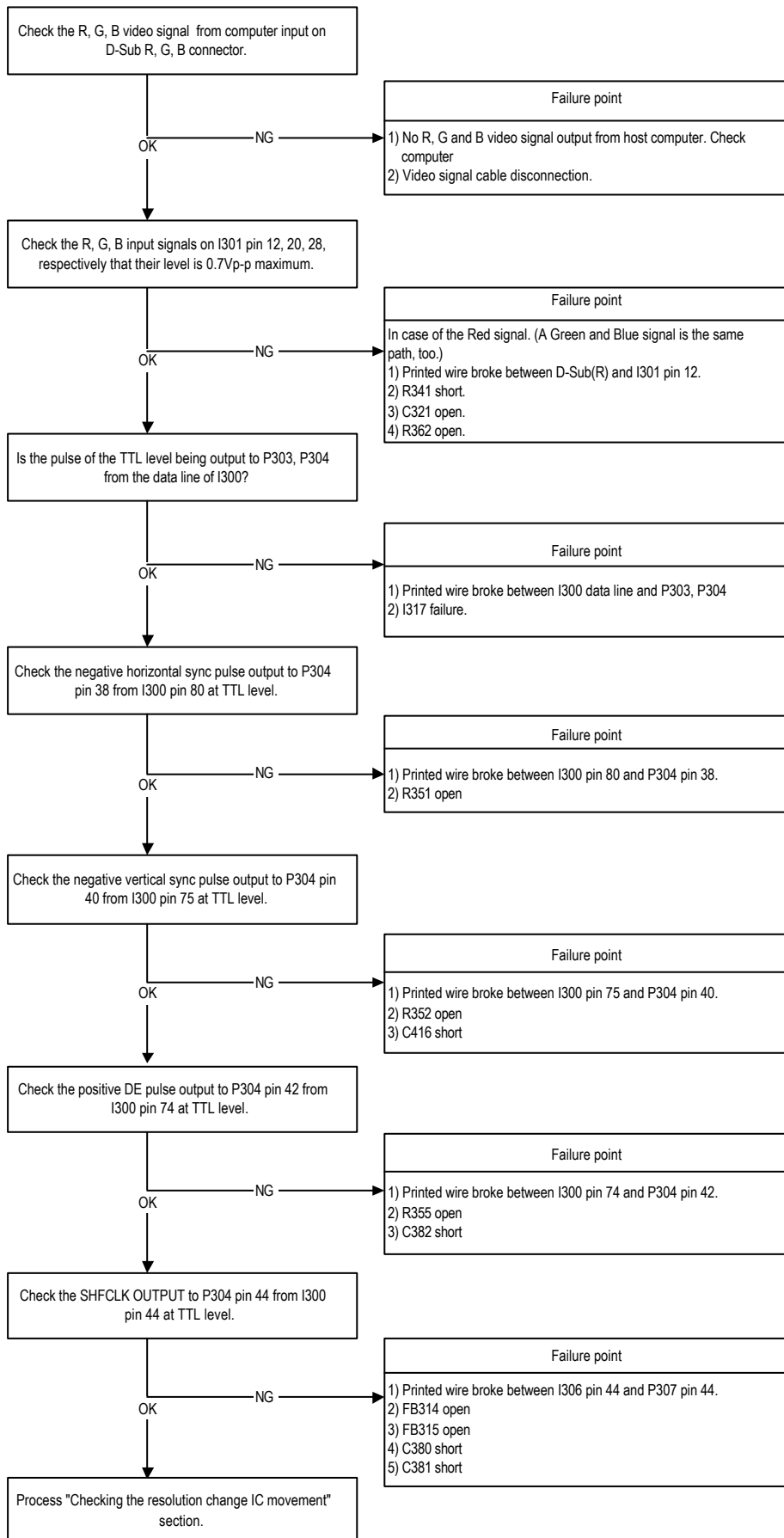




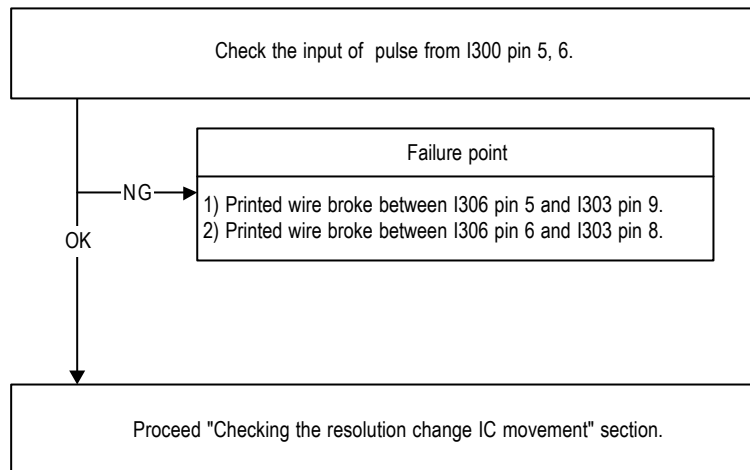
3. Checking the back light unit



4. Abnormal screen

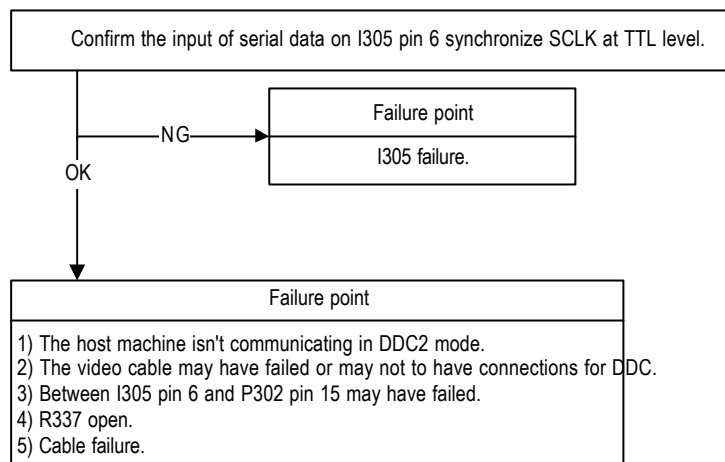


5. NO OSD display



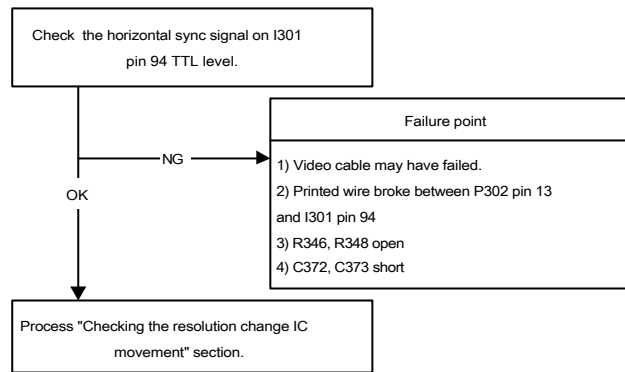
6. Abnormal plug and play operation

6.1 Abnormal DDC2

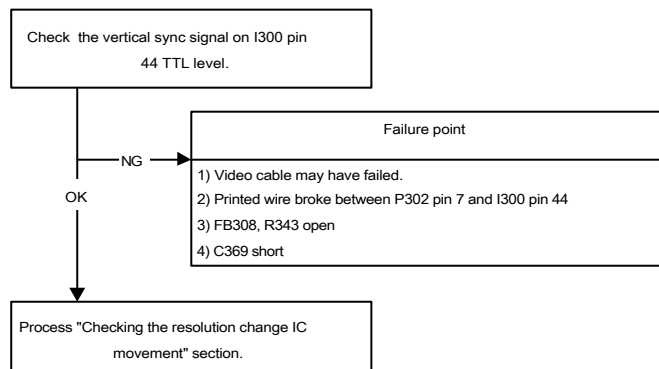


7. Checking the interface circuit of sync signal

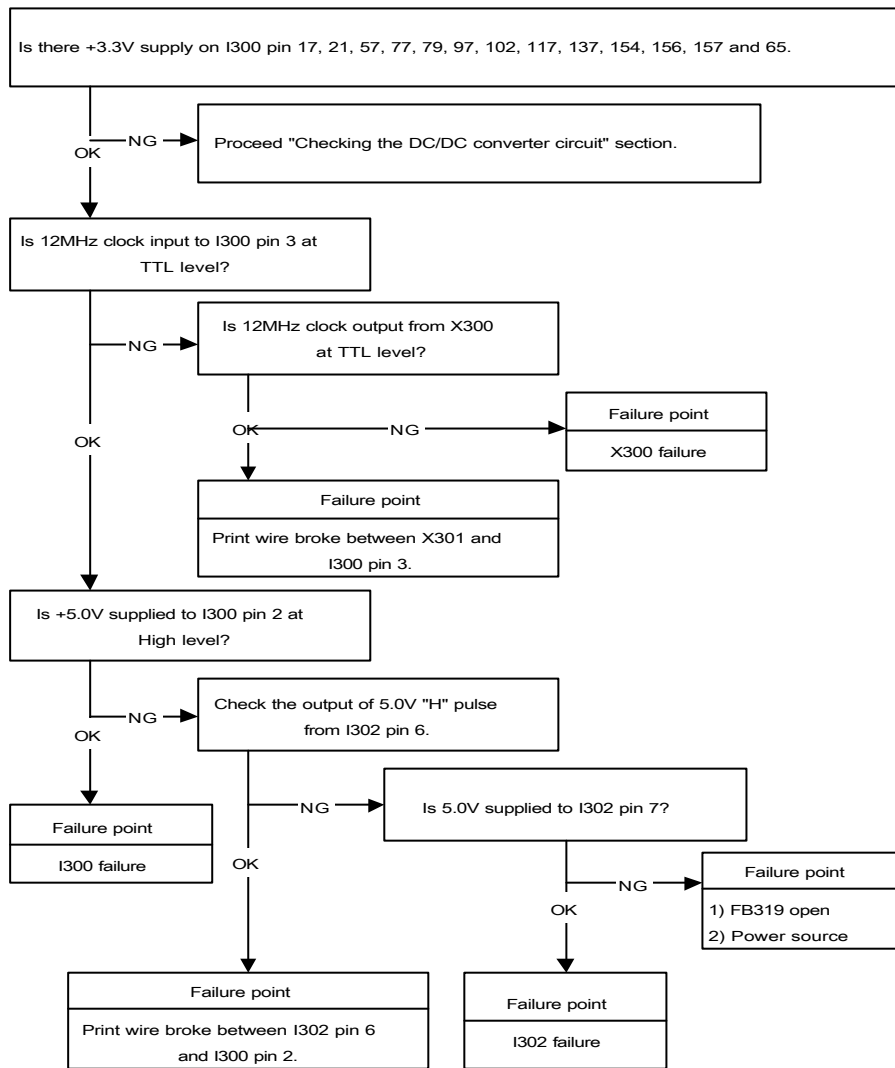
7.1 Checking the control circuit of horizontal sync pulse



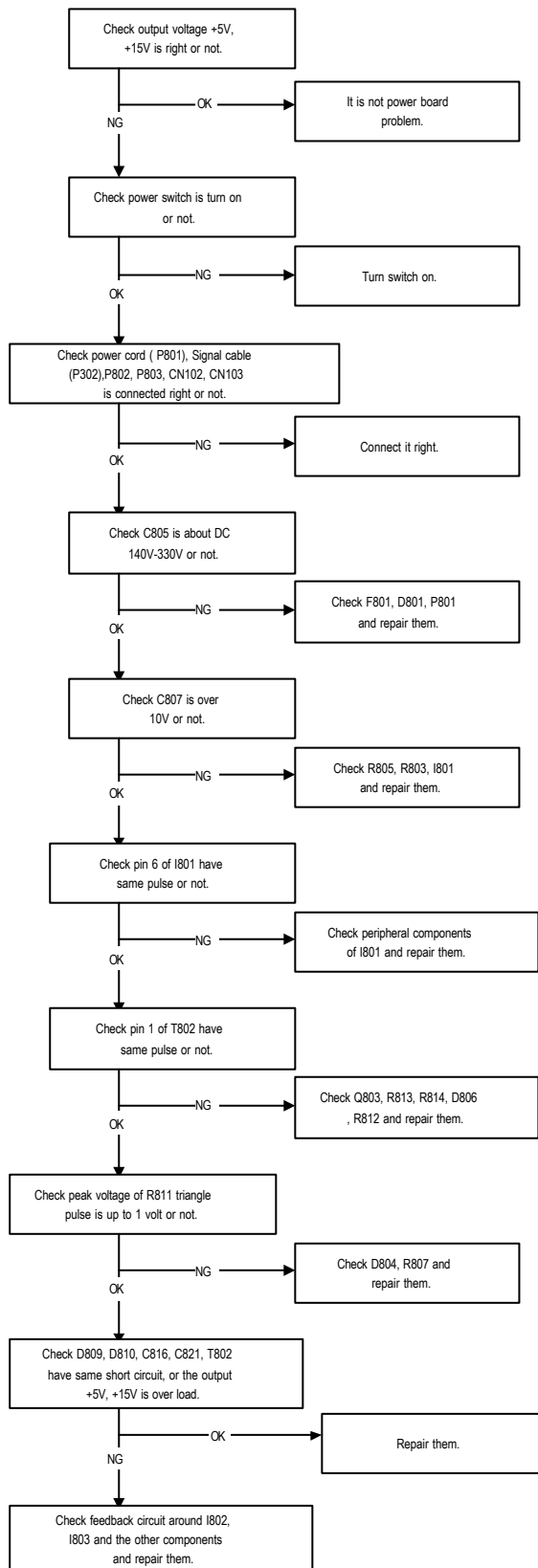
7.2 Checking the control circuit of vertical sync pulse



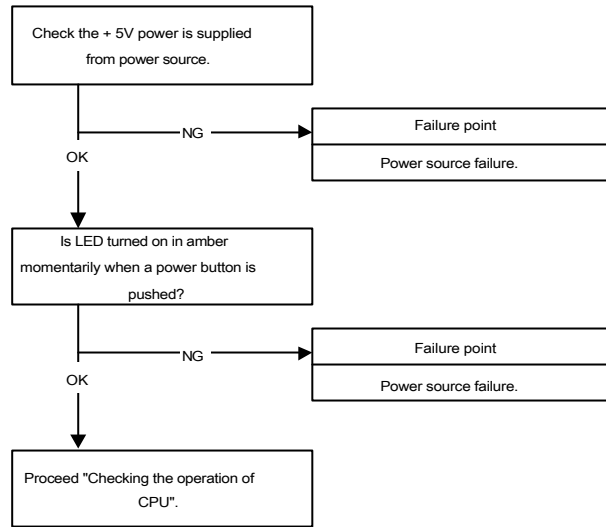
8. Checking the resolution change IC movement



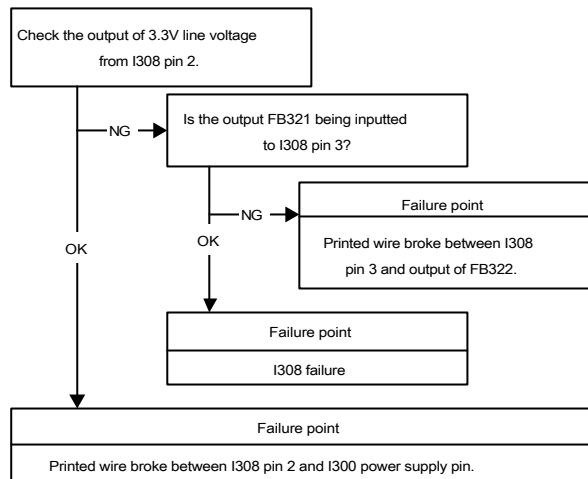
9. No power on
 9.1 No power on (I)



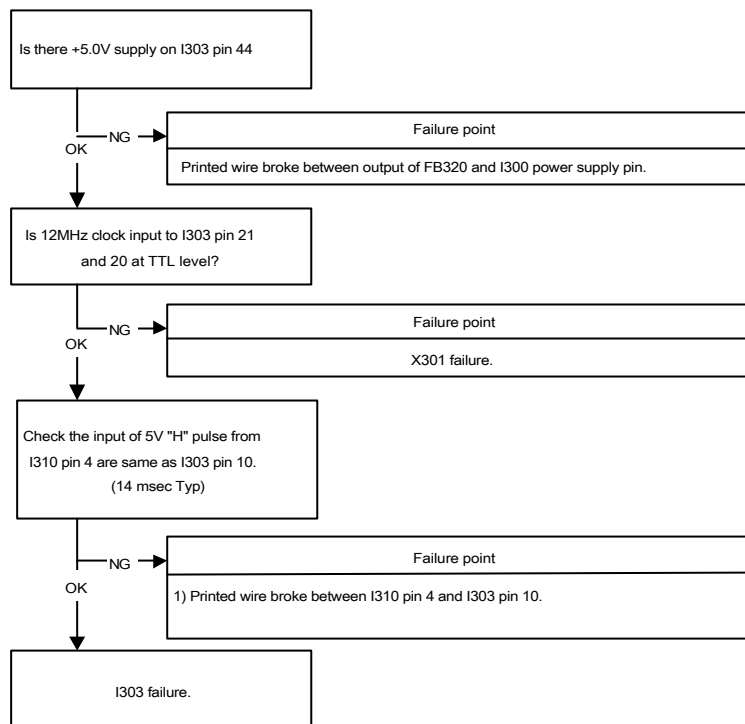
9.2 No power on (II)



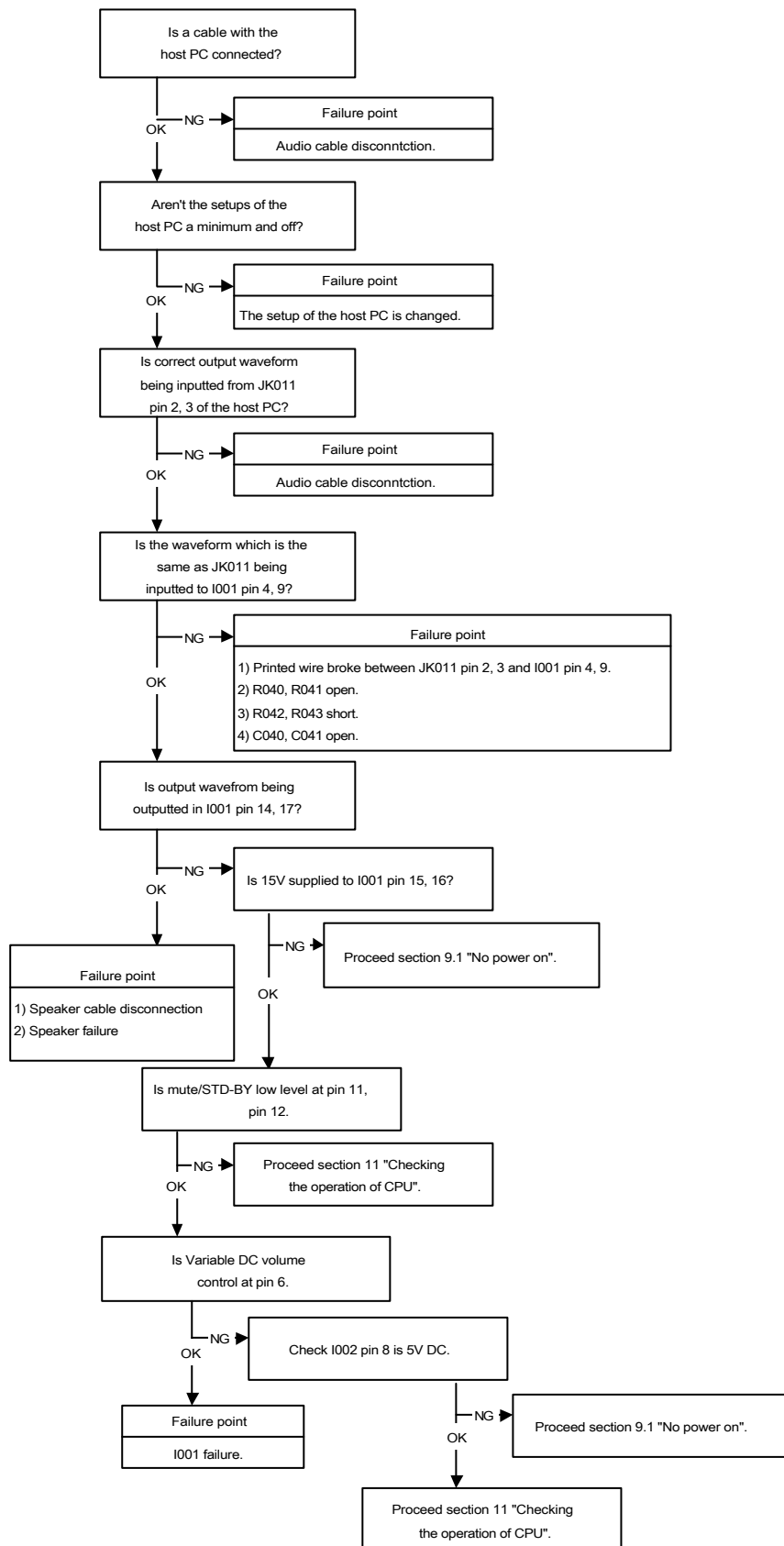
10. Checking the DC/DC converter circuit



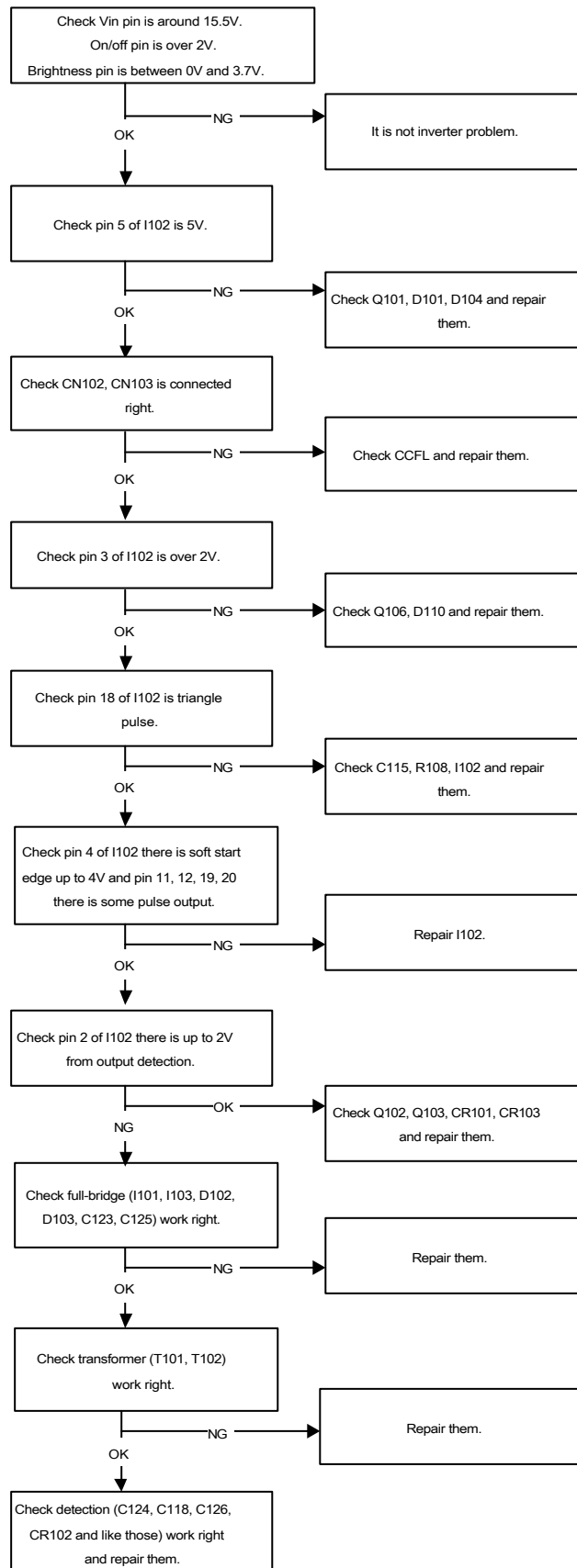
11. Checking the operation of CPU




12. Checking the audio circuit



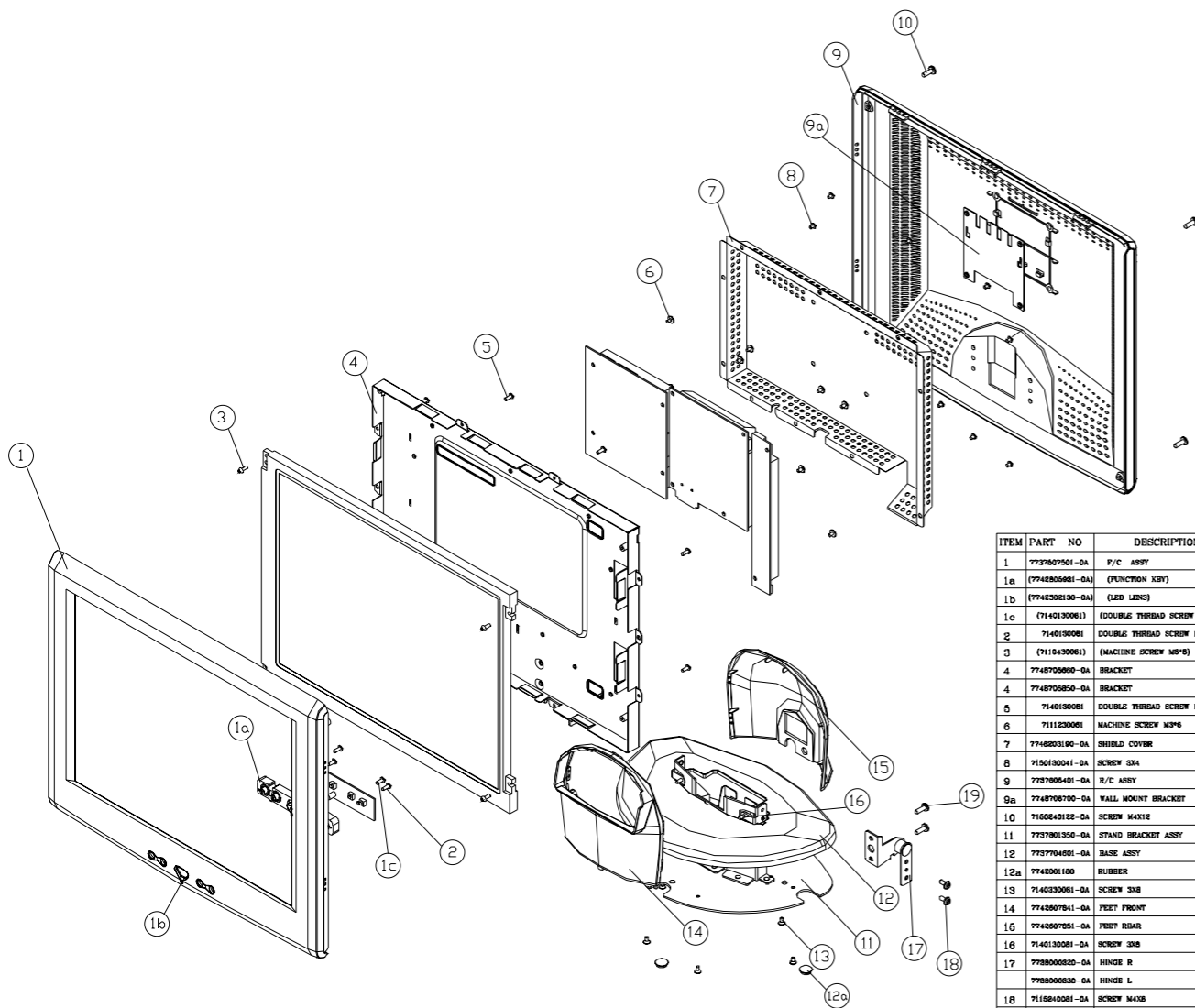
13. Checking inverter board circuit



1. Recommended Parts List

- Note: 1. The components identified by “  “ mark are critical for X-ray safety. Replace these with only the same parts specified.
2. The components identified by “ * “ mark are critical parts.
3. There is only OTPIC at the model beginning (FPR stage or before). When it put in mass production and there must be Mask coming out. Please check you have spare parts need, please check BOM to get the last release part number and related information.

No.	Location	Part Number	Description
1 ***	I300	6447000406	IC MASCOT II CONTROLLER 160P PQFP
2 *	I301	6447000506	IC VITESSEI 100P QFP
3 *	I310	6446008108	IC NC7SZ04M5X SOT-23-5
4 **	I304	6448016508	IC EEPROM-24LC16B/SN SOP-8
5 **	I301	6447000506	IC ASIC-VITESSE2-100P-QFP
6 **	I307	6442001978	IC LM358DR 8P SOP
7 *	I308	6442023326	IC AIC1084-33CM 3P T0263
8 ***	Q300	6442007208	TR NPN SST2222A SOT-23
9 **	Q302	6427002508	FET-P-CHNL SI2305D3 SOT-2-3
10 ***	Q303	6442007308	TR NPN SST3904 SOT-23
11 ***	I001	6442023100	IC LINEAR-TDA7496L PDIP
12 *	I303	6448018900	IC CPU SM89516C25J PLCC44P



ITEM	PART NO	DESCRIPTION	QTY	REMARK
1	7727607501-DA	F/C ASSY	1	
1a	(7748200991-DA)	(FUNCTION KEY)	(1)	
1b	(7742302130-DA)	(LED LENS)	(1)	
1c	(7140130061)	(DOUBLE THREAD SCREW M3*6)	(2)	
2	7140130061	DOUBLE THREAD SCREW M3*6	2	
3	(7110430061)	(MACHINE SCREW MS*6)	4	
4	7748700690-DA	BRACKET	1	HISAAK
4	7748700690-DA	BRACKET	1	HISAAK
5	7140130061	DOUBLE THREAD SCREW M3*6	8	
6	7111230061	MACHINE SCREW M3*6	10	
7	7748203190-DA	SHIELD COVER	1	
8	7150190041-DA	SCREW 3X4	11	
9	7727606401-DA	R/C ASSY	1	
9a	7748706700-DA	WALL MOUNT BRACKET	1	
10	7160840122-DA	SCREW M4X12	4	
11	7727901350-DA	STAND BRACKET ASSY	1	
12	7727904501-DA	BASE ASSY	1	
12a	7743001180	RUBBER	4	
13	7140230061-DA	SCREW 3X6	6	
14	7748907841-DA	FEET FRONT	1	
16	7743907851-DA	FEET REAR	1	
16	7140130061-DA	SCREW 3X6	1	
17	7728000820-DA	HINGE R	1	
	7728000830-DA	HINGE L	1	
18	7115940081-DA	SCREW M4X8	4	
19	7118840101-DA	SCREW M4X10	4	

LITE-ON TECHONLOG CORP

XXBOMR1001

BOM LIST BY CKT-ID

Block Number:5114300006 Desc:CONTROL BD-POWER BD-H15AAU(9)--E-1-(K)- Plan_Level:

Category From:

Approve:Both

Report Date:29-APR-2002 15:22

To:

Org:RD

Page: 1 OF 2

Lvl	CKTID	G1	Apr	OP	Item No	Description	Drqwing No	Uom	Quantity	Sfty
1	02U04	Yes	10		1241000200	LABEL-DATE CODE-----	8340000485	EA	1	NO
1	0C801	Yes	10		6328833419	CAP. X2-MPP-uF-0.33-275V-K--P=		EA	1	YES
1	0C802	Yes	10		6328810419	CAP. X2-MEF-uF-0.1-275V-K--P=1		EA	1	YES
1	0C803	YES	10		6302122292	CAP. CD-pF-2200-250V-M-F-7.5-Y		EA	1	YES
1	0C803	51	Yes	10	6302122272	CAP. CD-pF-2200-250V-M-F-7.5-Y		EA	1	YES
1	0C804	YES	10		6302122292	CAP. CD-pF-2200-250V-M-F-7.5-Y		EA	1	YES
1	0C804	51	Yes	10	6302122272	CAP. CD-pF-2200-250V-M-F-7.5-Y		EA	1	YES
1	0C805	Yes	10		6312610149	CAP. ALU-uF-100-400V-F-105C-18		EA	1	NO
1	0C828	YES	10		6302410262	CAP. CD-pF-1000-250V-M-F-P=10-		EA	1	YES
1	0C828	51	Yes	10	6302410242	CAP. CD-pF-1000-250V-M-F-10-SY		EA	1	YES
1	0D801	YES	10		6417001400	DIODE-BRIDGE-KBP205G-2A/600V--		EA	1	NO
1	0D809	Yes	10		6412020007	DIODE--SF34-3A/200V-T52--TSC		EA	1	NO
1	0D810	YES	10		6412015817	DIODE-SWITCHING-SB360-3A/60V-T		EA	1	NO
1	0F801	Yes	10		6851031550	FUSE-TIME LAG-3.15A/250V---LIT		EA	1	YES
1	0G801	Yes	10		7748000190-0A	GROUNDING-CONNECTOR-MTS-C150AT	8440003377	EA	1	NO
1	0I801	Yes	10		6442022010	IC-Linear-KA3842AE-S-8P-PDIP-F		EA	1	NO
1	0I802	Yes	10		6442014000	IC-Linear-LTV-817D-4P-PDIP-LIT		EA	1	YES
1	0L802	Yes	10		6111336131	COIL CHOKE--uH-33-K-DRWW10x10L		EA	1	NO
1	0P802	YES	10		6711100140-00	HARNESS-10P-70mm-2.0 1007#26-3		EA	1	NO
1	0P803	YES	10		6711060400-00	HARNESS-6P-2.0-100mm-1007#26--		EA	1	NO
1	0Q803	YES	10		6426008700	FET-N-CHNL-SSS4N60AS-2.3A/600V		EA	1	NO
1	0R802	Yes	10		6201080012	THERMISTOR-OHM-8-3A-P=5-SCK-08		EA	1	YES
1	0R803	Yes	10		6221210452	RES. MOF-KOHM-100-2W-J-HOR-		EA	1	NO
1	0R805	Yes	10		6221210452	RES. MOF-KOHM-100-2W-J-HOR-		EA	1	NO
1	0R806	Yes	10		6221333352	RES. MOF-KOHM-33-3W-J-HOR-		EA	1	NO
1	0R811	Yes	10		6221112952	RES. MOF-OHM-1.2-1W-J-HOR-		EA	1	NO
1	0R833	Yes	10		6221112252	RES. MOF-KOHM-1.2-1W-J-HOR-		EA	1	NO
1	0T801	Yes	10		6138003000	LINE FILTER-TLF-1030-mH-10.5-E		EA	1	YES
1	0T802	Yes	10		6131052300	XFRMER-POWER-TPW-1085-ER-28S-L		EA	1	YES
1	9N005	No	10		1250000130	WIRE-SOLDER-ADEPO S60A--		kg	.0007	NO
1	9N015	No	10		1250000141	WIRE-SOLDER-12M/M--		kg	.00075	NO
1	9N020	No	10		1250000321	OIL HOUSE-THINNER LONCO RF800A		GL	.003	NO
1	9N025	No	10		1250000221	FLUX-RF800T3-LONCO		GL	.003	NO
1	9N050	No	10		1250000100	OIL HOUSE-SOLDER BAR ADEPTO S6		I	.003	NO
1	9N066	No	10		1241000011	TAPE-PACKING-FILM STRETCH WRAP		RL	.00006	NO
1	9N080	Yes	10		1240000423	TAPE--50Mx508mmx0055mm-PCK-		RL	.0002	NO
1	9N081	Yes	10		6875000101	ADHESIVE-HOT MELT-11.3X300mm 1		lb	.004	NO
1	9N081	51	Yes	10	6875000400	ADHESIVE-HOT MELT-521 UL94V-0-		EA	.004	YES
1	F801A	Yes	10		6622050010	FUSE CLIP-FC-04 for D=5mm FUSE		EA	2	NO
1	I008N	Yes	10		7150130081-0A	SCREW-BTYPE--Round-M3-8-Zn	8440003300	EA	1	NO
1	P801A	Yes	10		6714030060-00	HARNESS--3P-200mm-1015#18(G/Y)		EA	1.00000	NO
1	Q803C	No	10		1250000520	HEAT SINK-COMPOUND---		kg	.00005	NO
1	Q803K	No	10		1250000415	OIL HOUSE-VA-450 SCREW LOCKING		kg	.00002	NO
1	Q803M	Yes	10		7746402560-0A	HEAT SINK-POWER BD---		EA	1	NO
1	VR801	Yes	10		6245102003	VARIABLE-KOHM-1-0.3W-TA--6D--		EA	1	NO
1	00000	No	10		5714300006	AI-POWER BD-H15AAU(9)--E-1-(K		EA	1.00000	NO
2	0C806	Yes	30		6336510305	CAP. CD-uF-0.01-1000V-M-T--Z5U		EA	1	NO

2	0C807	Yes	30	6311347045	ALUMINATOR-UF-47-25V-T-105C-5*	EA	1	NO
2	0C809	Yes	10	6338522115	CAP. CD-pF-220-1000V-K-T--X7R-	EA	1	NO
2	0C810	Yes	30	6338110485	CAP. CD-UF-0.1-50V-Z-T--Y5V-	EA	1	NO
2	0C811	Yes	30	6335110215	CAP. CD-PF-1000-50V-K-T--Y5P-	EA	1	NO
2	0C812	Yes	30	6338110485	CAP. CD-UF-0.1-50V-Z-T--Y5V-	EA	1	NO
2	0C813	Yes	30	6335110315	CAP. CD-UF-0.01-50V-K-T--Y5P-	EA	1	NO
2	0C814	Yes	30	6311510045	ALUMINATOR-uF-10-50V-T-105C-5x	EA	1	NO
2	0C815	Yes	30	6356110455	CAP. MEM-uF-0.1-50V-J-T--MATSU	EA	1	NO

LITE-ON TECHONLOG COR

XXBOMR1001

BOM LIST BY CKT-ID

Block Number:5114300006 Desc:CONTROL BD-POWER BD-H15AAU(9)--E-1-(K)- Plan_Level:
 Category From: Approve:Both Report Date:29-APR-2002 15:22
 To: Org:RD Page: 2 OF 2

Lvl	CKTID	G1	Apr	OP	Item No	Description	Drqwing No	Uom	Quantity	SFty
2	0C816	Yes	30		6335110215	CAP. CD-PF-1000-50V-K-T--Y5P-		EA	1	NO
2	0C817	Yes	30		6311347145	ALUMINATOR-uF-470-25V-T-105C-1		EA	1	NO
2	0C818	Yes	30		6311347145	ALUMINATOR-uF-470-25V-T-105C-1		EA	1	NO
2	0C820	Yes	30		6338110485	CAP. CD-UF-0.1-50V-Z-T--Y5V-		EA	1	NO
2	0C821	Yes	30		6335110215	CAP. CD-PF-1000-50V-K-T--Y5P-		EA	1	NO
2	0C822	Yes	30		6311347195	CAP. ALU-uF-470-25V-T-105C-10X		EA	1	NO
2	0C824	Yes	10		6311210245	ALUMINATOR-uF-1000-16V-T-105C-		EA	1	NO
2	0C826	Yes	30		6338110485	CAP. CD-UF-0.1-50V-Z-T--Y5V-		EA	1	NO
2	0C827	Yes	30		6356110455	CAP. MEM-uF-0.1-50V-J-T--MATSU		EA	1	NO
2	0C831	Yes	30		6311322045	ALUMINATOR-uF-22-25V-T-105C-5x		EA	1	NO
2	0D803	Yes	20		6412007927	DIODE--FUF4006AMP-1A/800V-T52-		EA	1	NO
2	0D804	Yes	20		6412012317	DIODE--FUF4005AMP-1A/600V-T52-		EA	1	NO
2	0D806	Yes	20		6412001707	DIODE-SWITCHING-1N4148 T-72--T		EA	1	NO
2	0I803	Yes	30		6442001345	IC-LINEAR-KA431AZTA-3PIN-TO-92		EA	1	NO
2	0J801	Yes	10		6700060000	JUMPER WIRE-	kg	.00009		NO
2	0Q806	Yes	30		6423000045	TRANSISTOR-PNP-2SA733P-T-TAPIN		EA	1	NO
2	0Q806	51	Yes	30	6423000205	TRANSISTOR-PNP-KSA733C-G-TA--F		EA	1	NO
2	0R801	YES	10		6221147457	RES. MOF-KOHM-470-1W-J-AT52-		EA	1	NO
2	0R807	Yes	20		6212147954	RES. CF-OHM-4.7-1/4W-J-T26-MIN		EA	1	NO
2	0R808	Yes	20		6212151354	RES. CF-KOHM-51-1/4W-J-T26-MIN		EA	1	NO
2	0R810	Yes	20		6212139254	RES. CF-KOHM-3.9-1/4W-J-T26-MI		EA	1	NO
2	0R812	Yes	20		6212120354	RES. CF-KOHM-20-1/4W-J-T26-MIN		EA	1	NO
2	0R813	Yes	20		6212122157	RES. CF-OHM-220-1/4W-J-T52-MIN		EA	1	NO
2	0R814	Yes	20		6212147054	RES. CF-OHM-47-1/4W-J-T26-MINI		EA	1	NO
2	0R815	Yes	20		6212110257	RES. CF-KOHM-1-1/4W-J-T52-MINI		EA	1	NO
2	0R817	Yes	20		6212147254	RES. CF-KOHM-4.7-1/4W-J-T26-MI		EA	1	NO
2	0R818	Yes	20		6212151354	RES. CF-KOHM-51-1/4W-J-T26-MIN		EA	1	NO
2	0R819	Yes	20		6212151254	RES. CF-KOHM-5.1-1/4W-J-T26-MI		EA	1	NO
2	0R820	Yes	20		6212110254	RES. CF-KOHM-1-1/4W-J-T26-MINI		EA	1	NO
2	0R823	Yes	20		6212127154	RES. CF-OHM-270-1/4W-J-T26-MIN		EA	1	NO
2	0R824	Yes	20		6212127254	RES. CF-KOHM-2.7-1/4W-J-T26-MI		EA	1	NO
2	0R825	Yes	20		6212110354	RES. CF-KOHM-10-1/4W-J-T26-MIN		EA	1	NO
2	0R826	Yes	20		6212110254	RES. CF-KOHM-1-1/4W-J-T26-MINI		EA	1	NO
2	0R827	Yes	20		6212120254	RES. CF-KOHM-2-1/4W-J-T26-MINI		EA	1	NO
2	0R832	Yes	20		6212151254	RES. CF-KOHM-5.1-1/4W-J-T26-MI		EA	1	NO
2	U1218	No	10		6832121800-03	PCB-POWER BD-PTB-1218-03	8812180000	EA	1	YES
2	ZD801	YES	20		6414180074	DIODE-ZENER-GDZJ18B-T/B--T26--		EA	1	NO

LITE-ON TECHONLOG CORP

XXBOMR1001

BOM LIST BY CKT-ID

Block Number:5113200002 Desc:INVERTER BD-GC150AT(99)-#-E-1-(K)-LITEON Plan_Level:

Category From:

Approve:Both

Report Date:29-APR-2002 15:22

To:

Org:RD

Page: 1 OF 2

Lvl	CKTID	G1	Apr	OP	Item No	Description	Drqwing No	Uom	Quantity	SFty
1	0C101	Yes	10		6311322141	CAP. ALU-uF-220-25V-LL-105C-8x		EA	1	NO
1	9N050	Yes	10		1250000144	WIRE-SOLDER-06m/m--	Ib	.00001		NO
1	00000	No	10		5213200002	SMT-INVERTER BD-GC150ATA(99)-#		EA	1	NO
2	02U01	No	10		1241000205	LABEL-ID DATE CODE-----		EA	1	NO
2	0C102	YES	10		6374422582	CAP. MC-uF-2.2-16V-Z-Y5V-SMD 0		EA	1	NO
2	0C103	Yes	10		6374410502	CAP. MC-uF-1-16V-M-Y5V-SMD 080		EA	1	NO
2	0C104	YES	10		6373422406	CAP. MC-uF-0.22-25V-M-Y5V-SMD		EA	1	NO
2	0C105	YES	10		6373410406	CAP. MC-uF-0.1-25V-M-Y5V-SMD 0		EA	1	NO
2	0C106	YES	10		6371215206	CAP. MC-pF-1500-50V-M-X7R-SMD		EA	1	NO
2	0C107	YES	10		6371410306	CAP. MC-uF-0.01-50V-M-Y5V-SMD		EA	1	NO
2	0C108	YES	10		6371410306	CAP. MC-uF-0.01-50V-M-Y5V-SMD		EA	1	NO
2	0C109	YES	10		6371410306	CAP. MC-uF-0.01-50V-M-Y5V-SMD		EA	1	NO
2	0C110	YES	10		6373422406	CAP. MC-uF-0.22-25V-M-Y5V-SMD		EA	1	NO
2	0C111	YES	10		6373422406	CAP. MC-uF-0.22-25V-M-Y5V-SMD		EA	1	NO
2	0C113	YES	10		6373247306	CAP. MC-uF-0.047-25V-M-X7R-SMD		EA	1	NO
2	0C114	YES	10		6373410406	CAP. MC-uF-0.1-25V-M-Y5V-SMD 0		EA	1	NO
2	0C115	YES	10		6374122156	CAP. MC-pF-220-16V-J-NPO-SMD 0		EA	1	NO
2	0C116	YES	10		6371410306	CAP. MC-uF-0.01-50V-M-Y5V-SMD		EA	1	NO
2	0C117	YES	10		6373247306	CAP. MC-uF-0.047-25V-M-X7R-SMD		EA	1	NO
2	0C118	YES	10		6373410406	CAP. MC-uF-0.1-25V-M-Y5V-SMD 0		EA	1	NO
2	0C119	YES	10		6371218312	CAP. MC-uF-0.018-50V-K-X7R-SMD		EA	1	NO
2	0C121	Yes	10		6370112059-02	CAP. MC-pF-12-3KV-J-NPO-SMD-18		EA	1	NO
2	0C121 51	YES	10		6370112059	CAP. MC-pF-12-3KV-J-NPO-SMD 18		EA	1	NO
2	0C122	YES	10		6371218312	CAP. MC-uF-0.018-50V-K-X7R-SMD		EA	1	NO
2	0C123	No	10		6375410683-01	CAP. MC-uF-10-10V-Z-Y5V-SMD-12		EA	1	NO
2	0C123 51	YES	10		6375410683	CAP. MC-uF-10-10V-Z-Y5V-SMD-12		EA	1	NO
2	0C124	Yes	10		6370112059-02	CAP. MC-pF-12-3KV-J-NPO-SMD-18		EA	1	NO
2	0C124 51	YES	10		6370112059	CAP. MC-pF-12-3KV-J-NPO-SMD 18		EA	1	NO
2	0C125	No	10		6375410683-01	CAP. MC-uF-10-10V-Z-Y5V-SMD-12		EA	1	NO
2	0C125 51	YES	10		6375410683	CAP. MC-uF-10-10V-Z-Y5V-SMD-12		EA	1	NO
2	0C126	Yes	10		6371222212	CAP. MC-pF-2200-50V-K-X7R-SMD		EA	1	NO
2	0C127	Yes	10		6371222212	CAP. MC-pF-2200-50V-K-X7R-SMD		EA	1	NO
2	0D101	YES	10		6414056098	DIODE-ZNR-RLZ TE-11-5.6C-LL-34		EA	1	NO
2	0D102	YES	10		6413040038	DIODE-SCHOTTKY-RB751V-40-ROHM-		EA	1	NO
2	0D103	YES	10		6413040038	DIODE-SCHOTTKY-RB751V-40-ROHM-		EA	1	NO
2	0D104	YES	10		6414075018	DIODE-ZNR-RLZ TE-11 7.5B LL-34		EA	1	NO
2	0D105	Yes	10		6412001738	DIODE--RLS4148 LL-34 SMD----RO		EA	1	NO
2	0D106	Yes	10		6412001738	DIODE--RLS4148 LL-34 SMD----RO		EA	1	NO
2	0D107	YES	10		6413040038	DIODE-SCHOTTKY-RB751V-40-ROHM-		EA	1	NO
2	0D108	Yes	10		6412001738	DIODE--RLS4148 LL-34 SMD----RO		EA	1	NO
2	0D109	Yes	10		6412001738	DIODE--RLS4148 LL-34 SMD----RO		EA	1	NO
2	0D110	Yes	10		6412001738	DIODE--RLS4148 LL-34 SMD----RO		EA	1	NO
2	0F101	Yes	10		6851002000	FUSE-TIME LAG-2A--TR1/6125TD-B		EA	1	YES
2	0I101	Yes	10		6442033118	IC-SI4532DY-8PIN-SMD-FAIRCHILD		EA	1	NO

2	0I101	52	Yes	10	6442033128	IC-LINEAR-IRF7309-8PIN-SOP-I.R	EA	1	NO
2	0I101	51	YES	10	6442033108	IC-Si4532ADY-T1-8P-SMD-VISHAY-	EA	1	NO
2	0I102		Yes	10	6442032808	IC-OZ960S-20P-SSOP-O2-	EA	1	NO
2	0I103		Yes	10	6442033118	IC-SI4532DY-8PIN-SMD-FAIRCHILD	EA	1	NO
2	0I103	52	Yes	10	6442033128	IC-LINEAR-IRF7309-8PIN-SOP-I.R	EA	1	NO
2	0I103	51	YES	10	6442033108	IC-Si4532ADY-T1-8P-SMD-VISHAY-	EA	1	NO
2	0Q101		Yes	10	6422007308	TRANSISTOR-NPN-SST3904T116-T11	EA	1	NO
2	0Q102		YES	10	6426010708	FET-N-CHNL-2N7002-SOT-23-FRCHL	EA	1	NO
2	0Q103		YES	10	6426010708	FET-N-CHNL-2N7002-SOT-23-FRCHL	EA	1	NO
2	0Q104		YES	10	6426010708	FET-N-CHNL-2N7002-SOT-23-FRCHL	EA	1	NO
2	0Q105		YES	10	6426010708	FET-N-CHNL-2N7002-SOT-23-FRCHL	EA	1	NO

LITE-ON TECHONLOG COR

XXBOMR1001

BOM LIST BY CKT-ID

Block Number:5113200002 Desc:INVERTER BD-GC150AT(99)-#-E-1-(K)-LITEON Plan_Level:

Category From:

Approve:Both

Report Date:29-APR-2002 15:22

To:

Org:RD

Page: 2 OF 2

Lvl	CKTID	G1	Apr	OP	Item No	Description	Drqwing No	Uom	Quantity	SFty
2	0Q106		Yes	10	6423000708	TRANSISTOR-PNP-SST3906-T116--		EA	1	NO
2	0R101		YES	10	6252100156	RES. CHIP-R-KOHM-1-1/10W-J-603		EA	1	NO
2	0R102		Yes	10	6252220956	RES. CHIP-R-OHM-22-1/10W-J-060		EA	1	NO
2	0R103		Yes	10	6252220956	RES. CHIP-R-OHM-22-1/10W-J-060		EA	1	NO
2	0R104		YES	10	6252130356	RES. CHIP-R-KOHM-130-1/10W-J-0		EA	1	NO
2	0R105		YES	10	6252270356	RES. CHIP-R-KOHM-270-1/10W-J-0		EA	1	NO
2	0R106		YES	10	6252110356	RES. CHIP-R-KOHM-110-1/10W-J-0		EA	1	NO
2	0R107		Yes	10	6252100356	RES. CHIP-R-KOHM-100-1/10W-J-0		EA	1	NO
2	0R108		YES	10	6252649246	RES. CHIP-R-KOHM-64.9-1/10W-F-		EA	1	NO
2	0R109		YES	10	6252110356	RES. CHIP-R-KOHM-110-1/10W-J-0		EA	1	NO
2	0R110		YES	10	6252100456	RES. CHIP-R-MOHM-1-1/10W-J-603		EA	1	NO
2	0R111		YES	10	6252510356	RES. CHIP-R-KOHM-510-1/10W-J-0		EA	1	NO
2	0R112		YES	10	6252180256	RES. CHIP-R-KOHM-18-1/10W-J-06		EA	1	NO
2	0R113		Yes	10	6252510256	RES. CHIP-R-KOHM-51-1/10W-J-06		EA	1	NO
2	0R114		YES	10	6252100456	RES. CHIP-R-MOHM-1-1/10W-J-603		EA	1	NO
2	0R115		YES	10	6252100456	RES. CHIP-R-MOHM-1-1/10W-J-603		EA	1	NO
2	0R116		Yes	10	6252510256	RES. CHIP-R-KOHM-51-1/10W-J-06		EA	1	NO
2	0R117		Yes	10	6252100256	RES. CHIP-R-KOHM-10-1/10W-J-06		EA	1	NO
2	0R118		Yes	10	6252100256	RES. CHIP-R-KOHM-10-1/10W-J-06		EA	1	NO
2	0R119		Yes	10	6252100256	RES. CHIP-R-KOHM-10-1/10W-J-06		EA	1	NO
2	0R120		YES	10	6252680046	RES. CHIP-R-OHM-680-1/10W-F-06		EA	1	NO
2	0R121		YES	10	6252412046	RES. CHIP-R-OHM-412-1/10W-F-06		EA	1	NO
2	0R122		YES	10	6252680046	RES. CHIP-R-OHM-680-1/10W-F-06		EA	1	NO
2	0R123		YES	10	6252412046	RES. CHIP-R-OHM-412-1/10W-F-06		EA	1	NO
2	0R126		Yes	10	6252100256	RES. CHIP-R-KOHM-10-1/10W-J-06		EA	1	NO
2	0R127		YES	10	6252100156	RES. CHIP-R-KOHM-1-1/10W-J-603		EA	1	NO
2	0T101		Yes	10	6132000300	XFRMER-POWER-F-0003-UI1S(3C90)		EA	1	NO
2	0T101	51	Yes	10	6132000200	XFRMER--T-0002-XTREME-SMD		EA	1	YES
2	0T102		Yes	10	6132000300	XFRMER-POWER-F-0003-UI1S(3C90)		EA	1	NO
2	0T102	51	Yes	10	6132000200	XFRMER--T-0002-XTREME-SMD		EA	1	YES
2	9N030		Yes	10	1250000110	OIL HOUSE-SOLDER PASTE--		EA	.001	NO
2	CN101		YES	10	6613060030	PLUG-06P-2.0mm-JST\S6B-PH-SM3-		EA	1	NO
2	CN101	51	Yes	10	6613060050	PLUG-6P-2.0mm-88291-0600-ACES		EA	1	NO

2	CN102	Yes	10	6610020010	CONNECTOR----SM02(8.0)B-BHS-1-	EA	1	NO
2	CN103	Yes	10	6610020010	CONNECTOR----SM02(8.0)B-BHS-1-	EA	1	NO
2	CR101	Yes	10	6412019508	DIODE--DAN217 SMD3 T146----ROH	EA	1	NO
2	CR102	Yes	10	6412019508	DIODE--DAN217 SMD3 T146----ROH	EA	1	NO
2	CR103	Yes	10	6412019508	DIODE--DAN217 SMD3 T146----ROH	EA	1	NO
2	CR104	Yes	10	6412019508	DIODE--DAN217 SMD3 T146----ROH	EA	1	NO
2	U1217	No	10	6832121700-02	PCB-INVERTER BD-PTB-1217	EA	1	YES

LITE-ON TECHONLOG CORP

XXBOMR1001

BOM LIST BY CKT-ID

Block Number:5113300027 Desc:INTERFACE BD-H15AAC--E-2-(C)-CARREFOUR Plan_Level:

Category From:

Approve:Both

Report Date:29-APR-2002 15:21

To:

Org:RD

Page: 1 OF 6

Lvl	CKTID	G1	Apr	OP	Item No	Description	Drqwing No	Uom	Quantity	SFty
1	02U01	No	10		1241000205	LABEL-ID DATE CODE-----		EA	1	NO
1	0C003	Yes	10		6311347142	CAP. ALU-uF-470-25V-F-105C-10x		EA	1	NO
1	0C010	Yes	10		6311310142	CAP. ALU-uF-100-25V-F-105C-6.3		EA	1	NO
1	0C040	Yes	10		6311547979	CAP. ALU-uF-4.7-50V-F-105C-6.3		EA	1	NO
1	0C041	Yes	10		6311547979	CAP. ALU-uF-4.7-50V-F-105C-6.3		EA	1	NO
1	0C042	Yes	10		6311347142	CAP. ALU-uF-470-25V-F-105C-10x		EA	1	NO
1	0C043	Yes	10		6311347142	CAP. ALU-uF-470-25V-F-105C-10x		EA	1	NO
1	0C331	Yes	10		6311210169	CAP. ALU-uF-100-16V-F-105C-6X7		EA	1	NO
1	0C342	Yes	10		6311122149	CAP. ALU-uF-220-10V-NF-105C-8X		EA	1	NO
1	0C376	Yes	10		6311110299	CAP. ALU-uF-1000-10V-F-105-10X		EA	1	NO
1	0C384	Yes	10		6311122149	CAP. ALU-uF-220-10V-NF-105C-8X		EA	1	NO
1	0C390	Yes	10		6311368149	CAP. ALU-uF-680-25V-NF-105C-10		EA	1	NO
1	0C393	Yes	10		6311110299	CAP. ALU-uF-1000-10V-F-105-10X		EA	1	NO
1	0C395	Yes	10		6310168148	ALUMINATOR-uF-680-10V--105C-10		EA	1	NO
1	0C397	Yes	10		6310168148	ALUMINATOR-uF-680-10V--105C-10		EA	1	NO
1	0C406	Yes	10		6311210169	CAP. ALU-uF-100-16V-F-105C-6X7		EA	1	NO
1	0C408	Yes	10		6311210169	CAP. ALU-uF-100-16V-F-105C-6X7		EA	1	NO
1	0D300	Yes	10		6442001345	IC-LINEAR-KA431AZTA-3PIN-TO-92		EA	1	NO
1	0I001	Yes	10		6442023100	IC-Linear-TDA7496L-20P-PDIP-SG		EA	1	NO
1	0I303	Yes	10		6448018900	IC-CPU-SM89516C25J-44PIN-PLCC-		EA	1	NO
1	0L001	Yes	10		6111456131	COIL CHOKE--uH-45-K-DRWW10x10L		EA	1	NO
1	0L300	Yes	10		6111307130	COIL CHOKE--uH-3-K-DRWW6x8G3-		EA	1.00000	NO
1	0L301	Yes	10		6111307130	COIL CHOKE--uH-3-K-DRWW6x8G3-		EA	1.00000	NO
1	0P001	Yes	10		6613030030	PLUG-3P-2.0mm-A2001WR2-03-JWT		EA	1	NO
1	0P002	Yes	10		6613040020	PLUG-4P-2.0mm-A2001WR2-04-JWT		EA	1	NO
1	0P301	Yes	10		6613090010	PLUG-09P-2.0mm-JWT-A2001WV2-09		EA	1.00000	NO
1	0P302	Yes	10		6613140020	PLUG-14P-2.0mm-A200/WV2-14P-JW		EA	1.00000	NO
1	0P305	Yes	10		6613100020	PLUG-10P-2.0mm-A2001WV2-10-JWT		EA	1.00000	NO
1	0X300	Yes	10		6449003410	CRYSTAL-12.000MHZ-AT-49-KDS-		EA	1	NO
1	0X301	Yes	10		6449003410	CRYSTAL-12.000MHZ-AT-49-KDS-		EA	1	NO
1	9N005	Yes	10		1250000144	WIRE-SOLDER-06m/m--		lb	.001	NO
1	9N015	No	10		1250000221	FLUX-RF800T3-LONCO		GL	.00034	NO
1	9N020	No	10		1250000321	OIL HOUSE-THINNER LONCO RF800A		GL	.006	NO
1	9N025	No	10		1250000130	WIRE-SOLDER-ADEPO S60A--		kg	.001	NO
1	9N050	No	10		1250000100	OIL HOUSE-SOLDER BAR ADEPTO S6		I	.002	NO
1	I001M	No	10		7746402571-0A	HEAT SINK--GC150ATA-AL-CLEAN		EA	8440003873	NO
1	I303A	No	10		9083000199-05	F/W-H15AAC-M105-CAREFOUR/ACER		EA	1	NO
1	00000	No	10		5213300027	SMT-INTERFACE BD-H15AAC--E-2-		EA	1.0000000	NO
2	0C002	YES	10		6373410486	CAP. MC-uF-0.1-25V-Z-Y5V-SMD-0		EA	1	NO
2	0C004	YES	10		6373410486	CAP. MC-uF-0.1-25V-Z-Y5V-SMD-0		EA	1	NO
2	0C007	YES	10		6373410486	CAP. MC-uF-0.1-25V-Z-Y5V-SMD-0		EA	1	NO
2	0C008	YES	10		6373410486	CAP. MC-uF-0.1-25V-Z-Y5V-SMD-0		EA	1	NO
2	0C015	YES	10		6373410486	CAP. MC-uF-0.1-25V-Z-Y5V-SMD-0		EA	1	NO
2	0C044	YES	10		6373410486	CAP. MC-uF-0.1-25V-Z-Y5V-SMD-0		EA	1	NO
2	0C300	No	10		6371115056	CAP. MC-pF-15-50V-J-NPO-SMD-06		EA	1	NO
2	0C301	No	10		6371115056	CAP. MC-pF-15-50V-J-NPO-SMD-06		EA	1	NO
2	0C302	YES	10		6373410486	CAP. MC-uF-0.1-25V-Z-Y5V-SMD-0		EA	1.00000	NO

2	0C303	YES	10	6373410486	CAP. MC-uF-0.1-25V-Z-Y5V-SMD-0	EA	1.00000	NO
2	0C304	YES	10	6373410486	CAP. MC-uF-0.1-25V-Z-Y5V-SMD-0	EA	1.00000	NO
2	0C305	YES	10	6373410486	CAP. MC-uF-0.1-25V-Z-Y5V-SMD-0	EA	1.00000	NO
2	0C306	YES	10	6373410486	CAP. MC-uF-0.1-25V-Z-Y5V-SMD-0	EA	1.00000	NO
2	0C307	YES	10	6373410486	CAP. MC-uF-0.1-25V-Z-Y5V-SMD-0	EA	1.00000	NO
2	0C308	YES	10	6373410486	CAP. MC-uF-0.1-25V-Z-Y5V-SMD-0	EA	1.00000	NO
2	0C309	YES	10	6373410486	CAP. MC-uF-0.1-25V-Z-Y5V-SMD-0	EA	1.00000	NO
2	0C310	YES	10	6373410486	CAP. MC-uF-0.1-25V-Z-Y5V-SMD-0	EA	1.00000	NO

LITE-ON TECHONLOG COR

XXBOMR1001

BOM LIST BY CKT-ID

Block Number:5113300027 Desc:INTERFACE BD-H15AAC--E-2-(C)-CARREFOUR Plan_Level:

Category From:

Approve:Both

Report Date:29-APR-2002 15:21

To:

Org:RD

Page: 2 OF 6

Lvl	CKTID	G1	Apr	OP	Item No	Description	Drqwng No	Uom	Quantity	SFty
2	0C311	Yes	10	6371215106	CAP. MC-pF-150-50V-M-X7R-SMD 0	EA	1.00000	NO		
2	0C312	Yes	10	6371210306	CAP. MC-uF-0.01-50V-M-X7R-SMD	EA	1.00000	NO		
2	0C313	YES	10	6373410486	CAP. MC-uF-0.1-25V-Z-Y5V-SMD-0	EA	1.00000	NO		
2	0C314	YES	10	6375410683	CAP. MC-uF-10-10V-Z-Y5V-SMD-12	EA	1.00000	NO		
2	0C315	Yes	10	6373239316	CAP. MC-uF-0.039-25V-K-X7R-SMD	EA	1.00000	NO		
2	0C318	Yes	10	6371210306	CAP. MC-uF-0.01-50V-M-X7R-SMD	EA	1.00000	NO		
2	0C319	Yes	10	6373247216	CAP. MC-uF-0.0047-25V-K-X7R-SM	EA	1.00000	NO		
2	0C320	Yes	10	6371210306	CAP. MC-uF-0.01-50V-M-X7R-SMD	EA	1.00000	NO		
2	0C321	Yes	10	6371210306	CAP. MC-uF-0.01-50V-M-X7R-SMD	EA	1.00000	NO		
2	0C322	Yes	10	6371210306	CAP. MC-uF-0.01-50V-M-X7R-SMD	EA	1.00000	NO		
2	0C323	Yes	10	6373247216	CAP. MC-uF-0.0047-25V-K-X7R-SM	EA	1.00000	NO		
2	0C324	Yes	10	6371210306	CAP. MC-uF-0.01-50V-M-X7R-SMD	EA	1.00000	NO		
2	0C325	Yes	10	6371210306	CAP. MC-uF-0.01-50V-M-X7R-SMD	EA	1.00000	NO		
2	0C326	Yes	10	6371210306	CAP. MC-uF-0.01-50V-M-X7R-SMD	EA	1.00000	NO		
2	0C327	Yes	10	6373247216	CAP. MC-uF-0.0047-25V-K-X7R-SM	EA	1.00000	NO		
2	0C328	Yes	10	6371210306	CAP. MC-uF-0.01-50V-M-X7R-SMD	EA	1.00000	NO		
2	0C329	Yes	10	6371210306	CAP. MC-uF-0.01-50V-M-X7R-SMD	EA	1.00000	NO		
2	0C330	YES	10	6373410486	CAP. MC-uF-0.1-25V-Z-Y5V-SMD-0	EA	1.00000	NO		
2	0C332	YES	10	6373410486	CAP. MC-uF-0.1-25V-Z-Y5V-SMD-0	EA	1.00000	NO		
2	0C333	YES	10	6373410486	CAP. MC-uF-0.1-25V-Z-Y5V-SMD-0	EA	1.00000	NO		
2	0C334	YES	10	6373410486	CAP. MC-uF-0.1-25V-Z-Y5V-SMD-0	EA	1.00000	NO		
2	0C335	YES	10	6373410486	CAP. MC-uF-0.1-25V-Z-Y5V-SMD-0	EA	1.00000	NO		
2	0C336	YES	10	6373410486	CAP. MC-uF-0.1-25V-Z-Y5V-SMD-0	EA	1.00000	NO		
2	0C337	YES	10	6373410486	CAP. MC-uF-0.1-25V-Z-Y5V-SMD-0	EA	1.00000	NO		
2	0C338	YES	10	6373410486	CAP. MC-uF-0.1-25V-Z-Y5V-SMD-0	EA	1.00000	NO		
2	0C339	YES	10	6373410486	CAP. MC-uF-0.1-25V-Z-Y5V-SMD-0	EA	1.00000	NO		
2	0C340	YES	10	6373410486	CAP. MC-uF-0.1-25V-Z-Y5V-SMD-0	EA	1.00000	NO		
2	0C341	YES	10	6373410486	CAP. MC-uF-0.1-25V-Z-Y5V-SMD-0	EA	1.00000	NO		
2	0C343	No	10	6371115056	CAP. MC-pF-15-50V-J-NPO-SMD-06	EA	1	NO		
2	0C344	YES	10	6373410486	CAP. MC-uF-0.1-25V-Z-Y5V-SMD-0	EA	1.00000	NO		
2	0C345	No	10	6371115056	CAP. MC-pF-15-50V-J-NPO-SMD-06	EA	1	NO		
2	0C346	YES	10	6373247316	CAP. MC-uF-0.047-25V-K-X7R-SMD	EA	1.00000	NO		
2	0C347	YES	10	6373410486	CAP. MC-uF-0.1-25V-Z-Y5V-SMD-0	EA	1.00000	NO		
2	0C348	YES	10	6373410486	CAP. MC-uF-0.1-25V-Z-Y5V-SMD-0	EA	1.00000	NO		
2	0C349	YES	10	6373410486	CAP. MC-uF-0.1-25V-Z-Y5V-SMD-0	EA	1.00000	NO		
2	0C350	YES	10	6373410486	CAP. MC-uF-0.1-25V-Z-Y5V-SMD-0	EA	1.00000	NO		
2	0C351	YES	10	6373410486	CAP. MC-uF-0.1-25V-Z-Y5V-SMD-0	EA	1.00000	NO		
2	0C352	YES	10	6373410486	CAP. MC-uF-0.1-25V-Z-Y5V-SMD-0	EA	1.00000	NO		
2	0C353	YES	10	6373410486	CAP. MC-uF-0.1-25V-Z-Y5V-SMD-0	EA	1.00000	NO		

2	0C354	YES	10	6373410486	CAP. MC-uF-0.1-25V-Z-Y5V-SMD-0	EA	1.00000	NO
2	0C355	YES	10	6373410486	CAP. MC-uF-0.1-25V-Z-Y5V-SMD-0	EA	1.00000	NO
2	0C356	YES	10	6373410486	CAP. MC-uF-0.1-25V-Z-Y5V-SMD-0	EA	1.00000	NO
2	0C357	YES	10	6373410486	CAP. MC-uF-0.1-25V-Z-Y5V-SMD-0	EA	1.00000	NO
2	0C359	Yes	10	6371147056	CAP. MC-pF-47-50V-J-NPO-SMD 06	EA	1.00000	NO
2	0C360	Yes	10	6371147056	CAP. MC-pF-47-50V-J-NPO-SMD 06	EA	1.00000	NO
2	0C361	YES	10	6373410486	CAP. MC-uF-0.1-25V-Z-Y5V-SMD-0	EA	1.00000	NO
2	0C363	YES	10	6373410486	CAP. MC-uF-0.1-25V-Z-Y5V-SMD-0	EA	1.00000	NO
2	0C365	YES	10	6373410486	CAP. MC-uF-0.1-25V-Z-Y5V-SMD-0	EA	1.00000	NO
2	0C366	YES	10	6373410486	CAP. MC-uF-0.1-25V-Z-Y5V-SMD-0	EA	1.00000	NO
2	0C368	YES	10	6373410486	CAP. MC-uF-0.1-25V-Z-Y5V-SMD-0	EA	1.00000	NO
2	0C369	Yes	10	6371110156	CAP. MC-pF-100-50V-J-NPO-SMD 0	EA	1	NO
2	0C370	YES	10	6373410486	CAP. MC-uF-0.1-25V-Z-Y5V-SMD-0	EA	1.00000	NO
2	0C371	YES	10	6373410486	CAP. MC-uF-0.1-25V-Z-Y5V-SMD-0	EA	1.00000	NO
2	0C372	Yes	10	6371110156	CAP. MC-pF-100-50V-J-NPO-SMD 0	EA	1	NO
2	0C373	Yes	10	6371110056	CAP. MC-pF-10-50V-J-NPO-SMD	EA	1	NO

LITE-ON TECHONLOG COR

XXBOMR1001

BOM LIST BY CKT-ID

Block Number:5113300027 Desc:INTERFACE BD-H15AAC--E-2-(C)-CARREFOUR Plan_Level:

Category From:

Approve:Both

Report Date:29-APR-2002 15:21

To:

Org:RD

Page: 3 OF 6

Lvl	CKTID	G1	Apr	OP	Item No	Description	Drqwing No	Uom	Quantity	Sfty
2	0C374	YES	10	6252470256	RES. CHIP-R-KOHM-47-1/10W-J-60	EA	1	NO		
2	0C375	YES	10	6373410486	CAP. MC-uF-0.1-25V-Z-Y5V-SMD-0	EA	1.00000	NO		
2	0C377	YES	10	6373410486	CAP. MC-uF-0.1-25V-Z-Y5V-SMD-0	EA	1.00000	NO		
2	0C378	Yes	10	6371210306	CAP. MC-uF-0.01-50V-M-X7R-SMD	EA	1.00000	NO		
2	0C379	YES	10	6373410486	CAP. MC-uF-0.1-25V-Z-Y5V-SMD-0	EA	1.00000	NO		
2	0C380	Yes	10	6371147056	CAP. MC-pF-47-50V-J-NPO-SMD 06	EA	1	NO		
2	0C381	Yes	10	6371150956	CAP. MC-pF-5-50V-J-NPO-SMD 060	EA	1	NO		
2	0C382	Yes	10	6371110156	CAP. MC-pF-100-50V-J-NPO-SMD 0	EA	1	NO		
2	0C383	YES	10	6373410486	CAP. MC-uF-0.1-25V-Z-Y5V-SMD-0	EA	1.00000	NO		
2	0C385	Yes	10	6371210306	CAP. MC-uF-0.01-50V-M-X7R-SMD	EA	1.00000	NO		
2	0C386	YES	10	6373410486	CAP. MC-uF-0.1-25V-Z-Y5V-SMD-0	EA	1.00000	NO		
2	0C387	YES	10	6373410486	CAP. MC-uF-0.1-25V-Z-Y5V-SMD-0	EA	1	NO		
2	0C388	YES	10	6373410486	CAP. MC-uF-0.1-25V-Z-Y5V-SMD-0	EA	1.00000	NO		
2	0C389	YES	10	6373410486	CAP. MC-uF-0.1-25V-Z-Y5V-SMD-0	EA	1.00000	NO		
2	0C391	Yes	10	6371210306	CAP. MC-uF-0.01-50V-M-X7R-SMD	EA	1.00000	NO		
2	0C392	YES	10	6373410486	CAP. MC-uF-0.1-25V-Z-Y5V-SMD-0	EA	1.00000	NO		
2	0C394	Yes	10	6371210306	CAP. MC-uF-0.01-50V-M-X7R-SMD	EA	1.00000	NO		
2	0C396	YES	10	6373410486	CAP. MC-uF-0.1-25V-Z-Y5V-SMD-0	EA	1.00000	NO		
2	0C398	YES	10	6373410486	CAP. MC-uF-0.1-25V-Z-Y5V-SMD-0	EA	1.00000	NO		
2	0C399	Yes	10	6371210306	CAP. MC-uF-0.01-50V-M-X7R-SMD	EA	1.00000	NO		
2	0C400	YES	10	6375410683	CAP. MC-uF-10-10V-Z-Y5V-SMD-12	EA	1.00000	NO		
2	0C401	YES	10	6373410486	CAP. MC-uF-0.1-25V-Z-Y5V-SMD-0	EA	1.00000	NO		
2	0C402	Yes	10	6371210306	CAP. MC-uF-0.01-50V-M-X7R-SMD	EA	1.00000	NO		
2	0C403	YES	10	6375410683	CAP. MC-uF-10-10V-Z-Y5V-SMD-12	EA	1.00000	NO		
2	0C404	YES	10	6373410486	CAP. MC-uF-0.1-25V-Z-Y5V-SMD-0	EA	1.00000	NO		
2	0C405	Yes	10	6371210306	CAP. MC-uF-0.01-50V-M-X7R-SMD	EA	1.00000	NO		
2	0C407	YES	10	6373410486	CAP. MC-uF-0.1-25V-Z-Y5V-SMD-0	EA	1.00000	NO		
2	0C409	YES	10	6373410486	CAP. MC-uF-0.1-25V-Z-Y5V-SMD-0	EA	1.00000	NO		
2	0C410	Yes	10	6371210306	CAP. MC-uF-0.01-50V-M-X7R-SMD	EA	1.00000	NO		
2	0C411	YES	10	6373410486	CAP. MC-uF-0.1-25V-Z-Y5V-SMD-0	EA	1.00000	NO		
2	0C412	Yes	10	6311210043	ALUMINATOR-uF-10-16V-T-105C--S	EA	1	NO		

2	0C414	YES	10	6373410486	CAP. MC-uF-0.1-25V-Z-Y5V-SMD-0	EA 1	NO
2	0C415	Yes	10	6371210306	CAP. MC-uF-0.01-50V-M-X7R-SMD	EA 1.00000	NO
2	0C416	Yes	10	6371110156	CAP. MC-pF-100-50V-J-NPO-SMD 0	EA 1	NO
2	0C417	YES	10	6373410486	CAP. MC-uF-0.1-25V-Z-Y5V-SMD-0	EA 1	NO
2	0C418	YES	10	6373410486	CAP. MC-uF-0.1-25V-Z-Y5V-SMD-0	EA 1	NO
2	0C419	YES	10	6373410486	CAP. MC-uF-0.1-25V-Z-Y5V-SMD-0	EA 1	NO
2	0C420	No	10	6374447486-01	CAP. MC-uF-0.47-16V-Z-Y5V-SMD-	EA 1	NO
2	0D002	Yes	10	6412025108	DIODE-SWITCHING-S1A-1A/50V-SMD	EA 1	NO
2	0D003	Yes	10	6412025108	DIODE-SWITCHING-S1A-1A/50V-SMD	EA 1	NO
2	0D303	YES	10	6412001778	DIODE-MM4148-SMD-GOODARK---	EA 1.00000	NO
2	0D304	YES	10	6412001778	DIODE-MM4148-SMD-GOODARK---	EA 1.00000	NO
2	0D305	Yes	10	6412019508	DIODE--DAN217 SMD3 T146---ROH	EA 1.00000	NO
2	0D306	YES	10	6412001778	DIODE-MM4148-SMD-GOODARK---	EA 1.00000	NO
2	0D307	Yes	10	6414056038	DIODE-ZNR-RLZ TE-11 5.6B LL-34	EA 1.00000	NO
2	0D308	YES	10	6412001778	DIODE-MM4148-SMD-GOODARK---	EA 1.00000	NO
2	0D309	Yes	10	6414056038	DIODE-ZNR-RLZ TE-11 5.6B LL-34	EA 1.00000	NO
2	0D310	Yes	10	6414056038	DIODE-ZNR-RLZ TE-11 5.6B LL-34	EA 1.00000	NO
2	0D311	Yes	10	6412019508	DIODE--DAN217 SMD3 T146---ROH	EA 1.00000	NO
2	0D312	Yes	10	6412019508	DIODE--DAN217 SMD3 T146---ROH	EA 1.00000	NO
2	0D313	Yes	10	6412019508	DIODE--DAN217 SMD3 T146---ROH	EA 1.00000	NO
2	0D314	Yes	10	6412019508	DIODE--DAN217 SMD3 T146---ROH	EA 1.00000	NO
2	0D315	Yes	10	6412019508	DIODE--DAN217 SMD3 T146---ROH	EA 1.00000	NO
2	0D316	Yes	10	6412019508	DIODE--DAN217 SMD3 T146---ROH	EA 1	NO
2	0D317	Yes	10	6412019508	DIODE--DAN217 SMD3 T146---ROH	EA 1	NO

LITE-ON TECHONLOG COR

XXBOMR1001

BOM LIST BY CKT-ID

Block Number:5113300027 Desc:INTERFACE BD-H15AAC==E-2-(C)-CARREFOUR Plan_Level:

Category From:

Approve:Both

Report Date:29-APR-2002 15:21

To:

Org:RD

Page: 4 OF 6

Lvl	CKTID	G1	Apr	OP	Item No	Description	Drqwing No	Uom	Quantity	SFty
2	0D318	Yes	10	6412019508	DIODE--DAN217 SMD3 T146---ROH			EA	1	NO
2	0D320	YES	10	6413040038	DIODE-SCHOTTKY-RB751V-40-ROHM-			EA	1	NO
2	0I300	Yes	10	6447000406	IC-ASIC-MASCOT II CONTROLLER-1			EA	1.00000	NO
2	0I301	Yes	10	6447000506	IC-ASIC-VITESSE2-100P-QFP-MRT			EA	1.00000	NO
2	0I302	Yes	10	6444006108	IC-MOS-M51953AFP-8P-SOP-			EA	1	NO
2	0I304	YES	10	6448016508	IC-EEPROM-24LC16B/SN-8P-SOP			EA	1	NO
2	0I305	Yes	10	6448018208	IC-24LC02B-8PIN-SOP-MICROCHIP			EA	1	NO
2	0I306	Yes	10	6446006218	IC-TTL-74LVC14-14P-TSSOP-TI			EA	1.00000	NO
2	0I307	Yes	10	6442001978	IC-Linear-LM358DR-8P-SOP-TI			EA	1.00000	NO
2	0I308	Yes	10	6442023326	IC-Linear-AIC1084-33CM-3P-TO26			EA	1.00000	NO
2	0I309	Yes	10	6442018028	IC-LINEAR-AIC1722-33CX-3.3V-SO			EA	1	NO
2	0I310	YES	10	6446008108	IC-TTL-NC7SZ04M5X-5P--FAIRCHIL			EA	1	NO
2	0P303	Yes	10	6640450030	CONNECTOR-FFC-45P-0.5mm-GF056-			EA	1	NO
2	0P303 51	Yes	10	6640045400	CONNECTOR-FPC-45P-0.5mm-XF2H-4			EA	1	NO
2	0P304	Yes	10	6640300040	CONNECTOR-FFC-30P-0.5mm-GF056-			EA	1	NO
2	0P304 51	Yes	10	6640030400	CONNECTOR-FPC-30P-0.5mm-XF2H-3			EA	1	NO
2	0Q300	YES	10	6422007208	TRANSISTOR-NPN-SST2222AT116-T1			EA	1.00000	NO
2	0Q301	YES	10	6422007208	TRANSISTOR-NPN-SST2222AT116-T1			EA	1.00000	NO
2	0Q302	Yes	10	6427002508	FET-P-CHNL-SI2305DS-T1-VISHAY			EA	1	NO
2	0Q303	Yes	10	6422007308	TRANSISTOR-NPN-SST3904T116-T11			EA	1.00000	NO
2	0R001	Yes	10	6252000056	RES. CHIP-R-OHM-0-1/10W-J-0603			EA	1	NO
2	0R003	Yes	10	6252180346	RES. CHIP-R-KOHM-180-1/10W-F-S			EA	1	NO
2	0R004	Yes	10	6252300356	RES. CHIP-R-KOHM-300-1/10W-J-S			EA	1	NO

2	0R040	Yes	10	6252100146	RES. CHIP-R-KOHM-1-1/10W-F-603	EA 1	NO
2	0R041	Yes	10	6252100146	RES. CHIP-R-KOHM-1-1/10W-F-603	EA 1	NO
2	0R042	Yes	10	6252470246	RES. CHIP-R-KOHM-47-1/10W-F-SM	EA 1	NO
2	0R043	Yes	10	6252470246	RES. CHIP-R-KOHM-47-1/10W-F-SM	EA 1	NO
2	0R045	Yes	10	6252100256	RES. CHIP-R-KOHM-10-1/10W-J-06	EA 1	NO
2	0R046	Yes	10	6252000056	RES. CHIP-R-OHM-0-1/10W-J-0603	EA 1	NO
2	0R303	Yes	10	6252100256	RES. CHIP-R-KOHM-10-1/10W-J-06	EA 1.00000	NO
2	0R304	Yes	10	6252100256	RES. CHIP-R-KOHM-10-1/10W-J-06	EA 1.00000	NO
2	0R305	Yes	10	6252100256	RES. CHIP-R-KOHM-10-1/10W-J-06	EA 1.00000	NO
2	0R306	Yes	10	6252510046	RES. CHIP-R-OHM-510-1/10W-F-06	EA 1.00000	NO
2	0R307	YES	10	6252100456	RES. CHIP-R-MOHM-1-1/10W-J-603	EA 1.00000	NO
2	0R308	Yes	10	6252330956	RES. CHIP-R-OHM-33-1/10W-J-060	EA 1.00000	NO
2	0R309	Yes	10	6252330956	RES. CHIP-R-OHM-33-1/10W-J-060	EA 1.00000	NO
2	0R310	Yes	10	6252220156	RES. CHIP-R-KOHM-2.2-1/10W-J-0	EA 1.00000	NO
2	0R311	Yes	10	6252330956	RES. CHIP-R-OHM-33-1/10W-J-060	EA 1.00000	NO
2	0R312	Yes	10	6252330956	RES. CHIP-R-OHM-33-1/10W-J-060	EA 1.00000	NO
2	0R313	YES	10	6252100456	RES. CHIP-R-MOHM-1-1/10W-J-603	EA 1	NO
2	0R314	Yes	10	6252220156	RES. CHIP-R-KOHM-2.2-1/10W-J-0	EA 1	NO
2	0R315	Yes	10	6252220156	RES. CHIP-R-KOHM-2.2-1/10W-J-0	EA 1	NO
2	0R318	Yes	10	6252470156	RES. CHIP-R-KOHM-4.7-1/10W-J-0	EA 1.00000	NO
2	0R319	Yes	10	6252470156	RES. CHIP-R-KOHM-4.7-1/10W-J-0	EA 1.00000	NO
2	0R323	Yes	10	6252330956	RES. CHIP-R-OHM-33-1/10W-J-060	EA 1.00000	NO
2	0R324	Yes	10	6252330956	RES. CHIP-R-OHM-33-1/10W-J-060	EA 1.00000	NO
2	0R325	Yes	10	6252330956	RES. CHIP-R-OHM-33-1/10W-J-060	EA 1.00000	NO
2	0R326	Yes	10	6252330956	RES. CHIP-R-OHM-33-1/10W-J-060	EA 1.00000	NO
2	0R327	Yes	10	6252470156	RES. CHIP-R-KOHM-4.7-1/10W-J-0	EA 1.00000	NO
2	0R328	Yes	10	6252470156	RES. CHIP-R-KOHM-4.7-1/10W-J-0	EA 1.00000	NO
2	0R329	YES	10	6252680056	RES. CHIP-R-OHM-680-1/10W-J-60	EA 1	NO
2	0R330	YES	10	6252100156	RES. CHIP-R-KOHM-1-1/10W-J-603	EA 1	NO
2	0R331	YES	10	6252680056	RES. CHIP-R-OHM-680-1/10W-J-60	EA 1	NO
2	0R332	YES	10	6252100156	RES. CHIP-R-KOHM-1-1/10W-J-603	EA 1.00000	NO
2	0R334	YES	10	6252470256	RES. CHIP-R-KOHM-47-1/10W-J-60	EA 1.00000	NO

LITE-ON TECHONLOG COR

XXBOMR1001

BOM LIST BY CKT-ID

Block Number:5113300027 Desc:INTERFACE BD-H15AAC==E-2-(C)-CARREFOUR Plan_Level:

Category From:

Approve:Both

Report Date:29-APR-2002 15:21

To:

Org:RD

Page: 5 OF 6

Lvl	CKTID	G1	Apr	OP	Item No	Description	Drqwing No	Uom	Quantity	SFty
2	0R335	YES	10		6252470256	RES. CHIP-R-KOHM-47-1/10W-J-60		EA	1.00000	NO
2	0R337	Yes	10		6252470956	RES. CHIP-R-OHM-47-1/10W-J-060		EA	1.00000	NO
2	0R338	Yes	10		6252470956	RES. CHIP-R-OHM-47-1/10W-J-060		EA	1.00000	NO
2	0R339	Yes	10		6252750956	RES. CHIP-R-OHM-75-1/10W-J-060		EA	1.00000	NO
2	0R340	Yes	10		6252750956	RES. CHIP-R-OHM-75-1/10W-J-060		EA	1.00000	NO
2	0R341	Yes	10		6252750956	RES. CHIP-R-OHM-75-1/10W-J-060		EA	1.00000	NO
2	0R342	Yes	10		6252100256	RES. CHIP-R-KOHM-10-1/10W-J-06		EA	1.00000	NO
2	0R343	Yes	10		6252100056	RES. CHIP-R-OHM-100-1/10W-J-06		EA	1.00000	NO
2	0R346	YES	10		6373410486	CAP. MC-uF-0.1-25V-Z-Y5V-SMD-0		EA	1	NO
2	0R347	Yes	10		6252150056	RES. CHIP-R-OHM-150-1/10W-J-06		EA	1	NO
2	0R348	Yes	10		6252100056	RES. CHIP-R-OHM-100-1/10W-J-06		EA	1.00000	NO
2	0R349	Yes	10		6252470156	RES. CHIP-R-KOHM-4.7-1/10W-J-0		EA	1.00000	NO
2	0R350	YES	10		6252330156	RES. CHIP-R-KOHM-3.3-1/10W-J-6		EA	1.00000	NO
2	0R351	Yes	10		6252330956	RES. CHIP-R-OHM-33-1/10W-J-060		EA	1.00000	NO
2	0R352	Yes	10		6252330956	RES. CHIP-R-OHM-33-1/10W-J-060		EA	1.00000	NO

2	0R353	Yes	10	6252015056	RES. CHIP-R-OHM-15-1/10W-J-SMD	EA 1	NO
2	0R354	Yes	10	6252015056	RES. CHIP-R-OHM-15-1/10W-J-SMD	EA 1	NO
2	0R355	Yes	10	6252330956	RES. CHIP-R-OHM-33-1/10W-J-060	EA 1.00000	NO
2	0R356	Yes	10	6252100356	RES. CHIP-R-KOHM-100-1/10W-J-0	EA 1.00000	NO
2	0R357	Yes	10	6252100356	RES. CHIP-R-KOHM-100-1/10W-J-0	EA 1.00000	NO
2	0R358	Yes	10	6252100356	RES. CHIP-R-KOHM-100-1/10W-J-0	EA 1.00000	NO
2	0R359	Yes	10	6252100056	RES. CHIP-R-OHM-100-1/10W-J-06	EA 1.00000	NO
2	0R360	Yes	10	6252100056	RES. CHIP-R-OHM-100-1/10W-J-06	EA 1.00000	NO
2	0R361	Yes	10	6252000056	RES. CHIP-R-OHM-0-1/10W-J-0603	EA 1	NO
2	0R362	Yes	10	6252015056	RES. CHIP-R-OHM-15-1/10W-J-SMD	EA 1	NO
2	0R363	YES	10	6252470256	RES. CHIP-R-KOHM-47-1/10W-J-60	EA 1.00000	NO
2	0R364	YES	10	6252470256	RES. CHIP-R-KOHM-47-1/10W-J-60	EA 1.00000	NO
2	0R365	Yes	10	6252000056	RES. CHIP-R-OHM-0-1/10W-J-0603	EA 1	NO
2	0R366	Yes	10	6252100256	RES. CHIP-R-KOHM-10-1/10W-J-06	EA 1	NO
2	0R367	Yes	10	6252470956	RES. CHIP-R-OHM-47-1/10W-J-060	EA 1	NO
2	0R368	Yes	10	6252150056	RES. CHIP-R-OHM-150-1/10W-J-06	EA 1	NO
2	0R369	Yes	10	6252470956	RES. CHIP-R-OHM-47-1/10W-J-060	EA 1	NO
2	0R370	Yes	10	6252470956	RES. CHIP-R-OHM-47-1/10W-J-060	EA 1	NO
2	0R371	YES	10	6252100156	RES. CHIP-R-KOHM-1-1/10W-J-603	EA 1	NO
2	9N030	Yes	10	1250000110	OIL HOUSE-SOLDER PASTE--	EA .002	NO
2	9N031	No	10	1320001001	OIL HOUSE-CLEANSER FOR SMT-CHU	GL .0028	NO
2	CM301	YES	10	6373410486	CAP. MC-uF-0.1-25V-Z-Y5V-SMD-0	EA 1	NO
2	CM302	YES	10	6373410486	CAP. MC-uF-0.1-25V-Z-Y5V-SMD-0	EA 1	NO
2	CM303	YES	10	6373410486	CAP. MC-uF-0.1-25V-Z-Y5V-SMD-0	EA 1	NO
2	CM304	YES	10	6373410486	CAP. MC-uF-0.1-25V-Z-Y5V-SMD-0	EA 1	NO
2	CM305	YES	10	6373410486	CAP. MC-uF-0.1-25V-Z-Y5V-SMD-0	EA 1	NO
2	CM306	YES	10	6373410486	CAP. MC-uF-0.1-25V-Z-Y5V-SMD-0	EA 1	NO
2	FB301	Yes	10	6881100406	CORE-BEAD-WB201209B300QS--WLSN	EA 1.00000	NO
2	FB302	Yes	10	6881101108	CORE-BEAD-WB201209F050QST--WLS	EA 1.00000	NO
2	FB303	Yes	10	6881101108	CORE-BEAD-WB201209F050QST--WLS	EA 1.00000	NO
2	FB304	Yes	10	6881101108	CORE-BEAD-WB201209F050QST--WLS	EA 1.00000	NO
2	FB305	Yes	10	6881601578	CORE-BEAD-SBK160808T-300Y-S--C	EA 1	NO
2	FB306	Yes	10	6881601578	CORE-BEAD-SBK160808T-300Y-S--C	EA 1	NO
2	FB307	Yes	10	6881601578	CORE-BEAD-SBK160808T-300Y-S--C	EA 1	NO
2	FB308	YES	10	6881101928	CORE-BEAD-WB201209B401QNT WLSN	EA 1.00000	NO
2	FB309	YES	10	6881101928	CORE-BEAD-WB201209B401QNT WLSN	EA 1.00000	NO
2	FB310	Yes	10	6881100406	CORE-BEAD-WB201209B300QS--WLSN	EA 1.0000000	NO
2	FB312	Yes	10	6881100406	CORE-BEAD-WB201209B300QS--WLSN	EA 1.00000	NO
2	FB313	Yes	10	6881100406	CORE-BEAD-WB201209B300QS--WLSN	EA 1.00000	NO
2	FB314	Yes	10	6881102068	CORE-BEAD-FCM2012 C-501T03-SMD	EA 1	NO

LITE-ON TECHONLOG COR

XXBOMR1001

BOM LIST BY CKT-ID

Block Number:5113300027 Desc:INTERFACE BD-H15AAC--E-2-(C)-CARREFOUR Plan_Level:

Category From:

Approve:Both

Report Date:29-APR-2002 15:21

To:

Org:RD

Page: 6 OF 6

Lvl	CKTID	G1	Apr	OP	Item No	Description	Drqwing No	Uom	Quantity	SFTy
2	FB315	Yes	10		6881102068	CORE-BEAD-FCM2012 C-501T03-SMD		EA	1	NO
2	FB316	Yes	10		6881100406	CORE-BEAD-WB201209B300QS--WLSN		EA	1.00000	NO
2	FB317	Yes	10		6881100406	CORE-BEAD-WB201209B300QS--WLSN		EA	1.00000	NO
2	FB318	Yes	10		6881100406	CORE-BEAD-WB201209B300QS--WLSN		EA	1.00000	NO
2	FB319	Yes	10		6881100406	CORE-BEAD-WB201209B300QS--WLSN		EA	1.00000	NO
2	FB320	Yes	10		6881100406	CORE-BEAD-WB201209B300QS--WLSN		EA	1.00000	NO
2	FB321	Yes	10		6881100406	CORE-BEAD-WB201209B300QS--WLSN		EA	1.00000	NO

2	FB322	Yes	10	6881100406	CORE-BEAD-WB201209B300QS--WLSN	EA	1.00000	NO
2	FB323	Yes	10	6881100406	CORE-BEAD-WB201209B300QS--WLSN	EA	1.00000	NO
2	FB324	Yes	10	6881100406	CORE-BEAD-WB201209B300QS--WLSN	EA	1.00000	NO
2	FB325	Yes	10	6881100406	CORE-BEAD-WB201209B300QS--WLSN	EA	1.00000	NO
2	FB326	Yes	10	6881100406	CORE-BEAD-WB201209B300QS--WLSN	EA	1.00000	NO
2	FB328	YES	10	6881601378	CORE-BEAD-SBK160808T-600Y-S--C	EA	1	NO
2	FB329	YES	10	6881601378	CORE-BEAD-SBK160808T-600Y-S--C	EA	1	NO
2	FB330	YES	10	6881601378	CORE-BEAD-SBK160808T-600Y-S--C	EA	1	NO
2	I303B	Yes	10	6626440020	SOCKET-IC-8111-44TAB2-44P-PLCC	EA	1.00000	NO
2	RP300	YES	10	6263302818	RES. FRN-OHM-33-1/16W-J	EA	1.00000	NO
2	RP301	YES	10	6263302818	RES. FRN-OHM-33-1/16W-J	EA	1.00000	NO
2	RP302	YES	10	6263302818	RES. FRN-OHM-33-1/16W-J	EA	1.00000	NO
2	RP303	YES	10	6263302818	RES. FRN-OHM-33-1/16W-J	EA	1.00000	NO
2	RP304	YES	10	6263302818	RES. FRN-OHM-33-1/16W-J	EA	1.00000	NO
2	RP305	YES	10	6263302818	RES. FRN-OHM-33-1/16W-J	EA	1.00000	NO
2	RP306	YES	10	6263302818	RES. FRN-OHM-33-1/16W-J	EA	1.00000	NO
2	RP307	YES	10	6263302818	RES. FRN-OHM-33-1/16W-J	EA	1.00000	NO
2	RP308	YES	10	6263302818	RES. FRN-OHM-33-1/16W-J	EA	1.00000	NO
2	RP309	YES	10	6263302818	RES. FRN-OHM-33-1/16W-J	EA	1.00000	NO
2	RP310	YES	10	6263302818	RES. FRN-OHM-33-1/16W-J	EA	1.00000	NO
2	RP311	YES	10	6263302818	RES. FRN-OHM-33-1/16W-J	EA	1.00000	NO
2	RP312	YES	10	6263302818	RES. FRN-OHM-33-1/16W-J	EA	1.00000	NO
2	RP313	YES	10	6263302818	RES. FRN-OHM-33-1/16W-J	EA	1.00000	NO
2	RP314	YES	10	6263302818	RES. FRN-OHM-33-1/16W-J	EA	1.00000	NO
2	RP315	YES	10	6263302818	RES. FRN-OHM-33-1/16W-J	EA	1.00000	NO
2	RP316	YES	10	6263302818	RES. FRN-OHM-33-1/16W-J	EA	1.00000	NO
2	RP317	YES	10	6263302818	RES. FRN-OHM-33-1/16W-J	EA	1.00000	NO
2	RP318	Yes	10	6261032818	RES. FRN-KOHM-10-1/16W-J	EA	1.00000	NO
2	RP319	Yes	10	6264702818	RES. FRN-OHM-47-1/16W-J	EA	1	NO
2	RP320	Yes	10	6264702818	RES. FRN-OHM-47-1/16W-J	EA	1	NO
2	U1238	No	10	6832123800-02	PCB-INTERFACE BD-PTB-1238-REV.	EA	1	YES

LITE-ON TECHONLOG CORP

XXBOMR1001

BOM LIST BY CKT-ID

Block Number:5114100024 Desc:CONTROL BD-AUDIO JACK BD-H15AAU(9)--E-1 Plan_Level:

Category From:

Approve:Both

Report Date:29-APR-2002 15:22

To:

Org:RD

Page: 1 OF 1

Lvl	CKTID	G1	Apr	OP	Item No	Description	Drqwing No	Uom	Quantity	SFty
1	02U01		Yes	10	1241000200	LABEL-DATE CODE-----	8340000485	EA	1	NO
1	0P001		YES	10	6613030020	PLUG-03P-2.0mm-JWT-A2001WV2-03		EA	1.00000	NO
1	9N010		No	10	1250000130	WIRE-SOLDER-ADEPO S60A--		kg	.00001	NO
1	9N020		No	10	1250000141	WIRE-SOLDER-12M/M--		kg	.00003	NO
1	9N025		No	10	1250000221	FLUX-RF800T3-LONCO		GL	.003	NO
1	9N030		No	10	1250000321	OIL HOUSE-THINNER LONCO RF800A		GL	.0005	NO
1	9N050		No	10	1250000100	OIL HOUSE-SOLDER BAR ADEPTO S6		I	.002	NO
1	JK011		Yes	10	6627002000	JACK-PHONE---MSJ-035-12D PC BL		EA	1.00000	NO
1	U1234		No	10	6832123400-01	PCB-AUDIO JACK BD-PTB-1234-01		EA	1	YES

LITE-ON TECHONLOG CORP

XXBOMR1001

BOM LIST BY CKT-ID

Block Number:5113800008 Desc:FUNCTION KEY BD-H15AAR(9)-=U-4-(C)-ACER Plan_Level:

Category From:

Approve:Both

Report Date:29-APR-2002 15:18

To:

Org:RD

Page: 1 OF 1

Lvl	CKTID	G1	Apr	OP	Item No	Description	Drqwing No	Uom	Quantity	SFty
1	0D600	Yes	10	10	6418004703	LED-LTL-58EDJ-YELLOW/GREEN-BUL		EA	1	NO
1	0GND1	Yes	10	10	6714010551-31	HARNESS--1P-44mm-BD144+HSTUB--		EA	1.00000	NO
1	0P601	Yes	10	10	6613080020	PLUG-8P-2.0mm-A2001WR2-08-JWT		EA	1.00000	NO
1	0S601	YES	10	10	6853001100	SWITCH-TACT-SKHHAK2510-UE-BLK-		EA	1	YES
1	0S602	YES	10	10	6853001100	SWITCH-TACT-SKHHAK2510-UE-BLK-		EA	1	YES
1	0S603	YES	10	10	6853001100	SWITCH-TACT-SKHHAK2510-UE-BLK-		EA	1	YES
1	0S604	YES	10	10	6853001100	SWITCH-TACT-SKHHAK2510-UE-BLK-		EA	1	YES
1	0S605	YES	10	10	6853001100	SWITCH-TACT-SKHHAK2510-UE-BLK-		EA	1	YES
1	9N005	No	10	10	1250000100	OIL HOUSE-SOLDER BAR ADEPTO S6		I	.004	NO
1	9N010	No	10	10	1250000130	WIRE-SOLDER-ADEPO S60A--		kg	.00001	NO
1	9N015	No	10	10	1250000143	WIRE-SOLDER-SUPER--		EA	.0004	NO
1	9N025	No	10	10	1250000221	FLUX-RF800T3-LONCO		GL	.002	NO
1	9N030	No	10	10	1250000321	OIL HOUSE-THINNER LONCO RF800A		GL	.0005	NO
1	9N066	No	10	10	1250200223	OIL HOUSE-PREVENTOR 500--		EA	.00005	NO
1	9N080	Yes	10	10	1240000423	TAPE--50Mx508mmx0055mm-PCK-		RL	.000054	NO
1	00000	No	10	10	5713800008	AI-FUNCTION KEY BD-H15AAR(9)-=		EA	1	NO
2	0C601	Yes	10	10	6341410485	CAP. MC-uF-0.1-50V-Z-Y5V-T-RD2		EA	1.0000000	NO
2	0C602	Yes	10	10	6341410485	CAP. MC-uF-0.1-50V-Z-Y5V-T-RD2		EA	1.0000000	NO
2	0C603	Yes	10	10	6341410485	CAP. MC-uF-0.1-50V-Z-Y5V-T-RD2		EA	1.0000000	NO
2	0C604	Yes	10	10	6341410485	CAP. MC-uF-0.1-50V-Z-Y5V-T-RD2		EA	1.0000000	NO
2	0C605	Yes	10	10	6341410485	CAP. MC-uF-0.1-50V-Z-Y5V-T-RD2		EA	1.0000000	NO
2	U1246	No	10	10	6832124600-01	PCB-FUNCTION KEY BD-PTB-1246-R		EA	1.0000000	YES

LITE-ON TECHONLOG CORP

XXBOMR1001

BOM LIST BY CKT-ID

Block Number:5113200019 Desc:INVERTER BD-H15AAR(9)-=U-4-(C)-ACER Plan_Level:

Category From: Approve:Both Report Date:29-APR-2002 15:20

To: Org:RD Page: 1 OF 1

Lvl	CKTID	G1	Apr	OP	Item No	Description	Drqwing No	Uom	Quantity	SFty
1	00INV	Yes	10	6716009900	INVERTER-DC-AC 15V-AMBIT:T15I0			EA	1.00000	YES

LITE-ON TECHONLOG CORP

XXBOMR1001

BOM LIST BY CKT-ID

Block Number:5113300028 Desc:INTERFACE BD-H15AAR(9)--U-4-(C)-ACER Plan_Level:

Category From:

Approve:Both

Report Date:29-APR-2002 15:19

To:

Org:RD

Page: 1 OF 6

Lvl	CKTID	G1	Apr	OP	Item No	Description	Drqwing No	Uom	Quantity	Sfty
1	02U01	No	10	1241000205	LABEL-ID DATE CODE-----		EA	1	NO	
1	02U02	Yes	10	7735414540	LABEL-IC LABEL-LITE-ON--ALL-WH	8440001964	EA	1	NO	NO
1	0C003	Yes	10	6311347142	CAP. ALU-uF-470-25V-F-105C-10x		EA	1	NO	
1	0C010	Yes	10	6311310142	CAP. ALU-uF-100-25V-F-105C-6.3		EA	1	NO	
1	0C040	Yes	10	6311547979	CAP. ALU-uF-4.7-50V-F-105C-6.3		EA	1	NO	
1	0C041	Yes	10	6311547979	CAP. ALU-uF-4.7-50V-F-105C-6.3		EA	1	NO	
1	0C042	Yes	10	6311347142	CAP. ALU-uF-470-25V-F-105C-10x		EA	1	NO	
1	0C043	Yes	10	6311347142	CAP. ALU-uF-470-25V-F-105C-10x		EA	1	NO	
1	0C331	Yes	10	6311210169	CAP. ALU-uF-100-16V-F-105C-6X7		EA	1	NO	
1	0C342	Yes	10	6311122149	CAP. ALU-uF-220-10V-NF-105C-8X		EA	1	NO	
1	0C376	Yes	10	6311110299	CAP. ALU-uF-1000-10V-F-105-10X		EA	1	NO	
1	0C384	Yes	10	6311122149	CAP. ALU-uF-220-10V-NF-105C-8X		EA	1	NO	
1	0C390	Yes	10	6311368149	CAP. ALU-uF-680-25V-NF-105C-10		EA	1	NO	
1	0C393	Yes	10	6311110299	CAP. ALU-uF-1000-10V-F-105-10X		EA	1	NO	
1	0C395	Yes	10	6310168148	ALUMINATOR-uF-680-10V--105C-10		EA	1	NO	
1	0C397	Yes	10	6310168148	ALUMINATOR-uF-680-10V--105C-10		EA	1	NO	
1	0C406	Yes	10	6311210169	CAP. ALU-uF-100-16V-F-105C-6X7		EA	1	NO	
1	0C408	Yes	10	6311210169	CAP. ALU-uF-100-16V-F-105C-6X7		EA	1	NO	
1	0D300	Yes	10	6442001345	IC-LINEAR-KA431AZTA-3PIN-TO-92		EA	1	NO	
1	0I001	Yes	10	6442023100	IC-Linear-TDA7496L-20P-PDIP-SG		EA	1	NO	
1	0I303	Yes	10	6448018900	IC-CPU-SM89516C25J-44PIN-PLCC-		EA	1	NO	
1	0L001	Yes	10	6111456131	COIL CHOKE--uH-45-K-DRWW10x10L		EA	1	NO	
1	0L300	Yes	10	6111307130	COIL CHOKE--uH-3-K-DRWW6x8G3-		EA	1.00000	NO	
1	0L301	Yes	10	6111307130	COIL CHOKE--uH-3-K-DRWW6x8G3-		EA	1.00000	NO	
1	0P001	Yes	10	6613030030	PLUG-3P-2.0mm-A2001WR2-03-JWT		EA	1	NO	
1	0P002	Yes	10	6613040020	PLUG-4P-2.0mm-A2001WR2-04-JWT		EA	1	NO	
1	0P301	Yes	10	6613090010	PLUG-09P-2.0mm-JWT-A2001WV2-09		EA	1.00000	NO	
1	0P302	Yes	10	6613140020	PLUG-14P-2.0mm-A200/WV2-14P-JW		EA	1.00000	NO	
1	0P305	Yes	10	6613100020	PLUG-10P-2.0mm-A2001WV2-10-JWT		EA	1.00000	NO	
1	0X300	Yes	10	6449003410	CRYSTAL-12.000MHZ-AT-49-KDS-		EA	1	NO	
1	0X301	Yes	10	6449003410	CRYSTAL-12.000MHZ-AT-49-KDS-		EA	1	NO	
1	9N005	Yes	10	1250000144	WIRE-SOLDER-06m/m--		lb	.001	NO	
1	9N010	No	10	1250000100	OIL HOUSE-SOLDER BAR ADEPTO S6		I	.004	NO	
1	9N020	No	10	1250000321	OIL HOUSE-THINNER LONCO RF800A		GL	.006	NO	
1	9N025	No	10	1250000221	FLUX-RF800T3-LONCO		GL	.003	NO	
1	I001M	No	10	7746402571-0A	HEAT SINK--GC150ATA-AL-CLEAN	8440003873	EA	1	NO	NO
1	I001N	No	10	1250000520	HEAT SINK-COMPOUND---		kg	.0001	NO	
1	I303A	No	10	9083000198-05	F/W-H15AAR-M105-ACER		EA	1	NO	
1	00000	No	10	5213300028	SMT-INTERFACE BD-H15AAR(9)--U		EA	1.00000	NO	
2	0C002	YES	10	6373410486	CAP. MC-uF-0.1-25V-Z-Y5V-SMD-0		EA	1	NO	
2	0C004	YES	10	6373410486	CAP. MC-uF-0.1-25V-Z-Y5V-SMD-0		EA	1	NO	
2	0C007	YES	10	6373410486	CAP. MC-uF-0.1-25V-Z-Y5V-SMD-0		EA	1	NO	
2	0C008	YES	10	6373410486	CAP. MC-uF-0.1-25V-Z-Y5V-SMD-0		EA	1	NO	
2	0C015	YES	10	6373410486	CAP. MC-uF-0.1-25V-Z-Y5V-SMD-0		EA	1	NO	
2	0C044	YES	10	6373410486	CAP. MC-uF-0.1-25V-Z-Y5V-SMD-0		EA	1	NO	
2	0C300	No	10	6371115056	CAP. MC-pF-15-50V-J-NPO-SMD-06		EA	1	NO	
2	0C301	No	10	6371115056	CAP. MC-pF-15-50V-J-NPO-SMD-06		EA	1	NO	

2	0C302	YES	10	6373410486	CAP. MC-uF-0.1-25V-Z-Y5V-SMD-0	EA	1.00000	NO
2	0C303	YES	10	6373410486	CAP. MC-uF-0.1-25V-Z-Y5V-SMD-0	EA	1.00000	NO
2	0C304	YES	10	6373410486	CAP. MC-uF-0.1-25V-Z-Y5V-SMD-0	EA	1.00000	NO
2	0C305	YES	10	6373410486	CAP. MC-uF-0.1-25V-Z-Y5V-SMD-0	EA	1.00000	NO
2	0C306	YES	10	6373410486	CAP. MC-uF-0.1-25V-Z-Y5V-SMD-0	EA	1.00000	NO
2	0C307	YES	10	6373410486	CAP. MC-uF-0.1-25V-Z-Y5V-SMD-0	EA	1.00000	NO
2	0C308	YES	10	6373410486	CAP. MC-uF-0.1-25V-Z-Y5V-SMD-0	EA	1.00000	NO
2	0C309	YES	10	6373410486	CAP. MC-uF-0.1-25V-Z-Y5V-SMD-0	EA	1.00000	NO

LITE-ON TECHONLOG COR

XXBOMR1001

BOM LIST BY CKT-ID

Block Number:5113300028 Desc:INTERFACE BD-H15AAR(9)--U-4-(C)-ACER Plan_Level:

Category From:

Approve:Both

Report Date:29-APR-2002 15:19

To:

Org:RD

Page: 2 OF 6

Lvl	CKTID	G1	Apr	OP	Item No	Description	Drqwing No	Uom	Quantity	SFty
2	0C310	YES	10	6373410486	CAP. MC-uF-0.1-25V-Z-Y5V-SMD-0			EA	1.00000	NO
2	0C311	Yes	10	6371215106	CAP. MC-pF-150-50V-M-X7R-SMD 0			EA	1.00000	NO
2	0C312	Yes	10	6371210306	CAP. MC-uF-0.01-50V-M-X7R-SMD			EA	1.00000	NO
2	0C313	YES	10	6373410486	CAP. MC-uF-0.1-25V-Z-Y5V-SMD-0			EA	1.00000	NO
2	0C314	YES	10	6375410683	CAP. MC-uF-10-10V-Z-Y5V-SMD-12			EA	1.00000	NO
2	0C315	Yes	10	6373239316	CAP. MC-uF-0.039-25V-K-X7R-SMD			EA	1.00000	NO
2	0C318	Yes	10	6371210306	CAP. MC-uF-0.01-50V-M-X7R-SMD			EA	1.00000	NO
2	0C319	Yes	10	6373247216	CAP. MC-uF-0.0047-25V-K-X7R-SM			EA	1.00000	NO
2	0C320	Yes	10	6371210306	CAP. MC-uF-0.01-50V-M-X7R-SMD			EA	1.00000	NO
2	0C321	Yes	10	6371210306	CAP. MC-uF-0.01-50V-M-X7R-SMD			EA	1.00000	NO
2	0C322	Yes	10	6371210306	CAP. MC-uF-0.01-50V-M-X7R-SMD			EA	1.00000	NO
2	0C323	Yes	10	6373247216	CAP. MC-uF-0.0047-25V-K-X7R-SM			EA	1.00000	NO
2	0C324	Yes	10	6371210306	CAP. MC-uF-0.01-50V-M-X7R-SMD			EA	1.00000	NO
2	0C325	Yes	10	6371210306	CAP. MC-uF-0.01-50V-M-X7R-SMD			EA	1.00000	NO
2	0C326	Yes	10	6371210306	CAP. MC-uF-0.01-50V-M-X7R-SMD			EA	1.00000	NO
2	0C327	Yes	10	6373247216	CAP. MC-uF-0.0047-25V-K-X7R-SM			EA	1.00000	NO
2	0C328	Yes	10	6371210306	CAP. MC-uF-0.01-50V-M-X7R-SMD			EA	1.00000	NO
2	0C329	Yes	10	6371210306	CAP. MC-uF-0.01-50V-M-X7R-SMD			EA	1.00000	NO
2	0C330	YES	10	6373410486	CAP. MC-uF-0.1-25V-Z-Y5V-SMD-0			EA	1.00000	NO
2	0C332	YES	10	6373410486	CAP. MC-uF-0.1-25V-Z-Y5V-SMD-0			EA	1.00000	NO
2	0C333	YES	10	6373410486	CAP. MC-uF-0.1-25V-Z-Y5V-SMD-0			EA	1.00000	NO
2	0C334	YES	10	6373410486	CAP. MC-uF-0.1-25V-Z-Y5V-SMD-0			EA	1.00000	NO
2	0C335	YES	10	6373410486	CAP. MC-uF-0.1-25V-Z-Y5V-SMD-0			EA	1.00000	NO
2	0C336	YES	10	6373410486	CAP. MC-uF-0.1-25V-Z-Y5V-SMD-0			EA	1.00000	NO
2	0C337	YES	10	6373410486	CAP. MC-uF-0.1-25V-Z-Y5V-SMD-0			EA	1.00000	NO
2	0C338	YES	10	6373410486	CAP. MC-uF-0.1-25V-Z-Y5V-SMD-0			EA	1.00000	NO
2	0C339	YES	10	6373410486	CAP. MC-uF-0.1-25V-Z-Y5V-SMD-0			EA	1.00000	NO
2	0C340	YES	10	6373410486	CAP. MC-uF-0.1-25V-Z-Y5V-SMD-0			EA	1.00000	NO
2	0C341	YES	10	6373410486	CAP. MC-uF-0.1-25V-Z-Y5V-SMD-0			EA	1.00000	NO
2	0C343	No	10	6371115056	CAP. MC-pF-15-50V-J-NPO-SMD-06			EA	1	NO
2	0C344	YES	10	6373410486	CAP. MC-uF-0.1-25V-Z-Y5V-SMD-0			EA	1.00000	NO
2	0C345	No	10	6371115056	CAP. MC-pF-15-50V-J-NPO-SMD-06			EA	1	NO
2	0C346	YES	10	6373247316	CAP. MC-uF-0.047-25V-K-X7R-SMD			EA	1.00000	NO
2	0C347	YES	10	6373410486	CAP. MC-uF-0.1-25V-Z-Y5V-SMD-0			EA	1.00000	NO
2	0C348	YES	10	6373410486	CAP. MC-uF-0.1-25V-Z-Y5V-SMD-0			EA	1.00000	NO
2	0C349	YES	10	6373410486	CAP. MC-uF-0.1-25V-Z-Y5V-SMD-0			EA	1.00000	NO
2	0C350	YES	10	6373410486	CAP. MC-uF-0.1-25V-Z-Y5V-SMD-0			EA	1.00000	NO
2	0C351	YES	10	6373410486	CAP. MC-uF-0.1-25V-Z-Y5V-SMD-0			EA	1.00000	NO
2	0C352	YES	10	6373410486	CAP. MC-uF-0.1-25V-Z-Y5V-SMD-0			EA	1.00000	NO

2	0C353	YES	10	6373410486	CAP. MC-uF-0.1-25V-Z-Y5V-SMD-0	EA	1.00000	NO
2	0C354	YES	10	6373410486	CAP. MC-uF-0.1-25V-Z-Y5V-SMD-0	EA	1.00000	NO
2	0C355	YES	10	6373410486	CAP. MC-uF-0.1-25V-Z-Y5V-SMD-0	EA	1.00000	NO
2	0C356	YES	10	6373410486	CAP. MC-uF-0.1-25V-Z-Y5V-SMD-0	EA	1.00000	NO
2	0C357	YES	10	6373410486	CAP. MC-uF-0.1-25V-Z-Y5V-SMD-0	EA	1.00000	NO
2	0C359	Yes	10	6371147056	CAP. MC-pF-47-50V-J-NPO-SMD 06	EA	1.00000	NO
2	0C360	Yes	10	6371147056	CAP. MC-pF-47-50V-J-NPO-SMD 06	EA	1.00000	NO
2	0C361	YES	10	6373410486	CAP. MC-uF-0.1-25V-Z-Y5V-SMD-0	EA	1.00000	NO
2	0C363	YES	10	6373410486	CAP. MC-uF-0.1-25V-Z-Y5V-SMD-0	EA	1.00000	NO
2	0C365	YES	10	6373410486	CAP. MC-uF-0.1-25V-Z-Y5V-SMD-0	EA	1.00000	NO
2	0C366	YES	10	6373410486	CAP. MC-uF-0.1-25V-Z-Y5V-SMD-0	EA	1.00000	NO
2	0C368	YES	10	6373410486	CAP. MC-uF-0.1-25V-Z-Y5V-SMD-0	EA	1.00000	NO
2	0C369	Yes	10	6371110156	CAP. MC-pF-100-50V-J-NPO-SMD 0	EA	1	NO
2	0C370	YES	10	6373410486	CAP. MC-uF-0.1-25V-Z-Y5V-SMD-0	EA	1.00000	NO
2	0C371	YES	10	6373410486	CAP. MC-uF-0.1-25V-Z-Y5V-SMD-0	EA	1.00000	NO
2	0C372	Yes	10	6371110156	CAP. MC-pF-100-50V-J-NPO-SMD 0	EA	1	NO

LITE-ON TECHONLOG COR

XXBOMR1001

BOM LIST BY CKT-ID

Block Number:5113300028 Desc:INTERFACE BD-H15AAR(9)--U-4-(C)-ACER Plan_Level:

Category From: Approve:Both Report Date:29-APR-2002 15:19

To: Org:RD Page: 3 OF 6

Lvl	CKTID	G1	Apr	OP	Item No	Description	Drqwing No	Uom	Quantity	SFty
2	0C373	Yes	10	6371110056	CAP. MC-pF-10-50V-J-NPO-SMD	EA	1	NO		
2	0C374	YES	10	6252470256	RES. CHIP-R-KOHM-47-1/10W-J-60	EA	1	NO		
2	0C375	YES	10	6373410486	CAP. MC-uF-0.1-25V-Z-Y5V-SMD-0	EA	1.00000	NO		
2	0C377	YES	10	6373410486	CAP. MC-uF-0.1-25V-Z-Y5V-SMD-0	EA	1.00000	NO		
2	0C378	Yes	10	6371210306	CAP. MC-uF-0.01-50V-M-X7R-SMD	EA	1.00000	NO		
2	0C379	YES	10	6373410486	CAP. MC-uF-0.1-25V-Z-Y5V-SMD-0	EA	1.00000	NO		
2	0C380	Yes	10	6371147056	CAP. MC-pF-47-50V-J-NPO-SMD 06	EA	1	NO		
2	0C381	Yes	10	6371150956	CAP. MC-pF-5-50V-J-NPO-SMD 060	EA	1	NO		
2	0C382	Yes	10	6371110156	CAP. MC-pF-100-50V-J-NPO-SMD 0	EA	1	NO		
2	0C383	YES	10	6373410486	CAP. MC-uF-0.1-25V-Z-Y5V-SMD-0	EA	1.00000	NO		
2	0C385	Yes	10	6371210306	CAP. MC-uF-0.01-50V-M-X7R-SMD	EA	1.00000	NO		
2	0C386	YES	10	6373410486	CAP. MC-uF-0.1-25V-Z-Y5V-SMD-0	EA	1.00000	NO		
2	0C387	YES	10	6373410486	CAP. MC-uF-0.1-25V-Z-Y5V-SMD-0	EA	1	NO		
2	0C388	YES	10	6373410486	CAP. MC-uF-0.1-25V-Z-Y5V-SMD-0	EA	1.00000	NO		
2	0C389	YES	10	6373410486	CAP. MC-uF-0.1-25V-Z-Y5V-SMD-0	EA	1.00000	NO		
2	0C391	Yes	10	6371210306	CAP. MC-uF-0.01-50V-M-X7R-SMD	EA	1.00000	NO		
2	0C392	YES	10	6373410486	CAP. MC-uF-0.1-25V-Z-Y5V-SMD-0	EA	1.00000	NO		
2	0C394	Yes	10	6371210306	CAP. MC-uF-0.01-50V-M-X7R-SMD	EA	1.00000	NO		
2	0C396	YES	10	6373410486	CAP. MC-uF-0.1-25V-Z-Y5V-SMD-0	EA	1.00000	NO		
2	0C398	YES	10	6373410486	CAP. MC-uF-0.1-25V-Z-Y5V-SMD-0	EA	1.00000	NO		
2	0C399	Yes	10	6371210306	CAP. MC-uF-0.01-50V-M-X7R-SMD	EA	1.00000	NO		
2	0C400	YES	10	6375410683	CAP. MC-uF-10-10V-Z-Y5V-SMD-12	EA	1.00000	NO		
2	0C401	YES	10	6373410486	CAP. MC-uF-0.1-25V-Z-Y5V-SMD-0	EA	1.00000	NO		
2	0C402	Yes	10	6371210306	CAP. MC-uF-0.01-50V-M-X7R-SMD	EA	1.00000	NO		
2	0C403	YES	10	6375410683	CAP. MC-uF-10-10V-Z-Y5V-SMD-12	EA	1.00000	NO		
2	0C404	YES	10	6373410486	CAP. MC-uF-0.1-25V-Z-Y5V-SMD-0	EA	1.00000	NO		
2	0C405	Yes	10	6371210306	CAP. MC-uF-0.01-50V-M-X7R-SMD	EA	1.00000	NO		
2	0C407	YES	10	6373410486	CAP. MC-uF-0.1-25V-Z-Y5V-SMD-0	EA	1.00000	NO		
2	0C409	YES	10	6373410486	CAP. MC-uF-0.1-25V-Z-Y5V-SMD-0	EA	1.00000	NO		
2	0C410	Yes	10	6371210306	CAP. MC-uF-0.01-50V-M-X7R-SMD	EA	1.00000	NO		
2	0C411	YES	10	6373410486	CAP. MC-uF-0.1-25V-Z-Y5V-SMD-0	EA	1.00000	NO		

2	0C412	Yes	10	6311210043	ALUMINATOR-uF-10-16V-T-105C--S	EA 1	NO
2	0C414	YES	10	6373410486	CAP. MC-uF-0.1-25V-Z-Y5V-SMD-0	EA 1	NO
2	0C415	Yes	10	6371210306	CAP. MC-uF-0.01-50V-M-X7R-SMD	EA 1.00000	NO
2	0C416	Yes	10	6371110156	CAP. MC-pF-100-50V-J-NPO-SMD 0	EA 1	NO
2	0C417	YES	10	6373410486	CAP. MC-uF-0.1-25V-Z-Y5V-SMD-0	EA 1	NO
2	0C418	YES	10	6373410486	CAP. MC-uF-0.1-25V-Z-Y5V-SMD-0	EA 1	NO
2	0C419	YES	10	6373410486	CAP. MC-uF-0.1-25V-Z-Y5V-SMD-0	EA 1	NO
2	0C420	No	10	6374447486-01	CAP. MC-uF-0.47-16V-Z-Y5V-SMD-	EA 1	NO
2	0D002	Yes	10	6412025108	DIODE-SWITCHING-S1A-1A/50V-SMD	EA 1	NO
2	0D003	Yes	10	6412025108	DIODE-SWITCHING-S1A-1A/50V-SMD	EA 1	NO
2	0D303	YES	10	6412001778	DIODE-MM4148-SMD-GOODARK---	EA 1.00000	NO
2	0D304	YES	10	6412001778	DIODE-MM4148-SMD-GOODARK---	EA 1.00000	NO
2	0D305	Yes	10	6412019508	DIODE--DAN217 SMD3 T146---ROH	EA 1.00000	NO
2	0D306	YES	10	6412001778	DIODE-MM4148-SMD-GOODARK---	EA 1.00000	NO
2	0D307	Yes	10	6414056038	DIODE-ZNR-RLZ TE-11 5.6B LL-34	EA 1.00000	NO
2	0D308	YES	10	6412001778	DIODE-MM4148-SMD-GOODARK---	EA 1.00000	NO
2	0D309	Yes	10	6414056038	DIODE-ZNR-RLZ TE-11 5.6B LL-34	EA 1.00000	NO
2	0D310	Yes	10	6414056038	DIODE-ZNR-RLZ TE-11 5.6B LL-34	EA 1.00000	NO
2	0D311	Yes	10	6412019508	DIODE--DAN217 SMD3 T146---ROH	EA 1.00000	NO
2	0D312	Yes	10	6412019508	DIODE--DAN217 SMD3 T146---ROH	EA 1.00000	NO
2	0D313	Yes	10	6412019508	DIODE--DAN217 SMD3 T146---ROH	EA 1.00000	NO
2	0D314	Yes	10	6412019508	DIODE--DAN217 SMD3 T146---ROH	EA 1.00000	NO
2	0D315	Yes	10	6412019508	DIODE--DAN217 SMD3 T146---ROH	EA 1.00000	NO
2	0D316	Yes	10	6412019508	DIODE--DAN217 SMD3 T146---ROH	EA 1	NO

LITE-ON TECHONLOG COR

XXBOMR1001

BOM LIST BY CKT-ID

Block Number:5113300028 Desc:INTERFACE BD-H15AAR(9)--U-4-(C)-ACER Plan_Level:

Category From: Approve:Both Report Date:29-APR-2002 15:19

To: Org:RD Page: 4 OF 6

Lvl	CKTID	G1	Apr	OP	Item No	Description	Drqwing No	Uom	Quantity	SFty
2	0D317	Yes	10	6412019508	DIODE--DAN217 SMD3 T146---ROH	EA 1	NO			
2	0D318	Yes	10	6412019508	DIODE--DAN217 SMD3 T146---ROH	EA 1	NO			
2	0D320	YES	10	6413040038	DIODE-SCHOTTKY-RB751V-40-ROHM-	EA 1	NO			
2	0I300	Yes	10	6447000406	IC-ASIC-MASCOT II CONTROLLER-1	EA 1	NO			
2	0I301	Yes	10	6447000506	IC-ASIC-VITESSE2-100P-QFP-MRT	EA 1.00000	NO			
2	0I302	Yes	10	6444006108	IC-MOS-M51953AFP-8P-SOP-	EA 1	NO			
2	0I304	YES	10	6448016508	IC-EEPROM-24LC16B/SN-8P-SOP	EA 1	NO			
2	0I305	Yes	10	6448018208	IC-24LC02B-8PIN-SOP-MICROCHIP	EA 1	NO			
2	0I306	Yes	10	6446006218	IC-TTL-74LVC14-14P-TSSOP-TI	EA 1.00000	NO			
2	0I307	Yes	10	6442001978	IC-Linear-LM358DR-8P-SOP-TI	EA 1.00000	NO			
2	0I308	Yes	10	6442023326	IC-Linear-AIC1084-33CM-3P-TO26	EA 1.00000	NO			
2	0I309	Yes	10	6442018028	IC-LINEAR-AIC1722-33CX-3.3V-SO	EA 1	NO			
2	0I310	YES	10	6446008108	IC-TTL-NC7SZ04M5X-5P--FAIRCHIL	EA 1	NO			
2	0P303	Yes	10	6640450030	CONNECTOR-FFC-45P-0.5mm-GF056-	EA 1	NO			
2	0P303 51	Yes	10	6640045400	CONNECTOR-FPC-45P-0.5mm-XF2H-4	EA 1	NO			
2	0P304	Yes	10	6640300040	CONNECTOR-FFC-30P-0.5mm-GF056-	EA 1	NO			
2	0P304 51	Yes	10	6640030400	CONNECTOR-FPC-30P-0.5mm-XF2H-3	EA 1	NO			
2	0Q300	YES	10	6422007208	TRANSISTOR-NPN-SST2222AT116-T1	EA 1.00000	NO			
2	0Q301	YES	10	6422007208	TRANSISTOR-NPN-SST2222AT116-T1	EA 1.00000	NO			
2	0Q302	Yes	10	6427002508	FET-P-CHNL-SI2305DS-T1-VISHAY	EA 1	NO			
2	0Q303	Yes	10	6422007308	TRANSISTOR-NPN-SST3904T116-T11	EA 1.00000	NO			
2	0R001	Yes	10	6252000056	RES. CHIP-R-OHM-0-1/10W-J-0603	EA 1	NO			
2	0R003	Yes	10	6252180346	RES. CHIP-R-KOHM-180-1/10W-F-S	EA 1	NO			

2	0R004	Yes	10	6252300356	RES. CHIP-R-KOHM-300-1/10W-J-S	EA 1	NO
2	0R040	Yes	10	6252100146	RES. CHIP-R-KOHM-1-1/10W-F-603	EA 1	NO
2	0R041	Yes	10	6252100146	RES. CHIP-R-KOHM-1-1/10W-F-603	EA 1	NO
2	0R042	Yes	10	6252470246	RES. CHIP-R-KOHM-47-1/10W-F-SM	EA 1	NO
2	0R043	Yes	10	6252470246	RES. CHIP-R-KOHM-47-1/10W-F-SM	EA 1	NO
2	0R045	Yes	10	6252100256	RES. CHIP-R-KOHM-10-1/10W-J-06	EA 1	NO
2	0R046	Yes	10	6252000056	RES. CHIP-R-OHM-0-1/10W-J-0603	EA 1	NO
2	0R303	Yes	10	6252100256	RES. CHIP-R-KOHM-10-1/10W-J-06	EA 1.00000	NO
2	0R304	Yes	10	6252100256	RES. CHIP-R-KOHM-10-1/10W-J-06	EA 1.00000	NO
2	0R305	Yes	10	6252100256	RES. CHIP-R-KOHM-10-1/10W-J-06	EA 1.00000	NO
2	0R306	Yes	10	6252510046	RES. CHIP-R-OHM-510-1/10W-F-06	EA 1.00000	NO
2	0R307	YES	10	6252100456	RES. CHIP-R-MOHM-1-1/10W-J-603	EA 1.00000	NO
2	0R308	Yes	10	6252330956	RES. CHIP-R-OHM-33-1/10W-J-060	EA 1.00000	NO
2	0R309	Yes	10	6252330956	RES. CHIP-R-OHM-33-1/10W-J-060	EA 1.00000	NO
2	0R310	Yes	10	6252220156	RES. CHIP-R-KOHM-2.2-1/10W-J-0	EA 1.00000	NO
2	0R311	Yes	10	6252330956	RES. CHIP-R-OHM-33-1/10W-J-060	EA 1.00000	NO
2	0R312	Yes	10	6252330956	RES. CHIP-R-OHM-33-1/10W-J-060	EA 1.00000	NO
2	0R313	YES	10	6252100456	RES. CHIP-R-MOHM-1-1/10W-J-603	EA 1	NO
2	0R314	Yes	10	6252220156	RES. CHIP-R-KOHM-2.2-1/10W-J-0	EA 1	NO
2	0R315	Yes	10	6252220156	RES. CHIP-R-KOHM-2.2-1/10W-J-0	EA 1	NO
2	0R318	Yes	10	6252470156	RES. CHIP-R-KOHM-4.7-1/10W-J-0	EA 1.00000	NO
2	0R319	Yes	10	6252470156	RES. CHIP-R-KOHM-4.7-1/10W-J-0	EA 1.00000	NO
2	0R323	Yes	10	6252330956	RES. CHIP-R-OHM-33-1/10W-J-060	EA 1.00000	NO
2	0R324	Yes	10	6252330956	RES. CHIP-R-OHM-33-1/10W-J-060	EA 1.00000	NO
2	0R325	Yes	10	6252330956	RES. CHIP-R-OHM-33-1/10W-J-060	EA 1.00000	NO
2	0R326	Yes	10	6252330956	RES. CHIP-R-OHM-33-1/10W-J-060	EA 1.00000	NO
2	0R327	Yes	10	6252470156	RES. CHIP-R-KOHM-4.7-1/10W-J-0	EA 1.00000	NO
2	0R328	Yes	10	6252470156	RES. CHIP-R-KOHM-4.7-1/10W-J-0	EA 1.00000	NO
2	0R329	YES	10	6252680056	RES. CHIP-R-OHM-680-1/10W-J-60	EA 1	NO
2	0R330	YES	10	6252100156	RES. CHIP-R-KOHM-1-1/10W-J-603	EA 1	NO
2	0R331	YES	10	6252680056	RES. CHIP-R-OHM-680-1/10W-J-60	EA 1	NO
2	0R332	YES	10	6252100156	RES. CHIP-R-KOHM-1-1/10W-J-603	EA 1.00000	NO

LITE-ON TECHONLOG COR

XXBOMR1001

BOM LIST BY CKT-ID

Block Number:5113300028 Desc:INTERFACE BD-H15AAR(9)--U-4-(C)-ACER Plan_Level:

Category From:

Approve:Both

Report Date:29-APR-2002 15:19

To:

Org:RD

Page: 5 OF 6

Lvl	CKTID	G1	Apr	OP	Item No	Description	Drqwing No	Uom	Quantity	SFty
2	0R334	YES	10		6252470256	RES. CHIP-R-KOHM-47-1/10W-J-60		EA	1.00000	NO
2	0R335	YES	10		6252470256	RES. CHIP-R-KOHM-47-1/10W-J-60		EA	1.00000	NO
2	0R337	Yes	10		6252470956	RES. CHIP-R-OHM-47-1/10W-J-060		EA	1.00000	NO
2	0R338	Yes	10		6252470956	RES. CHIP-R-OHM-47-1/10W-J-060		EA	1.00000	NO
2	0R339	Yes	10		6252750956	RES. CHIP-R-OHM-75-1/10W-J-060		EA	1.00000	NO
2	0R340	Yes	10		6252750956	RES. CHIP-R-OHM-75-1/10W-J-060		EA	1.00000	NO
2	0R341	Yes	10		6252750956	RES. CHIP-R-OHM-75-1/10W-J-060		EA	1.00000	NO
2	0R342	Yes	10		6252100256	RES. CHIP-R-KOHM-10-1/10W-J-06		EA	1.00000	NO
2	0R343	Yes	10		6252100056	RES. CHIP-R-OHM-100-1/10W-J-06		EA	1.00000	NO
2	0R346	YES	10		6373410486	CAP. MC-uF-0.1-25V-Z-Y5V-SMD-0		EA	1	NO
2	0R347	Yes	10		6252150056	RES. CHIP-R-OHM-150-1/10W-J-06		EA	1	NO
2	0R348	Yes	10		6252100056	RES. CHIP-R-OHM-100-1/10W-J-06		EA	1.00000	NO
2	0R349	Yes	10		6252470156	RES. CHIP-R-KOHM-4.7-1/10W-J-0		EA	1.00000	NO
2	0R350	YES	10		6252330156	RES. CHIP-R-KOHM-3.3-1/10W-J-6		EA	1.00000	NO
2	0R351	Yes	10		6252330956	RES. CHIP-R-OHM-33-1/10W-J-060		EA	1.00000	NO

2	0R352	Yes	10	6252330956	RES. CHIP-R-OHM-33-1/10W-J-060	EA	1.00000	NO
2	0R353	Yes	10	6252015056	RES. CHIP-R-OHM-15-1/10W-J-SMD	EA	1	NO
2	0R354	Yes	10	6252015056	RES. CHIP-R-OHM-15-1/10W-J-SMD	EA	1	NO
2	0R355	Yes	10	6252330956	RES. CHIP-R-OHM-33-1/10W-J-060	EA	1.00000	NO
2	0R356	Yes	10	6252100356	RES. CHIP-R-KOHM-100-1/10W-J-0	EA	1.00000	NO
2	0R357	Yes	10	6252100356	RES. CHIP-R-KOHM-100-1/10W-J-0	EA	1.00000	NO
2	0R358	Yes	10	6252100356	RES. CHIP-R-KOHM-100-1/10W-J-0	EA	1.00000	NO
2	0R359	Yes	10	6252100056	RES. CHIP-R-OHM-100-1/10W-J-06	EA	1.00000	NO
2	0R360	Yes	10	6252100056	RES. CHIP-R-OHM-100-1/10W-J-06	EA	1.00000	NO
2	0R361	Yes	10	6252000056	RES. CHIP-R-OHM-0-1/10W-J-0603	EA	1	NO
2	0R362	Yes	10	6252015056	RES. CHIP-R-OHM-15-1/10W-J-SMD	EA	1	NO
2	0R363	YES	10	6252470256	RES. CHIP-R-KOHM-47-1/10W-J-60	EA	1.00000	NO
2	0R364	YES	10	6252470256	RES. CHIP-R-KOHM-47-1/10W-J-60	EA	1.00000	NO
2	0R365	Yes	10	6252000056	RES. CHIP-R-OHM-0-1/10W-J-0603	EA	1	NO
2	0R366	Yes	10	6252100256	RES. CHIP-R-KOHM-10-1/10W-J-06	EA	1	NO
2	0R367	Yes	10	6252470956	RES. CHIP-R-OHM-47-1/10W-J-060	EA	1	NO
2	0R368	Yes	10	6252150056	RES. CHIP-R-OHM-150-1/10W-J-06	EA	1	NO
2	0R369	Yes	10	6252470956	RES. CHIP-R-OHM-47-1/10W-J-060	EA	1	NO
2	0R370	Yes	10	6252470956	RES. CHIP-R-OHM-47-1/10W-J-060	EA	1	NO
2	0R371	YES	10	6252100156	RES. CHIP-R-KOHM-1-1/10W-J-603	EA	1	NO
2	9N031	No	10	1320001001	OIL HOUSE-CLEANSER FOR SMT-CHU	GL	.0028	NO
2	CM301	YES	10	6373410486	CAP. MC-uF-0.1-25V-Z-Y5V-SMD-0	EA	1	NO
2	CM302	YES	10	6373410486	CAP. MC-uF-0.1-25V-Z-Y5V-SMD-0	EA	1	NO
2	CM303	YES	10	6373410486	CAP. MC-uF-0.1-25V-Z-Y5V-SMD-0	EA	1	NO
2	CM304	YES	10	6373410486	CAP. MC-uF-0.1-25V-Z-Y5V-SMD-0	EA	1	NO
2	CM305	YES	10	6373410486	CAP. MC-uF-0.1-25V-Z-Y5V-SMD-0	EA	1	NO
2	CM306	YES	10	6373410486	CAP. MC-uF-0.1-25V-Z-Y5V-SMD-0	EA	1	NO
2	FB301	Yes	10	6881100406	CORE-BEAD-WB201209B300QS--WLSN	EA	1.00000	NO
2	FB302	Yes	10	6881101108	CORE-BEAD-WB201209F050QST--WLS	EA	1.00000	NO
2	FB303	Yes	10	6881101108	CORE-BEAD-WB201209F050QST--WLS	EA	1.00000	NO
2	FB304	Yes	10	6881101108	CORE-BEAD-WB201209F050QST--WLS	EA	1.00000	NO
2	FB305	Yes	10	6881601578	CORE-BEAD-SBK160808T-300Y-S--C	EA	1	NO
2	FB306	Yes	10	6881601578	CORE-BEAD-SBK160808T-300Y-S--C	EA	1	NO
2	FB307	Yes	10	6881601578	CORE-BEAD-SBK160808T-300Y-S--C	EA	1	NO
2	FB308	YES	10	6881101928	CORE-BEAD-WB201209B401QNT WLSN	EA	1.00000	NO
2	FB309	YES	10	6881101928	CORE-BEAD-WB201209B401QNT WLSN	EA	1.00000	NO
2	FB311	Yes	10	6881100406	CORE-BEAD-WB201209B300QS--WLSN	EA	1	NO
2	FB312	Yes	10	6881100406	CORE-BEAD-WB201209B300QS--WLSN	EA	1.00000	NO
2	FB313	Yes	10	6881100406	CORE-BEAD-WB201209B300QS--WLSN	EA	1.00000	NO
2	FB314	Yes	10	6881102068	CORE-BEAD-FCM2012 C-501T03-SMD	EA	1	NO

LITE-ON TECHONLOG COR

XXBOMR1001

BOM LIST BY CKT-ID

Block Number:5113300028 Desc:INTERFACE BD-H15AAR(9)--U-4-(C)-ACER Plan_Level:
Category From: Approve:Both Report Date:29-APR-2002 15:19
To: Org:RD Page: 6 OF 6

Lvl	CKTID	G1	Apr	OP	Item No	Description	Drqwing	No Uom	Quantity	SFty
2	FB315	Yes	10		6881102068	CORE-BEAD-FCM2012 C-501T03-SMD	EA	1		NO
2	FB316	Yes	10		6881100406	CORE-BEAD-WB201209B300QS--WLSN	EA	1.00000		NO
2	FB317	Yes	10		6881100406	CORE-BEAD-WB201209B300QS--WLSN	EA	1.00000		NO
2	FB318	Yes	10		6881100406	CORE-BEAD-WB201209B300QS--WLSN	EA	1.00000		NO
2	FB319	Yes	10		6881100406	CORE-BEAD-WB201209B300QS--WLSN	EA	1.00000		NO
2	FB320	Yes	10		6881100406	CORE-BEAD-WB201209B300QS--WLSN	EA	1.00000		NO
2	FB321	Yes	10		6881100406	CORE-BEAD-WB201209B300QS--WLSN	EA	1.00000		NO

2	FB322	Yes	10	6881100406	CORE-BEAD-WB201209B300QS--WLSN	EA	1.00000	NO
2	FB323	Yes	10	6881100406	CORE-BEAD-WB201209B300QS--WLSN	EA	1.00000	NO
2	FB324	Yes	10	6881100406	CORE-BEAD-WB201209B300QS--WLSN	EA	1.00000	NO
2	FB325	Yes	10	6881100406	CORE-BEAD-WB201209B300QS--WLSN	EA	1.00000	NO
2	FB326	Yes	10	6881100406	CORE-BEAD-WB201209B300QS--WLSN	EA	1.00000	NO
2	FB328	YES	10	6881601378	CORE-BEAD-SBK160808T-600Y-S--C	EA	1	NO
2	FB329	YES	10	6881601378	CORE-BEAD-SBK160808T-600Y-S--C	EA	1	NO
2	FB330	YES	10	6881601378	CORE-BEAD-SBK160808T-600Y-S--C	EA	1	NO
2	I303B	Yes	10	6626440020	SOCKET-IC-8111-44TAB2-44P-PLCC	EA	1.00000	NO
2	RP300	YES	10	6263302818	RES. FRN-OHM-33-1/16W-J	EA	1.00000	NO
2	RP301	YES	10	6263302818	RES. FRN-OHM-33-1/16W-J	EA	1.00000	NO
2	RP302	YES	10	6263302818	RES. FRN-OHM-33-1/16W-J	EA	1.00000	NO
2	RP303	YES	10	6263302818	RES. FRN-OHM-33-1/16W-J	EA	1.00000	NO
2	RP304	YES	10	6263302818	RES. FRN-OHM-33-1/16W-J	EA	1.00000	NO
2	RP305	YES	10	6263302818	RES. FRN-OHM-33-1/16W-J	EA	1.00000	NO
2	RP306	Yes	10	6881200708	CORE-BEAD-FCA3216M4-221T02-BEA	EA	1.00000	NO
2	RP307	Yes	10	6881200708	CORE-BEAD-FCA3216M4-221T02-BEA	EA	1.00000	NO
2	RP308	Yes	10	6881200708	CORE-BEAD-FCA3216M4-221T02-BEA	EA	1.00000	NO
2	RP309	Yes	10	6881200708	CORE-BEAD-FCA3216M4-221T02-BEA	EA	1.00000	NO
2	RP310	Yes	10	6881200708	CORE-BEAD-FCA3216M4-221T02-BEA	EA	1.00000	NO
2	RP311	Yes	10	6881200708	CORE-BEAD-FCA3216M4-221T02-BEA	EA	1.00000	NO
2	RP312	Yes	10	6881200708	CORE-BEAD-FCA3216M4-221T02-BEA	EA	1.00000	NO
2	RP313	Yes	10	6881200708	CORE-BEAD-FCA3216M4-221T02-BEA	EA	1.00000	NO
2	RP314	Yes	10	6881200708	CORE-BEAD-FCA3216M4-221T02-BEA	EA	1.00000	NO
2	RP315	Yes	10	6881200708	CORE-BEAD-FCA3216M4-221T02-BEA	EA	1.00000	NO
2	RP316	Yes	10	6881200708	CORE-BEAD-FCA3216M4-221T02-BEA	EA	1.00000	NO
2	RP317	Yes	10	6881200708	CORE-BEAD-FCA3216M4-221T02-BEA	EA	1.00000	NO
2	RP318	Yes	10	6261032818	RES. FRN-KOHM-10-1/16W-J	EA	1.00000	NO
2	RP319	Yes	10	6264702818	RES. FRN-OHM-47-1/16W-J	EA	1	NO
2	RP320	Yes	10	6264702818	RES. FRN-OHM-47-1/16W-J	EA	1	NO
2	U1238	No	10	6832123800-02	PCB-INTERFACE BD-PTB-1238-REV.	EA	1	YES

LITE-ON TECHONLOG CORP

XXBOMR1001

BOM LIST BY CKT-ID

Block Number:5113800008 Desc:FUNCTION KEY BD-H15AAR(9)-=-U-4-(C)-ACER Plan_Level:

Category From:

Approve:Both

Report Date:29-APR-2002 15:18

To:

Org:RD

Page: 1 OF 1

Lvl	CKTID	G1	Apr	OP	Item No	Description	Drqwing No	Uom	Quantity	SFty
1	0D600	Yes	10		6418004703	LED-LTL-58EDJ-YELLOW/GREEN-BUL		EA	1	NO
1	0GND1	Yes	10		6714010551-31	HARNESS--1P-44mm-BD144+HSTUB--		EA	1.00000	NO
1	0P601	Yes	10		6613080020	PLUG-8P-2.0mm-A2001WR2-08-JWT		EA	1.00000	NO
1	0S601	YES	10		6853001100	SWITCH-TACT-SKHHAK2510-UE-BLK-		EA	1	YES
1	0S602	YES	10		6853001100	SWITCH-TACT-SKHHAK2510-UE-BLK-		EA	1	YES
1	0S603	YES	10		6853001100	SWITCH-TACT-SKHHAK2510-UE-BLK-		EA	1	YES
1	0S604	YES	10		6853001100	SWITCH-TACT-SKHHAK2510-UE-BLK-		EA	1	YES
1	0S605	YES	10		6853001100	SWITCH-TACT-SKHHAK2510-UE-BLK-		EA	1	YES
1	9N005	No	10		1250000100	OIL HOUSE-SOLDER BAR ADEPTO S6		I	.004	NO
1	9N010	No	10		1250000130	WIRE-SOLDER-ADEPO S60A--		kg	.00001	NO
1	9N015	No	10		1250000143	WIRE-SOLDER-SUPER--		EA	.0004	NO
1	9N025	No	10		1250000221	FLUX-RF800T3-LONCO		GL	.002	NO
1	9N030	No	10		1250000321	OIL HOUSE-THINNER LONCO RF800A		GL	.0005	NO
1	9N066	No	10		1250200223	OIL HOUSE-PREVENTOR 500--		EA	.00005	NO
1	9N080	Yes	10		1240000423	TAPE--50Mx508mmx0055mm-PCK-		RL	.000054	NO
1	00000	No	10		5713800008	AI-FUNCTION KEY BD-H15AAR(9)-=		EA	1	NO
2	0C601	Yes	10		6341410485	CAP. MC-uF-0.1-50V-Z-Y5V-T-RD2		EA	1.0000000	NO
2	0C602	Yes	10		6341410485	CAP. MC-uF-0.1-50V-Z-Y5V-T-RD2		EA	1.0000000	NO
2	0C603	Yes	10		6341410485	CAP. MC-uF-0.1-50V-Z-Y5V-T-RD2		EA	1.0000000	NO
2	0C604	Yes	10		6341410485	CAP. MC-uF-0.1-50V-Z-Y5V-T-RD2		EA	1.0000000	NO
2	0C605	Yes	10		6341410485	CAP. MC-uF-0.1-50V-Z-Y5V-T-RD2		EA	1.0000000	NO
2	U1246	No	10		6832124600-01	PCB-FUNCTION KEY BD-PTB-1246-R		EA	1.0000000	YES

LITE-ON TECHONLOG CORP

XXBOMR1001

BOM LIST BY CKT-ID

Block Number:5114300006 Desc:CONTROL BD-POWER BD-H15AAU(9)--E-1-(K)- Plan_Level:

Category From:

Approve:Both

Report Date:29-APR-2002 15:19

To:

Org:RD

Page: 1 OF 2

Lvl	CKTID	G1	Apr	OP	Item No	Description	Drqwing No	Uom	Quantity	Sfty
1	02U04	Yes	10	1241000200	LABEL-DATE CODE-----	8340000485	EA	1	NO	
1	0C801	Yes	10	6328833419	CAP. X2-MPP-uF-0.33-275V-K--P=		EA	1	YES	
1	0C802	Yes	10	6328810419	CAP. X2-MEF-uF-0.1-275V-K--P=1		EA	1	YES	
1	0C803	YES	10	6302122292	CAP. CD-pF-2200-250V-M-F-7.5-Y		EA	1	YES	
1	0C803	51	Yes	10	6302122272	CAP. CD-pF-2200-250V-M-F-7.5-Y		EA	1	YES
1	0C804	YES	10	6302122292	CAP. CD-pF-2200-250V-M-F-7.5-Y		EA	1	YES	
1	0C804	51	Yes	10	6302122272	CAP. CD-pF-2200-250V-M-F-7.5-Y		EA	1	YES
1	0C805	Yes	10	6312610149	CAP. ALU-uF-100-400V-F-105C-18		EA	1	NO	
1	0C828	YES	10	6302410262	CAP. CD-pF-1000-250V-M-F-P=10-		EA	1	YES	
1	0C828	51	Yes	10	6302410242	CAP. CD-pF-1000-250V-M-F-10-SY		EA	1	YES
1	0D801	YES	10	6417001400	DIODE-BRIDGE-KBP205G-2A/600V--		EA	1	NO	
1	0D809	Yes	10	6412020007	DIODE--SF34-3A/200V-T52--TSC		EA	1	NO	
1	0D810	YES	10	6412015817	DIODE-SWITCHING-SB360-3A/60V-T		EA	1	NO	
1	0F801	Yes	10	6851031550	FUSE-TIME LAG-3.15A/250V---LIT		EA	1	YES	
1	0G801	Yes	10	7748000190-0A	GROUNDING-CONNECTOR-MTS-C150AT	8440003377	EA	1	NO	
1	0I801	Yes	10	6442022010	IC-Linear-KA3842AE-S-8P-PDIP-F		EA	1	NO	
1	0I802	Yes	10	6442014000	IC-Linear-LTV-817D-4P-PDIP-LIT		EA	1	YES	
1	0L802	Yes	10	6111336131	COIL CHOKE--uH-33-K-DRWW10x10L		EA	1	NO	
1	0P802	YES	10	6711100140-00	HARNESS-10P-70mm-2.0 1007#26-3		EA	1	NO	
1	0P803	YES	10	6711060400-00	HARNESS-6P-2.0-100mm-1007#26--		EA	1	NO	
1	0Q803	YES	10	6426008700	FET-N-CHNL-SSS4N60AS-2.3A/600V		EA	1	NO	
1	0R802	Yes	10	6201080012	THERMISTOR-OHM-8-3A-P=5-SCK-08		EA	1	YES	
1	0R803	Yes	10	6221210452	RES. MOF-KOHM-100-2W-J-HOR-		EA	1	NO	
1	0R805	Yes	10	6221210452	RES. MOF-KOHM-100-2W-J-HOR-		EA	1	NO	
1	0R806	Yes	10	6221333352	RES. MOF-KOHM-33-3W-J-HOR-		EA	1	NO	
1	0R811	Yes	10	6221112952	RES. MOF-OHM-1.2-1W-J-HOR-		EA	1	NO	
1	0R833	Yes	10	6221112252	RES. MOF-KOHM-1.2-1W-J-HOR-		EA	1	NO	
1	0T801	Yes	10	6138003000	LINE FILTER-TLF-1030-mH-10.5-E		EA	1	YES	
1	0T802	Yes	10	6131052300	XFRMER-POWER-TPW-1085-ER-28S-L		EA	1	YES	
1	9N005	No	10	1250000130	WIRE-SOLDER-ADEPO S60A--		kg	.0007	NO	
1	9N015	No	10	1250000141	WIRE-SOLDER-12M/M--		kg	.00075	NO	
1	9N020	No	10	1250000321	OIL HOUSE-THINNER LONCO RF800A		GL	.003	NO	
1	9N025	No	10	1250000221	FLUX-RF800T3-LONCO		GL	.003	NO	
1	9N050	No	10	1250000100	OIL HOUSE-SOLDER BAR ADEPTO S6		I	.003	NO	
1	9N066	No	10	1241000011	TAPE-PACKING-FILM STRETCH WRAP		RL	.00006	NO	
1	9N080	Yes	10	1240000423	TAPE--50Mx508mmx0055mm-PCK-		RL	.0002	NO	
1	9N081	Yes	10	6875000101	ADHESIVE-HOT MELT-11.3X300mm 1		Ib	.004	NO	
1	9N081	51	Yes	10	6875000400	ADHESIVE-HOT MELT-521 UL94V-0-		EA	.004	YES
1	F801A	Yes	10	6622050010	FUSE CLIP-FC-04 for D=5mm FUSE		EA	2	NO	
1	I008N	Yes	10	7150130081-0A	SCREW-BTYPE--Round-M3-8-Zn	8440003300	EA	1	NO	
1	P801A	Yes	10	6714030060-00	HARNESS--3P-200mm-1015#18(G/Y)		EA	1.00000	NO	
1	Q803C	No	10	1250000520	HEAT SINK-COMPOUND---		kg	.00005	NO	
1	Q803K	No	10	1250000415	OIL HOUSE-VA-450 SCREW LOCKING		kg	.00002	NO	
1	Q803M	Yes	10	7746402560-0A	HEAT SINK-POWER BD---		EA	1	NO	
1	VR801	Yes	10	6245102003	VARIABLE-KOHM-1-0.3W-TA--6D--		EA	1	NO	
1	00000	No	10	5714300006	AI-POWER BD-H15AAU(9)--E-1-(K		EA	1.00000	NO	
2	0C806	Yes	30	6336510305	CAP. CD-uF-0.01-1000V-M-T--Z5U		EA	1	NO	

2	0C807	Yes	30	6311347045	ALUMINATOR-UF-47-25V-T-105C-5*	EA	1	NO
2	0C809	Yes	10	6338522115	CAP. CD-pF-220-1000V-K-T--X7R-	EA	1	NO
2	0C810	Yes	30	6338110485	CAP. CD-UF-0.1-50V-Z-T--Y5V-	EA	1	NO
2	0C811	Yes	30	6335110215	CAP. CD-PF-1000-50V-K-T--Y5P-	EA	1	NO
2	0C812	Yes	30	6338110485	CAP. CD-UF-0.1-50V-Z-T--Y5V-	EA	1	NO
2	0C813	Yes	30	6335110315	CAP. CD-UF-0.01-50V-K-T--Y5P-	EA	1	NO
2	0C814	Yes	30	6311510045	ALUMINATOR-uF-10-50V-T-105C-5x	EA	1	NO
2	0C815	Yes	30	6356110455	CAP. MEM-uF-0.1-50V-J-T--MATSU	EA	1	NO

LITE-ON TECHONLOG COR

XXBOMR1001

BOM LIST BY CKT-ID

Block Number:5114300006 Desc:CONTROL BD-POWER BD-H15AAU(9)--E-1-(K)- Plan_Level:

Category From:

Approve:Both

Report Date:29-APR-2002 15:19

To:

Org:RD

Page: 2 OF 2

Lvl	CKTID	G1	Apr	OP	Item No	Description	Drqwing No	Uom	Quantity	SFty	
2	0C816	Yes	30	6335110215	CAP. CD-PF-1000-50V-K-T--Y5P-			EA	1	NO	
2	0C817	Yes	30	6311347145	ALUMINATOR-uF-470-25V-T-105C-1			EA	1	NO	
2	0C818	Yes	30	6311347145	ALUMINATOR-uF-470-25V-T-105C-1			EA	1	NO	
2	0C820	Yes	30	6338110485	CAP. CD-UF-0.1-50V-Z-T--Y5V-			EA	1	NO	
2	0C821	Yes	30	6335110215	CAP. CD-PF-1000-50V-K-T--Y5P-			EA	1	NO	
2	0C822	Yes	30	6311347195	CAP. ALU-uF-470-25V-T-105C-10X			EA	1	NO	
2	0C824	Yes	10	6311210245	ALUMINATOR-uF-1000-16V-T-105C-			EA	1	NO	
2	0C826	Yes	30	6338110485	CAP. CD-UF-0.1-50V-Z-T--Y5V-			EA	1	NO	
2	0C827	Yes	30	6356110455	CAP. MEM-uF-0.1-50V-J-T--MATSU			EA	1	NO	
2	0C831	Yes	30	6311322045	ALUMINATOR-uF-22-25V-T-105C-5x			EA	1	NO	
2	0D803	Yes	20	6412007927	DIODE--FUF4006AMP-1A/800V-T52-			EA	1	NO	
2	0D804	Yes	20	6412012317	DIODE--FUF4005AMP-1A/600V-T52-			EA	1	NO	
2	0D806	Yes	20	6412001707	DIODE-SWITCHING-1N4148 T-72--T			EA	1	NO	
2	0I803	Yes	30	6442001345	IC-LINEAR-KA431AZTA-3PIN-TO-92			EA	1	NO	
2	0J801	Yes	10	6700060000	JUMPER WIRE-		kg .00009			NO	
2	0Q806	Yes	30	6423000045	TRANSISTOR-PNP-2SA733P-T-TAPIN			EA	1	NO	
2	0Q806	51	Yes	30	6423000205	TRANSISTOR-PNP-KSA733C-G-TA--F			EA	1	NO
2	0R801	YES	10	6221147457	RES. MOF-KOHM-470-1W-J-AT52-			EA	1	NO	
2	0R807	Yes	20	6212147954	RES. CF-OHM-4.7-1/4W-J-T26-MIN			EA	1	NO	
2	0R808	Yes	20	6212151354	RES. CF-KOHM-51-1/4W-J-T26-MIN			EA	1	NO	
2	0R810	Yes	20	6212139254	RES. CF-KOHM-3.9-1/4W-J-T26-MI			EA	1	NO	
2	0R812	Yes	20	6212120354	RES. CF-KOHM-20-1/4W-J-T26-MIN			EA	1	NO	
2	0R813	Yes	20	6212122157	RES. CF-OHM-220-1/4W-J-T52-MIN			EA	1	NO	
2	0R814	Yes	20	6212147054	RES. CF-OHM-47-1/4W-J-T26-MINI			EA	1	NO	
2	0R815	Yes	20	6212110257	RES. CF-KOHM-1-1/4W-J-T52-MINI			EA	1	NO	
2	0R817	Yes	20	6212147254	RES. CF-KOHM-4.7-1/4W-J-T26-MI			EA	1	NO	
2	0R818	Yes	20	6212151354	RES. CF-KOHM-51-1/4W-J-T26-MIN			EA	1	NO	
2	0R819	Yes	20	6212151254	RES. CF-KOHM-5.1-1/4W-J-T26-MI			EA	1	NO	
2	0R820	Yes	20	6212110254	RES. CF-KOHM-1-1/4W-J-T26-MINI			EA	1	NO	
2	0R823	Yes	20	6212127154	RES. CF-OHM-270-1/4W-J-T26-MIN			EA	1	NO	
2	0R824	Yes	20	6212127254	RES. CF-KOHM-2.7-1/4W-J-T26-MI			EA	1	NO	
2	0R825	Yes	20	6212110354	RES. CF-KOHM-10-1/4W-J-T26-MIN			EA	1	NO	
2	0R826	Yes	20	6212110254	RES. CF-KOHM-1-1/4W-J-T26-MINI			EA	1	NO	
2	0R827	Yes	20	6212120254	RES. CF-KOHM-2-1/4W-J-T26-MINI			EA	1	NO	
2	0R832	Yes	20	6212151254	RES. CF-KOHM-5.1-1/4W-J-T26-MI			EA	1	NO	
2	U1218	No	10	6832121800-03	PCB-POWER BD-PTB-1218-03		8812180000	EA	1	YES	
2	ZD801	YES	20	6414180074	DIODE-ZENER-GDZJ18B-T/B--T26--			EA	1	NO	

LITE-ON TECHONLOG CORP

XXBOMR1001

BOM LIST BY CKT-ID

Block Number:5114100024 Desc:CONTROL BD-AUDIO JACK BD-H15AAU(9)-=-E-1 Plan_Level:

Category From:

Approve:Both

Report Date:29-APR-2002 15:19

To:

Org:RD

Page: 1 OF 1

Lvl	CKTID	G1	Apr	OP	Item No	Description	Drqwing No	Uom	Quantity	SFty
1	02U01	Yes	10	10	1241000200	LABEL-DATE CODE-----	8340000485	EA	1	NO
1	0P001	YES	10	10	6613030020	PLUG-03P-2.0mm-JWT-A2001WV2-03		EA	1.00000	NO
1	9N010	No	10	10	1250000130	WIRE-SOLDER-ADEPO S60A--		kg	.00001	NO
1	9N020	No	10	10	1250000141	WIRE-SOLDER-12M/M--		kg	.00003	NO
1	9N025	No	10	10	1250000221	FLUX-RF800T3-LONCO		GL	.003	NO
1	9N030	No	10	10	1250000321	OIL HOUSE-THINNER LONCO RF800A		GL	.0005	NO
1	9N050	No	10	10	1250000100	OIL HOUSE-SOLDER BAR ADEPTO S6		I	.002	NO
1	JK011	Yes	10	10	6627002000	JACK-PHONE---MSJ-035-12D PC BL		EA	1.00000	NO
1	U1234	No	10	10	6832123400-01	PCB-AUDIO JACK BD-PTB-1234-01		EA	1	YES

LITE-ON TECHNOLOG CORP

XXBOMR1001

BOM LIST BY CKT-ID

Block Number:5113200002 Desc:INVERTER BD-GC150AT(99)-#-E-1-(K)-LITEON Plan_Level:

Category From:

Approve:Both

Report Date:29-APR-2002 15:21

To:

Org:RD

Page: 1 OF 2

Lvl	CKTID	G1	Apr	OP	Item No	Description	Drqwing No	Uom	Quantity	SFty
1	0C101	Yes	10		6311322141	CAP. ALU-uF-220-25V-LL-105C-8x		EA	1	NO
1	9N050	Yes	10		1250000144	WIRE-SOLDER-06m/m--		lb	.00001	NO
1	00000	No	10		5213200002	SMT-INVERTER BD-GC150ATA(99)-#		EA	1	NO
2	02U01	No	10		1241000205	LABEL-ID DATE CODE-----		EA	1	NO
2	0C102	YES	10		6374422582	CAP. MC-uF-2.2-16V-Z-Y5V-SMD 0		EA	1	NO
2	0C103	Yes	10		6374410502	CAP. MC-uF-1-16V-M-Y5V-SMD 080		EA	1	NO
2	0C104	YES	10		6373422406	CAP. MC-uF-0.22-25V-M-Y5V-SMD		EA	1	NO
2	0C105	YES	10		6373410406	CAP. MC-uF-0.1-25V-M-Y5V-SMD 0		EA	1	NO
2	0C106	YES	10		6371215206	CAP. MC-pF-1500-50V-M-X7R-SMD		EA	1	NO
2	0C107	YES	10		6371410306	CAP. MC-uF-0.01-50V-M-Y5V-SMD		EA	1	NO
2	0C108	YES	10		6371410306	CAP. MC-uF-0.01-50V-M-Y5V-SMD		EA	1	NO
2	0C109	YES	10		6371410306	CAP. MC-uF-0.01-50V-M-Y5V-SMD		EA	1	NO
2	0C110	YES	10		6373422406	CAP. MC-uF-0.22-25V-M-Y5V-SMD		EA	1	NO
2	0C111	YES	10		6373422406	CAP. MC-uF-0.22-25V-M-Y5V-SMD		EA	1	NO
2	0C113	YES	10		6373247306	CAP. MC-uF-0.047-25V-M-X7R-SMD		EA	1	NO
2	0C114	YES	10		6373410406	CAP. MC-uF-0.1-25V-M-Y5V-SMD 0		EA	1	NO
2	0C115	YES	10		6374122156	CAP. MC-pF-220-16V-J-NPO-SMD 0		EA	1	NO
2	0C116	YES	10		6371410306	CAP. MC-uF-0.01-50V-M-Y5V-SMD		EA	1	NO
2	0C117	YES	10		6373247306	CAP. MC-uF-0.047-25V-M-X7R-SMD		EA	1	NO
2	0C118	YES	10		6373410406	CAP. MC-uF-0.1-25V-M-Y5V-SMD 0		EA	1	NO
2	0C119	YES	10		6371218312	CAP. MC-uF-0.018-50V-K-X7R-SMD		EA	1	NO
2	0C121	Yes	10		6370112059-02	CAP. MC-pF-12-3KV-J-NPO-SMD-18		EA	1	NO
2	0C121	51 YES	10		6370112059	CAP. MC-pF-12-3KV-J-NPO-SMD 18		EA	1	NO
2	0C122	YES	10		6371218312	CAP. MC-uF-0.018-50V-K-X7R-SMD		EA	1	NO
2	0C123	No	10		6375410683-01	CAP. MC-uF-10-10V-Z-Y5V-SMD-12		EA	1	NO
2	0C123	51 YES	10		6375410683	CAP. MC-uF-10-10V-Z-Y5V-SMD-12		EA	1	NO
2	0C124	Yes	10		6370112059-02	CAP. MC-pF-12-3KV-J-NPO-SMD-18		EA	1	NO
2	0C124	51 YES	10		6370112059	CAP. MC-pF-12-3KV-J-NPO-SMD 18		EA	1	NO
2	0C125	No	10		6375410683-01	CAP. MC-uF-10-10V-Z-Y5V-SMD-12		EA	1	NO
2	0C125	51 YES	10		6375410683	CAP. MC-uF-10-10V-Z-Y5V-SMD-12		EA	1	NO
2	0C126	Yes	10		6371222212	CAP. MC-pF-2200-50V-K-X7R-SMD		EA	1	NO
2	0C127	Yes	10		6371222212	CAP. MC-pF-2200-50V-K-X7R-SMD		EA	1	NO
2	0D101	YES	10		6414056098	DIODE-ZNR-RLZ TE-11-5.6C-LL-34		EA	1	NO
2	0D102	YES	10		6413040038	DIODE-SCHOTTKY-RB751V-40-ROHM-		EA	1	NO
2	0D103	YES	10		6413040038	DIODE-SCHOTTKY-RB751V-40-ROHM-		EA	1	NO
2	0D104	YES	10		6414075018	DIODE-ZNR-RLZ TE-11 7.5B LL-34		EA	1	NO
2	0D105	Yes	10		6412001738	DIODE--RLS4148 LL-34 SMD----RO		EA	1	NO
2	0D106	Yes	10		6412001738	DIODE--RLS4148 LL-34 SMD----RO		EA	1	NO
2	0D107	YES	10		6413040038	DIODE-SCHOTTKY-RB751V-40-ROHM-		EA	1	NO
2	0D108	Yes	10		6412001738	DIODE--RLS4148 LL-34 SMD----RO		EA	1	NO
2	0D109	Yes	10		6412001738	DIODE--RLS4148 LL-34 SMD----RO		EA	1	NO
2	0D110	Yes	10		6412001738	DIODE--RLS4148 LL-34 SMD----RO		EA	1	NO
2	0F101	Yes	10		6851002000	FUSE-TIME LAG-2A--TR1/6125TD-B		EA	1	YES
2	0I101	Yes	10		6442033118	IC-SI4532DY-8PIN-SMD-FAIRCHILD		EA	1	NO

2	0I101	52	Yes	10	6442033128	IC-LINEAR-IRF7309-8PIN-SOP-I.R	EA	1	NO
2	0I101	51	YES	10	6442033108	IC-Si4532ADY-T1-8P-SMD-VISHAY-	EA	1	NO
2	0I102		Yes	10	6442032808	IC-OZ960S-20P-SSOP-O2-	EA	1	NO
2	0I103		Yes	10	6442033118	IC-SI4532DY-8PIN-SMD-FAIRCHILD	EA	1	NO
2	0I103	52	Yes	10	6442033128	IC-LINEAR-IRF7309-8PIN-SOP-I.R	EA	1	NO
2	0I103	51	YES	10	6442033108	IC-Si4532ADY-T1-8P-SMD-VISHAY-	EA	1	NO
2	0Q101		Yes	10	6422007308	TRANSISTOR-NPN-SST3904T116-T11	EA	1	NO
2	0Q102		YES	10	6426010708	FET-N-CHNL-2N7002-SOT-23-FRCHL	EA	1	NO
2	0Q103		YES	10	6426010708	FET-N-CHNL-2N7002-SOT-23-FRCHL	EA	1	NO
2	0Q104		YES	10	6426010708	FET-N-CHNL-2N7002-SOT-23-FRCHL	EA	1	NO
2	0Q105		YES	10	6426010708	FET-N-CHNL-2N7002-SOT-23-FRCHL	EA	1	NO

LITE-ON TECHONLOG COR

XXBOMR1001

BOM LIST BY CKT-ID

Block Number:5113200002 Desc:INVERTER BD-GC150AT(99)-#-E-1-(K)-LITEON Plan_Level:

Category From:

Approve:Both

Report Date:29-APR-2002 15:21

To:

Org:RD

Page: 2 OF 2

Lvl	CKTID	G1	Apr	OP	Item No	Description	Drqwing No	Uom	Quantity	SFty
2	0Q106		Yes	10	6423000708	TRANSISTOR-PNP-SST3906-T116--		EA	1	NO
2	0R101		YES	10	6252100156	RES. CHIP-R-KOHM-1-1/10W-J-603		EA	1	NO
2	0R102		Yes	10	6252220956	RES. CHIP-R-OHM-22-1/10W-J-060		EA	1	NO
2	0R103		Yes	10	6252220956	RES. CHIP-R-OHM-22-1/10W-J-060		EA	1	NO
2	0R104		YES	10	6252130356	RES. CHIP-R-KOHM-130-1/10W-J-0		EA	1	NO
2	0R105		YES	10	6252270356	RES. CHIP-R-KOHM-270-1/10W-J-0		EA	1	NO
2	0R106		YES	10	6252110356	RES. CHIP-R-KOHM-110-1/10W-J-0		EA	1	NO
2	0R107		Yes	10	6252100356	RES. CHIP-R-KOHM-100-1/10W-J-0		EA	1	NO
2	0R108		YES	10	6252649246	RES. CHIP-R-KOHM-64.9-1/10W-F-		EA	1	NO
2	0R109		YES	10	6252110356	RES. CHIP-R-KOHM-110-1/10W-J-0		EA	1	NO
2	0R110		YES	10	6252100456	RES. CHIP-R-MOHM-1-1/10W-J-603		EA	1	NO
2	0R111		YES	10	6252510356	RES. CHIP-R-KOHM-510-1/10W-J-0		EA	1	NO
2	0R112		YES	10	6252180256	RES. CHIP-R-KOHM-18-1/10W-J-06		EA	1	NO
2	0R113		Yes	10	6252510256	RES. CHIP-R-KOHM-51-1/10W-J-06		EA	1	NO
2	0R114		YES	10	6252100456	RES. CHIP-R-MOHM-1-1/10W-J-603		EA	1	NO
2	0R115		YES	10	6252100456	RES. CHIP-R-MOHM-1-1/10W-J-603		EA	1	NO
2	0R116		Yes	10	6252510256	RES. CHIP-R-KOHM-51-1/10W-J-06		EA	1	NO
2	0R117		Yes	10	6252100256	RES. CHIP-R-KOHM-10-1/10W-J-06		EA	1	NO
2	0R118		Yes	10	6252100256	RES. CHIP-R-KOHM-10-1/10W-J-06		EA	1	NO
2	0R119		Yes	10	6252100256	RES. CHIP-R-KOHM-10-1/10W-J-06		EA	1	NO
2	0R120		YES	10	6252680046	RES. CHIP-R-OHM-680-1/10W-F-06		EA	1	NO
2	0R121		YES	10	6252412046	RES. CHIP-R-OHM-412-1/10W-F-06		EA	1	NO
2	0R122		YES	10	6252680046	RES. CHIP-R-OHM-680-1/10W-F-06		EA	1	NO
2	0R123		YES	10	6252412046	RES. CHIP-R-OHM-412-1/10W-F-06		EA	1	NO
2	0R126		Yes	10	6252100256	RES. CHIP-R-KOHM-10-1/10W-J-06		EA	1	NO
2	0R127		YES	10	6252100156	RES. CHIP-R-KOHM-1-1/10W-J-603		EA	1	NO
2	0T101		Yes	10	6132000300	XFRMER-POWER-F-0003-UI1S(3C90)		EA	1	NO
2	0T101	51	Yes	10	6132000200	XFRMER--T-0002-XTREME-SMD		EA	1	YES
2	0T102		Yes	10	6132000300	XFRMER-POWER-F-0003-UI1S(3C90)		EA	1	NO
2	0T102	51	Yes	10	6132000200	XFRMER--T-0002-XTREME-SMD		EA	1	YES
2	9N030		Yes	10	1250000110	OIL HOUSE-SOLDER PASTE--		EA	.001	NO
2	CN101		YES	10	6613060030	PLUG-06P-2.0mm-JST\S6B-PH-SM3-		EA	1	NO
2	CN101	51	Yes	10	6613060050	PLUG-6P-2.0mm-88291-0600-ACES		EA	1	NO

2	CN102	Yes	10	6610020010	CONNECTOR----SM02(8.0)B-BHS-1-	EA	1	NO
2	CN103	Yes	10	6610020010	CONNECTOR----SM02(8.0)B-BHS-1-	EA	1	NO
2	CR101	Yes	10	6412019508	DIODE--DAN217 SMD3 T146----ROH	EA	1	NO
2	CR102	Yes	10	6412019508	DIODE--DAN217 SMD3 T146----ROH	EA	1	NO
2	CR103	Yes	10	6412019508	DIODE--DAN217 SMD3 T146----ROH	EA	1	NO
2	CR104	Yes	10	6412019508	DIODE--DAN217 SMD3 T146----ROH	EA	1	NO
2	U1217	No	10	6832121700-02	PCB-INVERTER BD-PTB-1217	EA	1	YES

LITE-ON TECHONLOG CORP

XXBOMR1001

BOM LIST BY CKT-ID

Block Number:5113300029 Desc:INTERFACE BD-H15AAU(9)--E-1-(K)-NON-BRA Plan_Level:

Category From:

Approve:Both

Report Date:29-APR-2002 15:21

To:

Org:RD

Page: 1 OF 6

Lvl	CKTID	G1	Apr	OP	Item No	Description	Drqwing No	Uom	Quantity	Sfty
1	02U01	No	10	1241000205	LABEL-ID DATE CODE-----		EA	1	NO	
1	02U02	Yes	10	7735414540	LABEL-IC LABEL-LITE-ON--ALL-WH	8440001964	EA	1	NO	NO
1	0C003	Yes	10	6311347142	CAP. ALU-uF-470-25V-F-105C-10x		EA	1	NO	
1	0C010	Yes	10	6311310142	CAP. ALU-uF-100-25V-F-105C-6.3		EA	1	NO	
1	0C040	Yes	10	6311547979	CAP. ALU-uF-4.7-50V-F-105C-6.3		EA	1	NO	
1	0C041	Yes	10	6311547979	CAP. ALU-uF-4.7-50V-F-105C-6.3		EA	1	NO	
1	0C042	Yes	10	6311347142	CAP. ALU-uF-470-25V-F-105C-10x		EA	1	NO	
1	0C043	Yes	10	6311347142	CAP. ALU-uF-470-25V-F-105C-10x		EA	1	NO	
1	0C331	Yes	10	6311210169	CAP. ALU-uF-100-16V-F-105C-6X7		EA	1	NO	
1	0C342	Yes	10	6311122149	CAP. ALU-uF-220-10V-NF-105C-8X		EA	1	NO	
1	0C376	Yes	10	6311110299	CAP. ALU-uF-1000-10V-F-105-10X		EA	1	NO	
1	0C384	Yes	10	6311122149	CAP. ALU-uF-220-10V-NF-105C-8X		EA	1	NO	
1	0C390	Yes	10	6311368149	CAP. ALU-uF-680-25V-NF-105C-10		EA	1	NO	
1	0C393	Yes	10	6311110299	CAP. ALU-uF-1000-10V-F-105-10X		EA	1	NO	
1	0C395	Yes	10	6310168148	ALUMINATOR-uF-680-10V--105C-10		EA	1	NO	
1	0C397	Yes	10	6310168148	ALUMINATOR-uF-680-10V--105C-10		EA	1	NO	
1	0C406	Yes	10	6311210169	CAP. ALU-uF-100-16V-F-105C-6X7		EA	1	NO	
1	0C408	Yes	10	6311210169	CAP. ALU-uF-100-16V-F-105C-6X7		EA	1	NO	
1	0D300	Yes	10	6442001345	IC-LINEAR-KA431AZTA-3PIN-TO-92		EA	1	NO	
1	0I001	Yes	10	6442023100	IC-Linear-TDA7496L-20P-PDIP-SG		EA	1	NO	
1	0I303	Yes	10	6448018900	IC-CPU-SM89516C25J-44PIN-PLCC-		EA	1	NO	
1	0L001	Yes	10	6111456131	COIL CHOKE--uH-45-K-DRWW10x10L		EA	1	NO	
1	0L300	Yes	10	6111307130	COIL CHOKE--uH-3-K-DRWW6x8G3-		EA	1.00000	NO	
1	0L301	Yes	10	6111307130	COIL CHOKE--uH-3-K-DRWW6x8G3-		EA	1.00000	NO	
1	0P001	Yes	10	6613030030	PLUG-3P-2.0mm-A2001WR2-03-JWT		EA	1	NO	
1	0P002	Yes	10	6613040020	PLUG-4P-2.0mm-A2001WR2-04-JWT		EA	1	NO	
1	0P301	Yes	10	6613090010	PLUG-09P-2.0mm-JWT-A2001WV2-09		EA	1.00000	NO	
1	0P302	Yes	10	6613140020	PLUG-14P-2.0mm-A200/WV2-14P-JW		EA	1.00000	NO	
1	0P305	Yes	10	6613100020	PLUG-10P-2.0mm-A2001WV2-10-JWT		EA	1.00000	NO	
1	0X300	Yes	10	6449003410	CRYSTAL-12.000MHZ-AT-49-KDS-		EA	1	NO	
1	0X301	Yes	10	6449003410	CRYSTAL-12.000MHZ-AT-49-KDS-		EA	1	NO	
1	9N005	Yes	10	1250000144	WIRE-SOLDER-06m/m--		lb	.001	NO	
1	9N015	No	10	1250000221	FLUX-RF800T3-LONCO		GL	.00034	NO	
1	9N020	No	10	1250000321	OIL HOUSE-THINNER LONCO RF800A		GL	.006	NO	
1	9N025	No	10	1250000130	WIRE-SOLDER-ADEPO S60A--		kg	.001	NO	
1	9N050	No	10	1250000100	OIL HOUSE-SOLDER BAR ADEPTO S6		I	.002	NO	
1	I001M	No	10	7746402571-0A	HEAT SINK--GC150ATA-AL-CLEAN	8440003873	EA	1	NO	NO
1	I303A	No	10	9083000189-04	F/W-H15AAU-M104-LITEON		EA	1	NO	
1	00000	No	10	5213300029	SMT-INTERFACE BD-H15AAU(9)--E		EA	1.00000	NO	
2	0C002	YES	10	6373410486	CAP. MC-uF-0.1-25V-Z-Y5V-SMD-0		EA	1	NO	
2	0C004	YES	10	6373410486	CAP. MC-uF-0.1-25V-Z-Y5V-SMD-0		EA	1	NO	
2	0C007	YES	10	6373410486	CAP. MC-uF-0.1-25V-Z-Y5V-SMD-0		EA	1	NO	
2	0C008	YES	10	6373410486	CAP. MC-uF-0.1-25V-Z-Y5V-SMD-0		EA	1	NO	
2	0C015	YES	10	6373410486	CAP. MC-uF-0.1-25V-Z-Y5V-SMD-0		EA	1	NO	
2	0C044	YES	10	6373410486	CAP. MC-uF-0.1-25V-Z-Y5V-SMD-0		EA	1	NO	
2	0C300	No	10	6371115056	CAP. MC-pF-15-50V-J-NPO-SMD-06		EA	1	NO	
2	0C301	No	10	6371115056	CAP. MC-pF-15-50V-J-NPO-SMD-06		EA	1	NO	

2	0C302	YES	10	6373410486	CAP. MC-uF-0.1-25V-Z-Y5V-SMD-0	EA	1.00000	NO
2	0C303	YES	10	6373410486	CAP. MC-uF-0.1-25V-Z-Y5V-SMD-0	EA	1.00000	NO
2	0C304	YES	10	6373410486	CAP. MC-uF-0.1-25V-Z-Y5V-SMD-0	EA	1.00000	NO
2	0C305	YES	10	6373410486	CAP. MC-uF-0.1-25V-Z-Y5V-SMD-0	EA	1.00000	NO
2	0C306	YES	10	6373410486	CAP. MC-uF-0.1-25V-Z-Y5V-SMD-0	EA	1.00000	NO
2	0C307	YES	10	6373410486	CAP. MC-uF-0.1-25V-Z-Y5V-SMD-0	EA	1.00000	NO
2	0C308	YES	10	6373410486	CAP. MC-uF-0.1-25V-Z-Y5V-SMD-0	EA	1.00000	NO
2	0C309	YES	10	6373410486	CAP. MC-uF-0.1-25V-Z-Y5V-SMD-0	EA	1.00000	NO

LITE-ON TECHONLOG COR

XXBOMR1001

BOM LIST BY CKT-ID

Block Number:5113300029 Desc:INTERFACE BD-H15AAU(9)--E-1-(K)-NON-BRA Plan_Level:

Category From:

Approve:Both

Report Date:29-APR-2002 15:21

To:

Org:RD

Page: 2 OF 6

Lvl	CKTID	G1	Apr	OP	Item No	Description	Drqwing No	Uom	Quantity	SFty
2	0C310	YES	10	6373410486	CAP. MC-uF-0.1-25V-Z-Y5V-SMD-0			EA	1.00000	NO
2	0C311	Yes	10	6371215106	CAP. MC-pF-150-50V-M-X7R-SMD 0			EA	1.00000	NO
2	0C312	Yes	10	6371210306	CAP. MC-uF-0.01-50V-M-X7R-SMD			EA	1.00000	NO
2	0C313	YES	10	6373410486	CAP. MC-uF-0.1-25V-Z-Y5V-SMD-0			EA	1.00000	NO
2	0C314	YES	10	6375410683	CAP. MC-uF-10-10V-Z-Y5V-SMD-12			EA	1.00000	NO
2	0C315	Yes	10	6373239316	CAP. MC-uF-0.039-25V-K-X7R-SMD			EA	1.00000	NO
2	0C318	Yes	10	6371210306	CAP. MC-uF-0.01-50V-M-X7R-SMD			EA	1.00000	NO
2	0C319	Yes	10	6373247216	CAP. MC-uF-0.0047-25V-K-X7R-SM			EA	1.00000	NO
2	0C320	Yes	10	6371210306	CAP. MC-uF-0.01-50V-M-X7R-SMD			EA	1.00000	NO
2	0C321	Yes	10	6371210306	CAP. MC-uF-0.01-50V-M-X7R-SMD			EA	1.00000	NO
2	0C322	Yes	10	6371210306	CAP. MC-uF-0.01-50V-M-X7R-SMD			EA	1.00000	NO
2	0C323	Yes	10	6373247216	CAP. MC-uF-0.0047-25V-K-X7R-SM			EA	1.00000	NO
2	0C324	Yes	10	6371210306	CAP. MC-uF-0.01-50V-M-X7R-SMD			EA	1.00000	NO
2	0C325	Yes	10	6371210306	CAP. MC-uF-0.01-50V-M-X7R-SMD			EA	1.00000	NO
2	0C326	Yes	10	6371210306	CAP. MC-uF-0.01-50V-M-X7R-SMD			EA	1.00000	NO
2	0C327	Yes	10	6373247216	CAP. MC-uF-0.0047-25V-K-X7R-SM			EA	1.00000	NO
2	0C328	Yes	10	6371210306	CAP. MC-uF-0.01-50V-M-X7R-SMD			EA	1.00000	NO
2	0C329	Yes	10	6371210306	CAP. MC-uF-0.01-50V-M-X7R-SMD			EA	1.00000	NO
2	0C330	YES	10	6373410486	CAP. MC-uF-0.1-25V-Z-Y5V-SMD-0			EA	1.00000	NO
2	0C332	YES	10	6373410486	CAP. MC-uF-0.1-25V-Z-Y5V-SMD-0			EA	1.00000	NO
2	0C333	YES	10	6373410486	CAP. MC-uF-0.1-25V-Z-Y5V-SMD-0			EA	1.00000	NO
2	0C334	YES	10	6373410486	CAP. MC-uF-0.1-25V-Z-Y5V-SMD-0			EA	1.00000	NO
2	0C335	YES	10	6373410486	CAP. MC-uF-0.1-25V-Z-Y5V-SMD-0			EA	1.00000	NO
2	0C336	YES	10	6373410486	CAP. MC-uF-0.1-25V-Z-Y5V-SMD-0			EA	1.00000	NO
2	0C337	YES	10	6373410486	CAP. MC-uF-0.1-25V-Z-Y5V-SMD-0			EA	1.00000	NO
2	0C338	YES	10	6373410486	CAP. MC-uF-0.1-25V-Z-Y5V-SMD-0			EA	1.00000	NO
2	0C339	YES	10	6373410486	CAP. MC-uF-0.1-25V-Z-Y5V-SMD-0			EA	1.00000	NO
2	0C340	YES	10	6373410486	CAP. MC-uF-0.1-25V-Z-Y5V-SMD-0			EA	1.00000	NO
2	0C341	YES	10	6373410486	CAP. MC-uF-0.1-25V-Z-Y5V-SMD-0			EA	1.00000	NO
2	0C343	No	10	6371115056	CAP. MC-pF-15-50V-J-NPO-SMD-06			EA	1	NO
2	0C344	YES	10	6373410486	CAP. MC-uF-0.1-25V-Z-Y5V-SMD-0			EA	1.00000	NO
2	0C345	No	10	6371115056	CAP. MC-pF-15-50V-J-NPO-SMD-06			EA	1	NO
2	0C346	YES	10	6373247316	CAP. MC-uF-0.047-25V-K-X7R-SMD			EA	1.00000	NO
2	0C347	YES	10	6373410486	CAP. MC-uF-0.1-25V-Z-Y5V-SMD-0			EA	1.00000	NO
2	0C348	YES	10	6373410486	CAP. MC-uF-0.1-25V-Z-Y5V-SMD-0			EA	1.00000	NO
2	0C349	YES	10	6373410486	CAP. MC-uF-0.1-25V-Z-Y5V-SMD-0			EA	1.00000	NO
2	0C350	YES	10	6373410486	CAP. MC-uF-0.1-25V-Z-Y5V-SMD-0			EA	1.00000	NO
2	0C351	YES	10	6373410486	CAP. MC-uF-0.1-25V-Z-Y5V-SMD-0			EA	1.00000	NO
2	0C352	YES	10	6373410486	CAP. MC-uF-0.1-25V-Z-Y5V-SMD-0			EA	1.00000	NO

2	0C353	YES	10	6373410486	CAP. MC-uF-0.1-25V-Z-Y5V-SMD-0	EA	1.00000	NO
2	0C354	YES	10	6373410486	CAP. MC-uF-0.1-25V-Z-Y5V-SMD-0	EA	1.00000	NO
2	0C355	YES	10	6373410486	CAP. MC-uF-0.1-25V-Z-Y5V-SMD-0	EA	1.00000	NO
2	0C356	YES	10	6373410486	CAP. MC-uF-0.1-25V-Z-Y5V-SMD-0	EA	1.00000	NO
2	0C357	YES	10	6373410486	CAP. MC-uF-0.1-25V-Z-Y5V-SMD-0	EA	1.00000	NO
2	0C359	Yes	10	6371147056	CAP. MC-pF-47-50V-J-NPO-SMD 06	EA	1.00000	NO
2	0C360	Yes	10	6371147056	CAP. MC-pF-47-50V-J-NPO-SMD 06	EA	1.00000	NO
2	0C361	YES	10	6373410486	CAP. MC-uF-0.1-25V-Z-Y5V-SMD-0	EA	1.00000	NO
2	0C363	YES	10	6373410486	CAP. MC-uF-0.1-25V-Z-Y5V-SMD-0	EA	1.00000	NO
2	0C365	YES	10	6373410486	CAP. MC-uF-0.1-25V-Z-Y5V-SMD-0	EA	1.00000	NO
2	0C366	YES	10	6373410486	CAP. MC-uF-0.1-25V-Z-Y5V-SMD-0	EA	1.00000	NO
2	0C368	YES	10	6373410486	CAP. MC-uF-0.1-25V-Z-Y5V-SMD-0	EA	1.00000	NO
2	0C369	Yes	10	6371110156	CAP. MC-pF-100-50V-J-NPO-SMD 0	EA	1	NO
2	0C370	YES	10	6373410486	CAP. MC-uF-0.1-25V-Z-Y5V-SMD-0	EA	1.00000	NO
2	0C371	YES	10	6373410486	CAP. MC-uF-0.1-25V-Z-Y5V-SMD-0	EA	1.00000	NO
2	0C372	Yes	10	6371110156	CAP. MC-pF-100-50V-J-NPO-SMD 0	EA	1	NO

LITE-ON TECHONLOG COR

XXBOMR1001

BOM LIST BY CKT-ID

Block Number:5113300029 Desc:INTERFACE BD-H15AAU(9)--E-1-(K)-NON-BRA Plan_Level:

Category From: Approve:Both Report Date:29-APR-2002 15:21

To: Org:RD Page: 3 OF 6

Lvl	CKTID	G1	Apr	OP	Item No	Description	Drqwing No	Uom	Quantity	SFty
2	0C373	Yes	10	6371110056	CAP. MC-pF-10-50V-J-NPO-SMD	EA	1	NO		
2	0C374	YES	10	6252470256	RES. CHIP-R-KOHM-47-1/10W-J-60	EA	1	NO		
2	0C375	YES	10	6373410486	CAP. MC-uF-0.1-25V-Z-Y5V-SMD-0	EA	1.00000	NO		
2	0C377	YES	10	6373410486	CAP. MC-uF-0.1-25V-Z-Y5V-SMD-0	EA	1.00000	NO		
2	0C378	Yes	10	6371210306	CAP. MC-uF-0.01-50V-M-X7R-SMD	EA	1.00000	NO		
2	0C379	YES	10	6373410486	CAP. MC-uF-0.1-25V-Z-Y5V-SMD-0	EA	1.00000	NO		
2	0C380	Yes	10	6371147056	CAP. MC-pF-47-50V-J-NPO-SMD 06	EA	1	NO		
2	0C381	Yes	10	6371150956	CAP. MC-pF-5-50V-J-NPO-SMD 060	EA	1	NO		
2	0C382	Yes	10	6371110156	CAP. MC-pF-100-50V-J-NPO-SMD 0	EA	1	NO		
2	0C383	YES	10	6373410486	CAP. MC-uF-0.1-25V-Z-Y5V-SMD-0	EA	1.00000	NO		
2	0C385	Yes	10	6371210306	CAP. MC-uF-0.01-50V-M-X7R-SMD	EA	1.00000	NO		
2	0C386	YES	10	6373410486	CAP. MC-uF-0.1-25V-Z-Y5V-SMD-0	EA	1.00000	NO		
2	0C387	YES	10	6373410486	CAP. MC-uF-0.1-25V-Z-Y5V-SMD-0	EA	1	NO		
2	0C388	YES	10	6373410486	CAP. MC-uF-0.1-25V-Z-Y5V-SMD-0	EA	1.00000	NO		
2	0C389	YES	10	6373410486	CAP. MC-uF-0.1-25V-Z-Y5V-SMD-0	EA	1.00000	NO		
2	0C391	Yes	10	6371210306	CAP. MC-uF-0.01-50V-M-X7R-SMD	EA	1.00000	NO		
2	0C392	YES	10	6373410486	CAP. MC-uF-0.1-25V-Z-Y5V-SMD-0	EA	1.00000	NO		
2	0C394	Yes	10	6371210306	CAP. MC-uF-0.01-50V-M-X7R-SMD	EA	1.00000	NO		
2	0C396	YES	10	6373410486	CAP. MC-uF-0.1-25V-Z-Y5V-SMD-0	EA	1.00000	NO		
2	0C398	YES	10	6373410486	CAP. MC-uF-0.1-25V-Z-Y5V-SMD-0	EA	1.00000	NO		
2	0C399	Yes	10	6371210306	CAP. MC-uF-0.01-50V-M-X7R-SMD	EA	1.00000	NO		
2	0C400	YES	10	6375410683	CAP. MC-uF-10-10V-Z-Y5V-SMD-12	EA	1.00000	NO		
2	0C401	YES	10	6373410486	CAP. MC-uF-0.1-25V-Z-Y5V-SMD-0	EA	1.00000	NO		
2	0C402	Yes	10	6371210306	CAP. MC-uF-0.01-50V-M-X7R-SMD	EA	1.00000	NO		
2	0C403	YES	10	6375410683	CAP. MC-uF-10-10V-Z-Y5V-SMD-12	EA	1.00000	NO		
2	0C404	YES	10	6373410486	CAP. MC-uF-0.1-25V-Z-Y5V-SMD-0	EA	1.00000	NO		
2	0C405	Yes	10	6371210306	CAP. MC-uF-0.01-50V-M-X7R-SMD	EA	1.00000	NO		
2	0C407	YES	10	6373410486	CAP. MC-uF-0.1-25V-Z-Y5V-SMD-0	EA	1.00000	NO		
2	0C409	YES	10	6373410486	CAP. MC-uF-0.1-25V-Z-Y5V-SMD-0	EA	1.00000	NO		
2	0C410	Yes	10	6371210306	CAP. MC-uF-0.01-50V-M-X7R-SMD	EA	1.00000	NO		
2	0C411	YES	10	6373410486	CAP. MC-uF-0.1-25V-Z-Y5V-SMD-0	EA	1.00000	NO		

2	0C412	Yes	10	6311210043	ALUMINATOR-uF-10-16V-T-105C--S	EA 1	NO
2	0C414	YES	10	6373410486	CAP. MC-uF-0.1-25V-Z-Y5V-SMD-0	EA 1	NO
2	0C415	Yes	10	6371210306	CAP. MC-uF-0.01-50V-M-X7R-SMD	EA 1.00000	NO
2	0C416	Yes	10	6371110156	CAP. MC-pF-100-50V-J-NPO-SMD 0	EA 1	NO
2	0C417	YES	10	6373410486	CAP. MC-uF-0.1-25V-Z-Y5V-SMD-0	EA 1	NO
2	0C418	YES	10	6373410486	CAP. MC-uF-0.1-25V-Z-Y5V-SMD-0	EA 1	NO
2	0C419	YES	10	6373410486	CAP. MC-uF-0.1-25V-Z-Y5V-SMD-0	EA 1	NO
2	0C420	No	10	6374447486-01	CAP. MC-uF-0.47-16V-Z-Y5V-SMD-	EA 1	NO
2	0D002	Yes	10	6412025108	DIODE-SWITCHING-S1A-1A/50V-SMD	EA 1	NO
2	0D003	Yes	10	6412025108	DIODE-SWITCHING-S1A-1A/50V-SMD	EA 1	NO
2	0D303	YES	10	6412001778	DIODE-MM4148-SMD-GOODARK---	EA 1.00000	NO
2	0D304	YES	10	6412001778	DIODE-MM4148-SMD-GOODARK---	EA 1.00000	NO
2	0D305	Yes	10	6412019508	DIODE--DAN217 SMD3 T146---ROH	EA 1.00000	NO
2	0D306	YES	10	6412001778	DIODE-MM4148-SMD-GOODARK---	EA 1.00000	NO
2	0D307	Yes	10	6414056038	DIODE-ZNR-RLZ TE-11 5.6B LL-34	EA 1.00000	NO
2	0D308	YES	10	6412001778	DIODE-MM4148-SMD-GOODARK---	EA 1.00000	NO
2	0D309	Yes	10	6414056038	DIODE-ZNR-RLZ TE-11 5.6B LL-34	EA 1.00000	NO
2	0D310	Yes	10	6414056038	DIODE-ZNR-RLZ TE-11 5.6B LL-34	EA 1.00000	NO
2	0D311	Yes	10	6412019508	DIODE--DAN217 SMD3 T146---ROH	EA 1.00000	NO
2	0D312	Yes	10	6412019508	DIODE--DAN217 SMD3 T146---ROH	EA 1.00000	NO
2	0D313	Yes	10	6412019508	DIODE--DAN217 SMD3 T146---ROH	EA 1.00000	NO
2	0D314	Yes	10	6412019508	DIODE--DAN217 SMD3 T146---ROH	EA 1.00000	NO
2	0D315	Yes	10	6412019508	DIODE--DAN217 SMD3 T146---ROH	EA 1.00000	NO
2	0D316	Yes	10	6412019508	DIODE--DAN217 SMD3 T146---ROH	EA 1	NO

LITE-ON TECHONLOG COR

XXBOMR1001

BOM LIST BY CKT-ID

Block Number:5113300029 Desc:INTERFACE BD-H15AAU(9)--E-1-(K)-NON-BRA Plan_Level:

Category From:

Approve:Both

Report Date:29-APR-2002 15:21

To:

Org:RD

Page: 4 OF 6

Lvl	CKTID	G1	Apr	OP	Item No	Description	Drqwing No	Uom	Quantity	SFty
2	0D317	Yes	10	6412019508	DIODE--DAN217 SMD3 T146---ROH			EA	1	NO
2	0D318	Yes	10	6412019508	DIODE--DAN217 SMD3 T146---ROH			EA	1	NO
2	0D320	YES	10	6413040038	DIODE-SCHOTTKY-RB751V-40-ROHM-			EA	1	NO
2	0I300	Yes	10	6447000406	IC-ASIC-MASCOT II CONTROLLER-1			EA	1.00000	NO
2	0I301	Yes	10	6447000506	IC-ASIC-VITESSE2-100P-QFP-MRT			EA	1.00000	NO
2	0I302	Yes	10	6444006108	IC-MOS-M51953AFP-8P-SOP-			EA	1	NO
2	0I304	YES	10	6448016508	IC-EEPROM-24LC16B/SN-8P-SOP			EA	1	NO
2	0I305	Yes	10	6448018208	IC-24LC02B-8PIN-SOP-MICROCHIP			EA	1	NO
2	0I306	Yes	10	6446006218	IC-TTL-74LVC14-14P-TSSOP-TI			EA	1.00000	NO
2	0I307	Yes	10	6442001978	IC-Linear-LM358DR-8P-SOP-TI			EA	1.00000	NO
2	0I308	Yes	10	6442023326	IC-Linear-AIC1084-33CM-3P-TO26			EA	1.00000	NO
2	0I309	Yes	10	6442018028	IC-LINEAR-AIC1722-33CX-3.3V-SO			EA	1	NO
2	0I310	YES	10	6446008108	IC-TTL-NC7SZ04M5X-5P--FAIRCHIL			EA	1	NO
2	0P303	Yes	10	6640450030	CONNECTOR-FFC-45P-0.5mm-GF056-			EA	1	NO
2	0P303 51	Yes	10	6640045400	CONNECTOR-FPC-45P-0.5mm-XF2H-4			EA	1	NO
2	0P304	Yes	10	6640300040	CONNECTOR-FFC-30P-0.5mm-GF056-			EA	1	NO
2	0P304 51	Yes	10	6640030400	CONNECTOR-FPC-30P-0.5mm-XF2H-3			EA	1	NO
2	0Q300	YES	10	6422007208	TRANSISTOR-NPN-SST2222AT116-T1			EA	1.00000	NO
2	0Q301	YES	10	6422007208	TRANSISTOR-NPN-SST2222AT116-T1			EA	1.00000	NO
2	0Q302	Yes	10	6427002508	FET-P-CHNL-SI2305DS-T1-VISHAY			EA	1	NO
2	0Q303	Yes	10	6422007308	TRANSISTOR-NPN-SST3904T116-T11			EA	1.00000	NO
2	0R001	Yes	10	6252000056	RES. CHIP-R-OHM-0-1/10W-J-0603			EA	1	NO
2	0R003	Yes	10	6252180346	RES. CHIP-R-KOHM-180-1/10W-F-S			EA	1	NO

2	0R004	Yes	10	6252300356	RES. CHIP-R-KOHM-300-1/10W-J-S	EA 1	NO
2	0R040	Yes	10	6252100146	RES. CHIP-R-KOHM-1-1/10W-F-603	EA 1	NO
2	0R041	Yes	10	6252100146	RES. CHIP-R-KOHM-1-1/10W-F-603	EA 1	NO
2	0R042	Yes	10	6252470246	RES. CHIP-R-KOHM-47-1/10W-F-SM	EA 1	NO
2	0R043	Yes	10	6252470246	RES. CHIP-R-KOHM-47-1/10W-F-SM	EA 1	NO
2	0R045	Yes	10	6252100256	RES. CHIP-R-KOHM-10-1/10W-J-06	EA 1	NO
2	0R046	Yes	10	6252000056	RES. CHIP-R-OHM-0-1/10W-J-0603	EA 1	NO
2	0R303	Yes	10	6252100256	RES. CHIP-R-KOHM-10-1/10W-J-06	EA 1.00000	NO
2	0R304	Yes	10	6252100256	RES. CHIP-R-KOHM-10-1/10W-J-06	EA 1.00000	NO
2	0R305	Yes	10	6252100256	RES. CHIP-R-KOHM-10-1/10W-J-06	EA 1.00000	NO
2	0R306	Yes	10	6252510046	RES. CHIP-R-OHM-510-1/10W-F-06	EA 1.00000	NO
2	0R307	YES	10	6252100456	RES. CHIP-R-MOHM-1-1/10W-J-603	EA 1.00000	NO
2	0R308	Yes	10	6252330956	RES. CHIP-R-OHM-33-1/10W-J-060	EA 1.00000	NO
2	0R309	Yes	10	6252330956	RES. CHIP-R-OHM-33-1/10W-J-060	EA 1.00000	NO
2	0R310	Yes	10	6252220156	RES. CHIP-R-KOHM-2.2-1/10W-J-0	EA 1.00000	NO
2	0R311	Yes	10	6252330956	RES. CHIP-R-OHM-33-1/10W-J-060	EA 1.00000	NO
2	0R312	Yes	10	6252330956	RES. CHIP-R-OHM-33-1/10W-J-060	EA 1.00000	NO
2	0R313	YES	10	6252100456	RES. CHIP-R-MOHM-1-1/10W-J-603	EA 1	NO
2	0R314	Yes	10	6252220156	RES. CHIP-R-KOHM-2.2-1/10W-J-0	EA 1	NO
2	0R315	Yes	10	6252220156	RES. CHIP-R-KOHM-2.2-1/10W-J-0	EA 1	NO
2	0R318	Yes	10	6252470156	RES. CHIP-R-KOHM-4.7-1/10W-J-0	EA 1.00000	NO
2	0R319	Yes	10	6252470156	RES. CHIP-R-KOHM-4.7-1/10W-J-0	EA 1.00000	NO
2	0R323	Yes	10	6252330956	RES. CHIP-R-OHM-33-1/10W-J-060	EA 1.00000	NO
2	0R324	Yes	10	6252330956	RES. CHIP-R-OHM-33-1/10W-J-060	EA 1.00000	NO
2	0R325	Yes	10	6252330956	RES. CHIP-R-OHM-33-1/10W-J-060	EA 1.00000	NO
2	0R326	Yes	10	6252330956	RES. CHIP-R-OHM-33-1/10W-J-060	EA 1.00000	NO
2	0R327	Yes	10	6252470156	RES. CHIP-R-KOHM-4.7-1/10W-J-0	EA 1.00000	NO
2	0R328	Yes	10	6252470156	RES. CHIP-R-KOHM-4.7-1/10W-J-0	EA 1.00000	NO
2	0R329	YES	10	6252680056	RES. CHIP-R-OHM-680-1/10W-J-60	EA 1	NO
2	0R330	YES	10	6252100156	RES. CHIP-R-KOHM-1-1/10W-J-603	EA 1	NO
2	0R331	YES	10	6252680056	RES. CHIP-R-OHM-680-1/10W-J-60	EA 1	NO
2	0R332	YES	10	6252100156	RES. CHIP-R-KOHM-1-1/10W-J-603	EA 1.00000	NO

LITE-ON TECHONLOG COR

XXBOMR1001

BOM LIST BY CKT-ID

Block Number:5113300029 Desc:INTERFACE BD-H15AAU(9)--E-1-(K)-NON-BRA Plan_Level:

Category From:

Approve:Both

Report Date:29-APR-2002 15:21

To:

Org:RD

Page: 5 OF 6

Lvl	CKTID	G1	Apr	OP	Item No	Description	Drqwing No	Uom	Quantity	SFty
2	0R334	YES	10		6252470256	RES. CHIP-R-KOHM-47-1/10W-J-60		EA	1.00000	NO
2	0R335	YES	10		6252470256	RES. CHIP-R-KOHM-47-1/10W-J-60		EA	1.00000	NO
2	0R337	Yes	10		6252470956	RES. CHIP-R-OHM-47-1/10W-J-060		EA	1.00000	NO
2	0R338	Yes	10		6252470956	RES. CHIP-R-OHM-47-1/10W-J-060		EA	1.00000	NO
2	0R339	Yes	10		6252750956	RES. CHIP-R-OHM-75-1/10W-J-060		EA	1.00000	NO
2	0R340	Yes	10		6252750956	RES. CHIP-R-OHM-75-1/10W-J-060		EA	1.00000	NO
2	0R341	Yes	10		6252750956	RES. CHIP-R-OHM-75-1/10W-J-060		EA	1.00000	NO
2	0R342	Yes	10		6252100256	RES. CHIP-R-KOHM-10-1/10W-J-06		EA	1.00000	NO
2	0R343	Yes	10		6252100056	RES. CHIP-R-OHM-100-1/10W-J-06		EA	1.00000	NO
2	0R346	YES	10		6373410486	CAP. MC-uF-0.1-25V-Z-Y5V-SMD-0		EA	1	NO
2	0R347	Yes	10		6252150056	RES. CHIP-R-OHM-150-1/10W-J-06		EA	1	NO
2	0R348	Yes	10		6252100056	RES. CHIP-R-OHM-100-1/10W-J-06		EA	1.00000	NO
2	0R349	Yes	10		6252470156	RES. CHIP-R-KOHM-4.7-1/10W-J-0		EA	1.00000	NO
2	0R350	YES	10		6252330156	RES. CHIP-R-KOHM-3.3-1/10W-J-6		EA	1.00000	NO
2	0R351	Yes	10		6252330956	RES. CHIP-R-OHM-33-1/10W-J-060		EA	1.00000	NO

2	OR352	Yes	10	6252330956	RES. CHIP-R-OHM-33-1/10W-J-060	EA	1.00000	NO
2	OR353	Yes	10	6252015056	RES. CHIP-R-OHM-15-1/10W-J-SMD	EA	1	NO
2	OR354	Yes	10	6252015056	RES. CHIP-R-OHM-15-1/10W-J-SMD	EA	1	NO
2	OR355	Yes	10	6252330956	RES. CHIP-R-OHM-33-1/10W-J-060	EA	1.00000	NO
2	OR356	Yes	10	6252100356	RES. CHIP-R-KOHM-100-1/10W-J-0	EA	1.00000	NO
2	OR357	Yes	10	6252100356	RES. CHIP-R-KOHM-100-1/10W-J-0	EA	1.00000	NO
2	OR358	Yes	10	6252100356	RES. CHIP-R-KOHM-100-1/10W-J-0	EA	1.00000	NO
2	OR359	Yes	10	6252100056	RES. CHIP-R-OHM-100-1/10W-J-06	EA	1.00000	NO
2	OR360	Yes	10	6252100056	RES. CHIP-R-OHM-100-1/10W-J-06	EA	1.00000	NO
2	OR361	Yes	10	6252000056	RES. CHIP-R-OHM-0-1/10W-J-0603	EA	1	NO
2	OR362	Yes	10	6252015056	RES. CHIP-R-OHM-15-1/10W-J-SMD	EA	1	NO
2	OR363	YES	10	6252470256	RES. CHIP-R-KOHM-47-1/10W-J-60	EA	1.00000	NO
2	OR364	YES	10	6252470256	RES. CHIP-R-KOHM-47-1/10W-J-60	EA	1.00000	NO
2	OR365	Yes	10	6252000056	RES. CHIP-R-OHM-0-1/10W-J-0603	EA	1	NO
2	OR366	Yes	10	6252100256	RES. CHIP-R-KOHM-10-1/10W-J-06	EA	1	NO
2	OR367	Yes	10	6252470956	RES. CHIP-R-OHM-47-1/10W-J-060	EA	1	NO
2	OR368	Yes	10	6252150056	RES. CHIP-R-OHM-150-1/10W-J-06	EA	1	NO
2	OR369	Yes	10	6252470956	RES. CHIP-R-OHM-47-1/10W-J-060	EA	1	NO
2	OR370	Yes	10	6252470956	RES. CHIP-R-OHM-47-1/10W-J-060	EA	1	NO
2	OR371	YES	10	6252100156	RES. CHIP-R-KOHM-1-1/10W-J-603	EA	1	NO
2	9N030	Yes	10	1250000110	OIL HOUSE-SOLDER PASTE--	EA	.002	NO
2	9N031	No	10	1320001001	OIL HOUSE-CLEANSER FOR SMT-CHU	GL	.0028	NO
2	CM301	YES	10	6373410486	CAP. MC-uF-0.1-25V-Z-Y5V-SMD-0	EA	1	NO
2	CM302	YES	10	6373410486	CAP. MC-uF-0.1-25V-Z-Y5V-SMD-0	EA	1	NO
2	CM303	YES	10	6373410486	CAP. MC-uF-0.1-25V-Z-Y5V-SMD-0	EA	1	NO
2	CM304	YES	10	6373410486	CAP. MC-uF-0.1-25V-Z-Y5V-SMD-0	EA	1	NO
2	CM305	YES	10	6373410486	CAP. MC-uF-0.1-25V-Z-Y5V-SMD-0	EA	1	NO
2	CM306	YES	10	6373410486	CAP. MC-uF-0.1-25V-Z-Y5V-SMD-0	EA	1	NO
2	FB301	Yes	10	6881100406	CORE-BEAD-WB201209B300QS--WLSN	EA	1.00000	NO
2	FB302	Yes	10	6881101108	CORE-BEAD-WB201209F050QST--WLS	EA	1.00000	NO
2	FB303	Yes	10	6881101108	CORE-BEAD-WB201209F050QST--WLS	EA	1.00000	NO
2	FB304	Yes	10	6881101108	CORE-BEAD-WB201209F050QST--WLS	EA	1.00000	NO
2	FB305	Yes	10	6881601578	CORE-BEAD-SBK160808T-300Y-S--C	EA	1	NO
2	FB306	Yes	10	6881601578	CORE-BEAD-SBK160808T-300Y-S--C	EA	1	NO
2	FB307	Yes	10	6881601578	CORE-BEAD-SBK160808T-300Y-S--C	EA	1	NO
2	FB308	YES	10	6881101928	CORE-BEAD-WB201209B401QNT WLSN	EA	1.00000	NO
2	FB309	YES	10	6881101928	CORE-BEAD-WB201209B401QNT WLSN	EA	1.00000	NO
2	FB311	Yes	10	6881100406	CORE-BEAD-WB201209B300QS--WLSN	EA	1	NO
2	FB312	Yes	10	6881100406	CORE-BEAD-WB201209B300QS--WLSN	EA	1.00000	NO
2	FB313	Yes	10	6881100406	CORE-BEAD-WB201209B300QS--WLSN	EA	1.00000	NO

LITE-ON TECHONLOG COR

XXBOMR1001

BOM LIST BY CKT-ID

Block Number:5113300029 Desc:INTERFACE BD-H15AAU(9)--E-1-(K)-NON-BRA Plan_Level:

Category From: Approve:Both Report Date:29-APR-2002 15:21

To: Org:RD Page: 6 OF 6

Lvl	CKTID	G1	Apr	OP	Item No	Description	Drqwing	No Uom	Quantity	SFTy
2	FB314	Yes	10	6881102068	CORE-BEAD-FCM2012 C-501T03-SMD	EA	1	NO		
2	FB315	Yes	10	6881102068	CORE-BEAD-FCM2012 C-501T03-SMD	EA	1	NO		
2	FB316	Yes	10	6881100406	CORE-BEAD-WB201209B300QS--WLSN	EA	1.00000	NO		
2	FB317	Yes	10	6881100406	CORE-BEAD-WB201209B300QS--WLSN	EA	1.00000	NO		
2	FB318	Yes	10	6881100406	CORE-BEAD-WB201209B300QS--WLSN	EA	1.00000	NO		
2	FB319	Yes	10	6881100406	CORE-BEAD-WB201209B300QS--WLSN	EA	1.00000	NO		
2	FB320	Yes	10	6881100406	CORE-BEAD-WB201209B300QS--WLSN	EA	1.00000	NO		

2	FB321	Yes	10	6881100406	CORE-BEAD-WB201209B300QS--WLSN	EA	1.00000	NO
2	FB322	Yes	10	6881100406	CORE-BEAD-WB201209B300QS--WLSN	EA	1.00000	NO
2	FB323	Yes	10	6881100406	CORE-BEAD-WB201209B300QS--WLSN	EA	1.00000	NO
2	FB324	Yes	10	6881100406	CORE-BEAD-WB201209B300QS--WLSN	EA	1.00000	NO
2	FB325	Yes	10	6881100406	CORE-BEAD-WB201209B300QS--WLSN	EA	1.00000	NO
2	FB326	Yes	10	6881100406	CORE-BEAD-WB201209B300QS--WLSN	EA	1.00000	NO
2	FB328	YES	10	6881601378	CORE-BEAD-SBK160808T-600Y-S--C	EA	1	NO
2	FB329	YES	10	6881601378	CORE-BEAD-SBK160808T-600Y-S--C	EA	1	NO
2	FB330	YES	10	6881601378	CORE-BEAD-SBK160808T-600Y-S--C	EA	1	NO
2	I303B	Yes	10	6626440020	SOCKET-IC-8111-44TAB2-44P-PLCC	EA	1.00000	NO
2	RP300	YES	10	6263302818	RES. FRN-OHM-33-1/16W-J	EA	1.00000	NO
2	RP301	YES	10	6263302818	RES. FRN-OHM-33-1/16W-J	EA	1.00000	NO
2	RP302	YES	10	6263302818	RES. FRN-OHM-33-1/16W-J	EA	1.00000	NO
2	RP303	YES	10	6263302818	RES. FRN-OHM-33-1/16W-J	EA	1.00000	NO
2	RP304	YES	10	6263302818	RES. FRN-OHM-33-1/16W-J	EA	1.00000	NO
2	RP305	YES	10	6263302818	RES. FRN-OHM-33-1/16W-J	EA	1.00000	NO
2	RP306	YES	10	6263302818	RES. FRN-OHM-33-1/16W-J	EA	1.00000	NO
2	RP307	YES	10	6263302818	RES. FRN-OHM-33-1/16W-J	EA	1.00000	NO
2	RP308	YES	10	6263302818	RES. FRN-OHM-33-1/16W-J	EA	1.00000	NO
2	RP309	YES	10	6263302818	RES. FRN-OHM-33-1/16W-J	EA	1.00000	NO
2	RP310	YES	10	6263302818	RES. FRN-OHM-33-1/16W-J	EA	1.00000	NO
2	RP311	YES	10	6263302818	RES. FRN-OHM-33-1/16W-J	EA	1.00000	NO
2	RP312	YES	10	6263302818	RES. FRN-OHM-33-1/16W-J	EA	1.00000	NO
2	RP313	YES	10	6263302818	RES. FRN-OHM-33-1/16W-J	EA	1.00000	NO
2	RP314	YES	10	6263302818	RES. FRN-OHM-33-1/16W-J	EA	1.00000	NO
2	RP315	YES	10	6263302818	RES. FRN-OHM-33-1/16W-J	EA	1.00000	NO
2	RP316	YES	10	6263302818	RES. FRN-OHM-33-1/16W-J	EA	1.00000	NO
2	RP317	YES	10	6263302818	RES. FRN-OHM-33-1/16W-J	EA	1.00000	NO
2	RP318	Yes	10	6261032818	RES. FRN-KOHM-10-1/16W-J	EA	1.00000	NO
2	RP319	Yes	10	6264702818	RES. FRN-OHM-47-1/16W-J	EA	1	NO
2	RP320	Yes	10	6264702818	RES. FRN-OHM-47-1/16W-J	EA	1	NO
2	U1238	No	10	6832123800-02	PCB-INTERFACE BD-PTB-1238-REV.	EA	1	YES

LITE-ON TECHONLOG CORP

XXBOMR1001

BOM LIST BY CKT-ID

Block Number:5114100024 Desc:CONTROL BD-AUDIO JACK BD-H15AAU(9)-=-E-1 Plan_Level:

Category From:

Approve:Both

Report Date:29-APR-2002 15:21

To:

Org:RD

Page: 1 OF 1

Lvl	CKTID	G1	Apr	OP	Item No	Description	Drqwing No	Uom	Quantity	SFty
1	02U01	Yes	10	10	1241000200	LABEL-DATE CODE-----	8340000485	EA	1	NO
1	0P001	YES	10	10	6613030020	PLUG-03P-2.0mm-JWT-A2001WV2-03		EA	1.00000	NO
1	9N010	No	10	10	1250000130	WIRE-SOLDER-ADEPO S60A--		kg	.00001	NO
1	9N020	No	10	10	1250000141	WIRE-SOLDER-12M/M--		kg	.00003	NO
1	9N025	No	10	10	1250000221	FLUX-RF800T3-LONCO		GL	.003	NO
1	9N030	No	10	10	1250000321	OIL HOUSE-THINNER LONCO RF800A		GL	.0005	NO
1	9N050	No	10	10	1250000100	OIL HOUSE-SOLDER BAR ADEPTO S6		I	.002	NO
1	JK011	Yes	10	10	6627002000	JACK-PHONE---MSJ-035-12D PC BL		EA	1.00000	NO
1	U1234	No	10	10	6832123400-01	PCB-AUDIO JACK BD-PTB-1234-01		EA	1	YES

LITE-ON TECHONLOG CORP

XXBOMR1001

BOM LIST BY CKT-ID

Block Number:5114300006 Desc:CONTROL BD-POWER BD-H15AAU(9)--E-1-(K)- Plan_Level:

Category From:

Approve:Both

Report Date:29-APR-2002 15:21

To:

Org:RD

Page: 1 OF 2

Lvl	CKTID	G1	Apr	OP	Item No	Description	Drqwing No	Uom	Quantity	Sfty
1	02U04	Yes	10		1241000200	LABEL-DATE CODE-----	8340000485	EA	1	NO
1	0C801	Yes	10		6328833419	CAP. X2-MPP-uF-0.33-275V-K--P=		EA	1	YES
1	0C802	Yes	10		6328810419	CAP. X2-MEF-uF-0.1-275V-K--P=1		EA	1	YES
1	0C803	YES	10		6302122292	CAP. CD-pF-2200-250V-M-F-7.5-Y		EA	1	YES
1	0C803	51	Yes	10	6302122272	CAP. CD-pF-2200-250V-M-F-7.5-Y		EA	1	YES
1	0C804	YES	10		6302122292	CAP. CD-pF-2200-250V-M-F-7.5-Y		EA	1	YES
1	0C804	51	Yes	10	6302122272	CAP. CD-pF-2200-250V-M-F-7.5-Y		EA	1	YES
1	0C805	Yes	10		6312610149	CAP. ALU-uF-100-400V-F-105C-18		EA	1	NO
1	0C828	YES	10		6302410262	CAP. CD-pF-1000-250V-M-F-P=10-		EA	1	YES
1	0C828	51	Yes	10	6302410242	CAP. CD-pF-1000-250V-M-F-10-SY		EA	1	YES
1	0D801	YES	10		6417001400	DIODE-BRIDGE-KBP205G-2A/600V--		EA	1	NO
1	0D809	Yes	10		6412020007	DIODE--SF34-3A/200V-T52--TSC		EA	1	NO
1	0D810	YES	10		6412015817	DIODE-SWITCHING-SB360-3A/60V-T		EA	1	NO
1	0F801	Yes	10		6851031550	FUSE-TIME LAG-3.15A/250V---LIT		EA	1	YES
1	0G801	Yes	10		7748000190-0A	GROUNDING-CONNECTOR-MTS-C150AT	8440003377	EA	1	NO
1	0I801	Yes	10		6442022010	IC-Linear-KA3842AE-S-8P-PDIP-F		EA	1	NO
1	0I802	Yes	10		6442014000	IC-Linear-LTV-817D-4P-PDIP-LIT		EA	1	YES
1	0L802	Yes	10		6111336131	COIL CHOKE--uH-33-K-DRWW10x10L		EA	1	NO
1	0P802	YES	10		6711100140-00	HARNES-10P-70mm-2.0 1007#26-3		EA	1	NO
1	0P803	YES	10		6711060400-00	HARNES-6P-2.0-100mm-1007#26--		EA	1	NO
1	0Q803	YES	10		6426008700	FET-N-CHNL-SSS4N60AS-2.3A/600V		EA	1	NO
1	0R802	Yes	10		6201080012	THERMISTOR-OHM-8-3A-P=5-SCK-08		EA	1	YES
1	0R803	Yes	10		6221210452	RES. MOF-KOHM-100-2W-J-HOR-		EA	1	NO
1	0R805	Yes	10		6221210452	RES. MOF-KOHM-100-2W-J-HOR-		EA	1	NO
1	0R806	Yes	10		6221333352	RES. MOF-KOHM-33-3W-J-HOR-		EA	1	NO
1	0R811	Yes	10		6221112952	RES. MOF-OHM-1.2-1W-J-HOR-		EA	1	NO
1	0R833	Yes	10		6221112252	RES. MOF-KOHM-1.2-1W-J-HOR-		EA	1	NO
1	0T801	Yes	10		6138003000	LINE FILTER-TLF-1030-mH-10.5-E		EA	1	YES
1	0T802	Yes	10		6131052300	XFRMER-POWER-TPW-1085-ER-28S-L		EA	1	YES
1	9N005	No	10		1250000130	WIRE-SOLDER-ADEPO S60A--		kg	.0007	NO
1	9N015	No	10		1250000141	WIRE-SOLDER-12M/M--		kg	.00075	NO
1	9N020	No	10		1250000321	OIL HOUSE-THINNER LONCO RF800A		GL	.003	NO
1	9N025	No	10		1250000221	FLUX-RF800T3-LONCO		GL	.003	NO
1	9N050	No	10		1250000100	OIL HOUSE-SOLDER BAR ADEPTO S6		I	.003	NO
1	9N066	No	10		1241000011	TAPE-PACKING-FILM STRETCH WRAP		RL	.00006	NO
1	9N080	Yes	10		1240000423	TAPE--50Mx508mmx0055mm-PCK-		RL	.0002	NO
1	9N081	Yes	10		6875000101	ADHESIVE-HOT MELT-11.3X300mm 1		Ib	.004	NO
1	9N081	51	Yes	10	6875000400	ADHESIVE-HOT MELT-521 UL94V-0-		EA	.004	YES
1	F801A	Yes	10		6622050010	FUSE CLIP-FC-04 for D=5mm FUSE		EA	2	NO
1	I008N	Yes	10		7150130081-0A	SCREW-BTYPE--Round-M3-8-Zn	8440003300	EA	1	NO
1	P801A	Yes	10		6714030060-00	HARNES--3P-200mm-1015#18(G/Y)		EA	1.00000	NO
1	Q803C	No	10		1250000520	HEAT SINK-COMPOUND---		kg	.00005	NO
1	Q803K	No	10		1250000415	OIL HOUSE-VA-450 SCREW LOCKING		kg	.00002	NO
1	Q803M	Yes	10		7746402560-0A	HEAT SINK-POWER BD---		EA	1	NO
1	VR801	Yes	10		6245102003	VARIABLE-KOHM-1-0.3W-TA--6D--		EA	1	NO
1	00000	No	10		5714300006	AI-POWER BD-H15AAU(9)--E-1-(K		EA	1.00000	NO
2	0C806	Yes	30		6336510305	CAP. CD-uF-0.01-1000V-M-T--Z5U		EA	1	NO

2	0C807	Yes	30	6311347045	ALUMINATOR-UF-47-25V-T-105C-5*	EA	1	NO
2	0C809	Yes	10	6338522115	CAP. CD-pF-220-1000V-K-T--X7R-	EA	1	NO
2	0C810	Yes	30	6338110485	CAP. CD-UF-0.1-50V-Z-T--Y5V-	EA	1	NO
2	0C811	Yes	30	6335110215	CAP. CD-PF-1000-50V-K-T--Y5P-	EA	1	NO
2	0C812	Yes	30	6338110485	CAP. CD-UF-0.1-50V-Z-T--Y5V-	EA	1	NO
2	0C813	Yes	30	6335110315	CAP. CD-UF-0.01-50V-K-T--Y5P-	EA	1	NO
2	0C814	Yes	30	6311510045	ALUMINATOR-uF-10-50V-T-105C-5x	EA	1	NO
2	0C815	Yes	30	6356110455	CAP. MEM-uF-0.1-50V-J-T--MATSU	EA	1	NO

LITE-ON TECHONLOG COR

XXBOMR1001

BOM LIST BY CKT-ID

Block Number:5114300006 Desc:CONTROL BD-POWER BD-H15AAU(9)--E-1-(K)- Plan_Level:

Category From: Approve:Both Report Date:29-APR-2002 15:21

To: Org:RD Page: 2 OF 2

Lvl	CKTID	G1	Apr	OP	Item No	Description	Drqwing No	Uom	Quantity	SFty
2	0C816	Yes	30		6335110215	CAP. CD-PF-1000-50V-K-T--Y5P-		EA	1	NO
2	0C817	Yes	30		6311347145	ALUMINATOR-uF-470-25V-T-105C-1		EA	1	NO
2	0C818	Yes	30		6311347145	ALUMINATOR-uF-470-25V-T-105C-1		EA	1	NO
2	0C820	Yes	30		6338110485	CAP. CD-UF-0.1-50V-Z-T--Y5V-		EA	1	NO
2	0C821	Yes	30		6335110215	CAP. CD-PF-1000-50V-K-T--Y5P-		EA	1	NO
2	0C822	Yes	30		6311347195	CAP. ALU-uF-470-25V-T-105C-10X		EA	1	NO
2	0C824	Yes	10		6311210245	ALUMINATOR-uF-1000-16V-T-105C-		EA	1	NO
2	0C826	Yes	30		6338110485	CAP. CD-UF-0.1-50V-Z-T--Y5V-		EA	1	NO
2	0C827	Yes	30		6356110455	CAP. MEM-uF-0.1-50V-J-T--MATSU		EA	1	NO
2	0C831	Yes	30		6311322045	ALUMINATOR-uF-22-25V-T-105C-5x		EA	1	NO
2	0D803	Yes	20		6412007927	DIODE--FUF4006AMP-1A/800V-T52-		EA	1	NO
2	0D804	Yes	20		6412012317	DIODE--FUF4005AMP-1A/600V-T52-		EA	1	NO
2	0D806	Yes	20		6412001707	DIODE-SWITCHING-1N4148 T-72--T		EA	1	NO
2	0I803	Yes	30		6442001345	IC-LINEAR-KA431AZTA-3PIN-TO-92		EA	1	NO
2	0J801	Yes	10		6700060000	JUMPER WIRE-	kg .00009			NO
2	0Q806	Yes	30		6423000045	TRANSISTOR-PNP-2SA733P-T-TAPIN		EA	1	NO
2	0Q806	51	Yes	30	6423000205	TRANSISTOR-PNP-KSA733C-G-TA--F		EA	1	NO
2	0R801	YES	10		6221147457	RES. MOF-KOHM-470-1W-J-AT52-		EA	1	NO
2	0R807	Yes	20		6212147954	RES. CF-OHM-4.7-1/4W-J-T26-MIN		EA	1	NO
2	0R808	Yes	20		6212151354	RES. CF-KOHM-51-1/4W-J-T26-MIN		EA	1	NO
2	0R810	Yes	20		6212139254	RES. CF-KOHM-3.9-1/4W-J-T26-MI		EA	1	NO
2	0R812	Yes	20		6212120354	RES. CF-KOHM-20-1/4W-J-T26-MIN		EA	1	NO
2	0R813	Yes	20		6212122157	RES. CF-OHM-220-1/4W-J-T52-MIN		EA	1	NO
2	0R814	Yes	20		6212147054	RES. CF-OHM-47-1/4W-J-T26-MINI		EA	1	NO
2	0R815	Yes	20		6212110257	RES. CF-KOHM-1-1/4W-J-T52-MINI		EA	1	NO
2	0R817	Yes	20		6212147254	RES. CF-KOHM-4.7-1/4W-J-T26-MI		EA	1	NO
2	0R818	Yes	20		6212151354	RES. CF-KOHM-51-1/4W-J-T26-MIN		EA	1	NO
2	0R819	Yes	20		6212151254	RES. CF-KOHM-5.1-1/4W-J-T26-MI		EA	1	NO
2	0R820	Yes	20		6212110254	RES. CF-KOHM-1-1/4W-J-T26-MINI		EA	1	NO
2	0R823	Yes	20		6212127154	RES. CF-OHM-270-1/4W-J-T26-MIN		EA	1	NO
2	0R824	Yes	20		6212127254	RES. CF-KOHM-2.7-1/4W-J-T26-MI		EA	1	NO
2	0R825	Yes	20		6212110354	RES. CF-KOHM-10-1/4W-J-T26-MIN		EA	1	NO
2	0R826	Yes	20		6212110254	RES. CF-KOHM-1-1/4W-J-T26-MINI		EA	1	NO
2	0R827	Yes	20		6212120254	RES. CF-KOHM-2-1/4W-J-T26-MINI		EA	1	NO
2	0R832	Yes	20		6212151254	RES. CF-KOHM-5.1-1/4W-J-T26-MI		EA	1	NO
2	U1218	No	10		6832121800-03	PCB-POWER BD-PTB-1218-03	8812180000	EA	1	YES
2	ZD801	YES	20		6414180074	DIODE-ZENER-GDZJ18B-T/B--T26--		EA	1	NO

LITE-ON TECHONLOG CORP

XXBOMR1001

BOM LIST BY CKT-ID

Block Number:5113800008 Desc:FUNCTION KEY BD-H15AAR(9)-=-U-4-(C)-ACER Plan_Level:

Category From:

Approve:Both

Report Date:29-APR-2002 15:18

To:

Org:RD

Page: 1 OF 1

Lvl	CKTID	G1	Apr	OP	Item No	Description	Drqwing No	Uom	Quantity	SFty
1	0D600	Yes	10		6418004703	LED-LTL-58EDJ-YELLOW/GREEN-BUL		EA	1	NO
1	0GND1	Yes	10		6714010551-31	HARNESS--1P-44mm-BD144+HSTUB--		EA	1.00000	NO
1	0P601	Yes	10		6613080020	PLUG-8P-2.0mm-A2001WR2-08-JWT		EA	1.00000	NO
1	0S601	YES	10		6853001100	SWITCH-TACT-SKHHAK2510-UE-BLK-		EA	1	YES
1	0S602	YES	10		6853001100	SWITCH-TACT-SKHHAK2510-UE-BLK-		EA	1	YES
1	0S603	YES	10		6853001100	SWITCH-TACT-SKHHAK2510-UE-BLK-		EA	1	YES
1	0S604	YES	10		6853001100	SWITCH-TACT-SKHHAK2510-UE-BLK-		EA	1	YES
1	0S605	YES	10		6853001100	SWITCH-TACT-SKHHAK2510-UE-BLK-		EA	1	YES
1	9N005	No	10		1250000100	OIL HOUSE-SOLDER BAR ADEPTO S6		I	.004	NO
1	9N010	No	10		1250000130	WIRE-SOLDER-ADEPO S60A--		kg	.00001	NO
1	9N015	No	10		1250000143	WIRE-SOLDER-SUPER--		EA	.0004	NO
1	9N025	No	10		1250000221	FLUX-RF800T3-LONCO		GL	.002	NO
1	9N030	No	10		1250000321	OIL HOUSE-THINNER LONCO RF800A		GL	.0005	NO
1	9N066	No	10		1250200223	OIL HOUSE-PREVENTOR 500--		EA	.00005	NO
1	9N080	Yes	10		1240000423	TAPE--50Mx508mmx0055mm-PCK-		RL	.000054	NO
1	00000	No	10		5713800008	AI-FUNCTION KEY BD-H15AAR(9)-=		EA	1	NO
2	0C601	Yes	10		6341410485	CAP. MC-uF-0.1-50V-Z-Y5V-T-RD2		EA	1.0000000	NO
2	0C602	Yes	10		6341410485	CAP. MC-uF-0.1-50V-Z-Y5V-T-RD2		EA	1.0000000	NO
2	0C603	Yes	10		6341410485	CAP. MC-uF-0.1-50V-Z-Y5V-T-RD2		EA	1.0000000	NO
2	0C604	Yes	10		6341410485	CAP. MC-uF-0.1-50V-Z-Y5V-T-RD2		EA	1.0000000	NO
2	0C605	Yes	10		6341410485	CAP. MC-uF-0.1-50V-Z-Y5V-T-RD2		EA	1.0000000	NO
2	U1246	No	10		6832124600-01	PCB-FUNCTION KEY BD-PTB-1246-R		EA	1.0000000	YES

acer