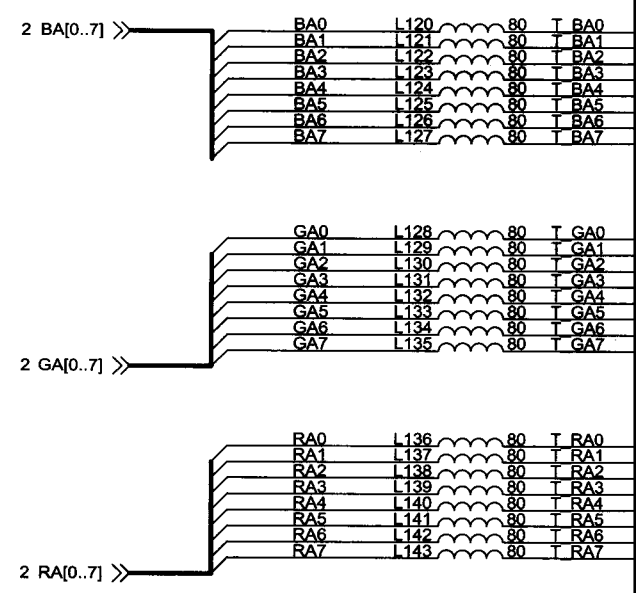
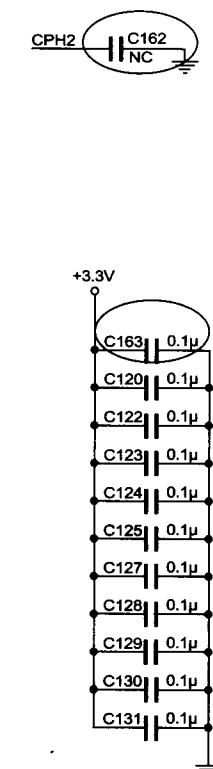
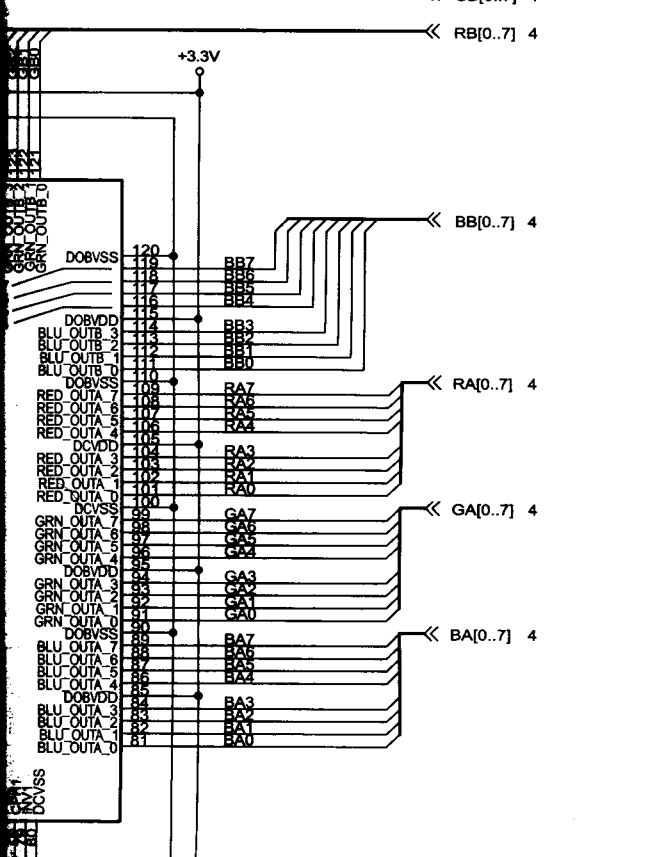
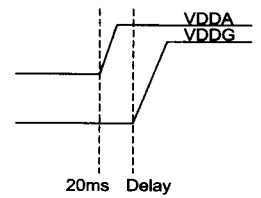
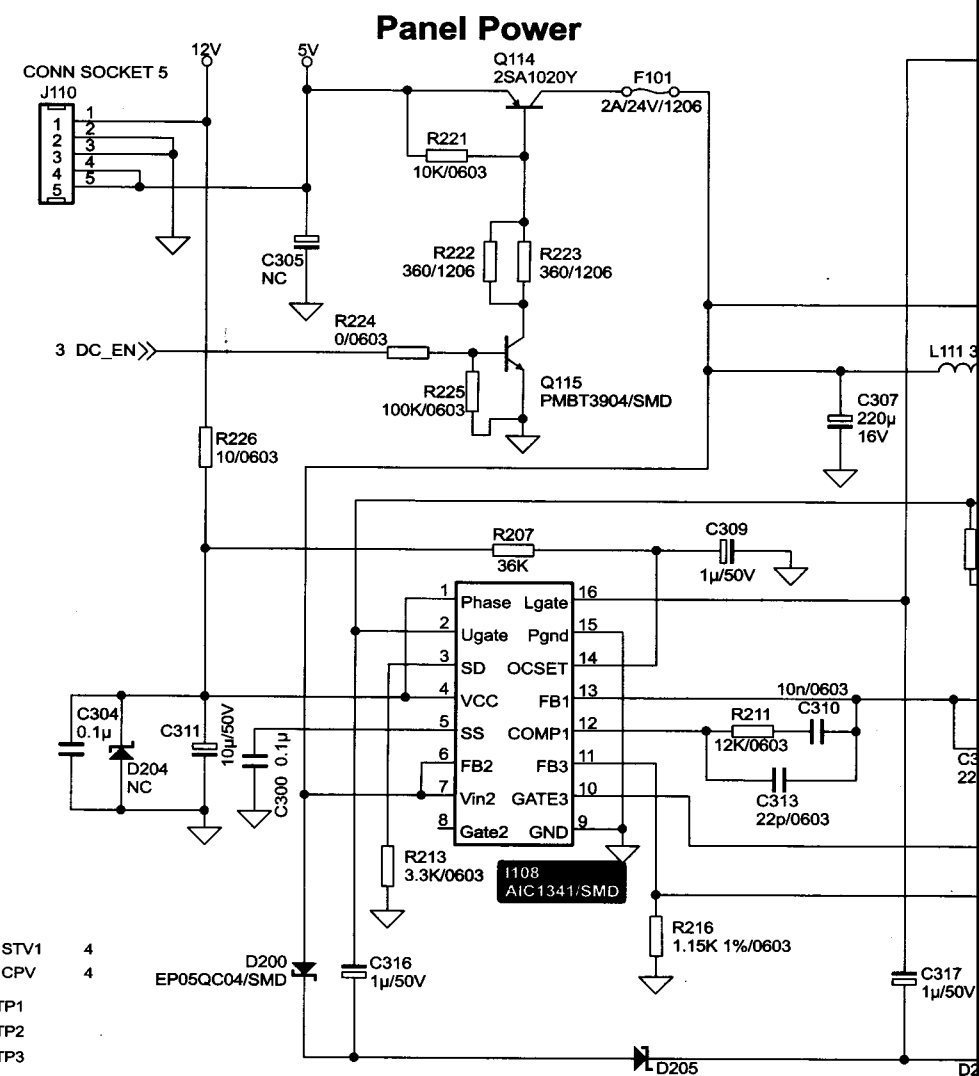
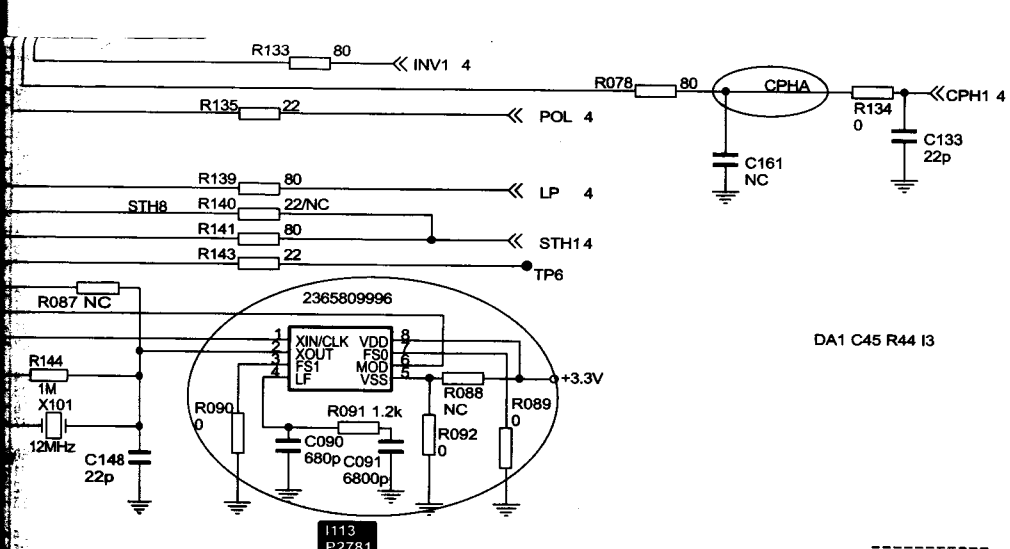


ONIKI
oniki.com.pl



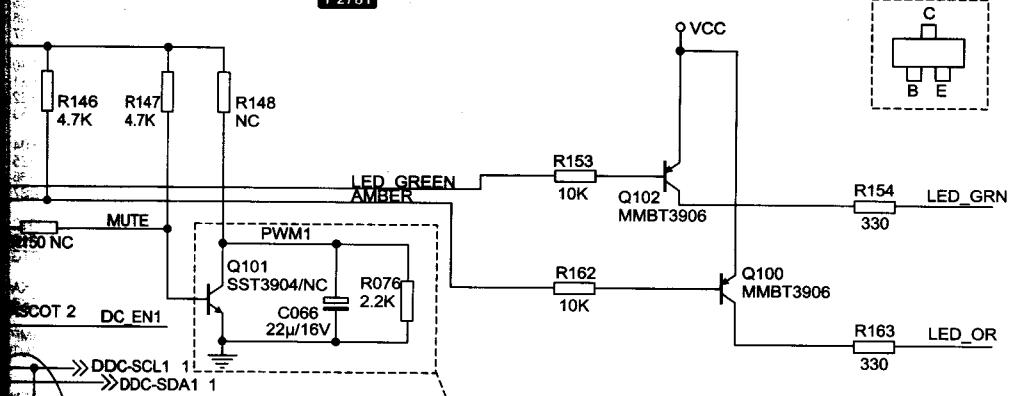
BB0 L144 80 T BB0



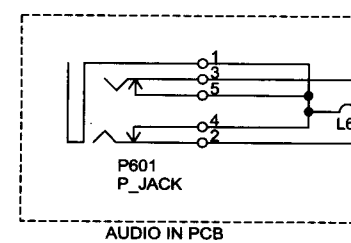
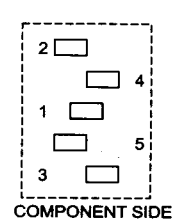
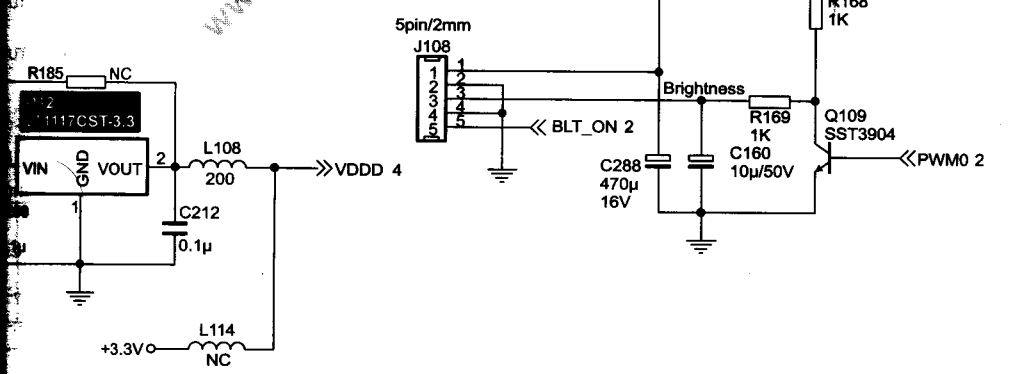
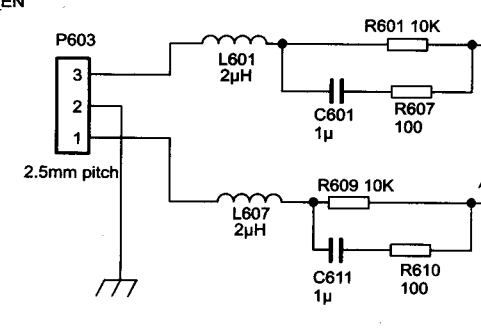
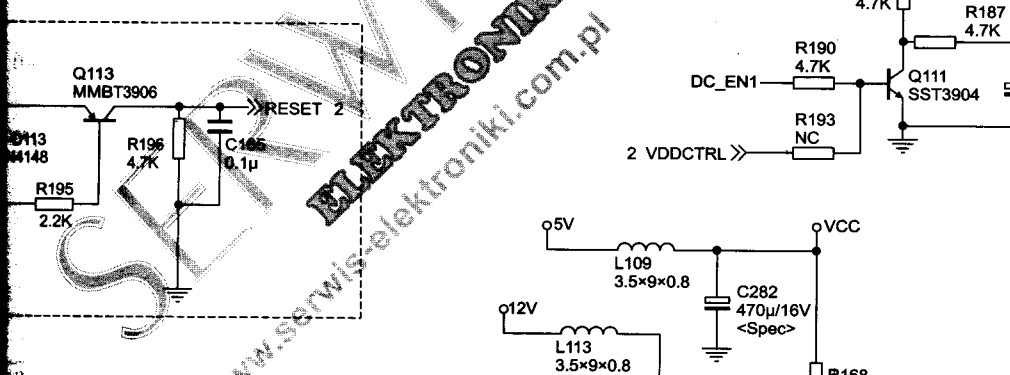
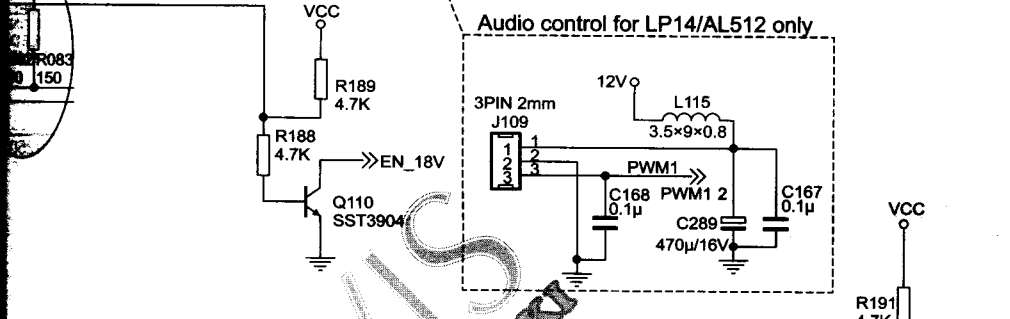
BB2	L146	80	T	BB2
BB3	L147	80	T	BB3
BB4	L148	80	T	BB4
BB5	L149	80	T	BB5
BB6	L150	80	T	BB6
BB7	L151	80	T	BB7

GB0	L152	80	T	GB0
GB1	L153	80	T	GB1
GB2	L154	80	T	GB2
GB3	L155	80	T	GB3
GB4	L156	80	T	GB4
GB5	L157	80	T	GB5
GB6	L158	80	T	GB6
GB7	L159	80	T	GB7

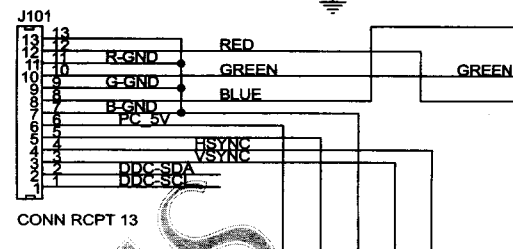
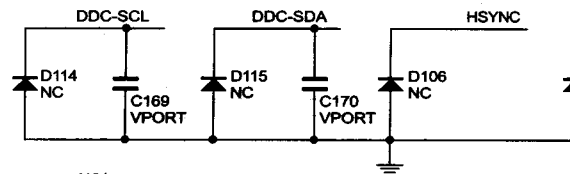
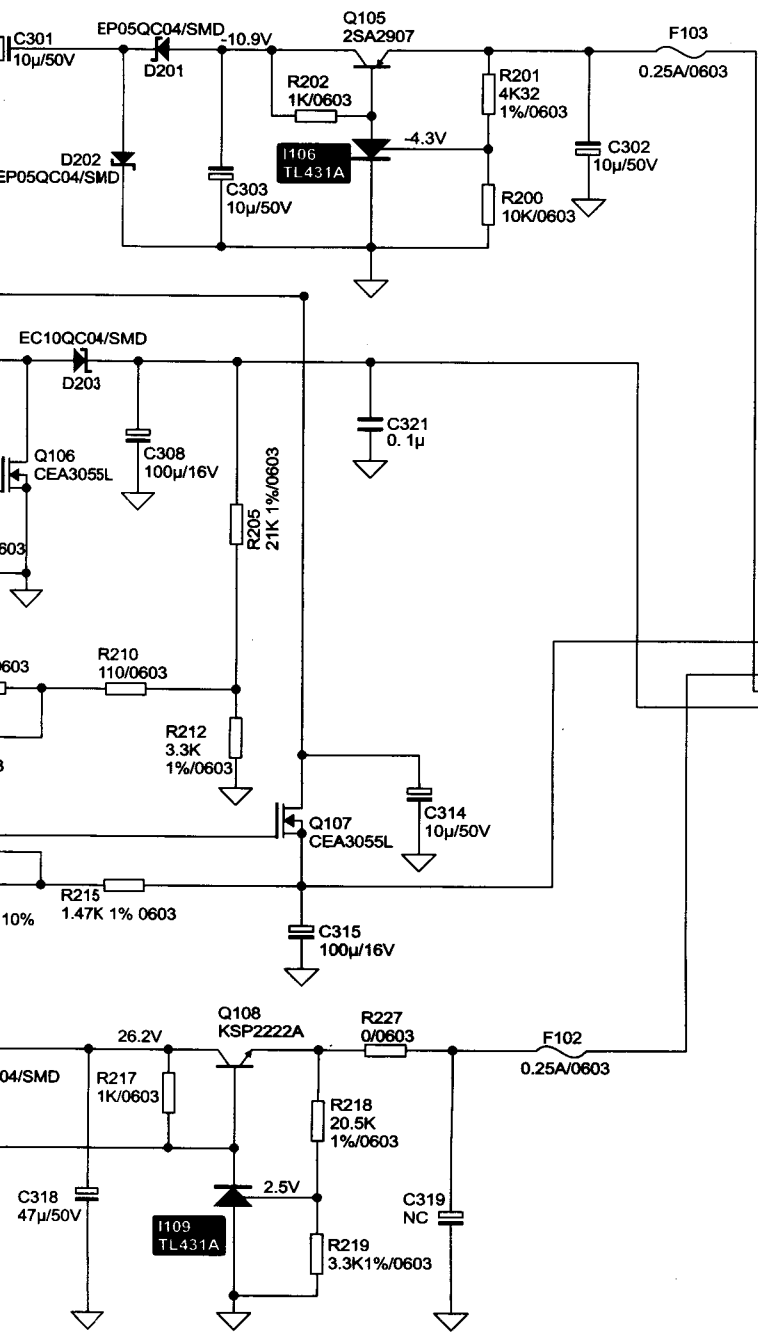
RB0	L160	80	T	RB0
RB1	L161	80	T	RB1
RB2	L162	80	T	RB2
RB3	L163	80	T	RB3
RB4	L164	80	T	RB4
RB5	L165	80	T	RB5
RB6	L166	80	T	RB6
RB7	L167	80	T	RB7



Audio control for LP14/AL512 only

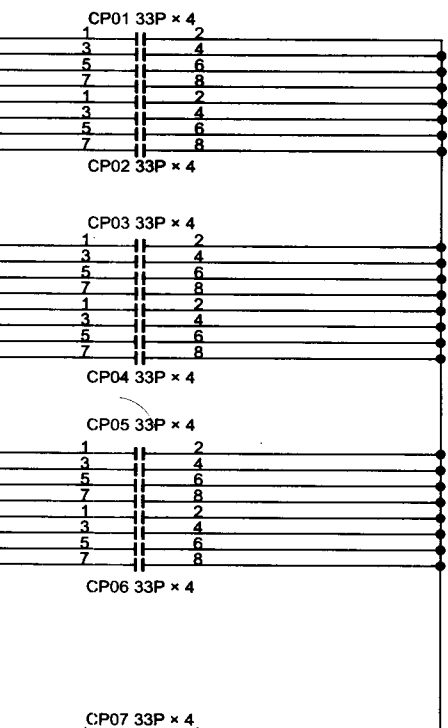
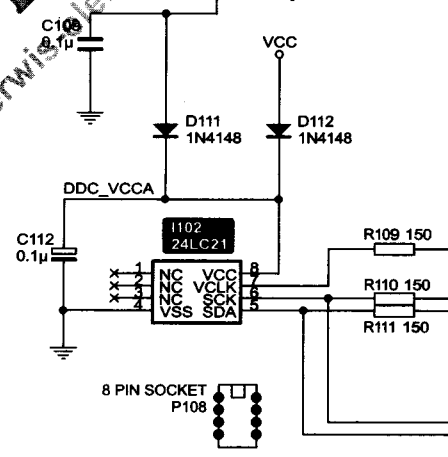


www.servis-elektroniki.com.pl

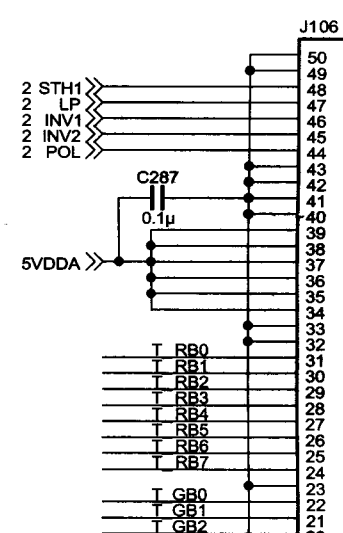
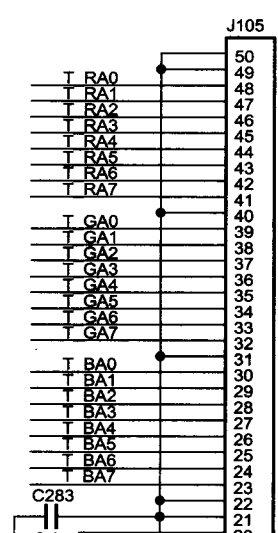


VCOM 3.6V
 7.6mA VDDG 18V
 VEEG -6V
 VDDA 9.2V

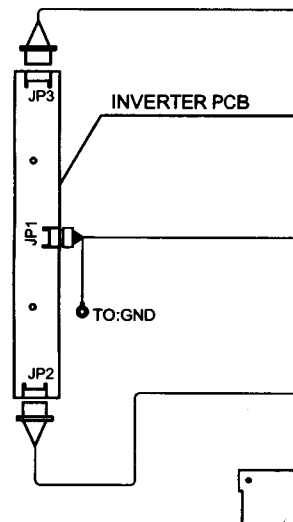
SERWIS
 www.serwis-elektroniki.com.pl
 ELEKTRONIKI



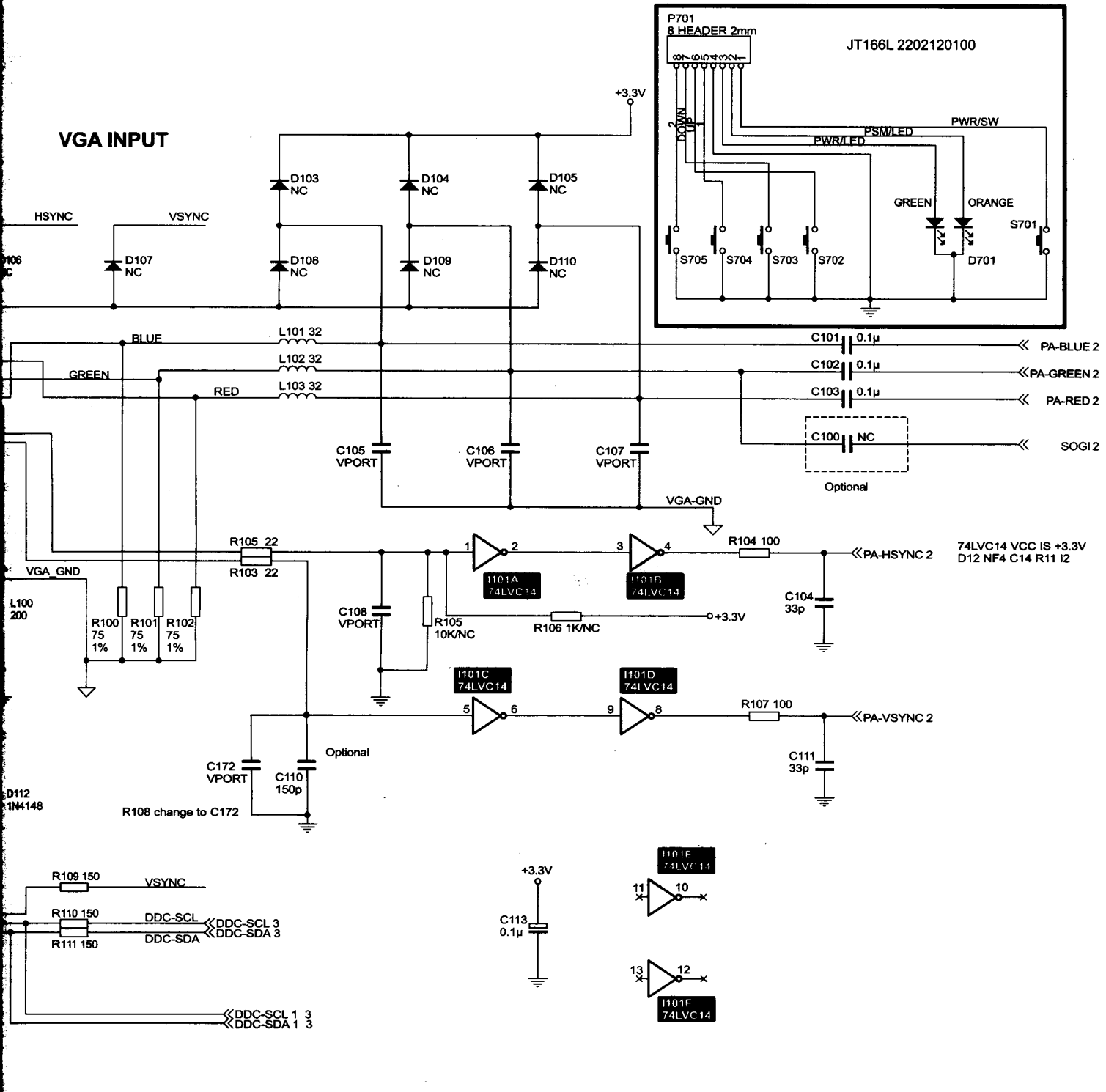
OUTPUT CONNECTOR



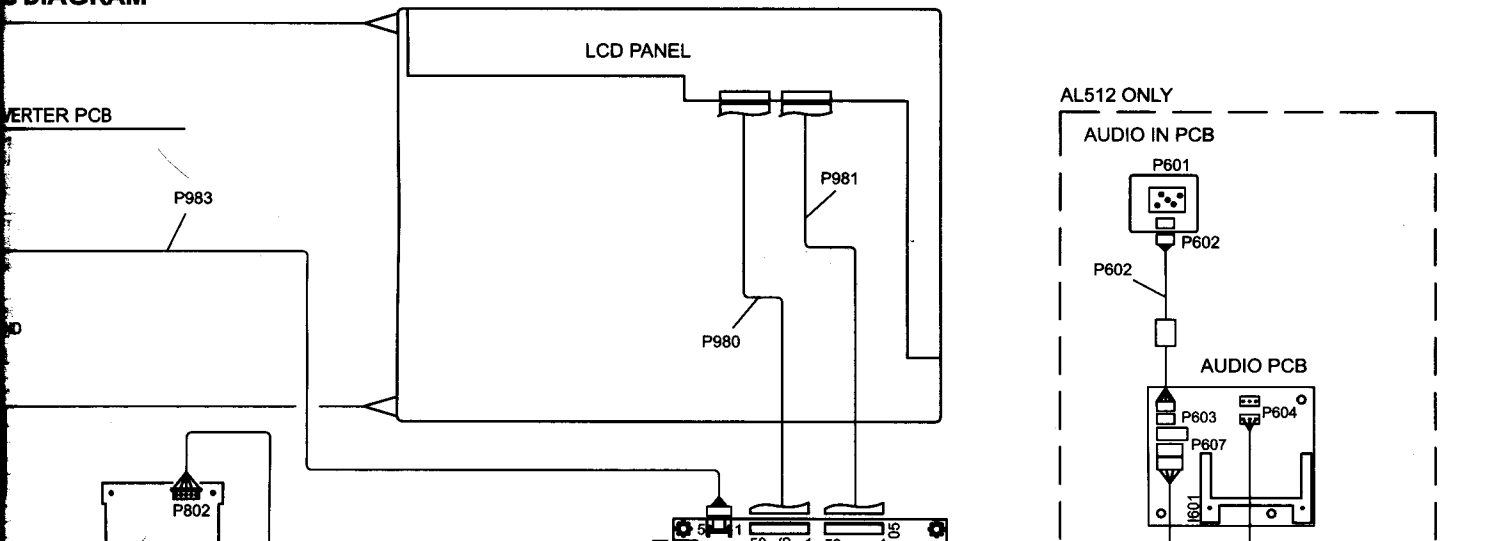
WIRING DIAGRAM

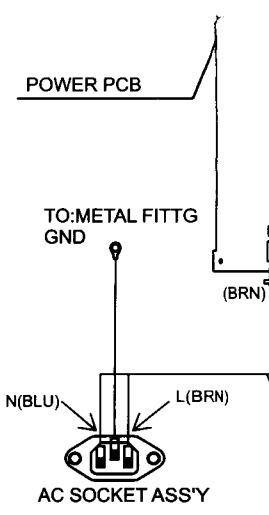
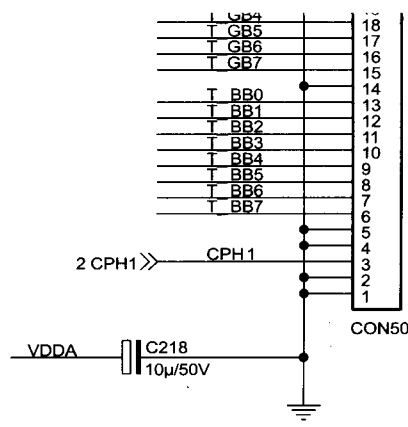
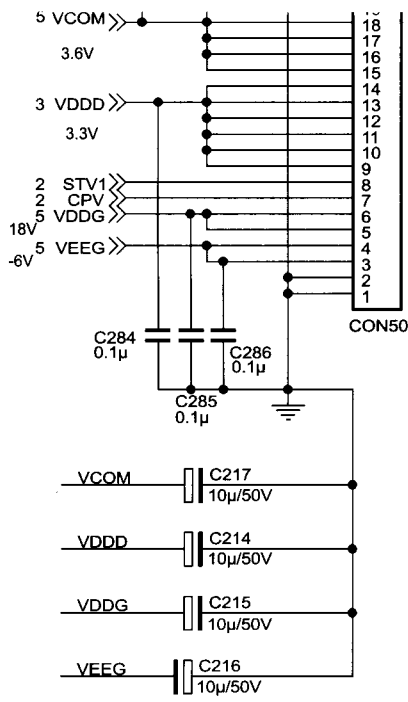
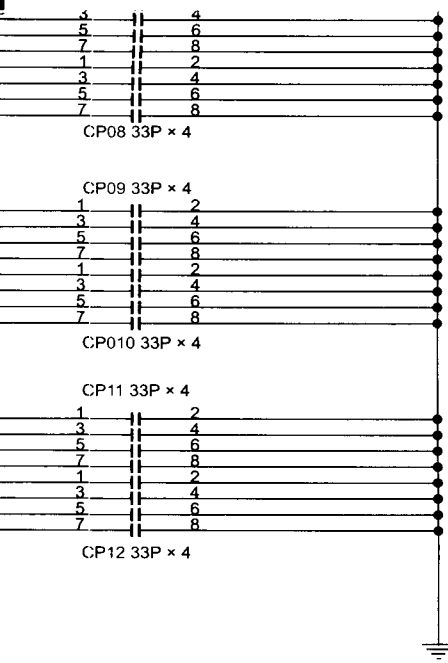


VGA INPUT

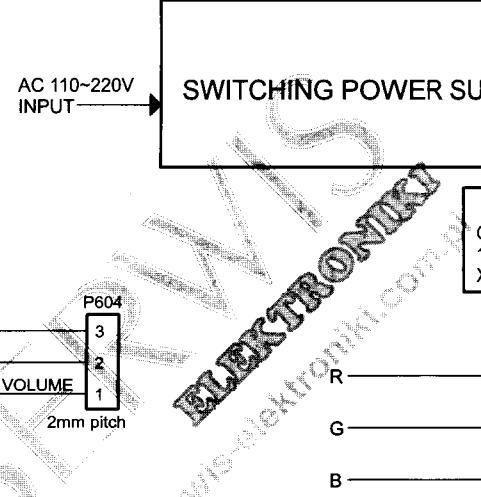


PCB DIAGRAM

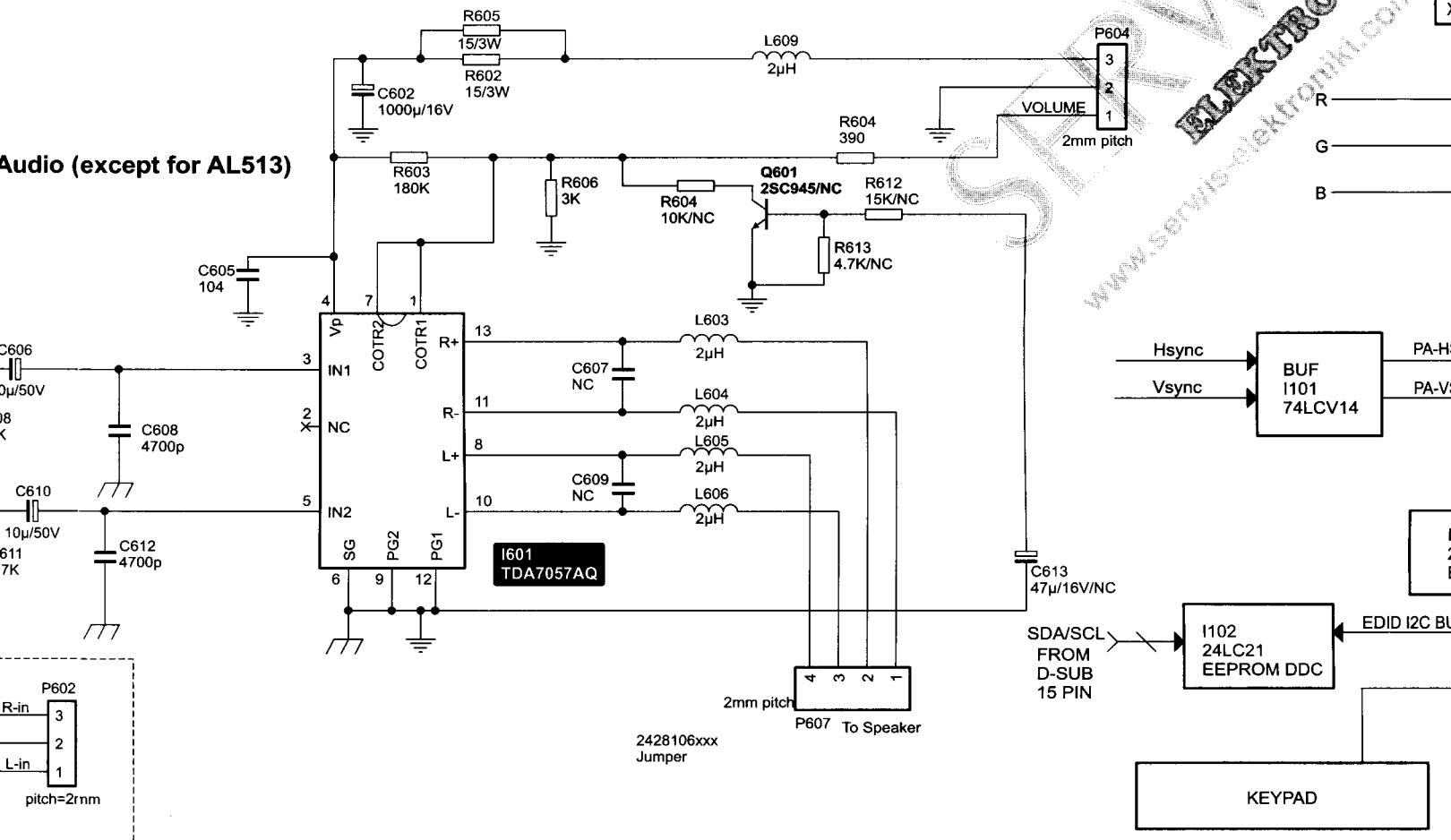


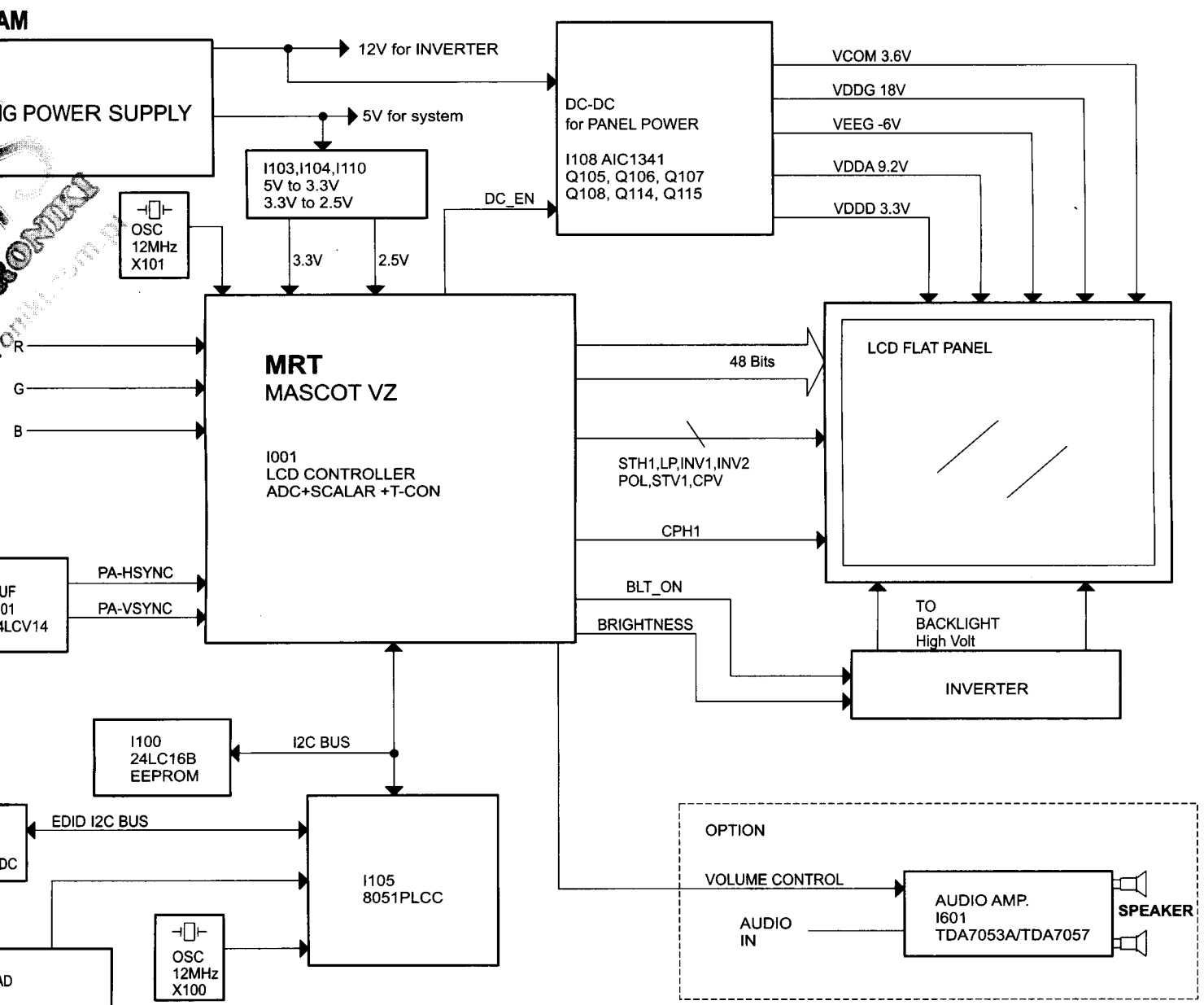
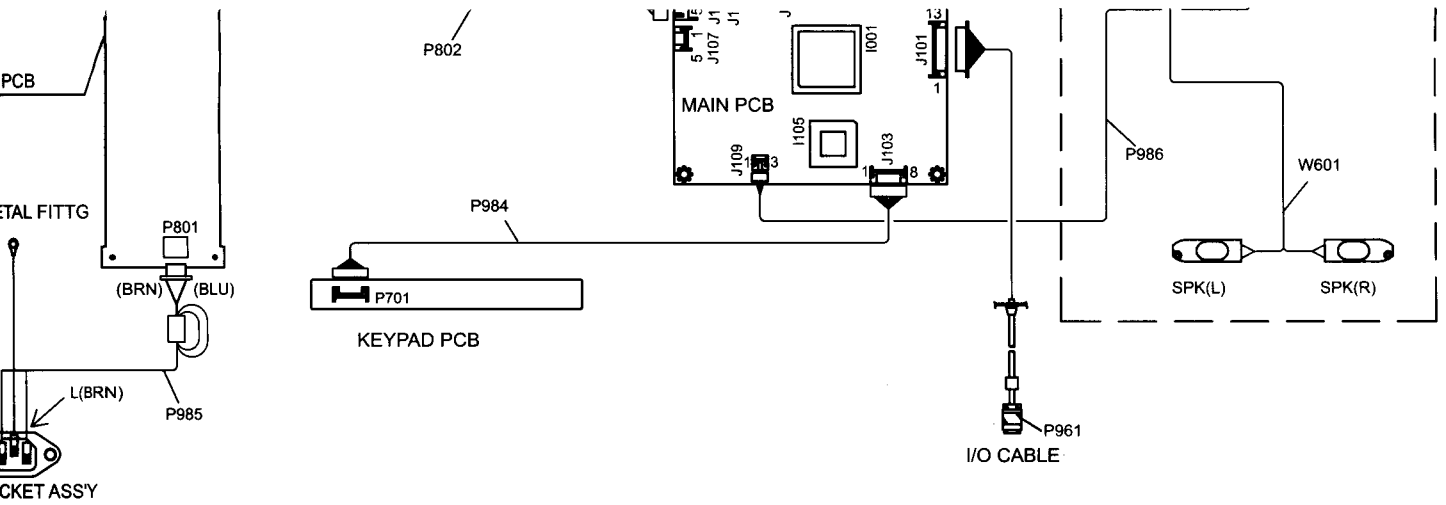


BLOCK DIAGRAM



Audio (except for AL513)





W_SE7/2006