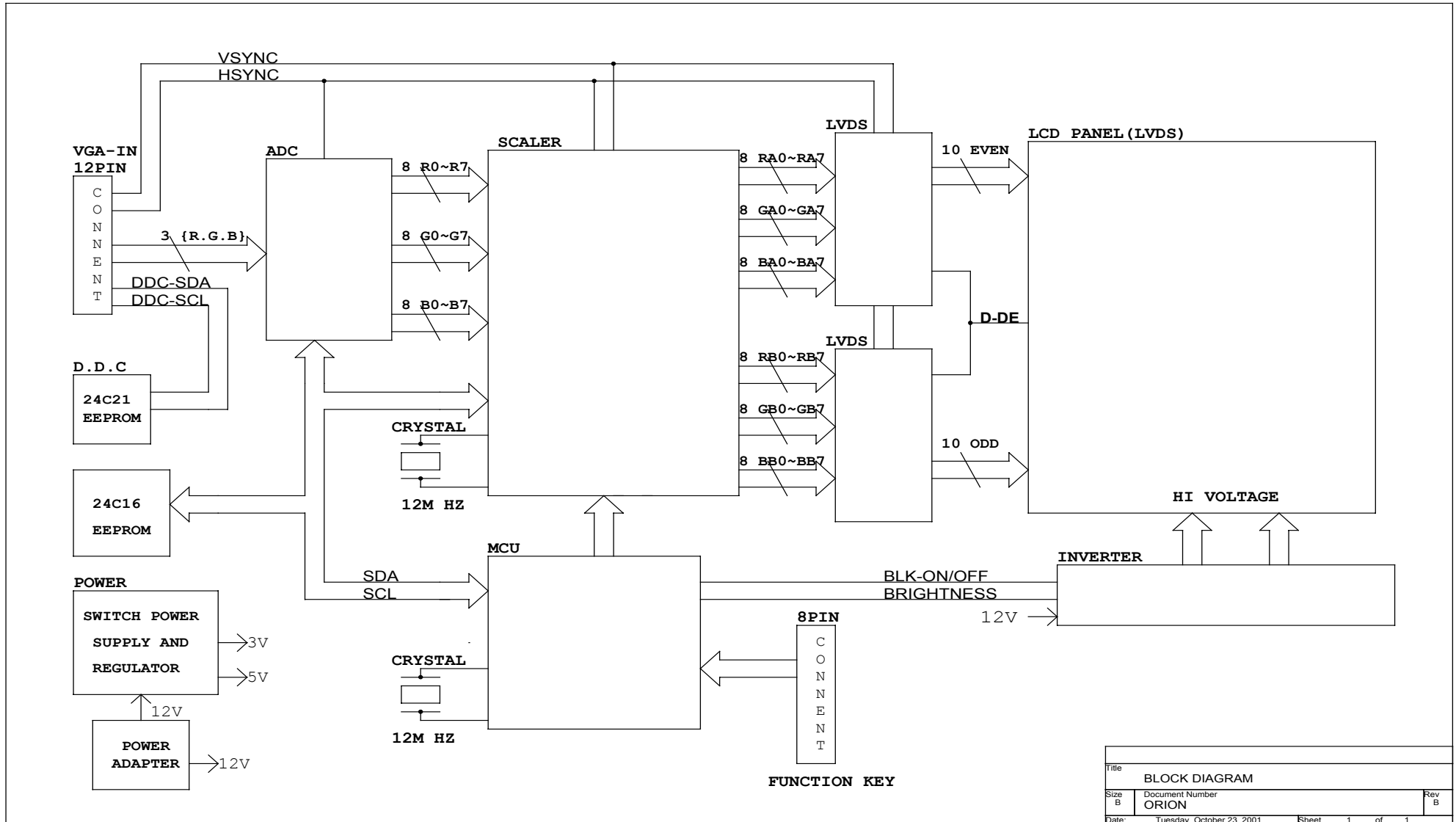
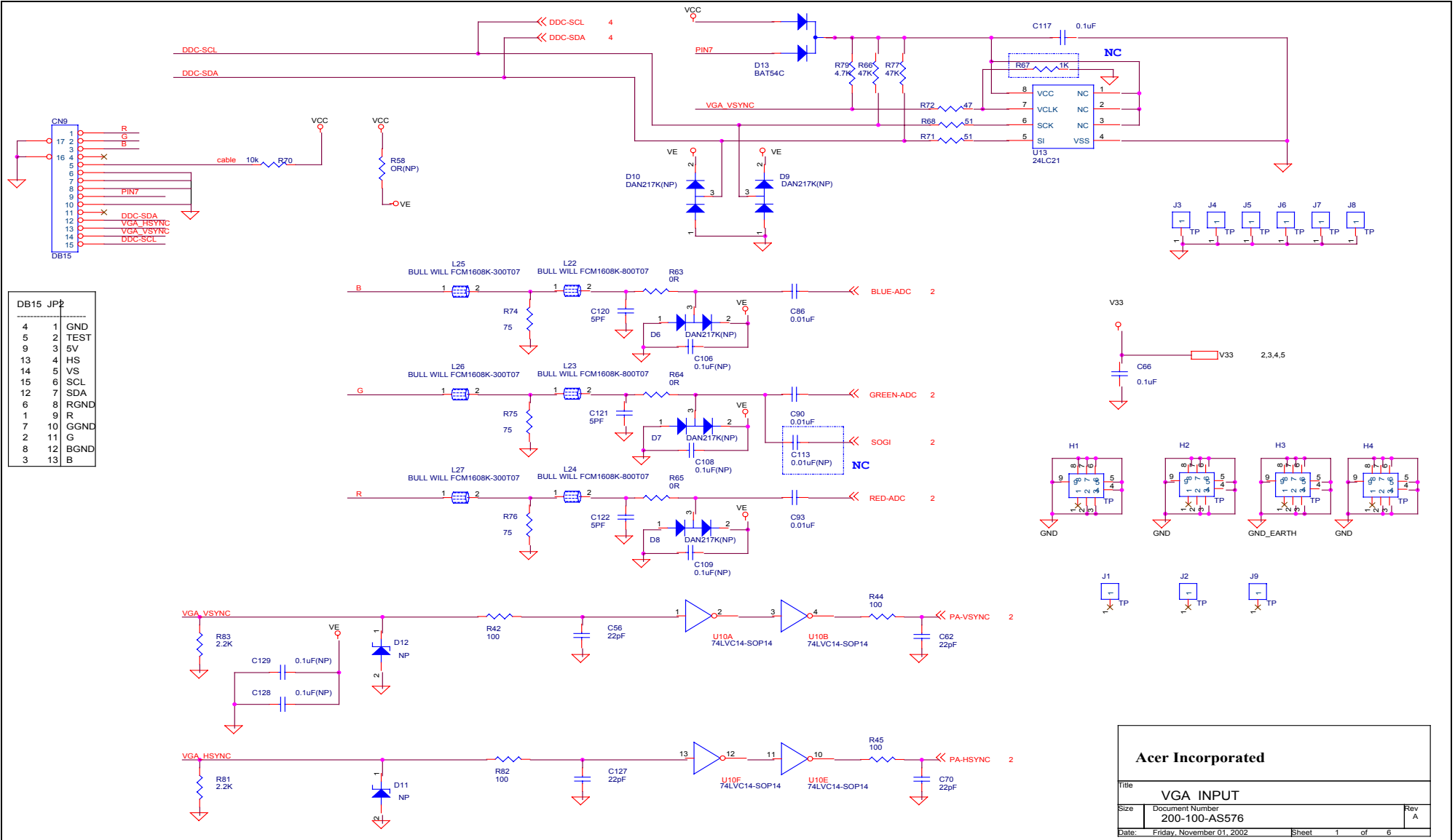


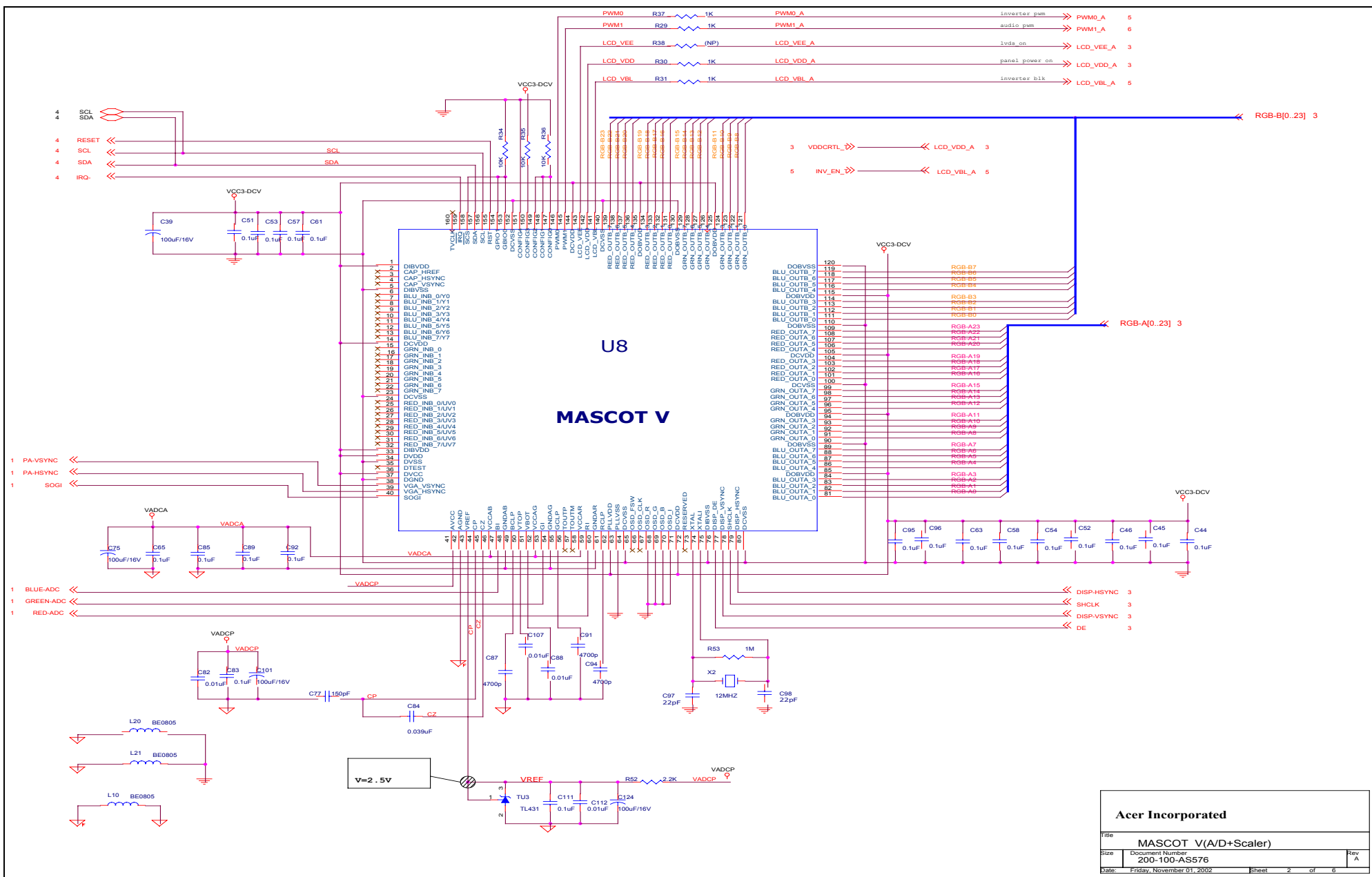
I. BLOCK DIAGRAM



Title		
BLOCK DIAGRAM		
Size	Document Number	Rev
B	ORION	B
Date:	Tuesday, October 23, 2001	Sheet 1 of 1

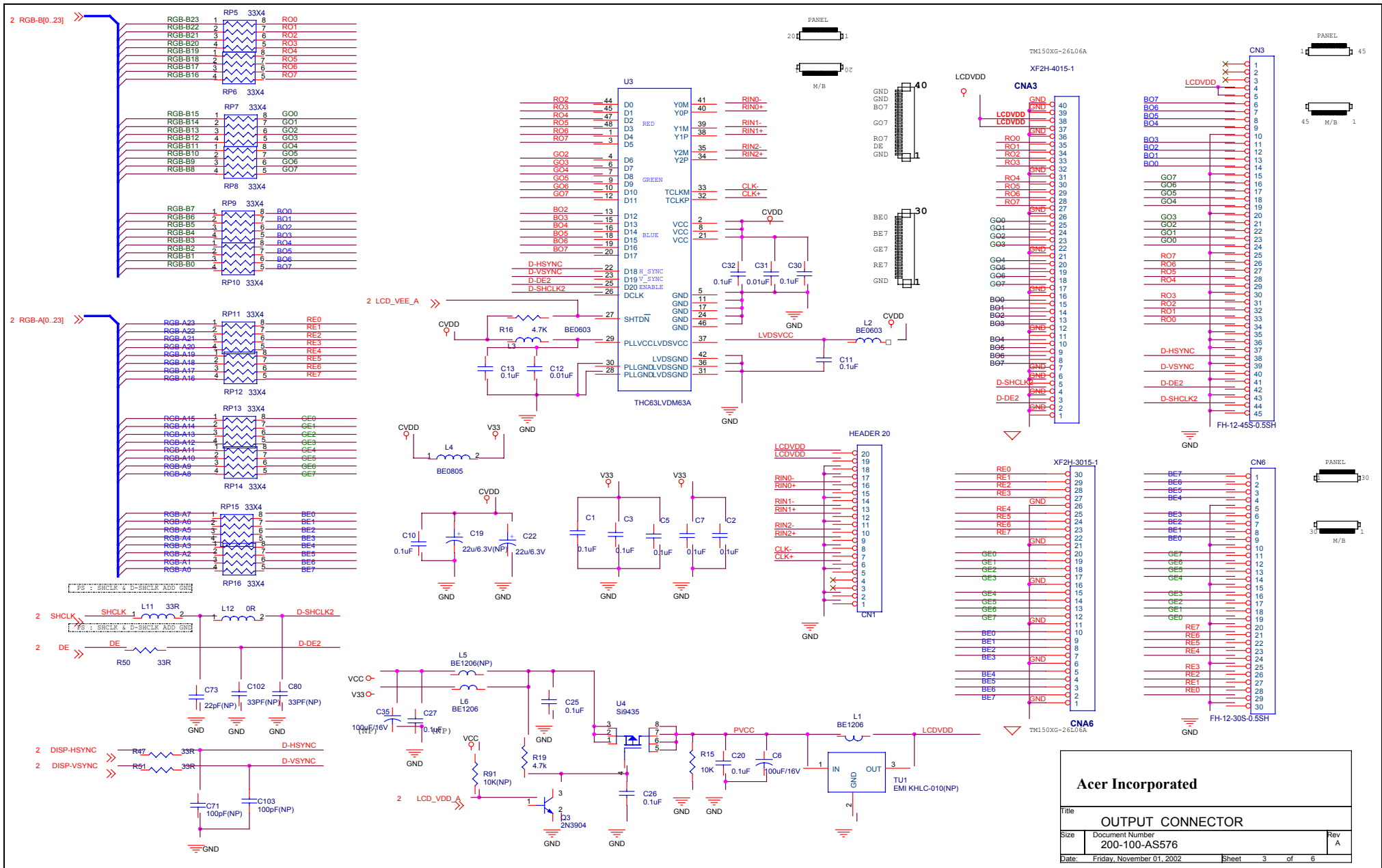
J. SCHEMATIC DIAGRAM



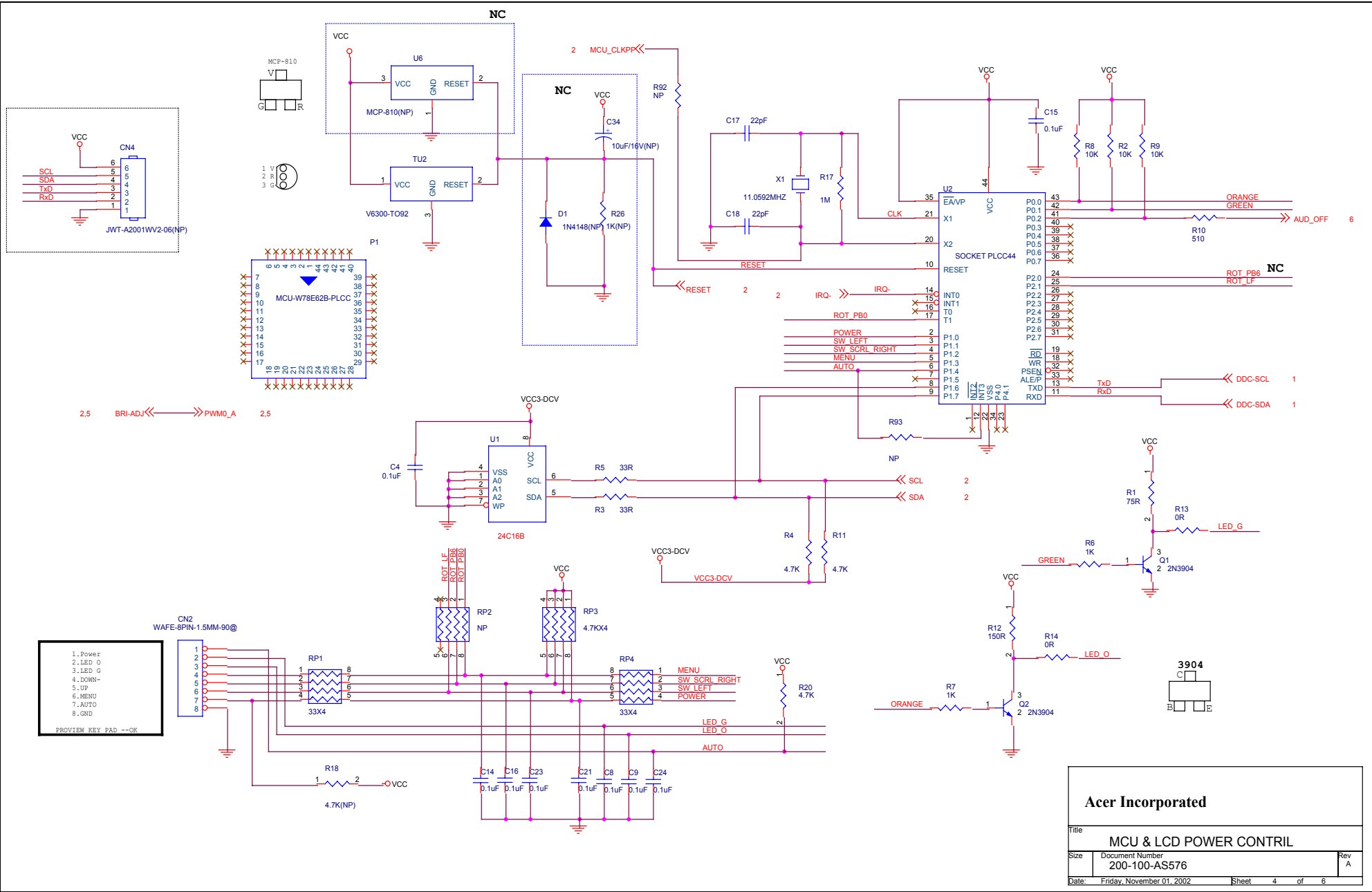


Acer Incorporated

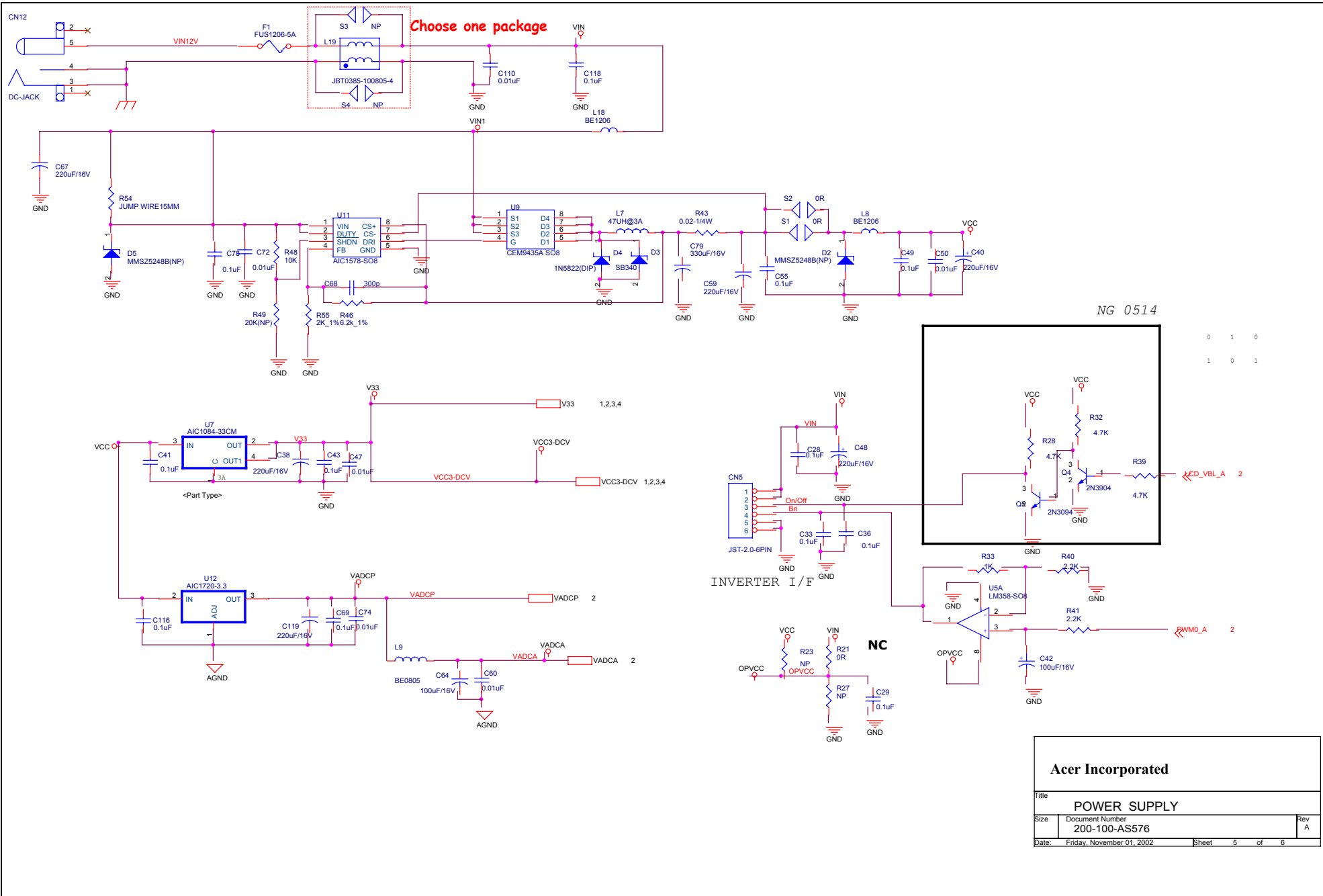
Title: MASCOT V(A/D+Scaler)		
Size:	Document Number: 200-100-AS576	Rev: A
Date: Friday, November 01, 2002	Sheet: 2	of: 6



Acer Incorporated		
Title		
OUTPUT CONNECTOR		
Size	Document Number	Rev
	200-100-AS576	A
Date:	Friday, November 01, 2002	Sheet 3 of 6

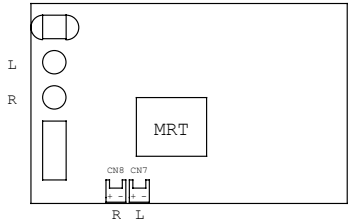
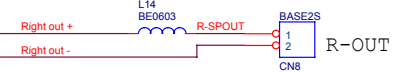
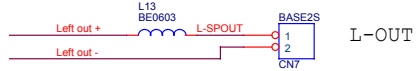
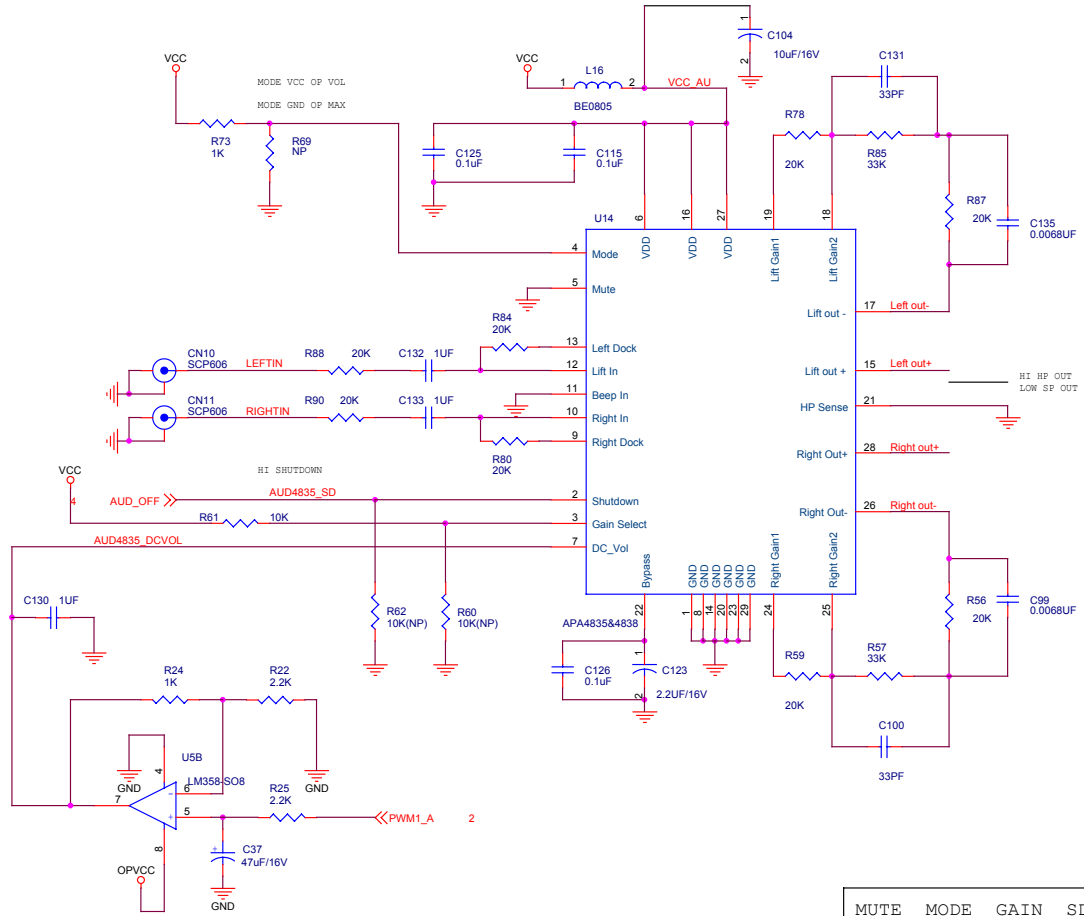


Acer Incorporated		
Title MCU & LCD POWER CONTRIL		
Size	Document Number 200-100-AS576	Rev A
Date:	Friday, November 01, 2002	Sheet 4 of 6



Acer Incorporated

Title		
POWER SUPPLY		
Size	Document Number	Rev
	200-100-AS576	A
Date:	Friday, November 01, 2002	Sheet 5 of 6



DEL L15
DEL L17
DEL C134
DEL R86
DEL R89

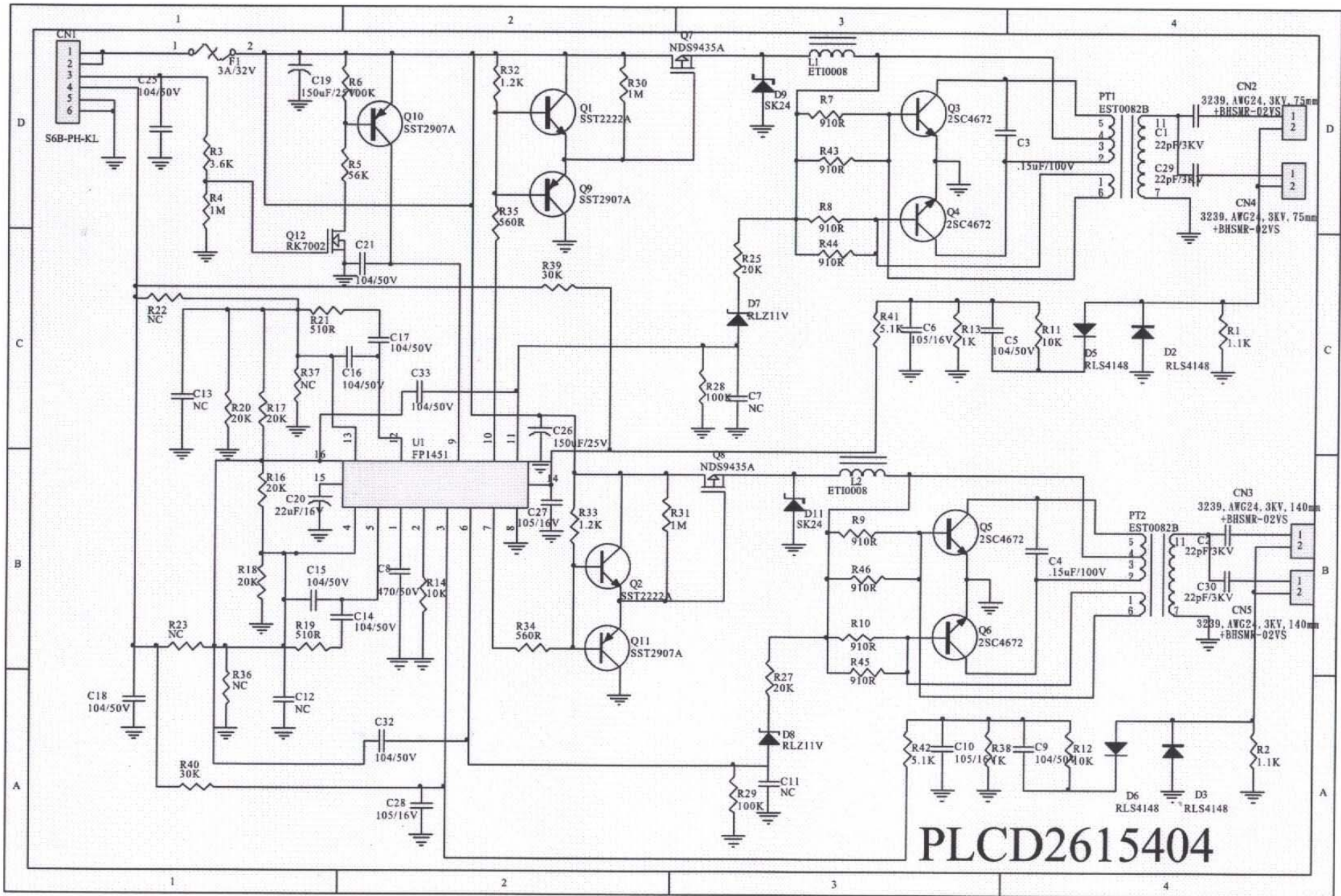
MUTE	MODE	GAIN	SDWN	HPS
0	1	1	0	0

Acer Incorporated

Title: **AUDIO 4835**

Size	Document Number	Rev
	200-100-AS576	A

Date: Friday, November 01, 2002 Sheet 6 of 6



Memu