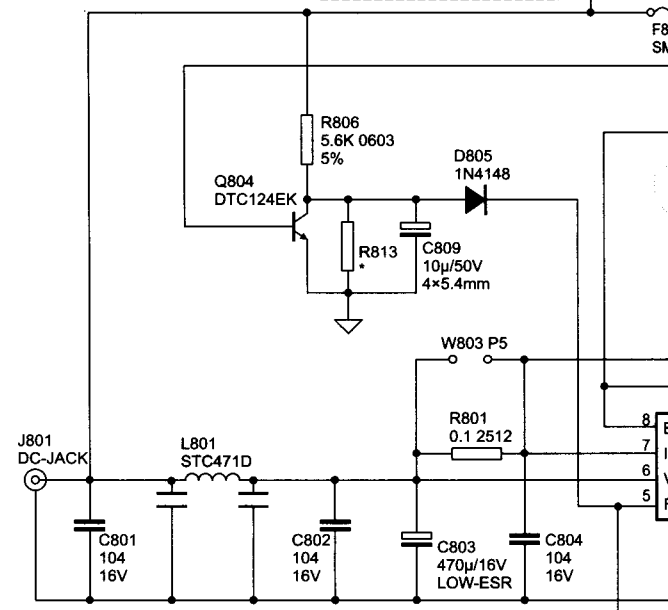
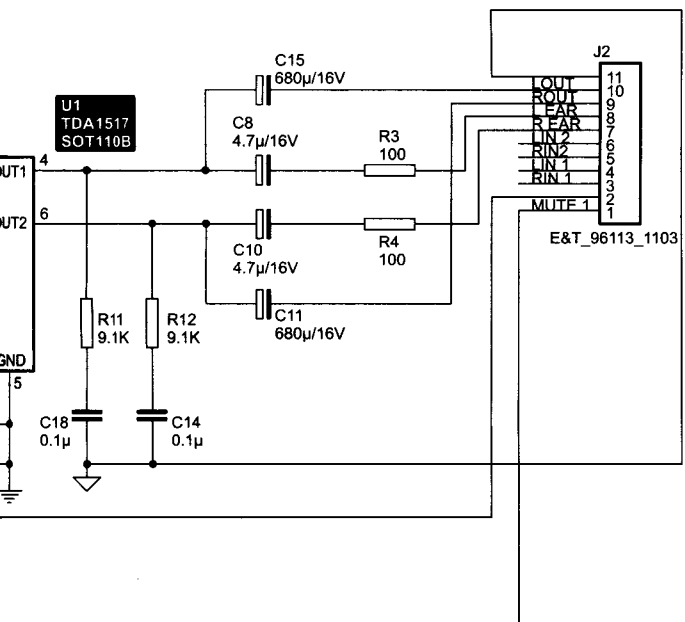
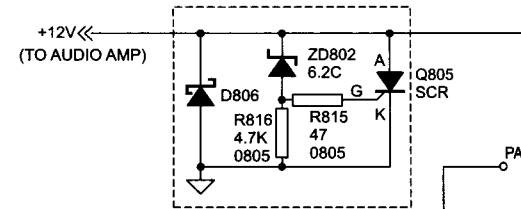
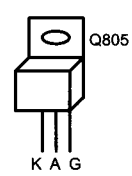


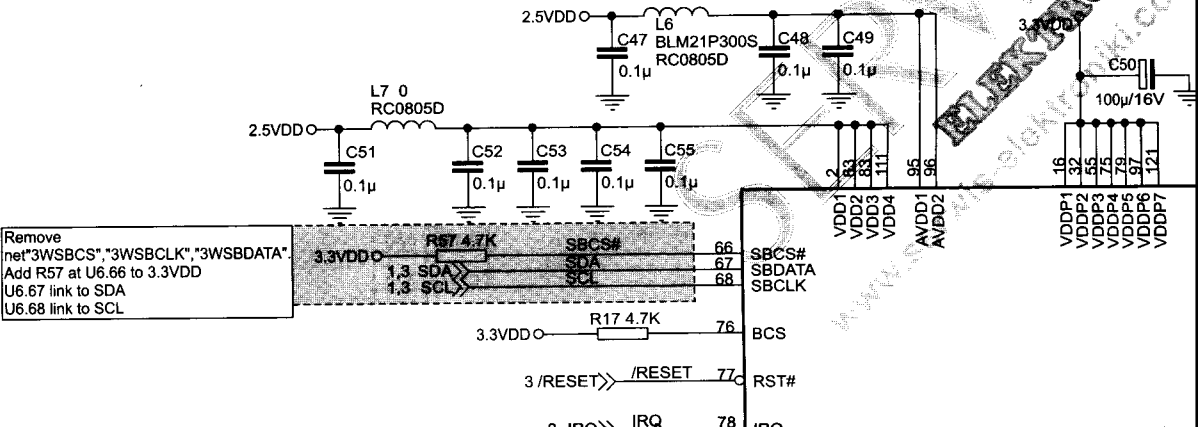
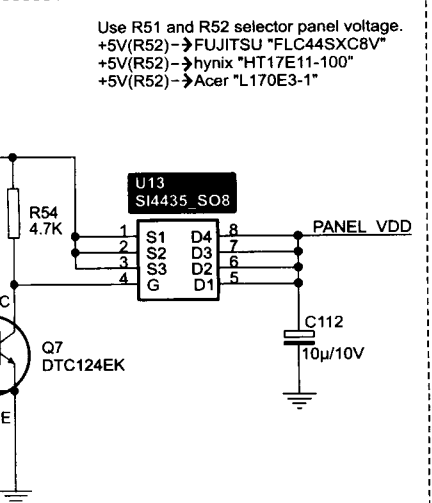
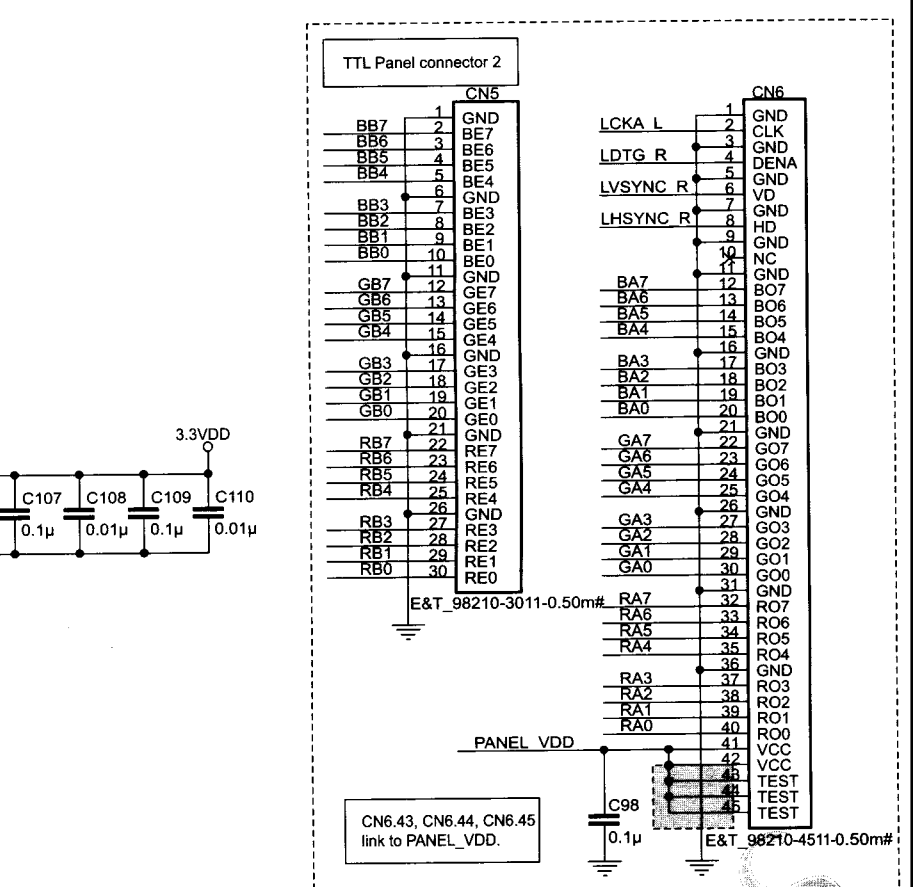
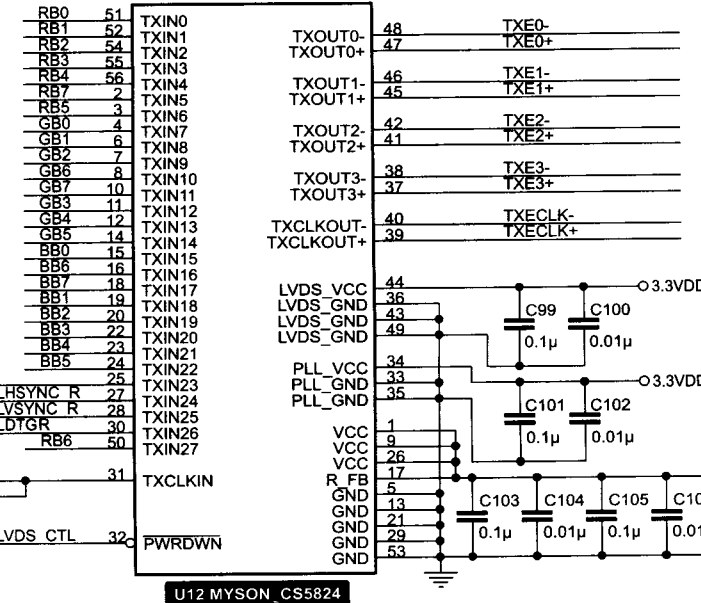
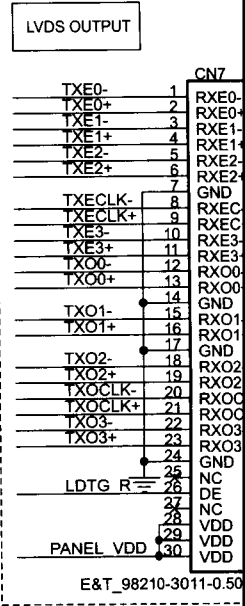
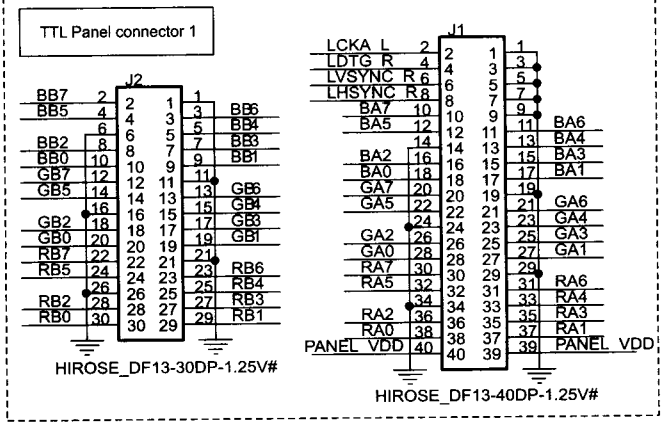
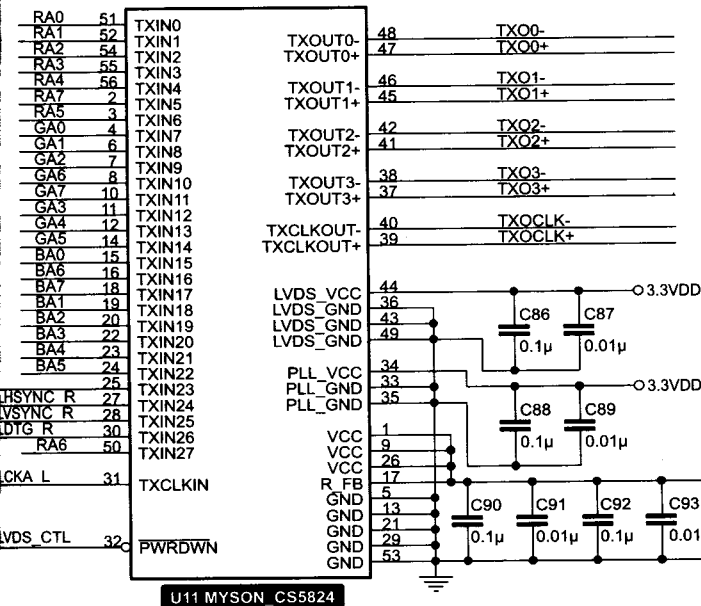
ON << BLON 2

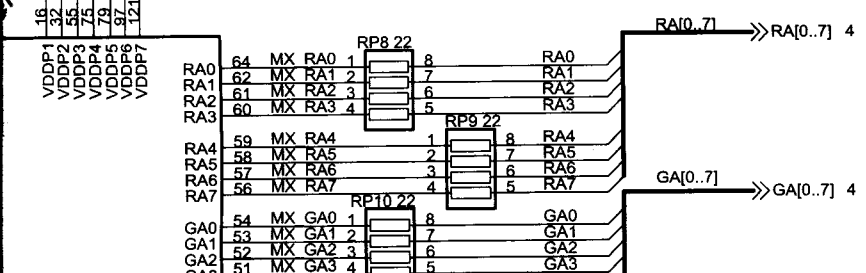
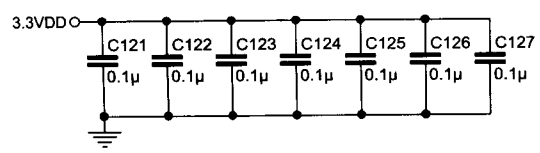
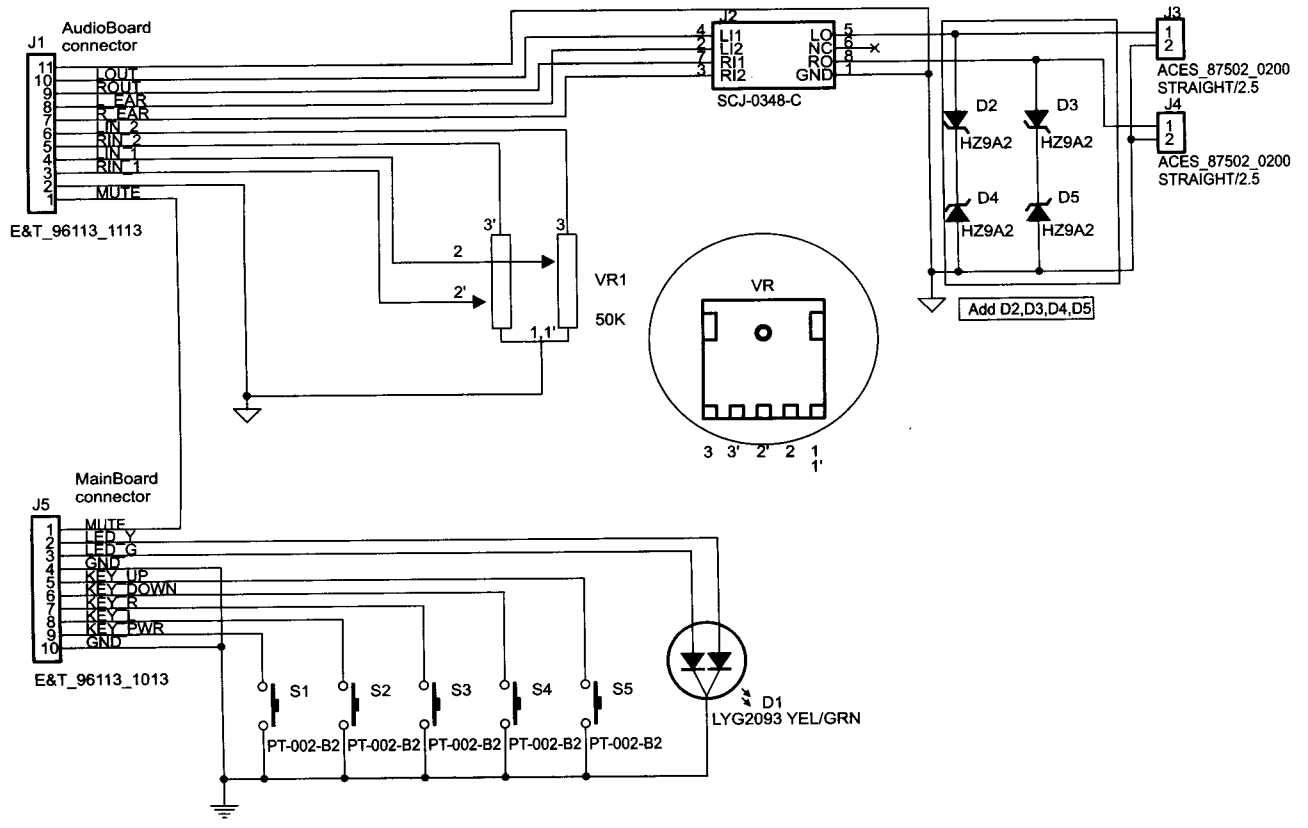
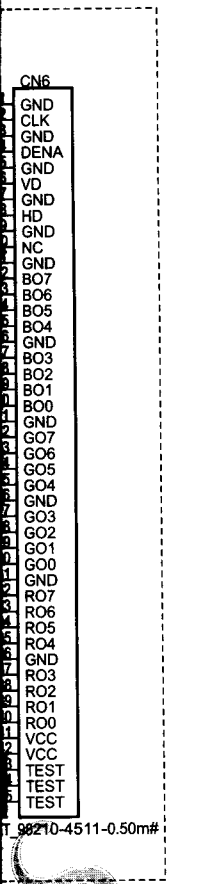
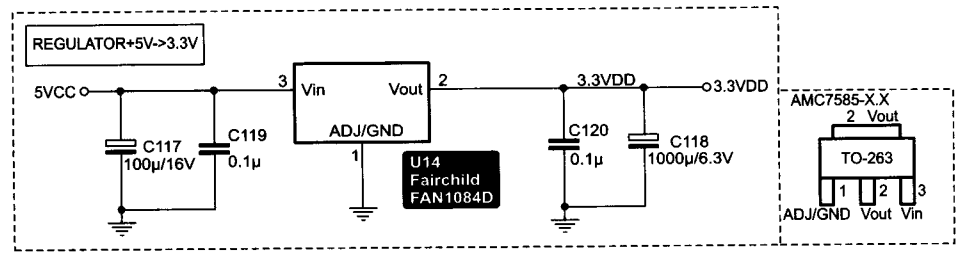
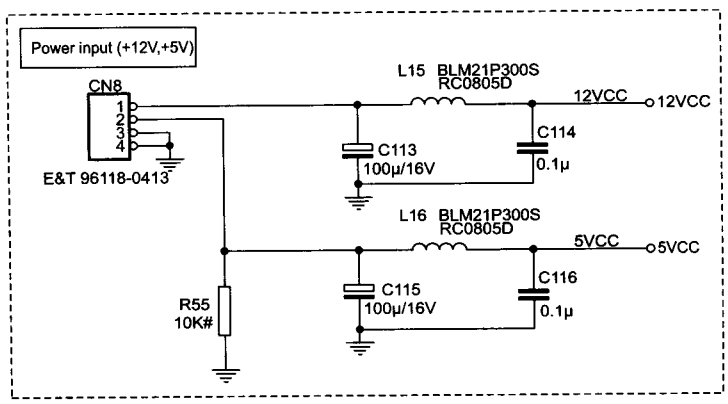
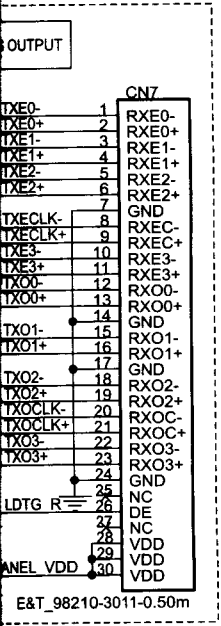
EK

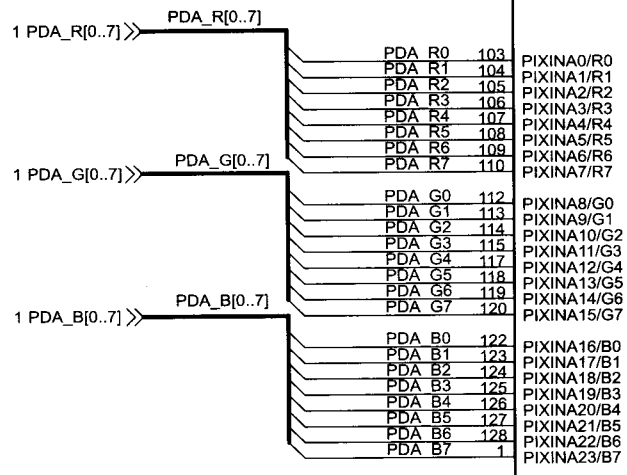
<< +12V  
(TO DC-DC)

Q804

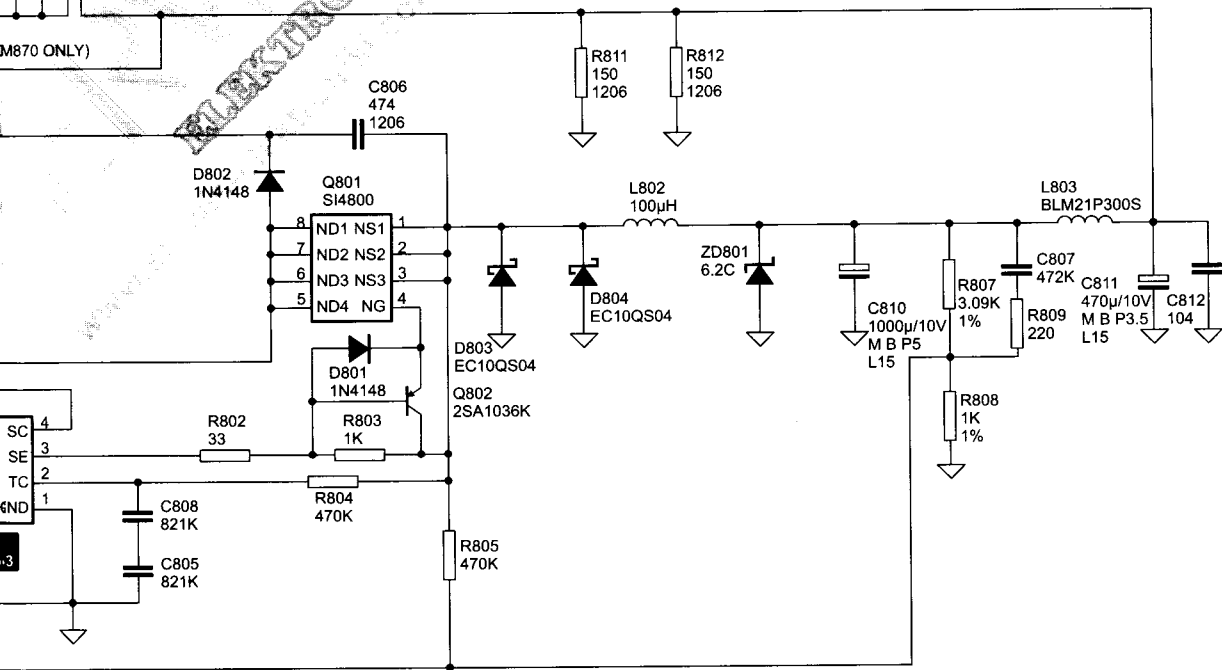
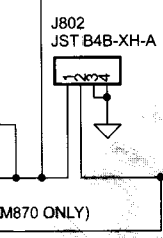
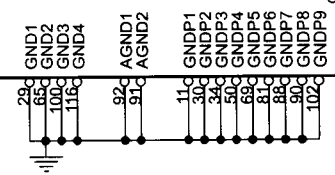
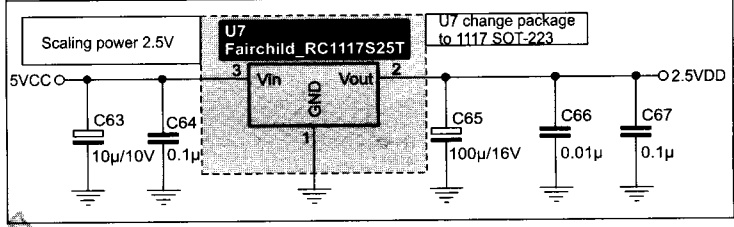
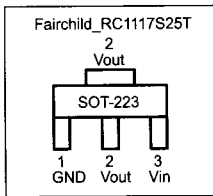
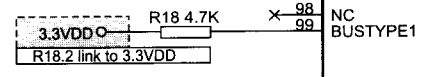
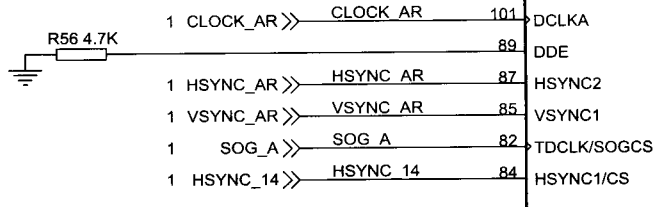




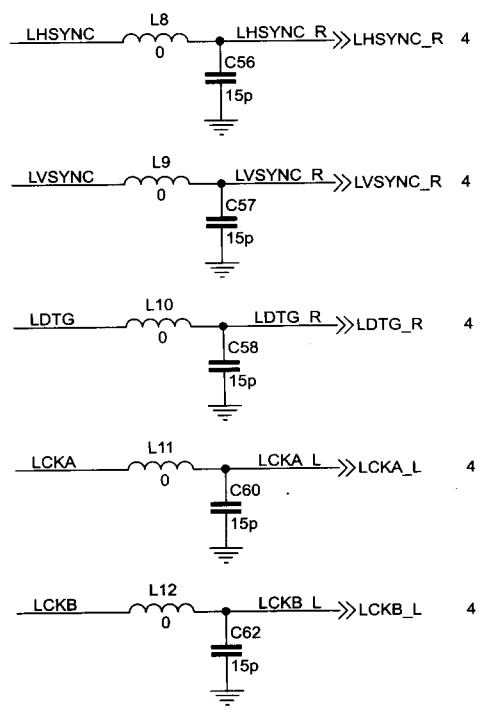
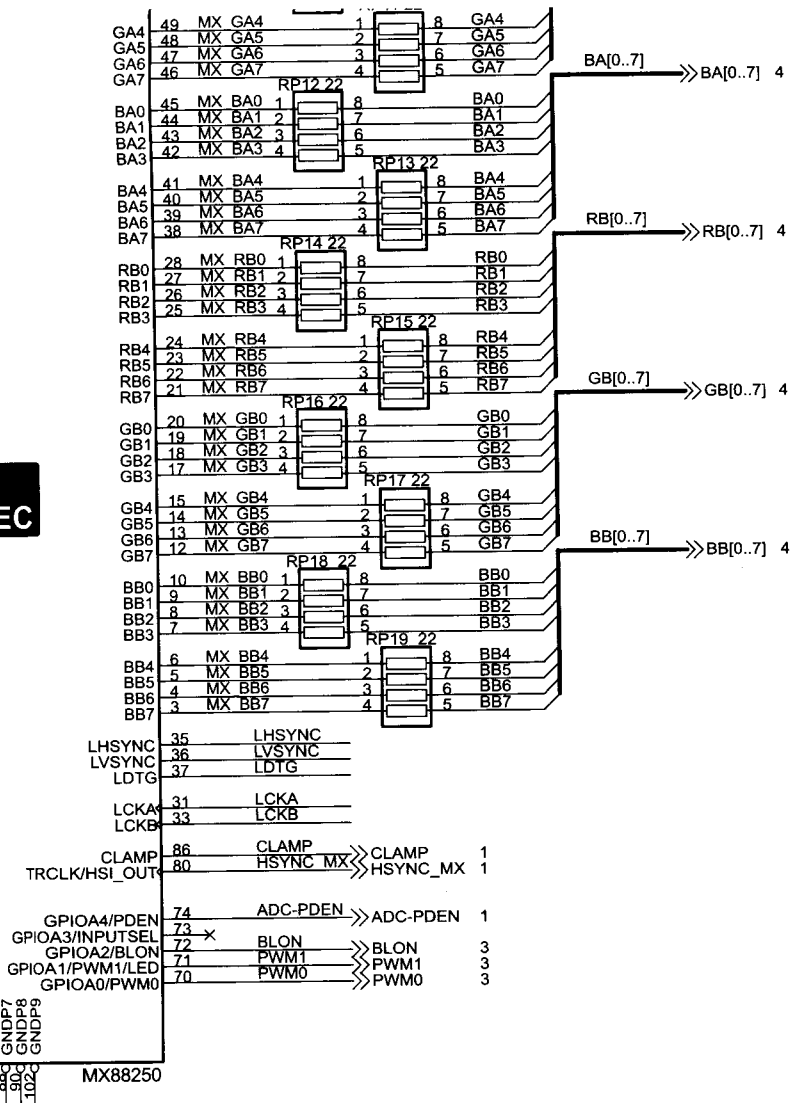




**U6**  
**MX88L250EC**  
128PINS



250EC  
NS



W\_SE7/2006