

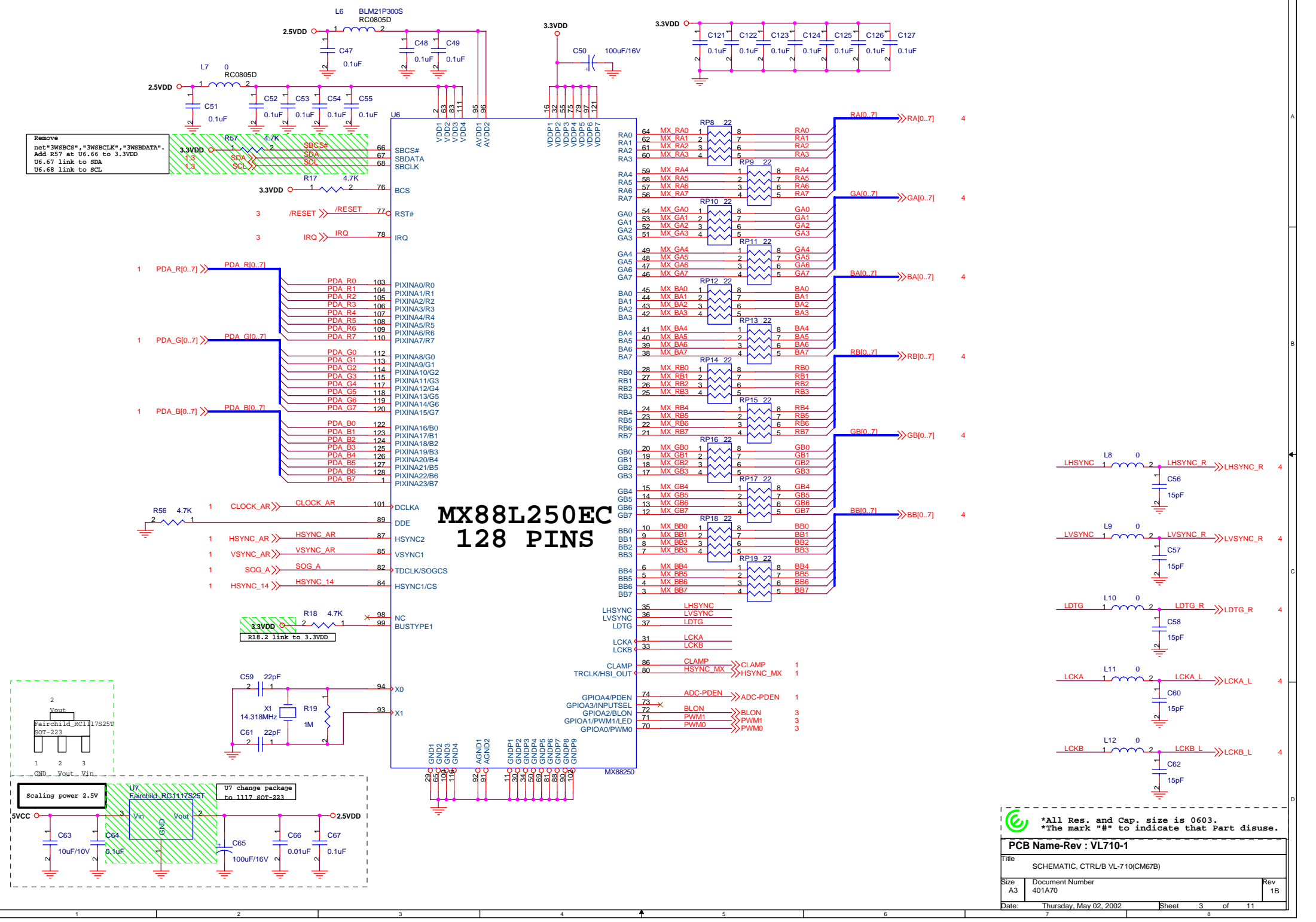
PCB Name-Rev: VL710-1

Title: SCHEMATIC, CTRL/B VL-710(CM67B)

Size: A3	Document Number: 401A70	Rev: 1B
----------	-------------------------	---------

Date: Thursday, May 02, 2002 Sheet 2 of 11

Remove
 net="3WSBCS", "3WSBCLK", "3WSBDATA".
 Add R57 at U6.66 to 3.3VDD
 U6.67 link to SDA
 U6.68 link to SCL



MX88L250EC 128 PINS

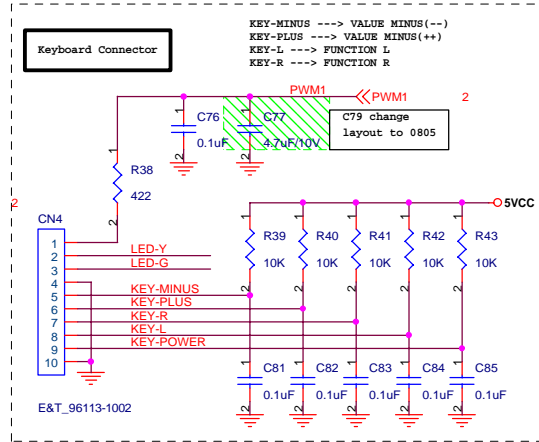
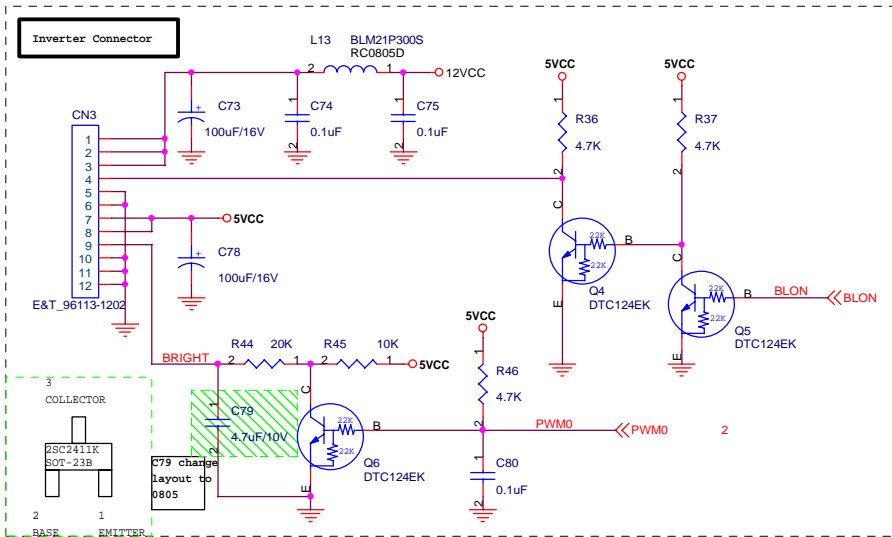
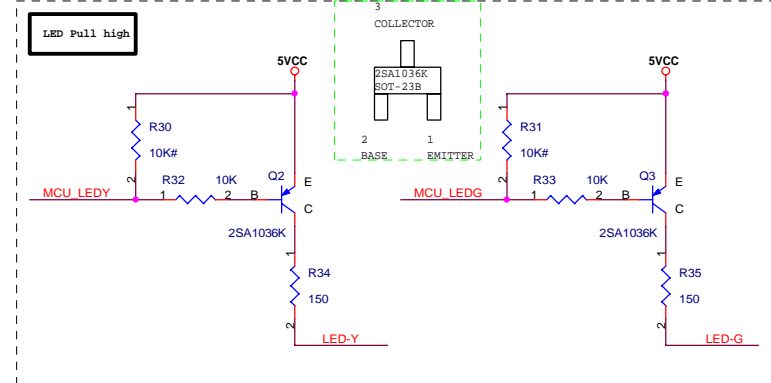
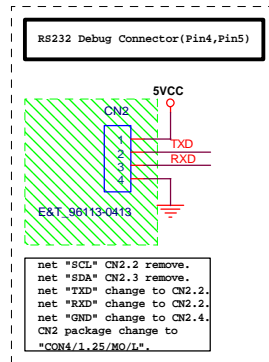
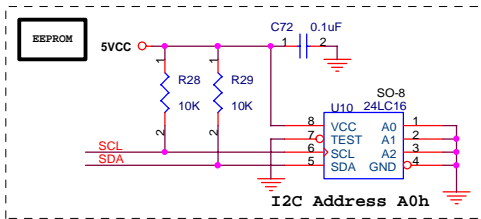
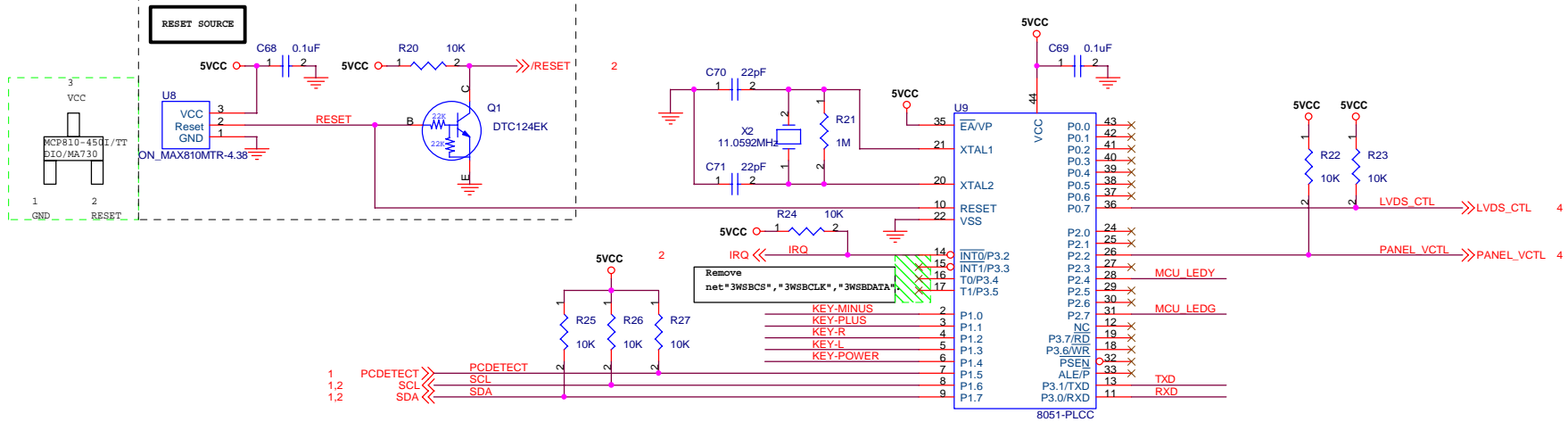
PCB Name-Rev: VL710-1

Title: SCHEMATIC, CTRLB VL-710(CM67B)

Size: A3 | Document Number: 401A70 | Rev: 1B

Date: Thursday, May 02, 2002 | Sheet: 3 of 11

*All Res. and Cap. size is 0603.
 *The mark "#" to indicate that Part disuse.



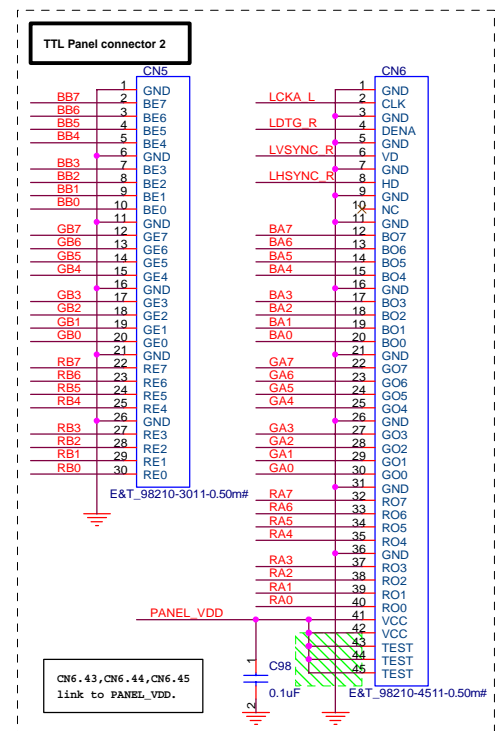
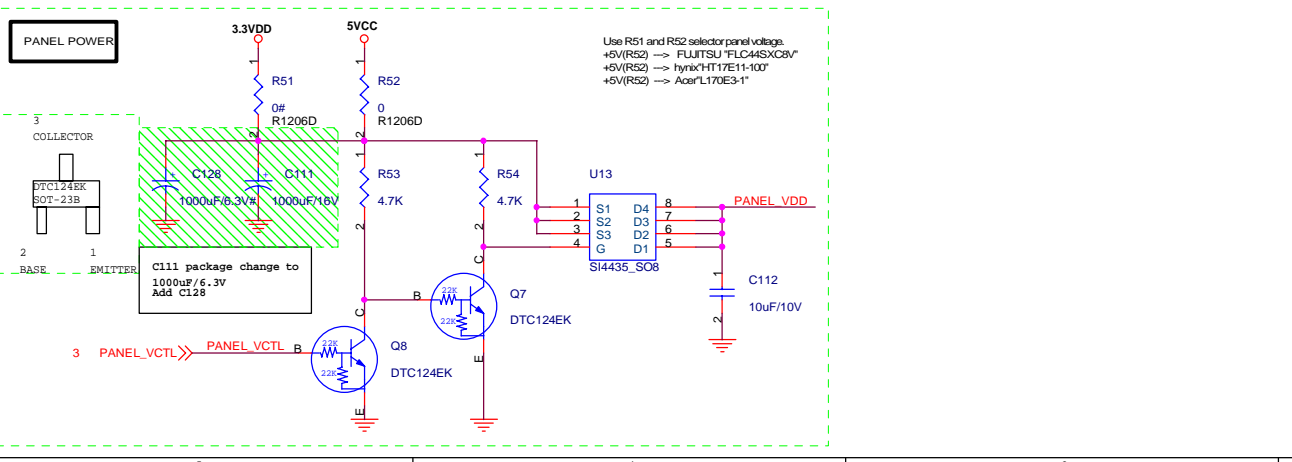
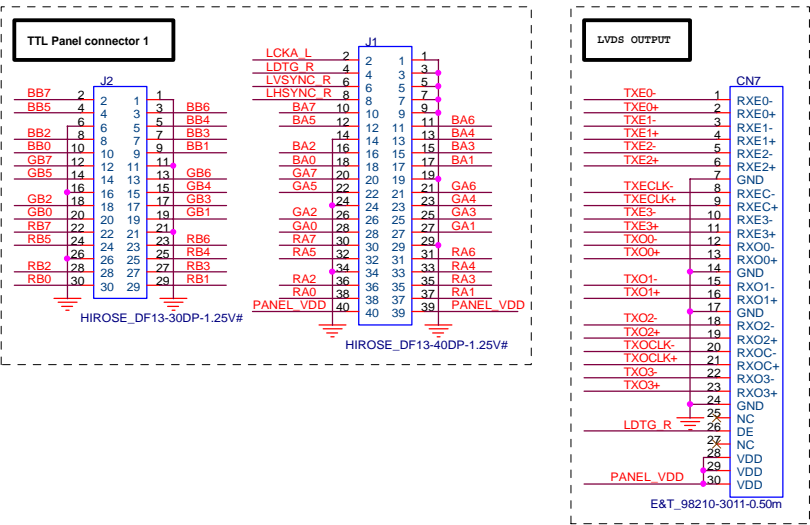
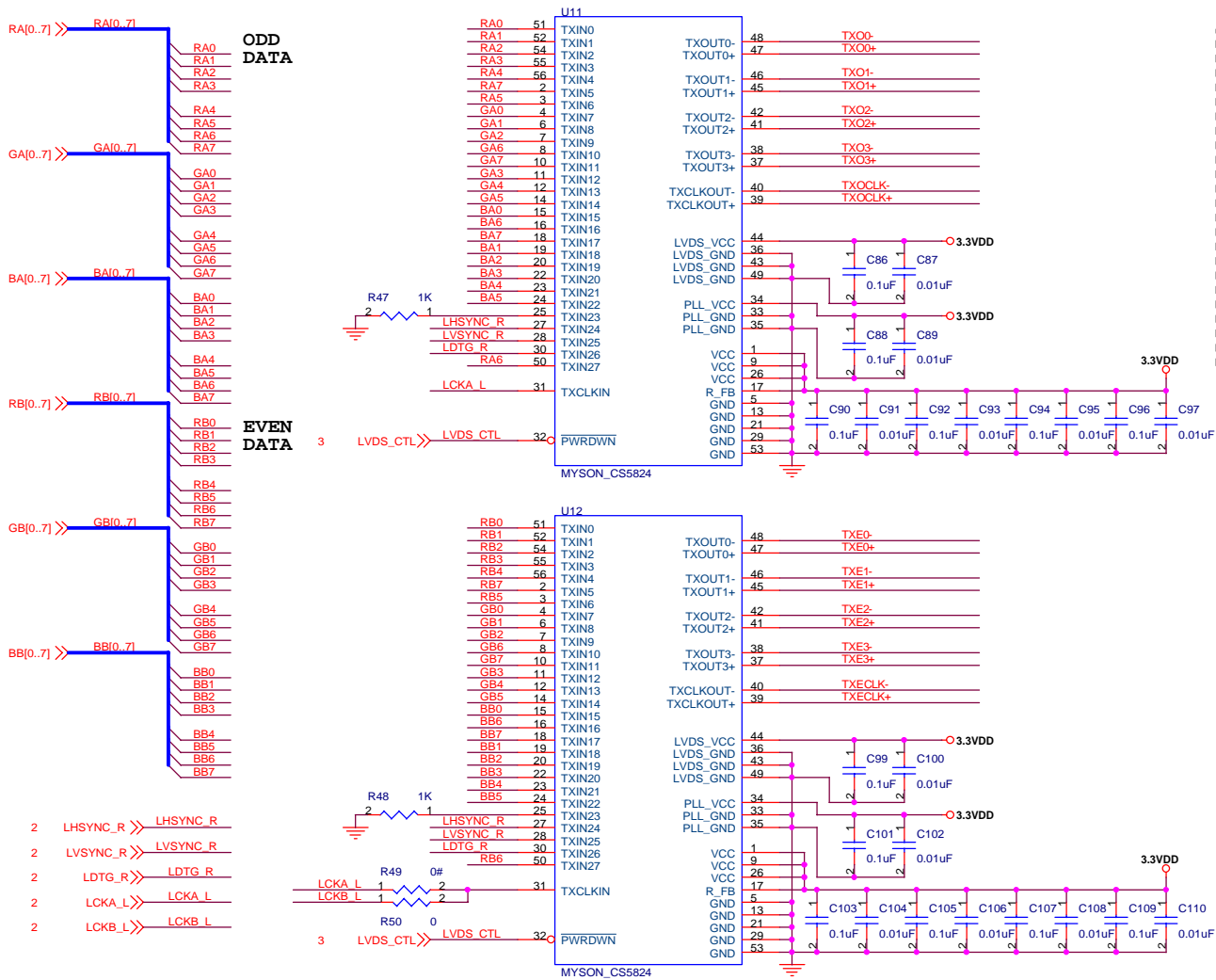
PCB Name-Rev : VL710-1

Title SCHEMATIC, CTRLB/VL-710(CM67B)

Size A3 Document Number 401A70 Rev 1B

Date: Thursday, May 02, 2002 Sheet 4 of 11

*All Res. and Cap. size is 0603.
*The mark "#" to indicate that Part disuse.

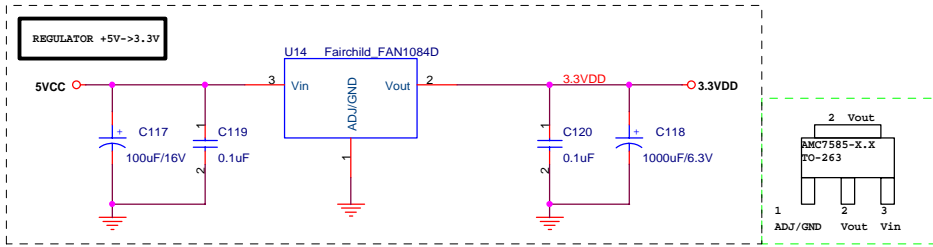
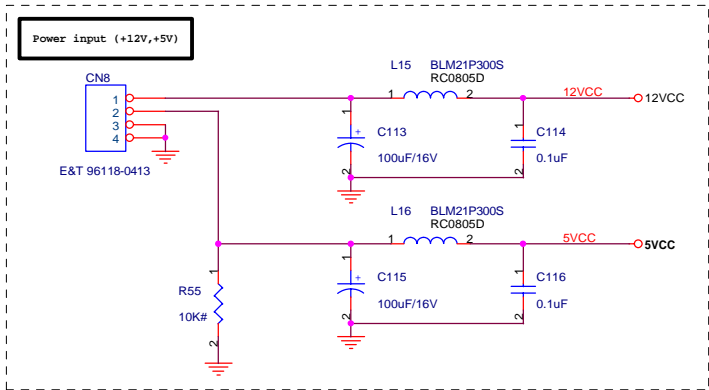



PCB Name-Rev: VL710-1

Title: SCHEMATIC, CTRLB VL-710(CM67B)

Size	Document Number	Rev
A3	401A70	1B

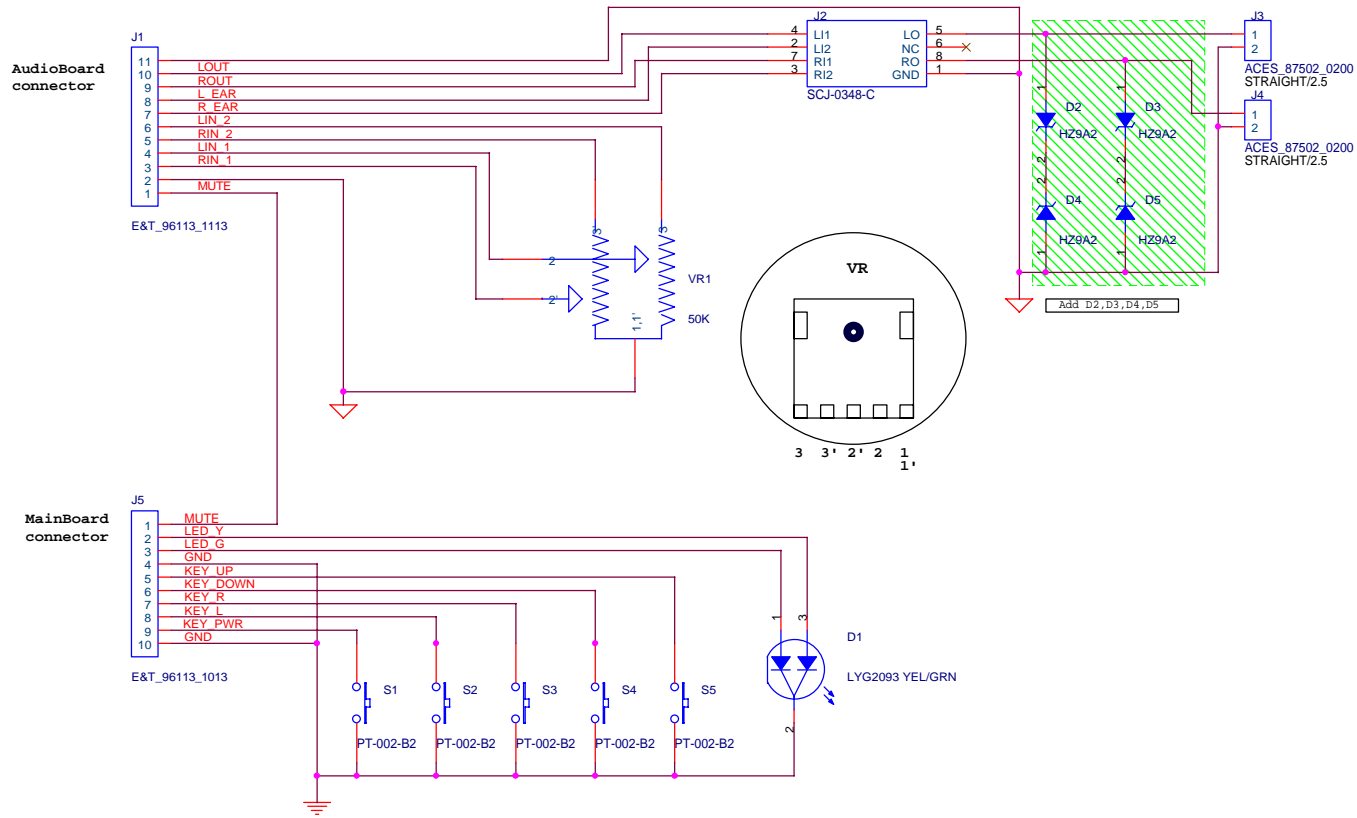
Date: Thursday, May 02, 2002 Sheet 5 of 11




 *All Res. and Cap. size is 0603.
*The mark "#" to indicate that Part disuse.

PCB Name-Rev : VL710-1

Title		
SCHEMATIC, CTRL/B VL-710(CM67B)		
Size	Document Number	Rev
A3	401A70	1B
Date:	Thursday, May 02, 2002	Sheet 6 of 11



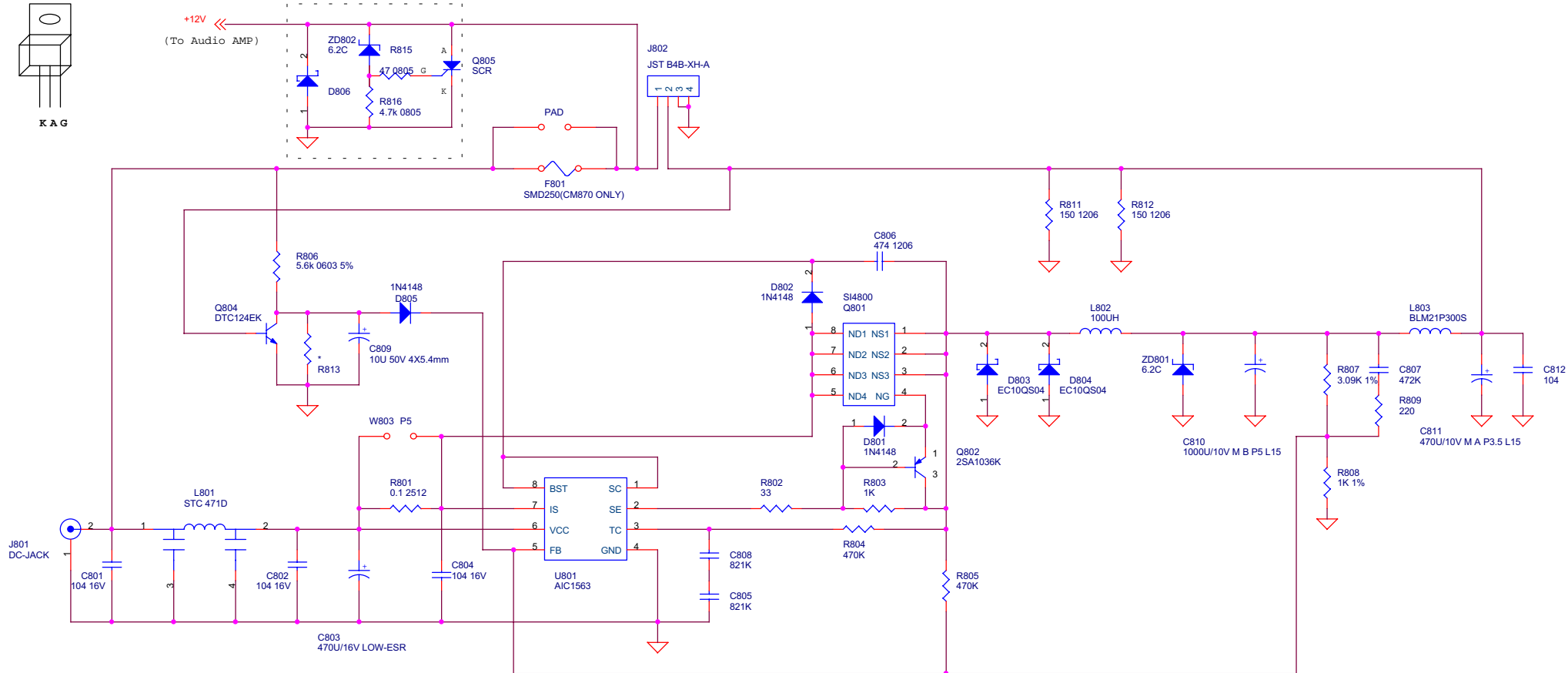
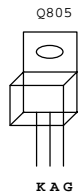
 *All Res. and Cap. size is 0603.
*The mark "#" to indicate that Part disuse.

PCB Name-Rev : VK715-0

Title
SCHEMATIC, KEY/B VK-715

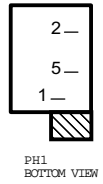
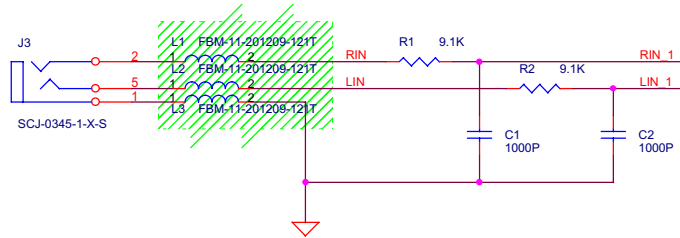
Size A3	Document Number 404A81	Rev 0A
------------	---------------------------	-----------

Date: Wednesday, June 26, 2002 Sheet 2 of 2

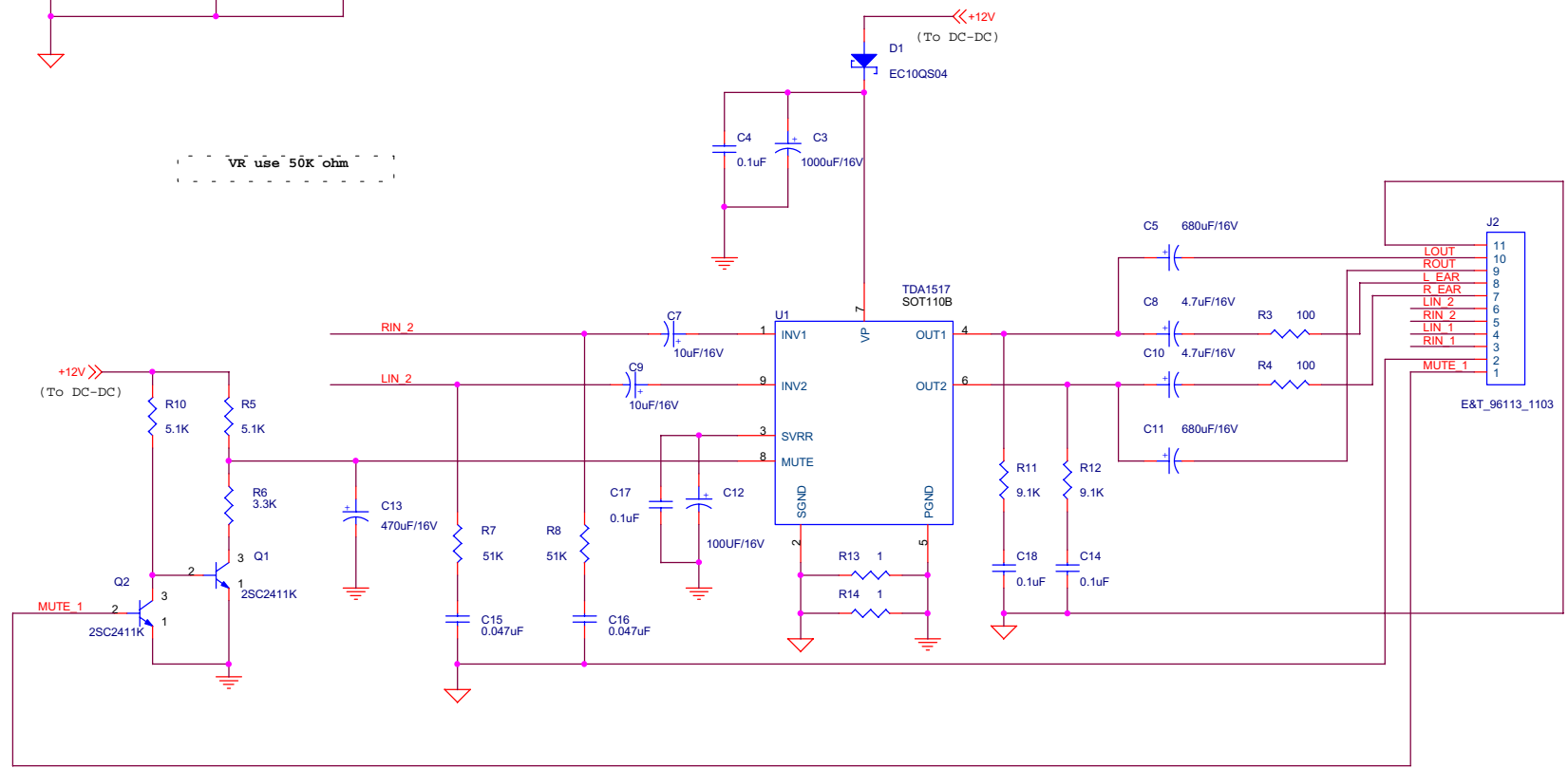
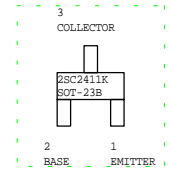


Title		
DC-DC VM-517(1A)		
Size	Document Number	Rev
A3	405A33	1E
Date:	Tuesday, February 26, 2002	Sheet 2 of 2

Note : CM35A/35H TS35H CS35H TM35H no need to use L1 L2 L3 , bypass directly .



VR use 50K ohm



Title		
AUDIO AMP VM-517(1A)		
Size	Document Number	Rev
A3	405A33	1E
Date:	Tuesday, February 26, 2002	Sheet 3 of 3