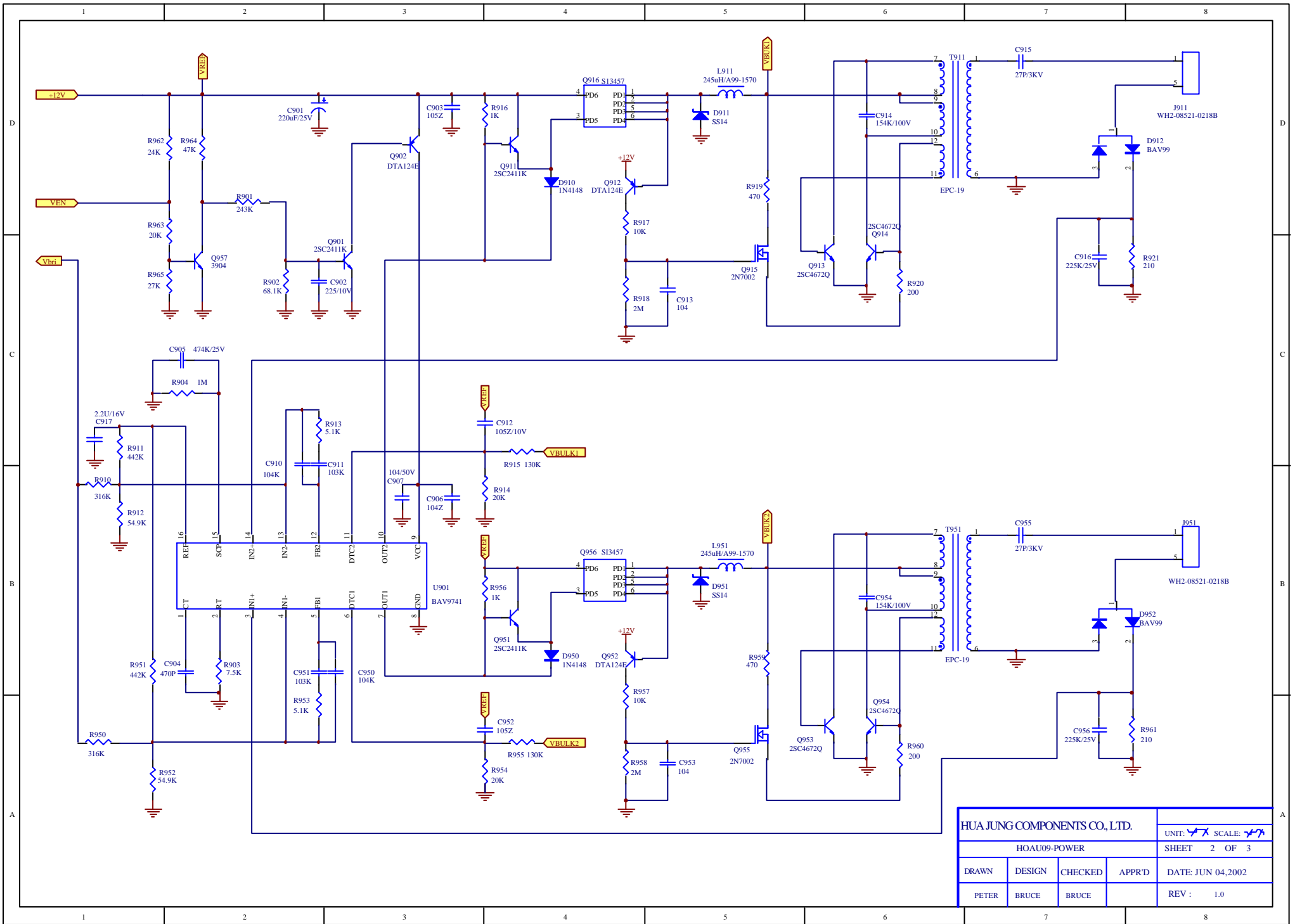
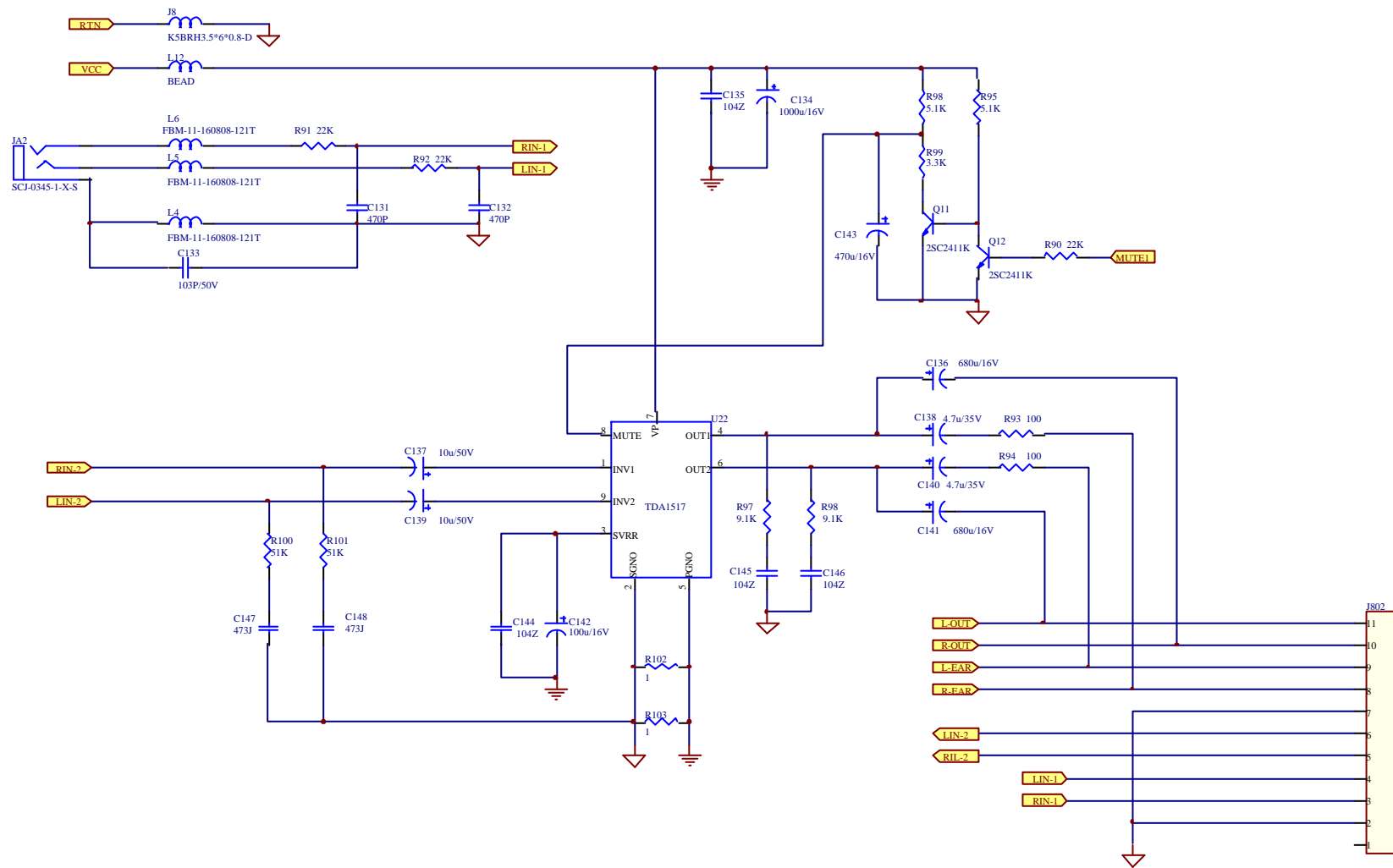


HUA JUNG COMPONENTS CO., LTD.				UNIT: <input checked="" type="checkbox"/> X	SCALE: <input checked="" type="checkbox"/> X
HOAU09-POWER				SHEET	1 OF 3
DRAWN	DESIGN	CHECKED	APPR'D	DATE: JUN 04, 2002	
PETER	BRUCE	BRUCE		REV : 1.0	



HUA JUNG COMPONENTS CO., LTD.				UNIT: μ SCALE: \times
HOAU09-POWER				SHEET 2 OF 3
DRAWN	DESIGN	CHECKED	APPR'D	DATE: JUN 04, 2002
PETER	BRUCE	BRUCE		REV : 1.0



HUA JUNG COMPONENTS CO., LTD.				UNIT: $\sqrt{\text{X}}$ SCALE: $\sqrt{\text{X}}$
HOAU09-POWER				SHEET 3 OF 3
DRAWN	DESIGN	CHECKED	APPR'D	DATE: JUN 04, 2002
PETER	BRUCE	BRUCE		REV : 1.0