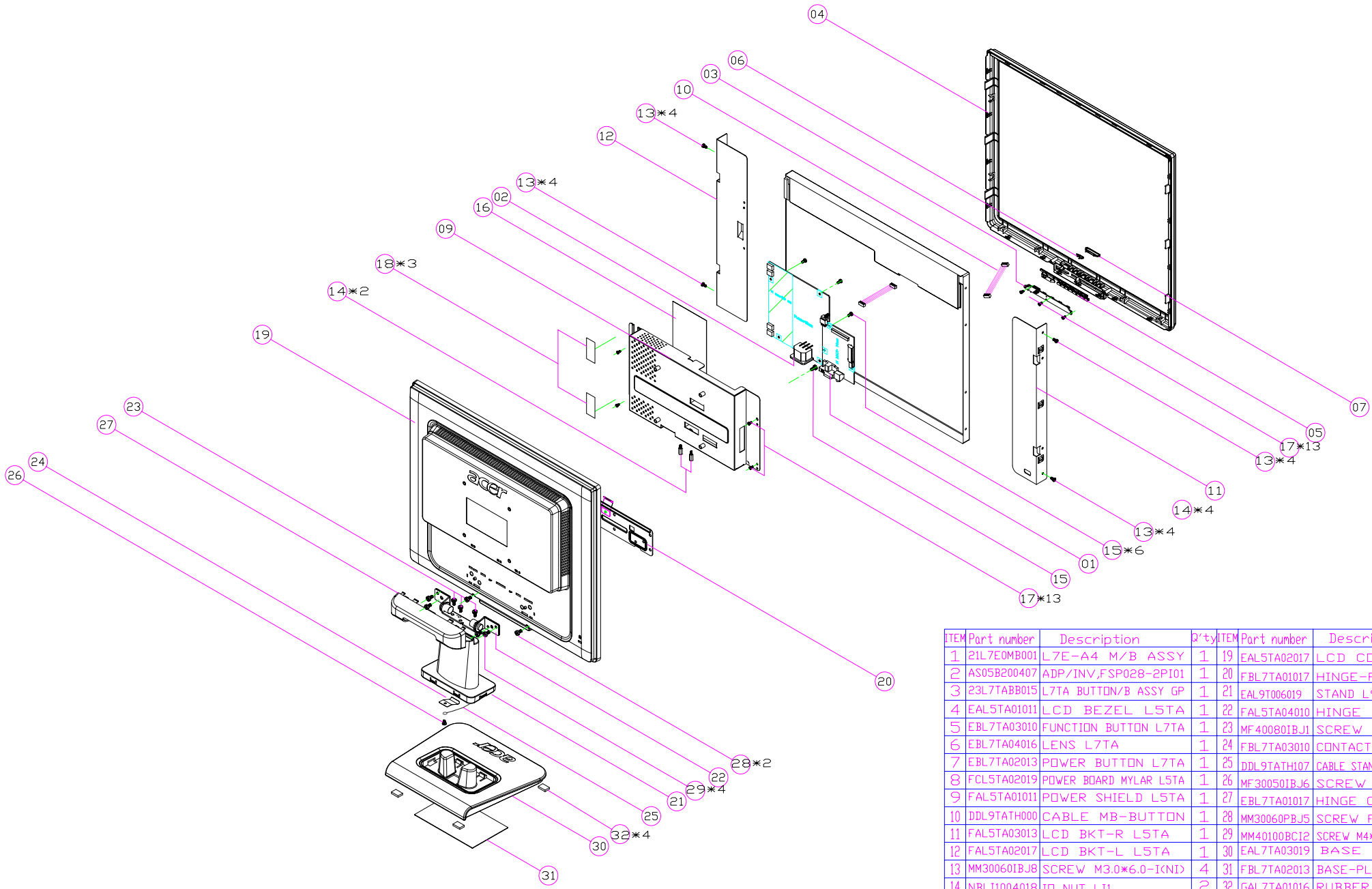


FRU (Field Replaceable Unit) list

This chapter gives you the FRU (Field Replaceable Unit) listing in global configurations of AL1516. Refer to this chapter whenever ordering for parts to repair or for RMA (Return Merchandise Authorization).

NOTE: Please note WHEN ORDERING FRU PARTS, that you should check the most up-to-date information available on your regional web or channel (<http://aicsl.acer.com.tw/spl/>). For whatever reasons a part number change is made, it will not be noted in the printed Service Guide. For ACER-AUTHORIZED SERVICE PROVIDERS, your Acer office may have a DIFFERENT part number code to those given in the FRU list of this printed Service Guide. You MUST use the local FRU list provided by your regional Acer office to order FRU parts repair and service of customer machines.

NOTE: To scrap or to return the defective parts, you should follow the local government ordinance or regulations on how best to dispose it, or follow the rules set by your regional Acer office on how to return it.



ITEM	Part number	Description	Q'ty	ITEM	Part number	Description	Q'ty
1	21L7E0MB001	L7E-A4 M/B ASSY	1	19	EAL5TA02017	LCD COVER L5TA	1
2	AS05B200407	ADP/INV,FSP028-2PI01	1	20	FBL7TA01017	HINGE-PLATE L7TA	1
3	23L7TABB015	L7TA BUTTON/B ASSY GP	1	21	EAL9T006019	STAND L9TA	1
4	EAL5TA01011	LCD BEZEL L5TA	1	22	FAL5TA04010	HINGE ASSY L5TA	1
5	EBL7TA03010	FUNCTION BUTTON L7TA	1	23	MF400801BJ1	SCREW F4.0*8-I<NI>	3
6	EBL7TA04016	LENS L7TA	1	24	FBL7TA03010	CONTACT-PLATE L7TA	1
7	EBL7TA02013	POWER BUTTON L7TA	1	25	DDL9TATH107	CABLE STAND-HINGE(IP,150mm)	1
8	FCL5TA02019	POWER BOARD MYLAR L5TA	1	26	MF300501BJ6	SCREW F3*5-I<NI>	1
9	FAL5TA01011	POWER SHIELD L5TA	1	27	EBL7TA01017	HINGE COVER L7TA	1
10	DDL9TATH000	CABLE MB-BUTTON	1	28	MM30060PBJ5	SCREW F3.0*6.0-P<NI>	2
11	FAL5TA03013	LCD BKT-R L5TA	1	29	MM40100BC12	SCREW M4*10.0-B<NI,NYLOK>	4
12	FAL5TA02017	LCD BKT-L L5TA	1	30	EAL7TA03019	BASE L7TA	1
13	MM300601BJ8	SCREW M3.0*6.0-I<NI>	4	31	FBL7TA02013	BASE-PLATE L7TA	1
14	NBLI1004018	ID NUT L11	2	32	GAL7TA01016	RUBBER FOOT L7TA	4
15	MM40080BBW1	SCREW M4.0*8.0-B	1				
16	FCL5TA01012	POWER SHIELD MYLAR	1				
17	MF300501BJ6	SCREW F3*5-I<NI>	13				
18	FCM7T004014	AL FOIL M7T	3				

Part number Exploded view

ITEM	Part number	Description	Q'TY	ITEM	Part number	Description	Q'TY
1	21L7E0MB001	L7E-A4 M/B ASSY	1	17	MF30050IBJ6	SCREW F3*5-I(NI)	13
2	AS05B200407	ADP/INV,FSP028-2PI10	1	18	FCM7T004014	AL FOIL M7T	3
3	23L7TABB015	L7TA BUTTON/B ASSY GP	1	19	EAL5TA02017	LCD COVER L5TA	1
4	EAL5TA01011	LCD BEZEL L5TA	1	20	FBL7TA01017	HINGE-PLATE L7TA	1
5	EABL7TA03010	FUNCTION BUTTON L7TA	1	21	EAL9T006019	STAND L9TA	1
6	EBL7TA04016	LENS L7TA	1	22	FAL5TA04010	HINGE ASSY L5TA	1
7	EBL7TA02013	POWER BUTTON L7TA	1	23	MF40080IBJ1	SCREW F4.0*8-I(NI)	3
8	FCL5TA02019	POWER BOARD MYLAR L5TA	1	24	FBL7TA03010	CONTACT-PLATE L7TA	1
9	FAL5TA01011	POWER SHIELD L5TA	1	25	DDL9TATH107	CABLE STAND-HINGE(1P,150mm)	1
10	DDL9TATH000	CABLE MB-BUTTON	1	26	MF30050IBJ6	SCREW F3*5-I(NI)	1
11	FAL5TA03013	LCD BKT-R L5TA	1	27	EBL7TA01017	HINGE COVER L7TA	1
12	FAL5TA02017	LCD BKT-L L5TA	1	28	MM30060PBJ5	SCREW F3.0*6.0-P(NI)	2
13	MM30060IBJ8	SCREW M3.0*6.0-I(NI)	4	29	MM40100BCI2	SCREW M4*10.0-B(NI.NYLOK)	4
14	NBL1004018	IO NUT LI1	2	30	EAL7TA03019	BASE L7TA	1
15	MM40080BBW1	SCREW M4.0*8.0-B	1	31	EBL7TA02013	BASE -PLATE L7TA	1
16	FCL5TA01012	POWER SHIELD MYLAR	1	32	GAL7TA01016	RUBBER FOOT L7TA	4

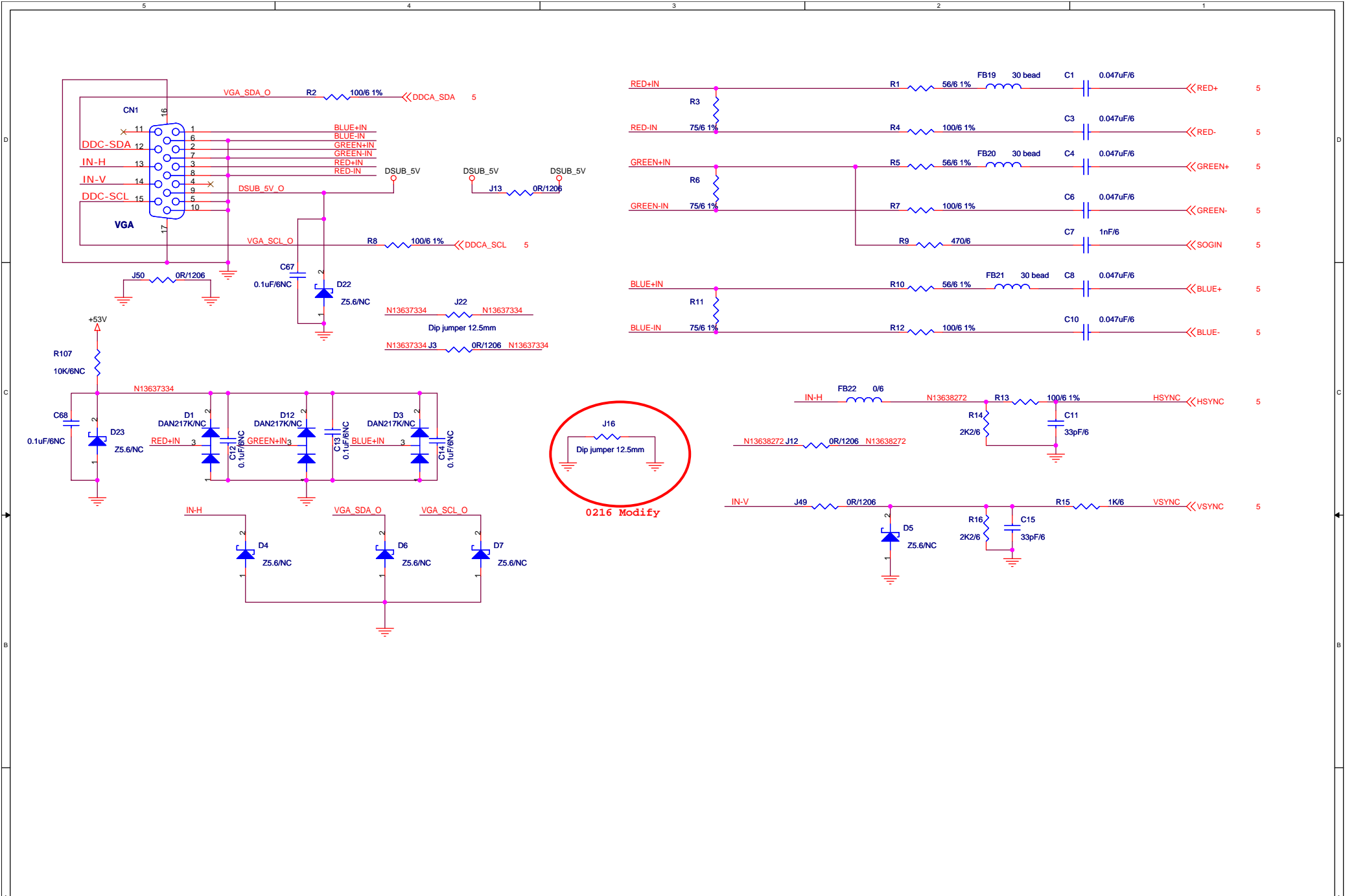
Part list

Above picture show the description of the following component

Item	Picture	Description	Part No
1		back cover	25L5TALC000
2		bezel	34L5TALB002
3		base	38L7TABS026
4		stand	26L5TASA001
5		screw	MM40080BBW1

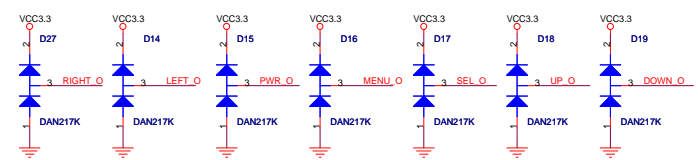
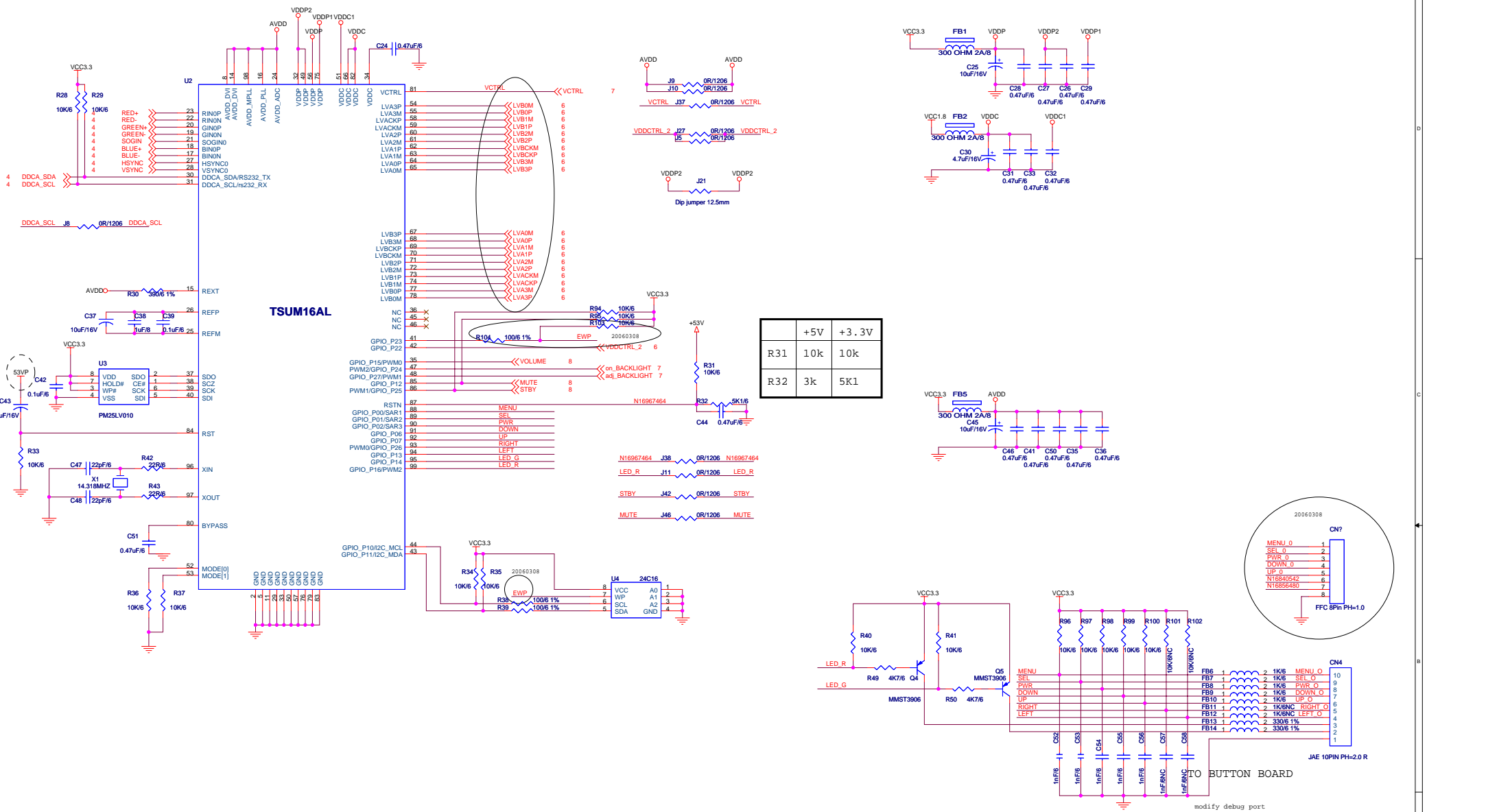
SCHEMATIC DIAGRAM

Main Board Circuit



PROJECT NAME:
L5TA

Title		Block Diagram	
Size	Document Number	Rev	
Custom	Weigo TSUM16AL	B3B	
Date:	Tuesday, April 11, 2006	Sheet	1 of 5

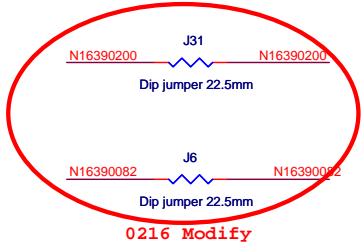


PROJECT NAME:
L5TA

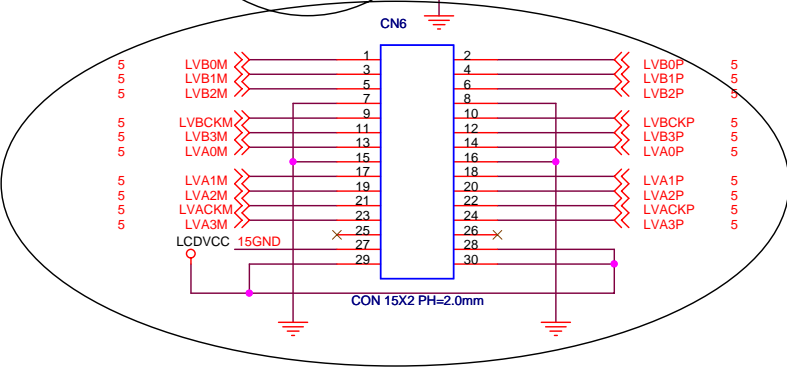
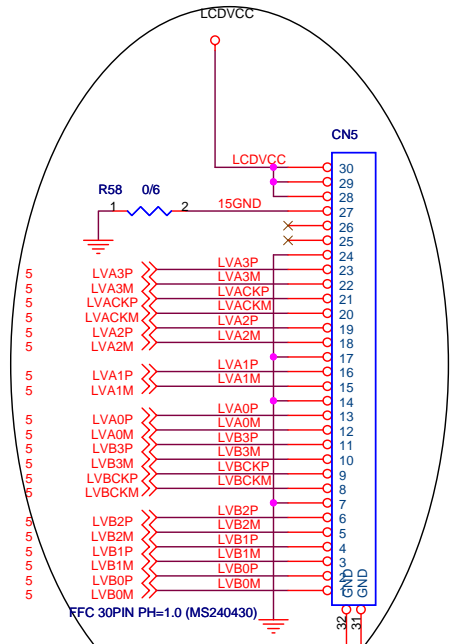
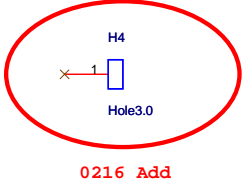
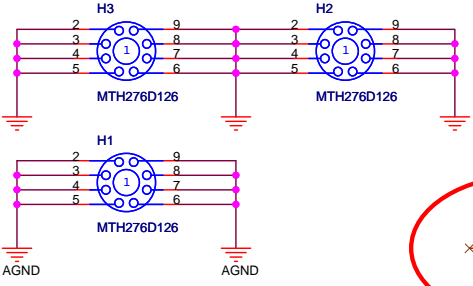
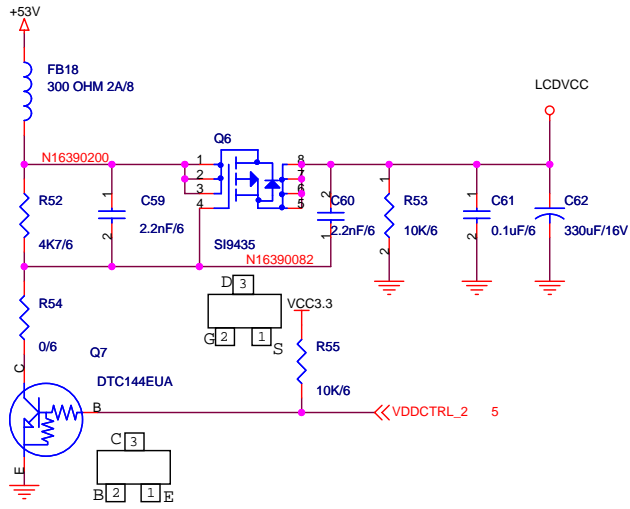
Title: **Input**

Size C Document Number: **Weigo TSUM16AL** Rev: B38

Date: Tuesday, April 11, 2006 Sheet 2 of 5



	R54
15"	0 OHM
17"	2.2K/6 OHM



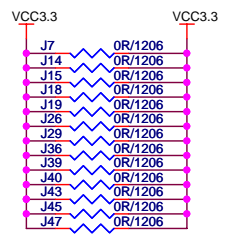
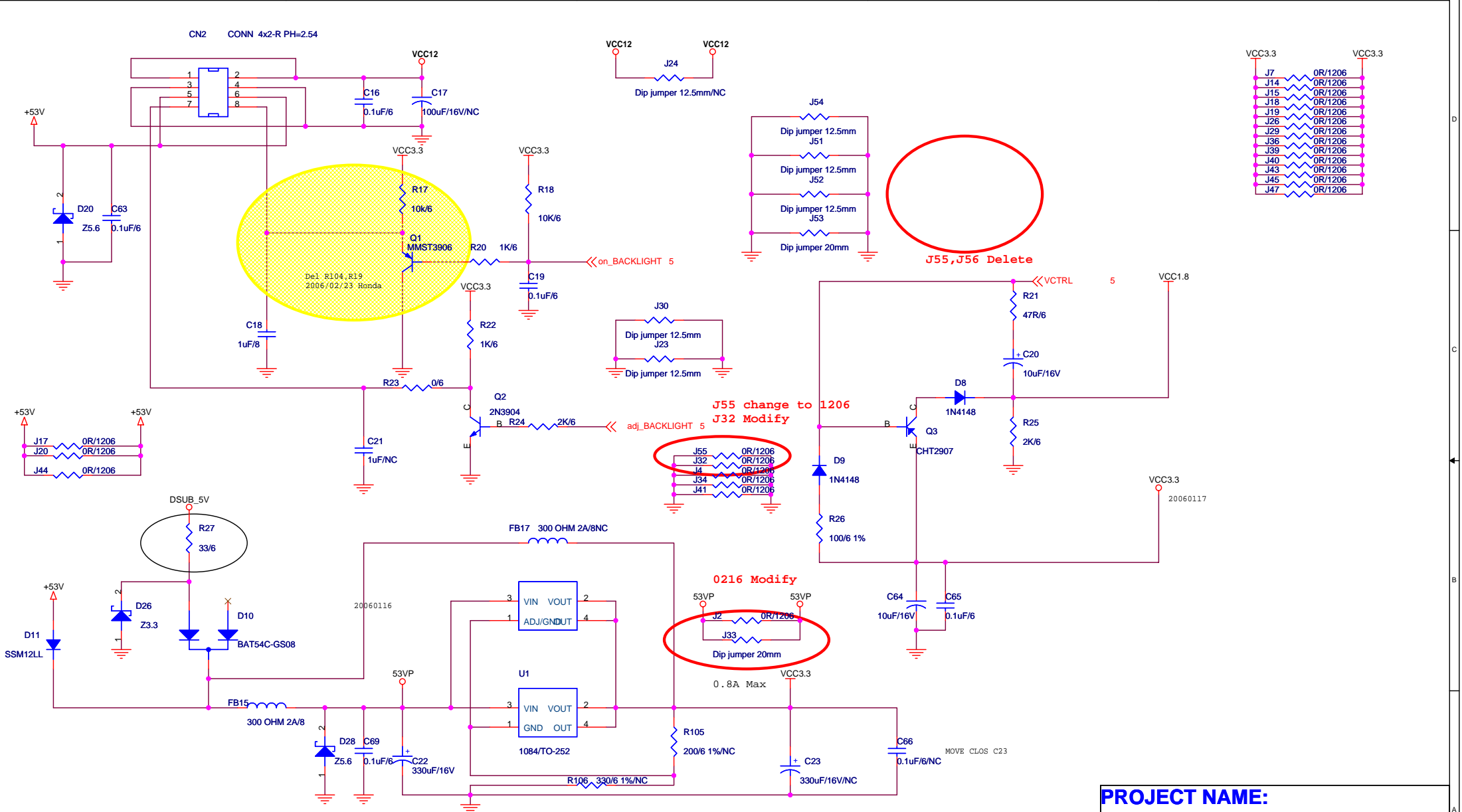
	CN5	CN6	R58
15"	NC	D-30P	0 Ohm
17"/19"	B0P	NC	NC

PROJECT NAME:
L5TA

Title
Scaler

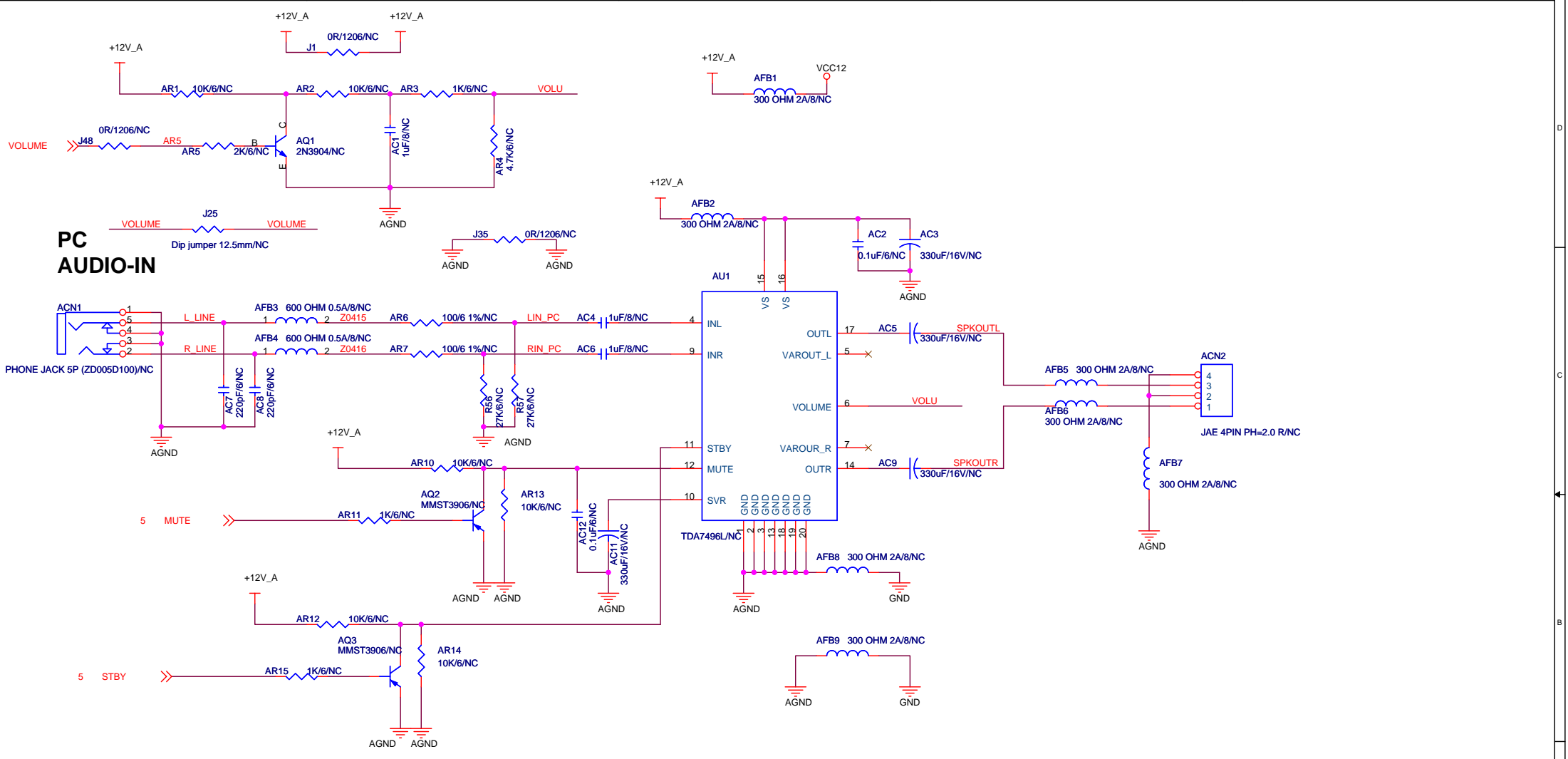
Size B	Document Number	Rev B3B
Weigo TSUM16AL		

Date: Tuesday, April 11, 2006 Sheet 3 of 5



15*	U1, C23, C66, R105, R106 N.C. FB17 300 OHM 2A/8
	D26 23.3V R27 33OHM
17*	FB17 N.C. D26 N.C. R27 0 OHM

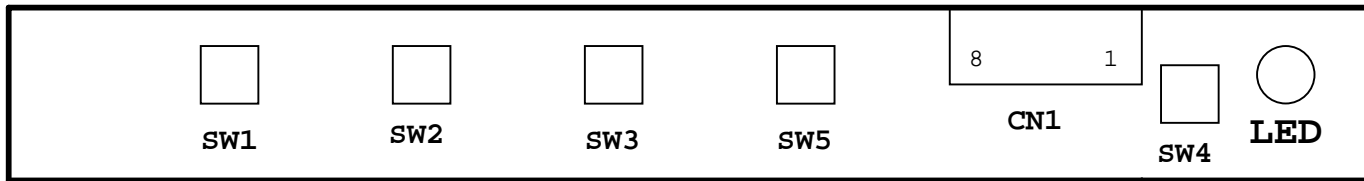
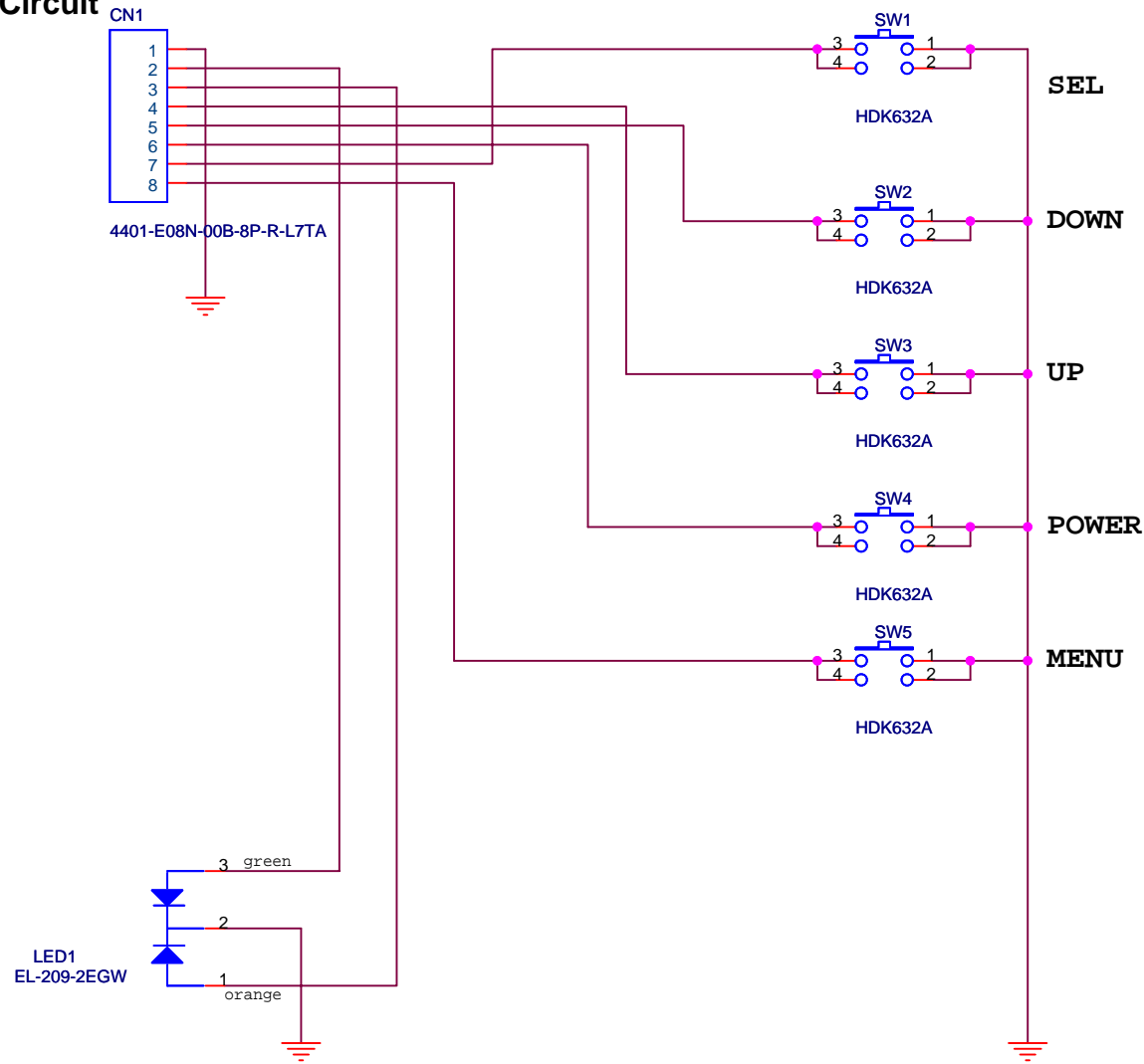
PROJECT NAME:		
L5TA		
Title		
Panel Interface		
Size	Document Number	Rev
B	Weigo TSUM16AL	B3B
Date:	Tuesday, April 11, 2006	Sheet 4 of 5



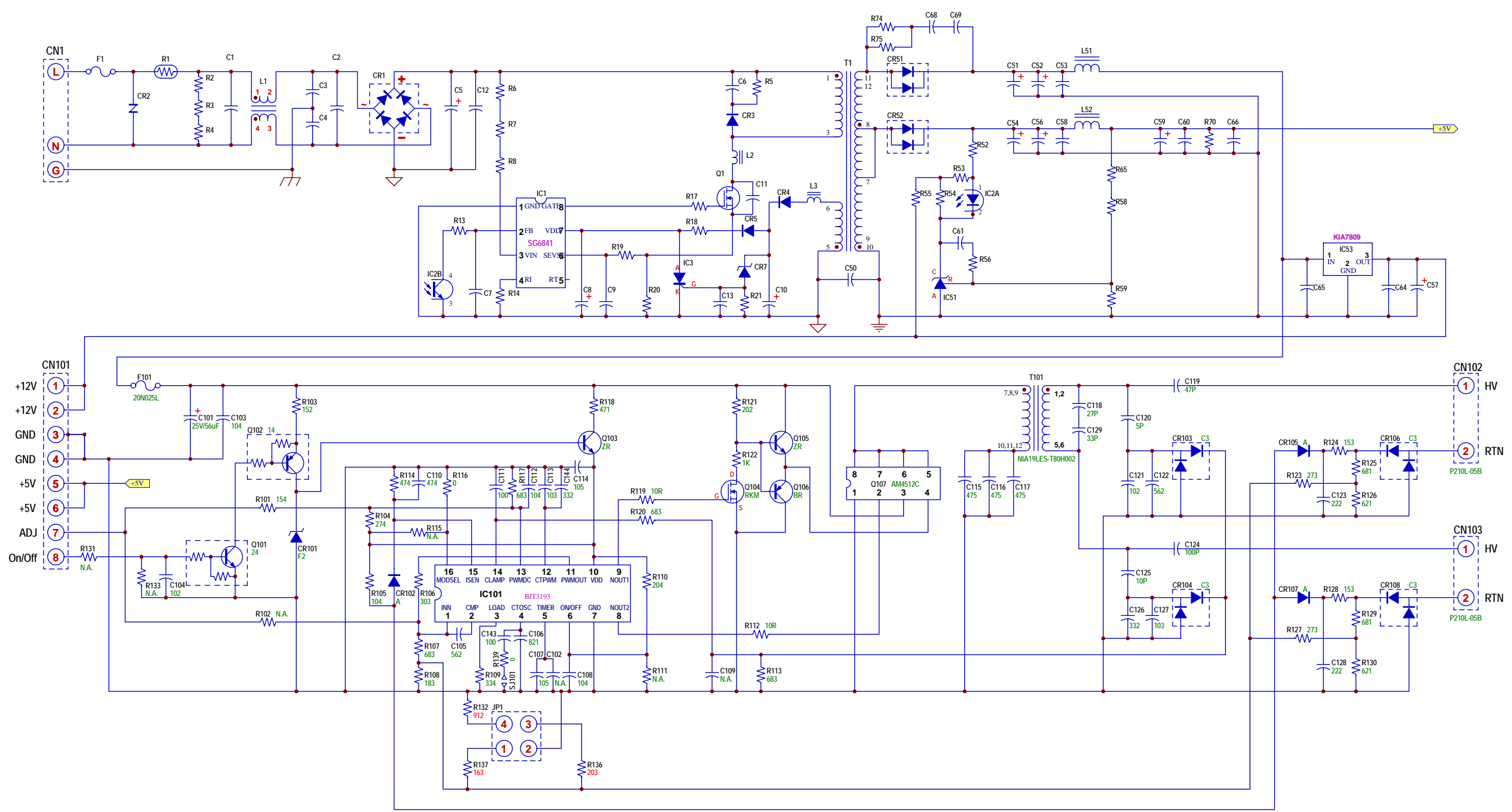
**PC
AUDIO-IN**

PROJECT NAME:		
L5TA		
Title		
Power		
Size B	Document Number	Rev B3B
Date: Tuesday, April 11, 2006		Sheet 5 of 5

Button Board Circuit

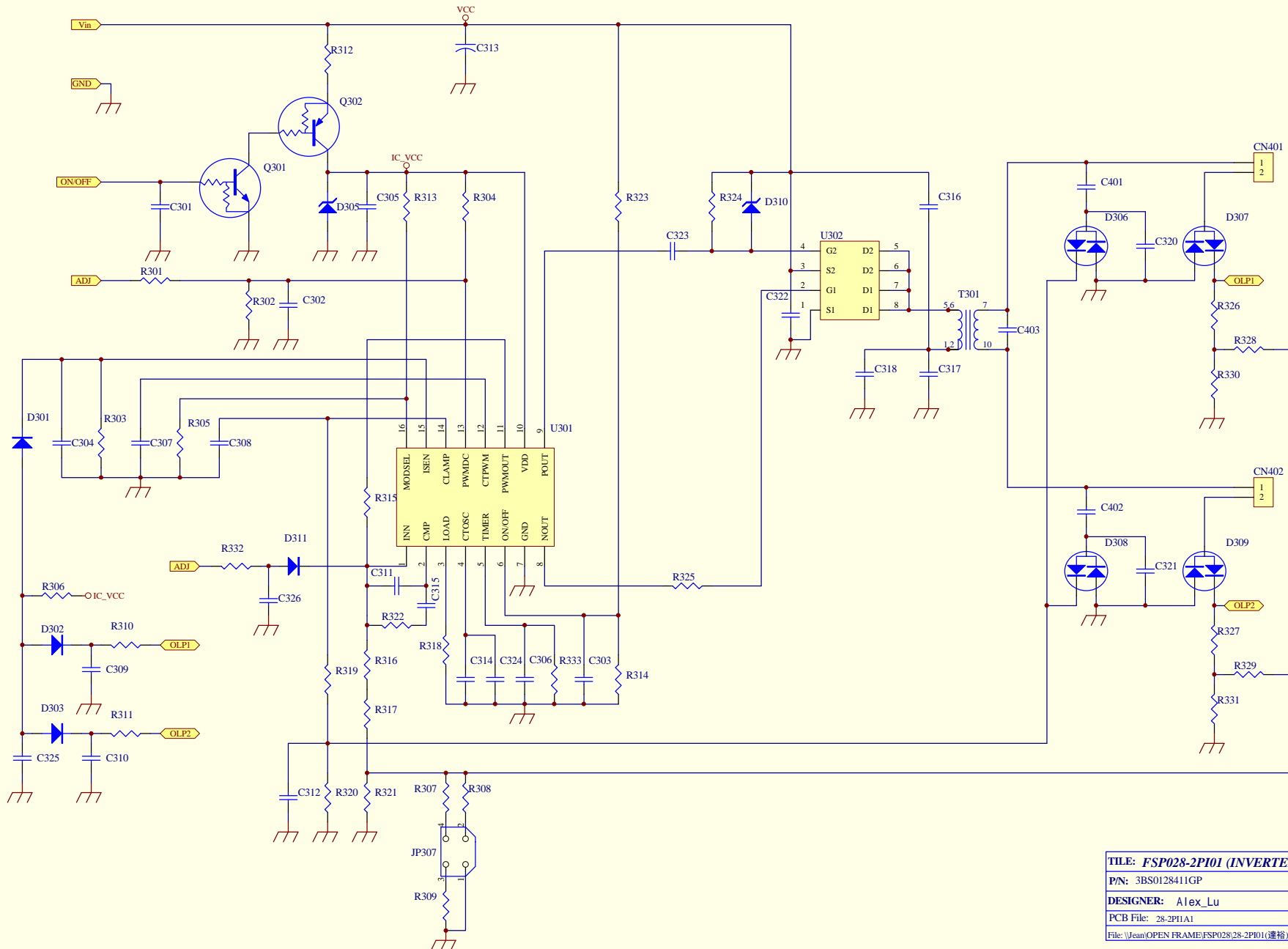


Power Board Circuit (1)

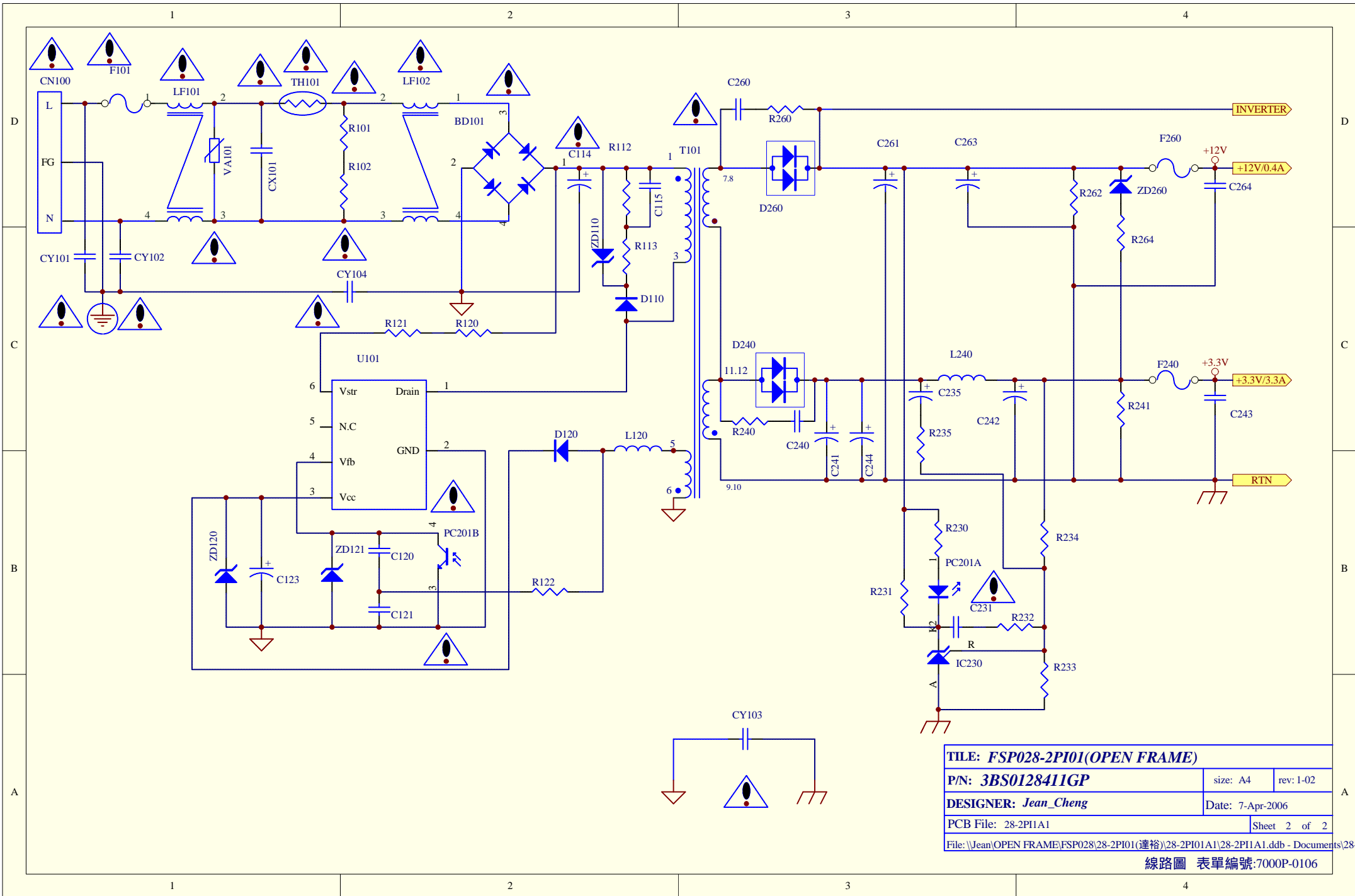


										Rev.4	
No.	圖號・DWG.No.	名稱・NAME	數QU:	材質・MATERIAL	處理・TREATMENT	備考・REMARK					
設計・DESIGN			日期 DATE	///	名稱 TITLE	SCHEMATIC DIAGRAM		親番・IDX CD		B361T	
製圖・DRAWING	Ray Cu-Yang		日期 DATE	Mar./29/06	型式 MODEL	TBD361AR					
檢圖・CHECKED			日期 DATE	///	比例 SCALE	×	單位 UNIT	×	第三角法 THIRD ANGLE PROJECTION		
承認・APPVD			日期 DATE	///	圖號・DWG.No.		日期・DATE		頁・PAGE		
承認・APPVD			日期 DATE	///	3DA01B361TR		///		1/1		
0	1	版 REV	日期 DATE	設計 DSGN	內容・DESCRIPTION		承認 APV	TDK 台灣東電化股份有限公司 TDK TAIWAN CORP.		3DA01B361TR	

Power Board Circuit (2)



TILE: FSP028-2P101 (INVERTER)		
P/N: 3BS0128411GP	size: A3	rev: 1-02
DESIGNER: Alex_Lu	Date: 7-Apr-2006	
PCB File: 28-2P1A1	Sheet 1 of 2	
File: \\Jean\OPEN FRAME\FSP028\28-2P101(運裕)\28-2P101A1\28-2P1A1.ddb - Document		



TITLE: FSP028-2PI01(OPEN FRAME)		
P/N: 3BS0128411GP	size: A4	rev: 1-02
DESIGNER: Jean_Cheng	Date: 7-Apr-2006	
PCB File: 28-2PI1A1	Sheet 2 of 2	
File: \\Jean\OPEN FRAME\FSP028\28-2PI01(遵裕)\28-2PI1A1\28-2PI1A1.dcb - Documents\28-		

線路圖 表單編號:7000P-0106