

Chapter 6

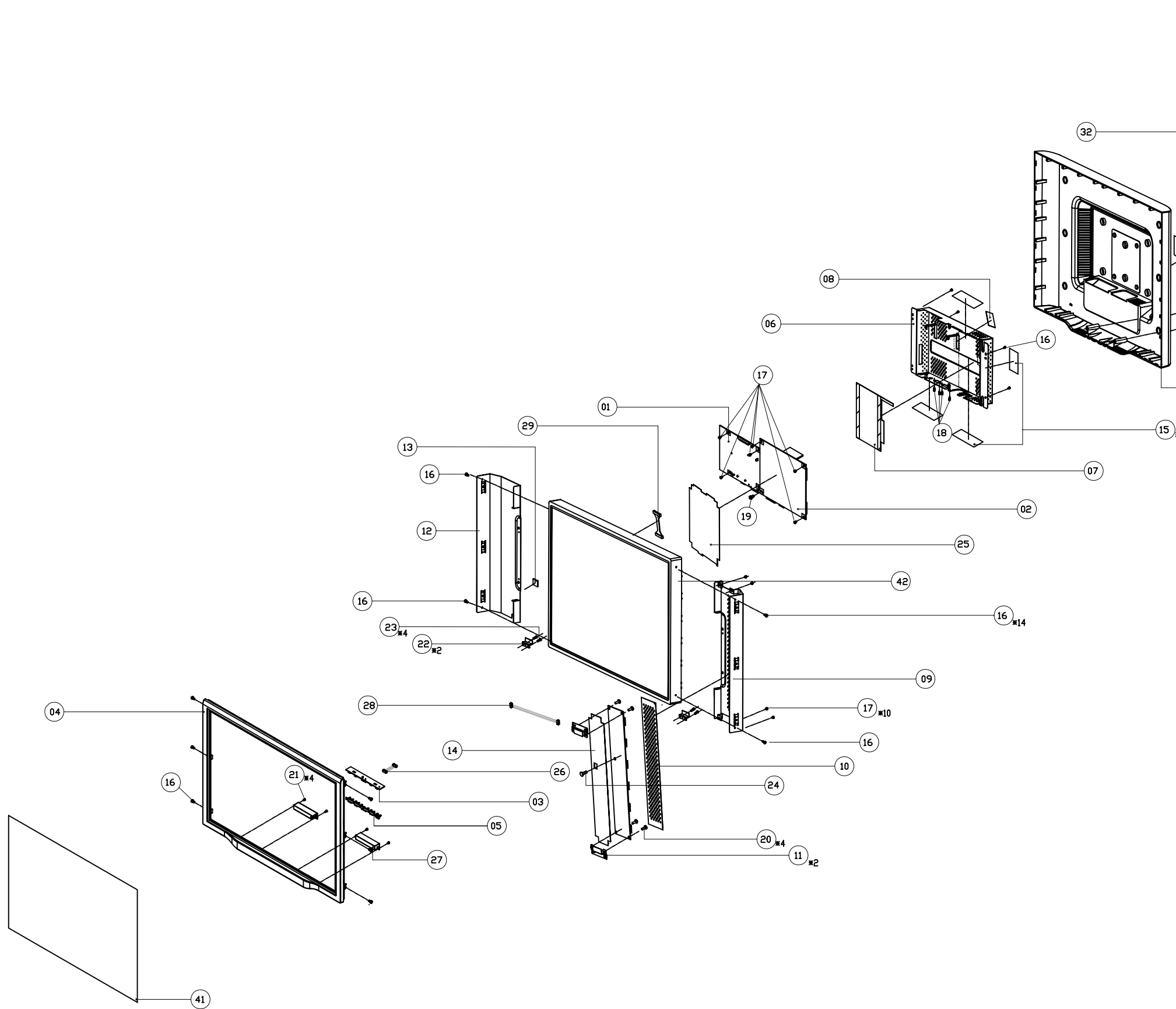
FRU (Field Replaceable Unit) list

This chapter gives you the FRU (Field Replaceable Unit) listing in global configurations of AL2423. Refer to this chapter whenever ordering for parts to repair or for RMA (Return Merchandise Authorization).

NOTE : Please note WHEN ORDERING FRU PARTS, that you should check the most up-to-date information available on your regional web or channel(<http://aicsl.acer.com.tw/spl/>). For whatever reasons a part number change is made, it will not be noted in the printed Service Guide. For ACER-AUTHORIZED SERVICE PROVIDERS, your Acer office may have a DIFFERENT part number code to those given in the FRU list of this printed Service Guide. You MUST use the local FRU list provided by your regional Acer office to order FRU parts repair and service of customer machines.

NOTE: To scrap or to return the defective parts, you should follow the local government ordinance or regulations on how best to dispose it, or follow the rules set by your regional Acer office on how to return it.

REVISIONS			
LTR	DESCRIPTION	DATE	APP
3B			



ITEM	PART NUMBER	PART DESCRIPTION	UNIT	ITEM	PART NUMBER	PART DESCRIPTION	UNIT
1	21LOTBMB006	LOTB M/B ASSY(GM5861)GP	1	26	DDL0TBBU001	CABLE MB-BUTTON(10P/8P,290MM)LOTB GP	1
2	AS05B560004	ADP/INV.EADP-102AFB,90-264V REVIA GP	1	27	DNOQT390031	SPEAK ASSY LOT FG-0T390D 2W*2	1
3	23L7TB0001	L7TB BUTTON/B ASSY GP	1	28	DDOM7TIV004	CABLE ASSY M7T INV-MB(7P/7P,REVIA) GP	1
4	EAWDTB01012	LCD BEZEL WDTB GP	1	29	DDOWOELC011	CABLE LVDS(30P,200MM,LINKTEC AUDW0E) GP	1
5	EBL9TB01017	FUNCTION BUTTON L9TB GP	1	30	EAL0TB03014	STAND LOTB GP	1
6	FAWDTB01012	PCB SHIELDING WDTB GP	1	31	EBL9TB02013	HINGE COVER L9TB GP	1
7	FCL0TB01013	MYLA SHIELD82*154.7 LOTB GP	1	32	FAWDTB02019	HINGE ASSY WDTB GP	1
8	FCL0TB05019	SCALAR MYLAR LOTB GP	1	33	MF400801BJ1	SCREW F4.0*8-I(N)GP	4
9	FBWDTB01013	LCD BKT-L WDTB GP	1	34	EAWDTB03015	STANDARD BASE WDTB GP	1
10	FCWDTB01014	BKT-L MYLAR WDTB GP	1	35	GAL7TA01016	RUBBER FOOT L7TA GP	9
11	FBWDTB03016	BKT-L PLATE WDTB GP	2	36	FBWDTB04012	STANDARD BASE PLATE WDTB GP	1
12	FBWDTB02010	LCD BKT-R WDTB GP	1	37	MF30070FBJ6	SCREW F3.0*7-F(N)GP	12
13	EBL70023013	WIRE MOUNTS L70L-E GP	1	38	MF40160PJ22	SCREW M4.0*16-P(BLACK N)GP	2
14	FCWDTB02011	INVERTOR MYLAR WDTB GP	1	39	MM40100B244	SCREW M4.0*10-B BLACK (NYLON)GP	4
15	FCM7T004014	AL FOIL M7T GP	4	40	HCWDTB01014	RATING LABEL-EN WDTB GP	1
16	MM300401BJ9	SCREW M3.0*4.0-I(N) GP	14	41	JXWDTB01014	LCD FILM-EN WDTB GP	1
17	MF30060TJB2	SCREW F3.0*6.0-T(MC) GP	10	42	AAM240M2006	LCD 24" LTM240M2-L02 FOR ACER CON GP	1
18	MBLI1004018	ID NUT LI1 GP	4				
19	MM40080BBW1	SCREW M4.0*8.0-B(NI,WASHER)GP	1				
20	MM40060BBJ5	SCREW M4.0*6.0-B(N)GP	4				
21	MF25080PJB8	SCREW F2.5*8.0-P GP	4				
22	FBWDTB06015	PANEL HOOK WDTB GP	2				
23	MF30100B008	SCREW F3.0*10.0-B BLACK GP	4				
24	EBWDTB01013	INVERTOR SUPORT WDTB GP	1				
25	FCWDTB03017	POWER MYLAR WDTB GP	1				

ITEM	PART NO.	DESCRIPTION
Techview International Technology Inc.		MODEL
5F, No. 361, Fu Hsin 1st Rd.,Kuei Shan Hsiang, Tao Yuan Shien, Taiwan, R.O.C.		WDTB-31
NAME	WDTB-D1-EXPLODESTATE	APPROVED EDWARD
TOL, ±	1 PLC 2 PLC ANGLE UNIT mm	DESIGNED EDWARD
MATERIAL	SCALE NONE	DRAWN EDWARD
FINISH	DATE 20060124	REV 3A
THE 3RD PROJECTION		DWG NO. 1/1

RANGE	TOLERANCE
0-10	±0.10
10-50	±0.15
50-100	±0.20
100-	±0.25

UNIT:mm

Part No of Exploded View

ITEM	PART NUMBER	PART DESCRIPTION	NUIT	ITEM	PART NUMBER	PART DESCRIPTION	NUIT
1	21L0TBMB006	L0TB M/B ASSY(GM5861)GP	1	22	FBWDTB06015	PANEL HOOK WDTB GP	2
2	AS05B560004	ADP/INV,EAIP-102AFB,90~264V REV1A GP	1	23	MF30100B008	SCREW F3.0*10.0-B BLACK GP	4
3	23L7TBBB001	L7TB BUTTON/B ASSY GP	1	24	EBWDTB01013	INVERTOR SUPORT WDTB GP	1
4	EAWDTB01012	LCD BEZEL WDTB GP	1	25	FCWDTB03017	POWER MYLAR WDTB GP	1
5	EBL9TB01017	FUNCTION BUTTON L9TB GP	1	26	DDL0TBBU001	CABLE MB-BUTTON(10P-8P,290MM)L0TB GP	1
6	FAWDTB01012	POB SHIELDING WDTB GP	1	27	DN0QT390031	SPEAK ASSY L0T FG-QT390D 2W*2	1
7	FCL0TB01013	MYLA SHIELD82*154.7 L0TB GP1	1	28	DD0M7TIV004	CABLE ASSY M7T INV-MB(7P/7P,REV1A)GP	1
8	FCLOTB05019	SCALAR MYLAR L0TB GP	1	29	DD0W0ELC011	CABLE LVDS(30P,200MM,LINKTEC AU)W0E GP	1
9	FBWDTB01013	LCD BKT-L WDTB GP	1	30	EAL0TB03014	STAND L0TB GP	1
10	FCWDTB01014	BKT-L MYLAR WDTB GP	1	31	EBL9TB02013	HINGE COVER L9TB GP	1
11	FBWDTB03016	BKT-L PLATE WDTB GP	2	32	FAWDTB02019	HINGE ASSY WDTB GP	1
12	FBWDTB02010	LCD BKT-R WDTB GP	1	33	MF40080IBJ1	SCREW F4.0*8-I(NI)GP	4
13	EBL70023013	WIRE MOUNTS L70L-E GP	1	34	EAWDTB03015	STANDARD BASE WDTB GP	1
14	FCWDTB02011	INVERTOR MYLAR WDTB GP	1	35	GAL7TA01016	RUBBER FOOT L7TA GP	9
15	FCM7T004014	AL FOIL M7T GP	4	36	FBWDTB04012	STANDARD BASE PLATE WDTB GP	1
16	MM30040IBJ9	SCREW M3.0*4.0-I(NI) GP	14	37	MF30070FBJ6	SCREW F3.0*7-F(NI)GO	12
17	MF30060TJB2	SCREW F3.0*6.0-T(MC) GP	10	38	MF40160PJ22	SCREW M4.0*16-P(BLACK NI)GP	2
18	MBLI1004018	IO NUT LI1 GP	4	39	MM4.100B244	SCREW M4.0*10-B BLACK (NYLDK)GP	4
19	MM40080BBW1	SCREW M4.0*8.0-B(NI,WASHER)GP	1	40	HCWDTB01014	RATING LABEL-EN WDTB GP	1
20	MM40060BBJ5	SCREW M4.0*6.0-B(NI)GP	4	41	JXWDTB01014	LCD FILM-EN WDTB GP	1
21	MF25080PJB8	SCREW F2.5*8.0-P GP	4	42	AAM240M2006	LCD 24'LTM240M2-L02 FOR ACER CON GP	1

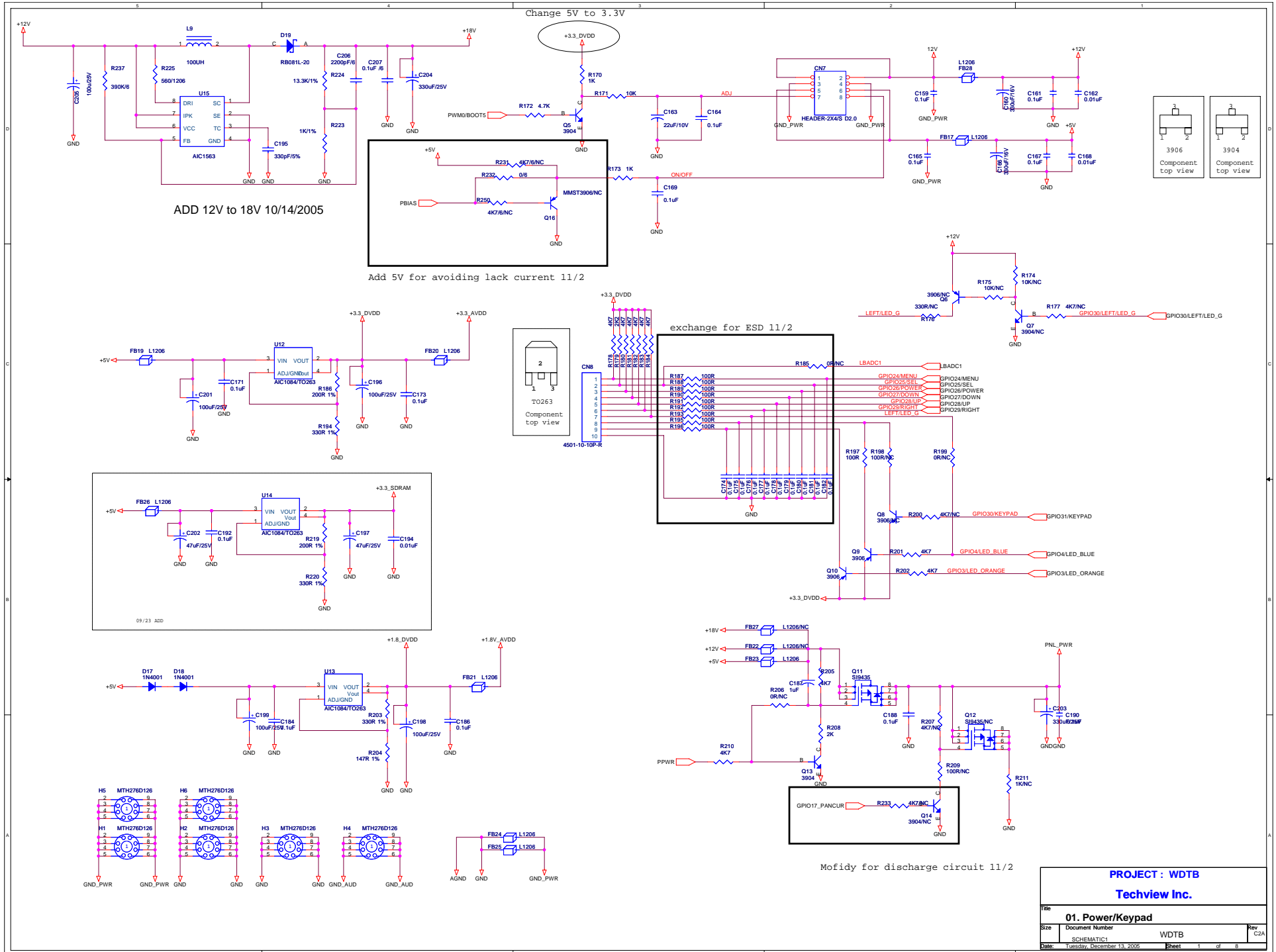
Part list

Above picture show the description of the following component

Item	Picture	Description	Part No
1		back cover	25WDTBLC001
2		bezel	34WDTBLB004
3		base	38WDTBBS006
4		stand	37WDTBSU007
5		screw	MM40080BBW1

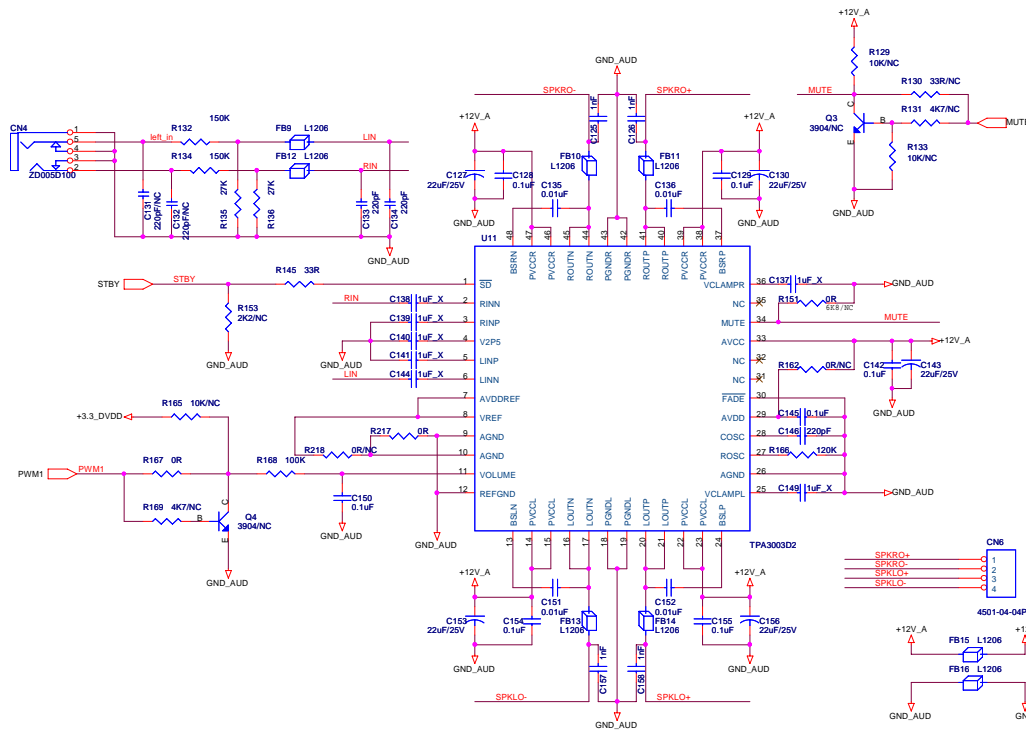
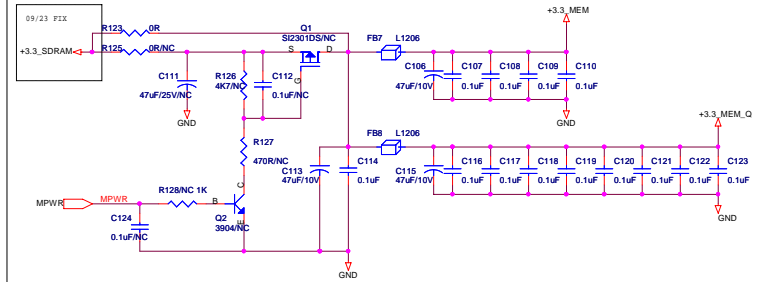
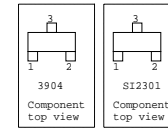
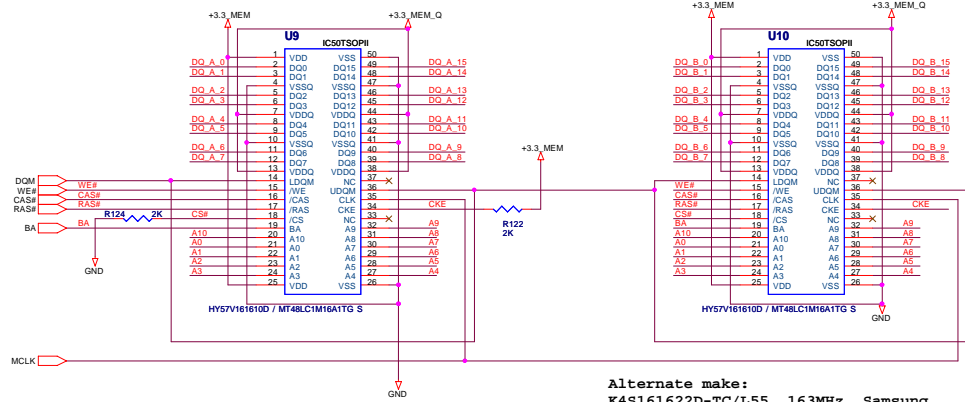
SCHEMATIC DIAGRAM

Main Board Circuit

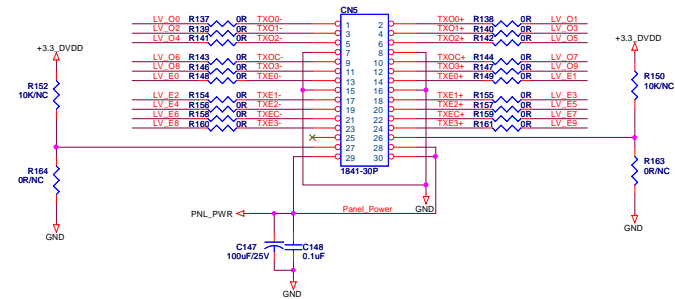


PROJECT : WDTB			
Techview Inc.			
File			
01. Power/Keypad			
Size	Document Number	WDTB	Rev
	SCHEMATIC1		C2A
Date	Tuesday, December 13, 2006	Sheet	1 of 8

DQ_B_[0..15] → DQ_B (0..15)
 DQ_A_[0..15] → DQ_A (0..15)
 A0..101 → A0..101

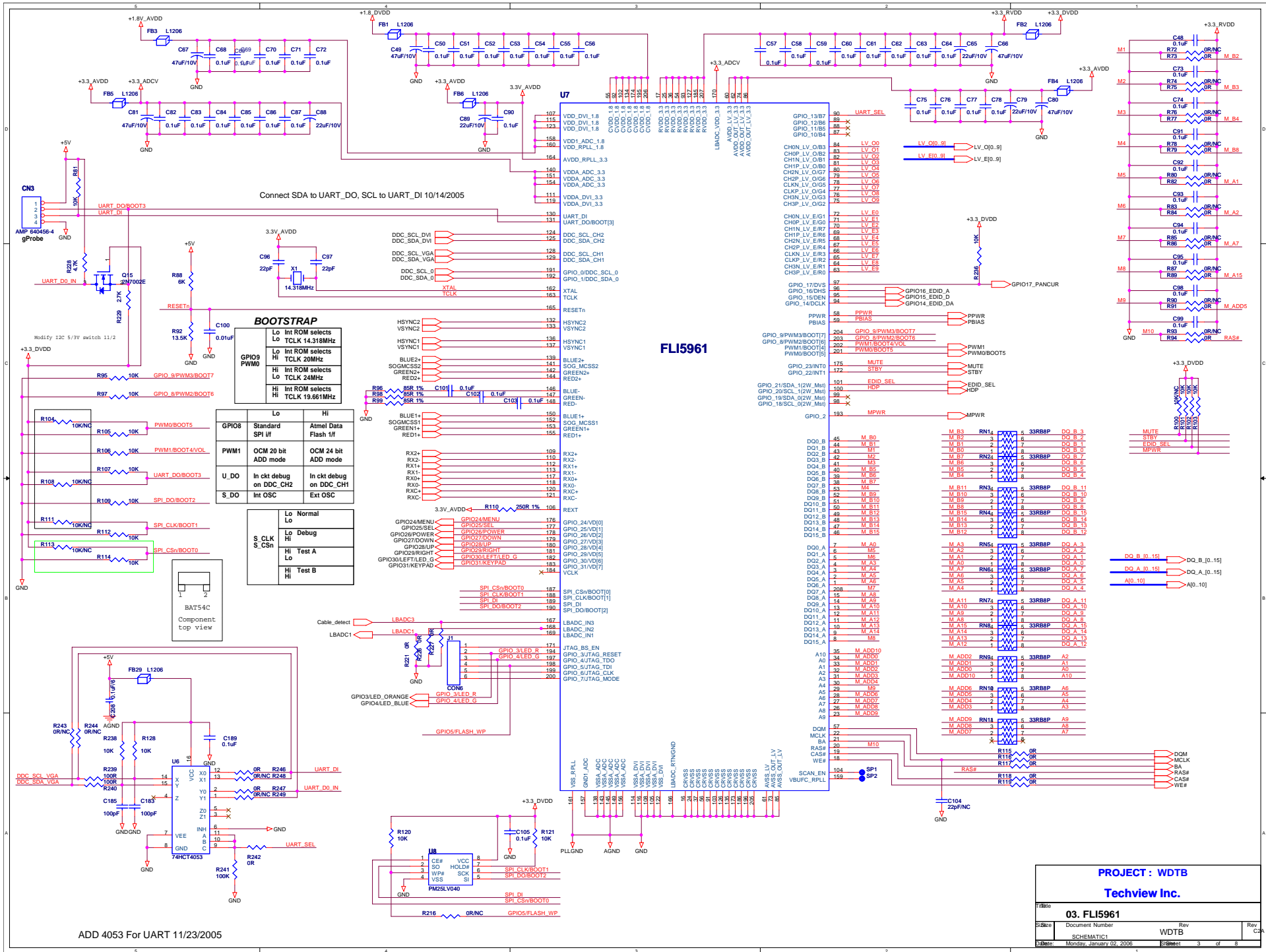


LV_Q[0..9] → LV_Q[0..9]
 LV_E[0..9] → LV_E[0..9]



PROJECT : WDTB
 Techview Inc.

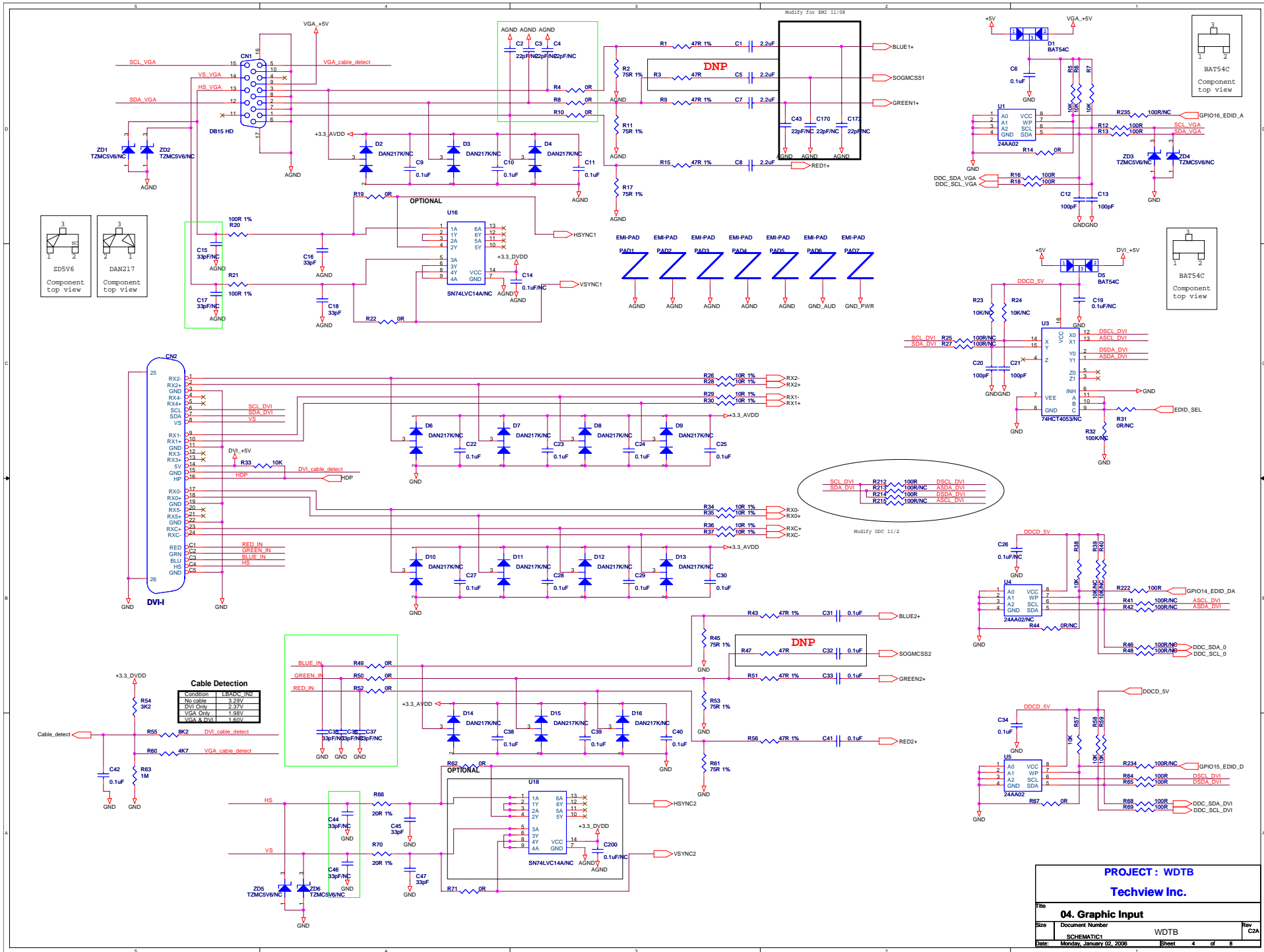
File	02. SDRAM/AMP/OUTPUT		
Size	Document Number	WDTB	Rev C2A
Schematic	SCHEMATIC1		
Sheet	Display: December 13, 2009	2 of 8	8



ADD 4053 For UART 11/23/2005

PROJECT : WDTB
Techview Inc.

File No	03. FLI5961		Rev	
Sheet No	Document Number	WDTB	Rev	
Sheet	Schematic1		3	of 8
Date	Monday, January 02, 2006	Sheet		



Chapter 8

Power Board Current set Information

Power Board AS05B560004

P/N	Model Name	Lamp Curren	AS05B560004
AAM240M2006	Samsung LTM240M2-L02 (VA)	6mA	NO Jump