

DIR	INT	DIR	INT	DIR	INT	DIR	INT	DIR	INT
	NORMAL		NORMAL		NORMAL		NORMAL		NORMAL
	LT		LT		LT		LT		LT
	OPEN		OPEN		OPEN		OPEN		OPEN
	LSI		LSI		LSI		LSI		LSI

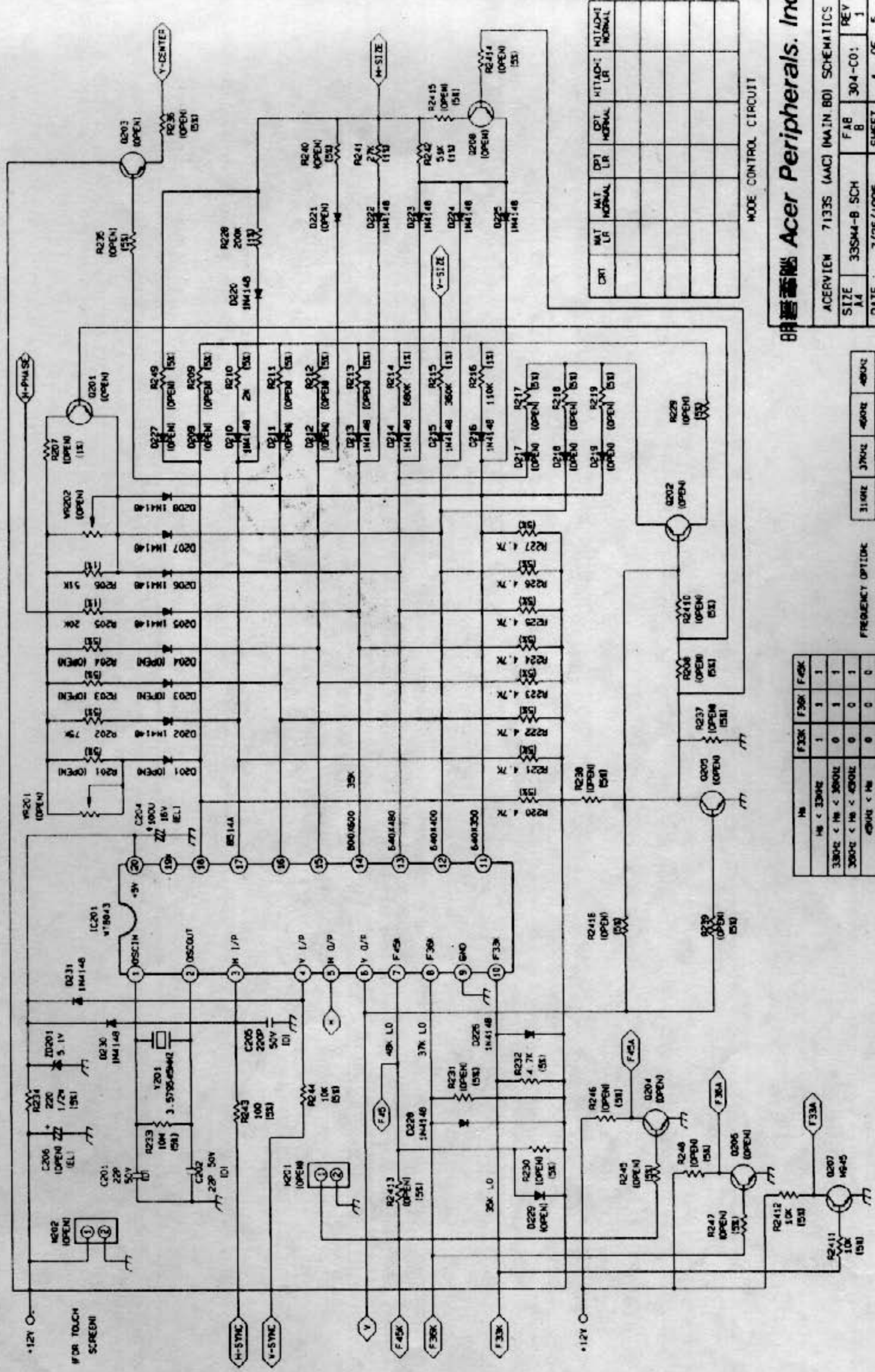
MODE CONTROL CIRCUIT

明通電腦 Acer Peripherals, Inc.
 ACERVIEW 71335 (A&C) (MAIN B0) SCHEMATICS
 SIZE 33594-B SCH FAB B 304-C0: REV 1
 DATE: 7/26/1995 SHEET 4 OF 5

IN	F33K	F36K	F46K
IN < 330K	1	1	1
330K < IN < 360K	0	0	1
360K < IN < 460K	0	1	0
460K < IN	0	0	0

FREQUENCY OPTIMIZ

310K	370K	460K	460K
------	------	------	------

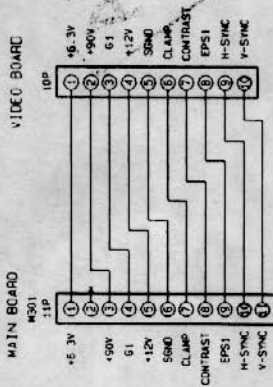
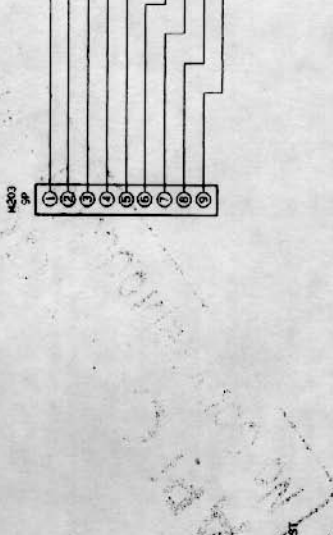
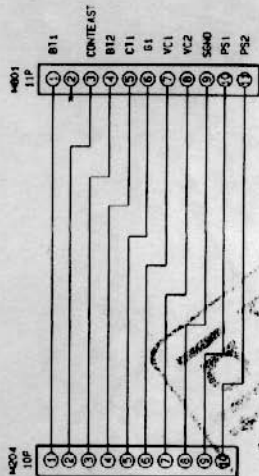
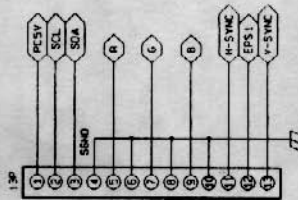


FREQUENCY OPTIOM

31.0KHZ	37KHZ	46.0KHZ	48KHZ
---------	-------	---------	-------

NB	F33K	F36K	F45K
NB < 330KZ	1	1	1
330KZ < NB < 360KZ	0	1	1
360KZ < NB < 400KZ	0	0	1
400KZ < NB	0	0	0

SIGNAL CABLE



FREQUENCY OPTION:

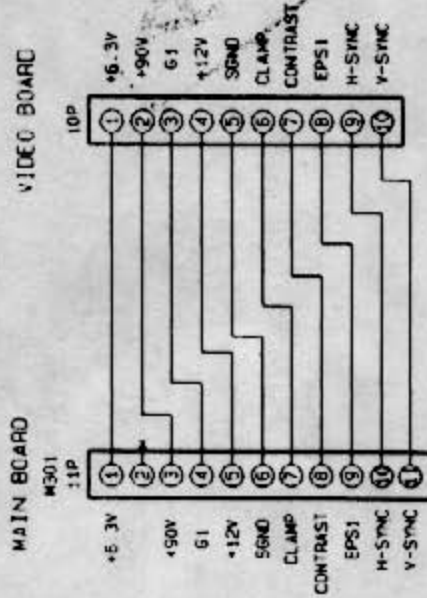
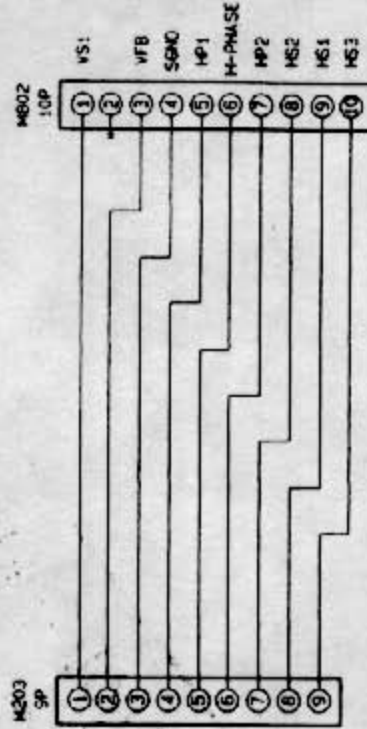
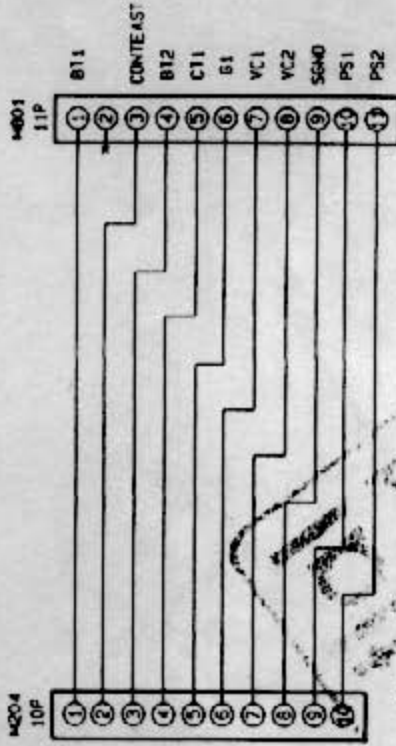
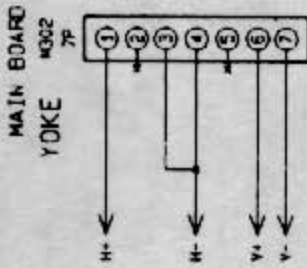
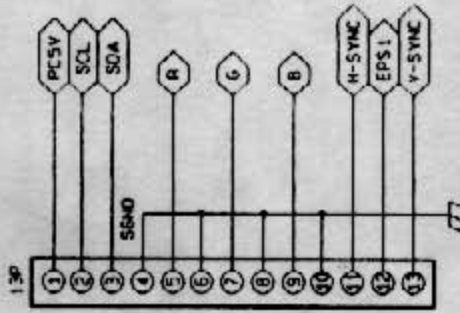
- 31KHZ 37KHZ 450KHZ 480KHZ

CONNECTOR CIRCUIT

明基電腦 Acer Peripherals, Inc.

ACERVIEW	71335 (AAC)	(MAIN 80)	SCHEMATICS
SIZE	33SM3-B	SCH	B
REV	304-C0	1	REV
DATE	7/26/1995	SHEET	3 OF 5

SIGNAL CABLE



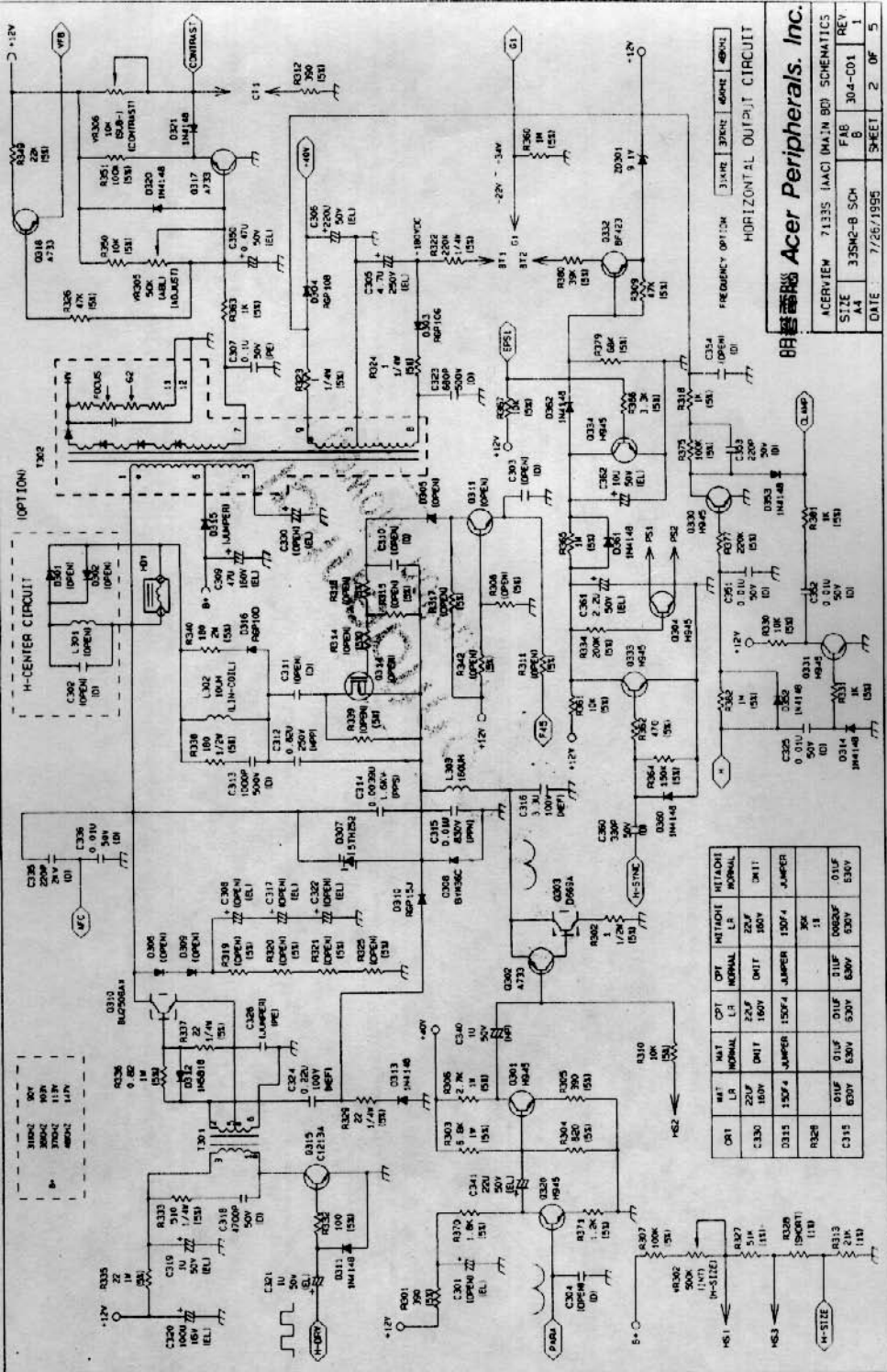
FREQUENCY OPTION:

35KHZ 37KHZ 45KHZ 48KHZ

CONNECTOR CIRCUIT

明基電腦 Acer Peripherals. Inc.

ACERVIEW 7133S (AAC) (MAIN.80) SCHEMATICS	
SIZE A4	FAB B
DATE 7/26/1995	REV. 304-C01
	SHEET 3 OF 5



(OPTION)

H-CENTER CIRCUIT

MT

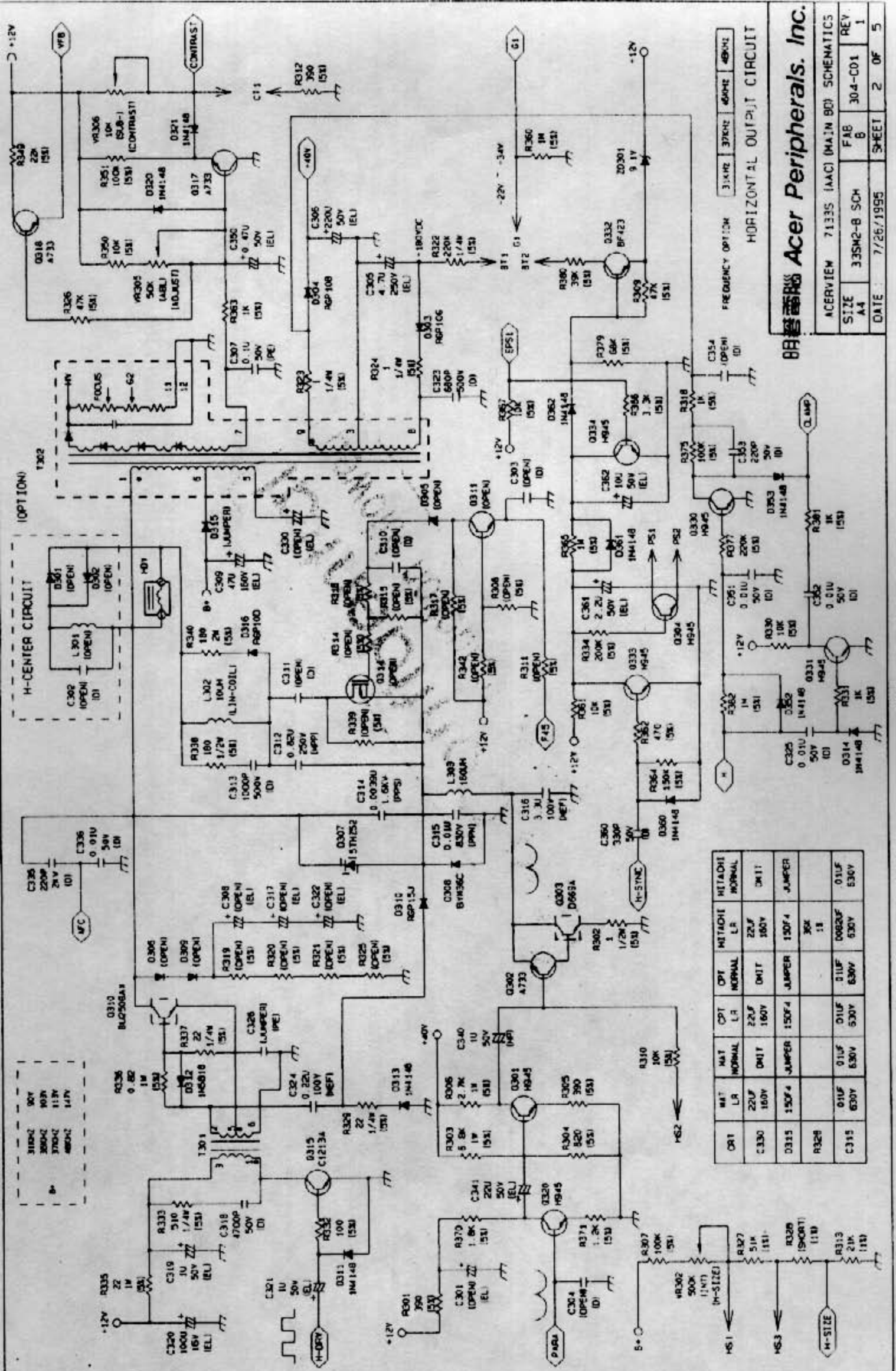
H-SIZE

FREQUENCY OPTION
 30KHZ 35KHZ 40KHZ 45KHZ

HORIZONTAL OUTPUT CIRCUIT

MT	OPT	MITACHI	MITACHI
OR1	LR	NORMAL	NORMAL
C330	DM17	220F	DM11
C335	JUMPER	1500F	JUMPER
R328	11K	11K	11K
C335	500V	500V	500V
C315	500V	500V	500V

明基電腦 Acer Peripherals, Inc.
 ACERVIEW 71335 (M.I.M. BDI) SCHEMATICS
 SIZE 35SHQ-B SCH FAB B 304-C01 REV 1
 DATE 7/26/1995 SHEET 2 OF 5



(OPTION)

H-CENTER CIRCUIT

B+

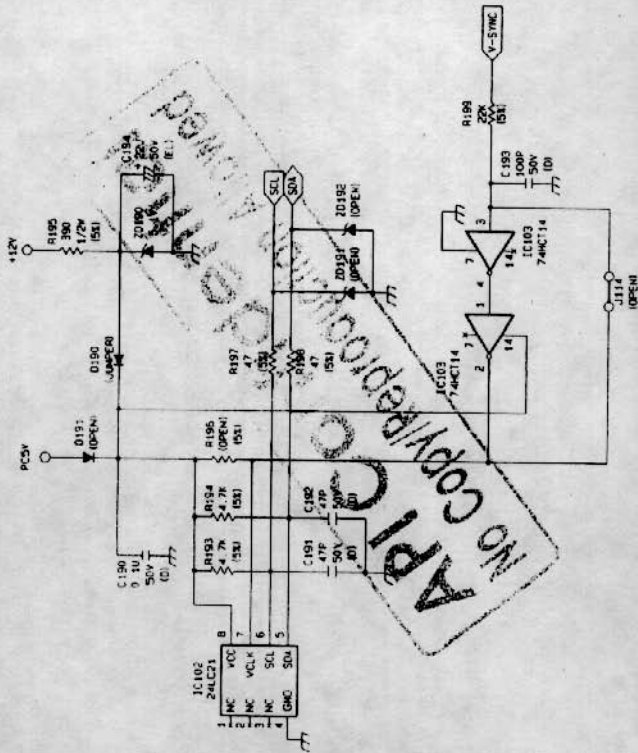
H-ORV

H-SIZE

FREQUENCY OPTION
 31.4KHZ 37.5KHZ 40.5KHZ 48KHZ
 HORIZONTAL OUTPUT CIRCUIT

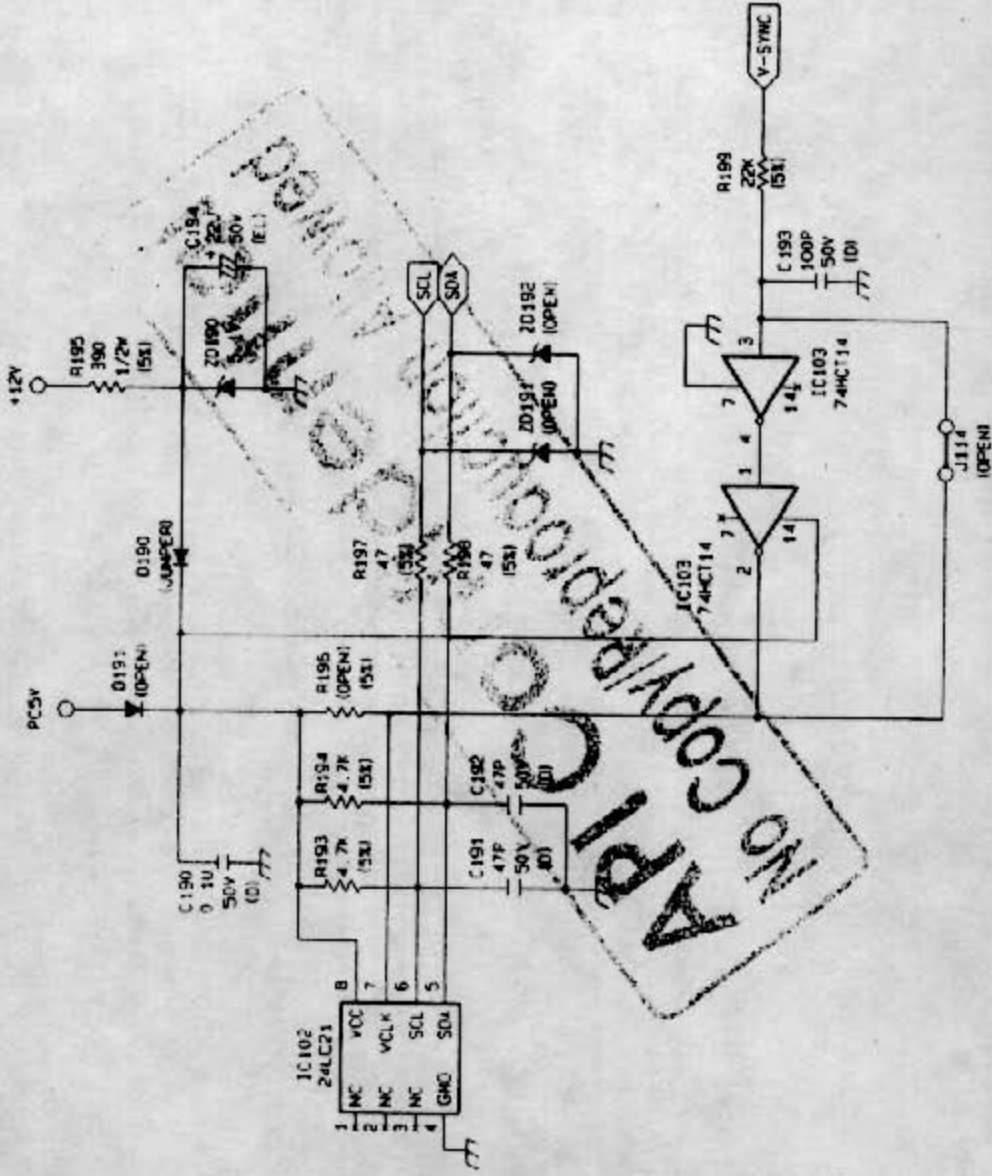
OR1	MAT	L/R	JUMPER	150F4	150F4	30K	11	011F	00820F	011F	011F	HITACHI	MITACHI	HITACHI
C330	22UF	160V	DM1T	DM1T	DM1T	DM1T	DM1T	DM1T	DM1T	DM1T	DM1T	DM1T	DM1T	DM1T
C315	011F	630V	011F	630V	011F	630V	011F	630V	011F	630V	011F	011F	011F	011F
C311	011F	630V	011F	630V	011F	630V	011F	630V	011F	630V	011F	011F	011F	011F
C310	011F	630V	011F	630V	011F	630V	011F	630V	011F	630V	011F	011F	011F	011F
C309	011F	630V	011F	630V	011F	630V	011F	630V	011F	630V	011F	011F	011F	011F
C308	011F	630V	011F	630V	011F	630V	011F	630V	011F	630V	011F	011F	011F	011F
C307	011F	630V	011F	630V	011F	630V	011F	630V	011F	630V	011F	011F	011F	011F
C306	011F	630V	011F	630V	011F	630V	011F	630V	011F	630V	011F	011F	011F	011F
C305	011F	630V	011F	630V	011F	630V	011F	630V	011F	630V	011F	011F	011F	011F
C304	011F	630V	011F	630V	011F	630V	011F	630V	011F	630V	011F	011F	011F	011F
C303	011F	630V	011F	630V	011F	630V	011F	630V	011F	630V	011F	011F	011F	011F
C302	011F	630V	011F	630V	011F	630V	011F	630V	011F	630V	011F	011F	011F	011F
C301	011F	630V	011F	630V	011F	630V	011F	630V	011F	630V	011F	011F	011F	011F

明基電腦 Acer Peripherals, Inc.
 ACERVIEW 71335 IAAC (MAIN BD) SCHEMATICS
 SIZE AA 335M2-B SCH FAB B 304-C01 REV. 1
 DATE 7/26/1995 SHEET 2 OF 5



明碁電腦 Acer Peripherals

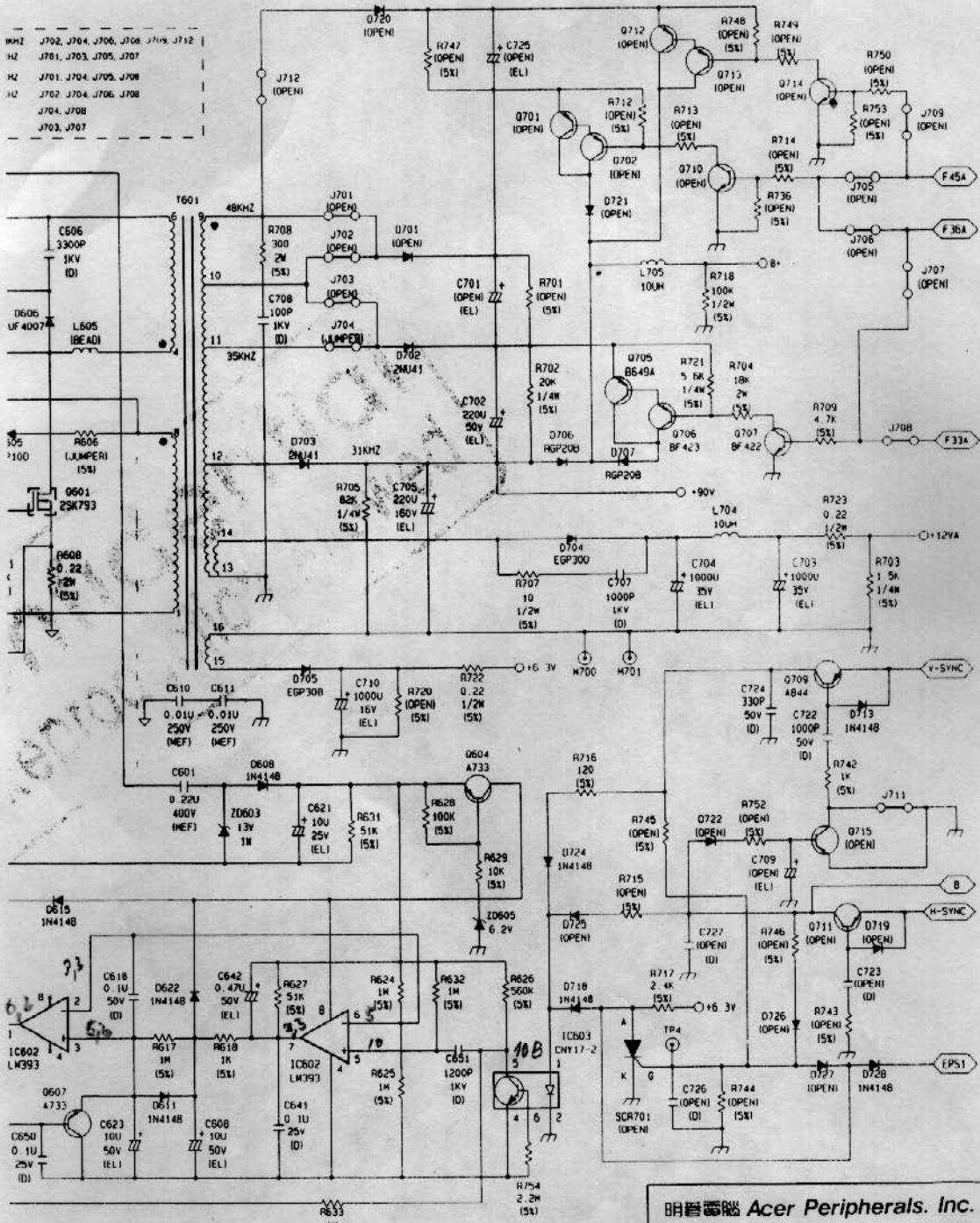
ACERVIEW	7:133S	(DOC KKT)	SCH	304-C
SIZE	A4	33SV2-4	SCH	FAB
DATE	6/11/2006			PICT



明睿電腦 Acer Peripherals

ACERVIEW	7:133S (DOC CKT)	SCH
SIZE	33SV2-4. SCH	FAB
A4		A
DATE		FILE
		30d-C

H1KHZ	J702, J704, J706, J708, J709, J712
H2	J781, J703, J705, J707
H3	J701, J704, J705, J708
H4	J702, J704, J706, J708
	J704, J708
	J703, J707



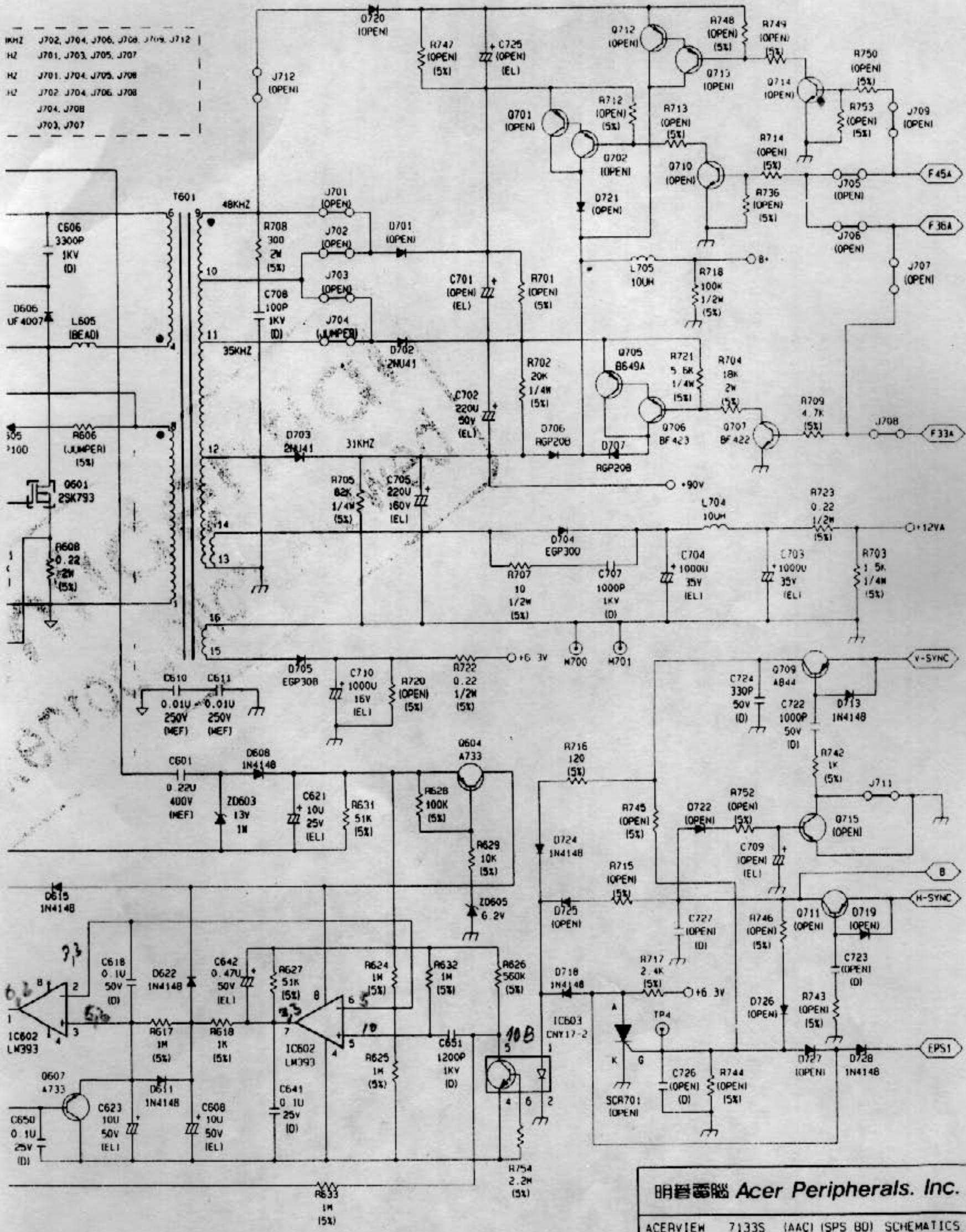
SMPS CIRCUIT

FREQUENCY OPTION: [31KHZ] [35KHZ] [46KHZ] [48KHZ]

明普電腦 Acer Peripherals, Inc.

ACERVIEW 7133S (AAC) (SPS BU) SCHEMATICS			
SIZE A3	33SSP-B SCH	FAB B	REV 1
DATE 7/26/1995	SHEET 5	OF 5	

- 1KHZ J702, J704, J706, J708, J709, J712
- 1HZ J701, J703, J705, J707
- 1/2HZ J701, J704, J705, J708
- 1/2HZ J702, J704, J706, J708
- J704, J708
- J703, J707



SMPS CIRCUIT

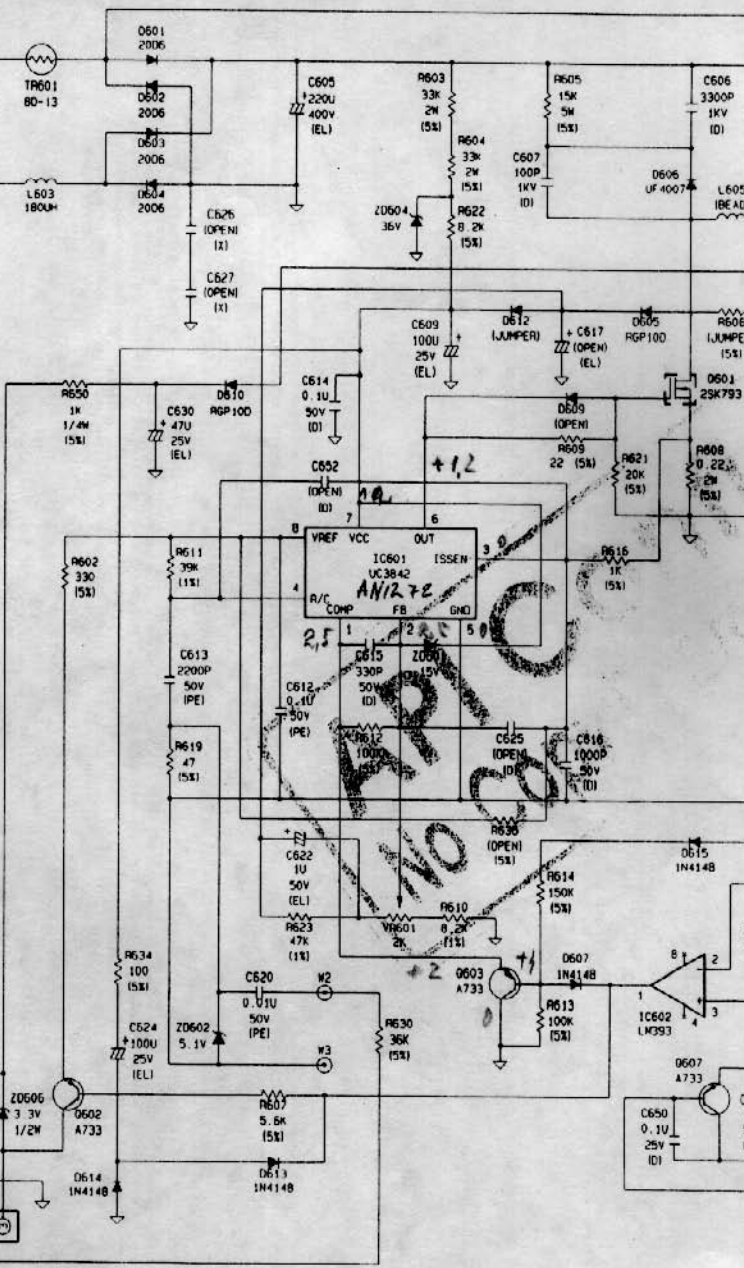
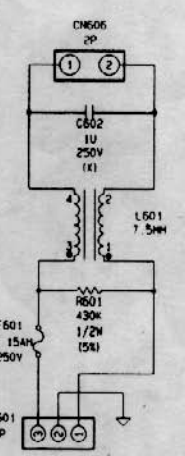
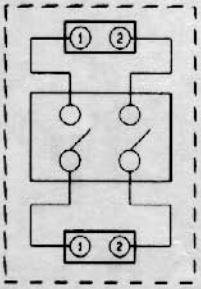
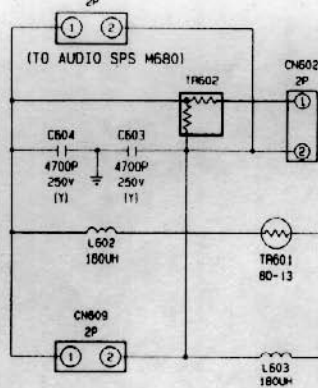
FREQUENCY OPTION: 31KHZ 37KHZ 46KHZ 48KHZ

明普電腦 Acer Peripherals, Inc.

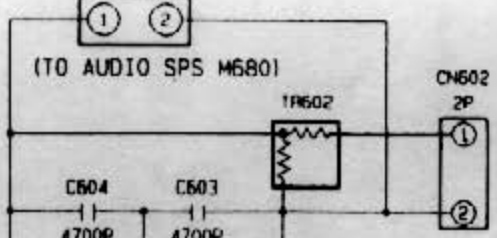
ACERVIEW 7133S (AAC) (SPS BD) SCHEMATICS

SIZE A3	FAB B	33SSP-B SCH	304 C01	REV 1
DATE 7/26/1995	SHEET 5	OF 5		

31/35/37/48KHZ	J702, J704
31/37/48KHZ	J701, J703
31/35/48KHZ	J701, J704
31/35/37KHZ	J702, J704
31/35KHZ	J704, J708
31/37KHZ	J703, J707



CN604
2P



31/35/37/48KHZ	J702, J704
31/37/48KHZ	J701, J703
31/35/48KHZ	J701, J704
31/35/37KHZ	J702, J704
31/35KHZ	J704, J708
31/37KHZ	J703, J707

