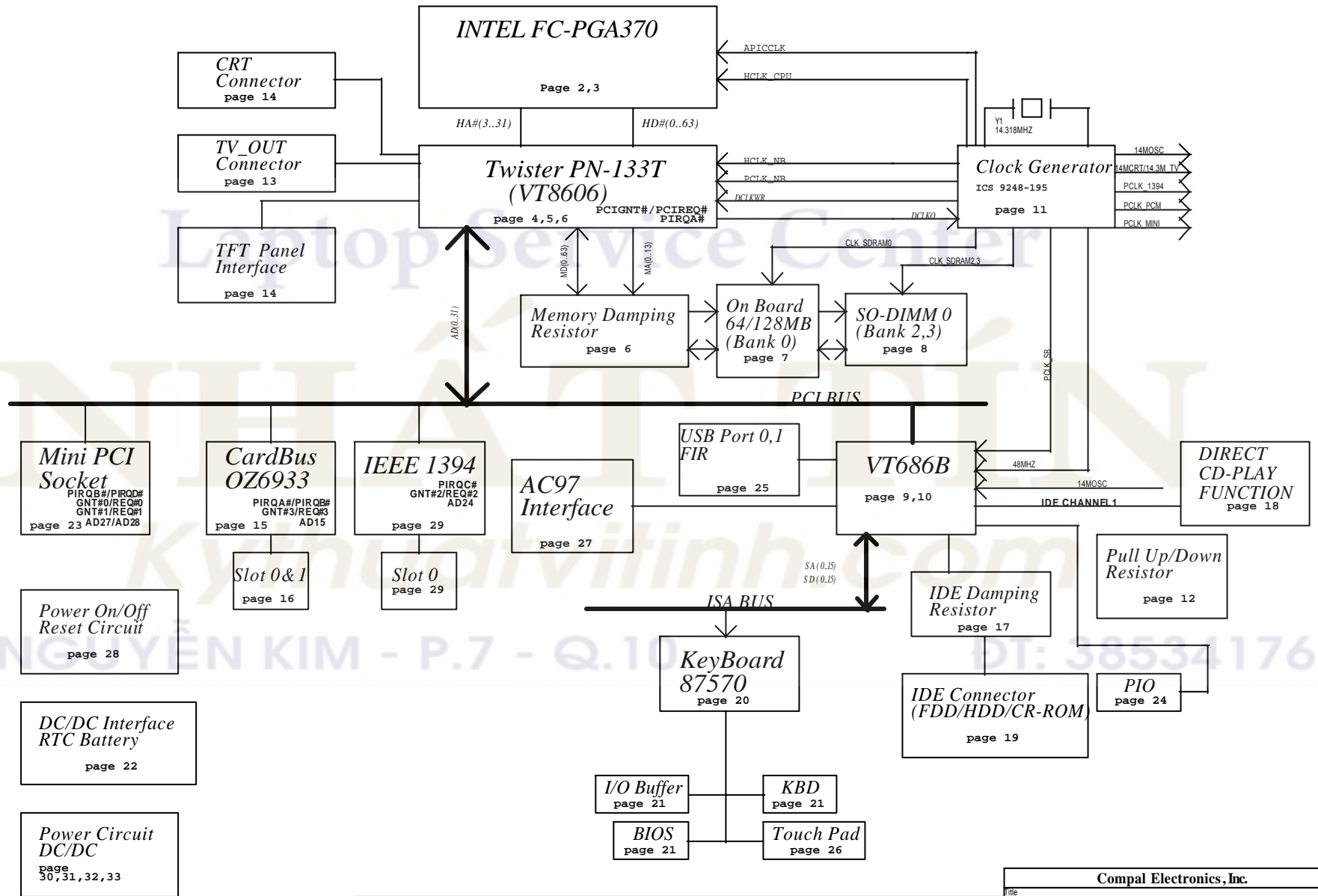
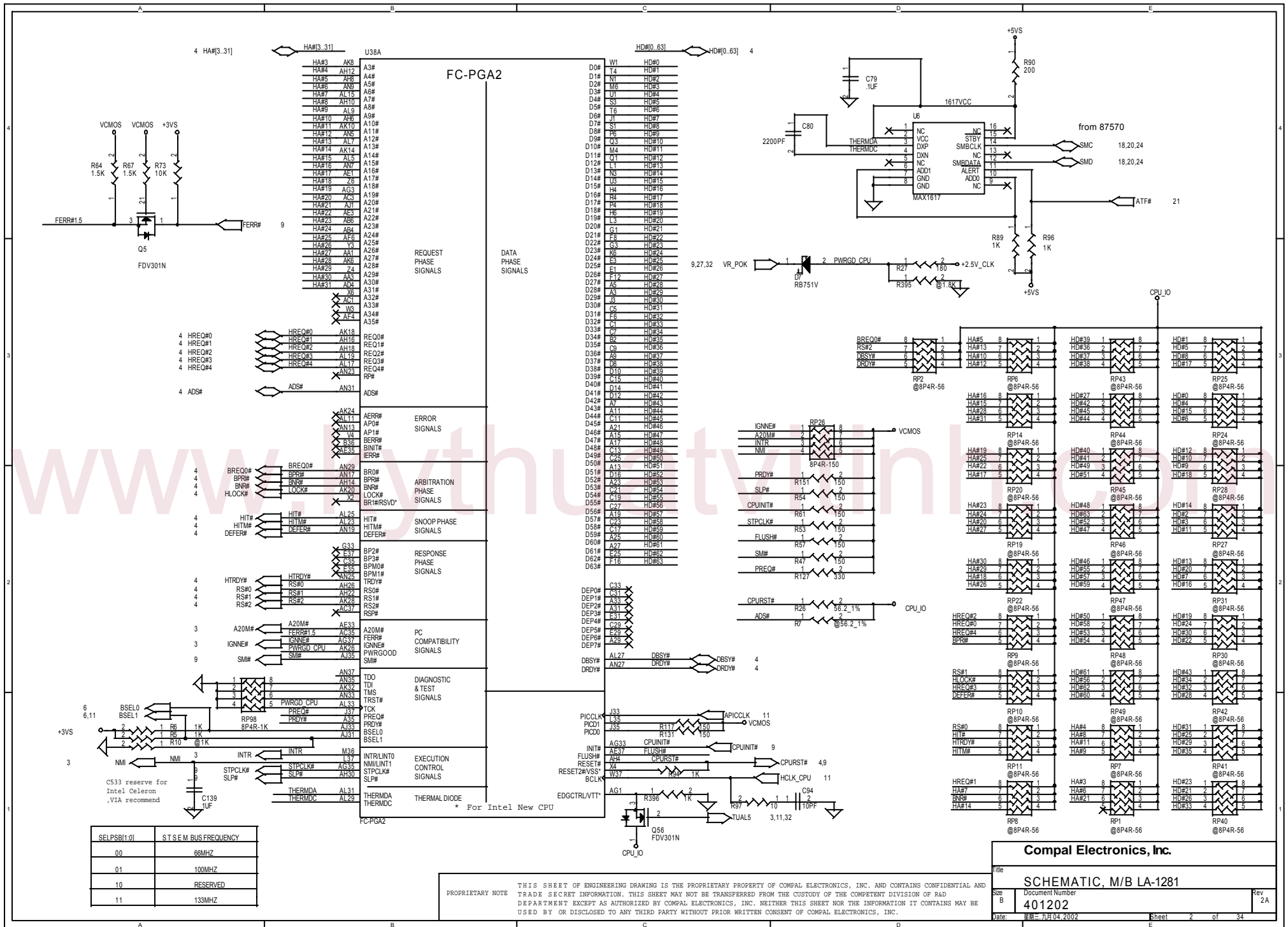


Model Name : CY23 LA-1281 Rev:2.0



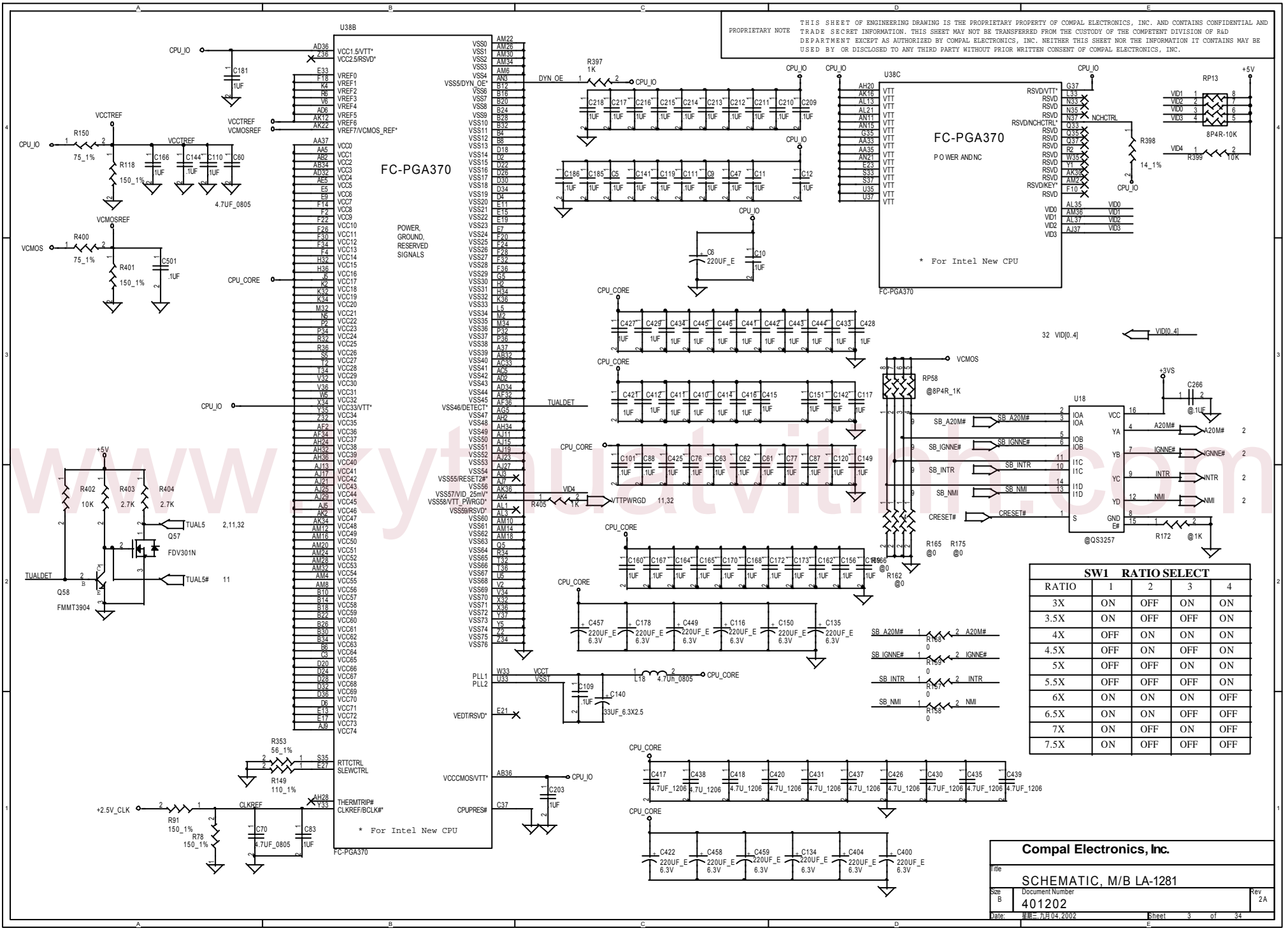
PROPRIETARY NOTE THIS SHEET OF ENGINEERING DRAWING IS THE PROPRIETARY PROPERTY OF COMPAL ELECTRONICS, INC. AND CONTAINS CONFIDENTIAL AND TRADE SECRET INFORMATION. THIS SHEET MAY NOT BE TRANSFERRED FROM THE CUSTODY OF THE COMPETENT DIVISION OF R&D DEPARTMENT EXCEPT AS AUTHORIZED BY COMPAL ELECTRONICS, INC. NEITHER THIS SHEET NOR THE INFORMATION IT CONTAINS MAY BE USED BY OR DISCLOSED TO ANY THIRD PARTY WITHOUT PRIOR WRITTEN CONSENT OF COMPAL ELECTRONICS, INC.

Compal Electronics, Inc.			
Title SCHEMATIC, M/BLA-1281			
Size B	Document Number 401202	Rev 2A	
Date: 2002.04.04	Sheet 1	of 34	



THIS SHEET OF ENGINEERING DRAWING IS THE PROPRIETARY PROPERTY OF COMPAL ELECTRONICS, INC. AND CONTAINS CONFIDENTIAL AND TRADE SECRET INFORMATION. THIS SHEET MAY NOT BE TRANSFERRED FROM THE CUSTODY OF THE COMPETENT DIVISION OF R&D DEPARTMENT EXCEPT AS AUTHORIZED BY COMPAL ELECTRONICS, INC. NEITHER THIS SHEET NOR THE INFORMATION IT CONTAINS MAY BE USED BY OR DISCLOSED TO ANY THIRD PARTY WITHOUT PRIOR WRITTEN CONSENT OF COMPAL ELECTRONICS, INC.

PROPRIETARY NOTE
 THIS SHEET OF ENGINEERING DRAWING IS THE PROPRIETARY PROPERTY OF COMPAL ELECTRONICS, INC. AND CONTAINS CONFIDENTIAL AND TRADE SECRET INFORMATION. THIS SHEET MAY NOT BE TRANSFERRED FROM THE CUSTODY OF THE COMPETENT DIVISION OF R&D DEPARTMENT EXCEPT AS AUTHORIZED BY COMPAL ELECTRONICS, INC. NEITHER THIS SHEET NOR THE INFORMATION IT CONTAINS MAY BE USED BY OR DISCLOSED TO ANY THIRD PARTY WITHOUT PRIOR WRITTEN CONSENT OF COMPAL ELECTRONICS, INC.



SW1 RATIO SELECT				
RATIO	1	2	3	4
3X	ON	OFF	ON	ON
3.5X	ON	OFF	OFF	ON
4X	OFF	ON	ON	ON
4.5X	OFF	ON	OFF	ON
5X	OFF	OFF	ON	ON
5.5X	OFF	OFF	OFF	ON
6X	ON	ON	ON	OFF
6.5X	ON	ON	OFF	OFF
7X	ON	OFF	ON	OFF
7.5X	ON	OFF	OFF	OFF

Compal Electronics, Inc.

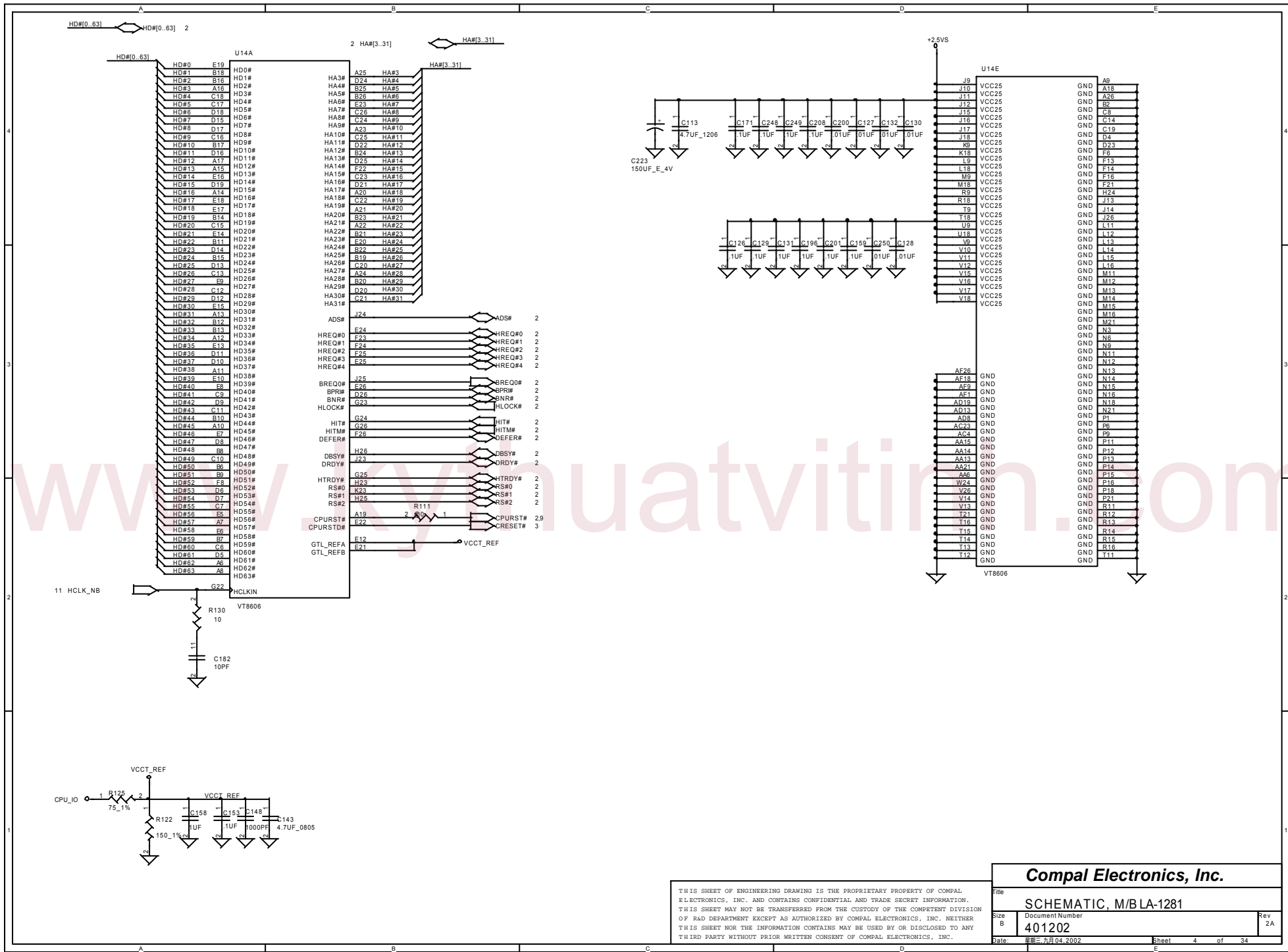
File: **SCHEMATIC, M/B LA-1281**

Doc Number: **401202**

Date: 星期三, 五月 04, 2002

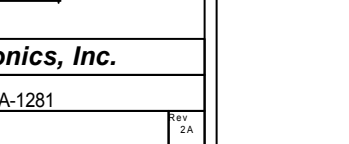
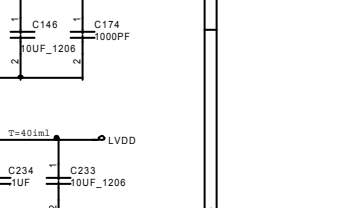
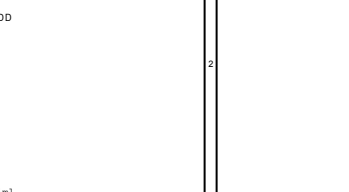
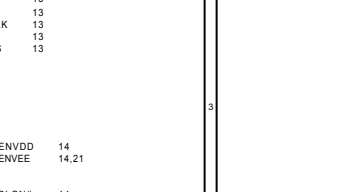
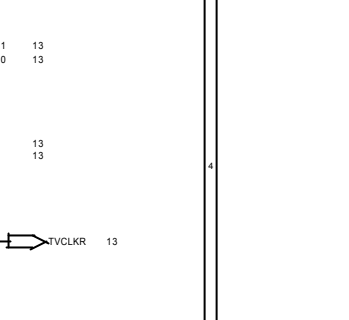
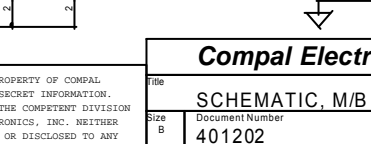
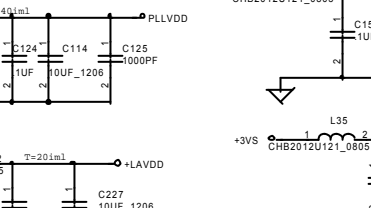
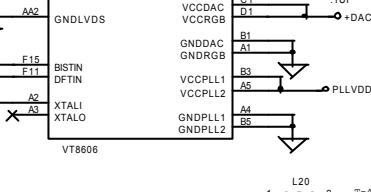
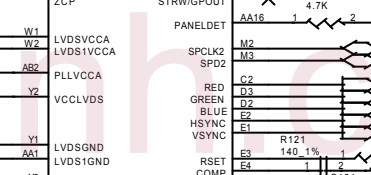
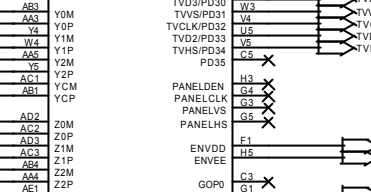
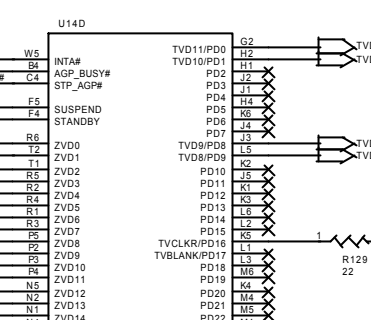
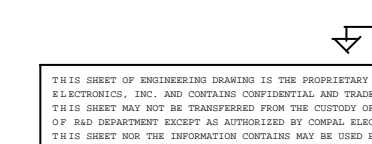
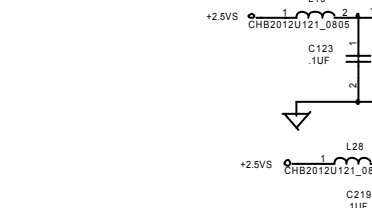
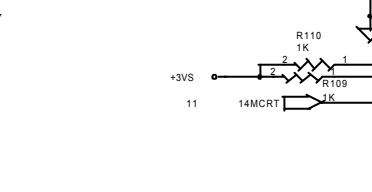
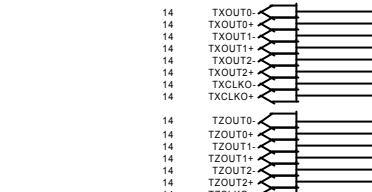
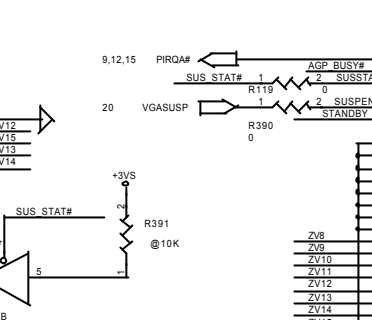
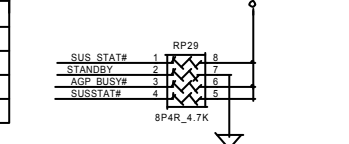
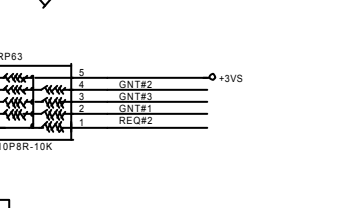
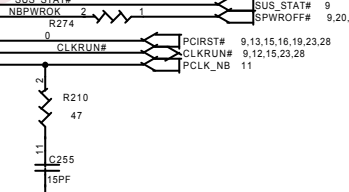
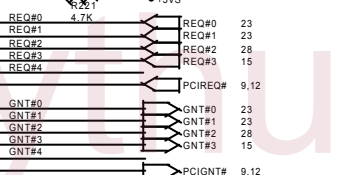
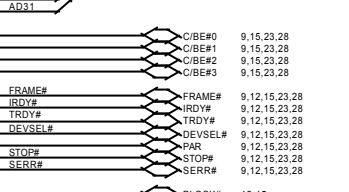
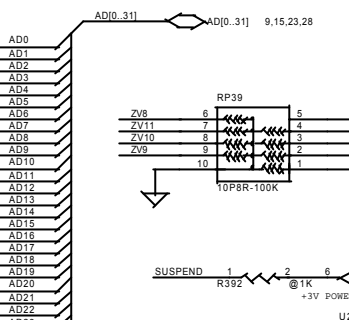
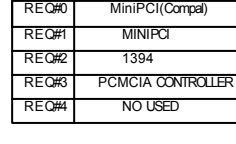
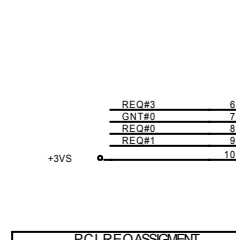
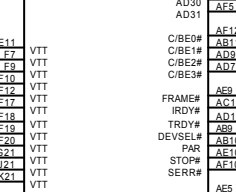
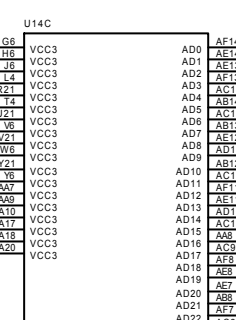
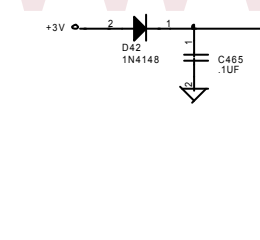
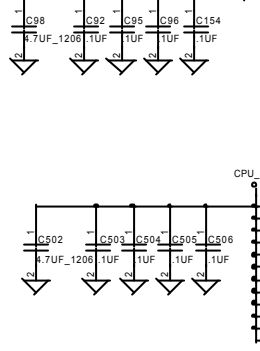
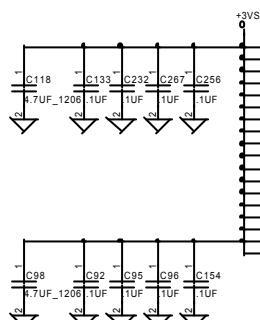
Sheet: **3** of 34

Rev: **2A**

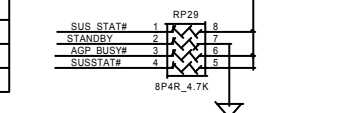


Compal Electronics, Inc.	
Title SCHEMATIC, M/B LA-1281	
Size B	Document Number 401202
Date: 星期三, 九月 04, 2002	Sheet 4 of 34
Rev 2A	

THIS SHEET OF ENGINEERING DRAWING IS THE PROPRIETARY PROPERTY OF COMPAL ELECTRONICS, INC. AND CONTAINS CONFIDENTIAL AND TRADE SECRET INFORMATION. THIS SHEET MAY NOT BE TRANSFERRED FROM THE CUSTODY OF THE COMPETENT DIVISION OF R&D DEPARTMENT EXCEPT AS AUTHORIZED BY COMPAL ELECTRONICS, INC. NEITHER THIS SHEET NOR THE INFORMATION CONTAINS MAY BE USED BY OR DISCLOSED TO ANY THIRD PARTY WITHOUT PRIOR WRITTEN CONSENT OF COMPAL ELECTRONICS, INC.



PCI REASSIGNMENT	
REQ#0	MiniPCI(Compal)
REQ#1	MINIPCI
REQ#2	1394
REQ#3	PCMCIA CONTROLLER
REQ#4	NO USED



THIS SHEET OF ENGINEERING DRAWING IS THE PROPRIETARY PROPERTY OF COMPAL ELECTRONICS, INC. AND CONTAINS CONFIDENTIAL AND TRADE SECRET INFORMATION. THIS SHEET MAY NOT BE TRANSFERRED FROM THE CUSTODY OF THE COMPETENT DIVISION OF R&D DEPARTMENT EXCEPT AS AUTHORIZED BY COMPAL ELECTRONICS, INC. NEITHER THIS SHEET NOR THE INFORMATION CONTAINS MAY BE USED BY OR DISCLOSED TO ANY THIRD PARTY WITHOUT PRIOR WRITTEN CONSENT OF COMPAL ELECTRONICS, INC.

Compal Electronics, Inc.

File: SCHEMATIC, M/B LA-1281

Size: Document Number 401202

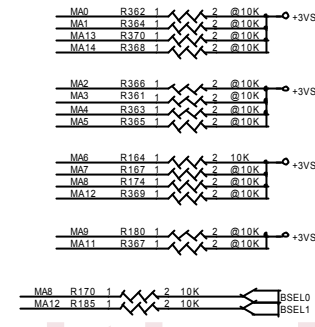
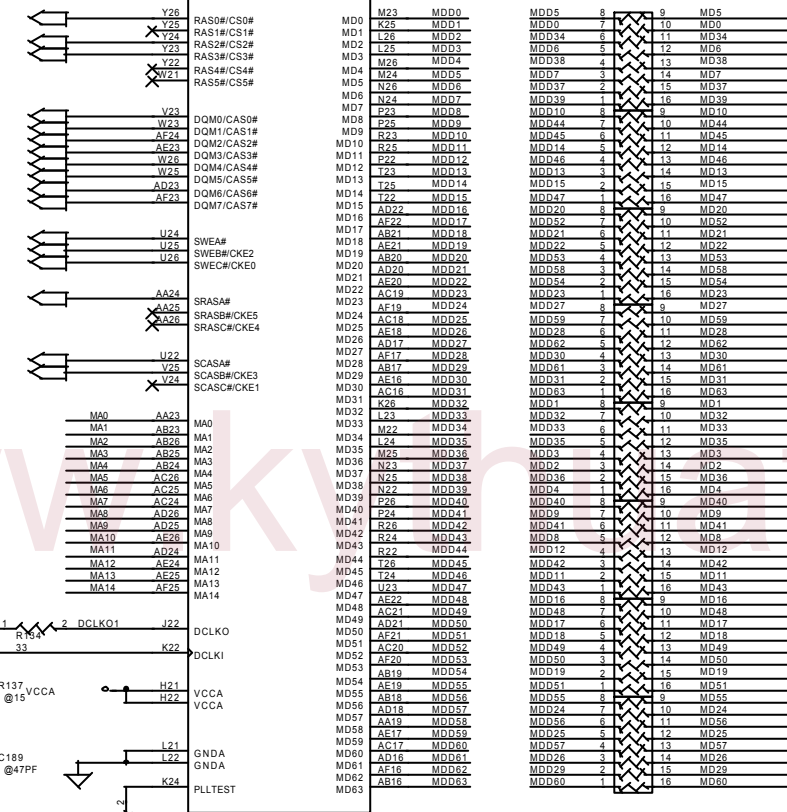
Date: 星期三, 九月04, 2002

Sheet: 5 of 34

Rev: 2A

MD[0..63] MD[0..63] 7,8

U14B



Strap	Description	Setting
MA12,8	CPU Clock Frequency	01=100MHz 11=133MHz 00=66MHz
MA2	PCI Base Address Mapping	0=Map0 1=Map1
MA3	Graphic IO Enable/Disable	0=Enable 1=Disable
MA4	PCI Interrupt	0=Enable 1=Disable
MA7	Graphic Test Mode	0=Normal 1=Test
MA9	VGA Clock Select	0=PLL 1=External
MA11	IOQ Level	0=4Level 1=1Level
MA0,1,13,14	Panel Type	

C187
10PF

11 DCLKO

11 DCLKWR

R137
@15VCCA

C189
@47PF

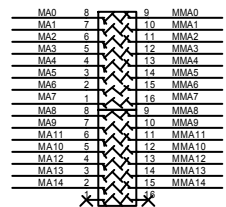
+2.5VS

L23
CHB2012U121_0805

T=40iml

C451
.1UF

C448
10UF_1210



7,8 MMA[0..14] MMA[0..14]

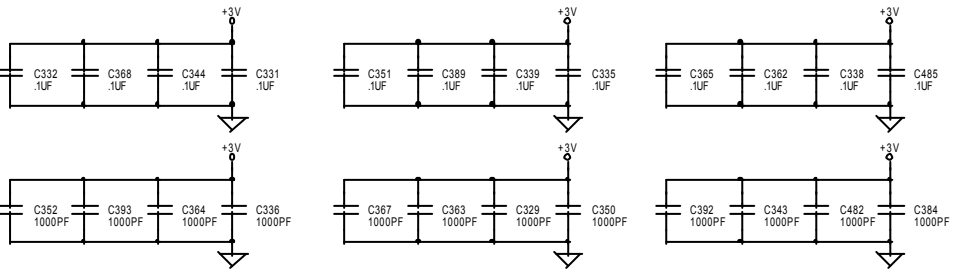
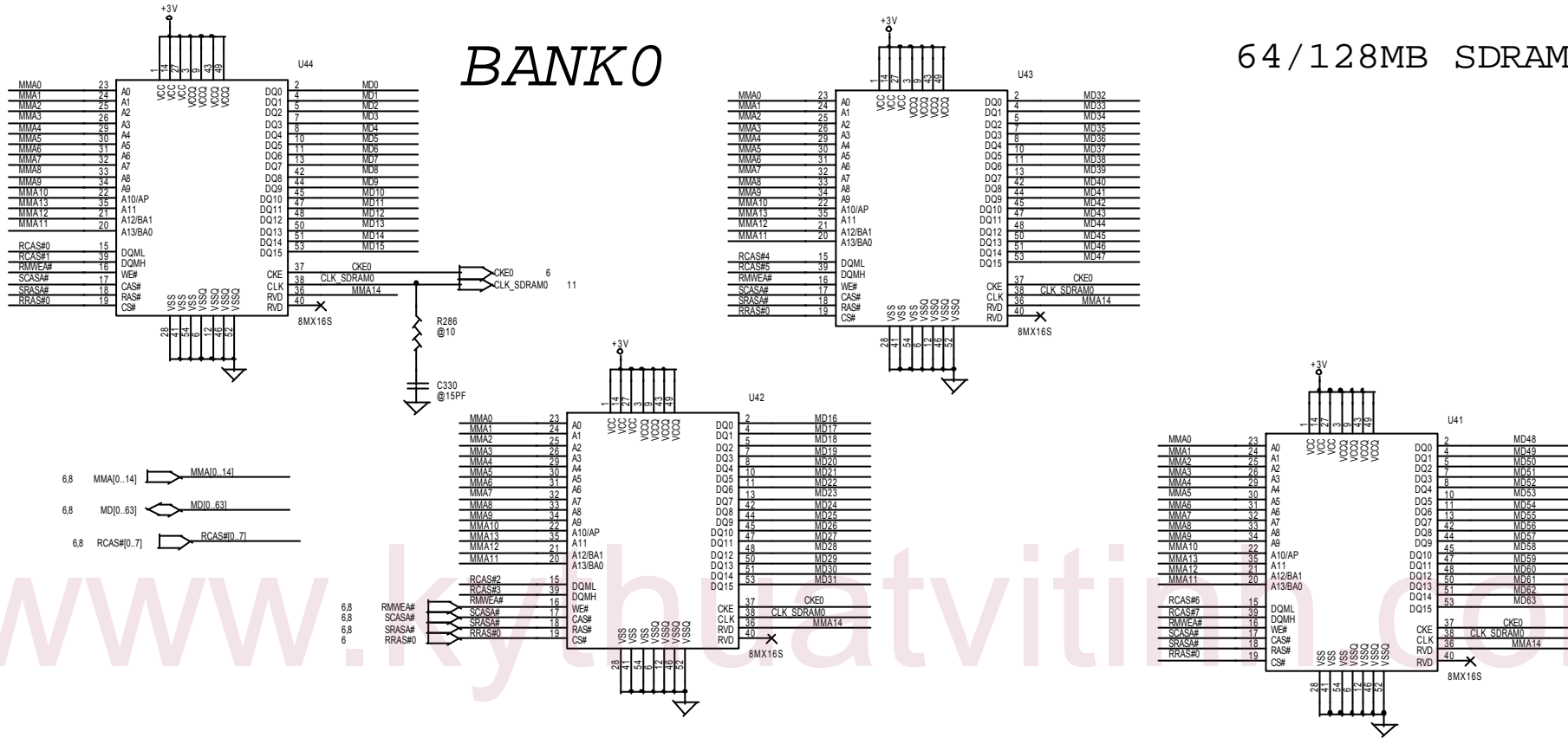
Compal Electronics, Inc.

THIS SHEET OF ENGINEERING DRAWING IS THE PROPRIETARY PROPERTY OF COMPAL ELECTRONICS, INC. AND CONTAINS CONFIDENTIAL AND TRADE SECRET INFORMATION. THIS SHEET MAY NOT BE TRANSFERRED FROM THE CUSTODY OF THE COMPETENT DIVISION OF R&D DEPARTMENT EXCEPT AS AUTHORIZED BY COMPAL ELECTRONICS, INC. NEITHER THIS SHEET NOR THE INFORMATION CONTAINS MAY BE USED BY OR DISCLOSED TO ANY THIRD PARTY WITHOUT PRIOR WRITTEN CONSENT OF COMPAL ELECTRONICS, INC.

Title	SCHEMATIC, M/B LA-1281	
Size	Document Number	Rev
Custom	401202	2A
Date:	星期三, 九月 04, 2002	Sheet 6 of 34

BANK 0

64/128MB SDRAM

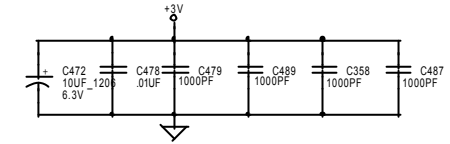
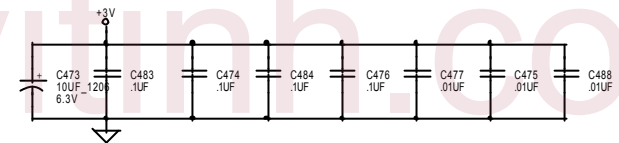
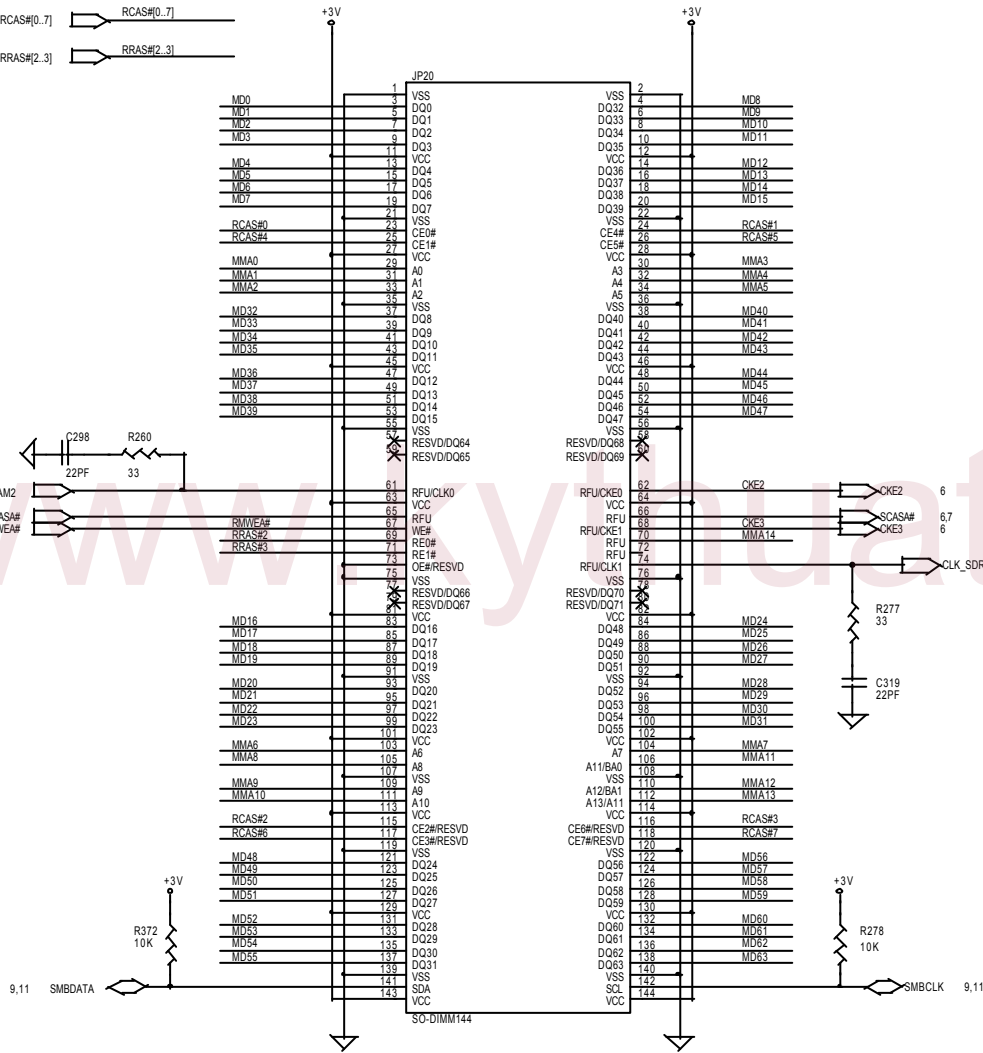
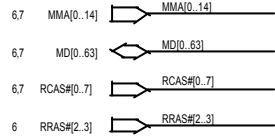


PROPRIETARY NOTE THIS SHEET OF ENGINEERING DRAWING IS THE PROPRIETARY PROPERTY OF COMPAL ELECTRONICS, INC. AND CONTAINS CONFIDENTIAL AND TRADE SECRET INFORMATION. THIS SHEET MAY NOT BE TRANSFERRED FROM THE CUSTODY OF THE COMPETENT DIVISION OF R&D DEPARTMENT EXCEPT AS AUTHORIZED BY COMPAL ELECTRONICS, INC. NEITHER THIS SHEET NOR THE INFORMATION IT CONTAINS MAY BE USED BY OR DISCLOSED TO ANY THIRD PARTY WITHOUT PRIOR WRITTEN CONSENT OF COMPAL ELECTRONICS, INC.

Compal Electronics, Inc.			
Title SCHEMATIC, M/B LA-1281			
Size B	Document Number 401202	Rev 2A	
Date 日期: 五月04, 2002	Sheet 7	of 34	

SO-DIM 144 PINS
RAM MODULE CONN.

BANK 2 / 3



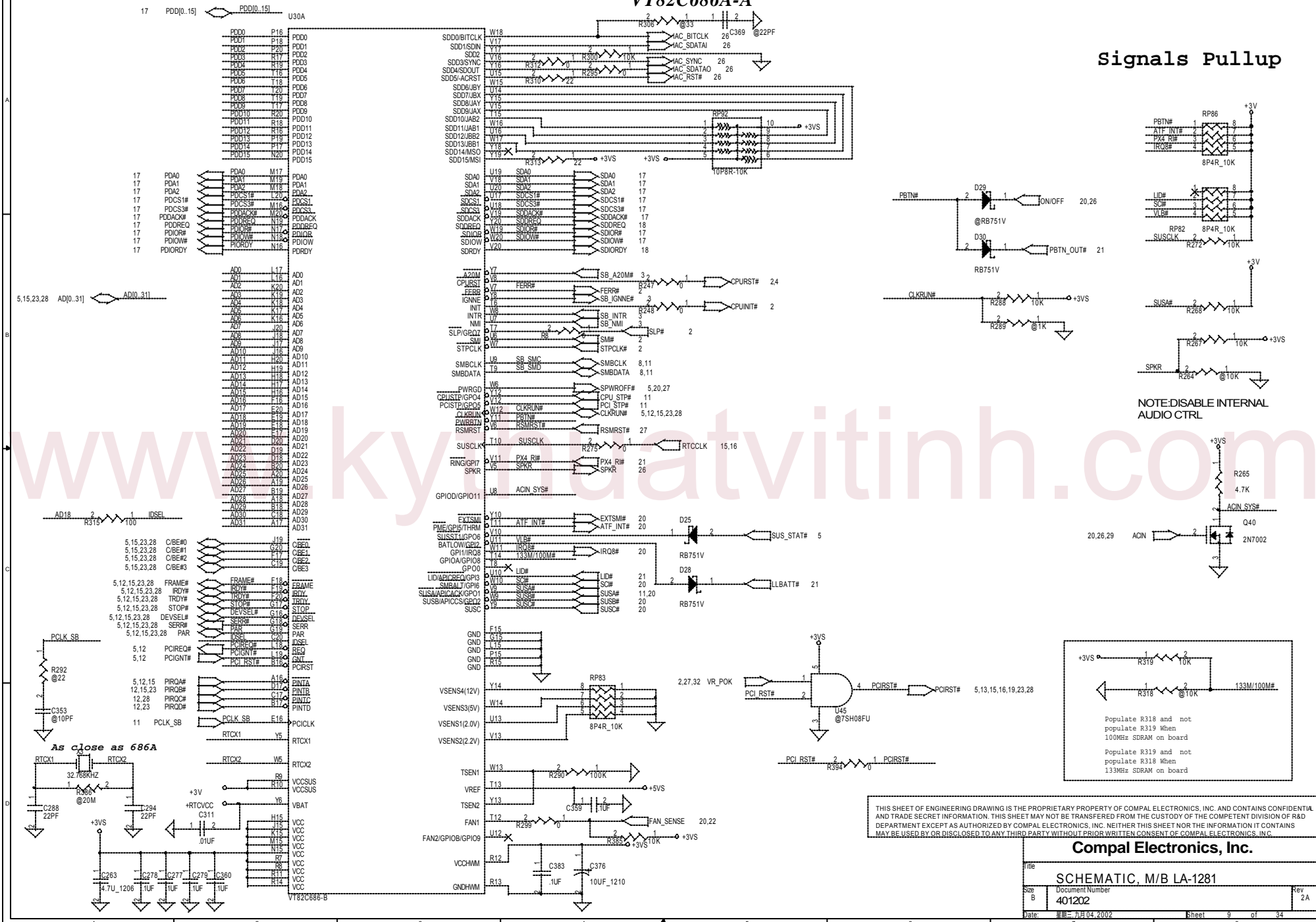
DIMM1

PROPRIETARY NOTE THIS SHEET OF ENGINEERING DRAWING IS THE PROPRIETARY PROPERTY OF COMPAL ELECTRONICS, INC. AND CONTAINS CONFIDENTIAL AND TRADE SECRET INFORMATION. THIS SHEET MAY NOT BE TRANSFERRED FROM THE CUSTODY OF THE COMPETENT DIVISION OF R&D DEPARTMENT EXCEPT AS AUTHORIZED BY COMPAL ELECTRONICS, INC. NEITHER THIS SHEET NOR THE INFORMATION IT CONTAINS MAY BE USED BY OR DISCLOSED TO ANY THIRD PARTY WITHOUT PRIOR WRITTEN CONSENT OF COMPAL ELECTRONICS, INC.

Compal Electronics, Inc.			
Title SCHEMATIC, M/B LA-1281			
Size B	Document Number 401202	Rev 2A	
Date 日期: 三月 04, 2002	Sheet 8 of 34		

VT82C686A-A

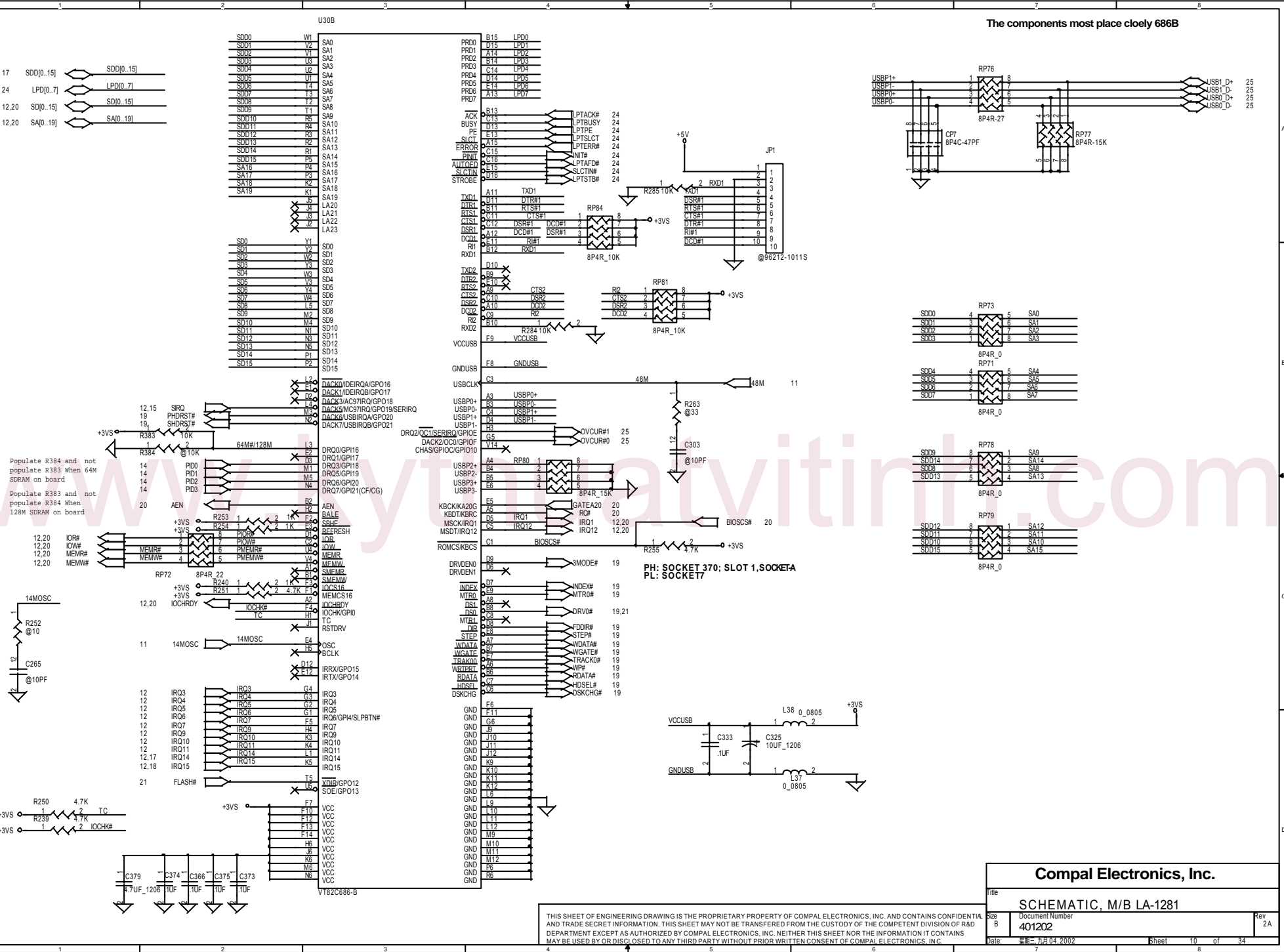
Signals Pullup



THIS SHEET OF ENGINEERING DRAWING IS THE PROPRIETARY PROPERTY OF COMPAL ELECTRONICS, INC. AND CONTAINS CONFIDENTIAL AND TRADE SECRET INFORMATION. THIS SHEET MAY NOT BE TRANSFERRED FROM THE CUSTODY OF THE COMPETENT DIVISION OF R&D DEPARTMENT EXCEPT AS AUTHORIZED BY COMPAL ELECTRONICS, INC. NEITHER THIS SHEET NOR THE INFORMATION IT CONTAINS MAY BE USED BY OR DISCLOSED TO ANY THIRD PARTY WITHOUT PRIOR WRITTEN CONSENT OF COMPAL ELECTRONICS, INC.

Compal Electronics, Inc.

Title		SCHEMATIC, M/B LA-1281	
Size	Document Number	401202	
Rev	Date	Sheet	2A
B	2002.04.04	9	34



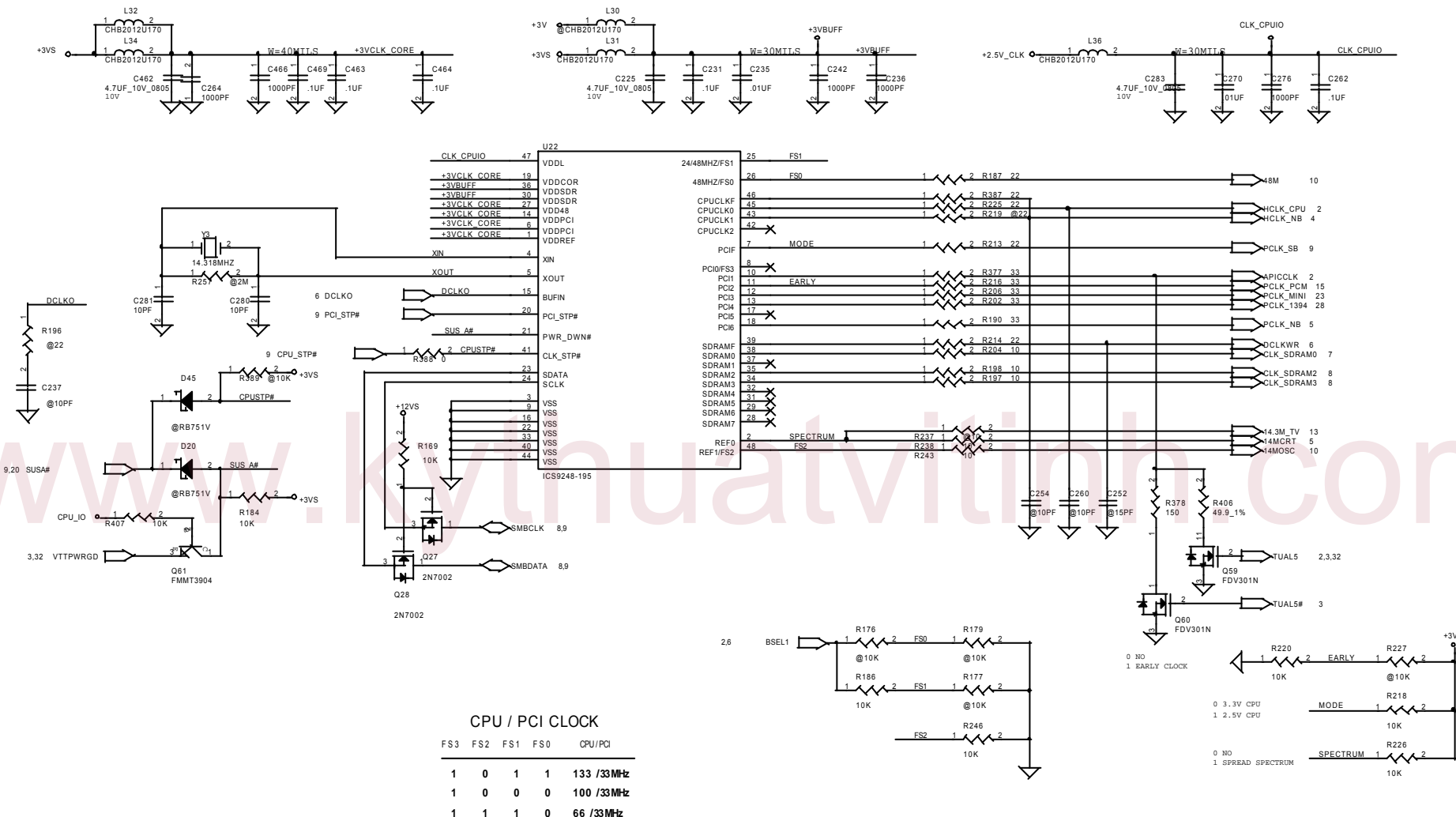
U30B

The components must place cloely 686B

Compal Electronics, Inc.			
Title	SCHEMATIC, M/B LA-1281		
Rev	Document Number		
401202			
Date:	2002年04月02日	Sheet	10 of 34

THIS SHEET OF ENGINEERING DRAWING IS THE PROPRIETARY PROPERTY OF COMPAL ELECTRONICS, INC. AND CONTAINS CONFIDENTIAL AND TRADE SECRET INFORMATION. THIS SHEET MAY NOT BE TRANSFERRED FROM THE CUSTODY OF THE COMPETENT DIVISION OF R&D DEPARTMENT EXCEPT AS AUTHORIZED BY COMPAL ELECTRONICS, INC. NEITHER THIS SHEET NOR THE INFORMATION IT CONTAINS MAY BE USED BY OR DISCLOSED TO ANY THIRD PARTY WITHOUT PRIOR WRITTEN CONSENT OF COMPAL ELECTRONICS, INC.

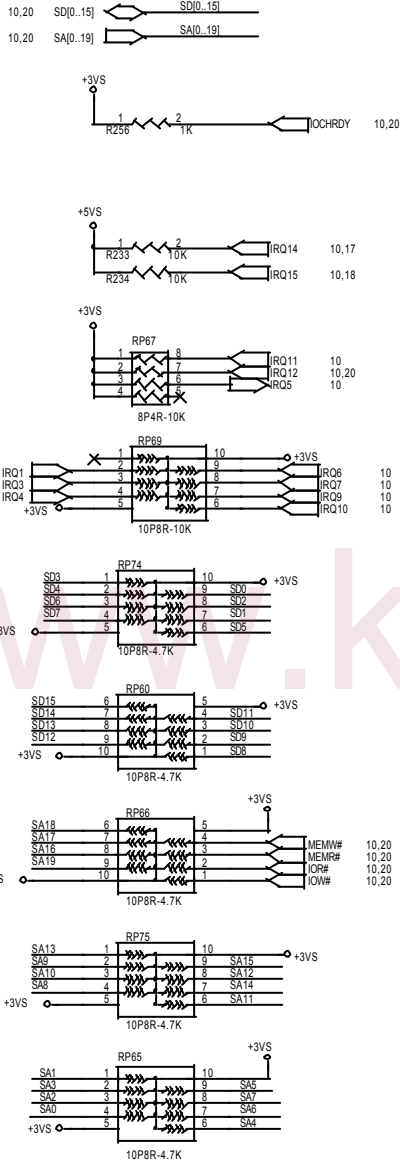
CLOCK GENERATOR & BUFFER



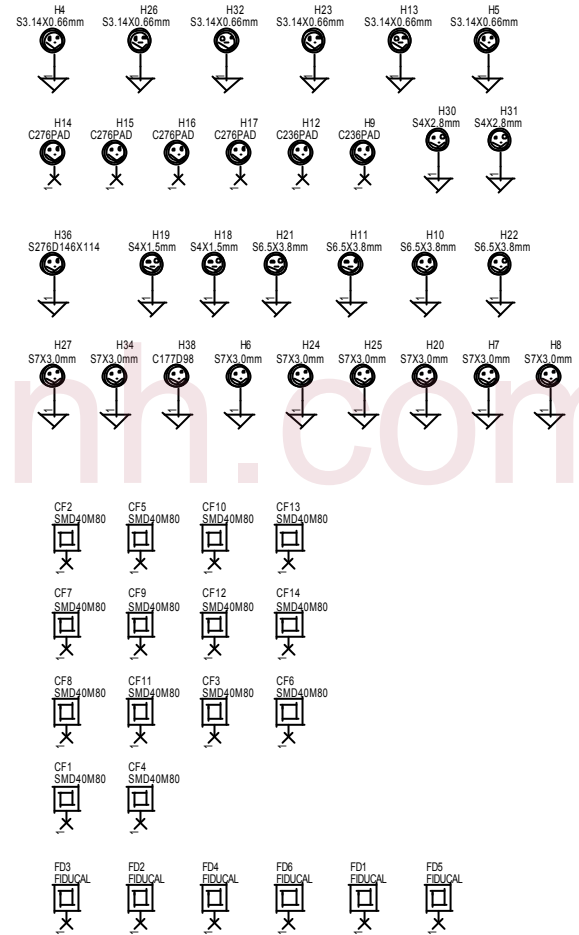
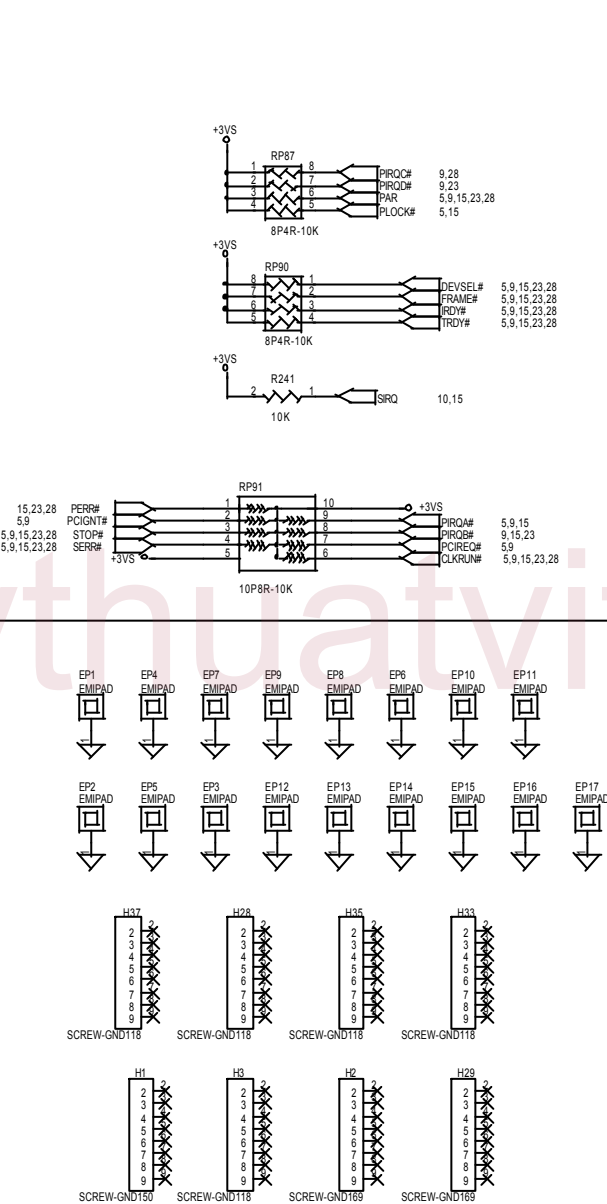
THIS SHEET OF ENGINEERING DRAWING IS THE PROPRIETARY PROPERTY OF COMPAL ELECTRONICS, INC. AND CONTAINS CONFIDENTIAL AND TRADE SECRET INFORMATION. THIS SHEET MAY NOT BE TRANSFERRED FROM THE CUSTODY OF THE COMPETENT DIVISION OF R&D DEPARTMENT EXCEPT AS AUTHORIZED BY COMPAL ELECTRONICS, INC. NEITHER THIS SHEET NOR THE INFORMATION IT CONTAINS MAY BE USED BY OR DISCLOSED TO ANY THIRD PARTY WITHOUT PRIOR WRITTEN CONSENT OF COMPAL ELECTRONICS, INC.

Compal Electronics, Inc.		
Title	SCHEMATIC, M/BLA-1281	
Size	Document Number	Rev
	401202	2A
Date	日期: 九月04, 2002	Sheet 11 of 34

ISA BUS Pullup



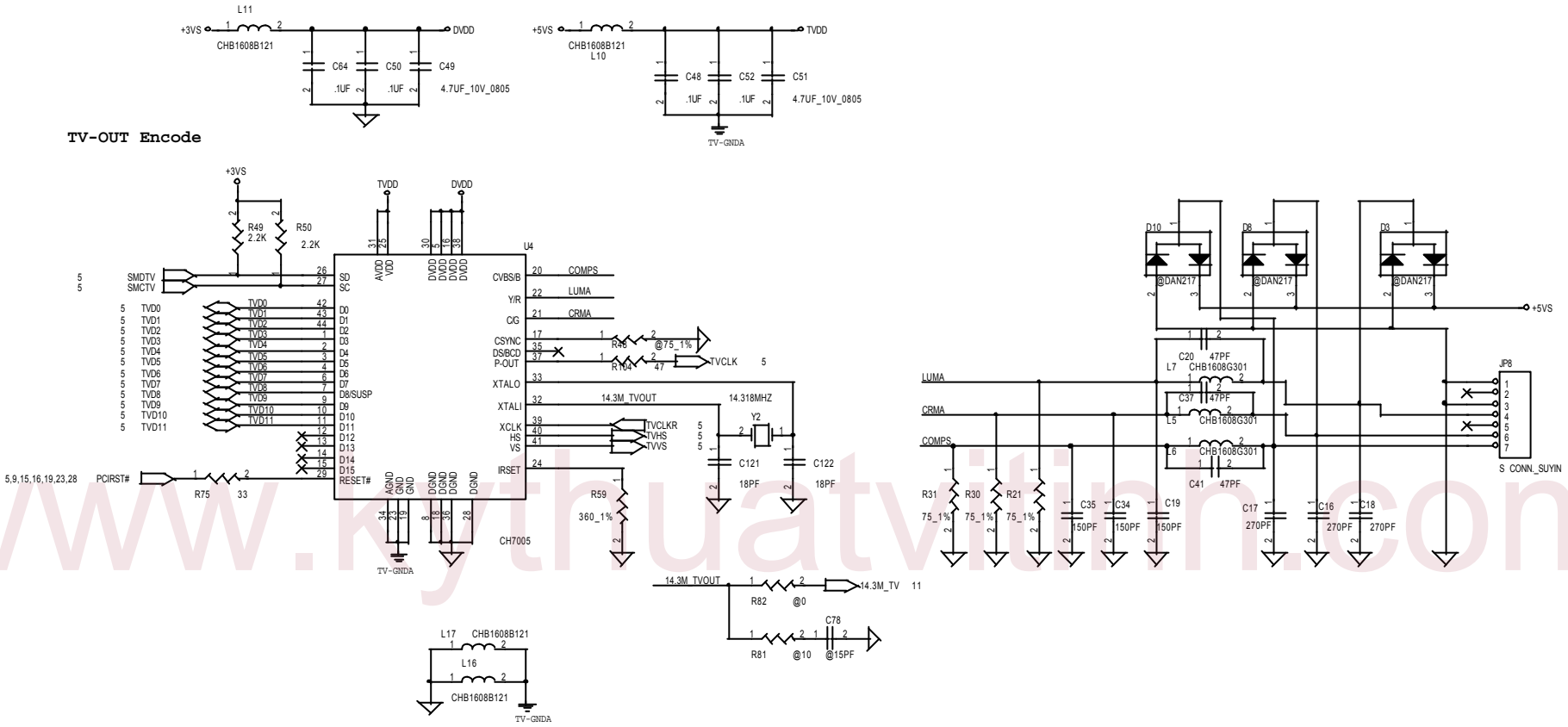
PCI BUS Pullup



PROPRIETARY NOTE THIS SHEET OF ENGINEERING DRAWING IS THE PROPRIETARY PROPERTY OF COMPAL ELECTRONICS, INC. AND CONTAINS CONFIDENTIAL AND TRADE SECRET INFORMATION. THIS SHEET MAY NOT BE TRANSFERRED FROM THE CUSTODY OF THE COMPETENT DIVISION OF R&D DEPARTMENT EXCEPT AS AUTHORIZED BY COMPAL ELECTRONICS, INC. NEITHER THIS SHEET NOR THE INFORMATION IT CONTAINS MAY BE USED BY OR DISCLOSED TO ANY THIRD PARTY WITHOUT PRIOR WRITTEN CONSENT OF COMPAL ELECTRONICS, INC.

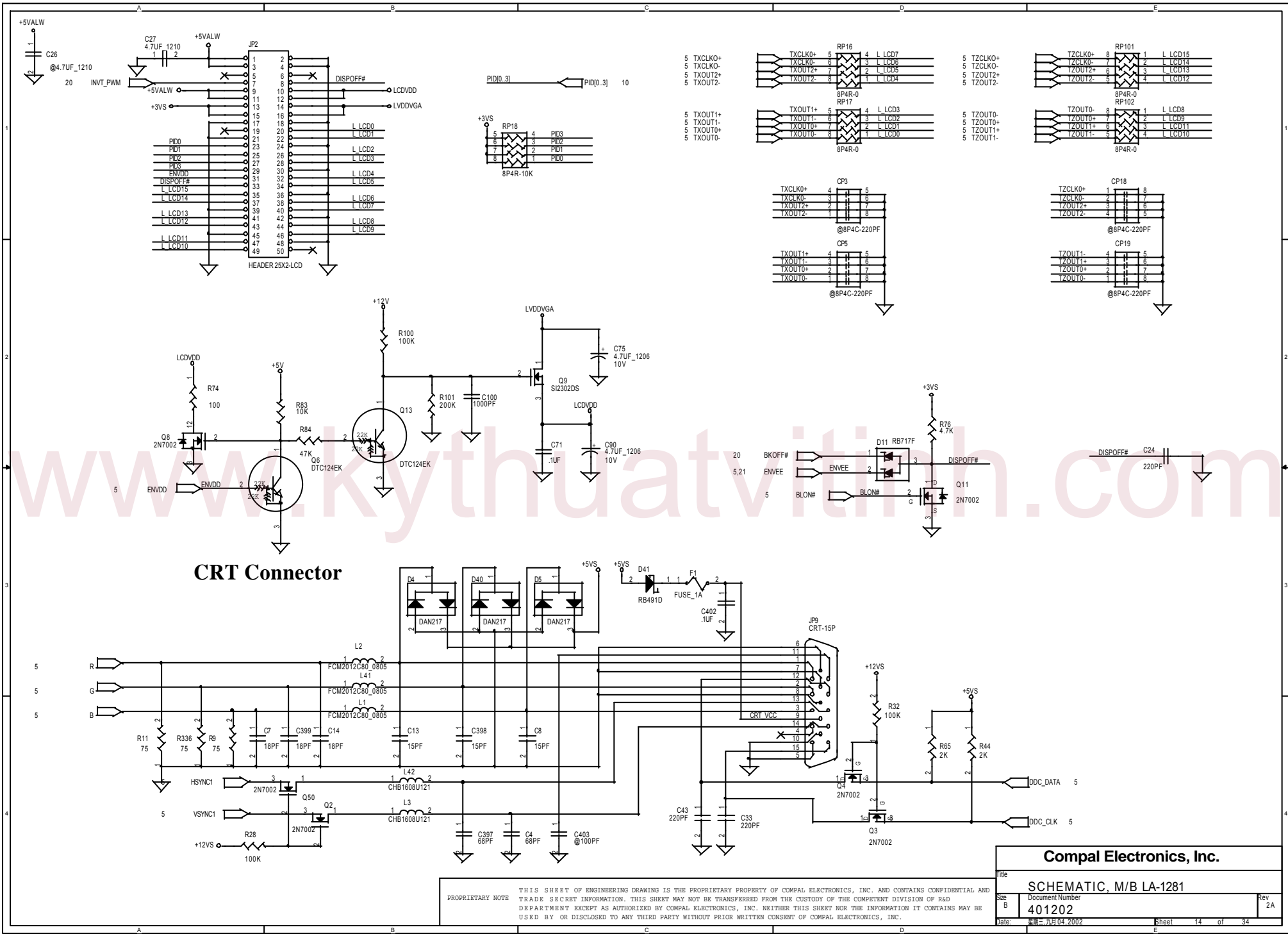
Compal Electronics, Inc.		
Title SCHEMATIC, M/B LA-1281		
Size B	Document Number 401202	Rev 2A
Date 日期: 二月 04, 2002	Sheet 12	of 34

TV-OUT Encode



PROPRIETARY NOTE THIS SHEET OF ENGINEERING DRAWING IS THE PROPRIETARY PROPERTY OF COMPAL ELECTRONICS, INC. AND CONTAINS CONFIDENTIAL AND TRADE SECRET INFORMATION. THIS SHEET MAY NOT BE TRANSFERRED FROM THE CUSTODY OF THE COMPETENT DIVISION OF R&D DEPARTMENT EXCEPT AS AUTHORIZED BY COMPAL ELECTRONICS, INC. NEITHER THIS SHEET NOR THE INFORMATION IT CONTAINS MAY BE USED BY OR DISCLOSED TO ANY THIRD PARTY WITHOUT PRIOR WRITTEN CONSENT OF COMPAL ELECTRONICS, INC.

Compal Electronics, Inc.			
Title			
SCHEMATIC, M/B LA-1281			
Size	Document Number		Rev
B	401202		2A
Date:	日期: 五月04, 2002	Sheet	13 of 34

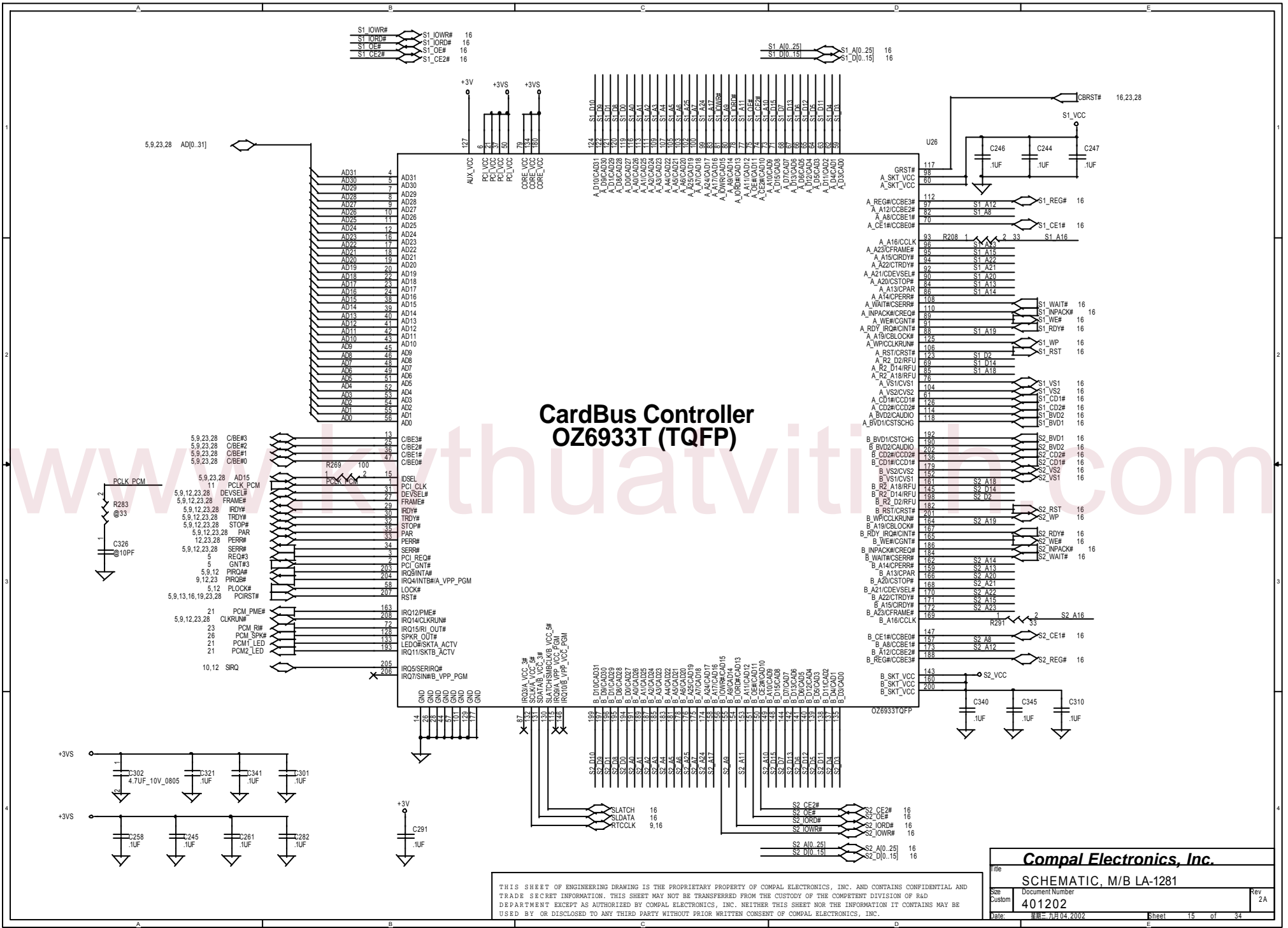


CRT Connector

PROPRIETARY NOTE THIS SHEET OF ENGINEERING DRAWING IS THE PROPRIETARY PROPERTY OF COMPAL ELECTRONICS, INC. AND CONTAINS CONFIDENTIAL AND TRADE SECRET INFORMATION. THIS SHEET MAY NOT BE TRANSFERRED FROM THE CUSTODY OF THE COMPETENT DIVISION OF R&D DEPARTMENT EXCEPT AS AUTHORIZED BY COMPAL ELECTRONICS, INC. NEITHER THIS SHEET NOR THE INFORMATION IT CONTAINS MAY BE USED BY OR DISCLOSED TO ANY THIRD PARTY WITHOUT PRIOR WRITTEN CONSENT OF COMPAL ELECTRONICS, INC.

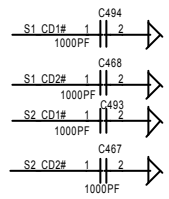
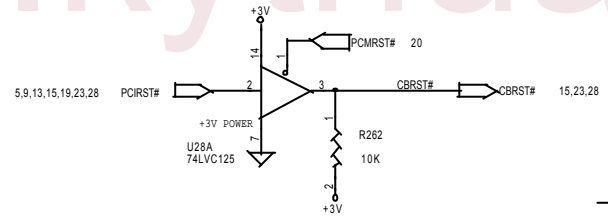
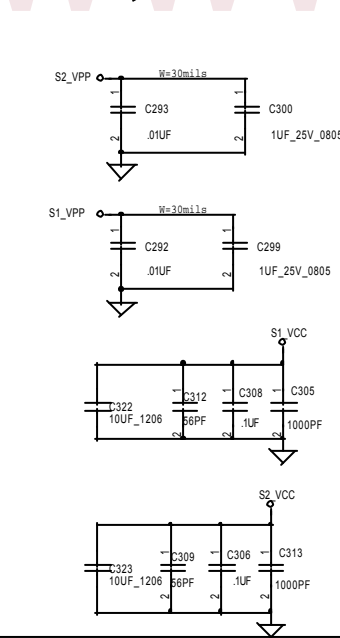
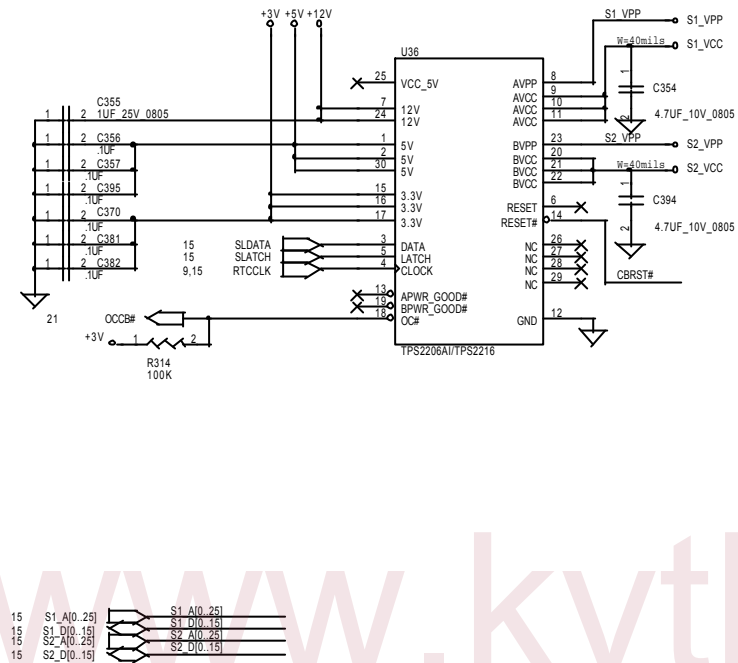
Compal Electronics, Inc.			
Title SCHEMATIC, M/B LA-1281			
Size B	Document Number 401202	Rev 2A	
Date 星期二, 五月 04, 2002	Sheet 14	of 34	

CardBus Controller OZ6933T (TQFP)

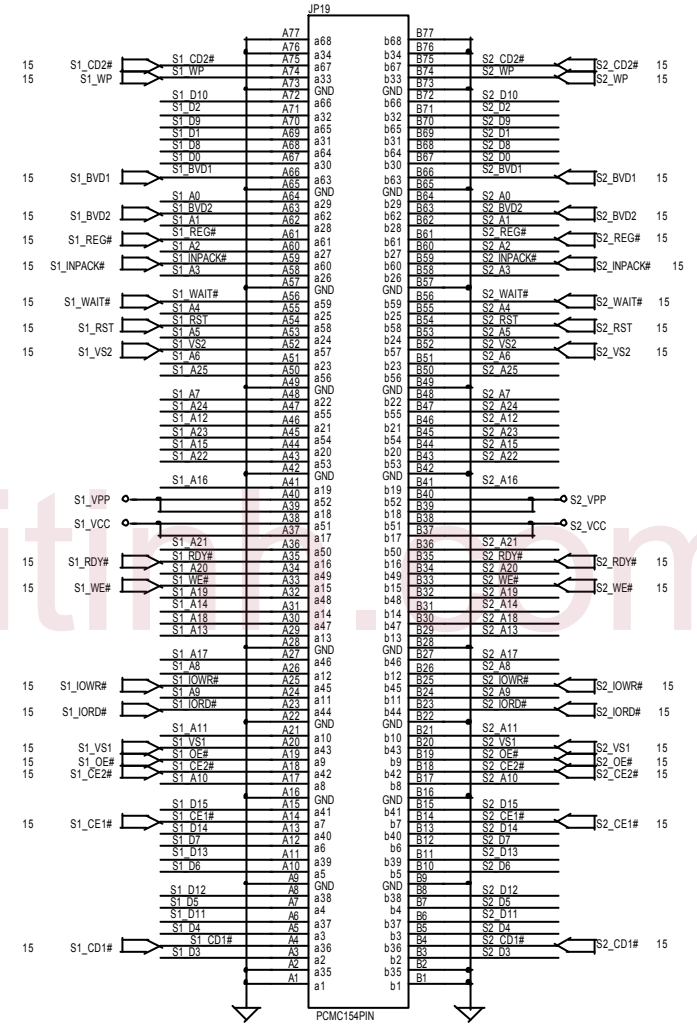


Compal Electronics, Inc.		
Title SCHEMATIC, M/B LA-1281		
Size Custom	Document Number 401202	Rev 2A
Date 2002.04.04	Sheet 15	of 34

PCMCIA POWER CTRL. Wire ZV PORT to Slot A



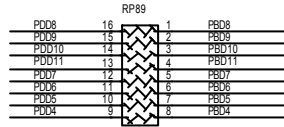
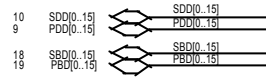
CARDBUS SOCKET



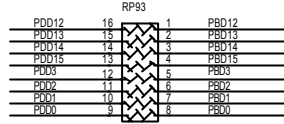
THIS SHEET OF ENGINEERING DRAWING IS THE PROPRIETARY PROPERTY OF COMPAL ELECTRONICS, INC. AND CONTAINS CONFIDENTIAL AND TRADE SECRET INFORMATION. THIS SHEET MAY NOT BE TRANSFERRED FROM THE CUSTODY OF THE COMPETENT DIVISION OF R&D DEPARTMENT EXCEPT AS AUTHORIZED BY COMPAL ELECTRONICS, INC. NEITHER THIS SHEET NOR THE INFORMATION IT CONTAINS MAY BE USED BY OR DISCLOSED TO ANY THIRD PARTY WITHOUT PRIOR WRITTEN CONSENT OF COMPAL ELECTRONICS, INC.

Compal Electronics, Inc.
 file: SCHEMATIC, M/B LA-1281
 401202
 Date: 2002.04.04
 Sheet: 16 of 34
 Rev: 2A

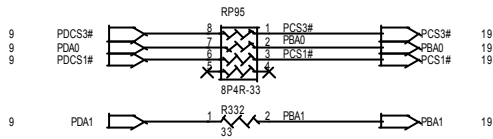
IDE Series Resistor
Place them close SB



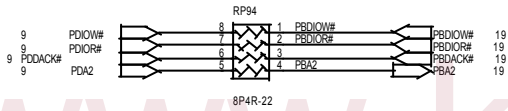
16P8R-33



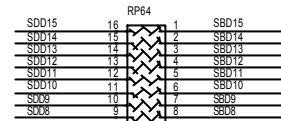
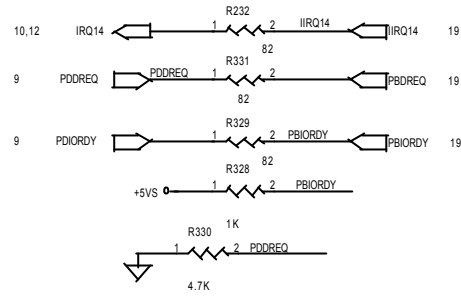
16P8R-33



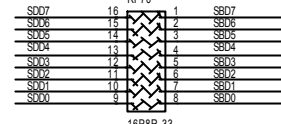
8P4R-33



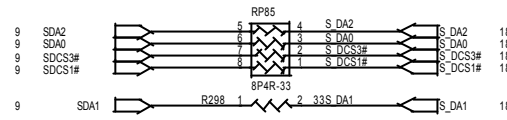
8P4R-22



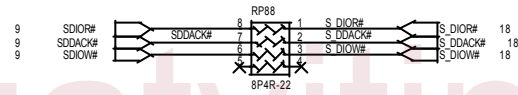
16P8R-33



16P8R-33



8P4R-33

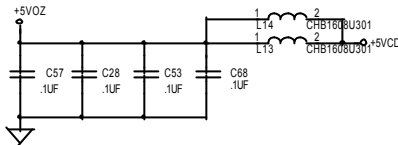
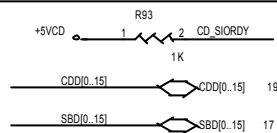
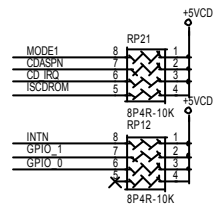


8P4R-22

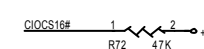
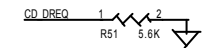
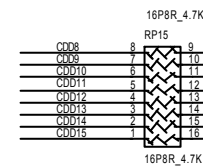
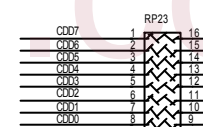
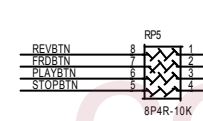
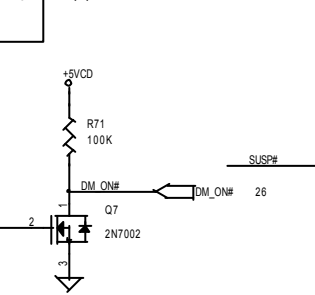
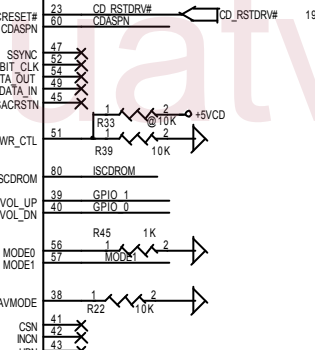
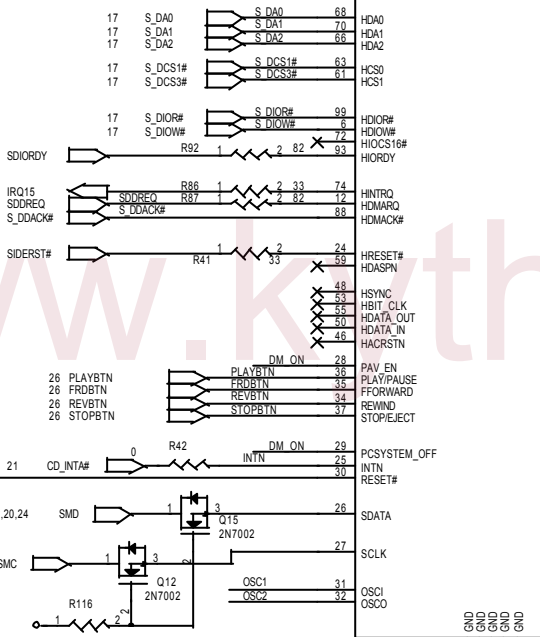
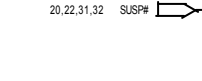
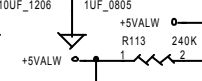
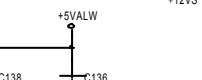
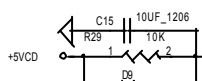
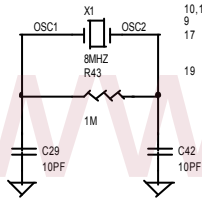
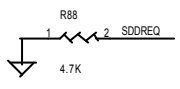
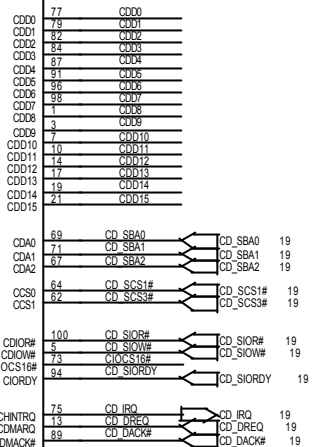
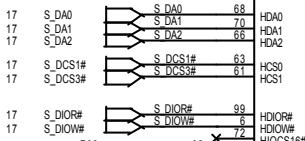
www.kythuatvith.com

THIS SHEET OF ENGINEERING DRAWING IS THE PROPRIETARY PROPERTY OF COMPAL ELECTRONICS, INC. AND CONTAINS CONFIDENTIAL AND TRADE SECRET INFORMATION. THIS SHEET MAY NOT BE TRANSFERRED FROM THE CUSTODY OF THE COMPETENT DIVISION OF R&D DEPARTMENT EXCEPT AS AUTHORIZED BY COMPAL ELECTRONICS, INC. NEITHER THIS SHEET NOR THE INFORMATION IT CONTAINS MAY BE USED BY OR DISCLOSED TO ANY THIRD PARTY WITHOUT PRIOR WRITTEN CONSENT OF COMPAL ELECTRONICS, INC.

Compal Electronics, Inc.		
File	SCHEMATIC, M/B LA-1281	
Size	Document Number	Rev
B	401202	2A
Date	日期: 九月 04, 2002	Sheet 17 of 34



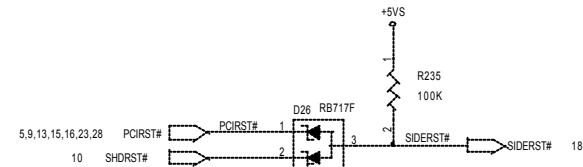
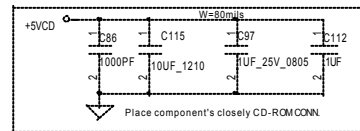
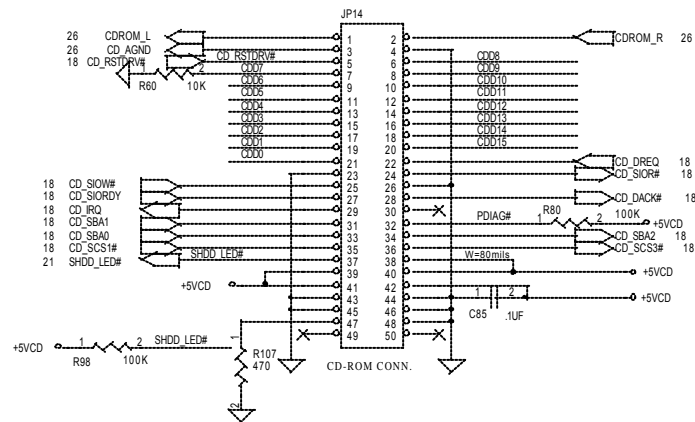
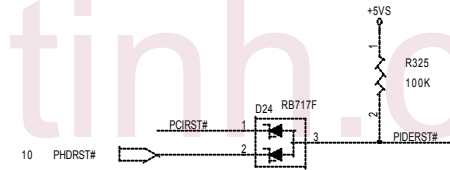
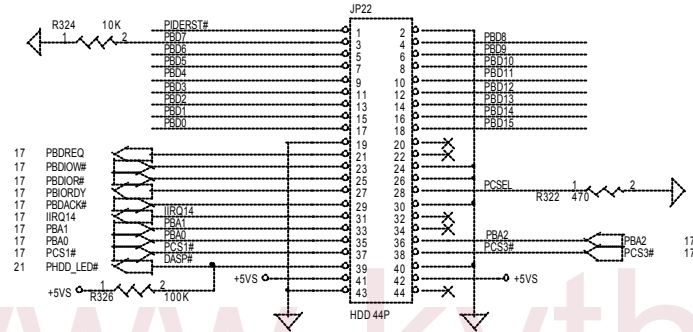
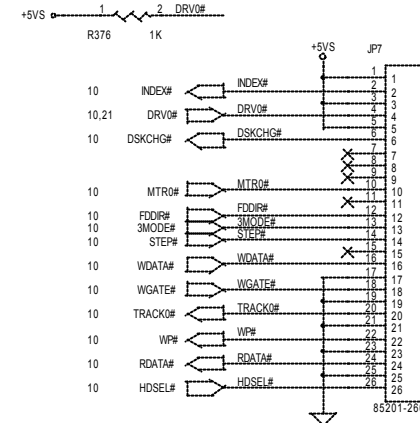
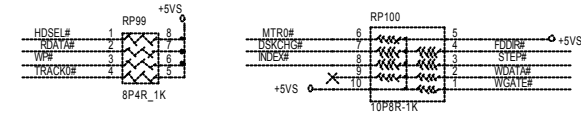
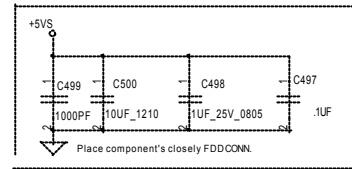
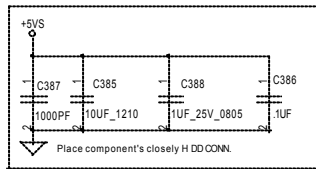
SBD0	76	HDD0	77	CDD0	77	CDD0
SBD1	78	HDD1	78	CDD1	79	CDD1
SBD2	81	HDD2	81	CDD2	82	CDD2
SBD3	83	HDD3	83	CDD3	84	CDD3
SBD4	86	HDD4	86	CDD4	87	CDD4
SBD5	90	HDD5	90	CDD5	91	CDD5
SBD6	95	HDD6	95	CDD6	96	CDD6
SBD7	97	HDD7	97	CDD7	98	CDD7
SBD8	2	HDD8	2	CDD8	1	CDD8
SBD9	4	HDD9	4	CDD9	3	CDD9
SBD10	8	HDD10	8	CDD10	7	CDD10
SBD11	11	HDD11	11	CDD11	10	CDD11
SBD12	13	HDD12	13	CDD12	14	CDD12
SBD13	18	HDD13	18	CDD13	17	CDD13
SBD14	20	HDD14	20	CDD14	19	CDD14
SBD15	22	HDD15	22	CDD15	21	CDD15



Compal Electronics, Inc.
 SCHEMATIC, M/B LA-1281
 Document Number: 401202
 Date: 2002.04.04
 Sheet 18 of 34
 Rev 2A

THIS SHEET OF ENGINEERING DRAWING IS THE PROPRIETARY PROPERTY OF COMPAL ELECTRONICS, INC. AND CONTAINS CONFIDENTIAL AND TRADE SECRET INFORMATION. THIS SHEET MAY NOT BE TRANSFERRED FROM THE CUSTODY OF THE COMPETENT DIVISION OF R&D DEPARTMENT EXCEPT AS AUTHORIZED BY COMPAL ELECTRONICS, INC. NEITHER THIS SHEET NOR THE INFORMATION IT CONTAINS MAY BE USED BY OR DISCLOSED TO ANY THIRD PARTY WITHOUT PRIOR WRITTEN CONSENT OF COMPAL ELECTRONICS, INC.

IDE, CD-ROM & FDD Module CONN.

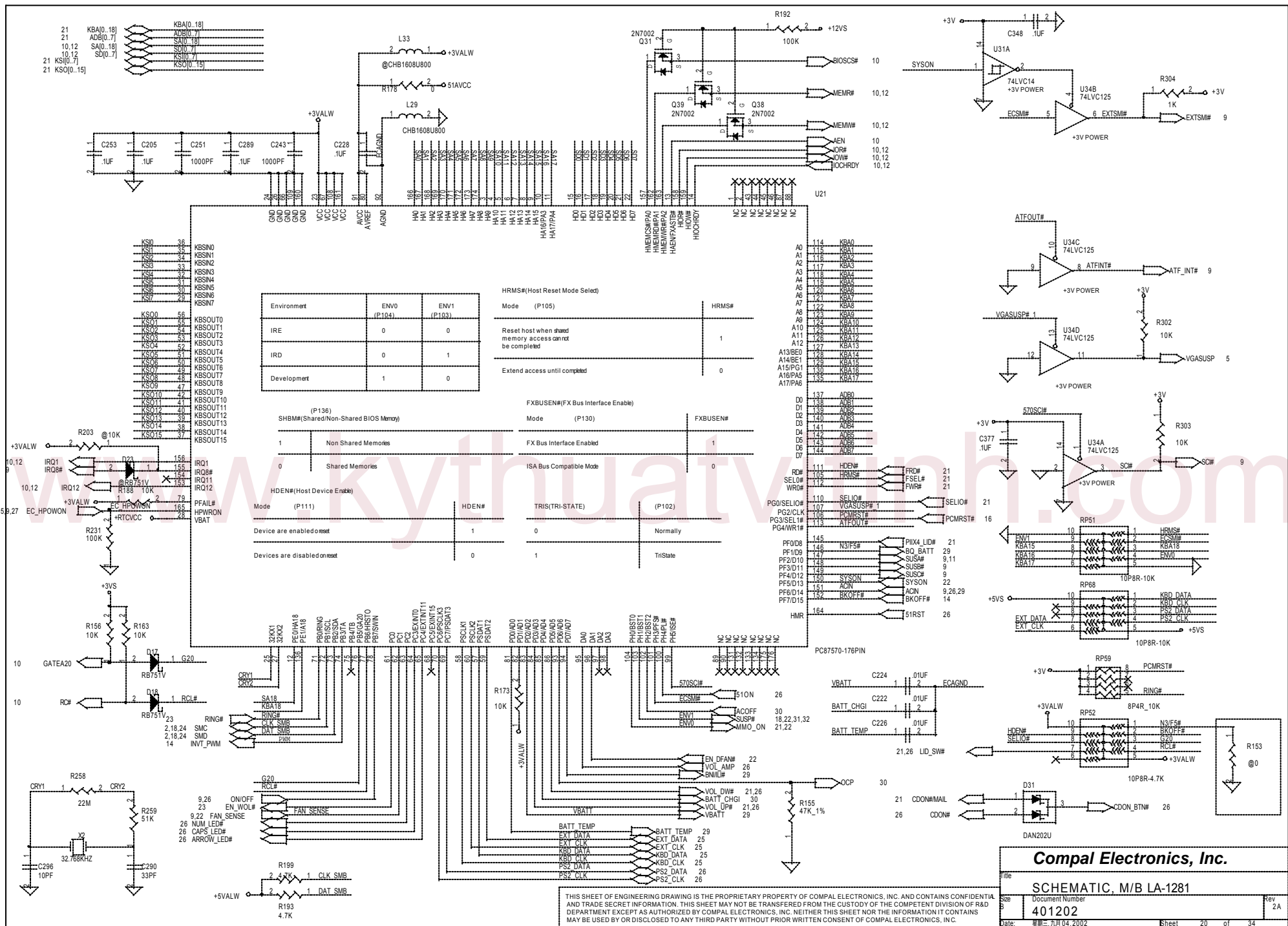


THIS SHEET OF ENGINEERING DRAWING IS THE PROPRIETARY PROPERTY OF COMPAL ELECTRONICS, INC. AND CONTAINS CONFIDENTIAL AND TRADE SECRET INFORMATION. THIS SHEET MAY NOT BE TRANSFERRED FROM THE CUSTODY OF THE COMPETENT DIVISION OF R&D DEPARTMENT EXCEPT AS AUTHORIZED BY COMPAL ELECTRONICS, INC. NEITHER THIS SHEET NOR THE INFORMATION IT CONTAINS MAY BE USED BY OR DISCLOSED TO ANY THIRD PARTY WITHOUT PRIOR WRITTEN CONSENT OF COMPAL ELECTRONICS, INC.

Compal Electronics, Inc.

Schematic, M/B LA-1281

Size	Document Number	Rev
B	401202	2A
Date	日期: 九月04, 2002	Sheet 19 of 34



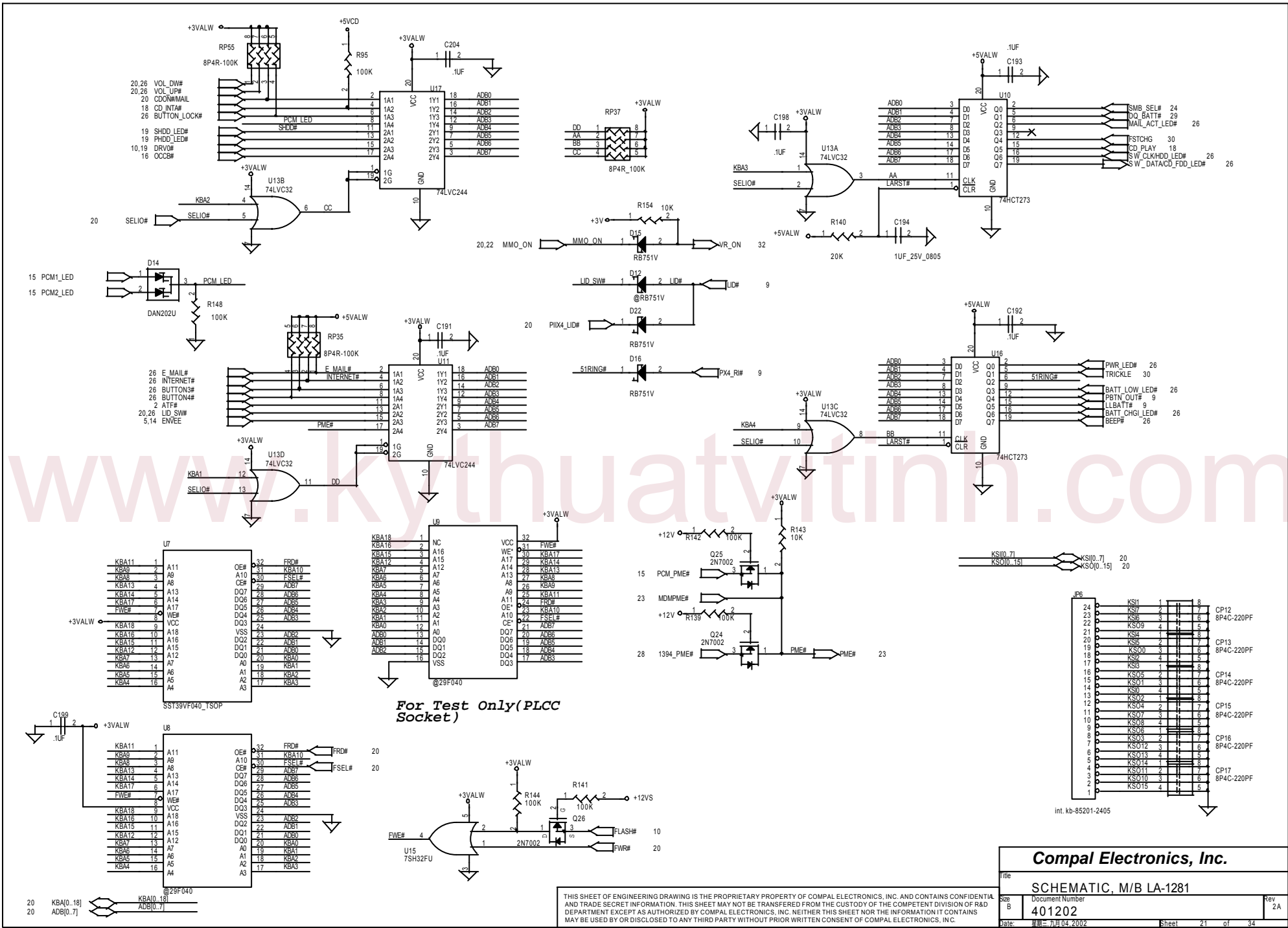
Compal Electronics, Inc.

SCHEMATIC, M/B LA-1281

File: **401202** Document Number: **401202** Rev: **2A**

Date: 日期 = 九月04, 2002 Sheet: 20 of 34

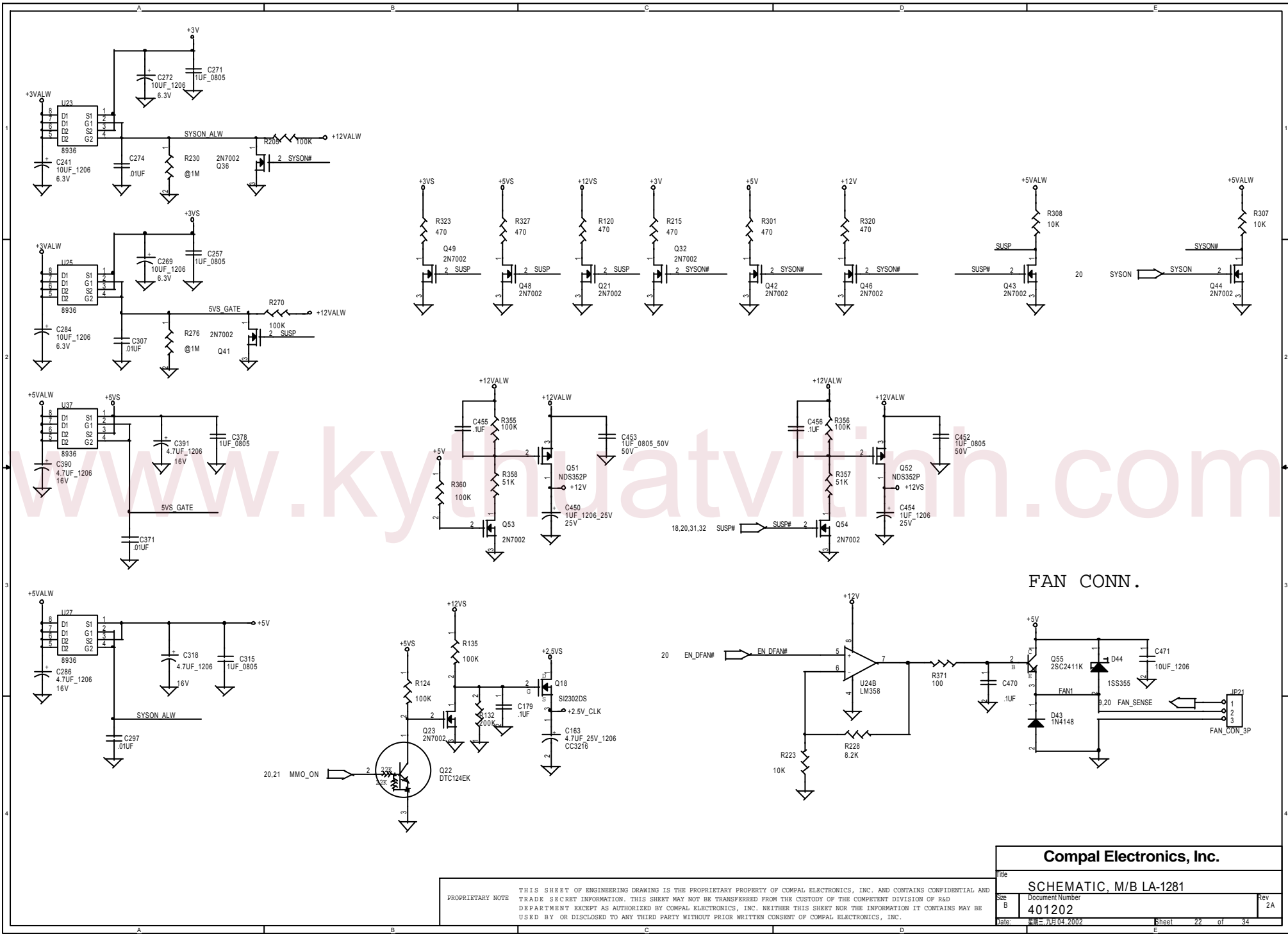
THIS SHEET OF ENGINEERING DRAWING IS THE PROPRIETARY PROPERTY OF COMPAL ELECTRONICS, INC. AND CONTAINS CONFIDENTIAL AND TRADE SECRET INFORMATION. THIS SHEET MAY NOT BE TRANSFERRED FROM THE CUSTODY OF THE COMPETENT DIVISION OF R&D DEPARTMENT EXCEPT AS AUTHORIZED BY COMPAL ELECTRONICS, INC. NEITHER THIS SHEET NOR THE INFORMATION IT CONTAINS MAY BE USED BY OR DISCLOSED TO ANY THIRD PARTY WITHOUT PRIOR WRITTEN CONSENT OF COMPAL ELECTRONICS, INC.



For Test Only (PLCC Socket)

<p>Compal Electronics, Inc.</p>	
<p>file</p>	<p>SCHMATIC, M/B LA-1281</p>
<p>Size B</p>	<p>Document Number</p>
<p>401202</p>	<p>Rev 2A</p>
<p>Date: 2002.04.04</p>	<p>Sheet 21 of 34</p>

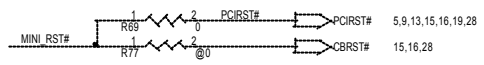
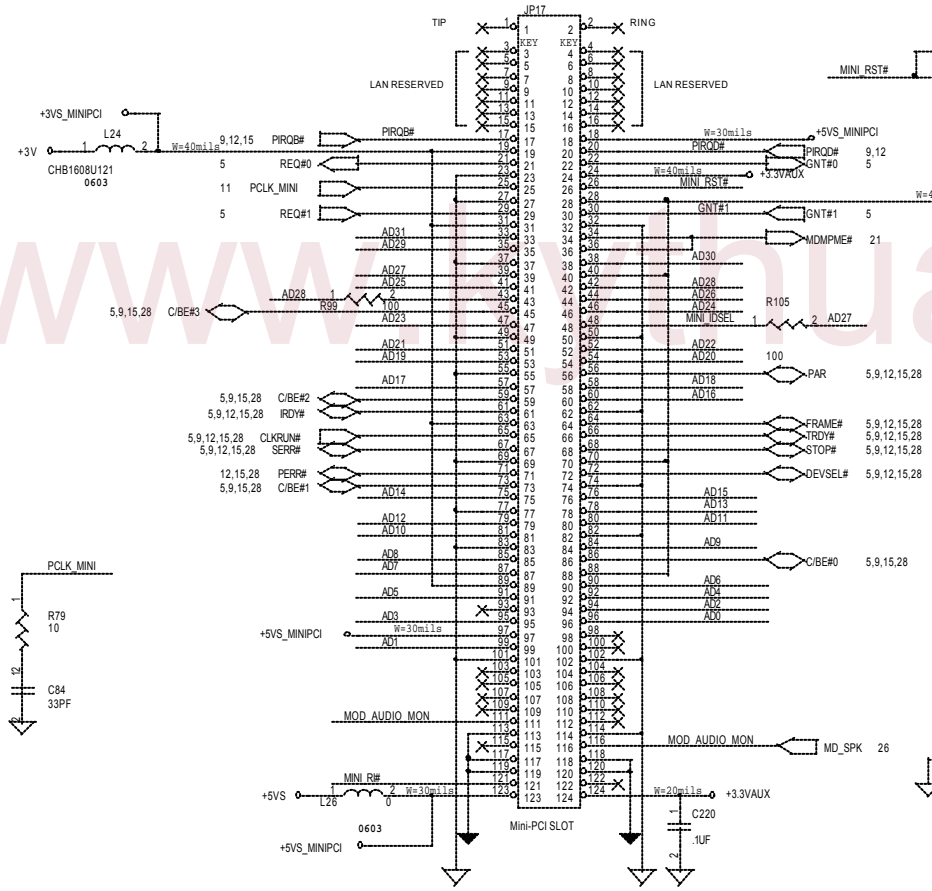
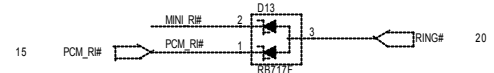
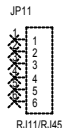
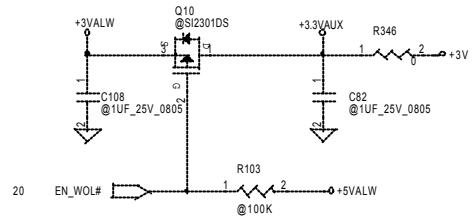
THIS SHEET OF ENGINEERING DRAWING IS THE PROPRIETARY PROPERTY OF COMPAL ELECTRONICS, INC. AND CONTAINS CONFIDENTIAL AND TRADE SECRET INFORMATION. THIS SHEET MAY NOT BE TRANSFERRED FROM THE CUSTODY OF THE COMPETENT DIVISION OF R&D DEPARTMENT EXCEPT AS AUTHORIZED BY COMPAL ELECTRONICS, INC. NEITHER THIS SHEET NOR THE INFORMATION IT CONTAINS MAY BE USED BY OR DISCLOSED TO ANY THIRD PARTY WITHOUT PRIOR WRITTEN CONSENT OF COMPAL ELECTRONICS, INC.



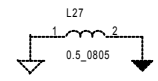
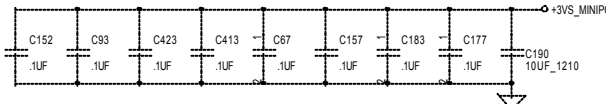
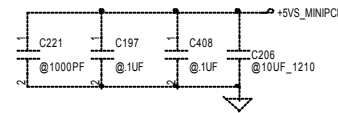
FAN CONN.

PROPRIETARY NOTE THIS SHEET OF ENGINEERING DRAWING IS THE PROPRIETARY PROPERTY OF COMPAL ELECTRONICS, INC. AND CONTAINS CONFIDENTIAL AND TRADE SECRET INFORMATION. THIS SHEET MAY NOT BE TRANSFERRED FROM THE CUSTODY OF THE COMPETENT DIVISION OF R&D DEPARTMENT EXCEPT AS AUTHORIZED BY COMPAL ELECTRONICS, INC. NEITHER THIS SHEET NOR THE INFORMATION IT CONTAINS MAY BE USED BY OR DISCLOSED TO ANY THIRD PARTY WITHOUT PRIOR WRITTEN CONSENT OF COMPAL ELECTRONICS, INC.

Compal Electronics, Inc.			
Title SCHEMATIC, M/B LA-1281			
Size B	Document Number 401202		Rev 2A
Date 2002.04.04	Sheet 22 of 34		



IDSEL : AD27

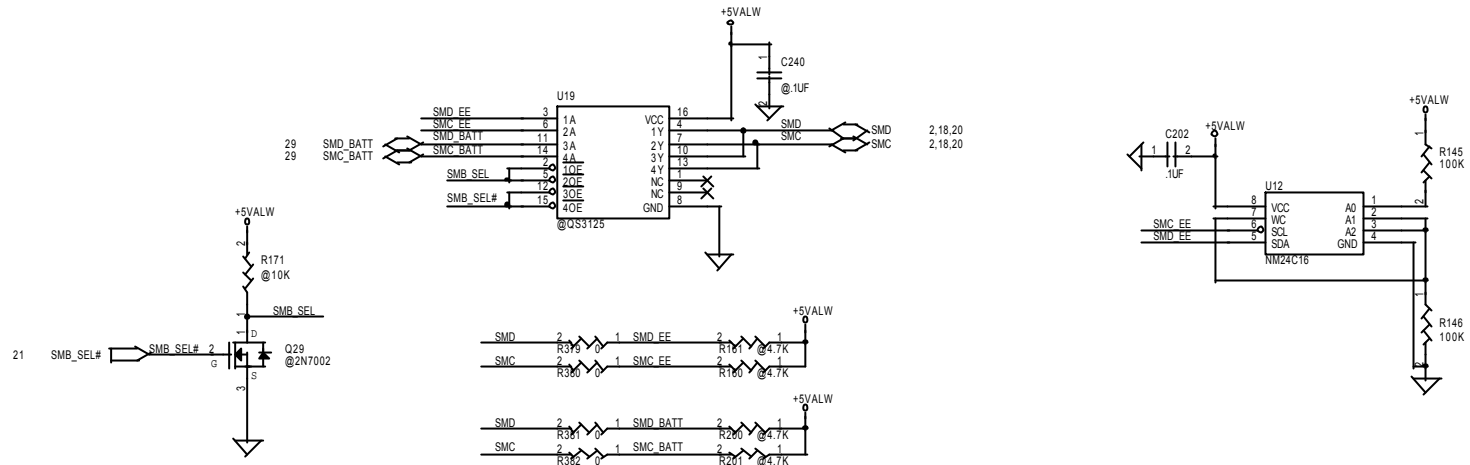


Compal Electronics, Inc.

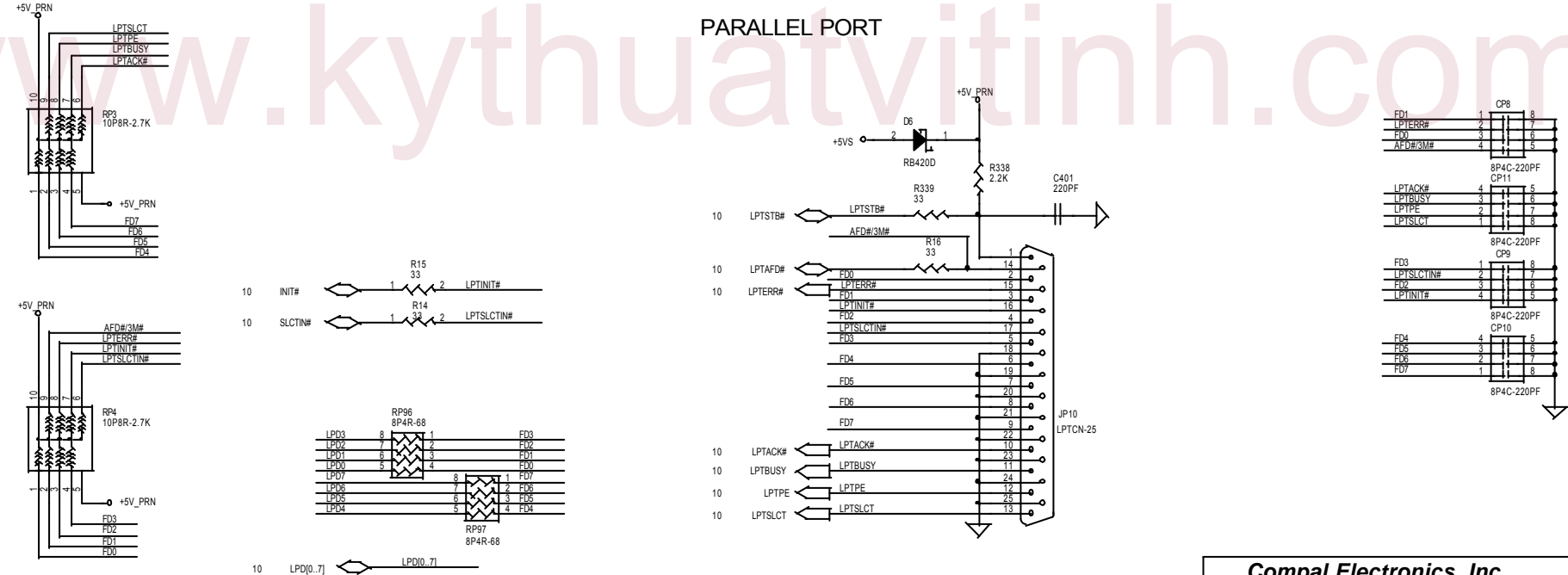
Schematic, M/B LA-1281

PROPRIETARY NOTE THIS SHEET OF ENGINEERING DRAWING IS THE PROPRIETARY PROPERTY OF COMPAL ELECTRONICS, INC. AND CONTAINS CONFIDENTIAL AND TRADE SECRET INFORMATION. THIS SHEET MAY NOT BE TRANSFERRED FROM THE CUSTODY OF THE COMPETENT DIVISION OF R&D DEPARTMENT EXCEPT AS AUTHORIZED BY COMPAL ELECTRONICS, INC. NEITHER THIS SHEET NOR THE INFORMATION IT CONTAINS MAY BE USED BY OR DISCLOSED TO ANY THIRD PARTY WITHOUT PRIOR WRITTEN CONSENT OF COMPAL ELECTRONICS, INC.

File	Schematic, M/B LA-1281		Rev	2A
Size	B	Document Number	401202	
Date	2002.04.04	Sheet	23	of 34

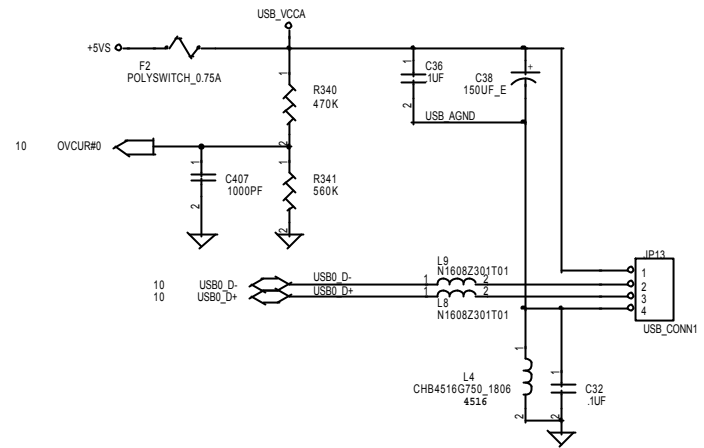
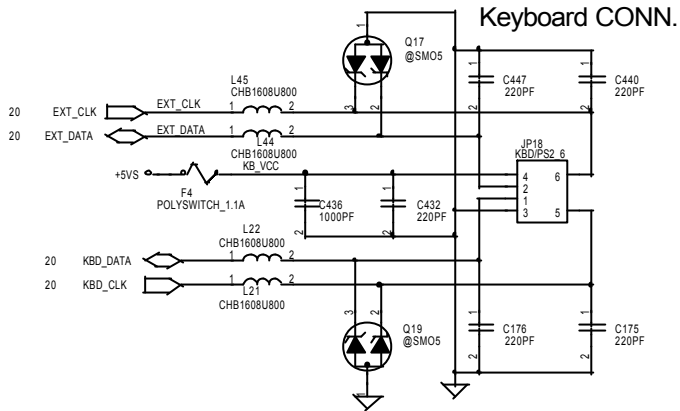


PARALLEL PORT

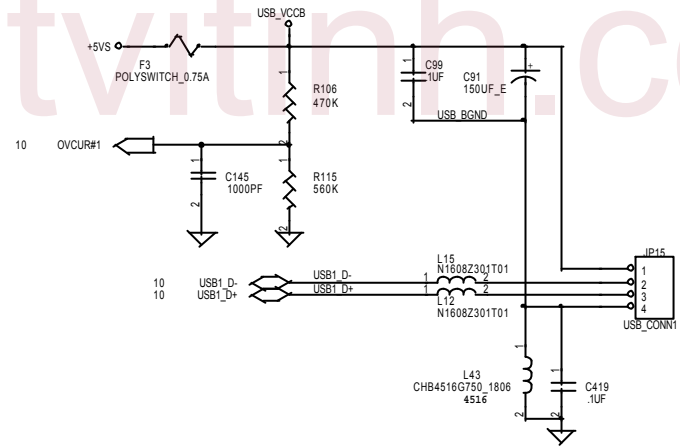
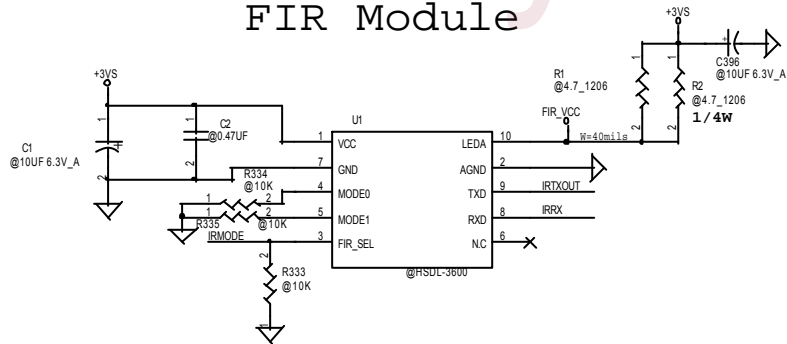


Compal Electronics, Inc.		
file	SCHEMATIC, M/B LA-1281	
size	Document Number	Rev
	401202	2A
Date	日期: 九月04, 2002	Sheet 24 of 34

THIS SHEET OF ENGINEERING DRAWING IS THE PROPRIETARY PROPERTY OF COMPAL ELECTRONICS, INC. AND CONTAINS CONFIDENTIAL AND TRADE SECRET INFORMATION. THIS SHEET MAY NOT BE TRANSFERRED FROM THE CUSTODY OF THE COMPETENT DIVISION OF RAD DEPARTMENT EXCEPT AS AUTHORIZED BY COMPAL ELECTRONICS, INC. NEITHER THIS SHEET NOR THE INFORMATION IT CONTAINS MAY BE USED BY OR DISCLOSED TO ANY THIRD PARTY WITHOUT PRIOR WRITTEN CONSENT OF COMPAL ELECTRONICS, INC.



FIR Module

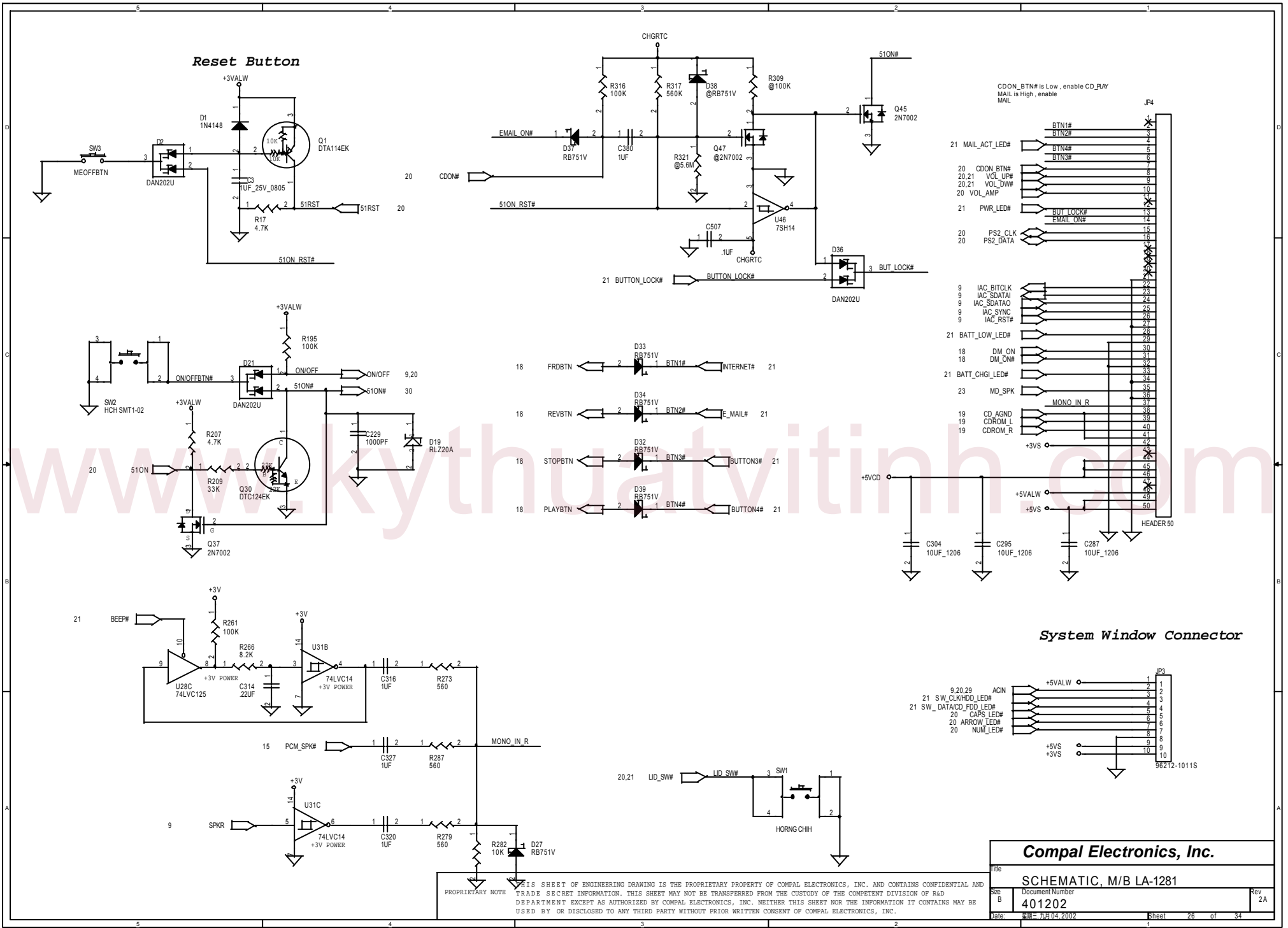


Compal Electronics, Inc.

SCHEMATIC, M/B LA-1281

Size	Document Number	Rev	
B	401202	2A	
Date:	日期: 九月04, 2002	Sheet	25 of 34

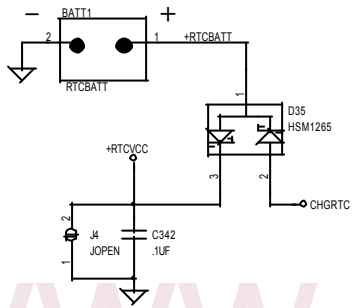
PROPRIETARY NOTE THIS SHEET OF ENGINEERING DRAWING IS THE PROPRIETARY PROPERTY OF COMPAL ELECTRONICS, INC. AND CONTAINS CONFIDENTIAL AND TRADE SECRET INFORMATION. THIS SHEET MAY NOT BE TRANSFERRED FROM THE CUSTODY OF THE COMPETENT DIVISION OF R&D DEPARTMENT EXCEPT AS AUTHORIZED BY COMPAL ELECTRONICS, INC. NEITHER THIS SHEET NOR THE INFORMATION IT CONTAINS MAY BE USED BY OR DISCLOSED TO ANY THIRD PARTY WITHOUT PRIOR WRITTEN CONSENT OF COMPAL ELECTRONICS, INC.



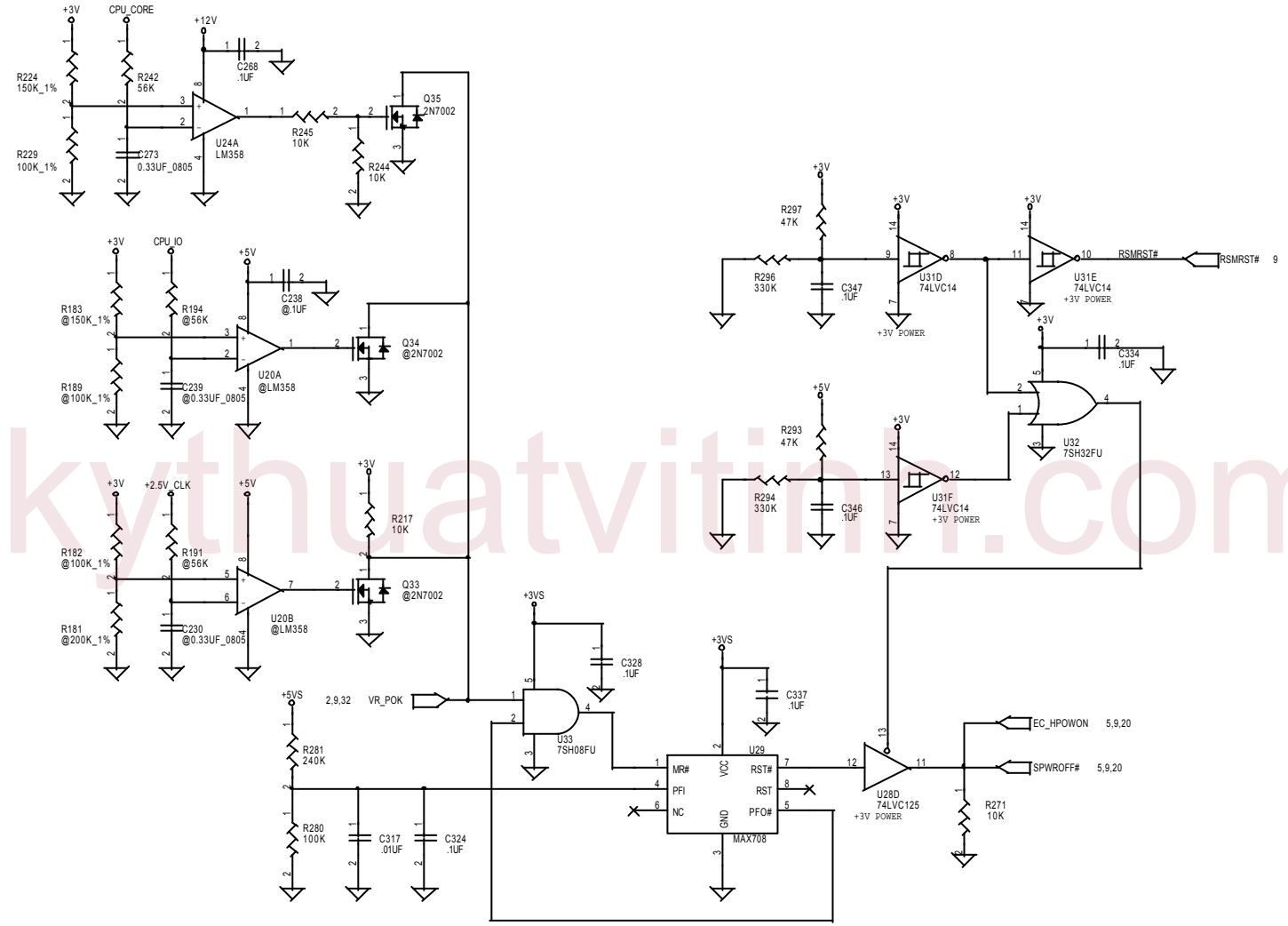
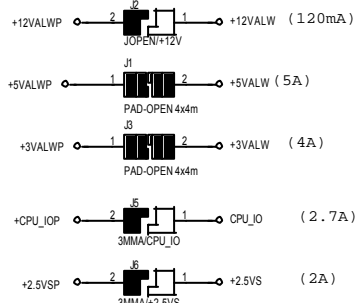
PROPRIETARY NOTE: THIS SHEET OF ENGINEERING DRAWING IS THE PROPRIETARY PROPERTY OF COMPAL ELECTRONICS, INC. AND CONTAINS CONFIDENTIAL AND TRADE SECRET INFORMATION. THIS SHEET MAY NOT BE TRANSFERRED FROM THE CUSTODY OF THE COMPETENT DIVISION OF R&D DEPARTMENT EXCEPT AS AUTHORIZED BY COMPAL ELECTRONICS, INC. NEITHER THIS SHEET NOR THE INFORMATION IT CONTAINS MAY BE USED BY OR DISCLOSED TO ANY THIRD PARTY WITHOUT PRIOR WRITTEN CONSENT OF COMPAL ELECTRONICS, INC.

Compal Electronics, Inc.		
Title: SCHEMATIC, M/B LA-1281		
Size: B	Document Number: 401202	Rev: 2A
Date: 星期二, 五月 04, 2002	Sheet: 26	of 34

RTC BATT

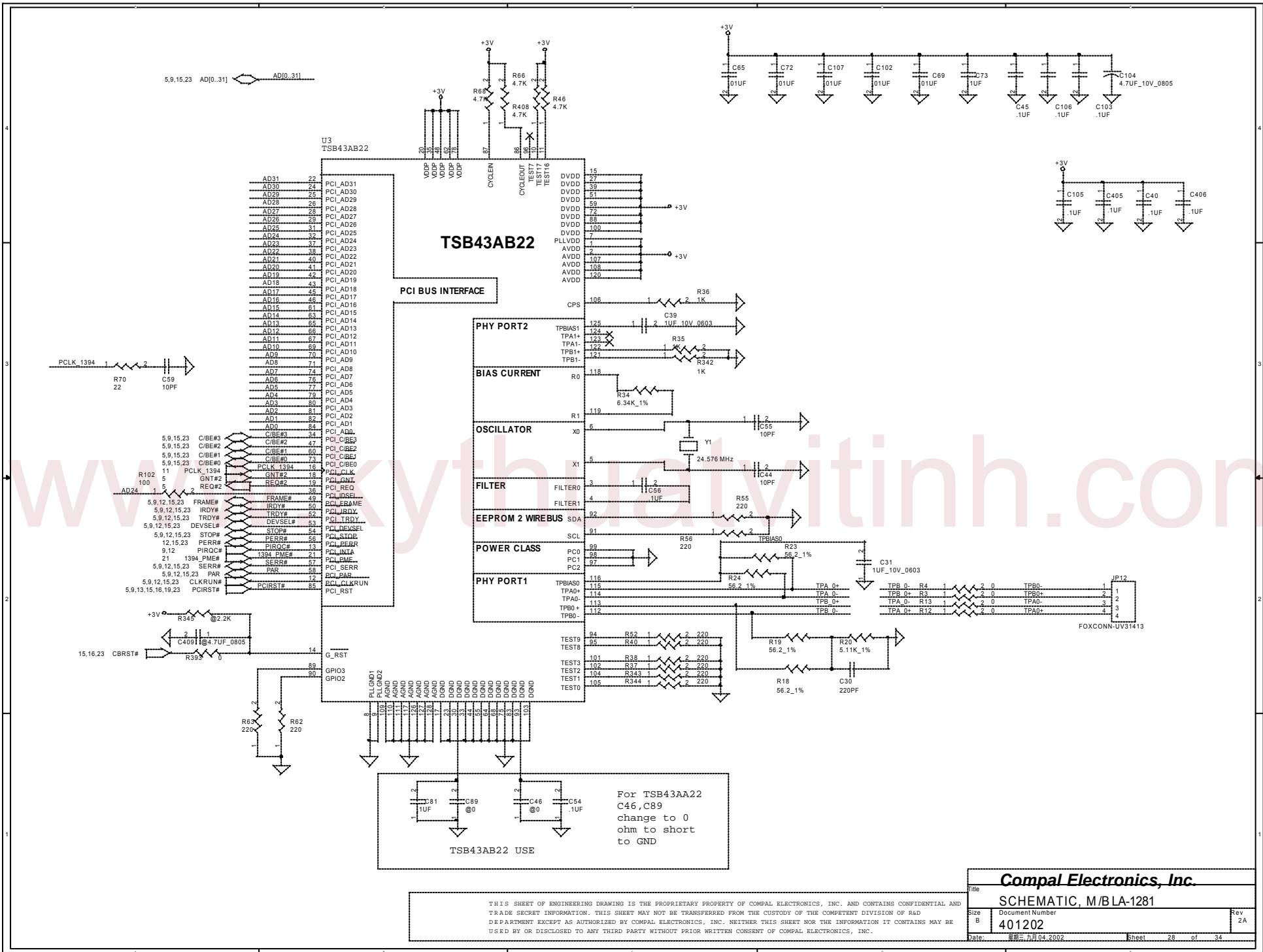


DC/DC INTERFACE



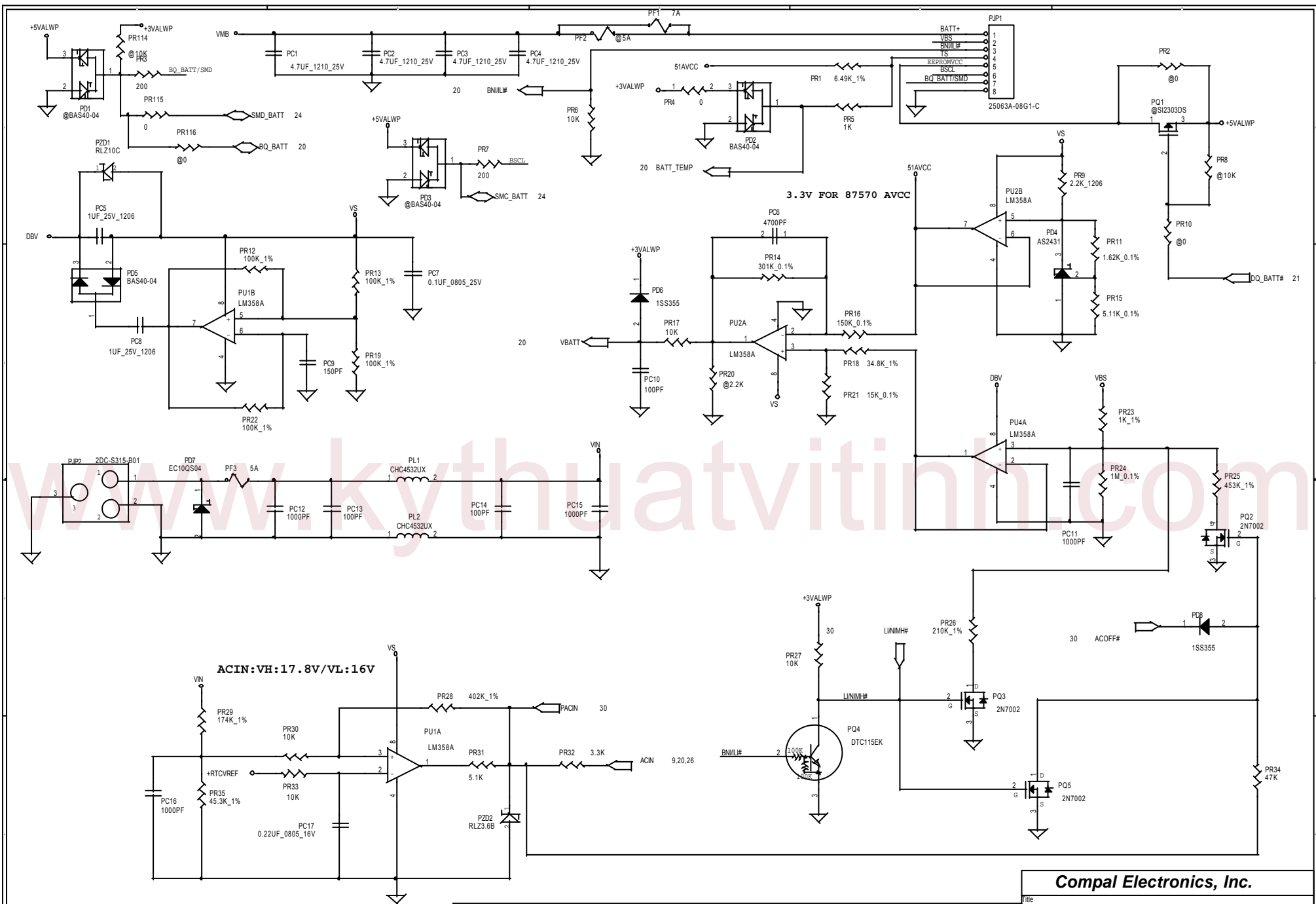
PROPRIETARY NOTE THIS SHEET OF ENGINEERING DRAWING IS THE PROPRIETARY PROPERTY OF COMPAL ELECTRONICS, INC. AND CONTAINS CONFIDENTIAL AND TRADE SECRET INFORMATION. THIS SHEET MAY NOT BE TRANSFERRED FROM THE CUSTODY OF THE COMPETENT DIVISION OF R&D DEPARTMENT EXCEPT AS AUTHORIZED BY COMPAL ELECTRONICS, INC. NEITHER THIS SHEET NOR THE INFORMATION IT CONTAINS MAY BE USED BY OR DISCLOSED TO ANY THIRD PARTY WITHOUT PRIOR WRITTEN CONSENT OF COMPAL ELECTRONICS, INC.

Compal Electronics, Inc.			
Title SCHEMATIC, M/B LA-1281			
Size B	Document Number 401202	Rev 2A	
Date 日期: 2002.04.04	Sheet 27	of 34	



AD31	22	PCL_AD31
AD30	24	PCL_AD30
AD29	25	PCL_AD29
AD28	26	PCL_AD28
AD27	28	PCL_AD27
AD26	29	PCL_AD26
AD25	31	PCL_AD25
AD24	32	PCL_AD24
AD23	37	PCL_AD23
AD22	38	PCL_AD22
AD21	40	PCL_AD21
AD20	41	PCL_AD20
AD19	42	PCL_AD19
AD18	43	PCL_AD18
AD17	45	PCL_AD17
AD16	46	PCL_AD16
AD15	61	PCL_AD15
AD14	63	PCL_AD14
AD13	65	PCL_AD13
AD12	66	PCL_AD12
AD11	67	PCL_AD11
AD10	69	PCL_AD10
AD9	70	PCL_AD9
AD8	71	PCL_AD8
AD7	74	PCL_AD7
AD6	76	PCL_AD6
AD5	77	PCL_AD5
AD4	79	PCL_AD4
AD3	80	PCL_AD3
AD2	81	PCL_AD2
AD1	82	PCL_AD1
AD0	84	PCL_AD0
C/BE#3	34	PCL_C/BE#3
C/BE#2	47	PCL_C/BE#2
C/BE#1	60	PCL_C/BE#1
C/BE#0	73	PCL_C/BE#0
PCLK_1394	16	PCL_CLK
GNT#2	18	PCL_GNT#2
REQ#2	19	PCL_REQ#2
FRAME#	49	PCL_FRAME#
IRDY#	50	PCL_IRDY#
TRDY#	52	PCL_TRDY#
DEVSEL#	53	PCL_DEVSEL#
STOP#	54	PCL_STOP#
PERR#	56	PCL_PERR#
PIROCK#	13	PCL_PIRCK#
1394 PME#	21	PCL_PME#
SERR#	57	PCL_SERR#
PAR	58	PCL_PAR
CLKRUN#	12	PCL_CLKRUN#
PCIRST#	85	PCL_RST

THIS SHEET OF ENGINEERING DRAWING IS THE PROPRIETARY PROPERTY OF COMPAL ELECTRONICS, INC. AND CONTAINS CONFIDENTIAL AND TRADE SECRET INFORMATION. THIS SHEET MAY NOT BE TRANSFERRED FROM THE CUSTODY OF THE COMPETENT DIVISION OF R&D DEPARTMENT EXCEPT AS AUTHORIZED BY COMPAL ELECTRONICS, INC. NEITHER THIS SHEET NOR THE INFORMATION IT CONTAINS MAY BE USED BY OR DISCLOSED TO ANY THIRD PARTY WITHOUT PRIOR WRITTEN CONSENT OF COMPAL ELECTRONICS, INC.



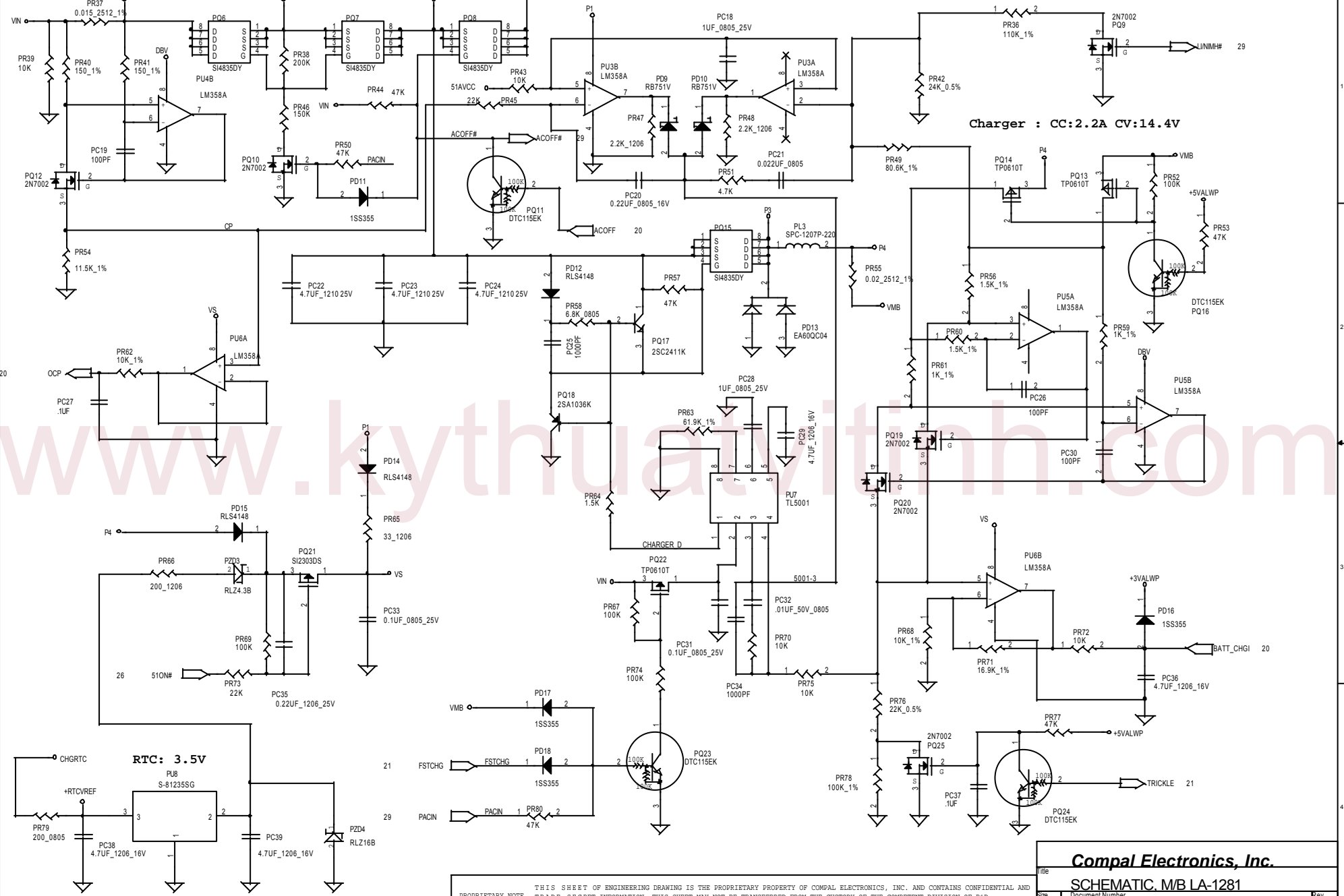
Compal Electronics, Inc.

Title		SCHEMATIC, M/B LA-1281	
Size	Document Number	Rev	
B	401202	2A	
Date:	日期: 九月04, 2002	Sheet	29 of 34

PROPRIETARY NOTE THIS SHEET OF ENGINEERING DRAWING IS THE PROPRIETARY PROPERTY OF COMPAL ELECTRONICS, INC. AND CONTAINS CONFIDENTIAL AND TRADE SECRET INFORMATION. THIS SHEET MAY NOT BE TRANSFERRED FROM THE CUSTODY OF THE COMPETENT DIVISION OF R&D DEPARTMENT EXCEPT AS AUTHORIZED BY COMPAL ELECTRONICS, INC. NEITHER THIS SHEET NOR THE INFORMATION IT CONTAINS MAY BE USED BY OR DISCLOSED TO ANY THIRD PARTY WITHOUT PRIOR WRITTEN CONSENT OF COMPAL ELECTRONICS, INC.

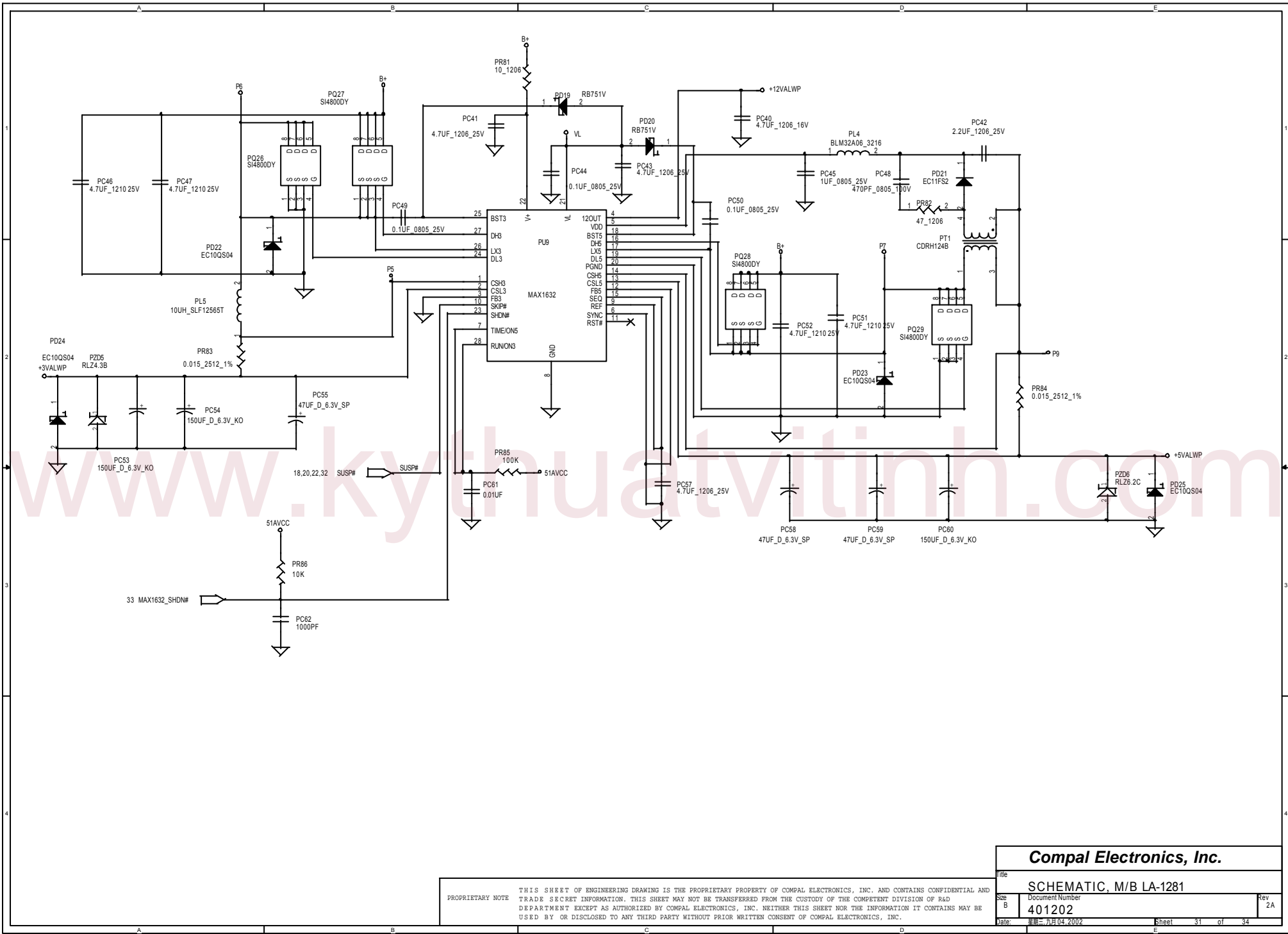
ACIN: CC:2.87A/ OCP:3.48A

Charger : CC:2.2A CV:16.8V for LI-ION/CV:14.4V for NI-MH



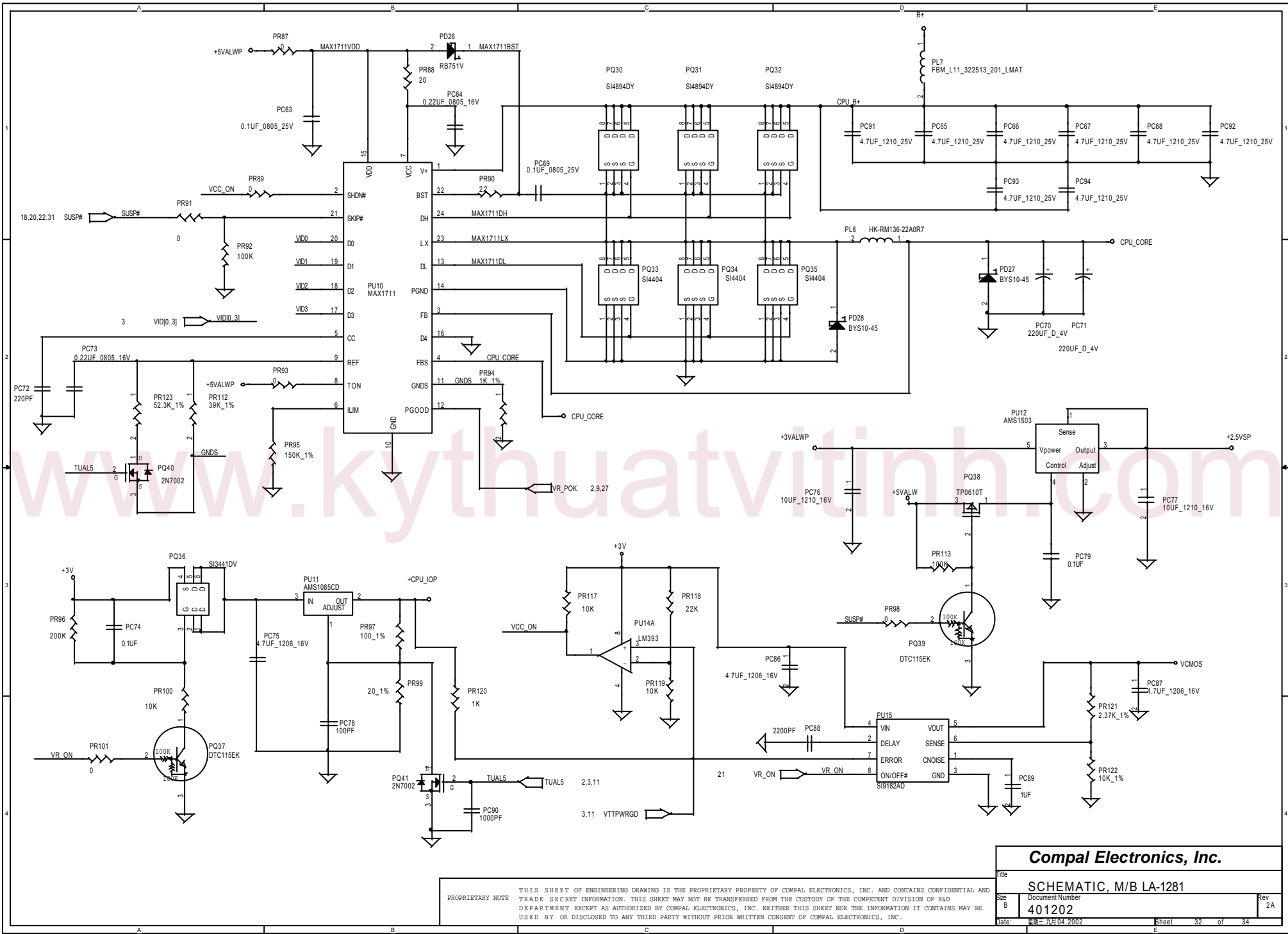
PROPRIETARY NOTE THIS SHEET OF ENGINEERING DRAWING IS THE PROPRIETARY PROPERTY OF COMPAL ELECTRONICS, INC. AND CONTAINS CONFIDENTIAL AND TRADE SECRET INFORMATION. THIS SHEET MAY NOT BE TRANSFERRED FROM THE CUSTODY OF THE COMPETENT DIVISION OF R&D DEPARTMENT EXCEPT AS AUTHORIZED BY COMPAL ELECTRONICS, INC. NEITHER THIS SHEET NOR THE INFORMATION IT CONTAINS MAY BE USED BY OR DISCLOSED TO ANY THIRD PARTY WITHOUT PRIOR WRITTEN CONSENT OF COMPAL ELECTRONICS, INC.

Compal Electronics, Inc.		
Title SCHEMATIC, MB LA-1281		
Size B	Document Number 401202	Rev 2A
Date: 日期: 2002.04.04	Sheet 30	of 34



PROPRIETARY NOTE THIS SHEET OF ENGINEERING DRAWING IS THE PROPRIETARY PROPERTY OF COMPAL ELECTRONICS, INC. AND CONTAINS CONFIDENTIAL AND TRADE SECRET INFORMATION. THIS SHEET MAY NOT BE TRANSFERRED FROM THE CUSTODY OF THE COMPETENT DIVISION OF R&D DEPARTMENT EXCEPT AS AUTHORIZED BY COMPAL ELECTRONICS, INC. NEITHER THIS SHEET NOR THE INFORMATION IT CONTAINS MAY BE USED BY OR DISCLOSED TO ANY THIRD PARTY WITHOUT PRIOR WRITTEN CONSENT OF COMPAL ELECTRONICS, INC.

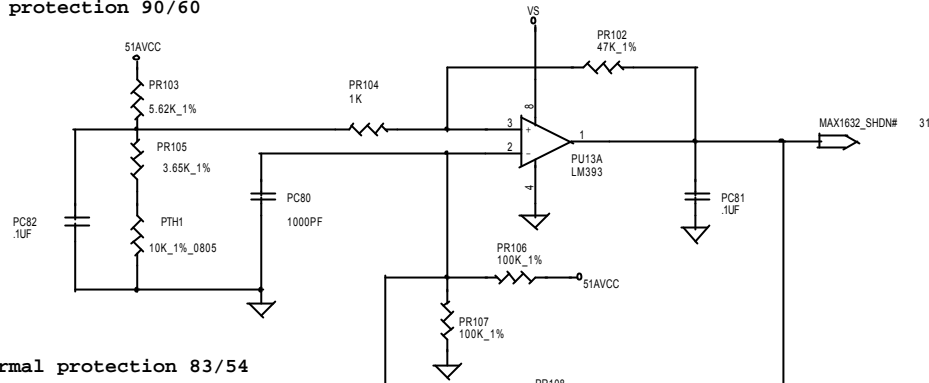
Compal Electronics, Inc.			
Title			
SCHEMATIC, M/B LA-1281			
Size	Document Number		Rev
B	401202		2A
Date:	日期: 2002.04.04	Sheet	31 of 34



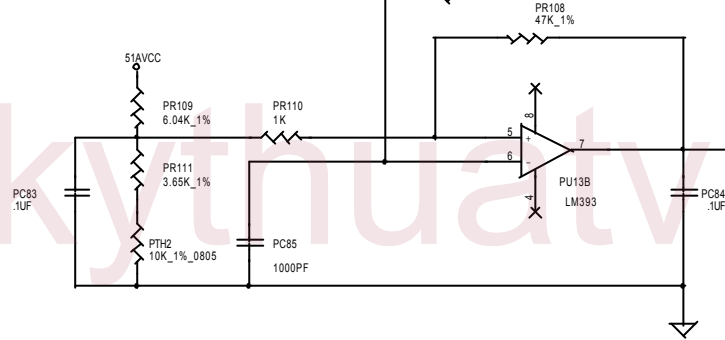
PROPRIETARY NOTE THIS SHEET OF ENGINEERING DRAWING IS THE PROPRIETARY PROPERTY OF COMPAL ELECTRONICS, INC. AND CONTAINS CONFIDENTIAL AND TRADE SECRET INFORMATION. THIS SHEET MAY NOT BE TRANSFERRED FROM THE CUSTODY OF THE COMPETENT DIVISION OF R&D DEPARTMENT EXCEPT AS AUTHORIZED BY COMPAL ELECTRONICS, INC. NEITHER THIS SHEET NOR THE INFORMATION IT CONTAINS MAY BE USED BY OR DISCLOSED TO ANY THIRD PARTY WITHOUT PRIOR WRITTEN CONSENT OF COMPAL ELECTRONICS, INC.

Compal Electronics, Inc.			
Title		SCHEMATIC, M/B LA-1281	
Size	Document Number		Rev
B	401202		2A
Date:	星期二, 2002年04月02日	Sheet	32 of 34

For CPU thermal protection 90/60
度C



For Battery thermal protection 83/54
度C



Title		
SCHEMATIC, MIB LA-1281		
Size	Document Number	Rev
B	401202	2A
Date:	2002年04月04日	Sheet 33 of 34

CY23 PIR LIST

08/28/01 Written by Jerry

P11: Add Q61 and R407 for VTTPWRGD

***** Rev1.0 PIR List *****

09/10/01 Written by Jerry

P26: Add @ at R309 and Q47

Add C507 and U46

Change value of R317 to 510K

P27: Remove @ at R224, R229, R242, R245, R244, C273, and Q35

P32: Add PC91, PC92, PC93, and PC94.

09/12/01 Written by Jerry

P06: Change value of RP34, RP50, RP54, RP62, RP38, RP33, RP57,

RP61, RP53, and RP56 to 16P8R-22

P26: Change value of R317 to 560K

09/19/01 Written by Jerry

P29: Change value of PR29 to 174K_1%

P32: Change value of PR123 to 52.3K_1%

***** Rev2.0 PIR List *****

10/03/01 Written by Jerry

P02: Change value of R27 to 180

Delete R395

R395's Pin 1 tie to RP98's pin5

P03: Change value of R353 to 56.2 1%

P28: Add R408 between +3V and pin 87 of U3

10/08/01 Written by Jerry

P11, P13, P28: Change footprint of Y1, Y2, and Y3

P23: Change footprint of JP11

P28: Change footprint of JP12

P31: Change footprint of PL5

P26: Change footprint of SW1

10/17/01 Written by Jerry

P02: Add @ at RP25, RP24, RP28, RP27, RP31, RP30, RP 42, RP41,

RP40, RP43, RP44, RP45, RP46, RP47, RP48, RP49, RP7, RP1, RP6,

RP14, RP20, RP19, RP22, RP9, RP10, RP11, RP8, RP2, and R7

P06: Remove @ at R164

P11: Add @ at R176

www.kythuativitinh.com

Compal Electronics, Inc.

File

SCHEMATIC, M/B LA-1281

Size

Document Number

401202

Rev

2A

Date

2002.04.04

Sheet

34

of

34

PROPRIETARY NOTE

THIS SHEET OF ENGINEERING DRAWING IS THE PROPRIETARY PROPERTY OF COMPAL ELECTRONICS, INC. AND CONTAINS CONFIDENTIAL AND TRADE SECRET INFORMATION. THIS SHEET MAY NOT BE TRANSFERRED FROM THE CUSTODY OF THE COMPETENT DIVISION OF R&D DEPARTMENT EXCEPT AS AUTHORIZED BY COMPAL ELECTRONICS, INC. NEITHER THIS SHEET NOR THE INFORMATION IT CONTAINS MAY BE USED BY OR DISCLOSED TO ANY THIRD PARTY WITHOUT PRIOR WRITTEN CONSENT OF COMPAL ELECTRONICS, INC.