

SULLIVAN

REV : X01

@ : Depop Component for All

Dothan Schematic with Capture CIS and Function field

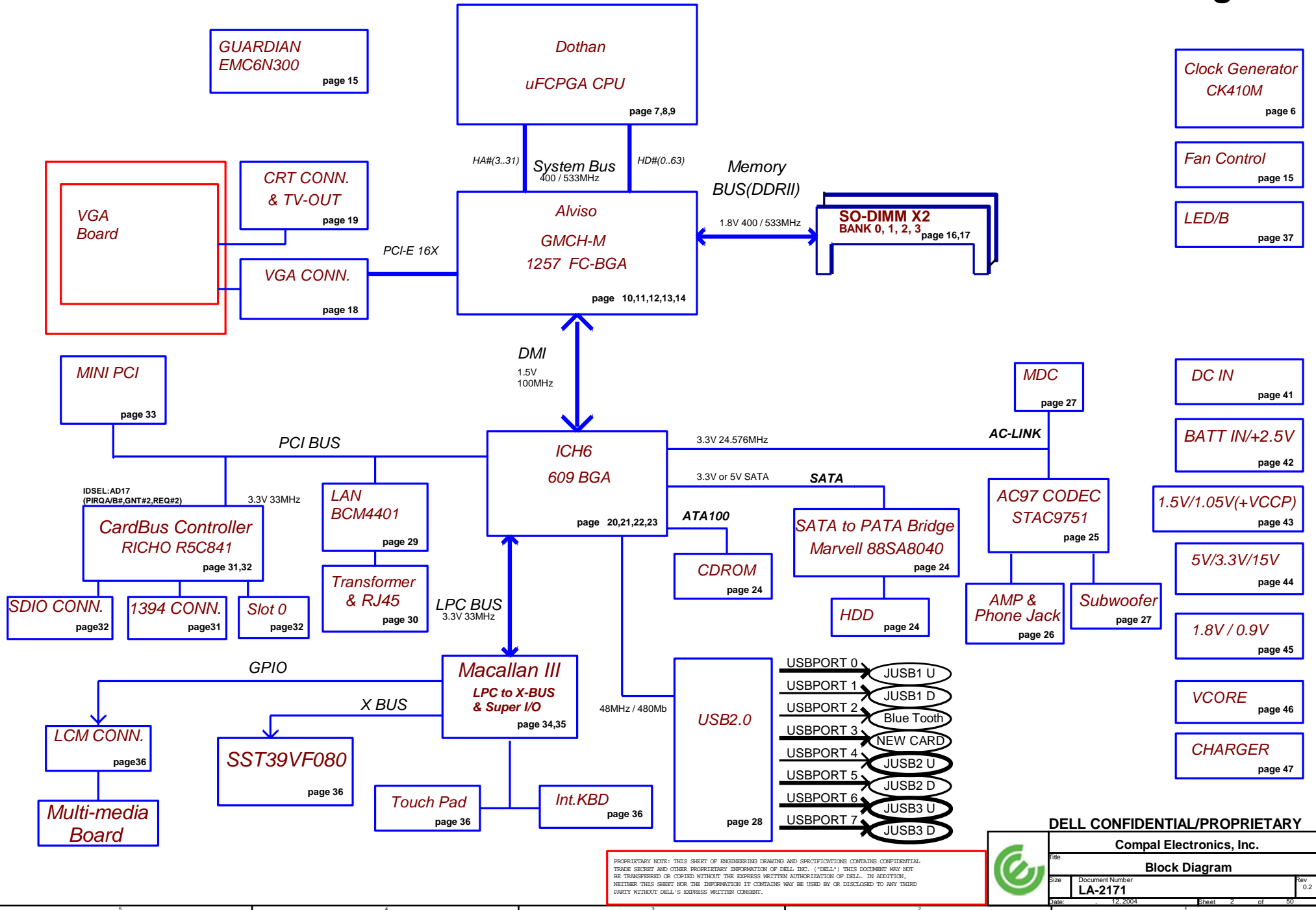
uFCPGA Dothan
02-11-2004
REV: 0.2

PROPRIETARY NOTE: THIS SHEET OF ENGINEERING DRAWING AND SPECIFICATIONS CONTAINS CONFIDENTIAL TRADE SECRET AND OTHER PROPRIETARY INFORMATION OF DELL INC. ("DELL"). THIS DOCUMENT MAY NOT BE TRANSMITTED OR COPIED WITHOUT THE EXPRESS WRITTEN AUTHORIZATION OF DELL. IN ADDITION, NEITHER THIS SHEET NOR THE INFORMATION IT CONTAINS MAY BE USED BY OR DISCLOSED TO ANY THIRD PARTY WITHOUT DELL'S EXPRESS WRITTEN CONSENT.



DELL CONFIDENTIAL/PROPRIETARY

Compal Electronics, Inc.		
Title Cover Sheet		
Size	Document Number LA-2171	Rev 0.2
Date 12/2004	Sheet 1 of 50	



PM TABLE

State \ power plane	+3VALW +5VALW	+3VSUS +5VSUS +1.8VSUS +1.5VSUS	+5VRUN +3VRUN +0.9V_DDR_VTT +2.5VRUN +1.8VRUN +1.5VRUN +VCC_CORE +VCCP +15V
S0	ON	ON	ON
S1	ON	ON	ON
S3	ON	ON	OFF
S5 S4/AC	ON	OFF	OFF
S5 S4/AC don't exist	OFF	OFF	OFF

PCI TABLE

PCI DEVICE	IDSEL	REQ#/GNT#	PIRQ
CARD BUS	AD17	1	D,C
MINI PCI	AD19	3	D,B
LAN	AD16	4	C

USB TABLE

USB PORT#	DESTINATION
0	JUSB1 (Top)
1	JUSB1 (Bottom)
2	Blue Tooth
3	NEW CARD
4	JUSB2 (Top)
5	JUSB2 (Bottom)
6	JUSB3 (Top)
7	JUSB3 (Bottom)

DELL CONFIDENTIAL/PROPRIETARY

Compal Electronics, Inc.

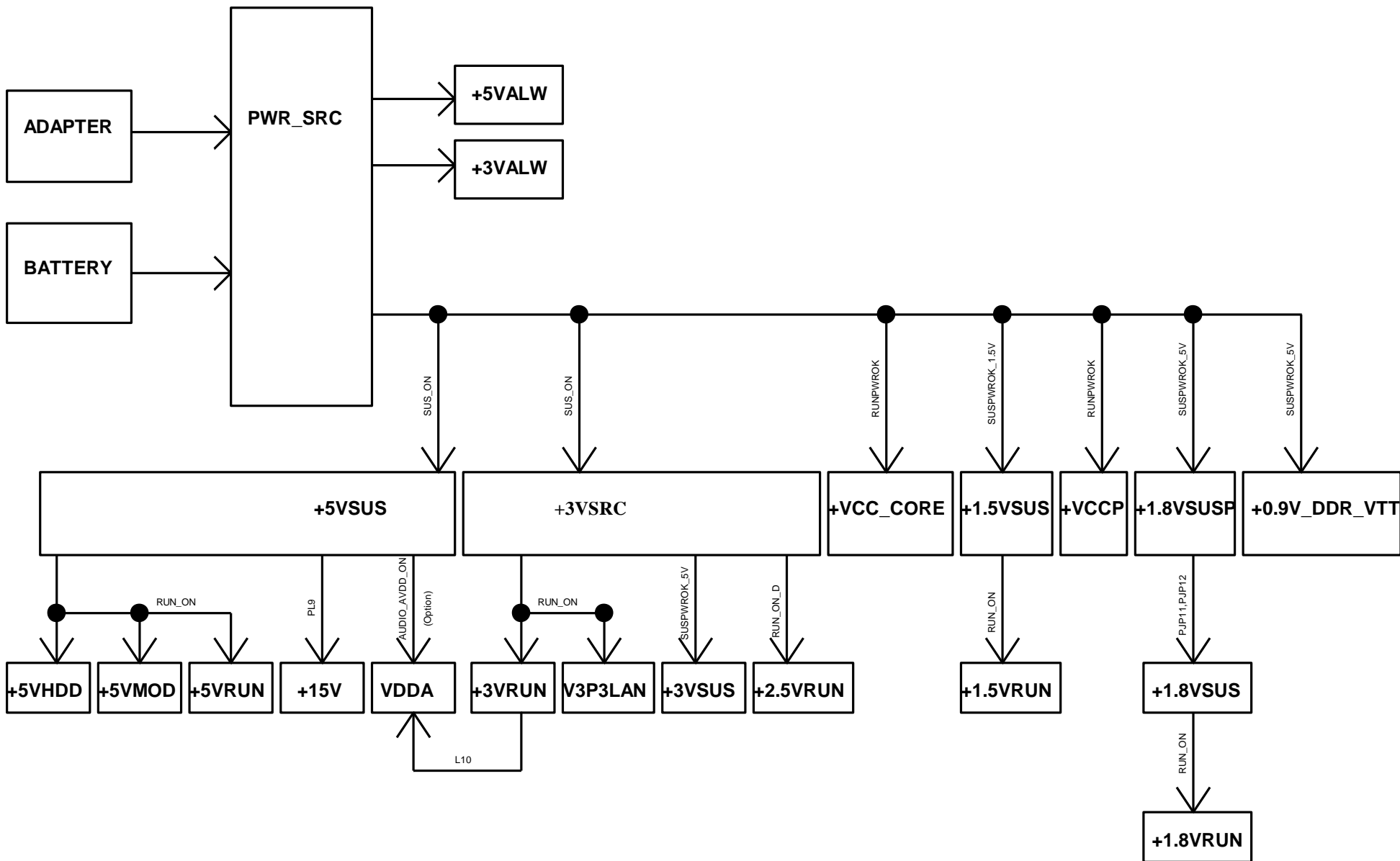
Index and Config.



Size	Document Number	Rev
	LA-2171	0.2

Date: 12/2004 Sheet 3 of 50

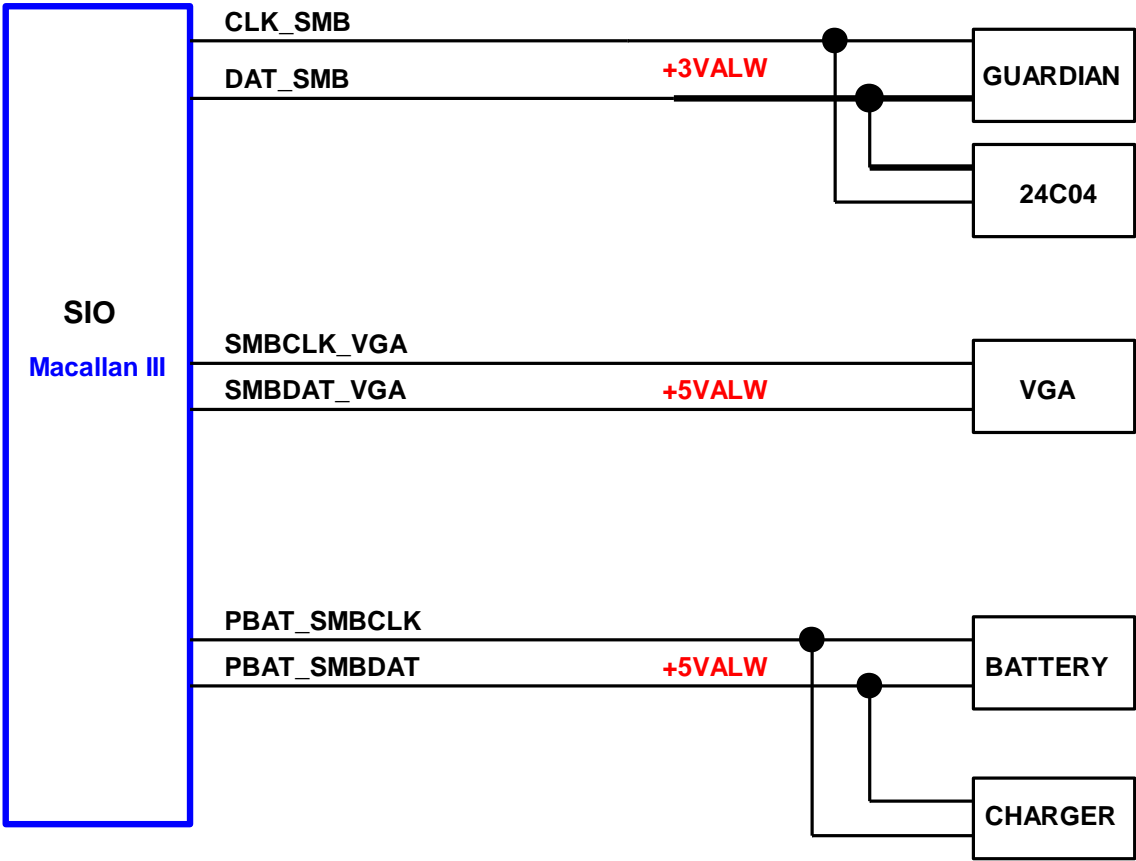
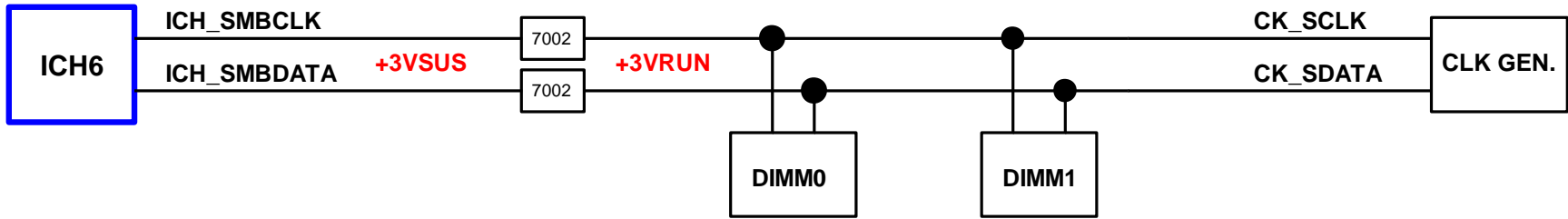
PROPRIETARY NOTE: THIS SHEET OF ENGINEERING DRAWING AND SPECIFICATIONS CONTAINS CONFIDENTIAL TRADE SECRET AND OTHER PROPRIETARY INFORMATION OF DELL, INC. ("DELL"). THIS DOCUMENT MAY NOT BE TRANSMITTED OR COPIED WITHOUT THE EXPRESS WRITTEN AUTHORIZATION OF DELL. IN ADDITION, NEITHER THIS SHEET NOR THE INFORMATION IT CONTAINS MAY BE USED BY OR DISCLOSED TO ANY THIRD PARTY WITHOUT DELL'S EXPRESS WRITTEN CONSENT.



PROPRIETARY NOTE: THIS SHEET OF ENGINEERING DRAWING AND SPECIFICATIONS CONTAINS CONFIDENTIAL TRADE SECRET AND OTHER PROPRIETARY INFORMATION OF DELL INC. ("DELL") THIS DOCUMENT MAY NOT BE TRANSFERRED OR COPIED WITHOUT THE EXPRESS WRITTEN AUTHORIZATION OF DELL. IN ADDITION, NEITHER THIS SHEET NOR THE INFORMATION IT CONTAINS MAY BE USED BY OR DISCLOSED TO ANY THIRD PARTY WITHOUT DELL'S EXPRESS WRITTEN CONSENT.



DELL CONFIDENTIAL/PROPRIETARY		
Compal Electronics, Inc.		
Title Power Rail		
Size	Document Number	Rev
	LA-2171	0.2
Date	12, 2004	Sheet 4 of 50

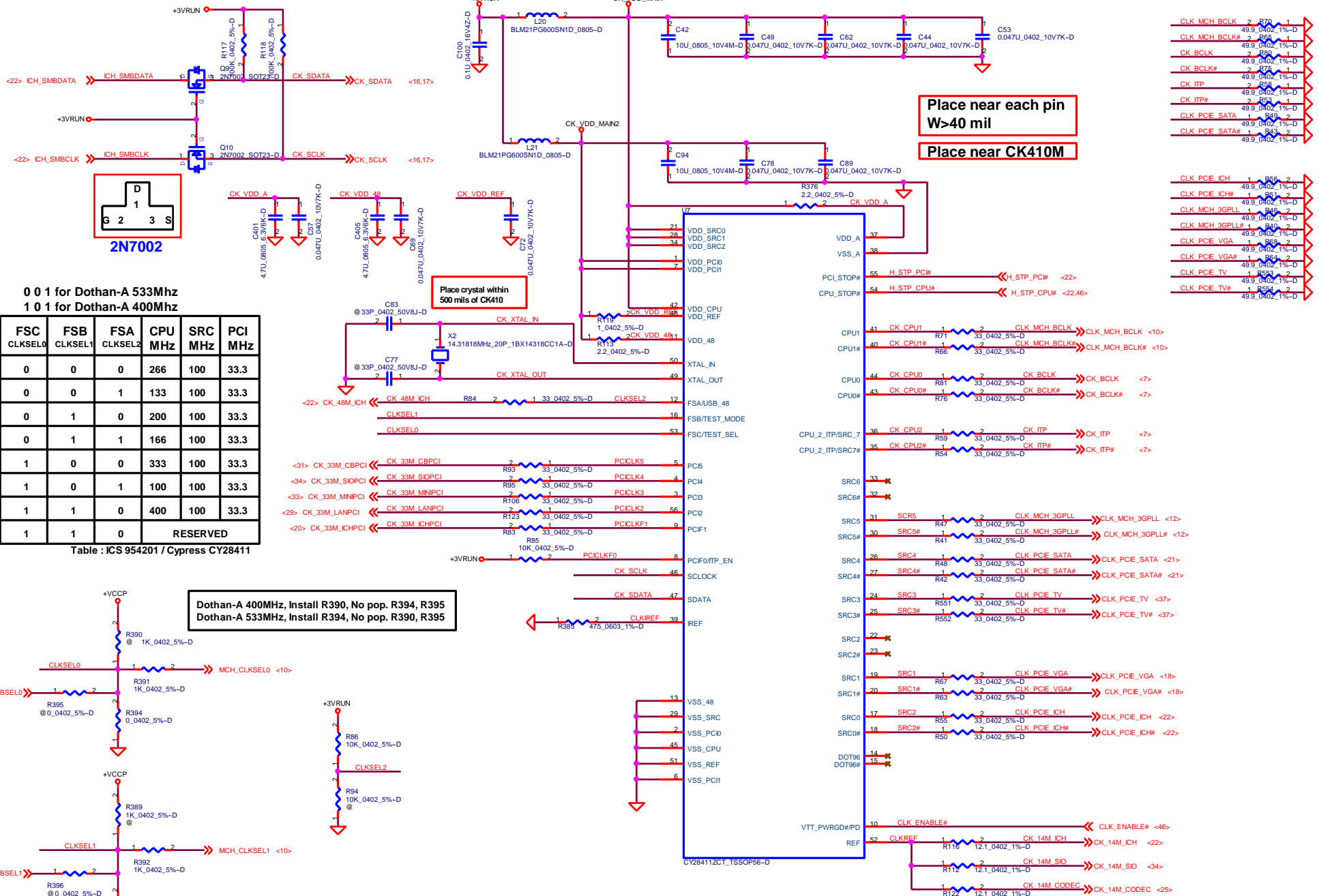


	Device	Address
ICH6-SMBus	DIM0	A0h
	DIM1	A2h
	CLK GEN.	D2h
EC-SMBus	GUARDIAN	5Eh
	24C04	A2h
	VGA	58h
	Battery	16h
	Charger	12h

PROPRIETARY NOTE: THIS SHEET OF ENGINEERING DRAWING AND SPECIFICATIONS CONTAINS CONFIDENTIAL TRADE SECRET AND OTHER PROPRIETARY INFORMATION OF DELL INC. ("DELL"). THIS DOCUMENT MAY NOT BE TRANSFERRED OR COPIED WITHOUT THE EXPRESS WRITTEN AUTHORIZATION OF DELL. IN ADDITION, NEITHER THIS SHEET NOR THE INFORMATION IT CONTAINS MAY BE USED BY OR DISCLOSED TO ANY THIRD PARTY WITHOUT DELL'S EXPRESS WRITTEN CONSENT.



DELL CONFIDENTIAL/PROPRIETARY
Compal Electronics, Inc.
SMBUS TOPOLOGY
 Document Number: LA-2171
 Date: 12/2004 Sheet 5 of 50



0 0 1 for Dothan-A 533Mhz
1 0 1 for Dothan-A 400Mhz

FSC CLKSEL0	FSB CLKSEL1	FSA CLKSEL2	CPU MHz	SRC MHz	PCI MHz
0	0	0	266	100	33.3
0	0	1	133	100	33.3
0	1	0	200	100	33.3
0	1	1	166	100	33.3
1	0	0	333	100	33.3
1	0	1	100	100	33.3
1	1	0	400	100	33.3
1	1	0	RESERVED		

Table : ICS 954201 / Cypress CY28411

Dothan-A 400MHz, Install R390, No pop. R394, R395
Dothan-A 533MHz, Install R394, No pop. R390, R395

PROPRIETARY NOTE: THIS SHEET OF ENGINEERING DRAWING AND SPECIFICATIONS CONTAINS CONFIDENTIAL TRADE SECRET AND OTHER PROPRIETARY INFORMATION OF DELL, INC. ("DELL"). THIS DOCUMENT MAY NOT BE TRANSMITTED OR COPIED WITHOUT THE EXPRESS WRITTEN AUTHORIZATION OF DELL. IN ADDITION, WHETHER THIS SHEET OR THE INFORMATION IT CONTAINS MAY BE USED BY OR DISCLOSED TO ANY THIRD PARTY WITHOUT DELL'S EXPRESS WRITTEN CONSENT.

DELL CONFIDENTIAL/PROPRIETARY

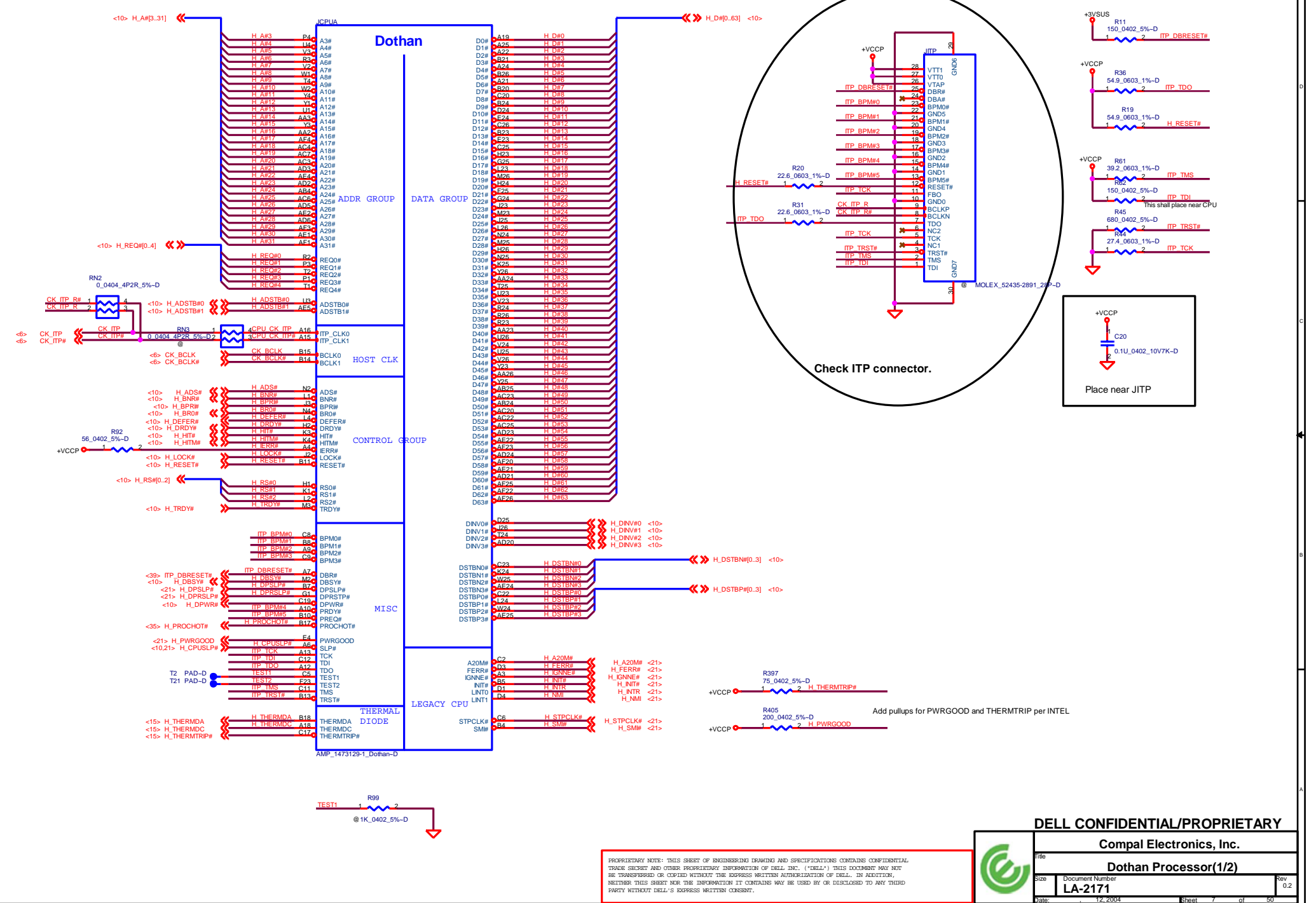
Compal Electronics, Inc.

Clock Generator

LA-2171

Rev 0.2

Date: 12/2004 Sheet 6 of 50



DELL CONFIDENTIAL/PROPRIETARY

Compal Electronics, Inc.

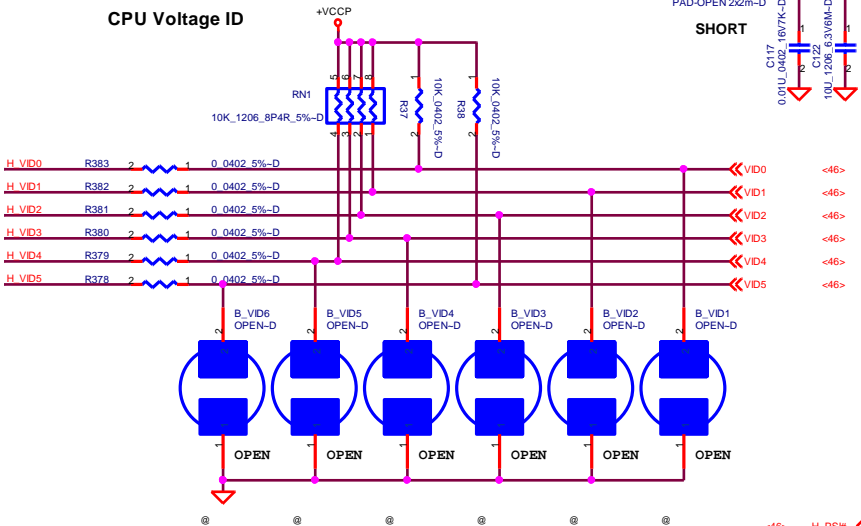
Dothan Processor(1/2)

Size	Document Number	Rev
LA-2171	LA-2171	0.2
Date	Sheet	of
12/2004	7	50

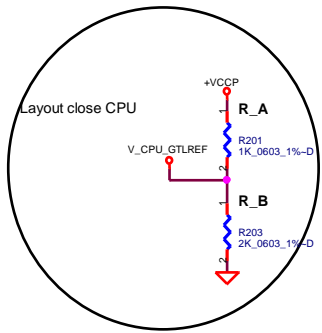
PROPRIETARY NOTE: THIS SHEET OF ENGINEERING DRAWING AND SPECIFICATIONS CONTAINS CONFIDENTIAL TRADE SECRET AND OTHER PROPRIETARY INFORMATION OF DELL, INC. ("DELL"). THIS DOCUMENT MAY NOT BE TRANSMITTED OR COPIED WITHOUT THE EXPRESS WRITTEN AUTHORIZATION OF DELL, IN ADDITION, NEITHER THIS SHEET NOR THE INFORMATION IT CONTAINS MAY BE USED BY OR DELEGATED TO ANY THIRD PARTY WITHOUT DELL'S EXPRESS WRITTEN CONSENT.

For test only ,Cmos output

CPU Voltage ID



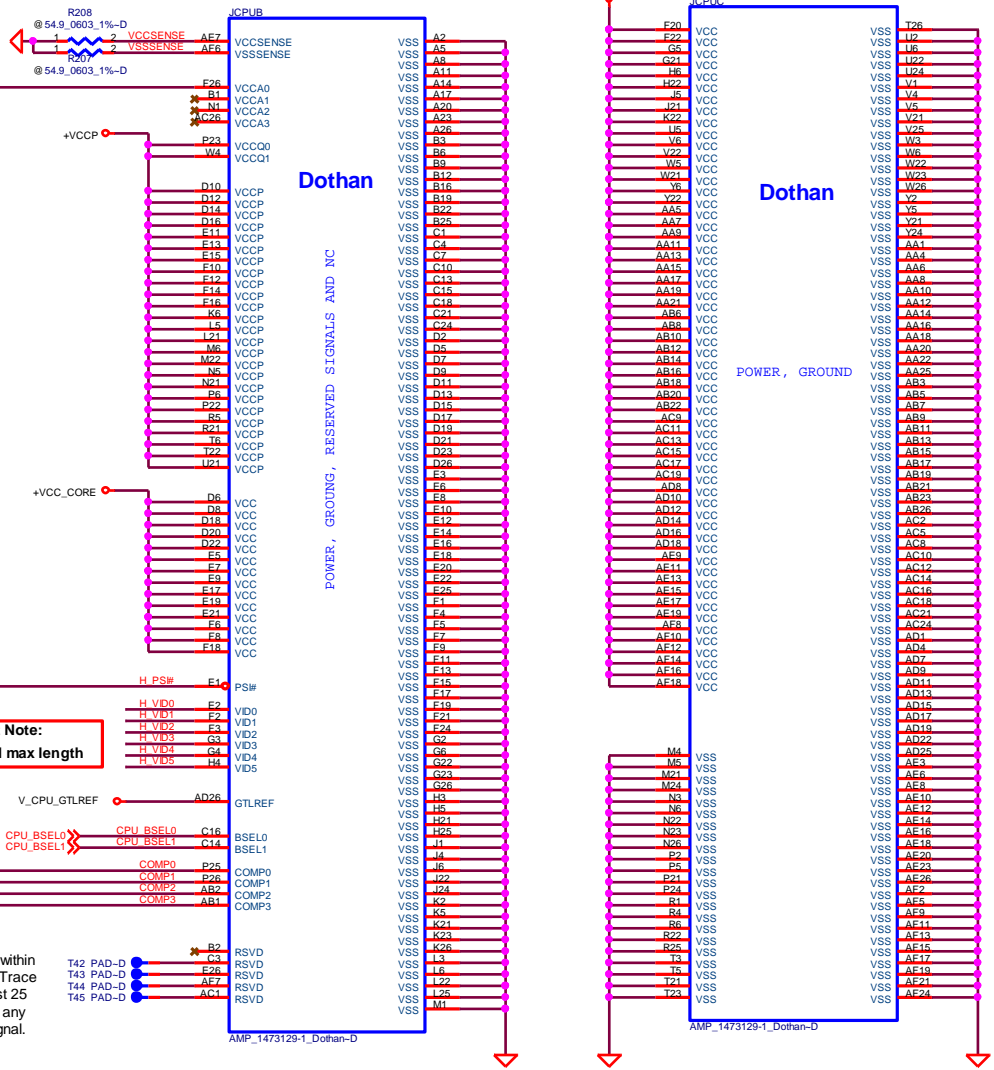
Layout close CPU



Layout Note:
500 mil max length

Resistor placed within 0.5" of CPU pin. Trace should be at least 25 mils away from any other toggling signal.

PROPRIETARY NOTE: THIS SHEET OF ENGINEERING DRAWING AND SPECIFICATIONS CONTAINS CONFIDENTIAL TRADE SECRET AND OTHER PROPRIETARY INFORMATION OF DELL, INC. ("DELL"). THIS DOCUMENT MAY NOT BE TRANSMITTED OR COPIED WITHOUT THE EXPRESS WRITTEN AUTHORIZATION OF DELL, IN ADDITION, NEITHER THIS SHEET NOR THE INFORMATION IT CONTAINS MAY BE USED BY OR DISCLOSED TO ANY THIRD PARTY WITHOUT DELL'S EXPRESS WRITTEN CONSENT.



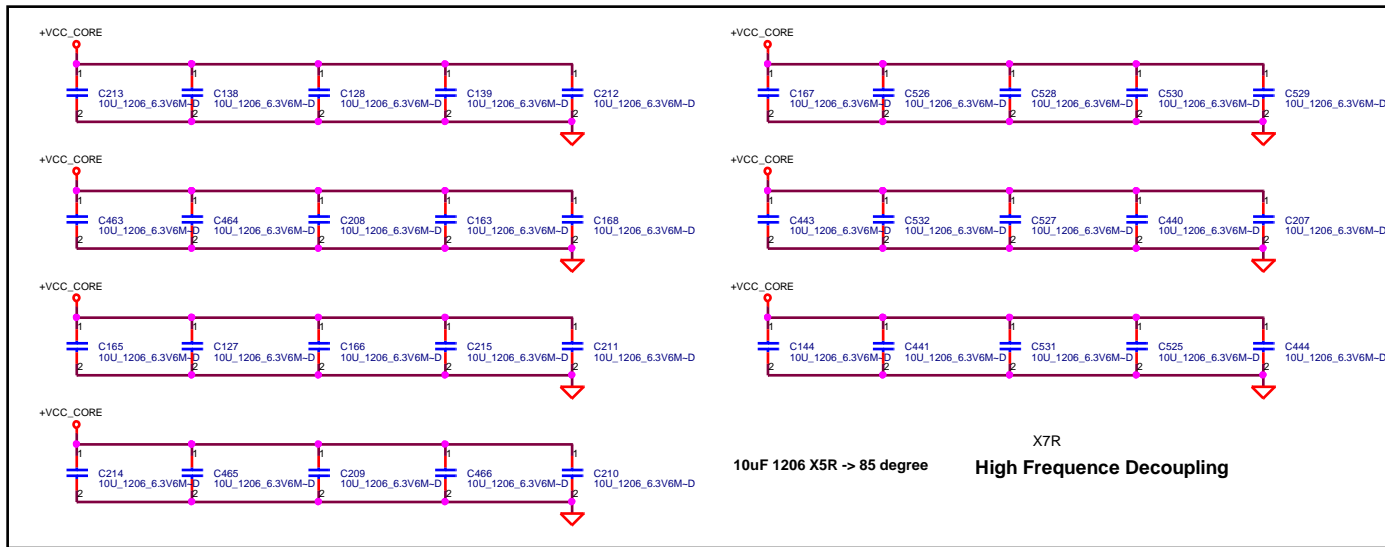
DELL CONFIDENTIAL/PROPRIETARY

Compal Electronics, Inc.

Dothan Processor(2/2)

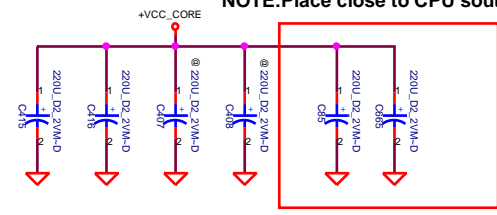


Size: LA-2171
Date: 12/2004
Sheet: 8 of 50
Rev: 0.2

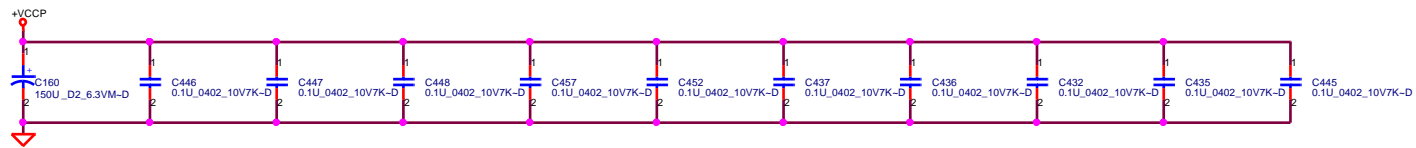


Near VCORE regulator.

NOTE: Place close to CPU south side



ESR <= 3m ohm
Capacitor > 880 uF



PROPRIETARY NOTE: THIS SHEET OF ENGINEERING DRAWING AND SPECIFICATIONS CONTAINS CONFIDENTIAL TRADE SECRET AND OTHER PROPRIETARY INFORMATION OF DELL INC. ("DELL") THIS DOCUMENT MAY NOT BE TRANSMITTED OR COPIED WITHOUT THE EXPRESS WRITTEN AUTHORIZATION OF DELL. IN ADDITION, NEITHER THIS SHEET NOR THE INFORMATION IT CONTAINS MAY BE USED BY OR DISCLOSED TO ANY THIRD PARTY WITHOUT DELL'S EXPRESS WRITTEN CONSENT.

DELL CONFIDENTIAL/PROPRIETARY
Compal Electronics, Inc.
Dothan Bypass
LA-2171
Date: 12, 2004 Sheet 9 of 50

<7> H_A# [3..31]

U15A Alviso

T1 PAD-D

H_RSTB# [0..3]

H_RSTB# [0..3]

H_RESET#

H_RS# [0..2]

H_CPUSLP#

Note: "Do not install R97 for Dothan-A, Install R97 for Dothan-B"

H_D# [0..63]

Layout Note: will show these signals routed differentially.

H_SWING1

H_SWING0

VCCP

VCCP

VCCP

VCCP

VCCP

VCCP

VCCP

VCCP

VCCP

VCCP

VCCP

VCCP

VCCP

VCCP

- DMI TXN0-AA31, DMI TXN1-AB35, DMI TXN2-AC31, DMI TXN3-AD35, DMI TXP0-Y1, DMI TXP1-AB35, DMI TXP2-AB35, DMI TXP3-AC35, DMI RXN0-AA33, DMI RXN1-AB37, DMI RXN2-AC33, DMI RXN3-AD37, DMI RXP0-Y3, DMI RXP1-AB37, DMI RXP2-AB33, DMI RXP3-AC37

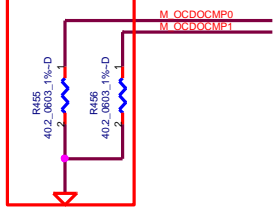
- M_CLK_DDR0-AM33, M_CLK_DDR1-AL1, M_CLK_DDR3-AE6, M_CLK_DDR4-CG10, M_CLK_DDR#0-AN3, M_CLK_DDR#1-AK1, M_CLK_DDR#3-AE6, M_CLK_DDR#4-AE6, M_CLK_DDR#0-AP1, M_CLK_DDR#3-AB33, M_CLK_DDR#4-AE6

- DDR_CKE0_DIMMA-AP1, DDR_CKE1_DIMMA-AM21, DDR_CKE2_DIMMB-AK21, DDR_CKE3_DIMMB-AK21, DDR_CS0_DIMMA-AN6, DDR_CS1_DIMMA-AM12, DDR_CS2_DIMMB-AH16, DDR_CS3_DIMMB-AG16

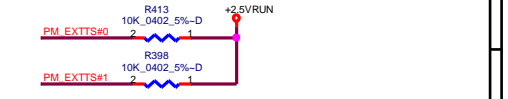
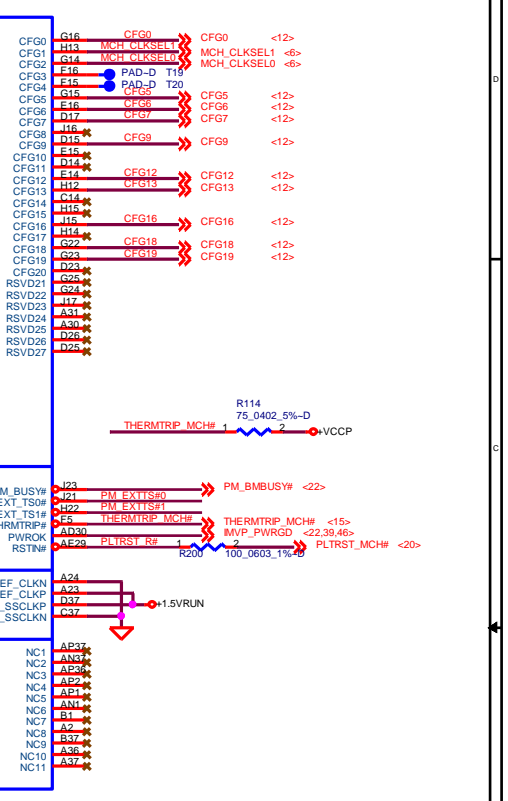
- M_ODDCOMP0-AE6, M_ODDCOMP1-AM15, M_ODD1-AL15, M_ODD2-AM14, M_ODD3-AN10, M_ODD3-SM_ODD3

- SMRCOMPN-AK10, SMRCOMPMP-AK11, SMVREF0-AE7, SMXSLWLN-AE8, SMXSLWOUT-AE9, SMXSLWOUT-AE10

Layout Note: Rote as short as possible



U15B



DELL CONFIDENTIAL/PROPRIETARY

Compal Electronics, Inc.

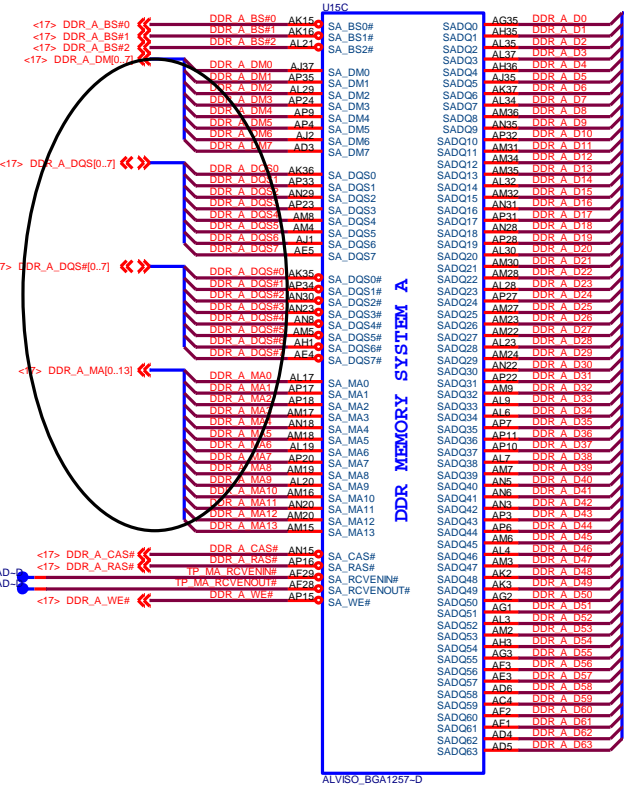


Alviso(1 of 5)

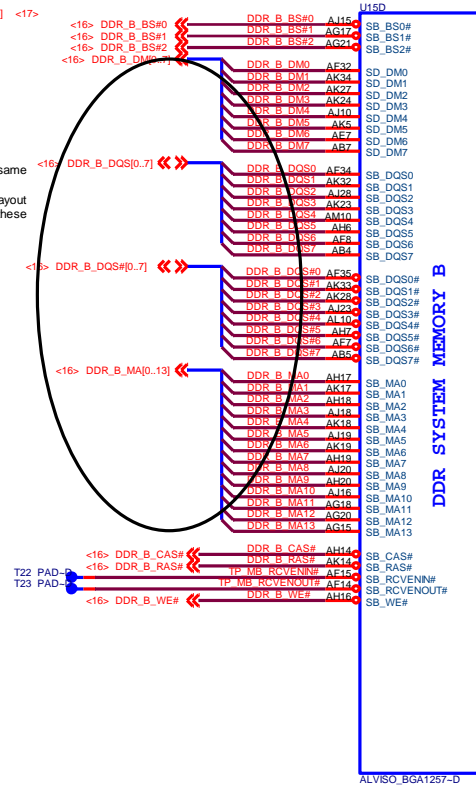
LA-2171

PROPRIETARY NOTE: THIS SHEET OF ENGINEERING DRAWING AND SPECIFICATIONS CONTAINS CONFIDENTIAL TRADE SECRET AND OTHER PROPRIETARY INFORMATION OF DELL, INC. ("DELL") THIS DOCUMENT MAY NOT BE TRANSMITTED OR COPIED WITHOUT THE EXPRESS WRITTEN AUTHORIZATION OF DELL, IN ADDITION, NEITHER THIS SHEET NOR THE INFORMATION IT CONTAINS MAY BE USED OR DEVELOPED TO ANY THIRD PARTY WITHOUT DELL'S EXPRESS WRITTEN CONSENT.

This Symbol as same as Intel CRB schematic, So Layout Guide will show these signals routed differentially.



This Symbol as same as Intel CRB schematic, So Layout Guide will show these signals routed differentially.



ALVISO_BGA1257-D

ALVISO_BGA1257-D

DELL CONFIDENTIAL/PROPRIETARY

Compal Electronics, Inc.

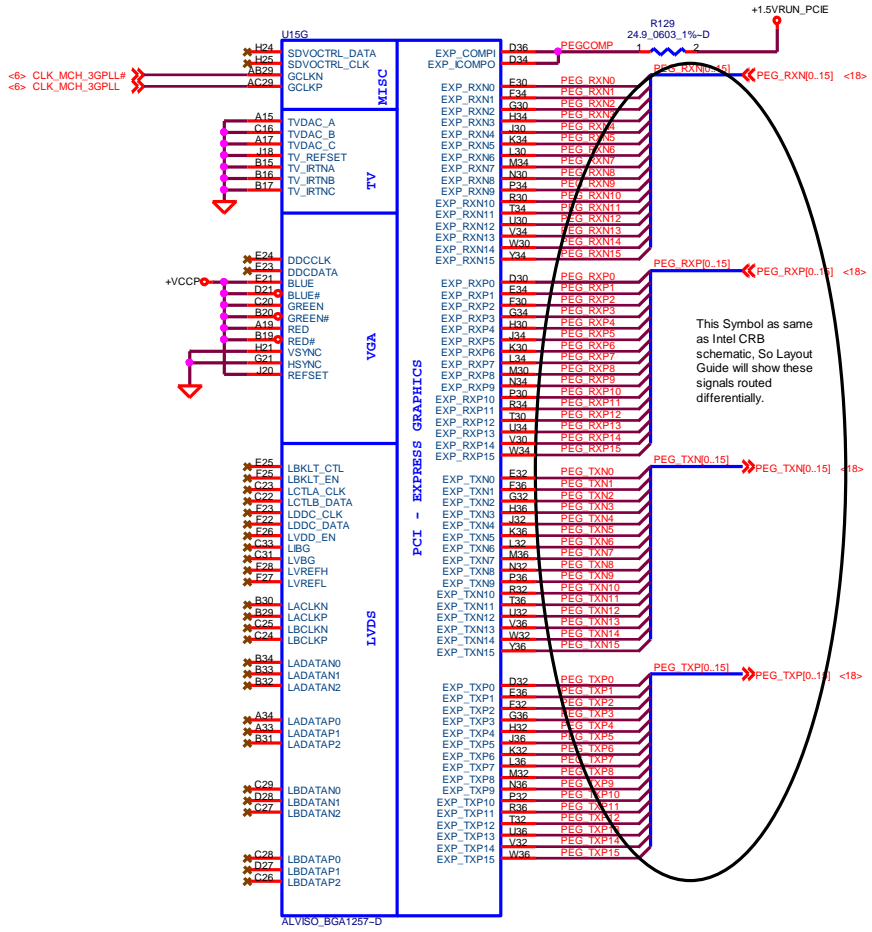
Alviso(2 of 5)



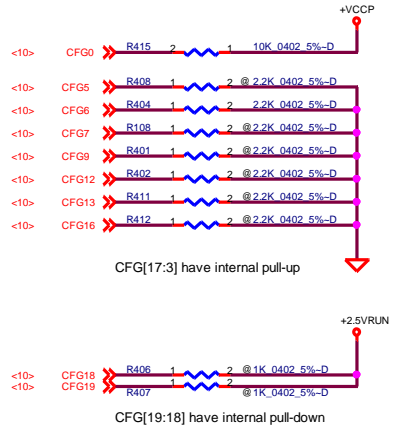
LA-2171

Rev 0.2

PROPRIETARY NOTE: THIS SHEET OF ENGINEERING DRAWING AND SPECIFICATIONS CONTAINS CONFIDENTIAL TRADE SECRET AND OTHER PROPRIETARY INFORMATION OF DELL, INC. ("DELL") THIS DOCUMENT MAY NOT BE TRANSFERRED OR COPIED WITHOUT THE EXPRESS WRITTEN AUTHORIZATION OF DELL, IN ADDITION, WHETHER THIS SHEET OR THE INFORMATION IT CONTAINS MAY BE USED BY OR DISCLOSED TO ANY THIRD PARTY WITHOUT DELL'S EXPRESS WRITTEN CONSENT.



CFG[2:0]	Refer to sheet 6 for FSB frequency select
CFG5	Low = DMI x 2 High = DMI x 4 *
CFG6	Low = DDR-II * High = DDR-I
CFG7	Low = DT/Transportable CPU High = Mobile CPU *
CFG9	Low = Reverse Lane High = Normal Operation *
CFG[13:12]	00 = Reserved 01 = XDR Mode Enabled 10 = All Z Mode Enabled 11 = Normal Operation (Default) *
CFG16 (FSB Dynamic ODT)	Low = Disabled High = Enabled *
CFG18 (VCC Select)	Low = 1.05V (Default) * High = 1.5V
CFG19 (VTT Select)	Low = 1.05V (Default) * High = 1.2V



PROPRIETARY NOTE: THIS SHEET OF ENGINEERING DRAWING AND SPECIFICATIONS CONTAINS CONFIDENTIAL TRADE SECRET AND OTHER PROPRIETARY INFORMATION OF DELL INC. ("DELL") THIS DOCUMENT MAY NOT BE TRANSMITTED OR COPIED WITHOUT THE EXPRESS WRITTEN AUTHORIZATION OF DELL. IN ADDITION, WHETHER THIS SHEET OR THE INFORMATION IT CONTAINS MAY BE USED BY OR DISCLOSED TO ANY THIRD PARTY WITHOUT DELL'S EXPRESS WRITTEN CONSENT.

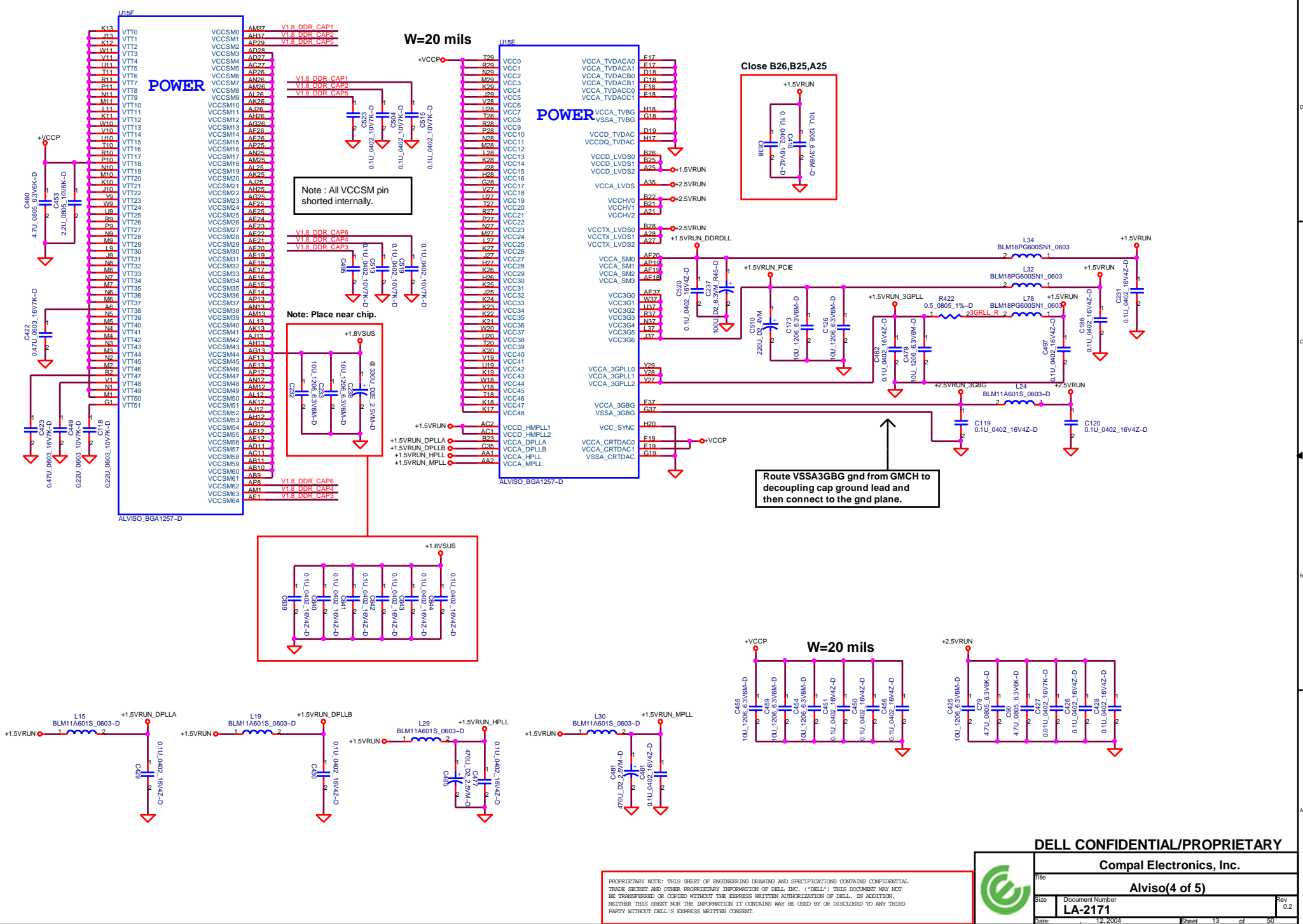


DELL CONFIDENTIAL/PROPRIETARY
Compal Electronics, Inc.

File: **Alviso(3 of 5)**

Size: Document Number **LA-2171** Rev: 0.2

Date: 12, 2004 Sheet: 12 of 50



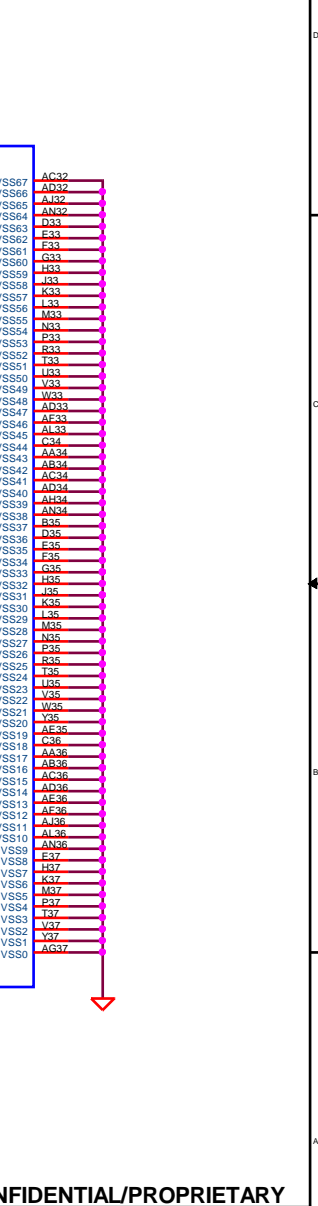
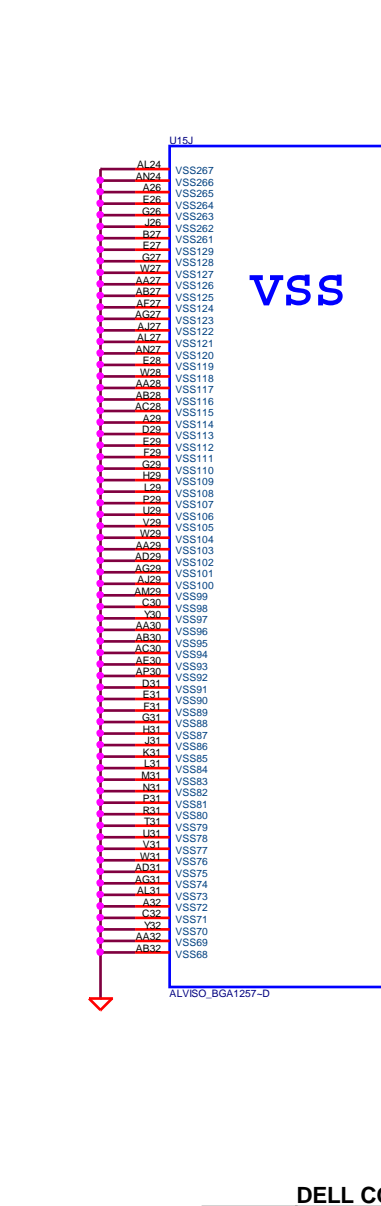
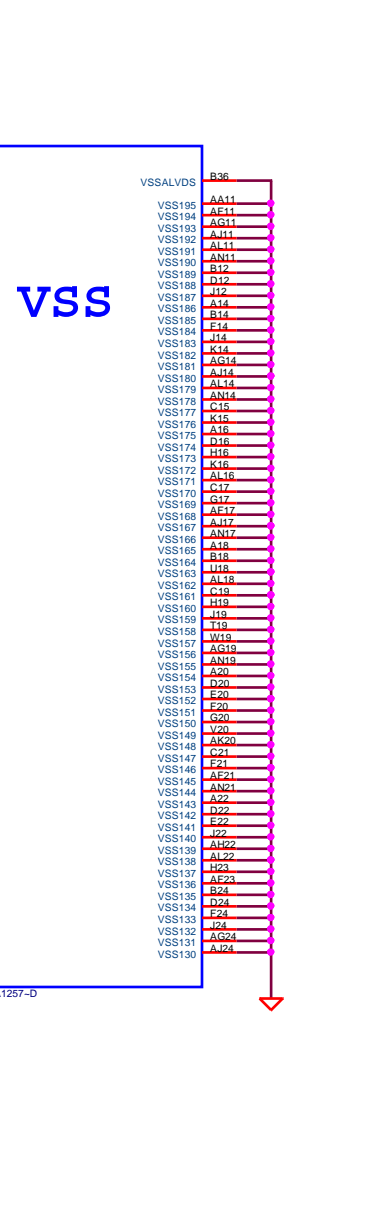
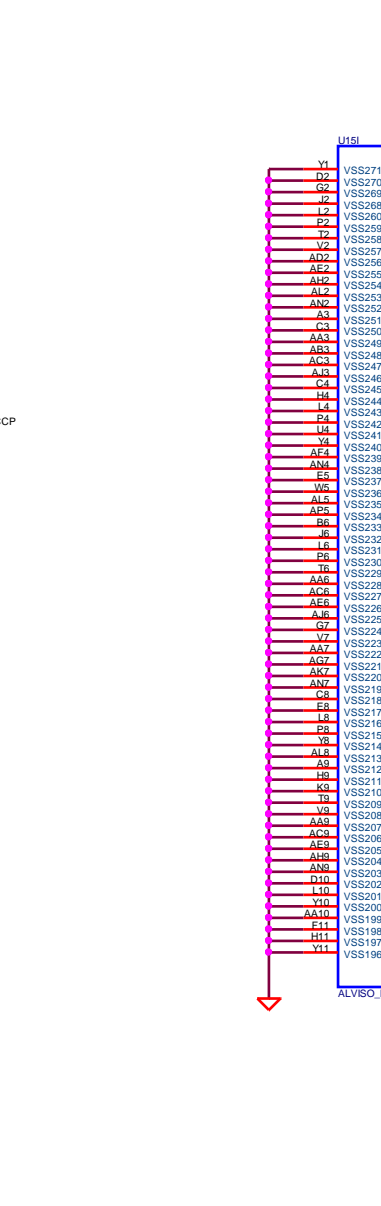
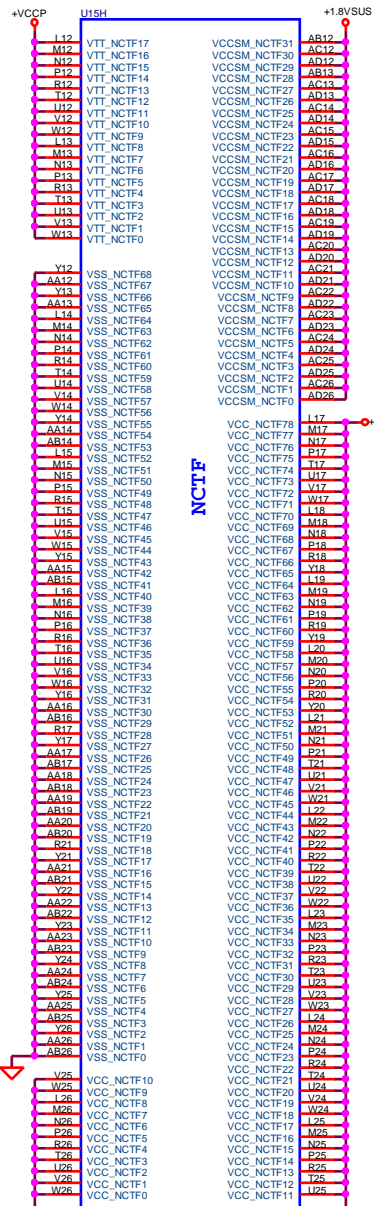
DELL CONFIDENTIAL/PROPRIETARY

Compal Electronics, Inc.



Title		Alviso(4 of 5)	
Size	Document Number	LA-2171	Rev 0.2
Date	12, 2004	Sheet	13 of 50

PROPRIETARY NOTE: THIS SHEET OF ENGINEERING DRAWING AND SPECIFICATIONS CONTAINS CONFIDENTIAL TRADE SECRET AND OTHER PROPRIETARY INFORMATION OF DELL, INC. ("DELL"). THIS DOCUMENT MAY NOT BE TRANSMITTED OR COPIED WITHOUT THE EXPRESS WRITTEN AUTHORIZATION OF DELL, IN ADDITION, NEITHER THIS SHEET NOR THE INFORMATION IT CONTAINS MAY BE USED BY OR DISCLOSED TO ANY THIRD PARTY WITHOUT DELL'S EXPRESS WRITTEN CONSENT.



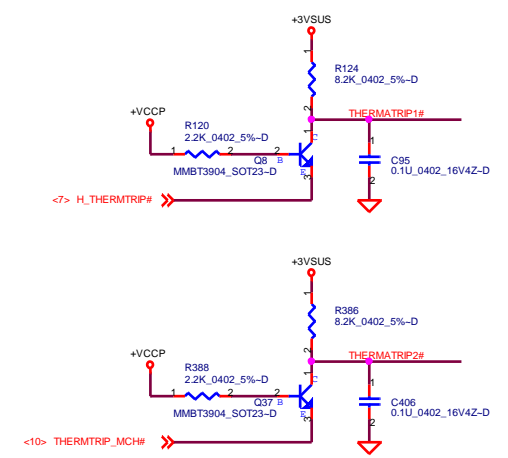
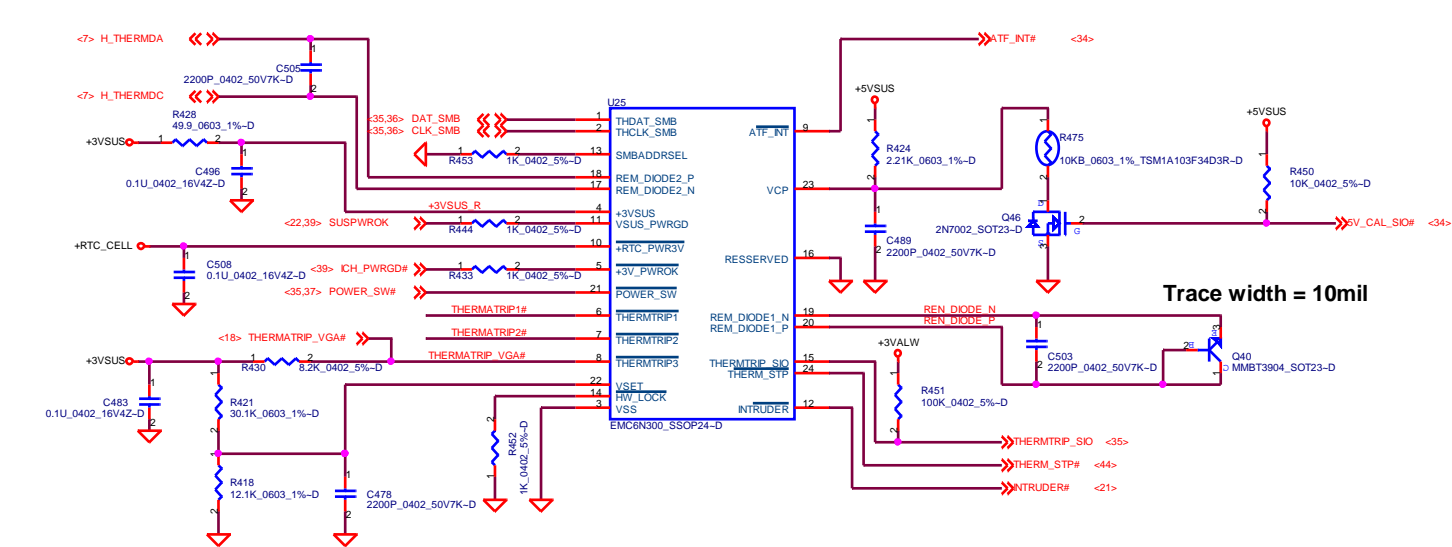
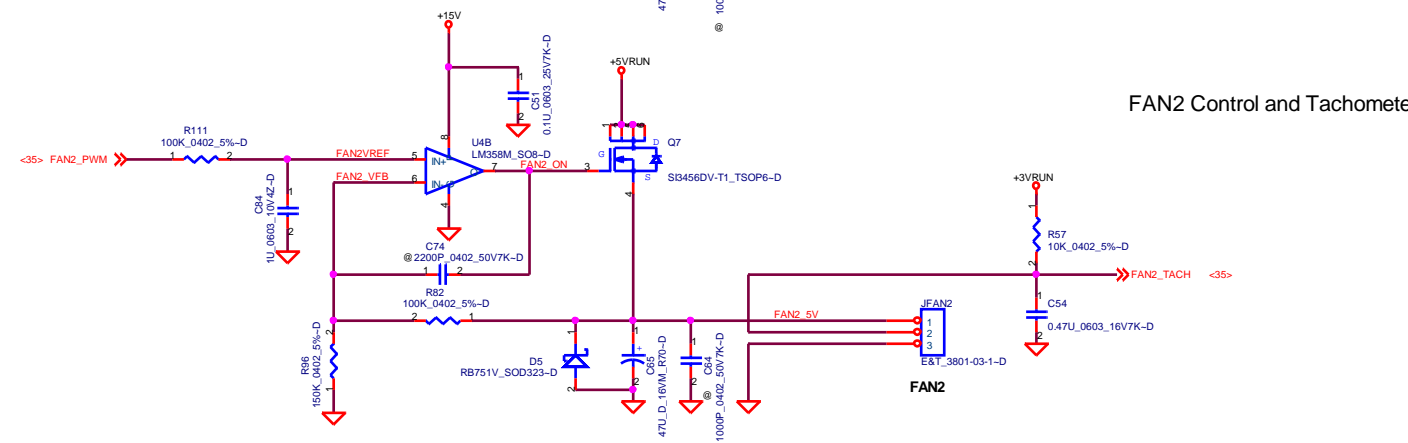
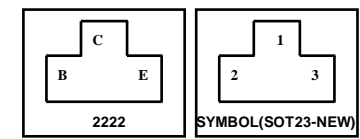
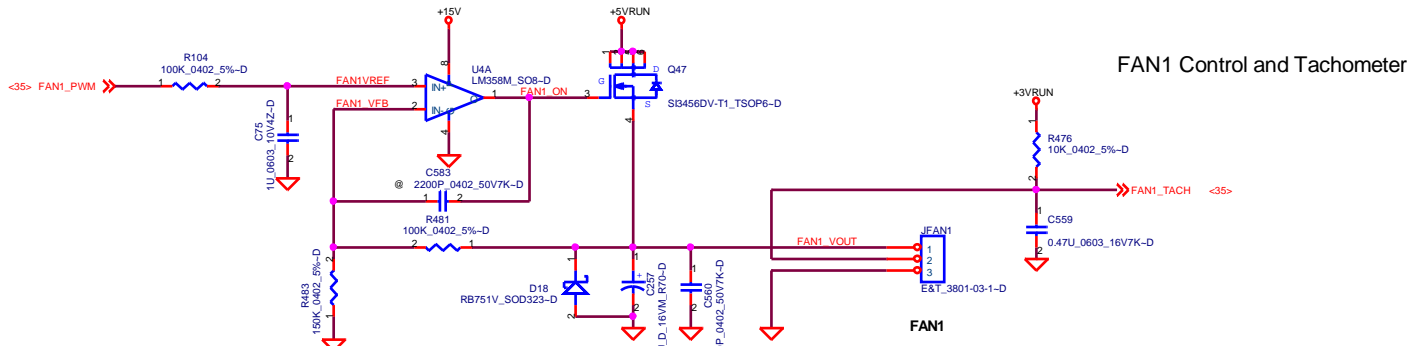
PROPRIETARY NOTE: THIS SHEET OF ENGINEERING DRAWING AND SPECIFICATIONS CONTAINS CONFIDENTIAL TRADE SECRET AND OTHER PROPRIETARY INFORMATION OF DELL, INC. ("DELL") THIS DOCUMENT MAY NOT BE REPRODUCED OR COPIED WITHOUT THE EXPRESS WRITTEN AUTHORIZATION OF DELL. IN ADDITION, NEITHER THIS SHEET NOR THE INFORMATION IT CONTAINS MAY BE USED BY OR DISCLOSED TO ANY THIRD PARTY WITHOUT DELL'S EXPRESS WRITTEN CONSENT.

DELL CONFIDENTIAL/PROPRIETARY
Compal Electronics, Inc.

File: **Alviso(5 of 5)**

Size: **LA-2171** Rev: **0.2**

Date: **12/20/04** Sheet: **14** of **50**



Trace width = 10mil

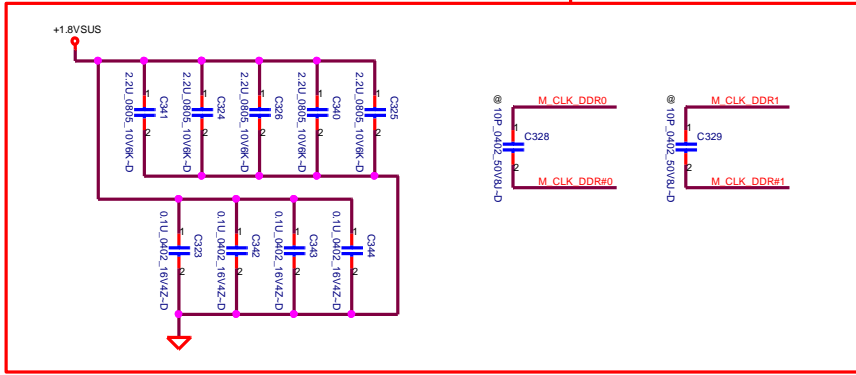
DELL CONFIDENTIAL/PROPRIETARY

		Compal Electronics, Inc.	
		Thermal sensor and Fan	
Size LA-2171	Document Number LA-2171	Date 12, 2004	Sheet 15 of 50
Rev 0.2			

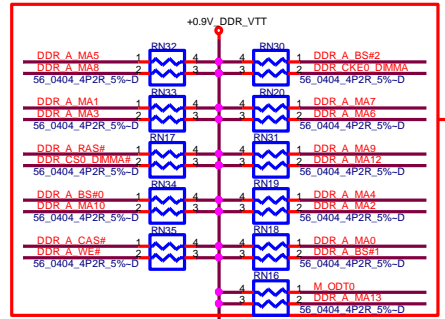
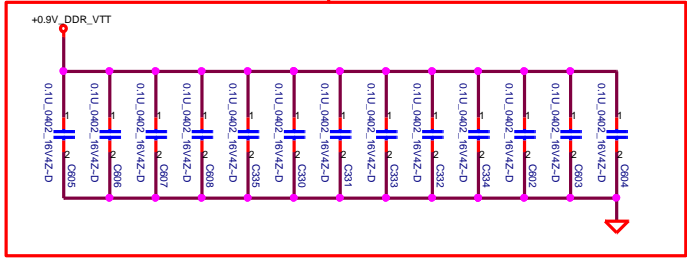
PROPRIETARY NOTE: THIS SHEET OF ENGINEERING DRAWING AND SPECIFICATIONS CONTAINS CONFIDENTIAL TRADE SECRET AND OTHER PROPRIETARY INFORMATION OF DELL INC. ("DELL") THIS DOCUMENT MAY NOT BE TRANSMITTED OR COPIED WITHOUT THE EXPRESS WRITTEN AUTHORIZATION OF DELL. IN ADDITION, NEITHER THIS SHEET NOR THE INFORMATION IT CONTAINS MAY BE USED BY OR DISCLOSED TO ANY THIRD PARTY WITHOUT DELL'S EXPRESS WRITTEN CONSENT.

<11> DDR_A_DQS#0[0..7] <<>
 <11> DDR_A_DQ[0..63] <<>
 <11> DDR_A_DM[0..7] <<>
 <11> DDR_A_DQS[0..7] <<>
 <11> DDR_A_MA[0..13] <<>

Layout Note:
Place near JDIM2

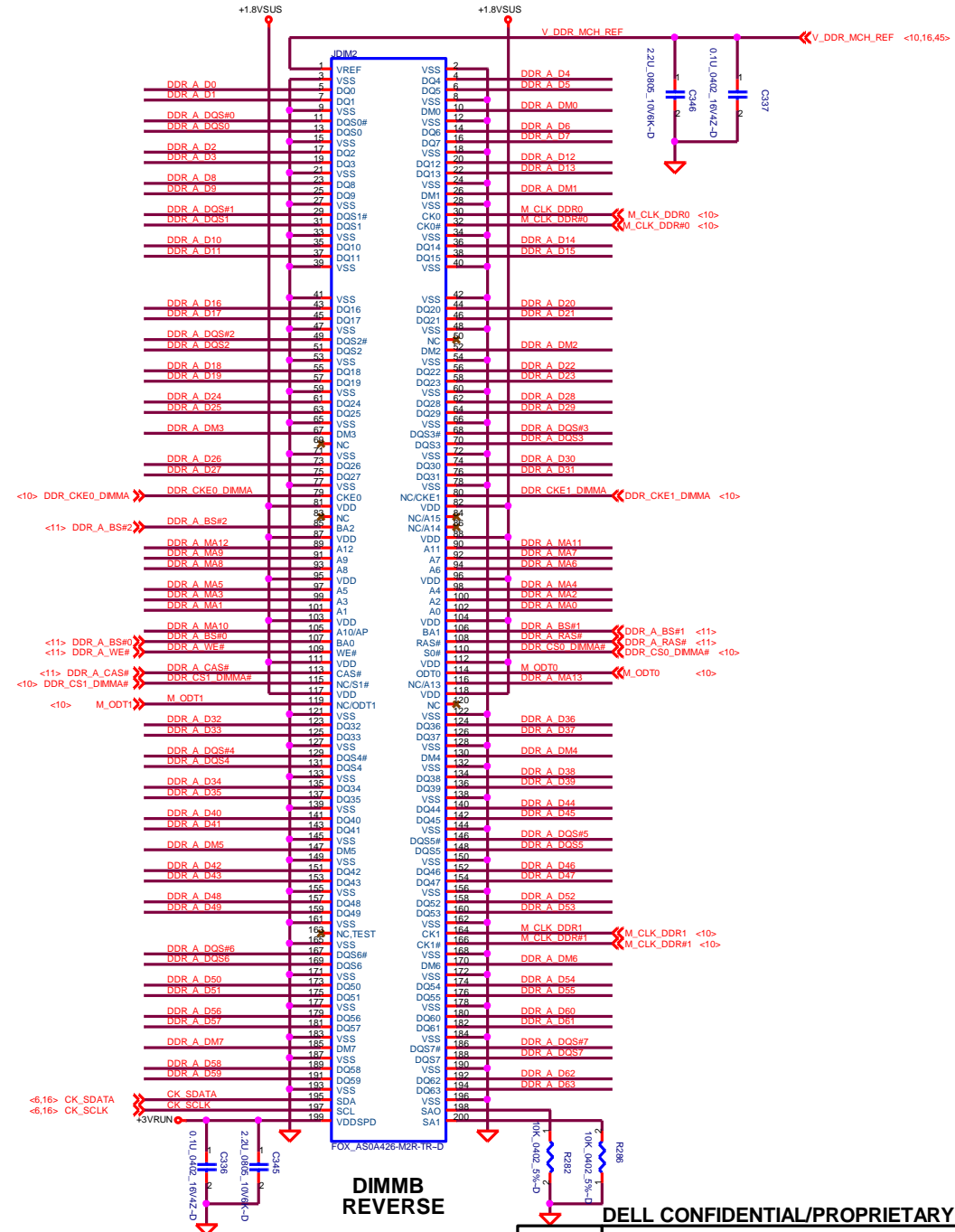


Layout Note:
Place one cap close to every 2 pullup resistors terminated to +0.9V_DDR_VTT



Layout Note:
Place this resistor closely JDIM2, all trace length < 750 mil

Layout Note:
Place these resistor closely JDIM2, all trace length Max=1.3"



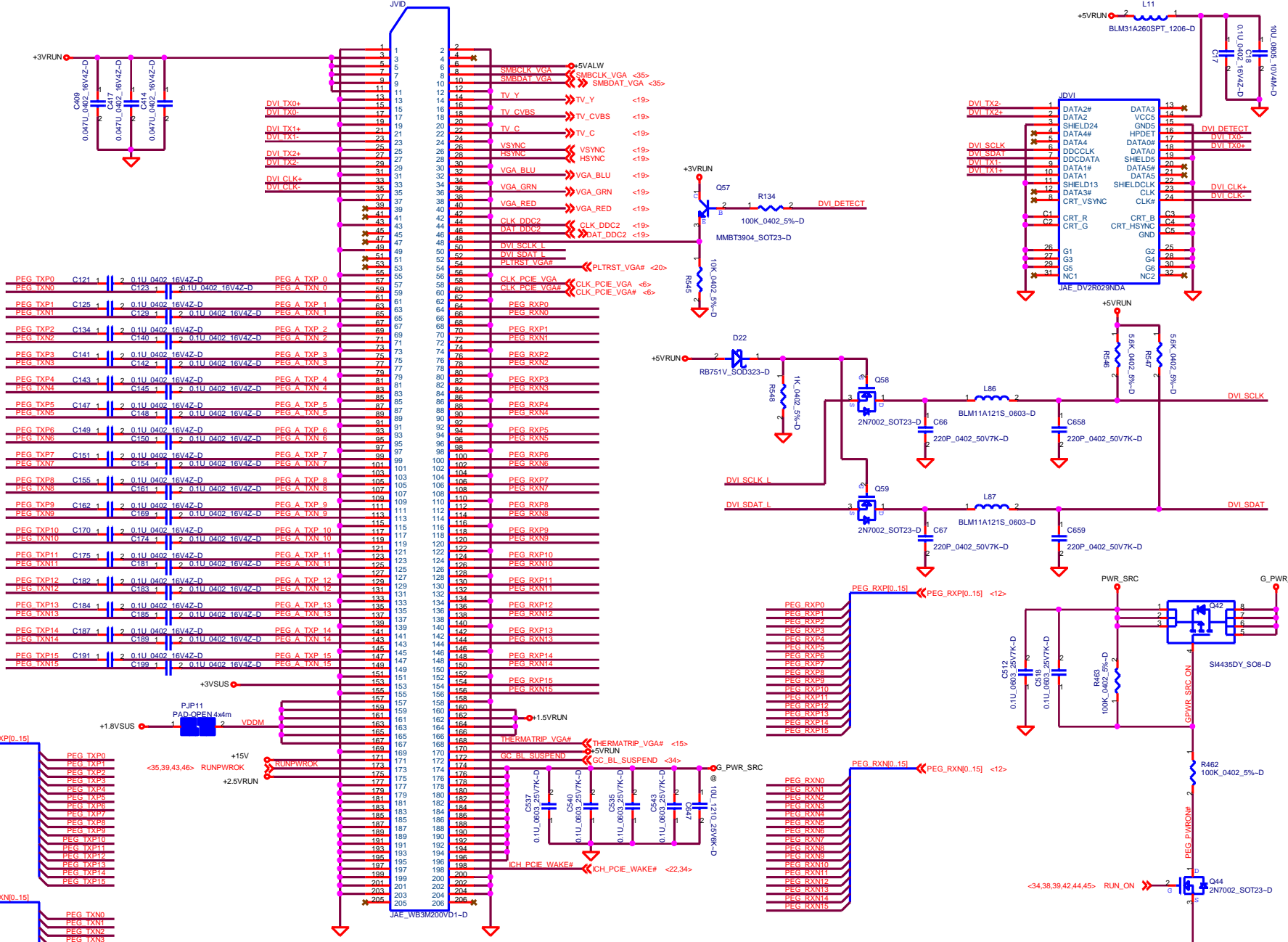
DIMMB REVERSE

DELL CONFIDENTIAL/PROPRIETARY



Compal Electronics, Inc.
DDRII-SODIMM SLOT2
 Document Number
LA-2171
 Rev 0.2
 Date: 12/2004 Sheet 17 of 50

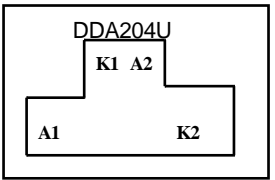
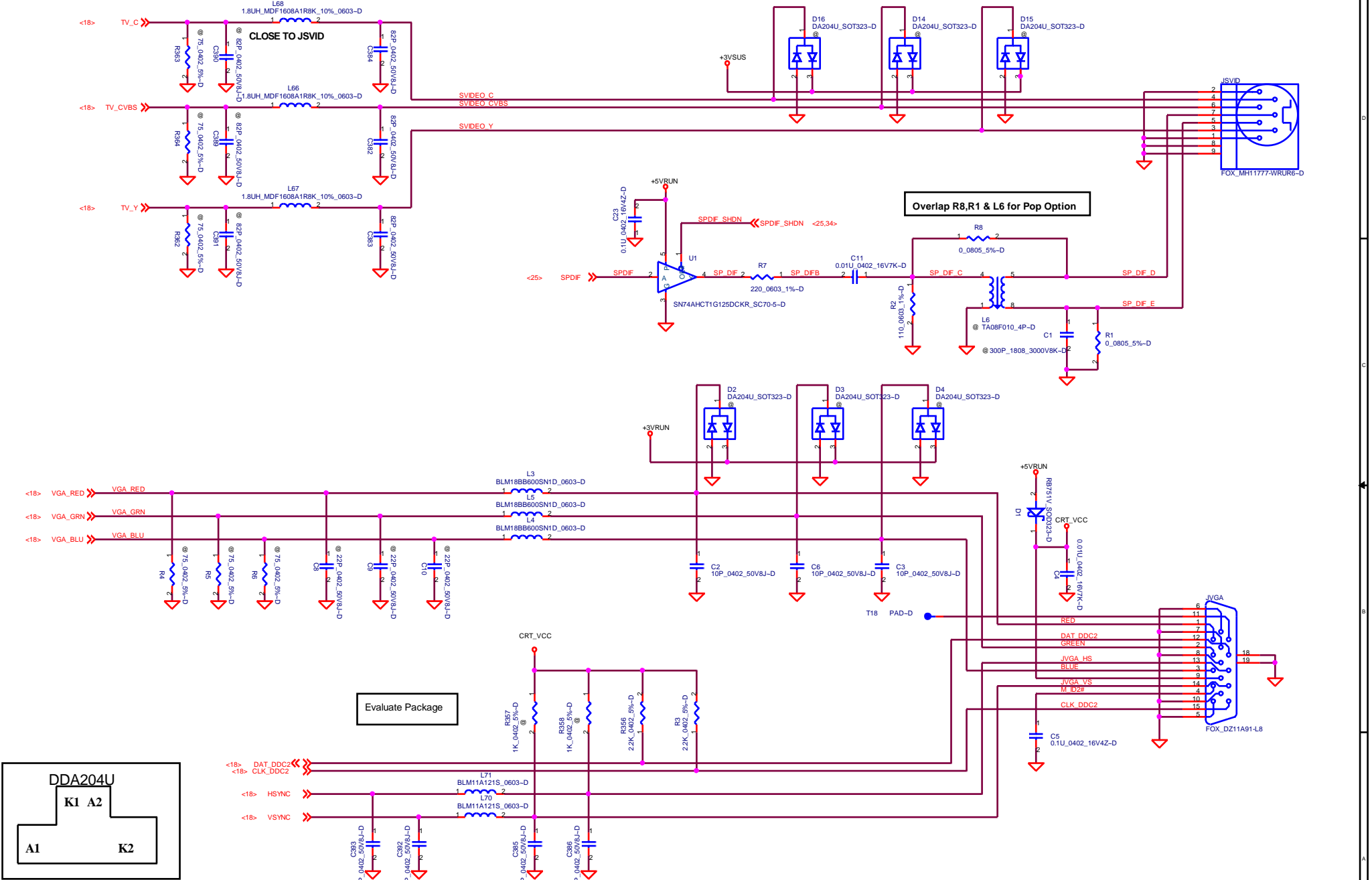
PROPRIETARY NOTE: THIS SHEET OF ENGINEERING DRAWING AND SPECIFICATIONS CONTAINS CONFIDENTIAL TRADE SECRET AND OTHER PROPRIETARY INFORMATION OF DELL, INC. ("DELL"). THIS DOCUMENT MAY NOT BE TRANSMITTED OR COPIED WITHOUT THE EXPRESS WRITTEN AUTHORIZATION OF DELL. IN ADDITION, NEITHER THIS SHEET NOR THE INFORMATION IT CONTAINS MAY BE USED BY OR DISCLOSED TO ANY THIRD PARTY WITHOUT DELL'S EXPRESS WRITTEN CONSENT.



PROPRIETARY NOTE: THIS SHEET OF ENGINEERING DRAWING AND SPECIFICATIONS CONTAINS CONFIDENTIAL TRADE SECRET AND OTHER PROPRIETARY INFORMATION OF DELL, INC. ("DELL"). THIS DOCUMENT MAY NOT BE TRANSFERRED OR COPIED WITHOUT THE EXPRESS WRITTEN AUTHORIZATION OF DELL, IN ADDITION, NEITHER THIS SHEET NOR THE INFORMATION IT CONTAINS MAY BE USED BY OR DISCLOSED TO ANY THIRD PARTY WITHOUT DELL'S EXPRESS WRITTEN CONSENT.



DELL CONFIDENTIAL/PROPRIETARY		
Compal Electronics, Inc.		
Title VGA and DVI connector		
Size LA-2171	Document Number LA-2171	Rev 0.2
Date 12, 2004	Sheet 18	of 50

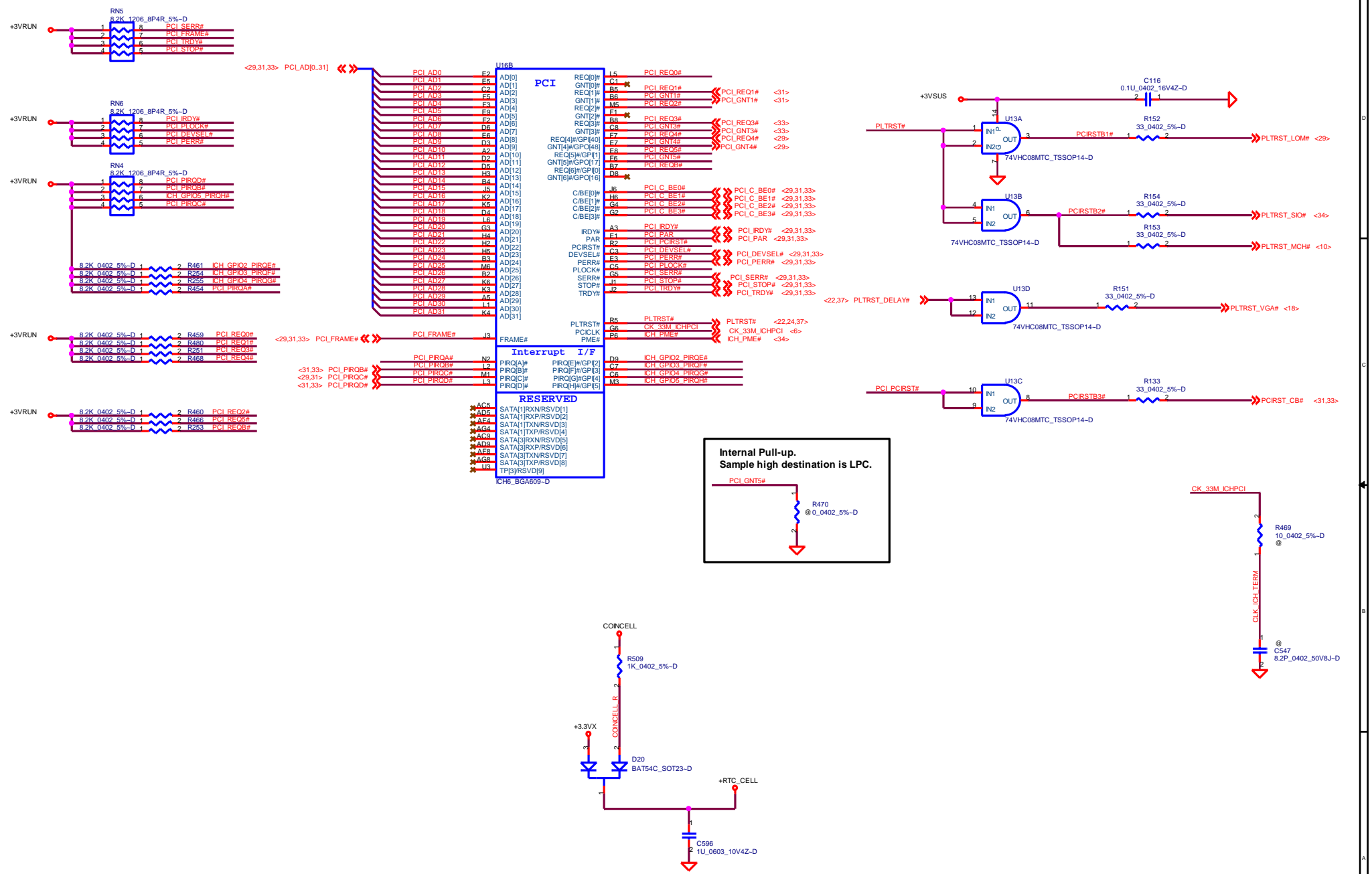


Evaluate Package

Overlap R8,R1 & L6 for Pop Option

PROPRIETARY NOTE: THIS SHEET OF ENGINEERING DRAWING AND SPECIFICATIONS CONTAINS CONFIDENTIAL TRADE SECRET AND OTHER PROPRIETARY INFORMATION OF DELL, INC. ("DELL"). THIS DOCUMENT MAY NOT BE TRANSMITTED OR COPIED WITHOUT THE EXPRESS WRITTEN AUTHORIZATION OF DELL. IN ADDITION, NEITHER THIS SHEET NOR THE INFORMATION IT CONTAINS MAY BE USED BY OR DISCLOSED TO ANY THIRD PARTY WITHOUT DELL'S EXPRESS WRITTEN CONSENT.

DELL CONFIDENTIAL/PROPRIETARY
Compal Electronics, Inc.
TV_OUT and CRT connector
 Size Document Number LA-2171 Rev 0.2
 Date 12, 2004 Sheet 19 of 50

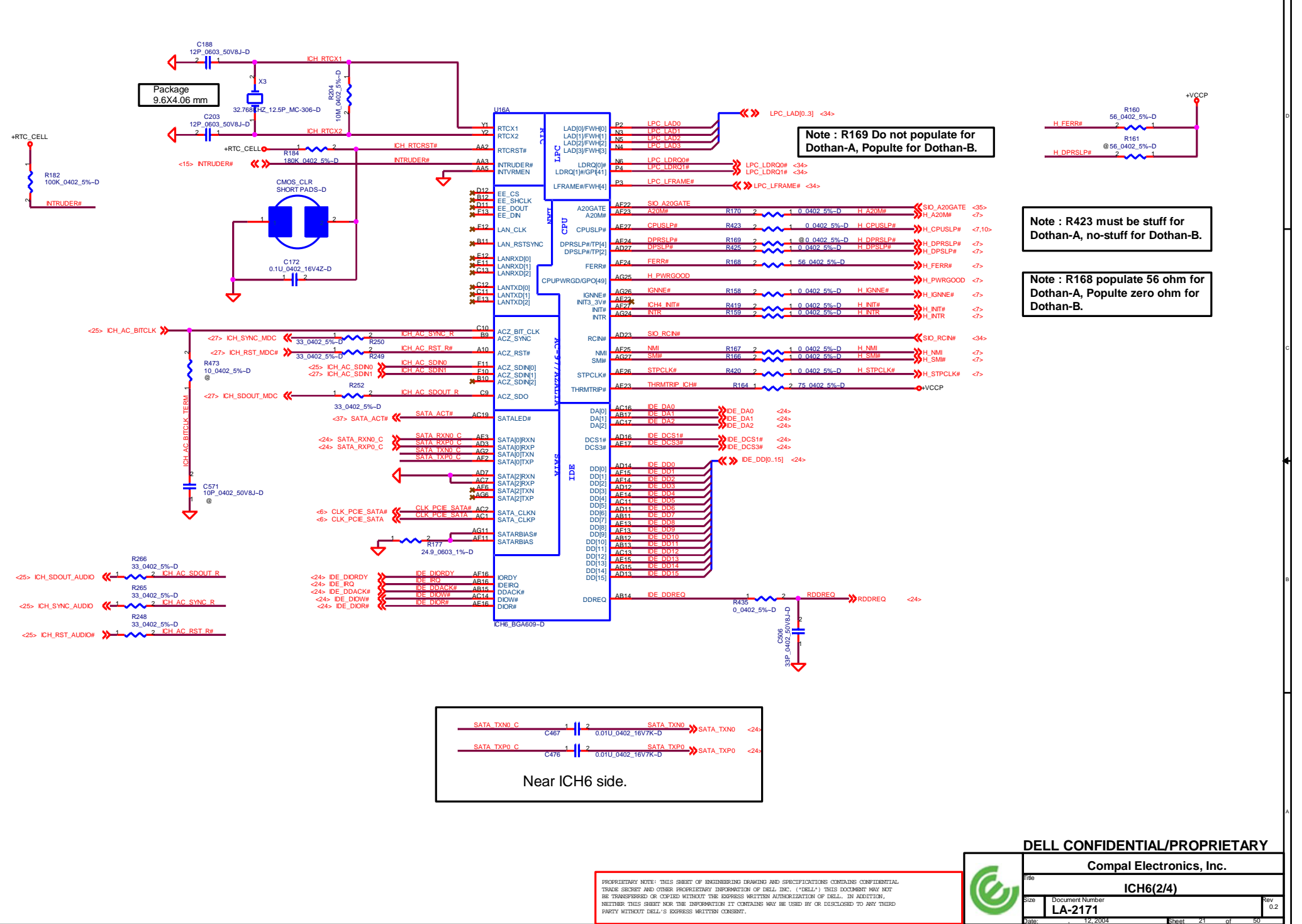


Internal Pull-up.
Sample high destination is LPC.

PROPRIETARY NOTE: THIS SHEET OF ENGINEERING DRAWING AND SPECIFICATIONS CONTAINS CONFIDENTIAL TRADE SECRET AND OTHER PROPRIETARY INFORMATION OF DELL, INC. ("DELL"). THIS DOCUMENT MAY NOT BE TRANSMITTED OR COPIED WITHOUT THE EXPRESS WRITTEN AUTHORIZATION OF DELL. IN ADDITION, NEITHER THIS SHEET NOR THE INFORMATION IT CONTAINS MAY BE USED BY OR DISCLOSED TO ANY THIRD PARTY WITHOUT DELL'S EXPRESS WRITTEN CONSENT.

DELL CONFIDENTIAL/PROPRIETARY
Compal Electronics, Inc.

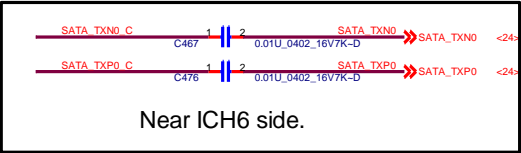
File	ICH6(1/4)	
Size	LA-2171	Rev 0.2
Date	12, 2004	Sheet 20 of 50



Note : R169 Do not populate for Dothan-A, Populate for Dothan-B.

Note : R423 must be stuff for Dothan-A, no-stuff for Dothan-B.

Note : R168 populate 56 ohm for Dothan-A, Populate zero ohm for Dothan-B.



Near ICH6 side.

DELL CONFIDENTIAL/PROPRIETARY

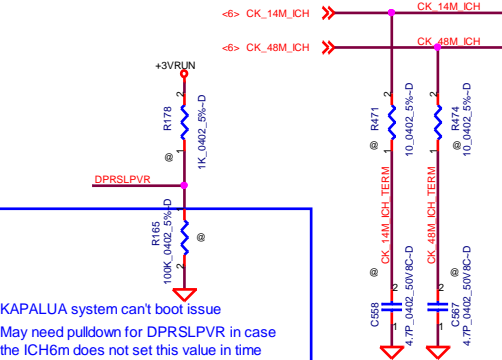
Compal Electronics, Inc.



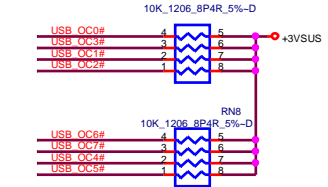
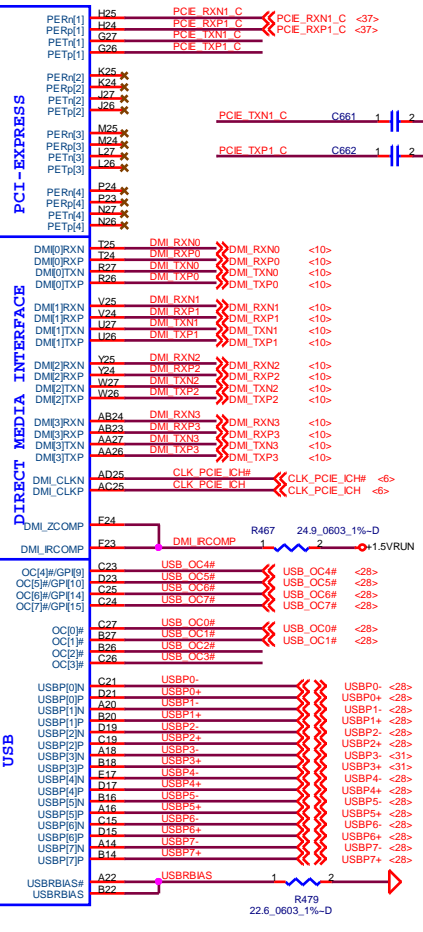
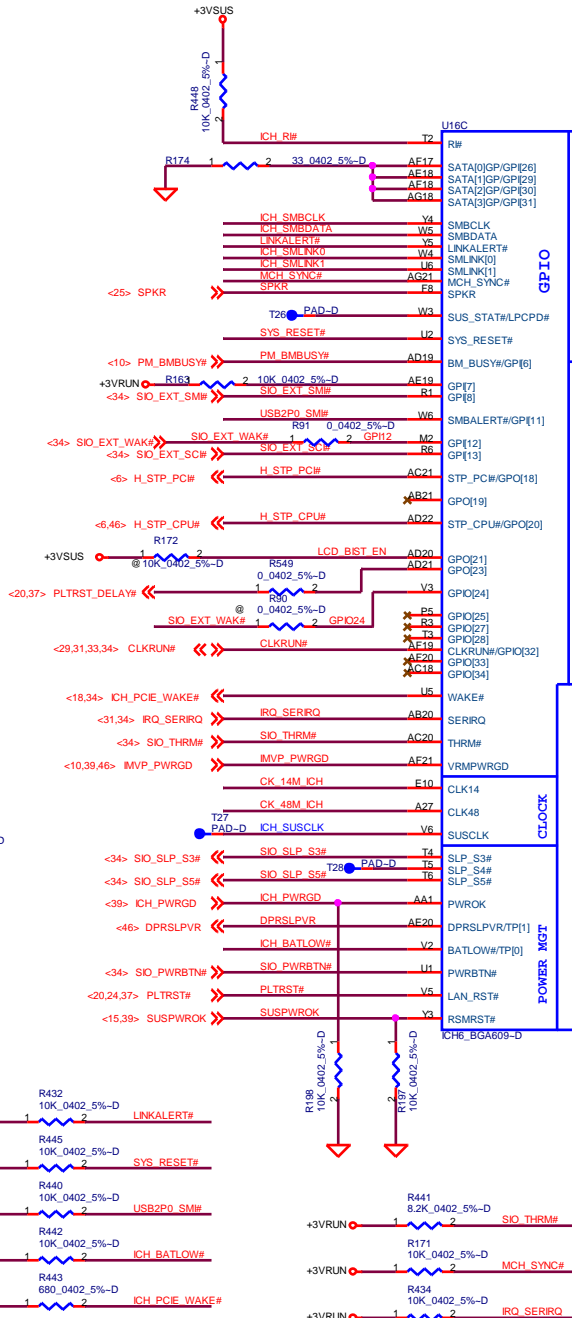
File		ICH6(2/4)	
Size	Document Number	Rev	
LA-2171		0.2	
Date	12/2004	Sheet	21 of 50

PROPRIETARY NOTE: THIS SHEET OF ENGINEERING DRAWING AND SPECIFICATIONS CONTAINS CONFIDENTIAL TRADE SECRET AND OTHER PROPRIETARY INFORMATION OF DELL, INC. ("DELL"). THIS DOCUMENT MAY NOT BE TRANSMITTED OR COPIED WITHOUT THE EXPRESS WRITTEN AUTHORIZATION OF DELL. IN ADDITION, NEITHER THIS SHEET NOR THE INFORMATION IT CONTAINS MAY BE USED BY OR DISCLOSED TO ANY THIRD PARTY WITHOUT DELL'S EXPRESS WRITTEN CONSENT.

ICH_SMBDATA
ICH_SMBCLK
ICH_SMLNK0
ICH_SMLNK1



KAPALUA system can't boot issue
May need pulldown for DPRSLPVR in case the ICH6m does not set this value in time for boot.



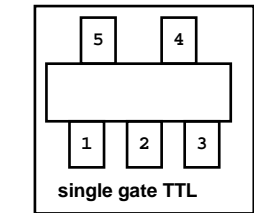
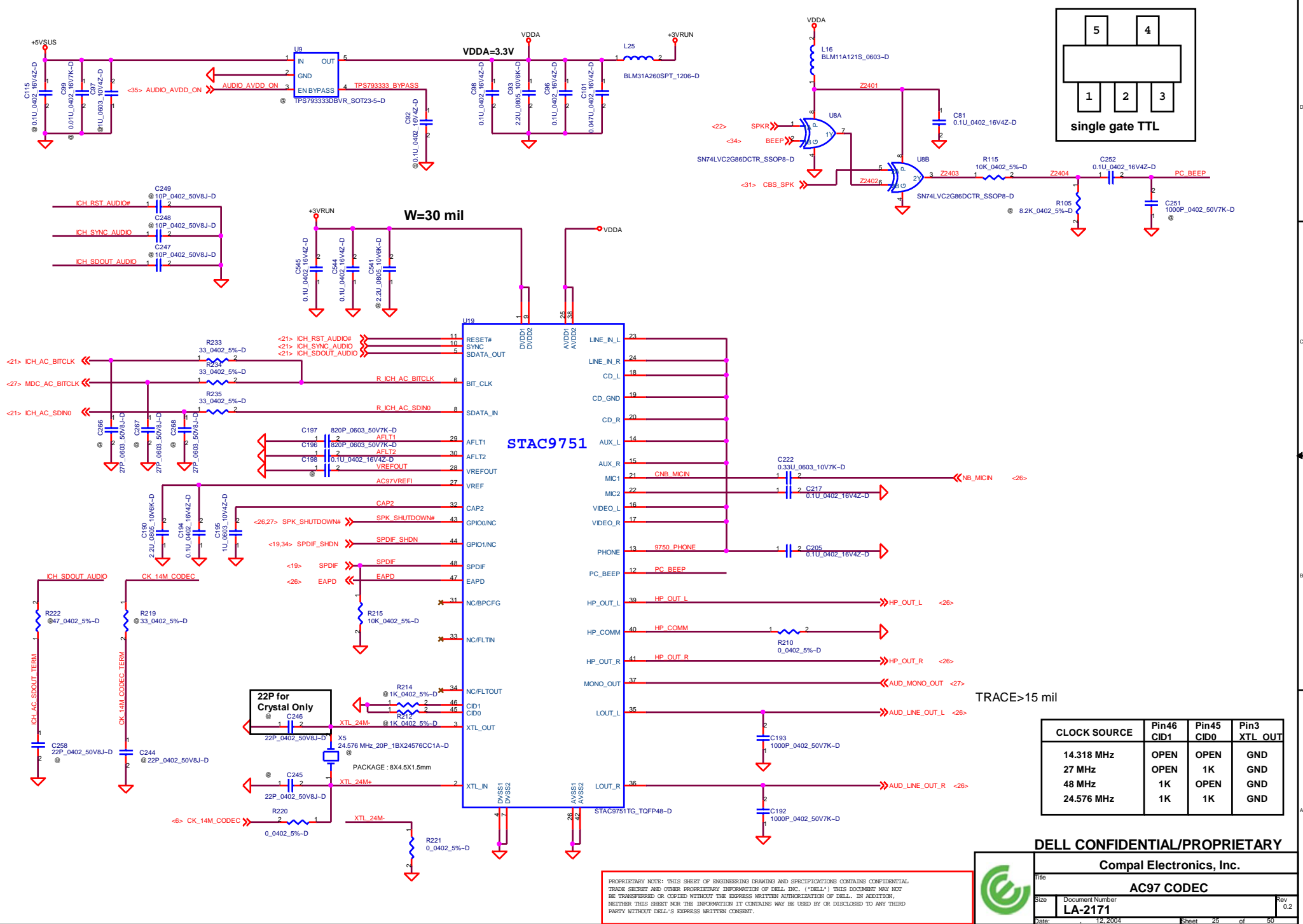
PROPRIETARY NOTE: THIS SHEET OF ENGINEERING DRAWING AND SPECIFICATIONS CONTAINS CONFIDENTIAL TRADE SECRET AND OTHER PROPRIETARY INFORMATION OF DELL, INC. ("DELL"). THIS DOCUMENT MAY NOT BE TRANSMITTED OR COPIED WITHOUT THE EXPRESS WRITTEN AUTHORIZATION OF DELL, IN ADDITION, NEITHER THIS SHEET NOR THE INFORMATION IT CONTAINS MAY BE USED BY OR DISCLOSED TO ANY THIRD PARTY WITHOUT DELL'S EXPRESS WRITTEN CONSENT.

DELL CONFIDENTIAL/PROPRIETARY

Compal Electronics, Inc.



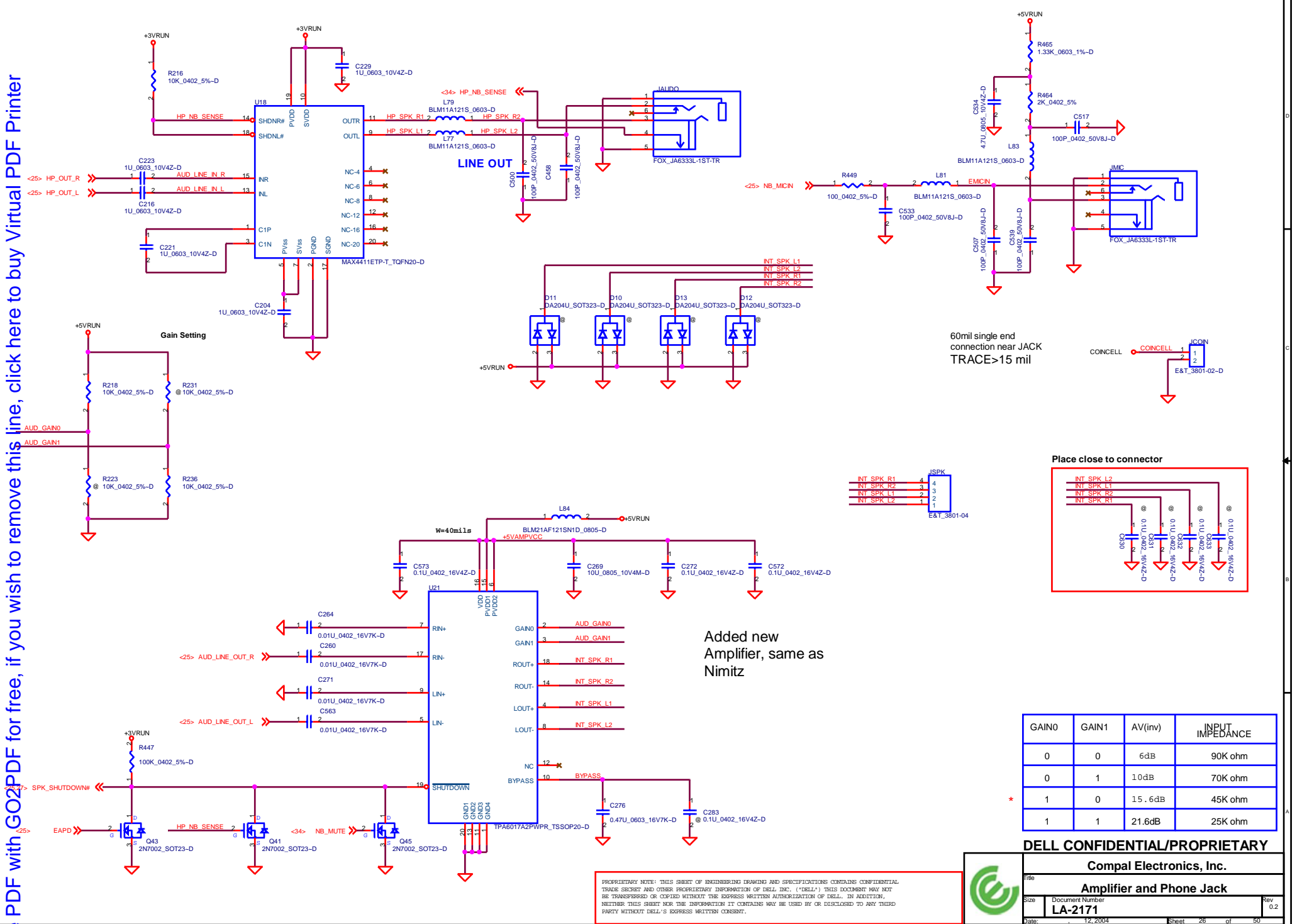
Title ICH6(3/4)		Rev 0.2
Size LA-2171	Document Number	Sheet 22 of 50
Date 12, 2004		



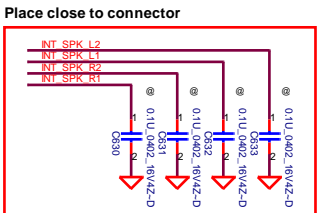
CLOCK SOURCE	Pin46 CID1	Pin45 CID0	Pin3 XTL_OUT
14.318 MHz	OPEN	OPEN	GND
27 MHz	OPEN	1K	GND
48 MHz	1K	OPEN	GND
24.576 MHz	1K	1K	GND

DELL CONFIDENTIAL/PROPRIETARY
Compal Electronics, Inc.
AC97 CODEC
 Size: Document Number
LA-2171
 Rev: 0.2
 Date: 12, 2004 Sheet: 25 of 50

PROPRIETARY NOTE: THIS SHEET OF ENGINEERING DRAWING AND SPECIFICATIONS CONTAINS CONFIDENTIAL TRADE SECRET AND OTHER PROPRIETARY INFORMATION OF DELL, INC. ("DELL"). THIS DOCUMENT MAY NOT BE TRANSMITTED OR COPIED WITHOUT THE EXPRESS WRITTEN AUTHORIZATION OF DELL, IN ADDITION, NEITHER THIS SHEET NOR THE INFORMATION IT CONTAINS MAY BE USED BY OR DISCLOSED TO ANY THIRD PARTY WITHOUT DELL'S EXPRESS WRITTEN CONSENT.



60mil single end connection near JACK TRACE > 15 mil



GAIN0	GAIN1	AV(inv)	INPUT IMPEDANCE
0	0	6dB	90K ohm
0	1	10dB	70K ohm
1	0	15.6dB	45K ohm
1	1	21.6dB	25K ohm

DELL CONFIDENTIAL/PROPRIETARY

Compal Electronics, Inc.

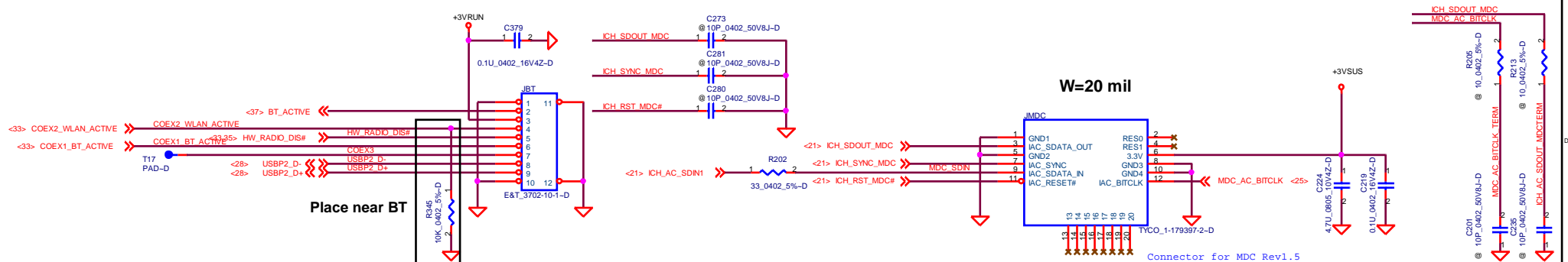
Amplifier and Phone Jack

Document Number: **LA-2171**

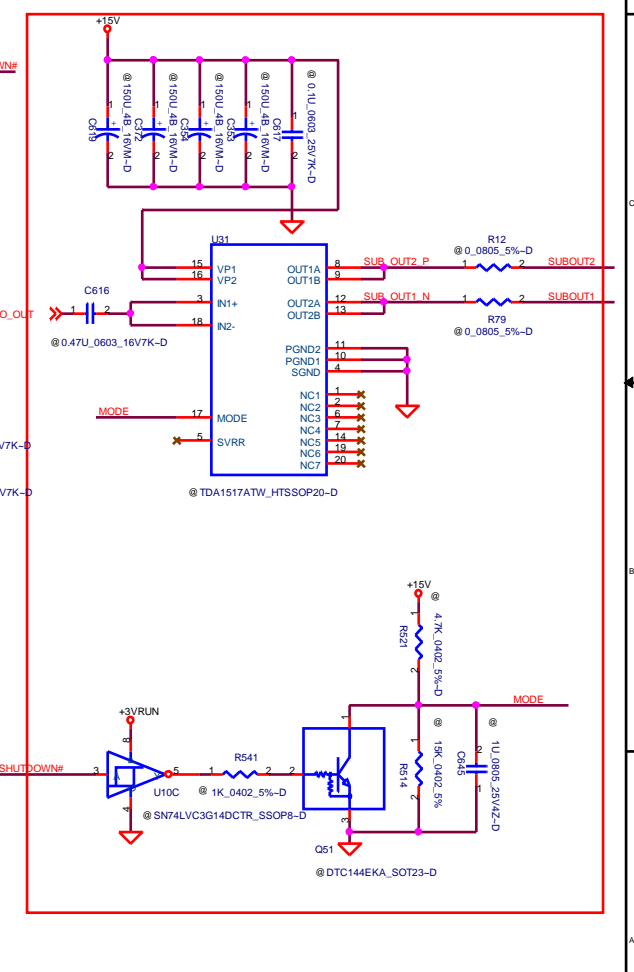
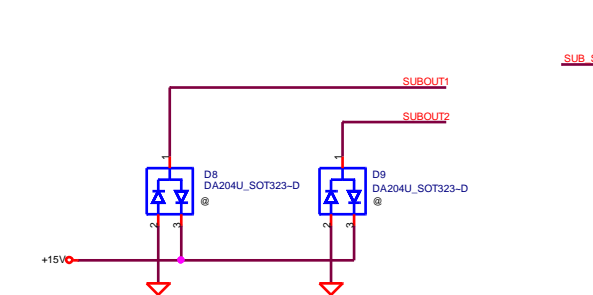
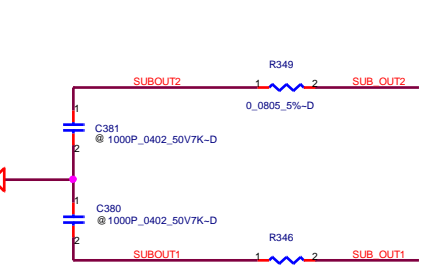
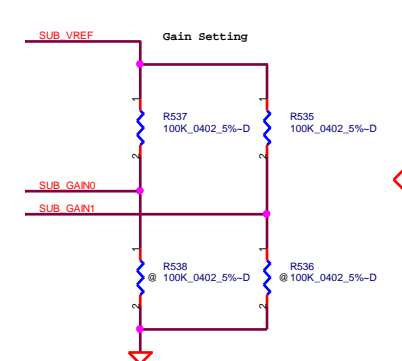
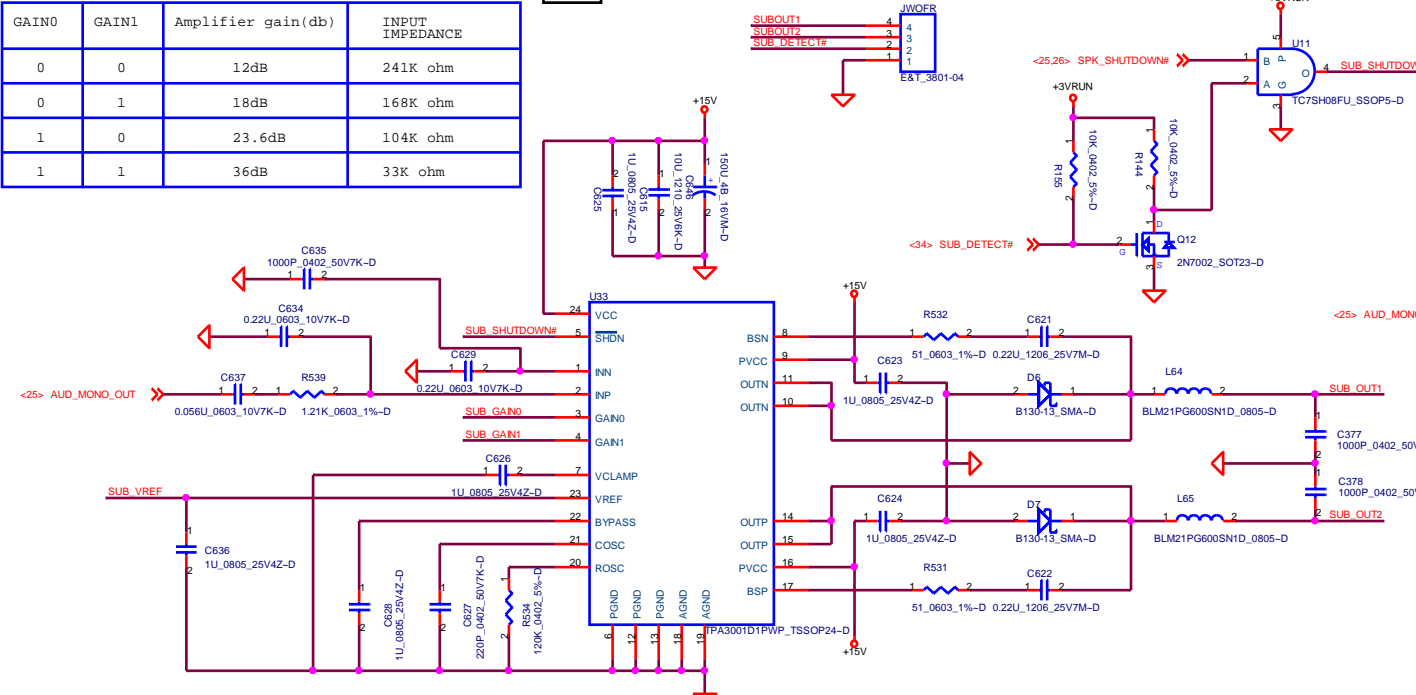
Rev: 0.2

Date: 12, 2004 Sheet 26 of 50

PROPRIETARY NOTE: THIS SHEET OF ENGINEERING DRAWING AND SPECIFICATIONS CONTAINS CONFIDENTIAL TRADE SECRET AND OTHER PROPRIETARY INFORMATION OF DELL, INC. ("DELL") THIS DOCUMENT MAY NOT BE TRANSMITTED OR COPIED WITHOUT THE EXPRESS WRITTEN AUTHORIZATION OF DELL. IN ADDITION, NEITHER THIS SHEET NOR THE INFORMATION IT CONTAINS MAY BE USED BY OR DISCLOSED TO ANY THIRD PARTY WITHOUT DELL'S EXPRESS WRITTEN CONSENT.

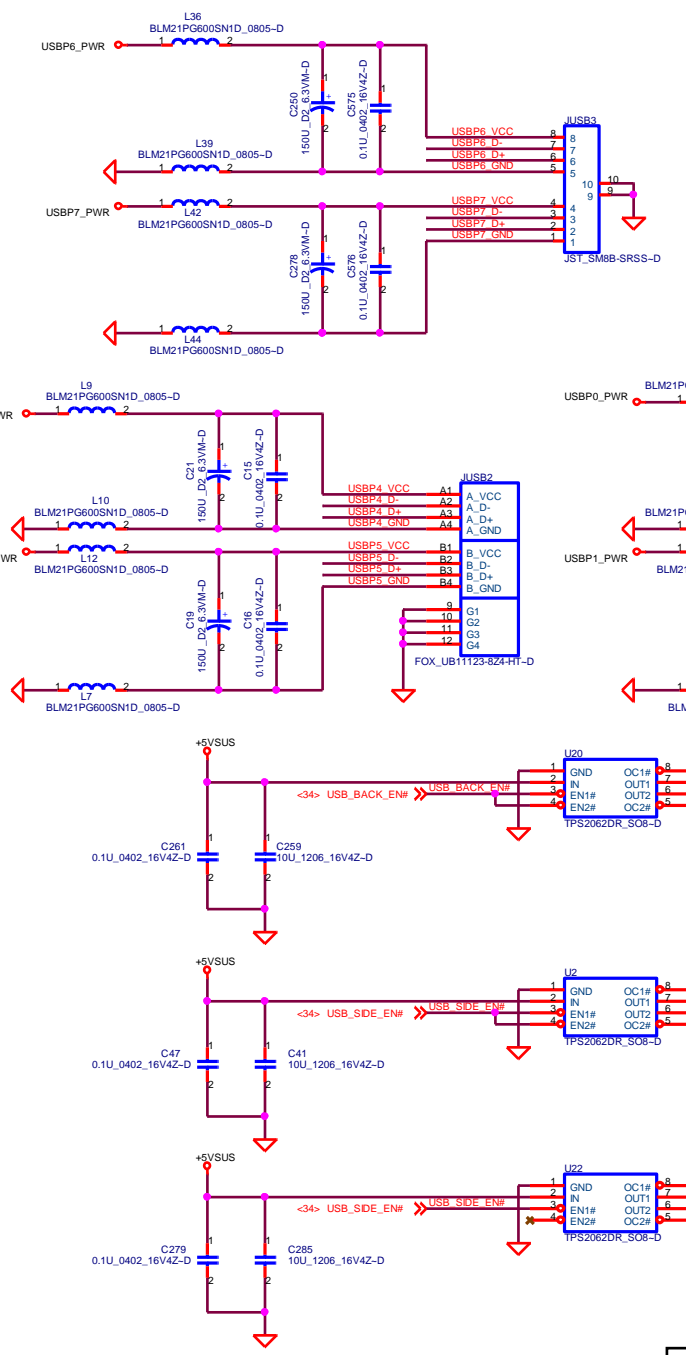
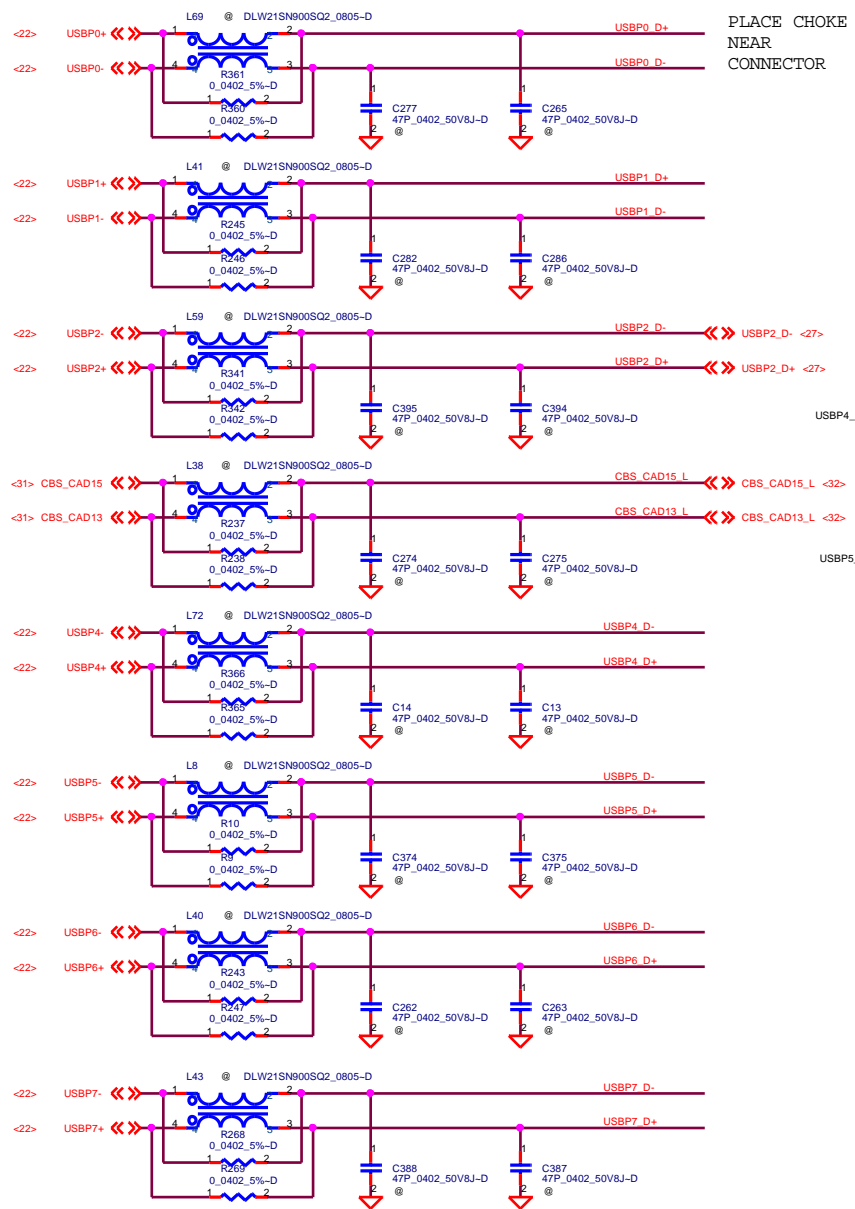


GAIN0	GAIN1	Amplifier gain(db)	INPUT IMPEDANCE
0	0	12dB	241K ohm
0	1	18dB	168K ohm
1	0	23.6dB	104K ohm
1	1	36dB	33K ohm



PROPRIETARY NOTE: THIS SHEET OF ENGINEERING DRAWING AND SPECIFICATIONS CONTAINS CONFIDENTIAL TRADE SECRET AND OTHER PROPRIETARY INFORMATION OF DELL, INC. ("DELL") THIS DOCUMENT MAY NOT BE TRANSMITTED OR COPIED WITHOUT THE EXPRESS WRITTEN AUTHORIZATION OF DELL, IN ADDITION, NEITHER THIS SHEET NOR THE INFORMATION IT CONTAINS MAY BE USED BY OR DISCLOSED TO ANY THIRD PARTY WITHOUT DELL'S EXPRESS WRITTEN CONSENT.

DELL CONFIDENTIAL/PROPRIETARY
Compal Electronics, Inc.
SUBWOOFER,BT PORT and MDC
 LA-2171
 Document Number
 Rev 0.2
 Date: 12/2004 Sheet 27 of 50



USB PORT#	DESTINATION
0	JUSB1 (Top)
1	JUSB1 (Bottom)
2	BlueTooth
3	NEW CARD
4	JUSB2 (Top)
5	JUSB2 (Bottom)
6	JUSB3 (Top)
7	JUSB3 (Bottom)

PROPRIETARY NOTE: THIS SHEET OF ENGINEERING DRAWING AND SPECIFICATIONS CONTAINS CONFIDENTIAL TRADE SECRET AND OTHER PROPRIETARY INFORMATION OF DELL, INC. ("DELL"). THIS DOCUMENT MAY NOT BE TRANSMITTED OR COPIED WITHOUT THE EXPRESS WRITTEN AUTHORIZATION OF DELL. IN ADDITION, NEITHER THIS SHEET NOR THE INFORMATION IT CONTAINS MAY BE USED BY OR DISCLOSED TO ANY THIRD PARTY WITHOUT DELL'S EXPRESS WRITTEN CONSENT.

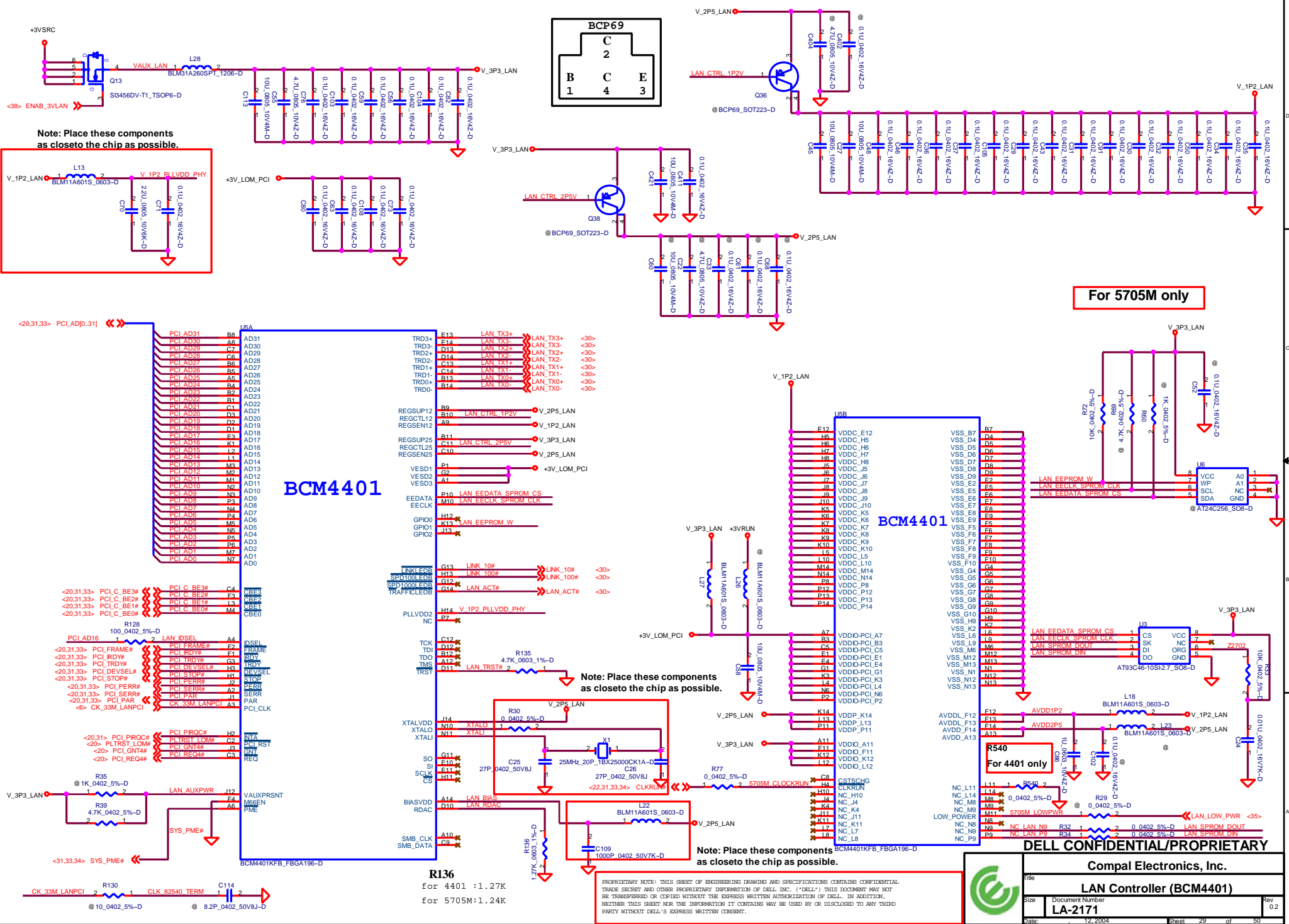
DELL CONFIDENTIAL/PROPRIETARY

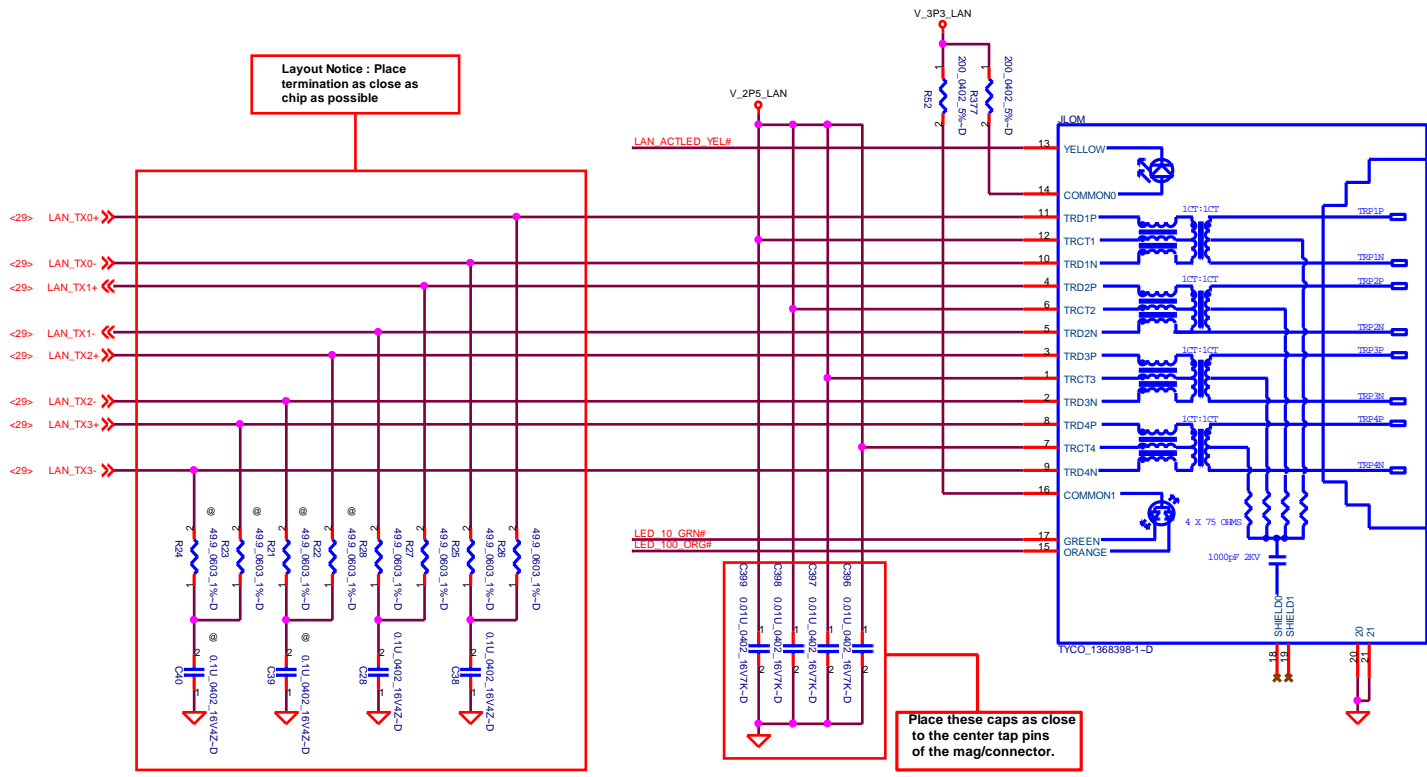
Compal Electronics, Inc.

USB 2.0 PORT

Size: Document Number: **LA-2171** Rev: 0.2

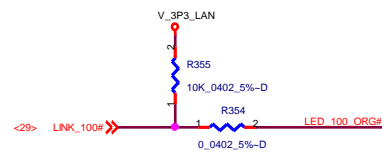
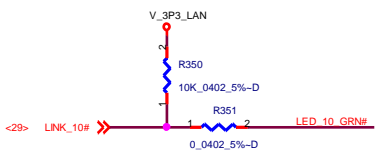
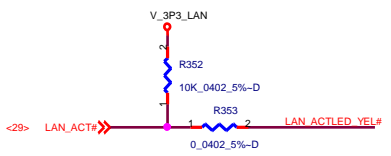
Date: 12, 2004 Sheet: 28 of 50





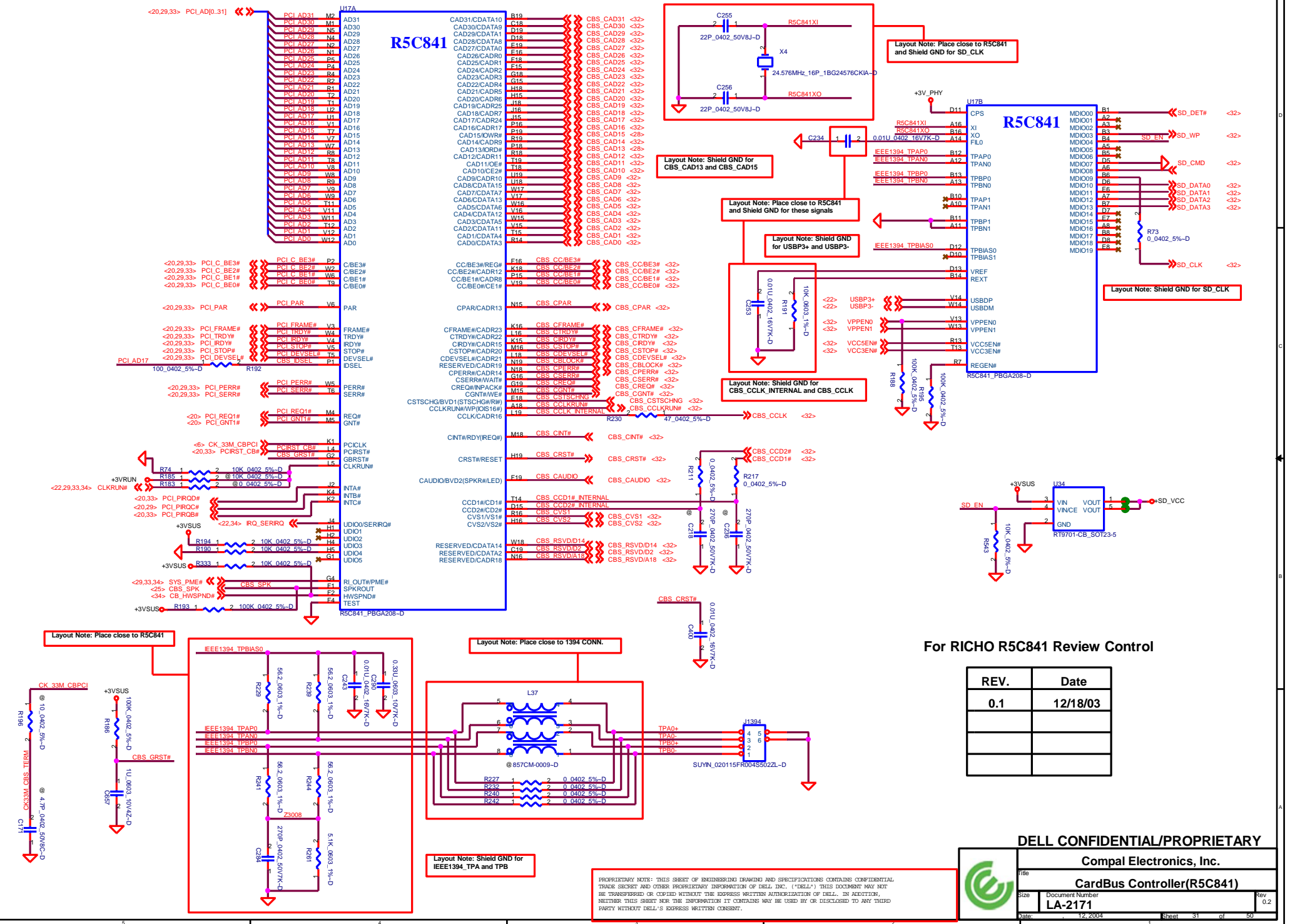
Layout Notice : Place termination as close as possible as chip as possible

Place these caps as close to the center tap pins of the mag/connecter.



PROPRIETARY NOTE: THIS SHEET OF ENGINEERING DRAWING AND SPECIFICATIONS CONTAINS CONFIDENTIAL TRADE SECRET AND OTHER PROPRIETARY INFORMATION OF DELL INC. ("DELL") THIS DOCUMENT MAY NOT BE TRANSMITTED OR COPIED WITHOUT THE EXPRESS WRITTEN AUTHORIZATION OF DELL. IN ADDITION, NEITHER THIS SHEET NOR THE INFORMATION IT CONTAINS MAY BE USED BY OR DISCLOSED TO ANY THIRD PARTY WITHOUT DELL'S EXPRESS WRITTEN CONSENT.

DELL CONFIDENTIAL/PROPRIETARY
Compal Electronics, Inc.
LAN Transfomer and RJ45
 Document Number: **LA-2171**
 Date: 12, 2004 Sheet: 30 of 50
 Rev: 0.2



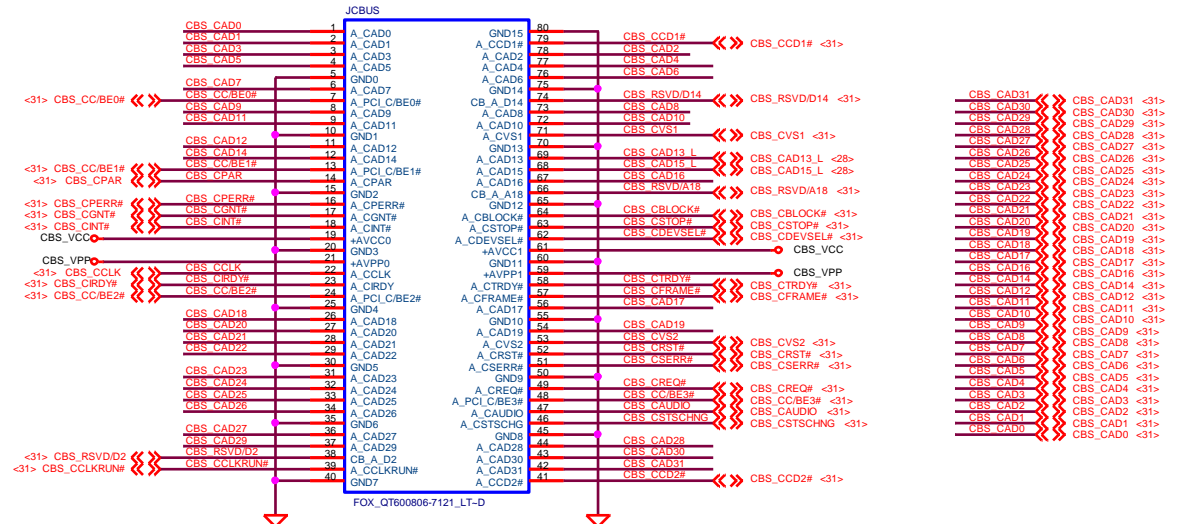
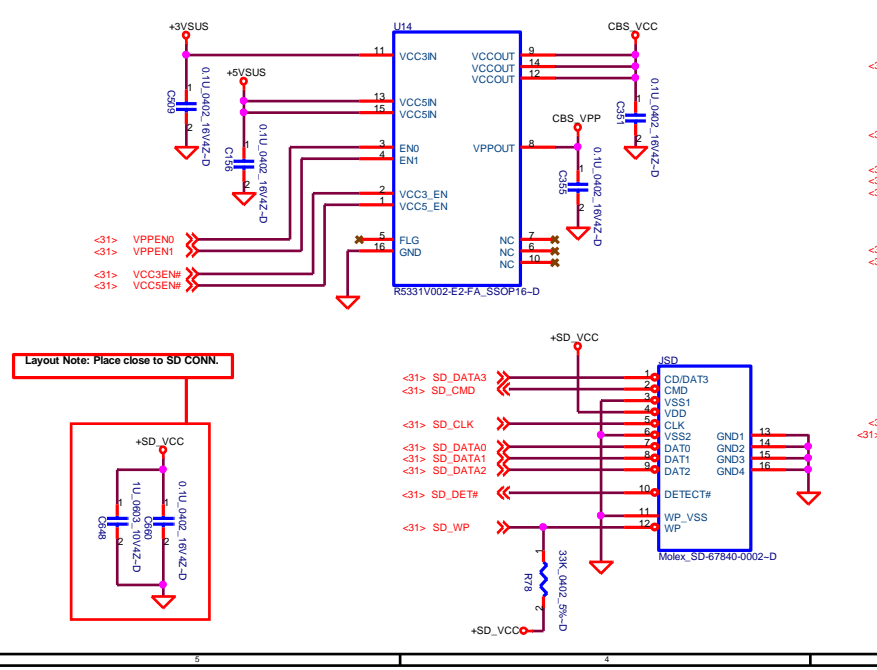
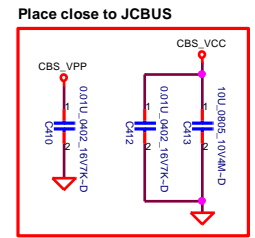
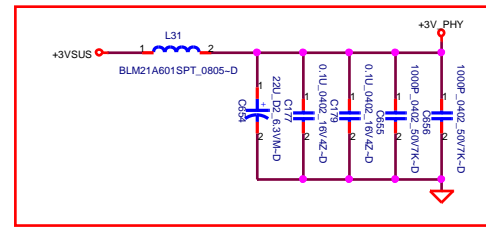
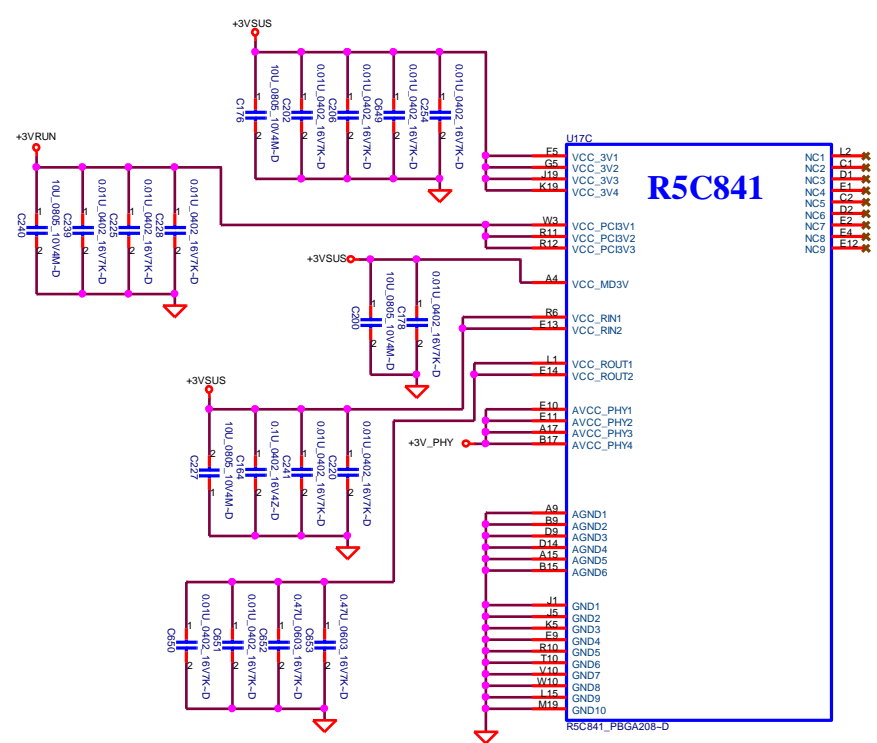
For RICH0 R5C841 Review Control

REV.	Date
0.1	12/18/03

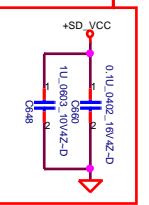
DELL CONFIDENTIAL/PROPRIETARY

Compal Electronics, Inc.
CardBus Controller(R5C841)
 Size Document Number
LA-2171
 Rev 0.2
 Date: 12/2004 Sheet 31 of 50

PROPRIETARY NOTE: THIS SHEET OF ENGINEERING DRAWING AND SPECIFICATIONS CONTAINS CONFIDENTIAL TRADE SECRET AND OTHER PROPRIETARY INFORMATION OF DELL INC. ("DELL"). THIS DOCUMENT MAY NOT BE TRANSMITTED OR COPIED WITHOUT THE EXPRESS WRITTEN AUTHORIZATION OF DELL. IN ADDITION, NEITHER THIS SHEET NOR THE INFORMATION IT CONTAINS MAY BE USED BY OR DISCLOSED TO ANY THIRD PARTY WITHOUT DELL'S EXPRESS WRITTEN CONSENT.

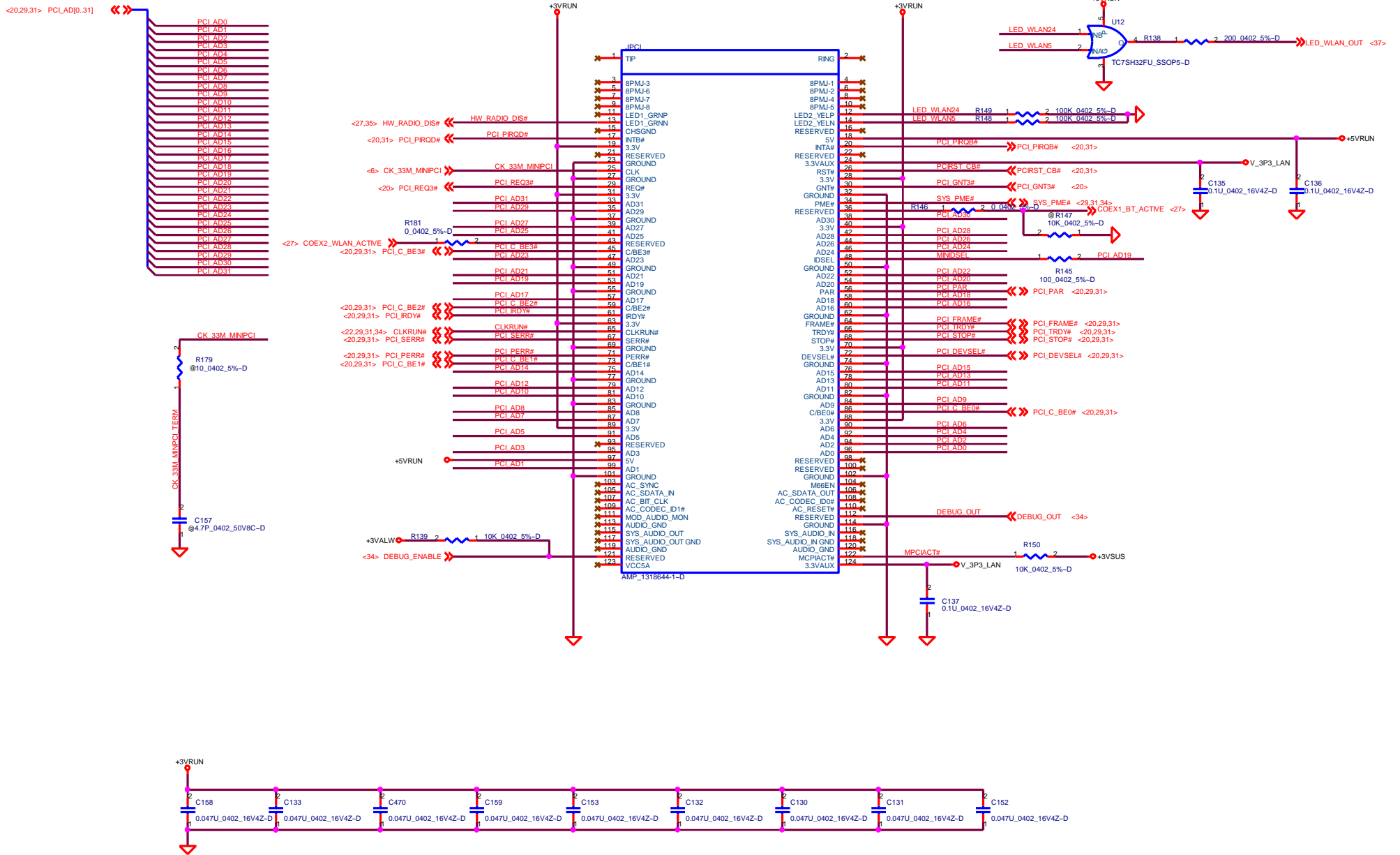


Layout Note: Place close to SD CONN.



PROPRIETARY NOTE: THIS SHEET OF ENGINEERING DRAWING AND SPECIFICATIONS CONTAINS CONFIDENTIAL TRADE SECRET AND OTHER PROPRIETARY INFORMATION OF DELL, INC. ("DELL"). THIS DOCUMENT MAY NOT BE TRANSMITTED OR COPIED WITHOUT THE EXPRESS WRITTEN AUTHORIZATION OF DELL, IN ADDITION, NEITHER THIS SHEET NOR THE INFORMATION IT CONTAINS MAY BE USED BY OR DELEGATED TO ANY THIRD PARTY WITHOUT DELL'S EXPRESS WRITTEN CONSENT.

DELL CONFIDENTIAL/PROPRIETARY
Compal Electronics, Inc.
CardBus/SD card Socket
 Size: LA-2171
 Date: 12, 2004
 Sheet: 32 of 50
 Rev: 0.2



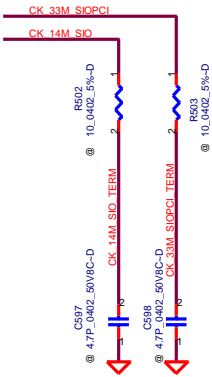
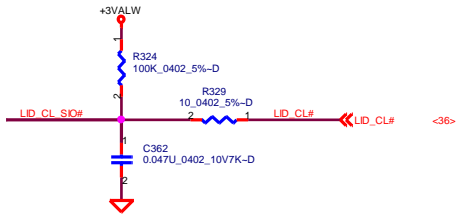
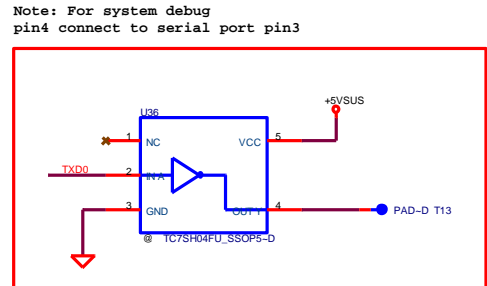
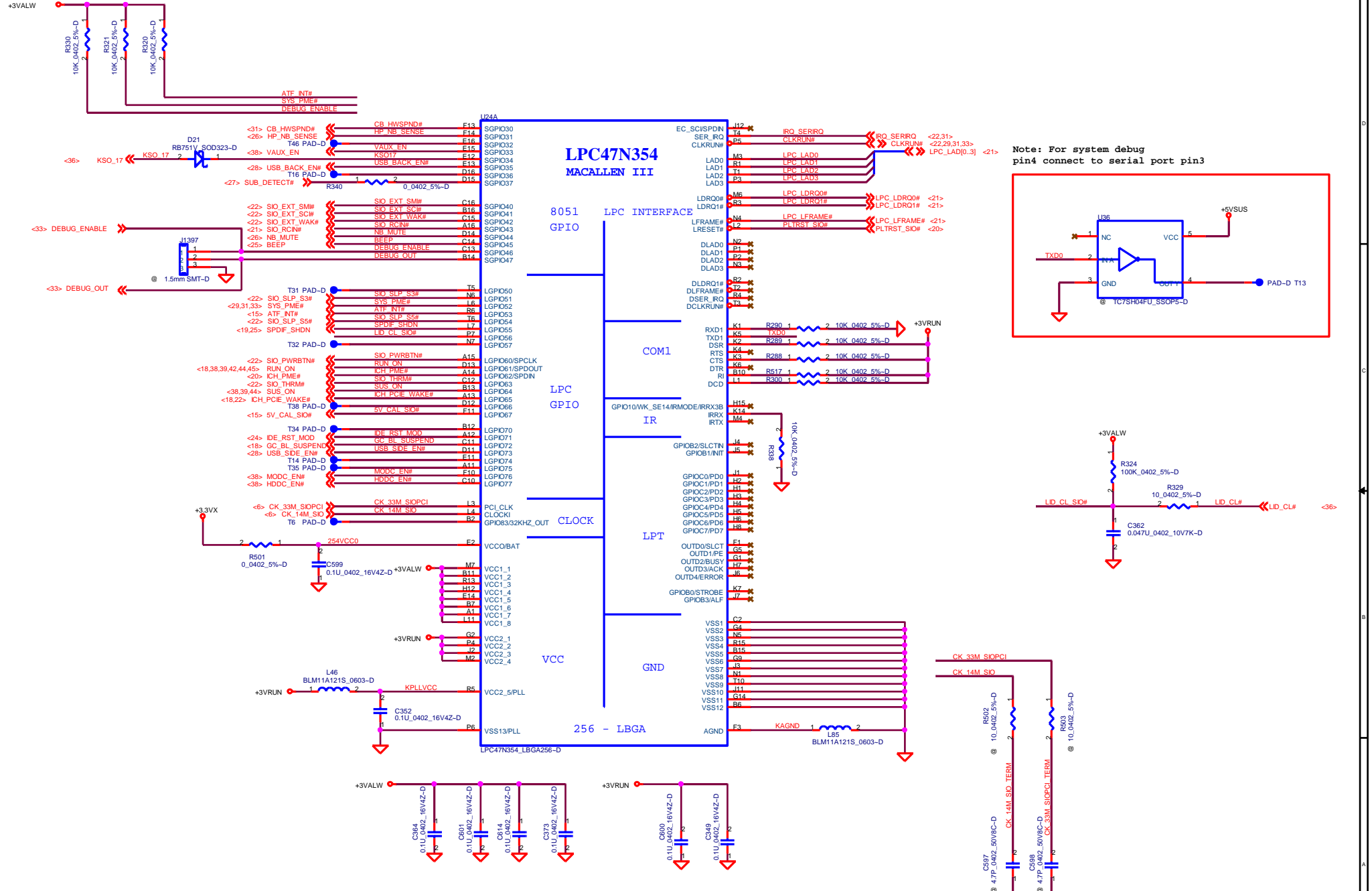
DELL CONFIDENTIAL/PROPRIETARY

Compal Electronics, Inc.



File	MINIPC1		
Size	Document Number	LA-2171	Rev 0.2
Date	12/2004	Sheet	93 of 90

PROPRIETARY NOTE: THIS SHEET OF ENGINEERING DRAWING AND SPECIFICATIONS CONTAINS CONFIDENTIAL TRADE SECRET AND OTHER PROPRIETARY INFORMATION OF DELL, INC. ("DELL"). THIS DOCUMENT MAY NOT BE TRANSMITTED OR COPIED WITHOUT THE EXPRESS WRITTEN AUTHORIZATION OF DELL. IN ADDITION, NEITHER THIS SHEET NOR THE INFORMATION IT CONTAINS MAY BE USED BY OR DISCLOSED TO ANY THIRD PARTY WITHOUT DELL'S EXPRESS WRITTEN CONSENT.



DELL CONFIDENTIAL/PROPRIETARY

Compal Electronics, Inc.

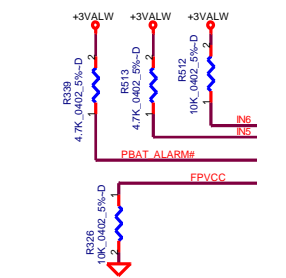
SIO LPC47N354(1/2)

LA-2171

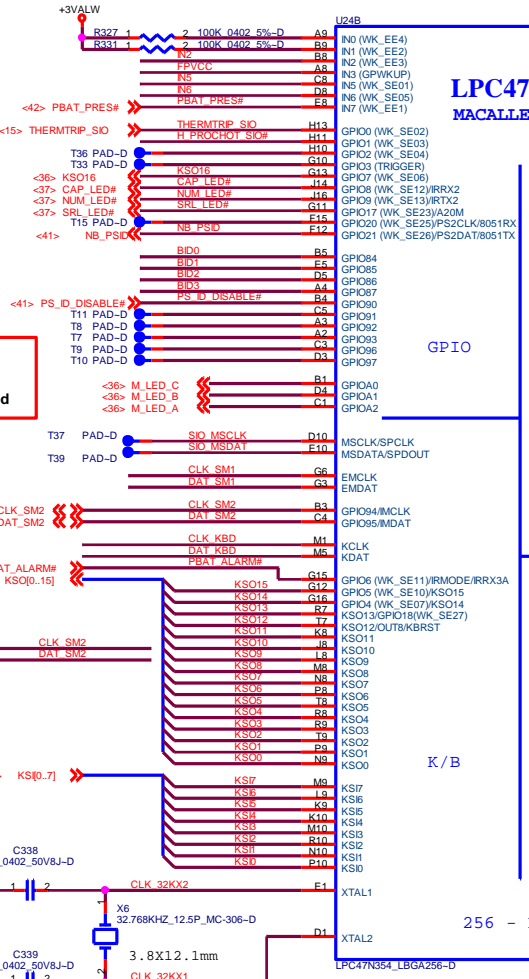
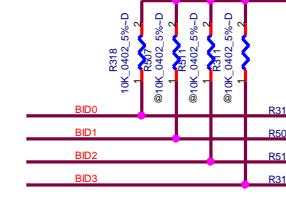
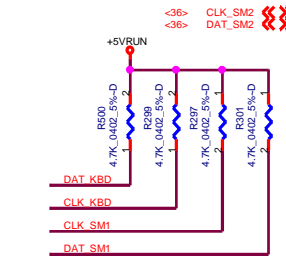
Rev 0.2

Sheet 34 of 50

PROPRIETARY NOTE: THIS SHEET OF ENGINEERING DRAWING AND SPECIFICATIONS CONTAINS CONFIDENTIAL TRADE SECRET AND OTHER PROPRIETARY INFORMATION OF DELL, INC. ("DELL"). THIS DOCUMENT MAY NOT BE TRANSMITTED OR COPIED WITHOUT THE EXPRESS WRITTEN AUTHORIZATION OF DELL. IN ADDITION, NEITHER THIS SHEET NOR THE INFORMATION IT CONTAINS MAY BE USED BY OR DELEGATED TO ANY THIRD PARTY WITHOUT DELL'S EXPRESS WRITTEN CONSENT.



Note: SMSC errata
LPC47N354 A Rev Anomaly -
Touch Pad IMCLK and IMDAT signals are inverted



BID3	BID2	BID1	BID0	REV
0	0	0	0	X00
0	0	0	1	X01

LPC47N354
MACALLEN III

GPIO

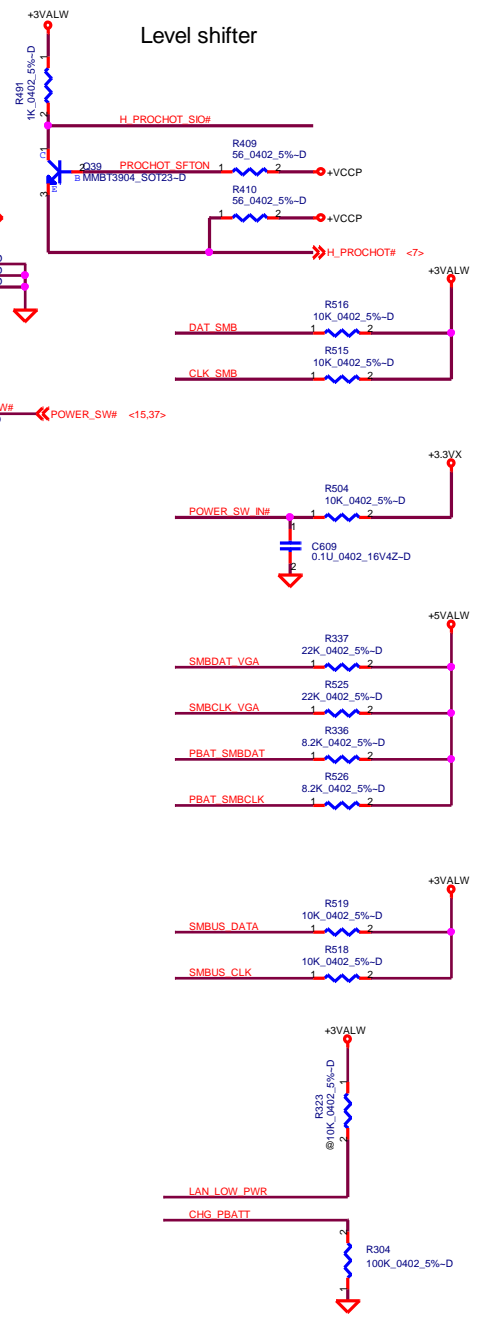
MISC

K/B

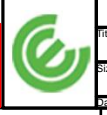
FLASH

256 - LBGA

Level shifter

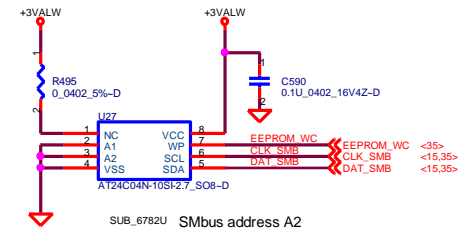
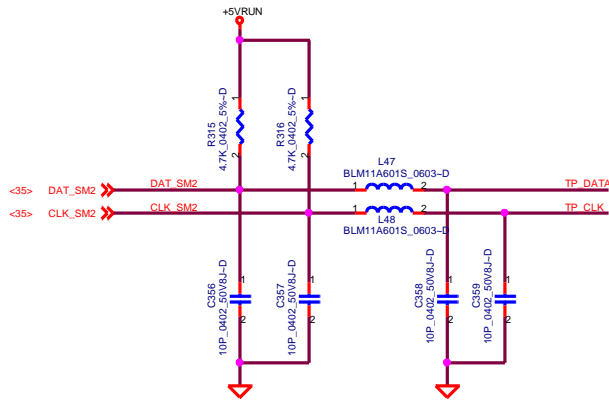


PROPRIETARY NOTE: THIS SHEET OF ENGINEERING DRAWING AND SPECIFICATIONS CONTAINS CONFIDENTIAL TRADE SECRET AND OTHER PROPRIETARY INFORMATION OF DELL, INC. ("DELL"). THIS DOCUMENT MAY NOT BE TRANSFERRED OR REPRODUCED WITHOUT THE EXPRESS WRITTEN AUTHORIZATION OF DELL. IN ADDITION, NEITHER THIS SHEET NOR THE INFORMATION IT CONTAINS MAY BE USED BY OR DISCLOSED TO ANY THIRD PARTY WITHOUT DELL'S EXPRESS WRITTEN CONSENT.

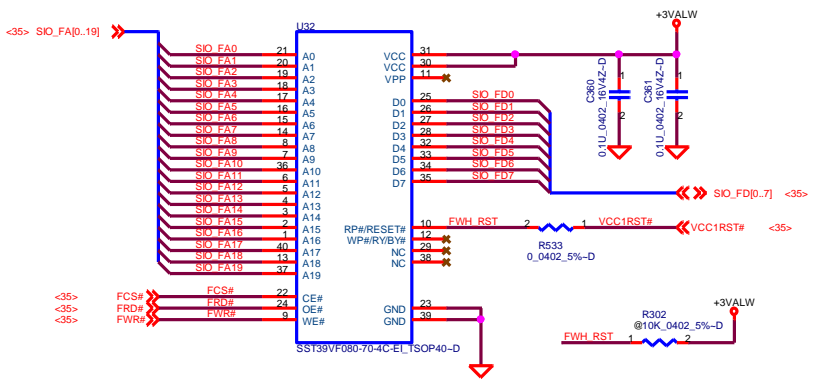
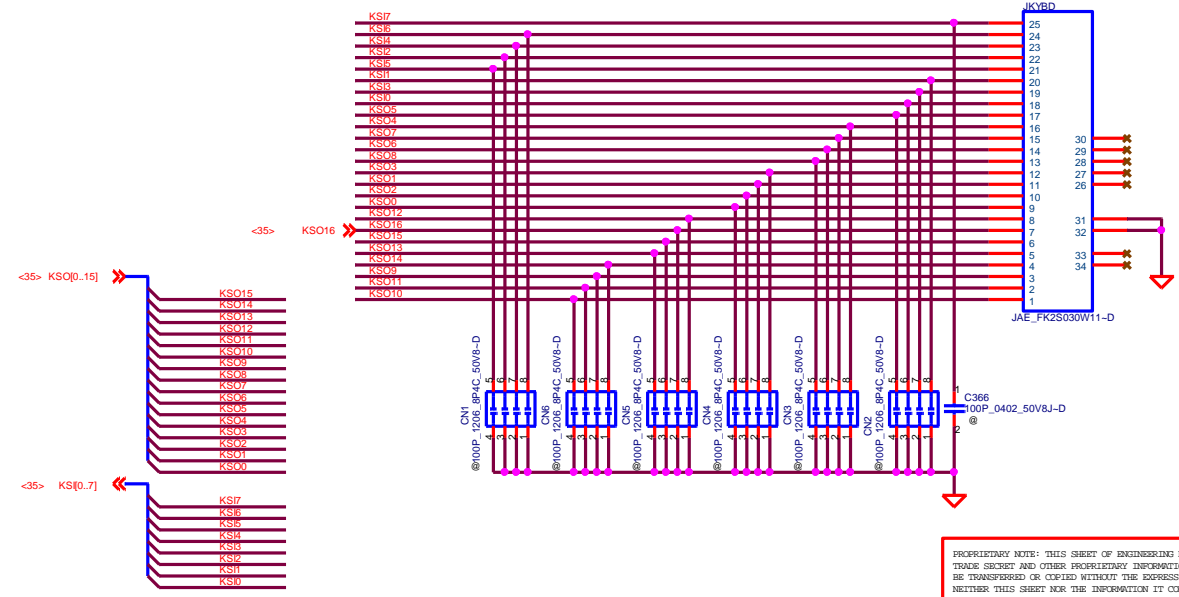
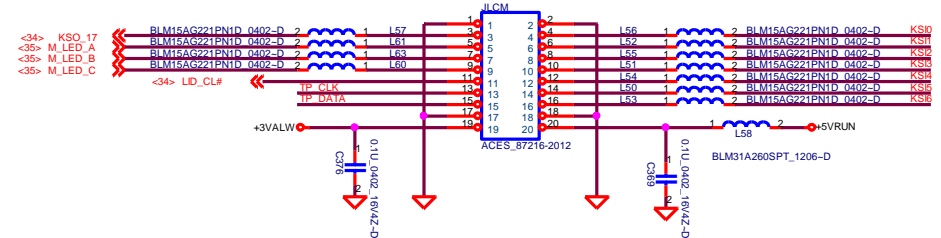


DELL CONFIDENTIAL/PROPRIETARY
Compal Electronics, Inc.
SIO LPC47N354(2/2)
LA-2171
 Date: 12/2004 Sheet: 35 of 50 Rev: 0.2

Note: SMSC errata
LPC47N354 A Rev Anomaly - Touch Pad IMCLK and IMDAT signals are inverted

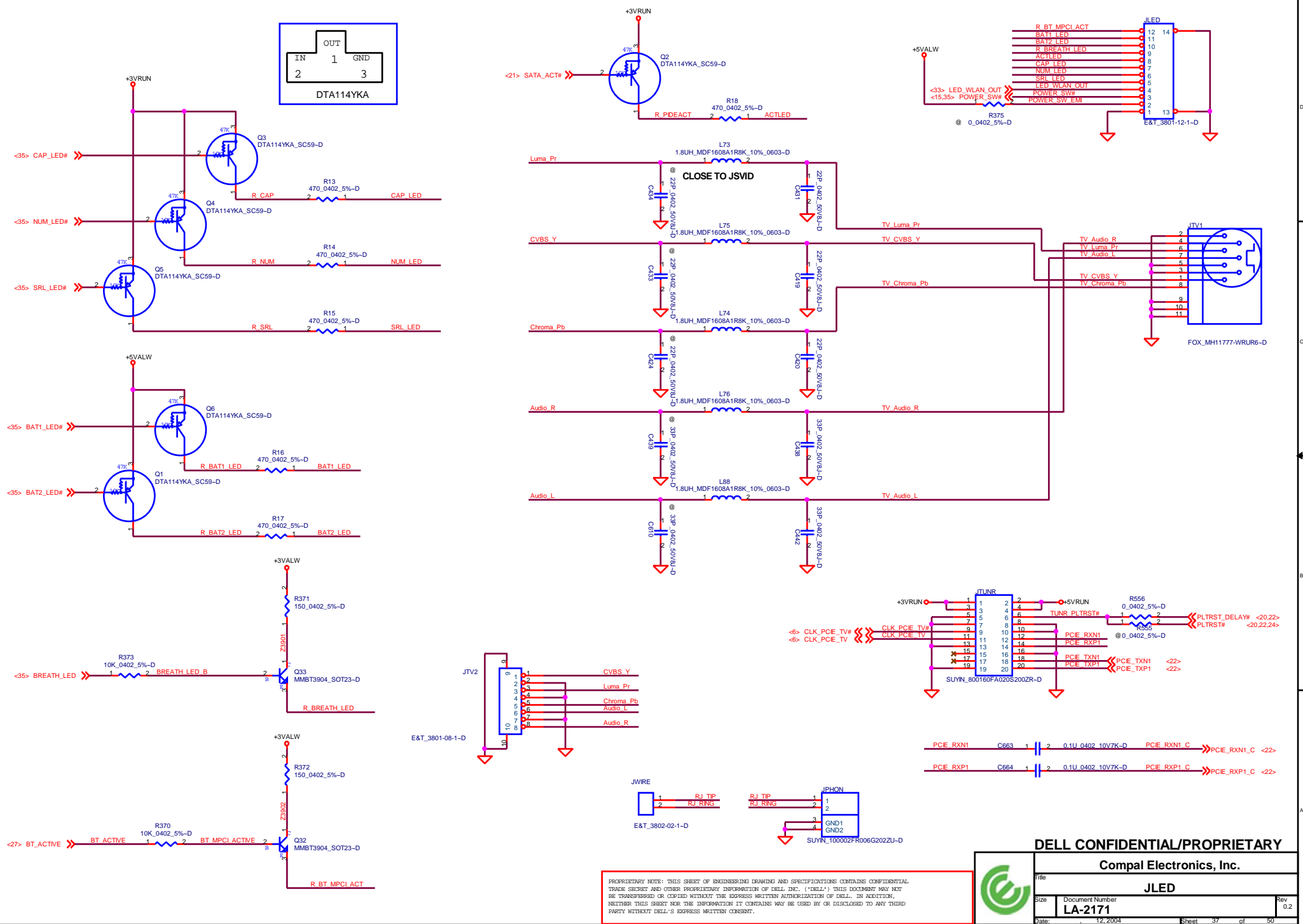


LCM & Direct play SW & T PAD



PROPRIETARY NOTE: THIS SHEET OF ENGINEERING DRAWING AND SPECIFICATIONS CONTAINS CONFIDENTIAL TRADE SECRET AND OTHER PROPRIETARY INFORMATION OF DELL, INC. ("DELL") THIS DOCUMENT MAY NOT BE TRANSMITTED OR COPIED WITHOUT THE EXPRESS WRITTEN AUTHORIZATION OF DELL, IN ADDITION WHETHER THIS SHEET OR THE INFORMATION IT CONTAINS MAY BE USED BY OR DISCLOSED TO ANY THIRD PARTY WITHOUT DELL'S EXPRESS WRITTEN CONSENT.

DELL CONFIDENTIAL/PROPRIETARY
Compal Electronics, Inc.
INT KB
LA-2171
 Date: 12/2004 Sheet 36 of 50

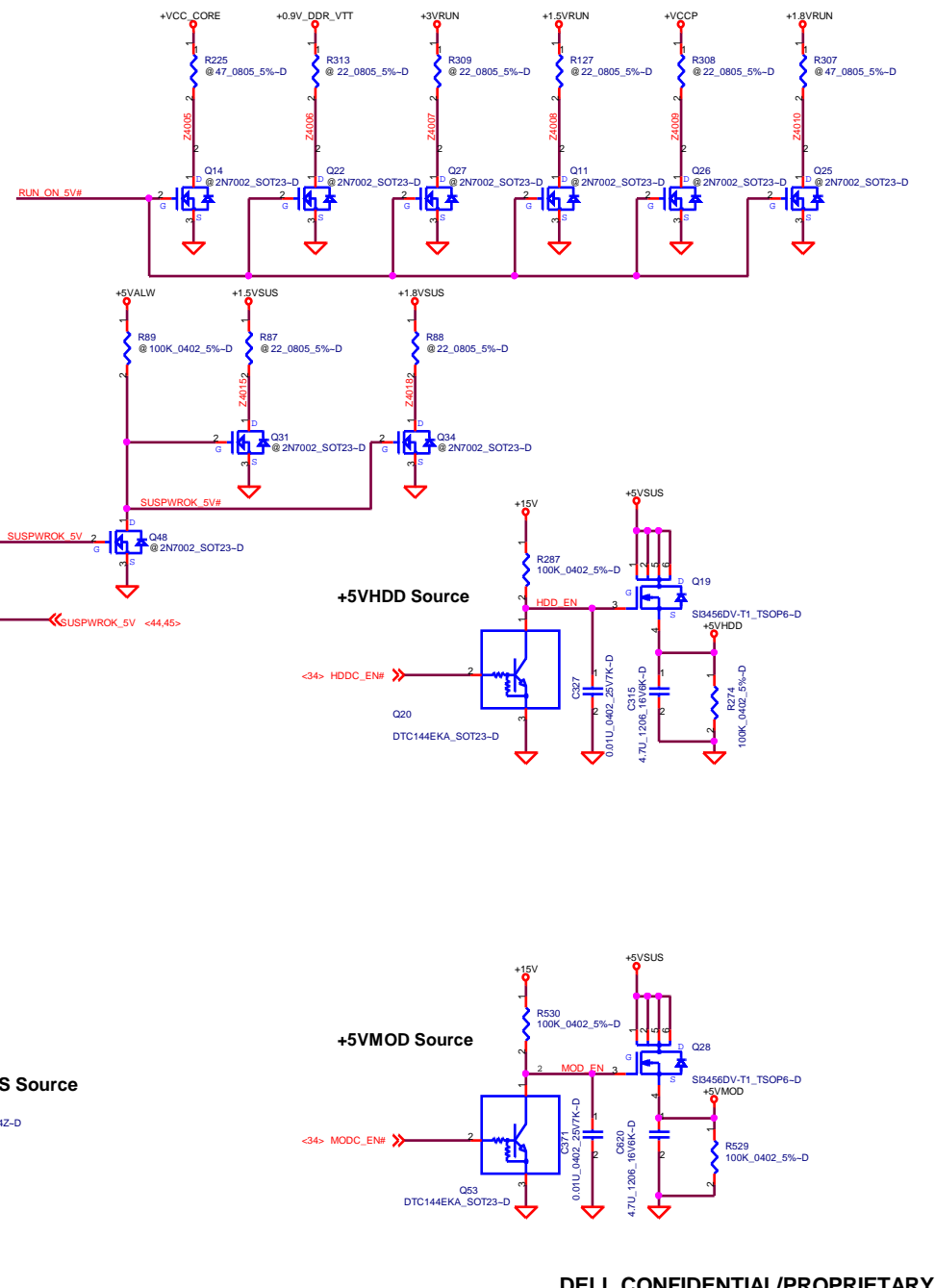
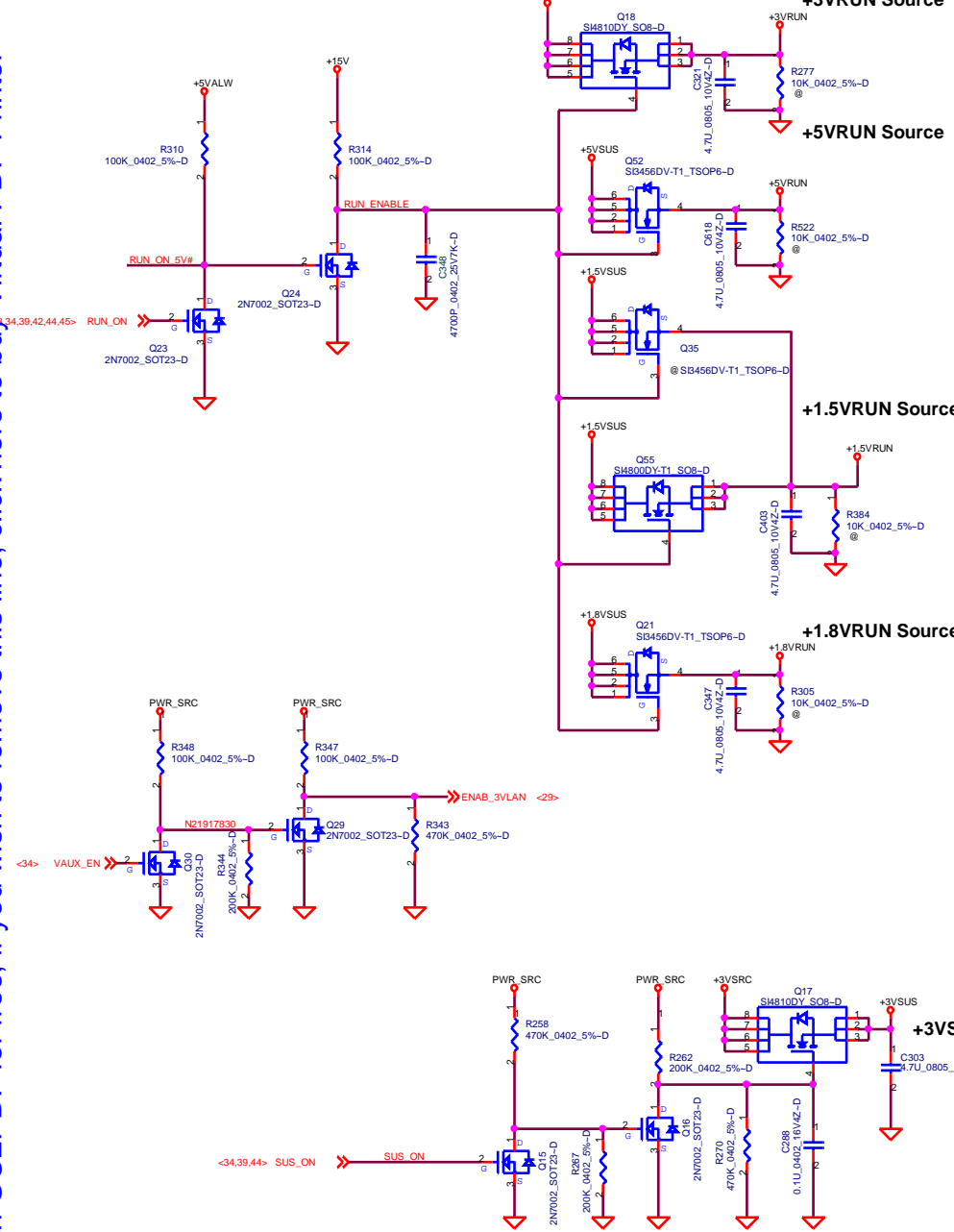


PROPRIETARY NOTE: THIS SHEET OF ENGINEERING DRAWING AND SPECIFICATIONS CONTAINS CONFIDENTIAL TRADE SECRET AND OTHER PROPRIETARY INFORMATION OF DELL, INC. ("DELL"). THIS DOCUMENT MAY NOT BE TRANSMITTED OR COPIED WITHOUT THE EXPRESS WRITTEN AUTHORIZATION OF DELL. IN ADDITION, NEITHER THIS SHEET NOR THE INFORMATION IT CONTAINS MAY BE USED BY OR DISCLOSED TO ANY THIRD PARTY WITHOUT DELL'S EXPRESS WRITTEN CONSENT.



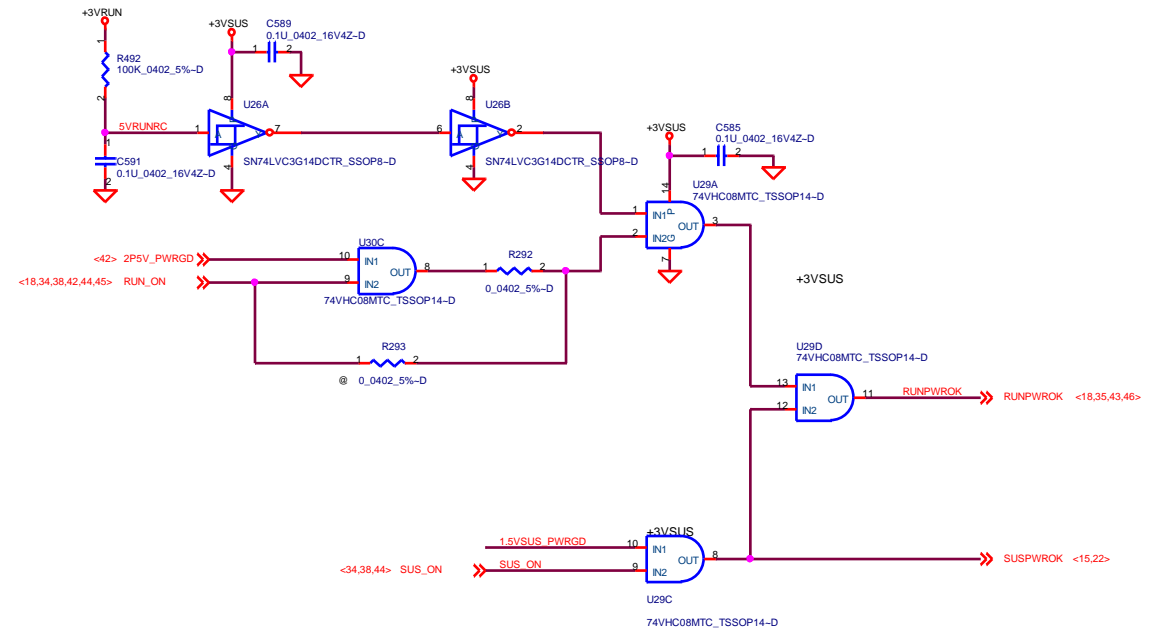
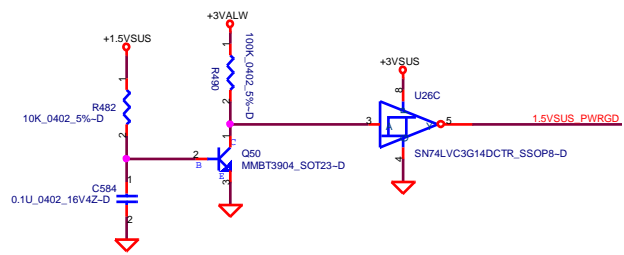
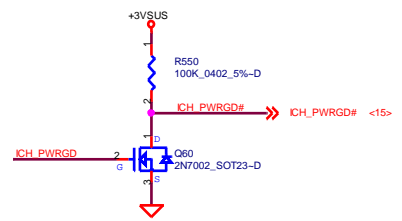
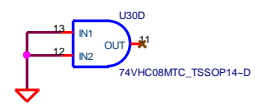
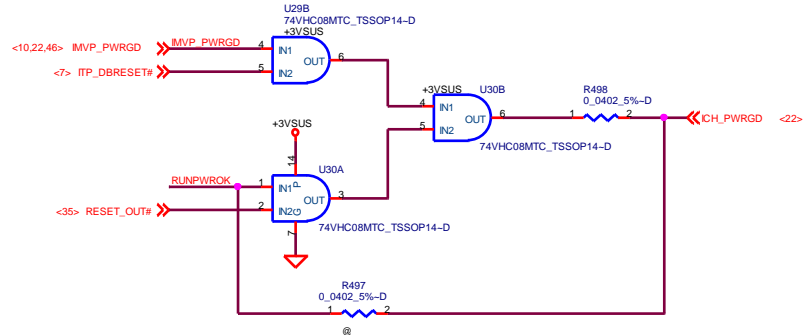
DELL CONFIDENTIAL/PROPRIETARY		
Compal Electronics, Inc.		
File	JLED	
Size	Document Number	Rev
	LA-2171	0.2
Date:	12, 2004	Sheet 37 of 50

Run Planes Enable



PROPRIETARY NOTE: THIS SHEET OF ENGINEERING DRAWING AND SPECIFICATIONS CONTAINS CONFIDENTIAL TRADE SECRET AND OTHER PROPRIETARY INFORMATION OF DELL, INC. ("DELL") THIS DOCUMENT MAY NOT BE TRANSMITTED OR COPIED WITHOUT THE EXPRESS WRITTEN AUTHORIZATION OF DELL. IN ADDITION, NEITHER THIS SHEET NOR THE INFORMATION IT CONTAINS MAY BE USED BY OR DISCLOSED TO ANY THIRD PARTY WITHOUT DELL'S EXPRESS WRITTEN CONSENT.

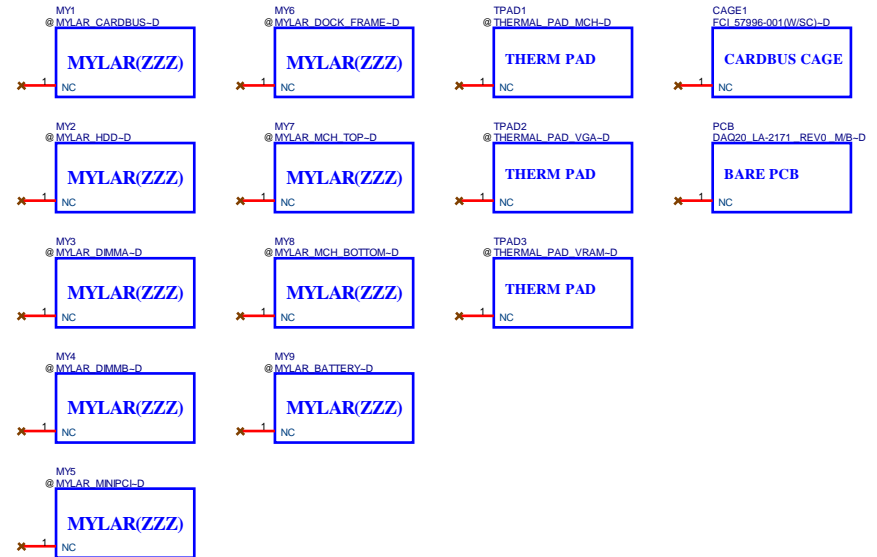
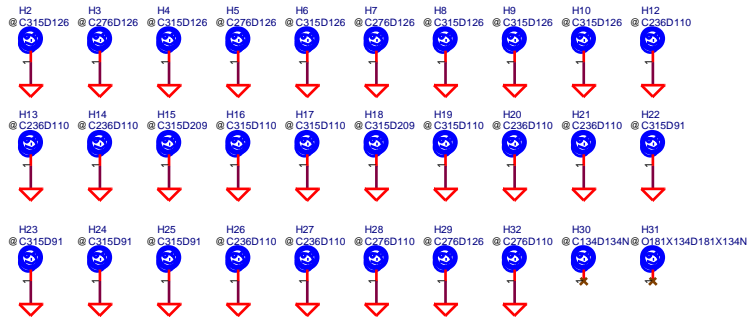
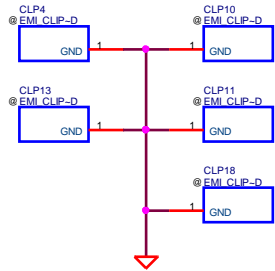
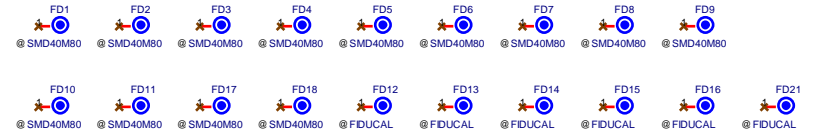
DELL CONFIDENTIAL/PROPRIETARY
Compal Electronics, Inc.
POWER CONTROL
 Document Number: **LA-2171**
 Rev: 0.2
 Date: 12/2004 Sheet 38 of 50



PROPRIETARY NOTE: THIS SHEET OF ENGINEERING DRAWING AND SPECIFICATIONS CONTAINS CONFIDENTIAL TRADE SECRET AND OTHER PROPRIETARY INFORMATION OF DELL INC. ("DELL") THIS DOCUMENT MAY NOT BE TRANSMITTED OR COPIED WITHOUT THE EXPRESS WRITTEN AUTHORIZATION OF DELL. IN ADDITION, NEITHER THIS SHEET NOR THE INFORMATION IT CONTAINS MAY BE USED BY OR DISCLOSED TO ANY THIRD PARTY WITHOUT DELL'S EXPRESS WRITTEN CONSENT.

DELL CONFIDENTIAL/PROPRIETARY		
Compal Electronics, Inc.		
Power Good		
Size	Document Number	Rev
	LA-2171	0.2
Date	12, 2004	Sheet 39 of 50

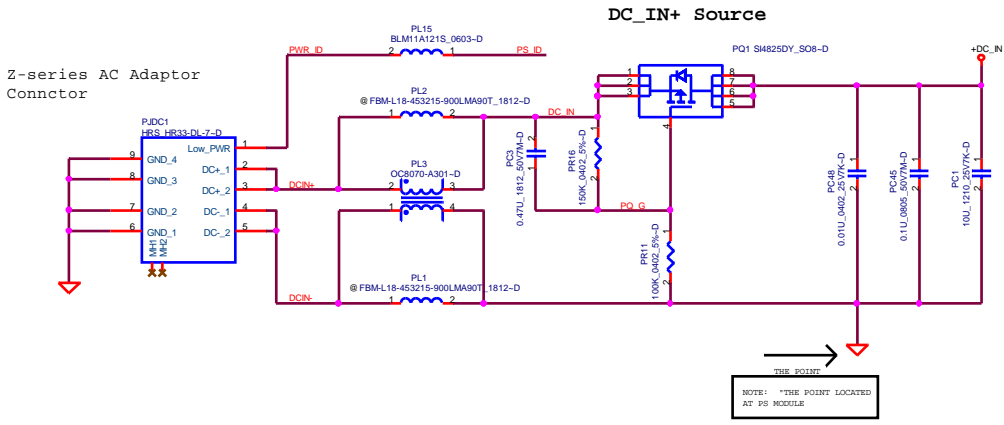
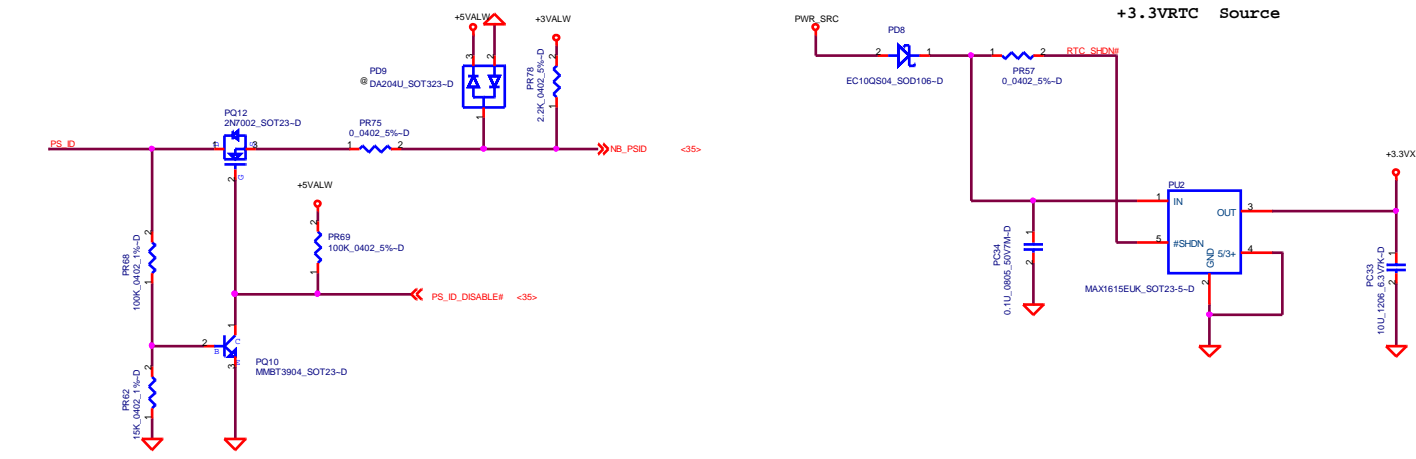
Fiducial Mark



PROPRIETARY NOTE: THIS SHEET OF ENGINEERING DRAWING AND SPECIFICATIONS CONTAINS CONFIDENTIAL TRADE SECRET AND OTHER PROPRIETARY INFORMATION OF DELL INC. ("DELL") THIS DOCUMENT MAY NOT BE TRANSMITTED OR COPIED WITHOUT THE EXPRESS WRITTEN AUTHORIZATION OF DELL. IN ADDITION, NEITHER THIS SHEET NOR THE INFORMATION IT CONTAINS MAY BE USED BY OR DISCLOSED TO ANY THIRD PARTY WITHOUT DELL'S EXPRESS WRITTEN CONSENT.



DELL CONFIDENTIAL/PROPRIETARY		
Compal Electronics, Inc.		
File PAD and Standoff		
Size	Document Number LA-2171	Rev 0.2
Date 12, 2004	Sheet 40	of 50



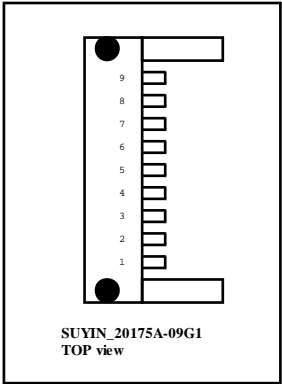
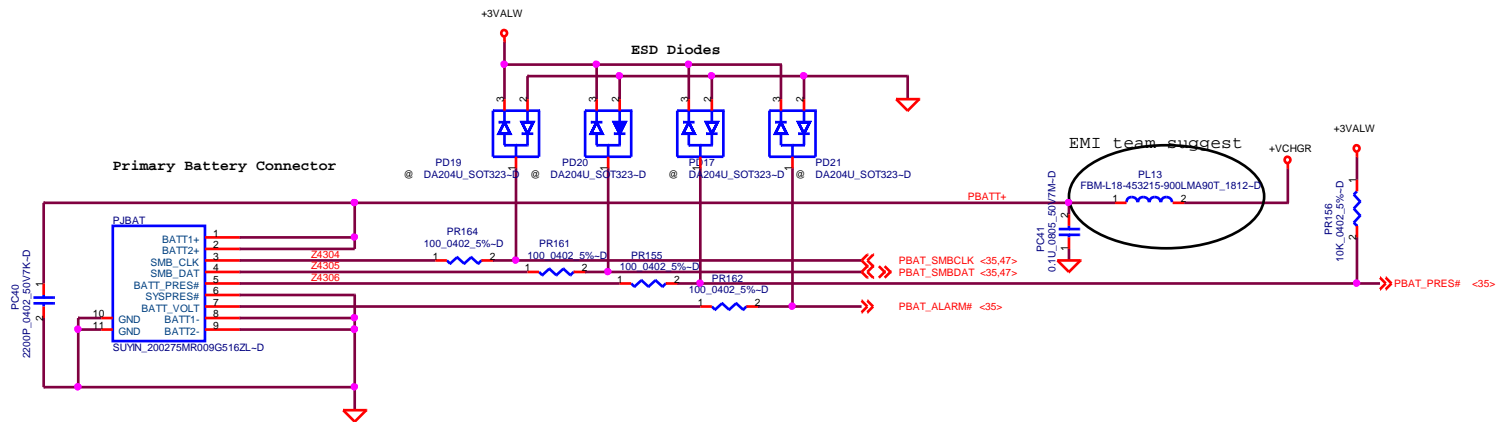
NOTE: *THE POINT LOCATED AT PS MODULE

DELL CONFIDENTIAL/PROPRIETARY
Compal Electronics, Inc.

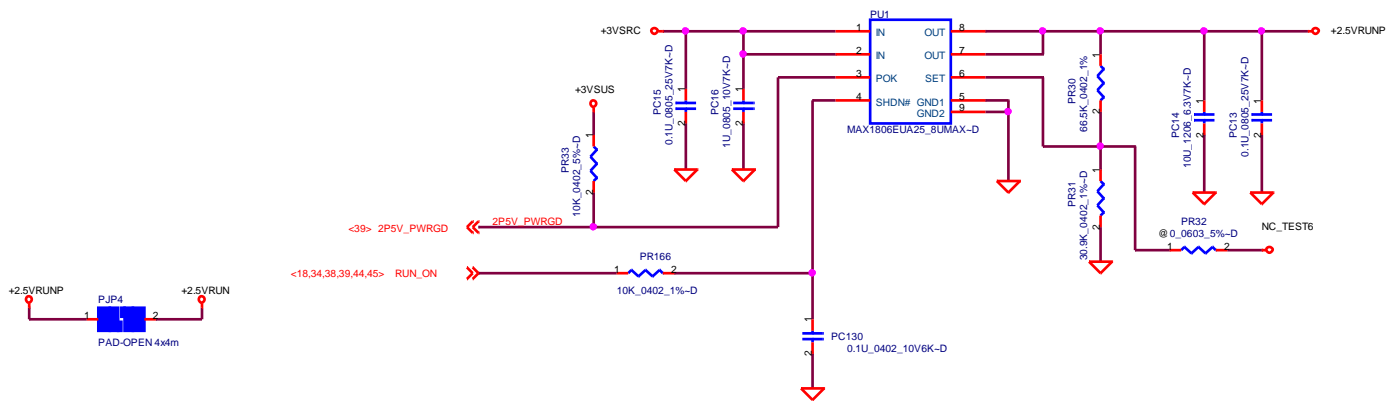


+DCIN		Rev 0.2
File	Document Number	LA-2171
Date	12/2004	Sheet 41 of 50

PROPRIETARY NOTE: THIS SHEET OF ENGINEERING DRAWING AND SPECIFICATIONS CONTAINS CONFIDENTIAL TRADE SECRET AND OTHER PROPRIETARY INFORMATION OF DELL INC. ('DELL') THIS DOCUMENT MAY NOT BE TRANSMITTED OR COPIED WITHOUT THE EXPRESS WRITTEN AUTHORIZATION OF DELL. IN ADDITION, NEITHER THIS SHEET NOR THE INFORMATION IT CONTAINS MAY BE USED BY OR DISCLOSED TO ANY THIRD PARTY WITHOUT DELL'S EXPRESS WRITTEN CONSENT.



+2.5V RUN $R1=R2 * (V_o / 0.8 - 1)$, R2:25K~100K.



PROPRIETARY NOTE: THIS SHEET OF ENGINEERING DRAWING AND SPECIFICATIONS CONTAINS CONFIDENTIAL TRADE SECRET AND OTHER PROPRIETARY INFORMATION OF DELL, INC. ("DELL"). THIS DOCUMENT MAY NOT BE TRANSMITTED OR COPIED WITHOUT THE EXPRESS WRITTEN AUTHORIZATION OF DELL. IN ADDITION, NEITHER THIS SHEET NOR THE INFORMATION IT CONTAINS MAY BE USED BY OR DISCLOSED TO ANY THIRD PARTY WITHOUT DELL'S EXPRESS WRITTEN CONSENT.

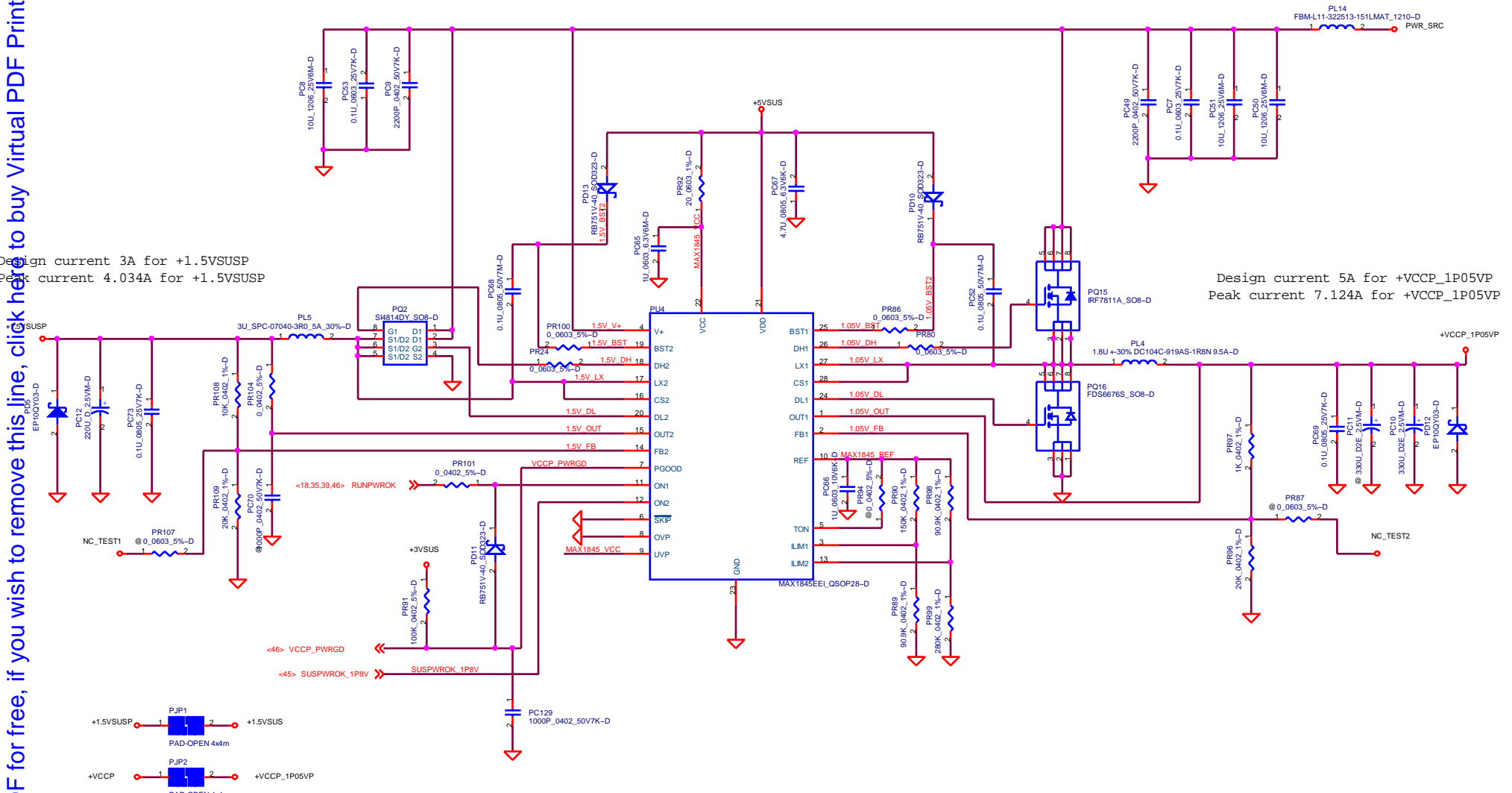
DELL CONFIDENTIAL/PROPRIETARY
Compal Electronics, Inc.
Battery Conn./+2.5V
LA-2171
 Date: 12/2004 Sheet: 42 of 50

+1.5VSUSP / +VCCP_1P05VP

Create PDF with GO2PDF for free, if you wish to remove this line, click here to buy Virtual PDF Printer

Design current 3A for +1.5VSUSP
Peak current 4.034A for +1.5VSUSP

Design current 5A for +VCCP_1P05VP
Peak current 7.124A for +VCCP_1P05VP



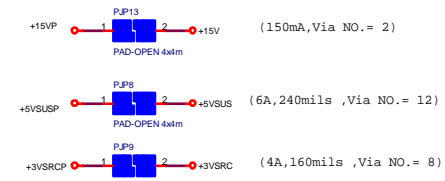
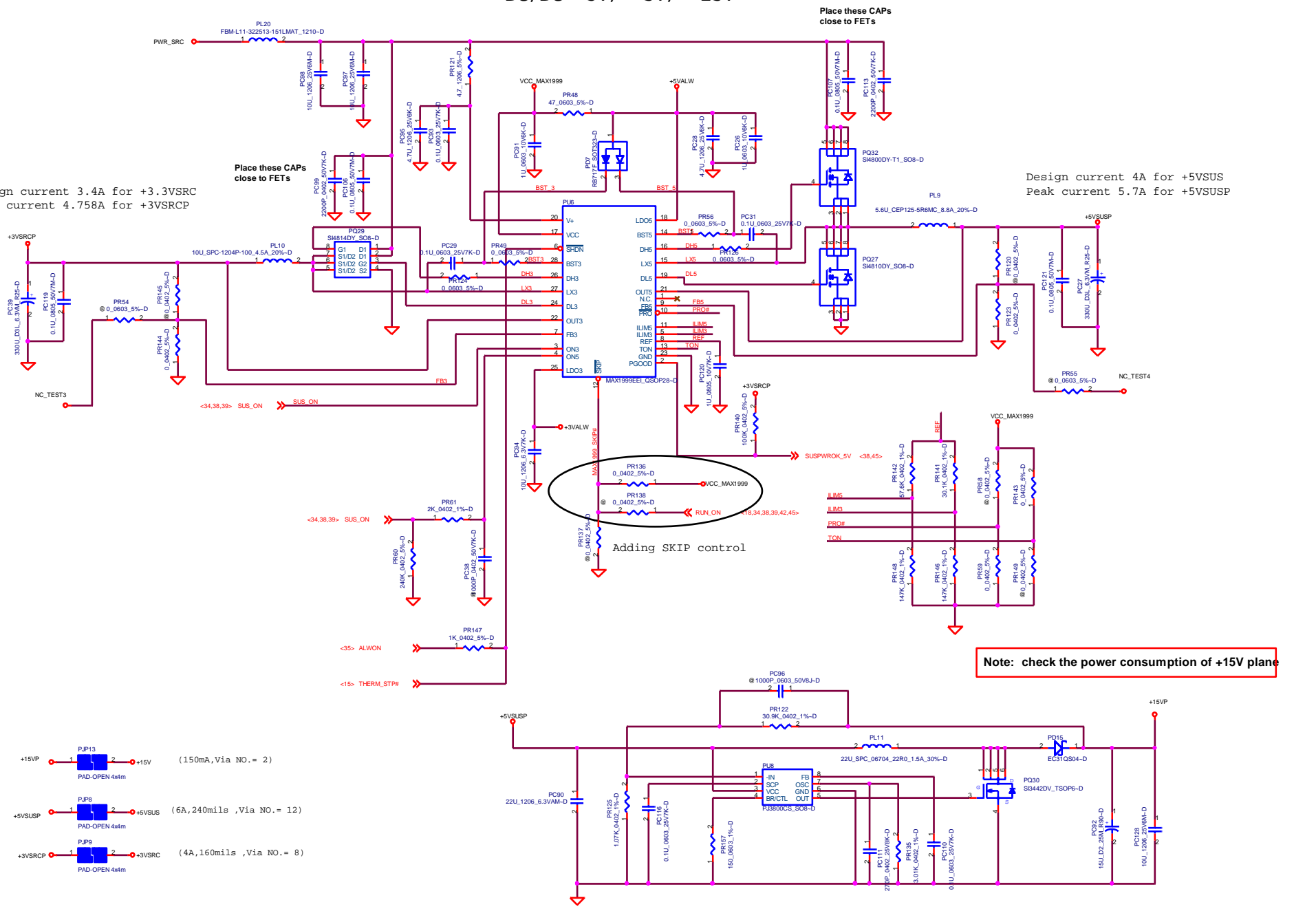
PROPRIETARY NOTE: THIS SHEET OF ENGINEERING DRAWING AND SPECIFICATIONS CONTAINS CONFIDENTIAL, TRADE SECRET AND OTHER PROPRIETARY INFORMATION OF DELL INC. ("DELL"). THIS DOCUMENT MAY NOT BE TRANSMITTED OR COPIED WITHOUT THE EXPRESS WRITTEN AUTHORIZATION OF DELL. IN ADDITION, NEITHER THIS SHEET NOR THE INFORMATION IT CONTAINS MAY BE USED BY OR DISCLOSED TO ANY THIRD PARTY WITHOUT DELL'S EXPRESS WRITTEN CONSENT.

DELL CONFIDENTIAL/PROPRIETARY
Compal Electronics, Inc.

Title		+1.5VSUSP /+VCCP_1P05VP	
Size	Document Number	Rev	
	LA-2171	0.2	
Date:	12/2004	Sheet	43 of 50

DC/DC +3V/ +5V/ +15V

Create PDF with GO2PDF for free, if you wish to remove this line, click here to buy Virtual PDF Printer



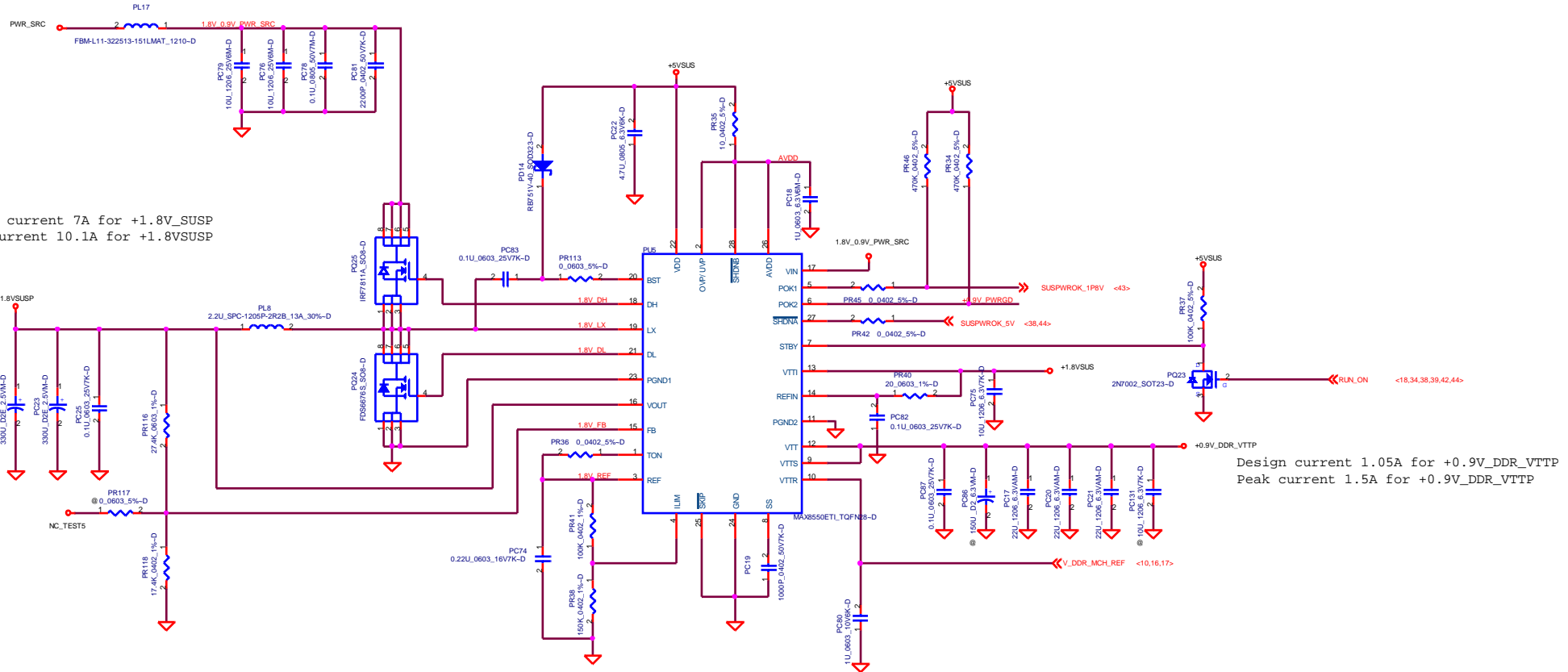
DELL CONFIDENTIAL/PROPRIETARY
Compaq Electronics, Inc.

PROPRIETARY NOTE: THIS SHEET OF ENGINEERING DRAWING AND SPECIFICATIONS CONTAINS CONFIDENTIAL TRADE SECRET AND OTHER PROPRIETARY INFORMATION OF DELL, INC. ('DELL'). THIS DOCUMENT MAY NOT BE TRANSMITTED OR COPIED WITHOUT THE EXPRESS WRITTEN AUTHORIZATION OF DELL. IN ADDITION, NEITHER THIS SHEET NOR THE INFORMATION IT CONTAINS MAY BE USED BY OR DISCLOSED TO ANY THIRD PARTY WITHOUT DELL'S EXPRESS WRITTEN CONSENT.



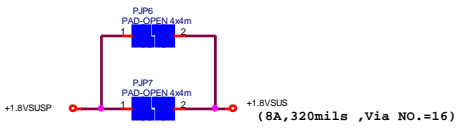
File	+3.3V/+5V/+15V		
Size	Document Number	Rev	
	LA-2171	0.2	
Date	12/2004	Sheet	41 of 50

+1.8VSUSP/ +0.9V_DDR_VTT
DDR2 Termination



Design current 7A for +1.8V_SUSP
Peak current 10.1A for +1.8VSUSP

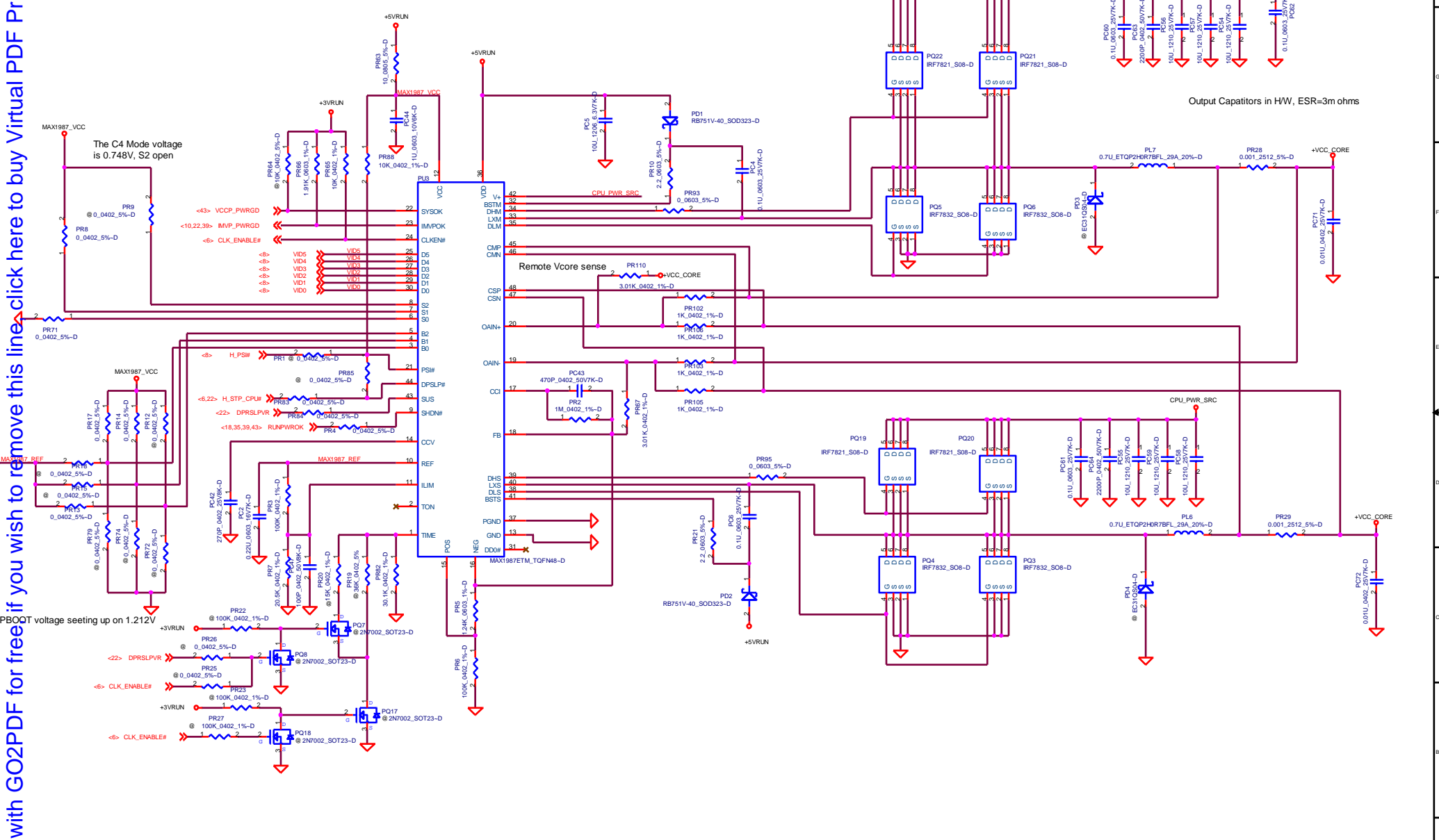
Design current 1.05A for +0.9V_DDR_VTTP
Peak current 1.5A for +0.9V_DDR_VTTP



PROPRIETARY NOTE: THIS SHEET OF ENGINEERING DRAWING AND SPECIFICATIONS CONTAINS CONFIDENTIAL TRADE SECRET AND OTHER PROPRIETARY INFORMATION OF DELL INC. ("DELL"). THIS DOCUMENT MAY NOT BE TRANSFERRED OR COPIED WITHOUT THE EXPRESS WRITTEN AUTHORIZATION OF DELL. IN ADDITION, NEITHER THIS SHEET NOR THE INFORMATION IT CONTAINS MAY BE USED BY OR DISCLOSED TO ANY THIRD PARTY WITHOUT DELL'S EXPRESS WRITTEN CONSENT.

DELL CONFIDENTIAL/PROPRIETARY		
file	+1.8VSUSP/ +0.9V_DDR_VT	
Size	Document Number	Rev
	Board Number LA2111	0.1
Date	12/2004	Sheet 45 of 50

V I D						Vcore
VID 5	VID 4	VID 3	VID 2	VID 1	VID 0	V
0	1	1	1	1	0	1.484
0	1	1	0	0	1	1.308
1	0	1	1	1	1	0.956
1	1	1	1	1	0	0.748



Change PR22/PC8/PQ17/PQ1/PQ18/PR20/PR26/PR23/PR19 for BANIAS and DOTHAN
 PR22/PQ8/PQ17/PQ1/PQ18/PR20/PR26/PR23 and PR19 are only for YONAH CPU.

- TRANSITION TIMING:
- (a) START-UP and SHUTDOWN (SUS=LOW, RUNPWROK=LOW) : 2mV/us
 - (b) ENTER SUSPEND (SUS=HIGH, RUNPWROK=HIGH) : 8.6mV/us
 - (c) EXIT SUSPEND (SUS=LOW, RUNPWROK=HIGH) : 24.7mV/us

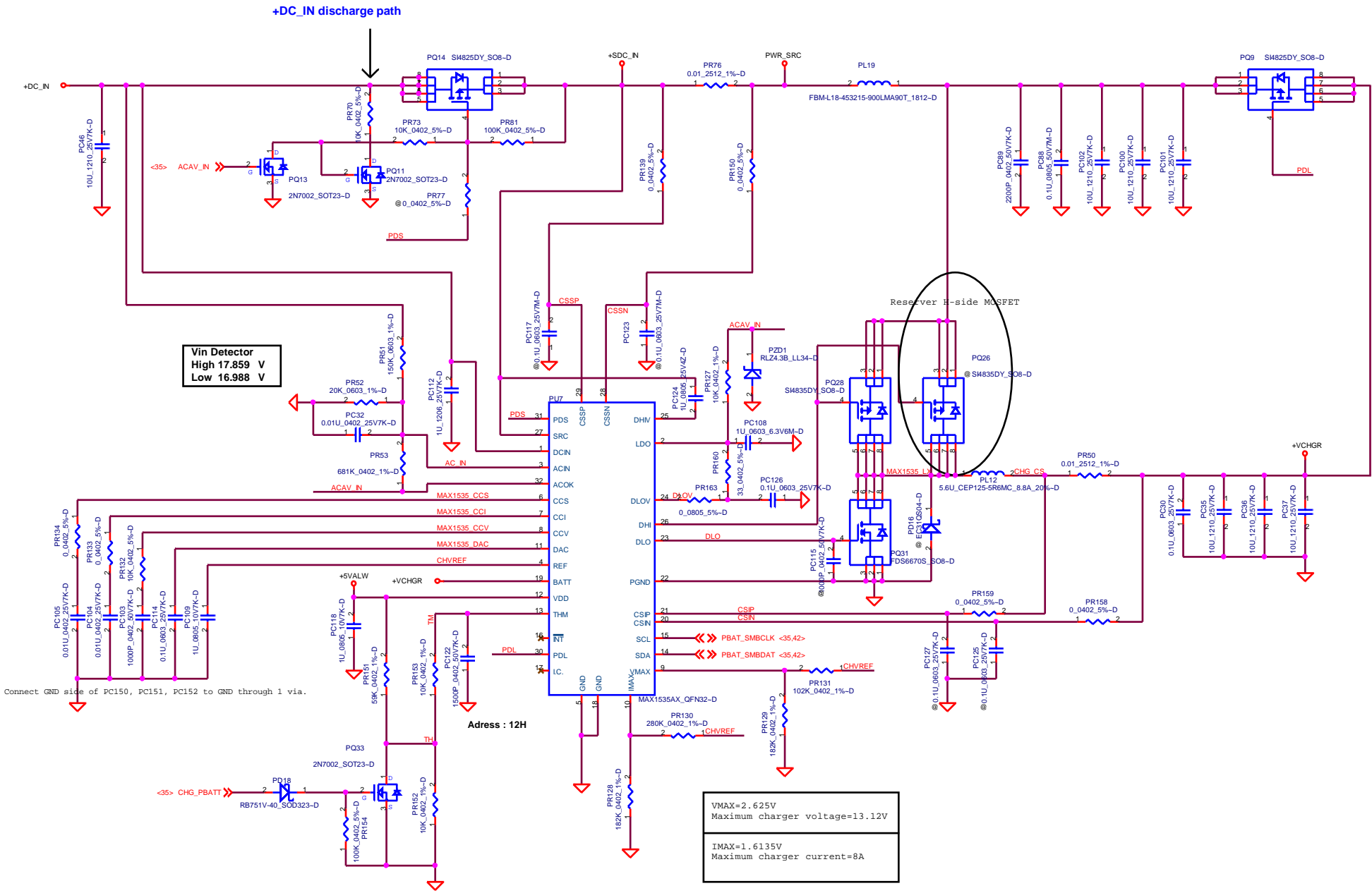
PROPRIETARY NOTE: THIS SHEET OF ENGINEERING DRAWING AND SPECIFICATIONS CONTAINS CONFIDENTIAL TRADE SECRET AND OTHER PROPRIETARY INFORMATION OF DELL INC. ('DELL') THIS DOCUMENT MAY NOT BE TRANSMITTED OR COPIED WITHOUT THE EXPRESS WRITTEN AUTHORIZATION OF DELL. IN ADDITION, NEITHER THIS SHEET NOR THE INFORMATION IT CONTAINS MAY BE USED BY OR DISCLOSED TO ANY THIRD PARTY WITHOUT DELL'S EXPRESS WRITTEN CONSENT.

DELL CONFIDENTIAL/PROPRIETARY

Compal Electronics, Inc.

+VCORE

File	Document Number	Rev
LA-2171		0.2
Date	Sheet	of
12-2004	46	50



DELL CONFIDENTIAL/PROPRIETARY

Compal Electronics, Inc.

Charger

Size	Document Number	Rev
	LA-2171	0.2

Date: 12, 2004 Sheet 47 of 50

PROPRIETARY NOTE: THIS SHEET OF ENGINEERING DRAWING AND SPECIFICATIONS CONTAINS CONFIDENTIAL TRADE SECRET AND OTHER PROPRIETARY INFORMATION OF DELL, INC. ("DELL") THIS DOCUMENT MAY NOT BE TRANSMITTED OR COPIED WITHOUT THE EXPRESS WRITTEN AUTHORIZATION OF DELL, IN ADDITION, NEITHER THIS SHEET NOR THE INFORMATION IT CONTAINS MAY BE USED BY OR DISCLOSED TO ANY THIRD PARTY WITHOUT DELL'S EXPRESS WRITTEN CONSENT.

Version Change List (P. I. R. List)

Item	Page#	Title	Date	Request Owner	Issue Description	Solution Description	Rev.
1	31&32	Cardbus	10/15/03	Dell	Change cardbus controller to TI PCI4515.	Change U162	M00
2	18	VGA/B & DVI CONN.	10/16/03	Dell	Add DVI connector.	Add JDVI	M00
3	25	SATA Bridge	10/16/03	Dell	Add SATA to PATA circuit.	Add page 25	M00
4	28	Subwoofer	10/16/03	Dell	Add subwoofer circuit.	Add page 28	M00
5	40	LED/B	10/16/03	Dell	Removed IR circuit.	Delete U52	M00
6	27	Amplifier & Phone JACK	10/17/03	Dell	Removed internal MIC circuit.		X00
7	31&32	LOM	10/17/03	Dell	Change LAN controller (U164) from 5751M to 4401. Add pop option for the 5705 like Kapalua/Lindbergh board.		X00
8	33	Cardbus	10/17/03	Dell	Depop 1394 choke, L142 and pop bypass resistors, R1025, R1026, R1027, R1028		X00
9	1	Cover page	10/17/03	Dell	Change schematic revision from M00 to X00.		X00
10	40	PAD & ME & spare parts	01/07/04	Compal	For EMI requirement.	Pop CLP4,5,10,11,13 and depop CLP18	X01
11	22	ICH6(3/4)	01/08/04	Dell	Connected PCIE channel 1 to TV-Tuner connector.	Delete T4,T5,T29,T30 and add C661,C662	X01
12	37	LED/B & TV TUNER	01/08/04	Dell	Connected TV tuner signals.	Add C663,C664	X01
13	40	PAD & ME & spare parts	01/08/04	Compal	Added ME standoff.	Pop H12,H13,H14,H17,H20,H21,H26,H27	X01
14	32	CardBus(2/2)	01/28/04	Compal	Fixed SD card issue.	The pin11 of JSD need to be connected to GND and pin 12 need to be connected to U17 pin b3.	X01
15	10	Alviso(1/5)	01/28/04	Dell	From Intel Message.	Change C124 from 220pF to 0.1uF and move capacitor as close as possible to the HVREF pin (pin J11 of U15).	X01
16	6	Clock Generator	01/28/04	Dell	Per Intel and ICS recommendation.	Connect the SATA clock to SRC4 and connect the VGA clock to SRC1.	X01
17	7&10	Dothan(1/2) & Alviso(1/5)	01/28/04	Dell	Per the Intel Check list 1.301	Change R397 and R114 to 75 ohm.	X01
18	36	Internal K/B & LCM CONN.	01/29/04	Compal	The BIOS debug connector is for bring up only.	Delete JDEBUG.	X01
19	1	Cover page	01/29/04	Compal	Change schematic revision from X00 to X01.		X01
20	35	Macallen(2/2)	01/29/04	Compal	Board ID X01.	Pop R318 and depop R319.	X01
21	34	Macallen(1/2)	01/29/04	Compal	Reserved a inverter for serial port debug.	Add U36 and T13.	X01
22	40	PAD & ME & spare parts	01/30/04	Compal	This clip have interferenced with screw hole.	Delete CLP5 and add H32	X01
23	37	LED/B & TV TUNER	02/02/04	Compal	The indicative LED of HDD doesn't work well.	Remove R12 and connect the pin3 of Q2 to +3VRUN.	X01
24	37	LED/B & TV TUNER	02/04/04	Dell	Changed JTUNR pin definitions	Added PCIRST#, CLK_PCIE_TV/TV# signals	X01
25	6	Clock Generator	02/04/04	Dell	Added PCIE clock connection to JTUNR	Added R551, R552, R553, R554	X01

DELL CONFIDENTIAL/PROPRIETARY

Compal Electronics, Inc.

Changed-List History

Date: 12/2004 Sheet 48 of 50

PROPRIETARY NOTE: THIS SHEET OF ENGINEERING DRAWING AND SPECIFICATIONS CONTAINS CONFIDENTIAL TRADE SECRET AND OTHER PROPRIETARY INFORMATION OF DELL, INC. ("DELL"). THIS DOCUMENT MAY NOT BE TRANSMITTED OR COPIED WITHOUT THE EXPRESS WRITTEN AUTHORIZATION OF DELL. IN ADDITION, NEITHER THIS SHEET NOR THE INFORMATION IT CONTAINS MAY BE USED BY OR DISCLOSED TO ANY THIRD PARTY WITHOUT DELL'S EXPRESS WRITTEN CONSENT.



Version Change List (P. I. R. List)

Item	Page#	Title	Date	Request Owner	Issue Description	Solution Description	Rev.
26	37	LED/B & TV TUNER	02/05/04	Dell	Changed JTUNR PCIRST# to PLTRST# or PLTRST_DELY# Pop Option	Added R555, R556	X01
27	35	Macallen(2/2)	02/05/04	Dell	Improves the rise time of the SMBUS signals. Allbatteryvendors and Compal agree to the change per Youseff Dauo.	Change battery SMBUS pullups, R336 and R526, from 22K to 8.2k.	X01
28	5	SMBus Diagram	02/05/04	Dell	Add a SMBus device address table in the Schematic.		X01
29	13&23	Alviso(4/5) & ICH6(4/4)	02/05/04	Compal	Panasonic has phase out SGA2022114L.	Change C510,C514 from SGA2022114L to SGA2022110L.	X01
30	38	Power control	02/06/04	Dell	SUSPWROK_5V no longer controls the switching FET for +3VSUS.	Removed R256 and R257.	X01
31	18	VGA/B & DVI CONN.	02/06/04	Dell	Add bulk capacitor to G_PWR_SRC.	Add C647, but nopop.	X01
32	27	Subwoofer	02/06/04	Dell	Add 0 ohm pop options to make it easier to switch between both subwoofer amps.	Add R12,R79 for pop options.	X01
33	37	LED/B & TV TUNER	02/06/04	Dell	TV tuner solution for X01 gerber.	Change JTV1,JTV2 and JTUNR pin definitions. JTV1 is a 8pin MINI DIN CONN.	X01
34	28	USB 2.0 PORT	02/06/04	Dell	Change the single USB port in the back to dual stack.	Add L14,L17,C88,C87 and change the P/N of JUSB1.	X01
35	39	Power Sequence	02/09/04	Dell	Delays 1.5VSUS power good so that it comes up after 1.5VSUS is completely up.	Change R482 from 330ohm to 10K. Change R490 from 10k to 100K.	X01
36	37	LED/B & TV TUNER	02/09/04	Dell	Add EMI pi-filters for 5 AV signals.	Add L73,L74,L75,L76,L88,C438,C442,C419,C420,C431,C433,C434,C424,C439,C610	X01
37	38	Power control	02/10/04	Dell	Decrease Rdson for +1.5SUS to +1.5RUN switching FET.	Add Q55 and nopop Q35.	X01
38	35	Macallen(2/2)	02/11/04	Dell	Backout workaround for SMSC errata item. Connect CLK_SM2 and DAT_SM2 appropriately.	Delete RN28 and RN29.	X01
39	22	ICH6(3/4)	02/11/04	Dell	SIO_EXT_WAK# signal leakage to +3VRUN via GPI12 of ICH6M when system is into S3 status.	Added R90, R91 (0 ohm pop option)	X01
40	38	Power control	02/11/04	Dell	Add drain FETs for +1.5VSUS and +1.8VSUS. FETs to drain power plane when system is turned off.	Added R87~R89, Q31, Q34, Q48	X01
41	18	VGA/B & DVI CONN.	02/11/04	Dell	ME team decided to use JAE DVI-I connector (with shielding) instead of Suyin DVI-D connector (without shielding) for EA/SST build this time.	Change the P/N of JDVI	X01
42	35	Macallen(2/2)	02/11/04	Compal	System auto power on issue.	Change C609 from 1uF to 0.1uF and R504 from 100K to 10K ohm.	X01
43			02/11/04	Compal	Reduce the pad width by compal's DFX requirement.	Change the footprint of Q13,Q19,Q21,Q28,Q35,Q47,Q52,Q7	X01

DELL CONFIDENTIAL/PROPRIETARY

Compal Electronics, Inc.

Changed-List History

Title	LA-2171		Rev	0.2
Size	Document Number			
Date	12/2004	Sheet	49	of 50

PROPRIETARY NOTE: THIS SHEET OF ENGINEERING DRAWING AND SPECIFICATIONS CONTAINS CONFIDENTIAL TRADE SECRET AND OTHER PROPRIETARY INFORMATION OF DELL INC. ("DELL") THIS DOCUMENT MAY NOT BE TRANSMITTED OR COPIED WITHOUT THE EXPRESS WRITTEN AUTHORIZATION OF DELL. IN ADDITION, NEITHER THIS SHEET NOR THE INFORMATION IT CONTAINS MAY BE USED BY OR DISCLOSED TO ANY THIRD PARTY WITHOUT DELL'S EXPRESS WRITTEN CONSENT.

Version Change List (P. I. R. List) for Power Circuit

Item	Page#	Title	Date	Request Owner	Issue Description	Solution Description	Rev.
1	49	Charger selector	2003/10/14	Compal	Modify charger selector circuit.	Need to discuss.	0.0
2	42	PSID & +3VX	2003/10/15	Compal	Modify PSID circuit same as Nimitas. And add current limit resistor on RTC charger.	Add ESD solution on PSID, and limit RTC charge current.	0.0
3	44	+15VP	2003/11/4	Compal	+15VP current rating is not enough for subwoofer	Use MB3800 Boost IC to generate +15VP from +5VSUSP	X00
4	47	Charger	2003/11/5	Compal	That has leakage current from battery goes through PQ22 and PQ44 to DC IN.	Move Adaptor current sense PR144 after PQ24 and before PWR_SRC. That is same as Nimitaz.	X00
5	44	+15VP	2003/12/11	Compal	Test +15VP on Demon board. The output ripple voltage is large and improve efficiency.	Add PC128 10U_1206_25V, change PQ30 from SI2302DS to SI3442DV, change PR157 form 392_0603_1% to 150_0603_1%, no-pop PC96.	M00
6	45	+1.8VSUSP	2004/2/1	DELL	Change DDRII DC-DC solution for cost down.	Using MAXIM MAX8550 .	X01
7	43	+VCCP_1P05VP	2004/2/1	Compal	VCCP_1p05VP has two 330uF caps on it(PC10, PC11), Laguna only has one. Do we need two?	Can de-populate PC11, and test is OK.	X01
8	45	+1.8VSUSP	2004/2/5	Compal	Voltage divider setting is error, the FB regulate on 0.7V.	Change PR116 from 45.3K_0402_1% to 27.4K_0603_1%. Change PC22 from 1U_0603_6.3V to 4.7U_0805_6.3V	X01
9	46	+VCC_CORE	2004/2/5	Compal	Choke height is over mechanical height limitation	Change PL6 and PL7 from 0.6U_HK_AE26A0R6 to 0.7U_ETQP2H0R7BFL.	X01
10	46	+VCC_CORE	2004/2/6	Compal	EMI broad band test is over 1~2 db	Change PR10 and PR21 from 0_0603_5% to 2.2_0603_5%.	X01
11	41	PS_ID	2004/2/11	DELL	Open issue #60 Change PS_ID pullup resistor, PR78, from 1.5K to 2.2K	Change PR78 from 1.5K_0603_1% to 2.2K_0402_5%.	X01
12	45	+0.9V_DDR_VTTP	2004/2/11	DELL	Open issue #63 Please add a 10uf, 1206 package capacitor at the output of PU5 pin 12, +0.9V_DDR_VTTP.	Add and reserve PC131 10U_1206_6.3V7K.	X01
13							
14							
15							
16							
17							
18							
19							
20							
21							
22							
23							
24							
25							

DELL CONFIDENTIAL/PROPRIETARY

Compal Electronics, Inc.

Power-Changed-List History



Size	Document Number	Rev
	LA-2171	0.2
Date	12, 2004	Sheet 50 of 50

PROPRIETARY NOTE: THIS SHEET OF ENGINEERING DRAWING AND SPECIFICATIONS CONTAINS CONFIDENTIAL TRADE SECRET AND OTHER PROPRIETARY INFORMATION OF DELL INC. ("DELL") THIS DOCUMENT MAY NOT BE TRANSFERRED OR COPIED WITHOUT THE EXPRESS WRITTEN AUTHORIZATION OF DELL. IN ADDITION, NEITHER THIS SHEET NOR THE INFORMATION IT CONTAINS MAY BE USED BY OR DISCLOSED TO ANY THIRD PARTY WITHOUT DELL'S EXPRESS WRITTEN CONSENT.