

# DAVOS-DF

## PV-1-BUILD

2004.11.04

DATE	CHANGE NO.	REV

DRAWER	EE	DATE	POWER	DATE	<b>INVENTEC</b> TITLE <b>DAVOS-DF</b>
DESIGN					
CHECK					
RESPONSIBLE					
SIZE =	3	VER :			SIZE CODE DOC. NUMBER REV
FILE NAME :	XXXX-XXXXXX-XX				<b>A3 CS PC9603 A01</b>
P/N	XXXXXXXXXXXX				SHEET 1 OF 65

**TABLE OF CONTENTS**

<b>PAGE</b>	<b>PAGE</b>	<b>PAGE</b>
5- DC& BATTERY CHARGER	27- DDR-DIMM1	49- CARDBUS CONTROLL
6- SELECT & BATTERY CONN	28- DDR-DAMPING RESISTORS	50- 6 IN 1 SLOT DAUGHTOR BOARD
7- SYSTEM POWER(3V/5V)	29- DDR-TERMINAL RESISTORS	51- 1394 JACK
8- D/B SYSTEM POWER(+VCCP)	30- CRT& MINI DIN	52- PC CARD SLOT
9- SYSTEM POWER(+V2.5/+V1.5A)	31- LCD CONN	53- MINIPCI CONN
10- D/B SYSTEM POWER(+V1.25S)	32- ICH6-1	54- 10/100/1000 NIC
11- CPU POWER(VCC_CORE)	33- ICH6-2	55- BLANK
12- BLANK	34- ICH6-3	56- NIC-TRANSFORMER
13- POWER(SLEEP)	35- ICH6-4	57- DOCKING CONN
14- POWER(SEQUENCE)	36- ICH6-5	58-MDC CONN
15- CLOCK_GENERATOR	37- KBC	59- BLUETOOTH CONN
16- DOTHAN-1	38- FWH	60- LEDS
17- DOTHAN-2	39- INT. KB CONN & TOUCHPAD	61- SWITCH & BUTTON
18- DOTHAN-3	40- SUPER I/O	62- SCREW
19- DOTHAN-4	41- SERIAL PORT & IR	63- BUTTON & LED DAUGHTER BOARD
20- THERMAL&FAN CONTROLLER	42- PARALLEL PORT	64- CABLES
21- ALVISO-1	43- AC97 CODEC	65- CHANGE LIST
22- ALVISO-2	44- EQ, MIC & HP JACK	
23- ALVISO-3	45- AUDIO AMP	
24- ALVISO-4	46- HDD CONN	
25- ALVISO-5	47- OPTICAL DRIVE CONN	
26- DDR-DIMM0	48- USB CONN	

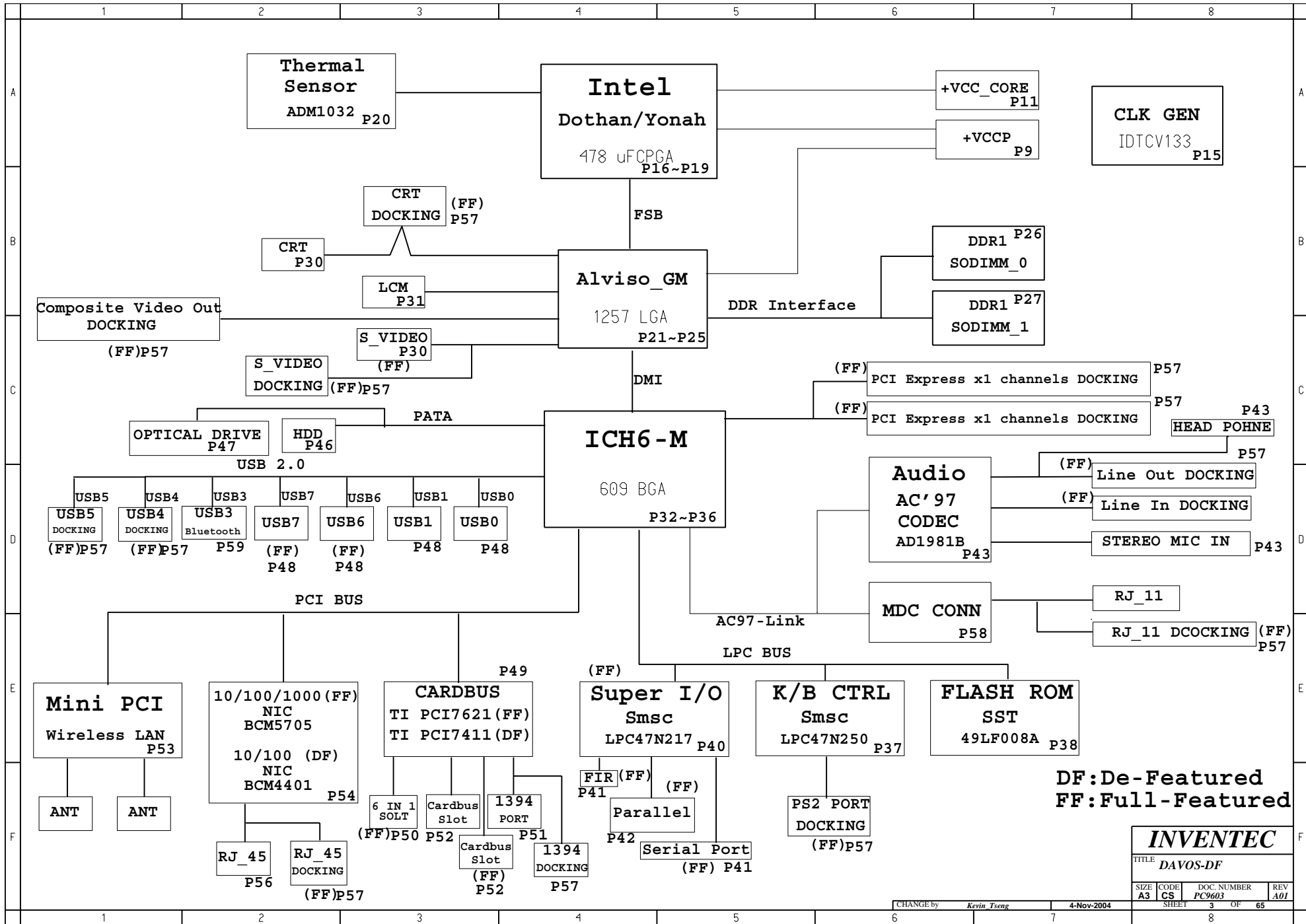
**INVENTEC**

TITLE *DAVOS-DF*

SIZE	CODE	DOC. NUMBER	REV
A3	CS	PC9603	A01

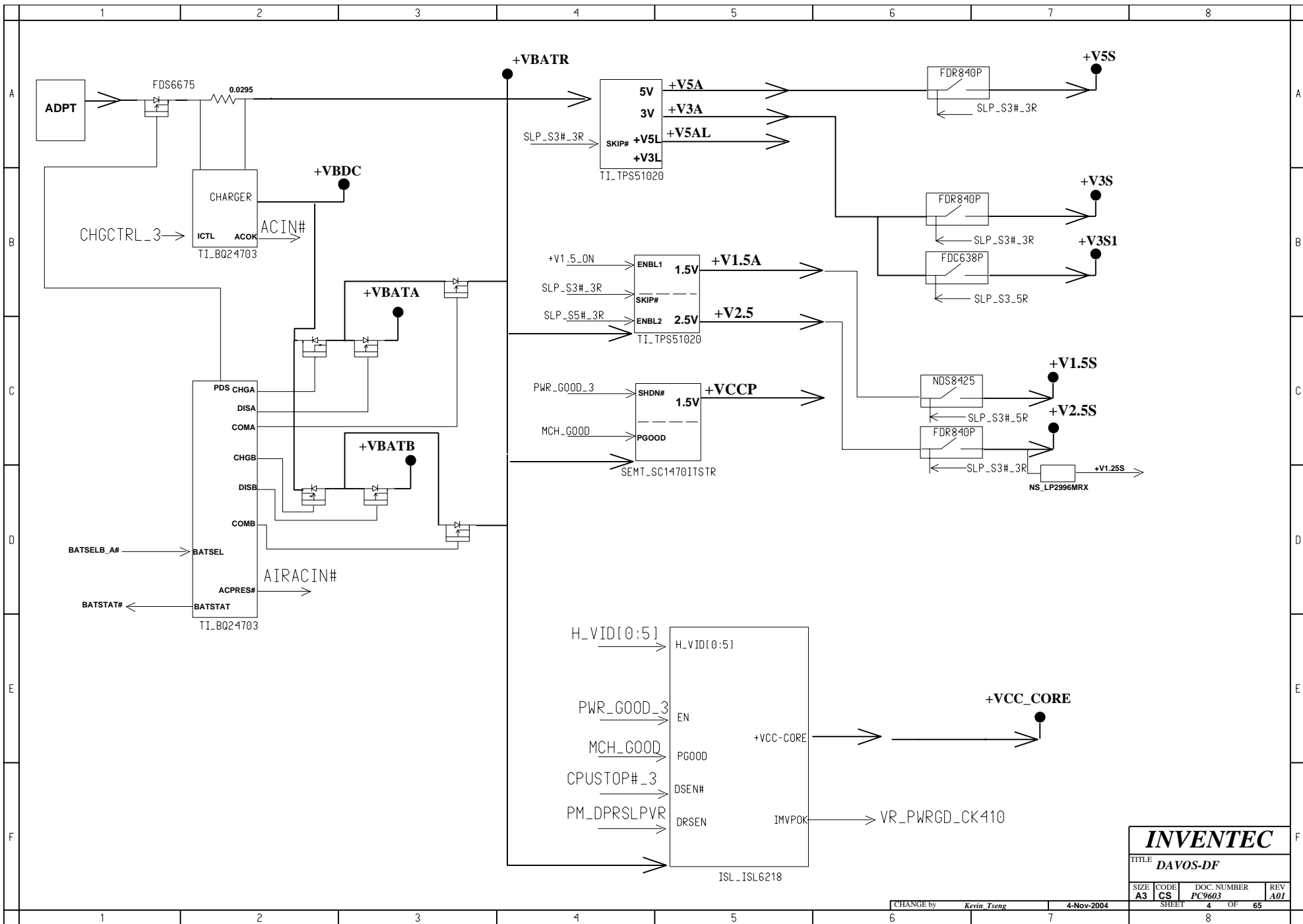
CHANGE by *Kevin Tseng* 4-Nov-2004

SHEET 2 OF 65



**DF:De-Featured**  
**FF:Full-Featured**

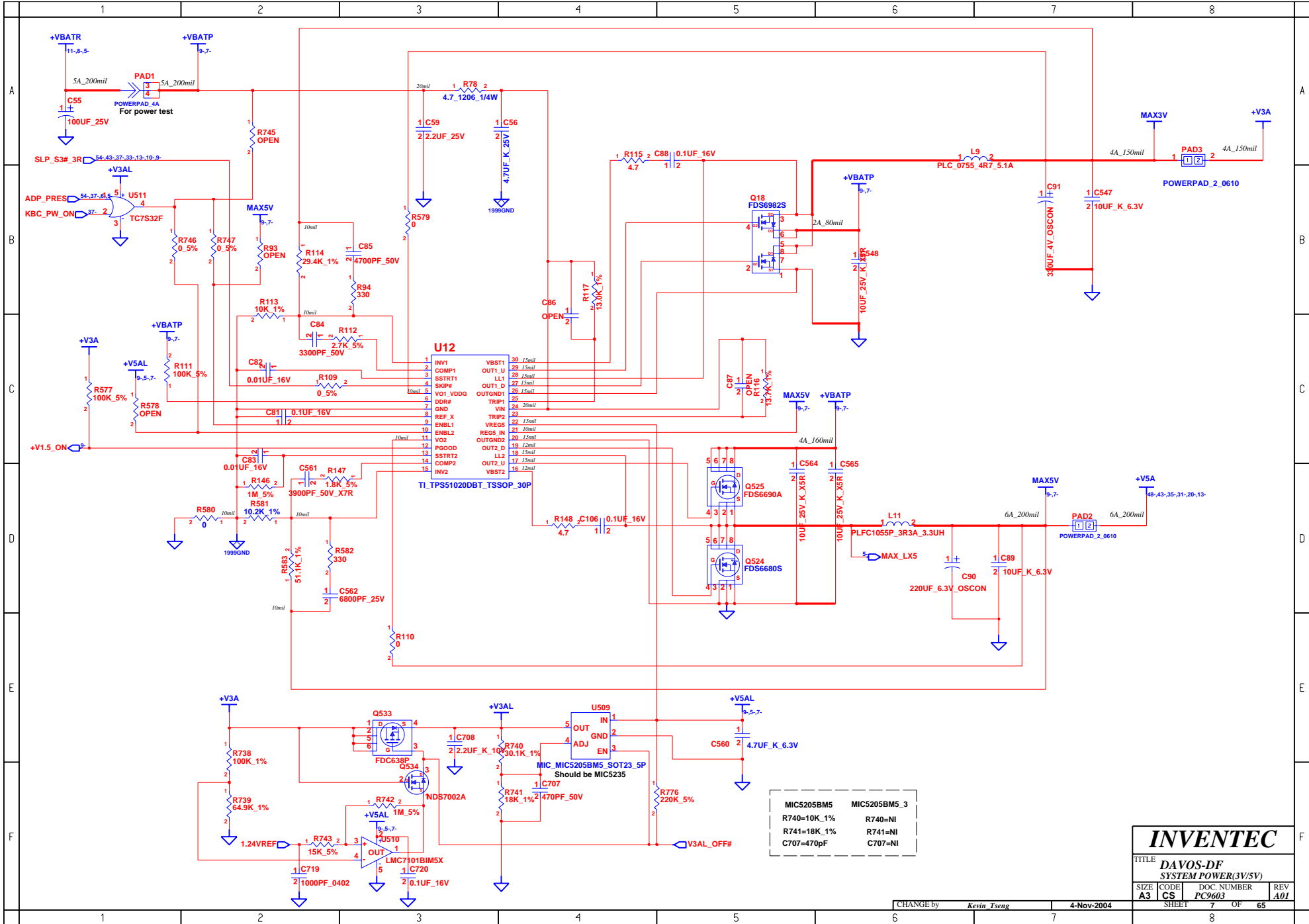
<b>INVENTEC</b>			
TITLE <b>DAVOS-DF</b>			
SIZE <b>A3</b>	CODE <b>CS</b>	DOC. NUMBER <b>PC9603</b>	REV <b>A01</b>
SHEET <b>3</b>		OF <b>65</b>	



<b>INVENTEC</b>			
TITLE <b>DAVOS-DF</b>			
SIZE <b>A3</b>	CODE <b>CS</b>	DOC. NUMBER <b>PC9603</b>	REV <b>A01</b>
CHANGE by <i>Kevin Tseng</i>		4-Nov-2004	
SHEET 4		OF 65	



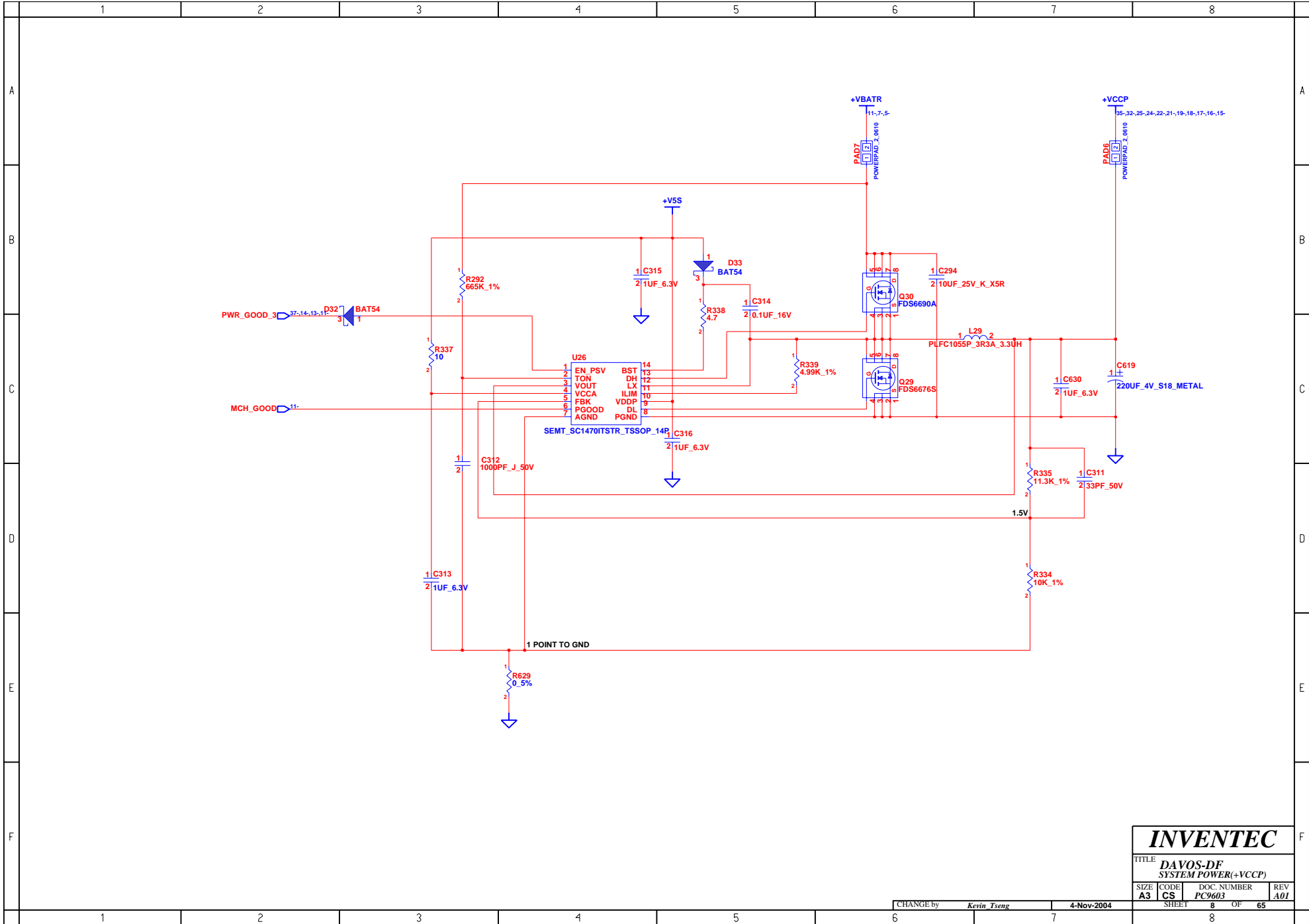




MIC5205BMS	MIC5205BMS_3
R740=10K_1%	R740=NI
R741=18K_1%	R741=NI
C707=470pF	C707=NI

<b>INVENTEC</b>			
TITLE: DAVOS-DF SYSTEM POWER(3V/5V)			
SIZE	CODE	DOC. NUMBER	REV
A3	CS	PC9603	A01

CHANGE by: Kevin Tseng 4-Nov-2004



**INVENTEC**

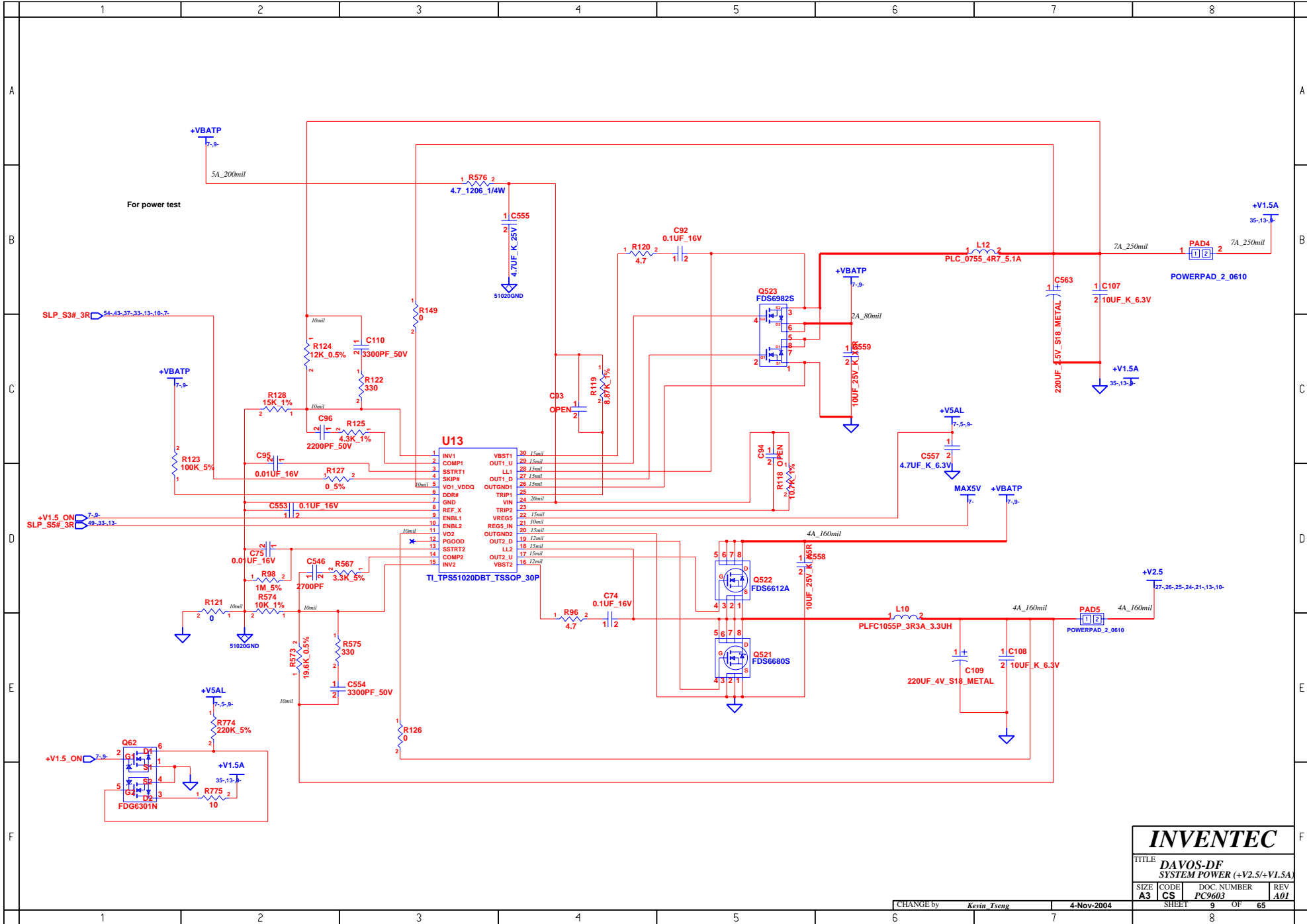
TITLE  
**DAVOS-DF  
 SYSTEM POWER(+VCCP)**

SIZE <b>A3</b>	CODE <b>CS</b>	DOC. NUMBER <b>PC9603</b>	REV <b>A01</b>
-------------------	-------------------	------------------------------	-------------------

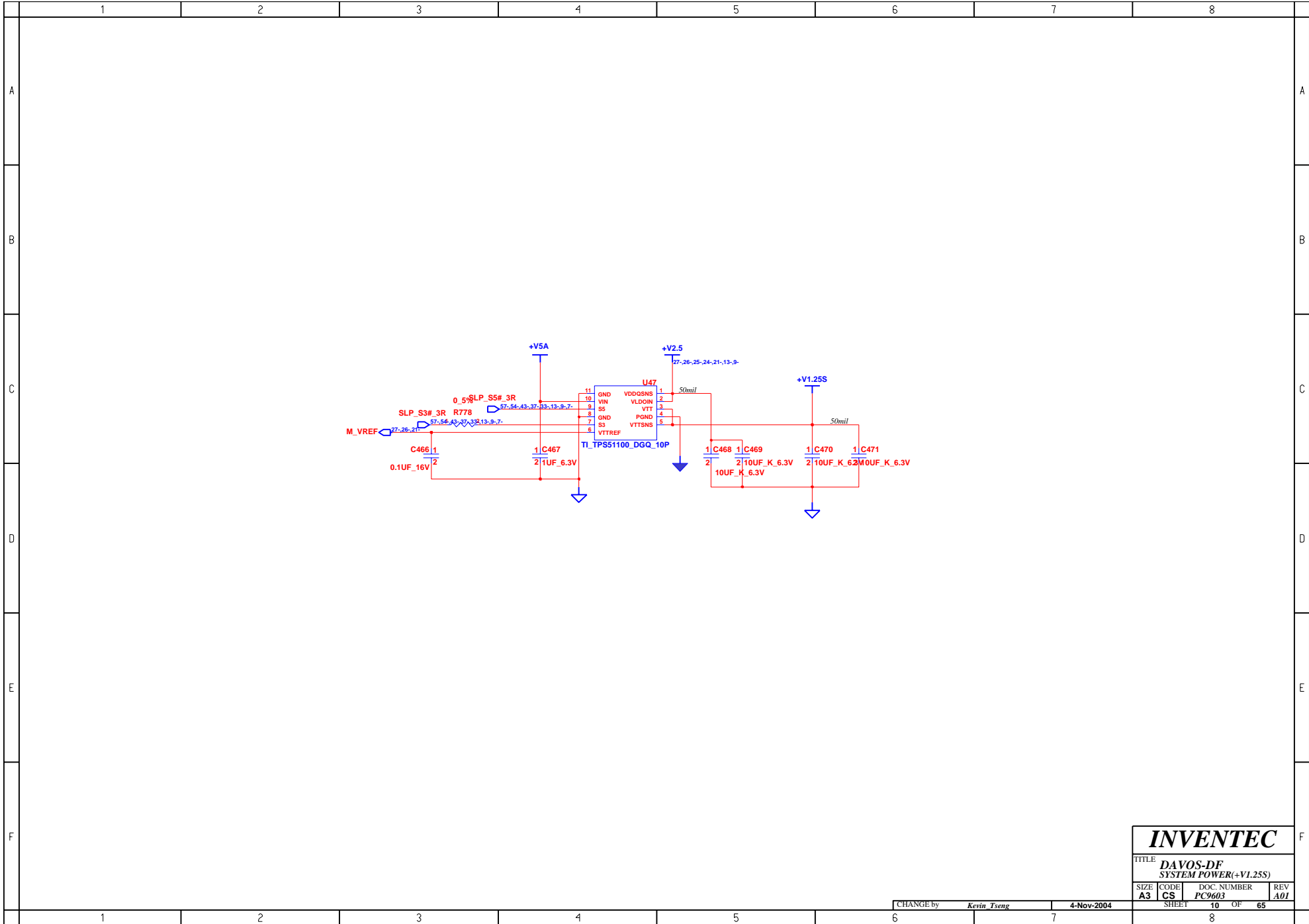
CHANGE by *Kevin Tseng* 4-Nov-2004

SHEET 8 OF 65





<b>INVENTEC</b>				
TITLE <b>DAVOS-DF</b> SYSTEM POWER (+V2.5/+V1.5A)				
SIZE <b>A3</b>	CODE <b>CS</b>	DOC. NUMBER <b>PC9603</b>	REV <b>A01</b>	



**INVENTEC**

TITLE  
**DAVOS-DF  
 SYSTEM POWER(+V1.25S)**

SIZE <b>A3</b>	CODE <b>CS</b>	DOC. NUMBER <b>PC9603</b>	REV <b>A01</b>
-------------------	-------------------	------------------------------	-------------------

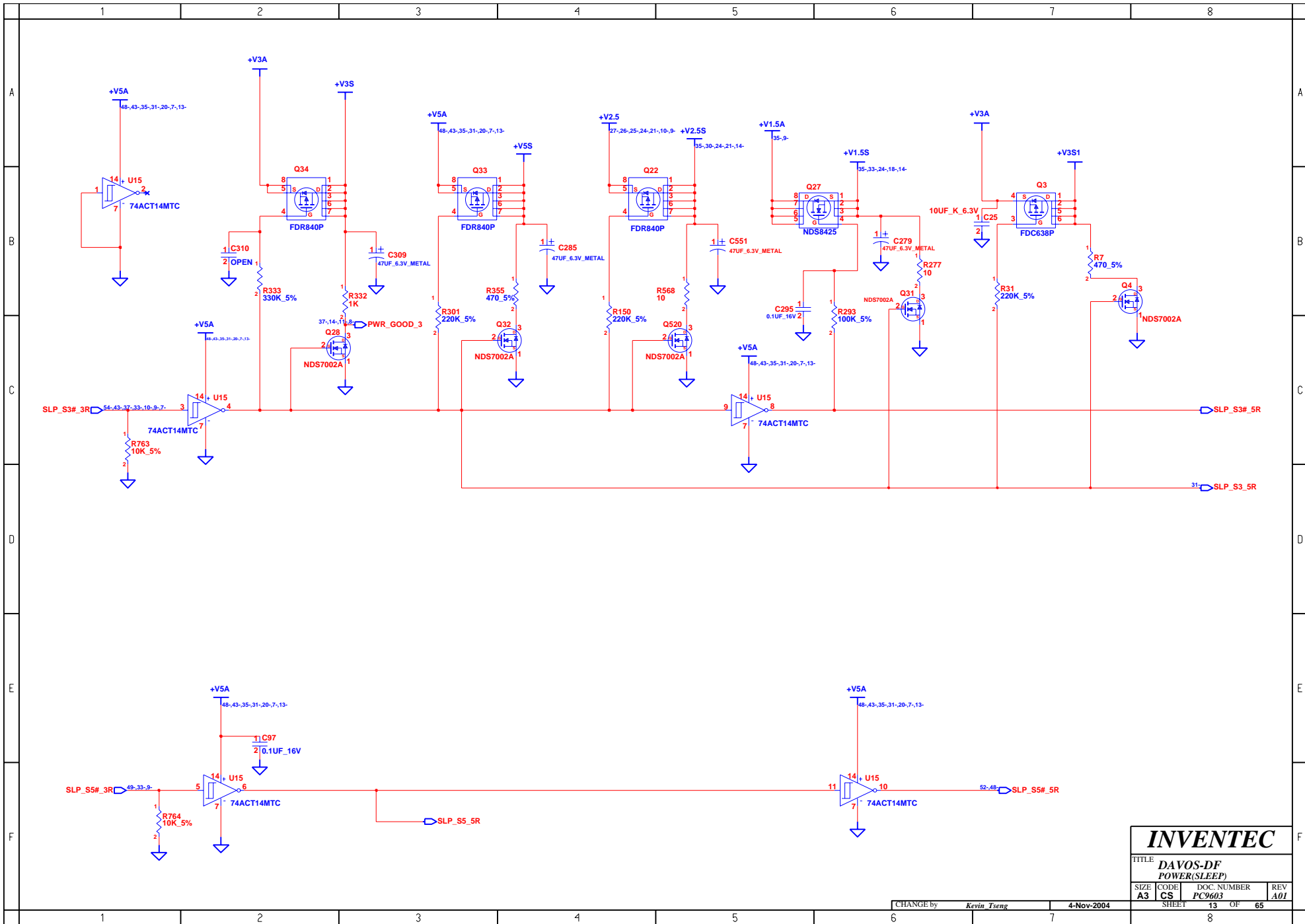
CHANGE by *Kevin Tseng* 4-Nov-2004

SHEET 10 OF 65



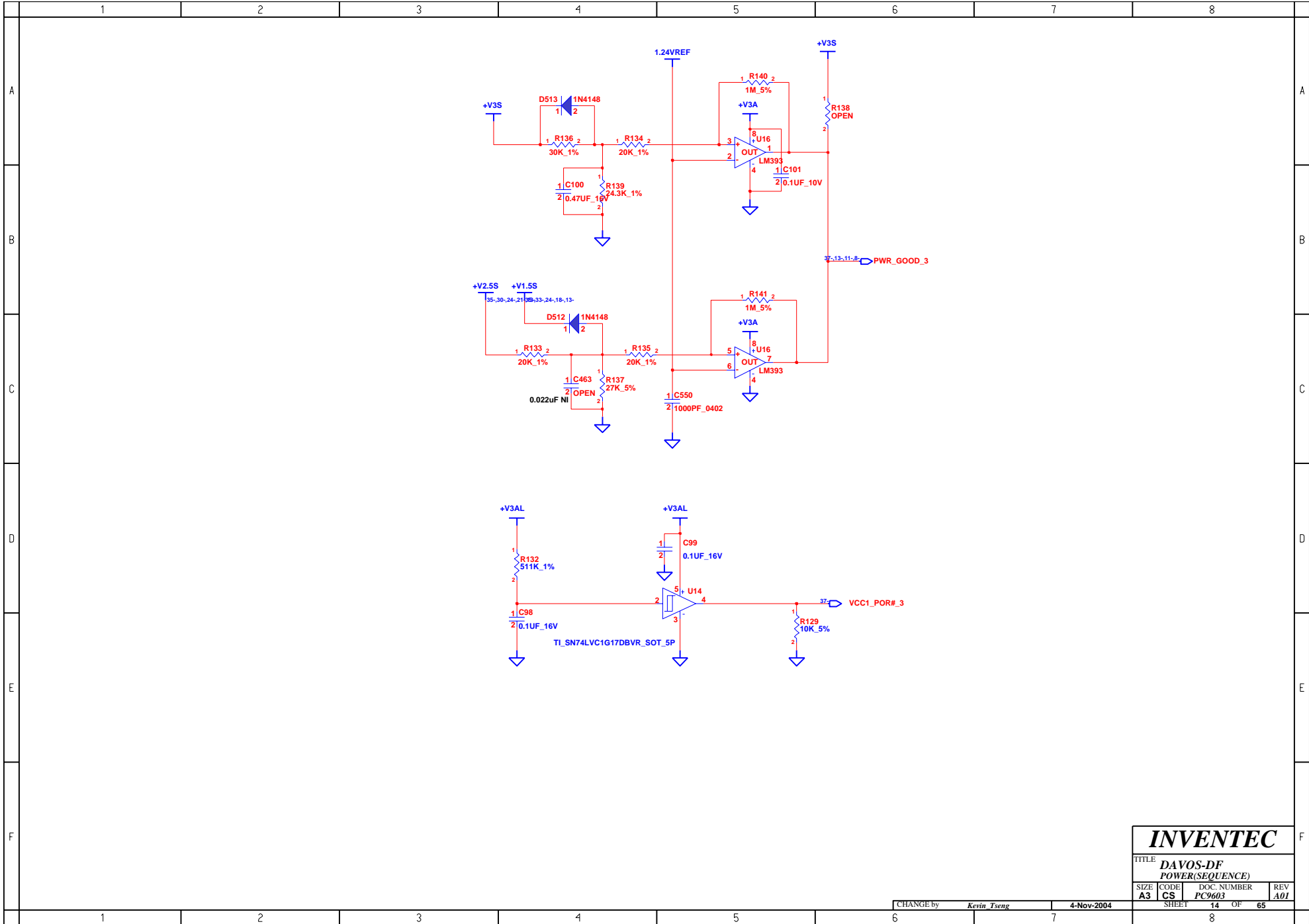
**BLANK**

<b>INVENTEC</b>			
TITLE <b>DAVOS-DF</b>			
SIZE	CODE	DOC. NUMBER	REV
<b>A3</b>	<b>CS</b>	<b>PC9603</b>	<b>A01</b>
CHANGE by <i>Kevin Tseng</i>		4-Nov-2004	SHEET 12 OF 65



**INVENTEC**

TITLE			
DAVOS-DF POWER(SLEEP)			
SIZE	CODE	DOC. NUMBER	REV
A3	CS	PC9603	A01



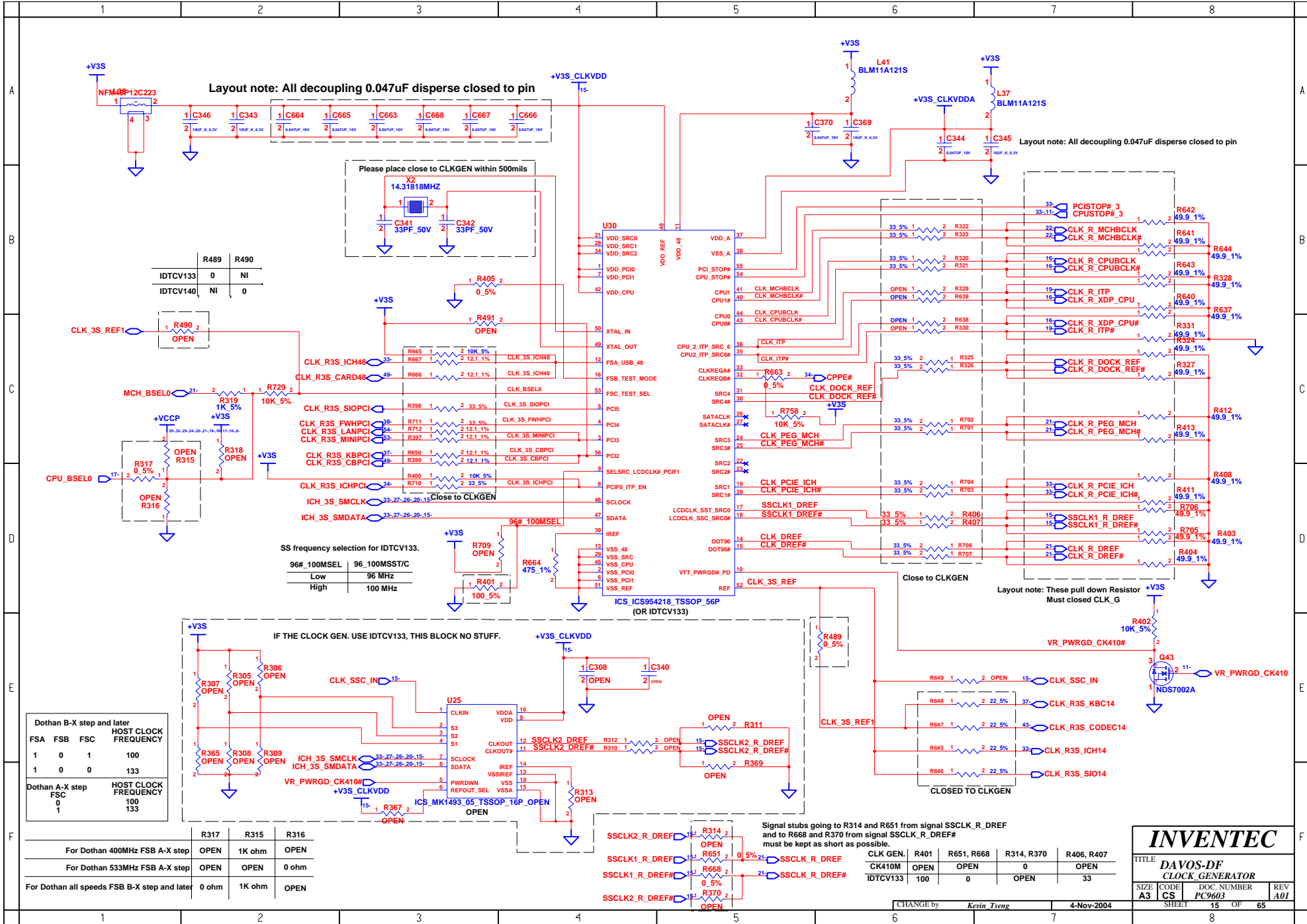
**INVENTEC**

TITLE  
**DAVOS-DF  
 POWER(SEQUENCE)**

SIZE <b>A3</b>	CODE <b>CS</b>	DOC. NUMBER <b>PC9603</b>	REV <b>A01</b>
-------------------	-------------------	------------------------------	-------------------

CHANGE by *Kevin Tseng* 4-Nov-2004

SHEET 14 OF 65



**INVENTEC**

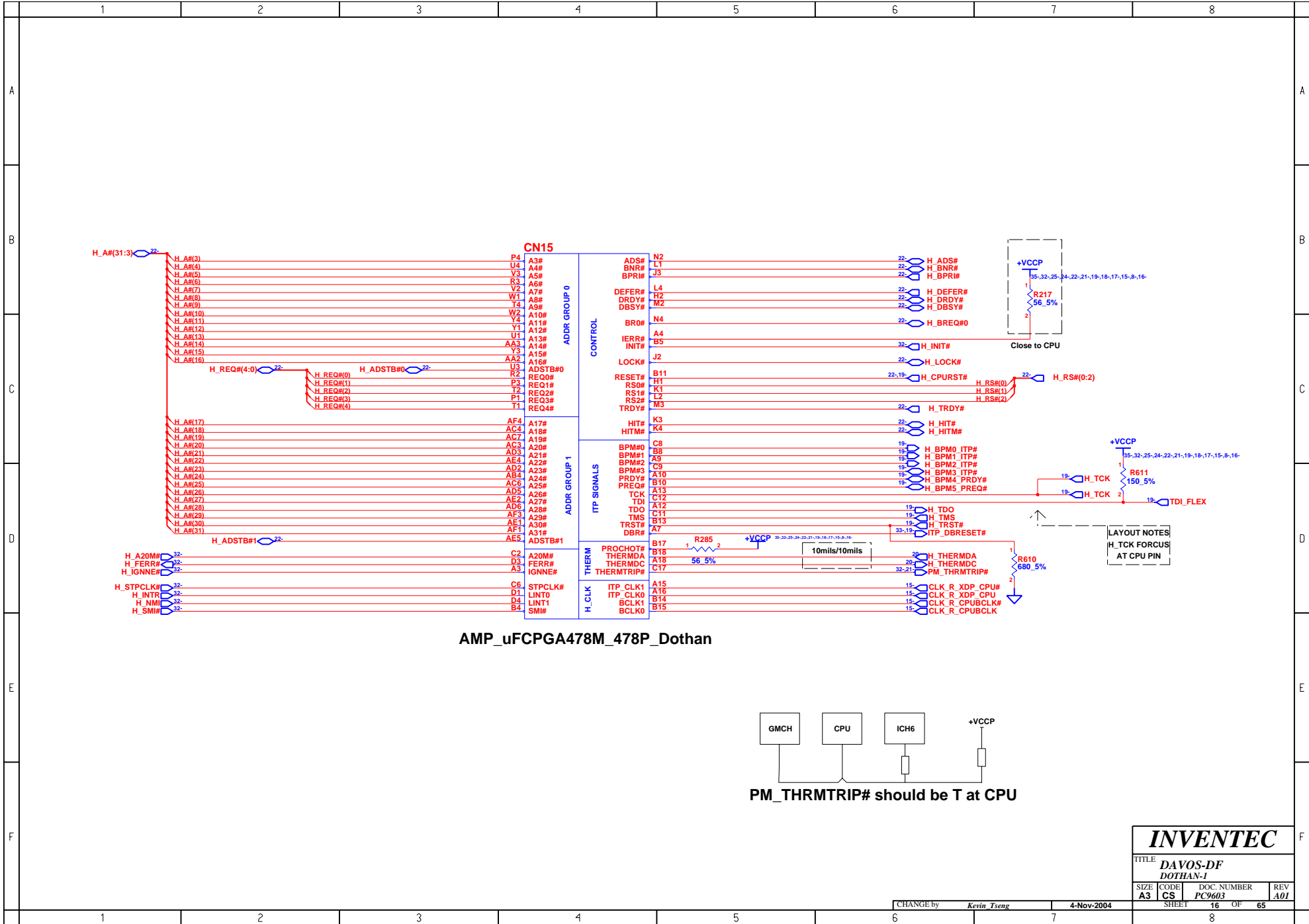
TITLE: **DAVOS-DF**  
CLOCK GENERATOR

SIZE	CODE	DOC. NUMBER	REV
A3	CS	PC9603	A01

CHANGE by: Kevin Tseng 4-Nov-2004

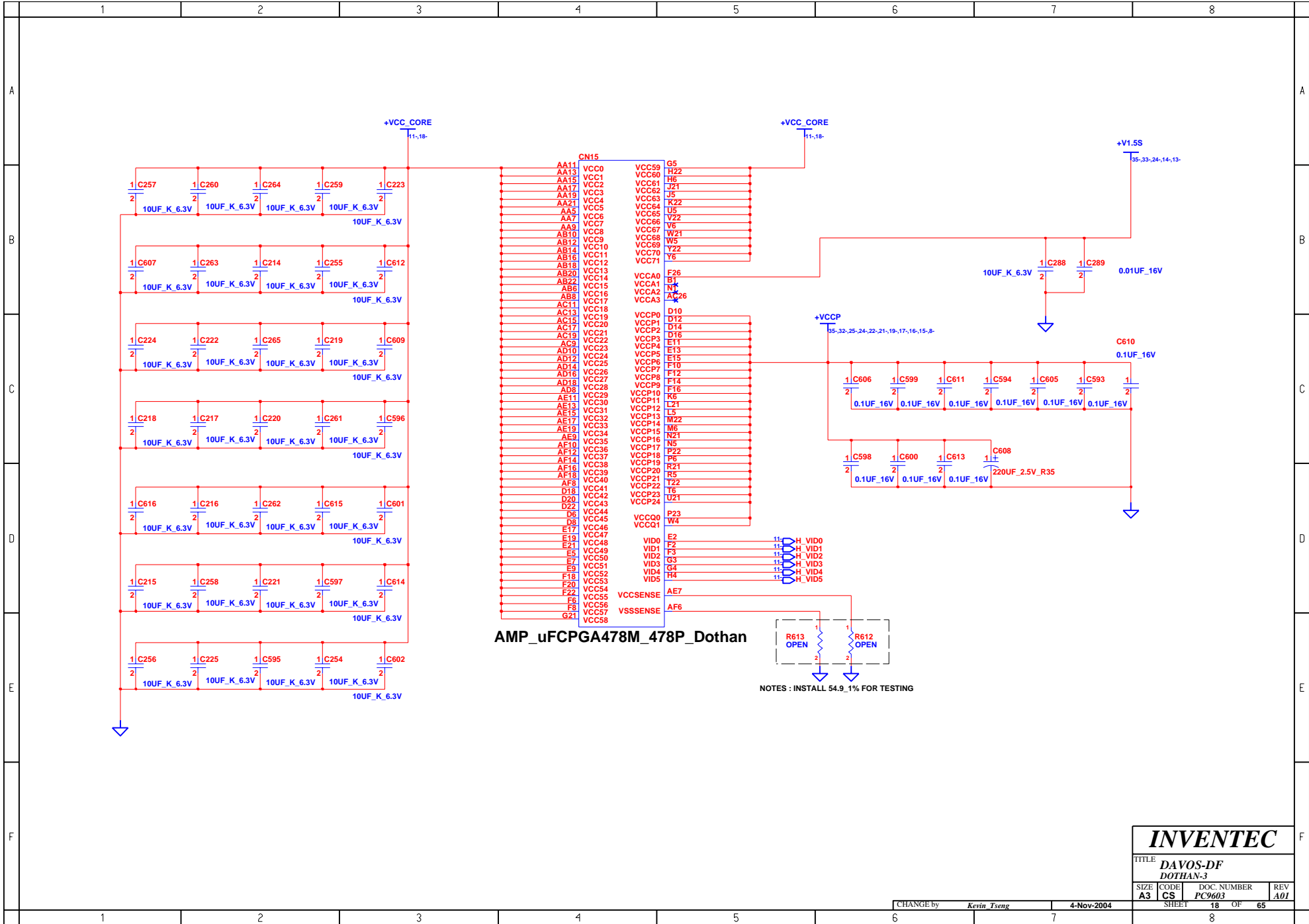
SHEET 15 OF 65

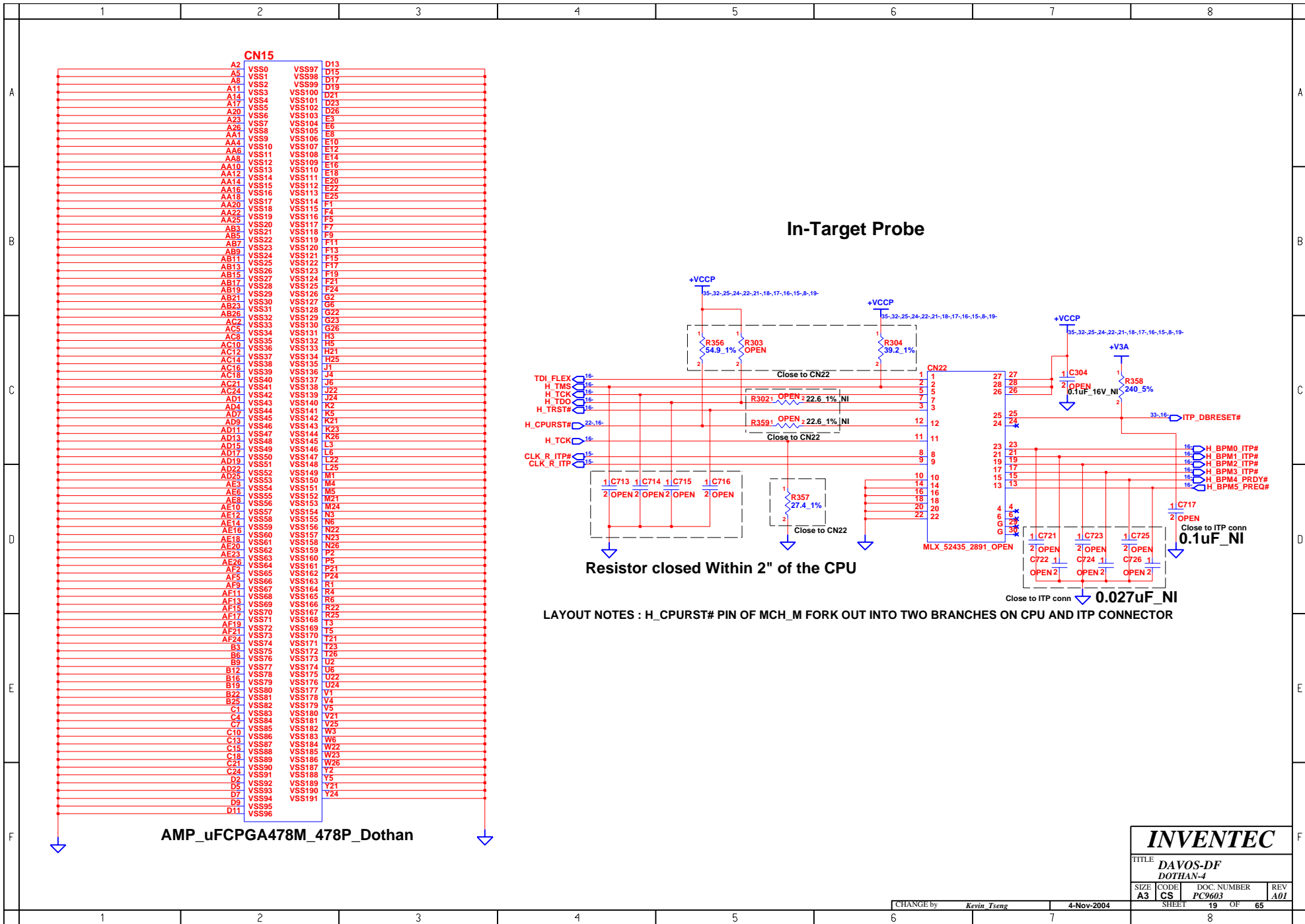
8



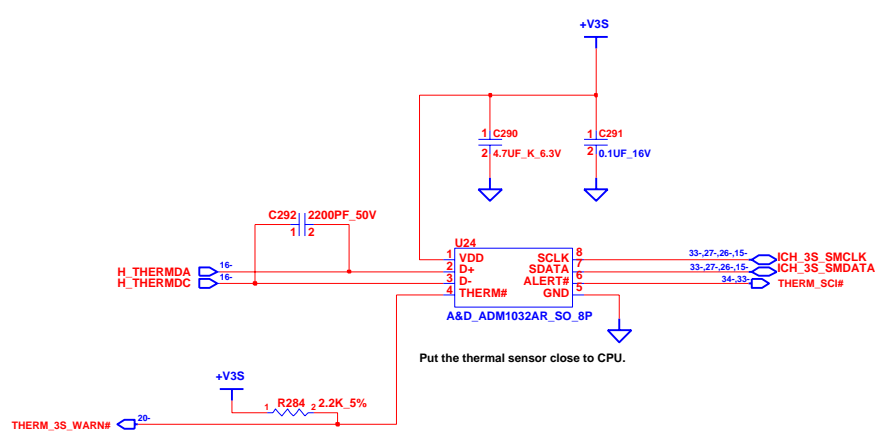
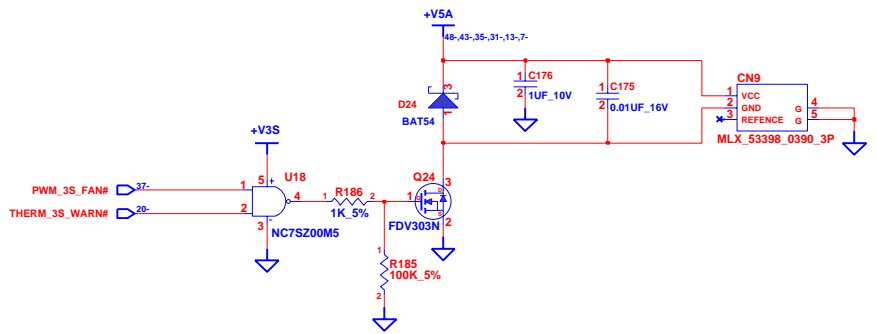






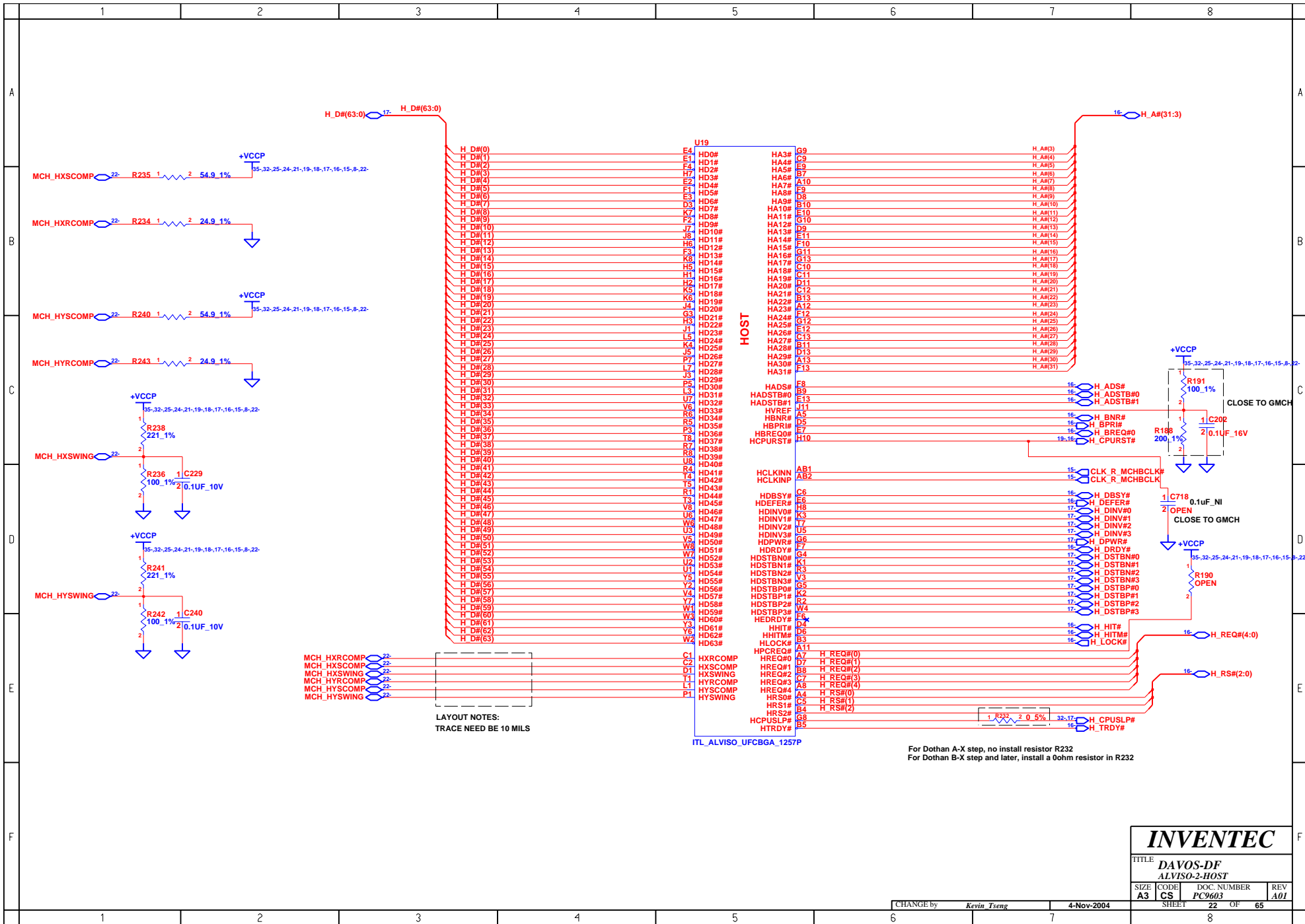


<b>INVENTEC</b>			
TITLE DAVOS-DF DOTHAN-4			
SIZE A3	CODE CS	DOC. NUMBER PC9603	REV A01
CHANGE by Kevin Tseng		4-Nov-2004	SHEET 19 OF 65



<b>INVENTEC</b>			
TITLE <b>DAVOS-DF THERMAL&amp;FAN CONTROLLER</b>			
SIZE <b>A3</b>	CODE <b>CS</b>	DOC. NUMBER <b>PC9603</b>	REV <b>A01</b>

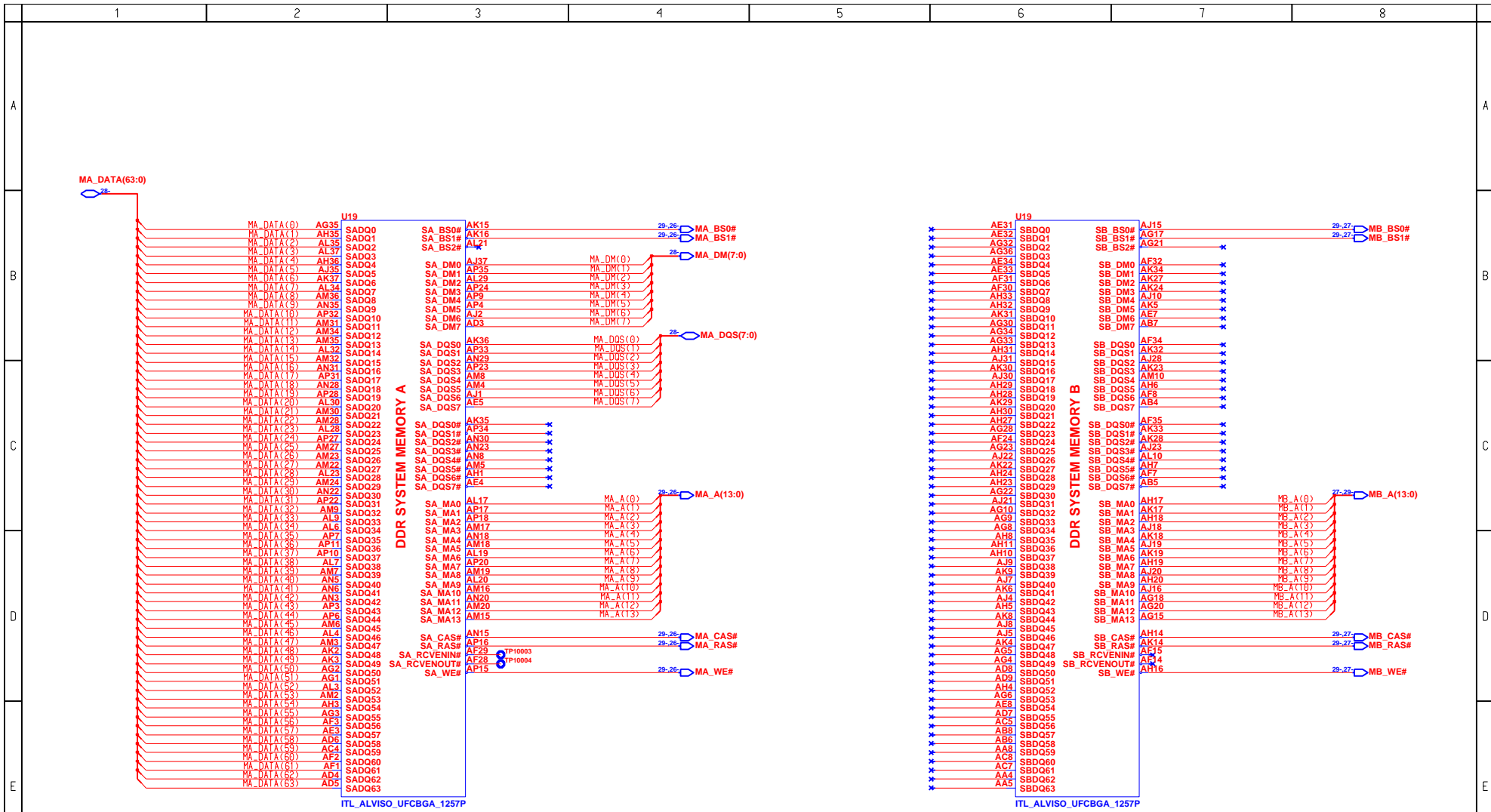




LAYOUT NOTES:  
TRACE NEED BE 10 MILS

For Dothan A-X step, no install resistor R232  
For Dothan B-X step and later, install a Dothm resistor in R232

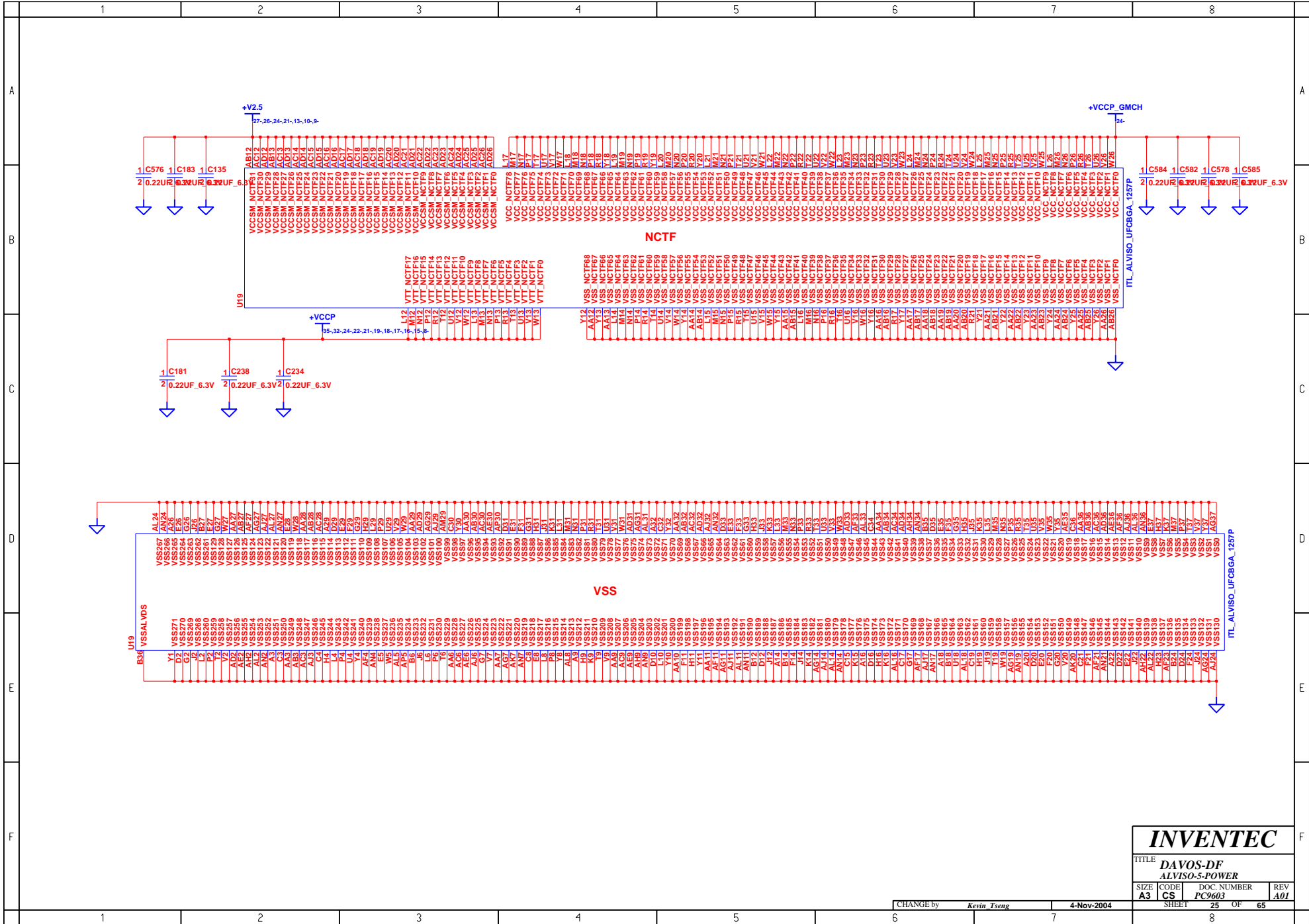
<b>INVENTEC</b>			
TITLE <b>DAVOS-DF ALVISO-2-HOST</b>			
SIZE	CODE	DOC. NUMBER	REV
A3	CS	PC9603	A01
CHANGE by		DATE	SHEET
Kevin Tseng		4-Nov-2004	22 OF 65



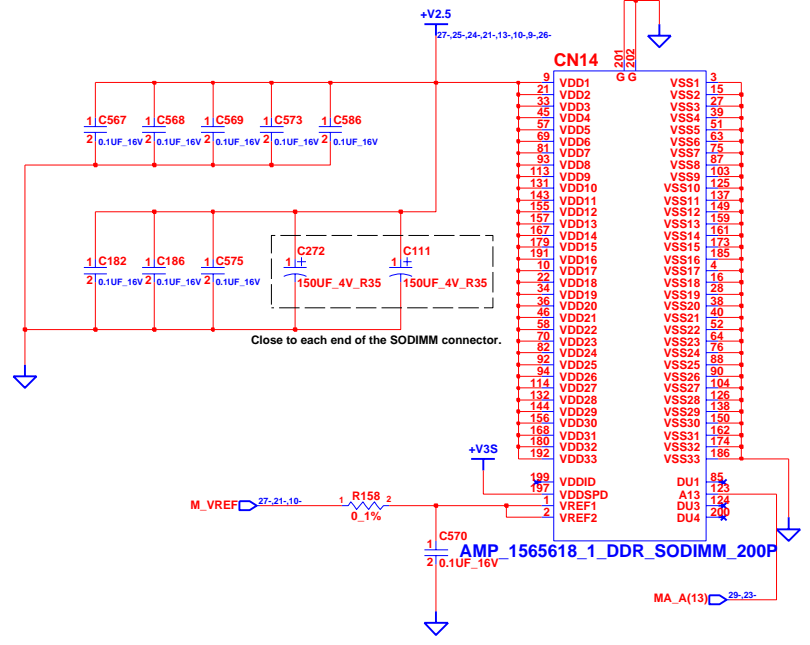
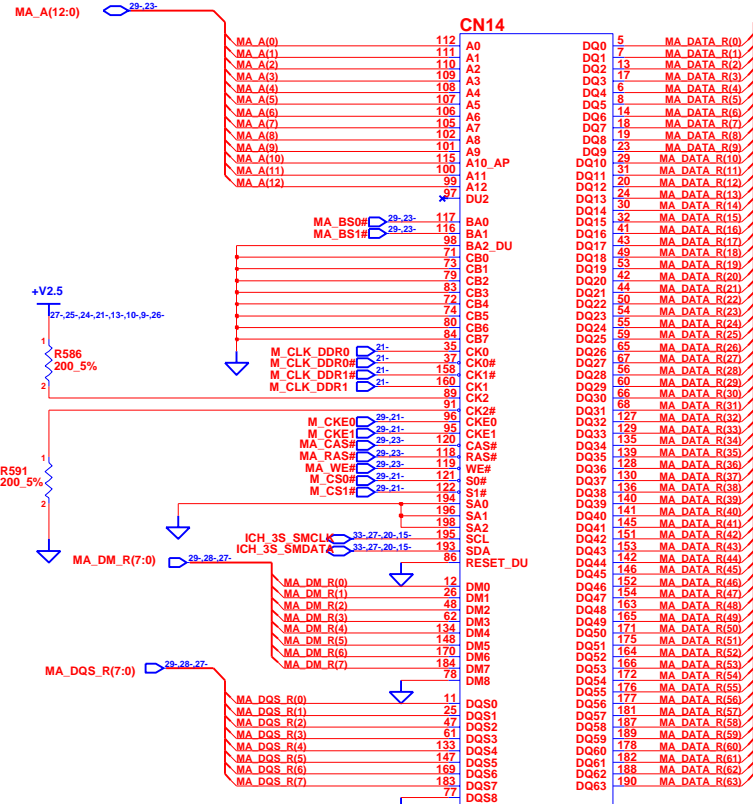
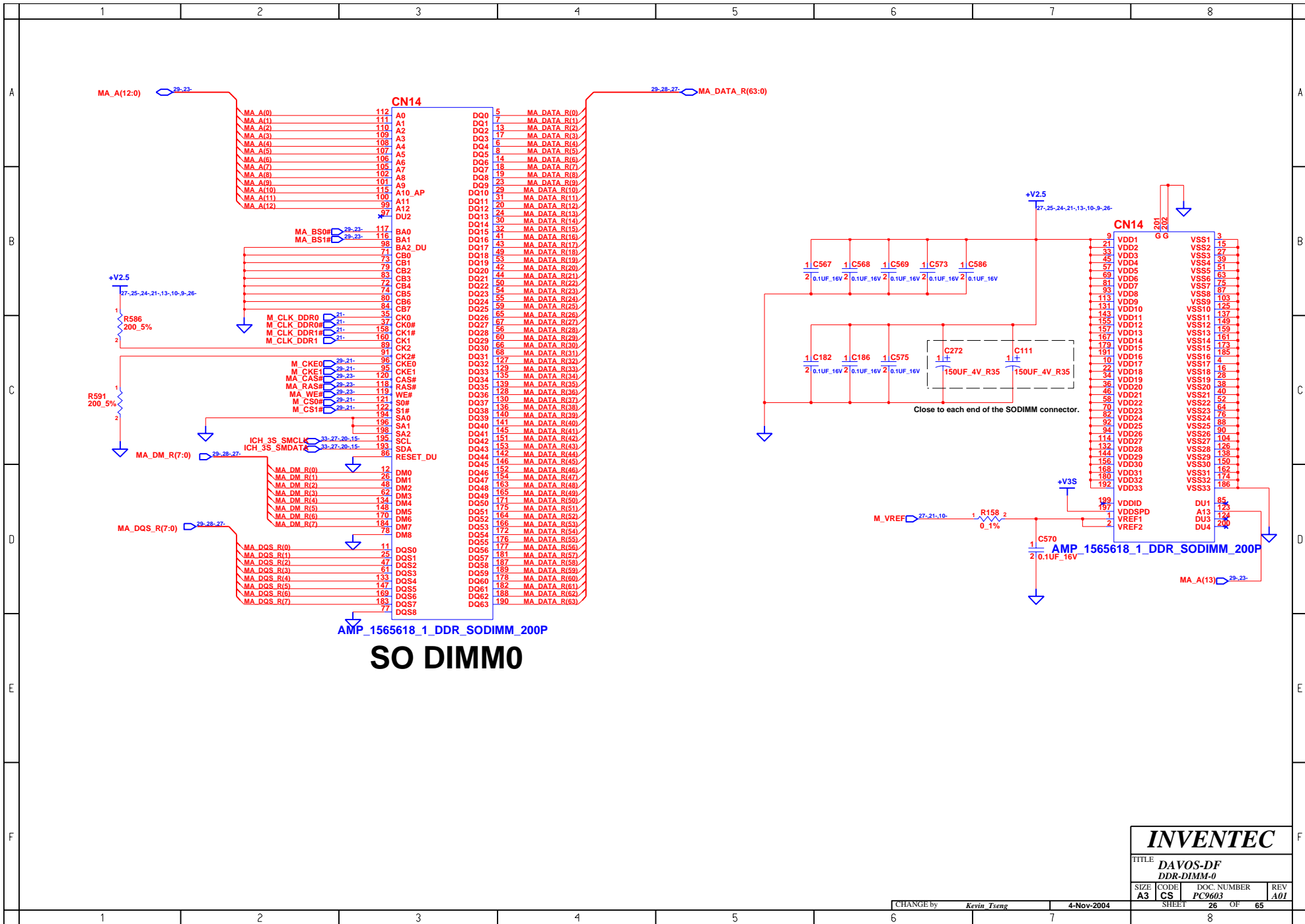
<b>INVENTEC</b>			
TITLE DAVOS-DF ALVISO-3-DDR			
SIZE A3	CODE CS	DOC. NUMBER PC9603	REV A01
CHANGE by Kevin Tseng		4-Nov-2004	
SHEET 23		OF 65	

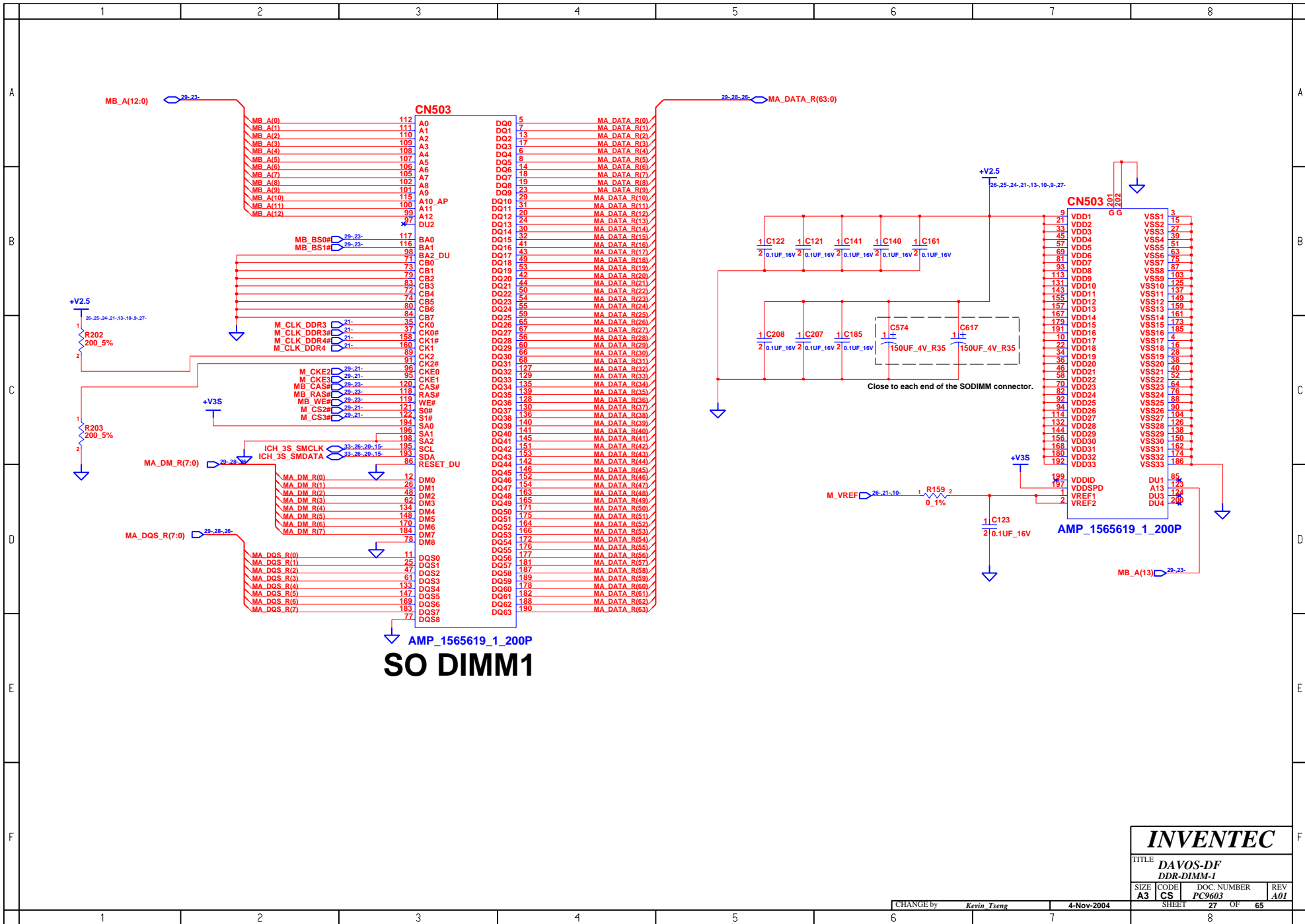






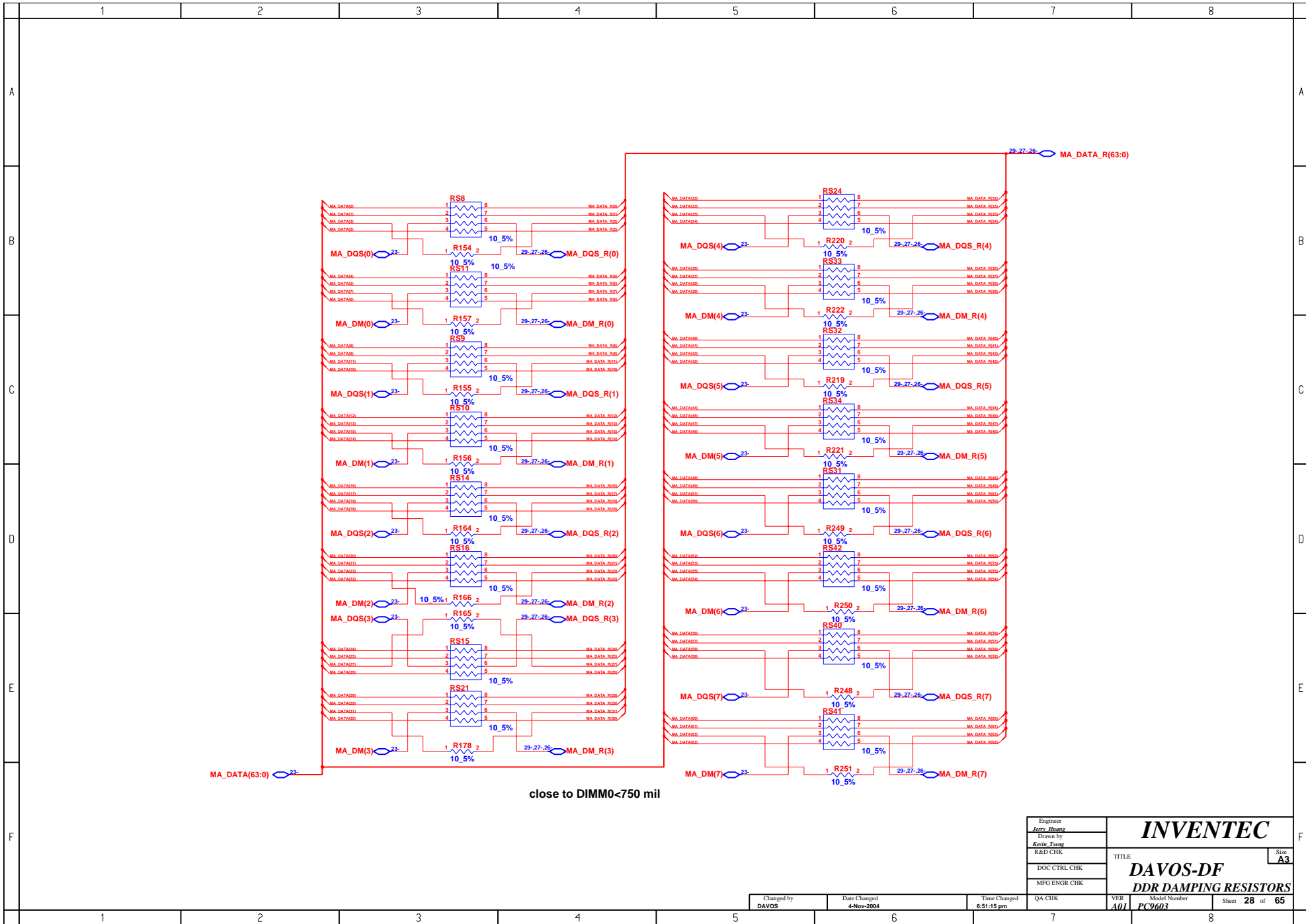
<b>INVENTEC</b>			
TITLE <b>DAVOS-DF ALVISO-5-POWER</b>			
SIZE <b>A3</b>	CODE <b>CS</b>	DOC. NUMBER <b>PC9603</b>	REV <b>A01</b>
CHANGE by <i>Kevin Tseng</i>		4-Nov-2004	
SHEET <b>25</b>		OF <b>65</b>	
		8	





**AMP\_1565619\_1\_200P**  
**SO DIMM1**

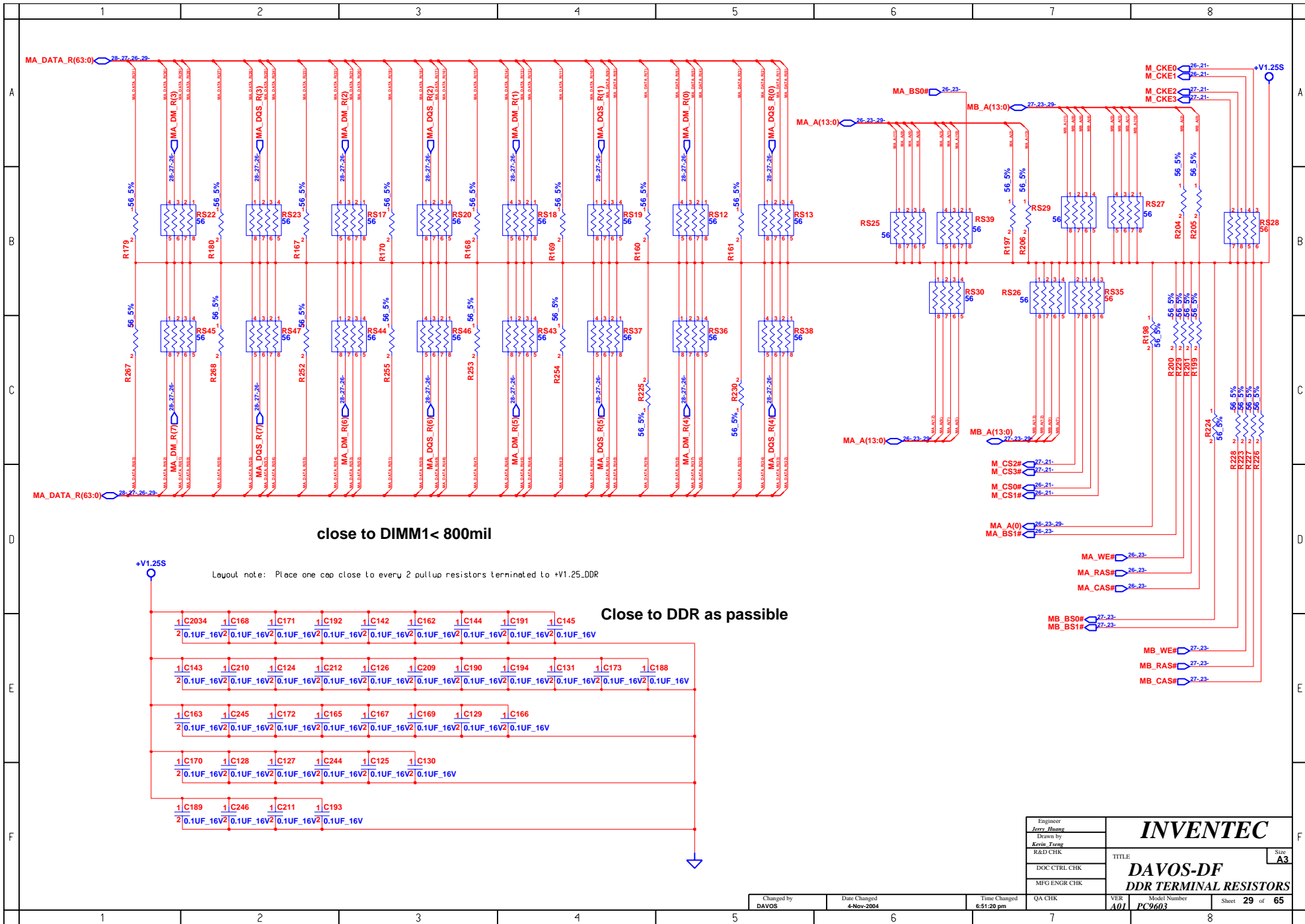
<b>INVENTEC</b>			
TITLE DAVOS-DF DDR-DIMM-1			
SIZE A3	CODE CS	DOC. NUMBER PC9603	REV A01
CHANGE by Kevin Tseng		4-Nov-2004	
SHEET 27		OF 65	



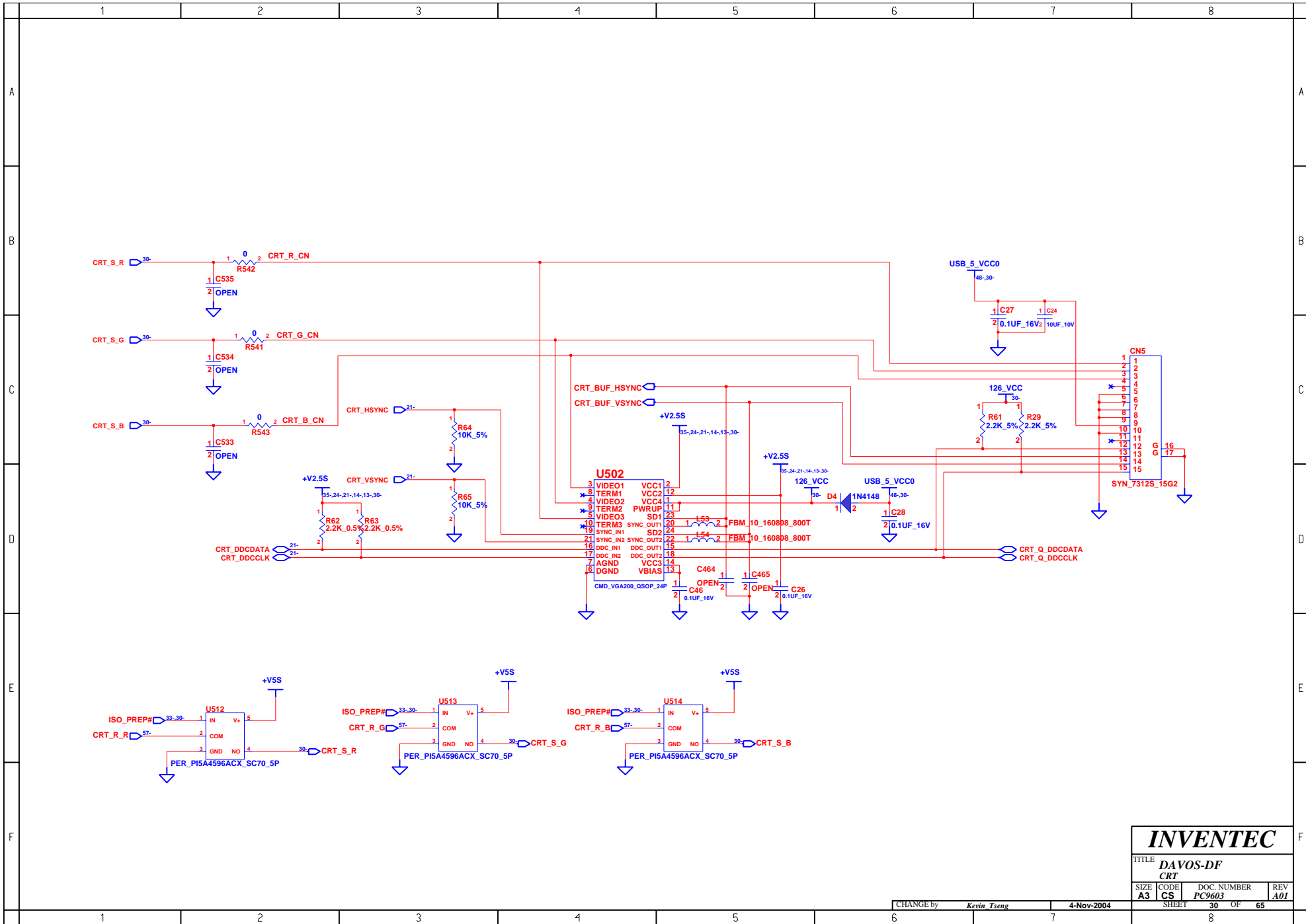
close to DIMM0<750 mil

Engineer <i>Jerry Huang</i>	<b>INVENTEC</b> TITLE: <b>DAVOS-DF</b> <b>DDR DAMPING RESISTORS</b> Size <b>A3</b>
Drawn by <i>Kevin Tseng</i>	
Re'D CHK	
DOC CTRL CHK	
MFG ENGR CHK	
Model Number <b>PC9603</b>	Sheet <b>28</b> of <b>65</b>

Changed by <b>DAVOS</b>	Date Changed <b>4-Nov-2004</b>	Time Changed <b>6:31:15 pm</b>	QA CHK	VER <b>A01</b>
----------------------------	-----------------------------------	-----------------------------------	--------	-------------------



Engineer Jerry Huang	QA CHK	VER A01	Model Number PC9603	Sheet 29 of 65
Drawn by Kevin Tseng	DOC CTRL CHK			
R&D CHK	MFG ENGR CHK			
TITLE: DAVOS-DF DDR TERMINAL RESISTORS				



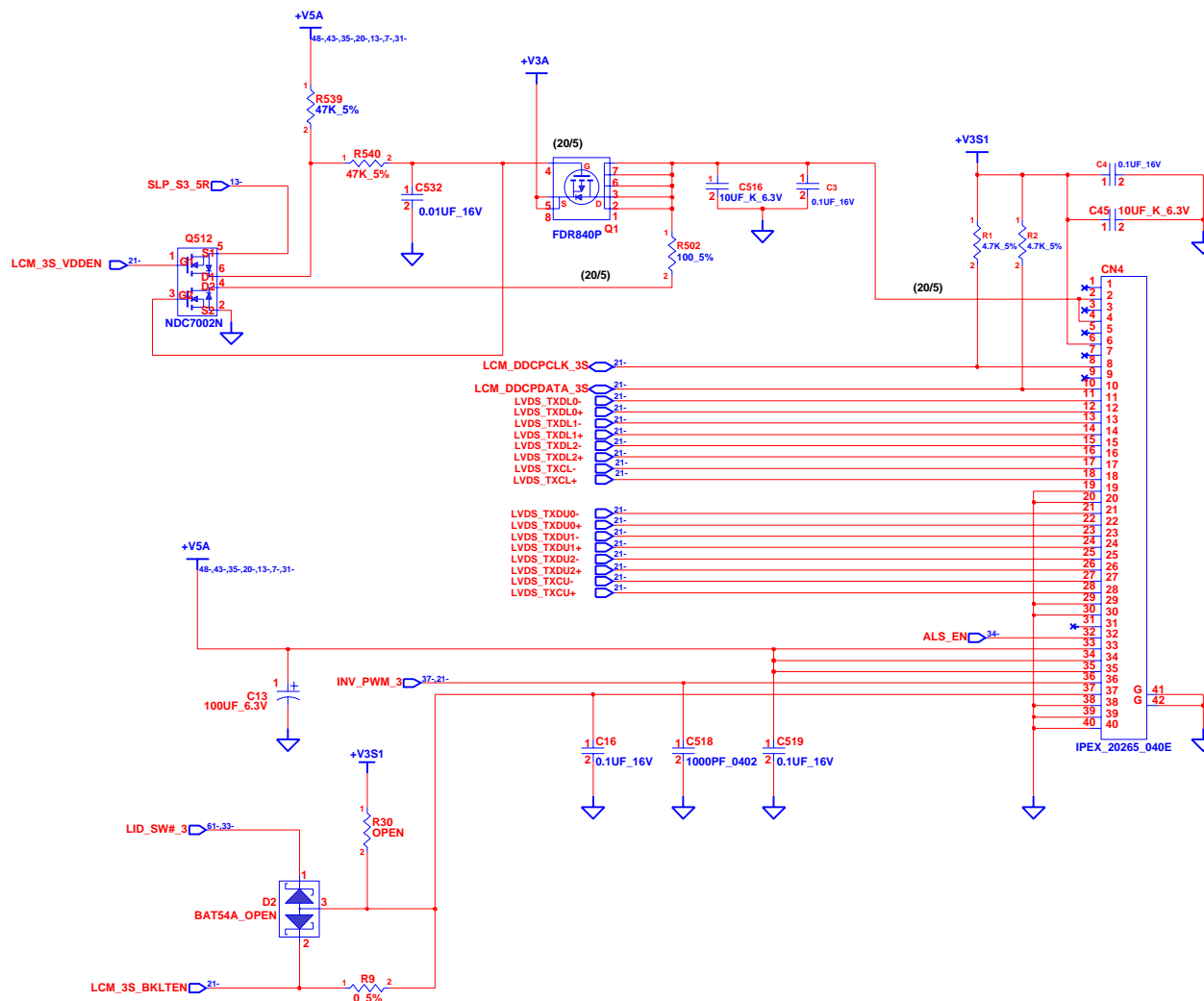
# INVENTEC

TITLE  
**DAVOS-DF**  
**CRT**

SIZE	CODE	DOC. NUMBER	REV
A3	CS	PC9603	A01

CHANGE by *Kevin Tseng* 4-Nov-2004  
 SHEET 30 OF 65

Place closed to connector

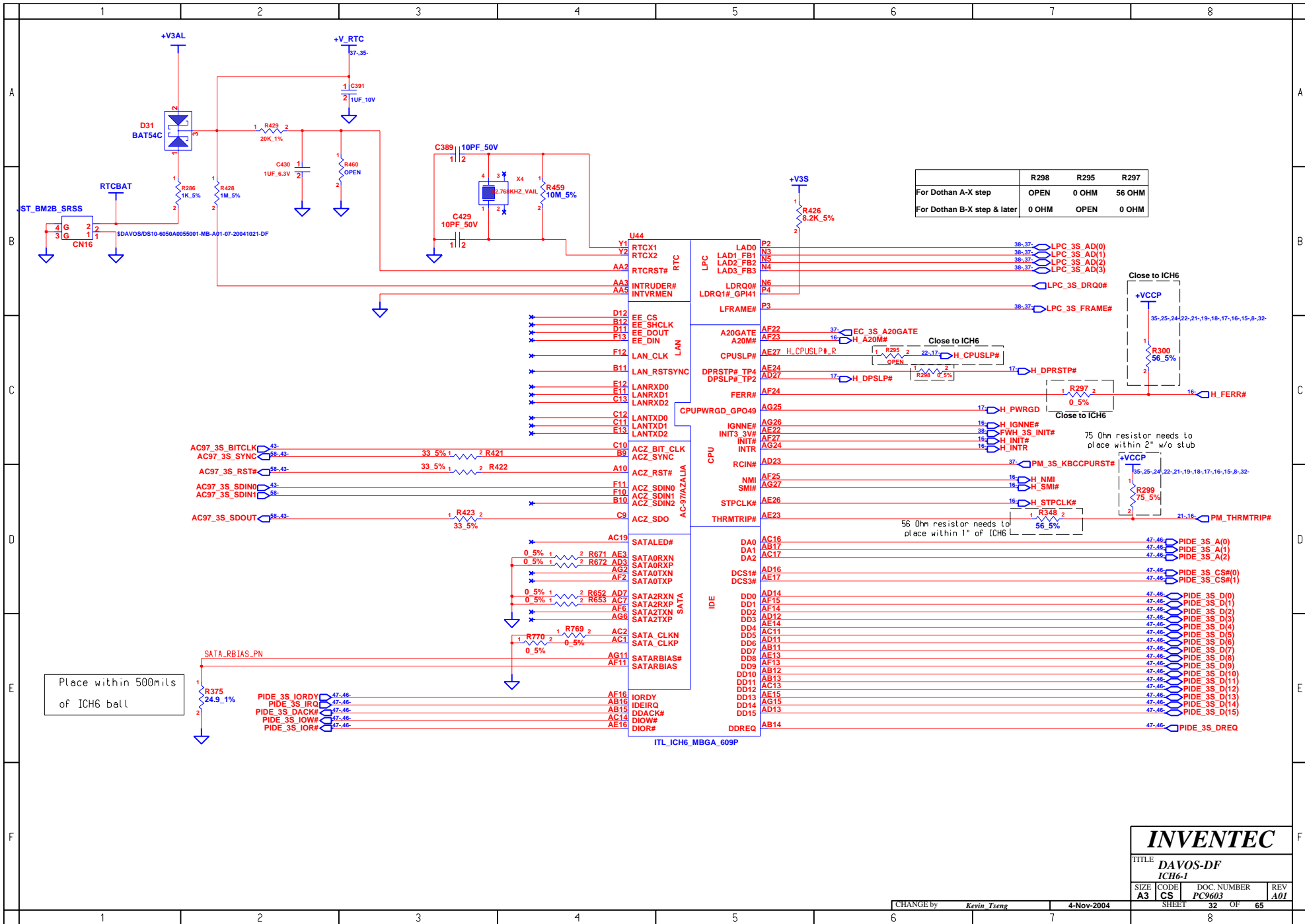


**INVENTEC**

TITLE			
DAVOS-DF			
LCD CONN			
SIZE	CODE	DOC. NUMBER	REV
A3	CS	PC9603	A01

CHANGE by Kevin Tseng 4-Nov-2004

SHEET 31 OF 65



	R298	R295	R297
For Dothan A-X step	OPEN	0 OHM	56 OHM
For Dothan B-X step & later	0 OHM	OPEN	0 OHM

# INVENTEC

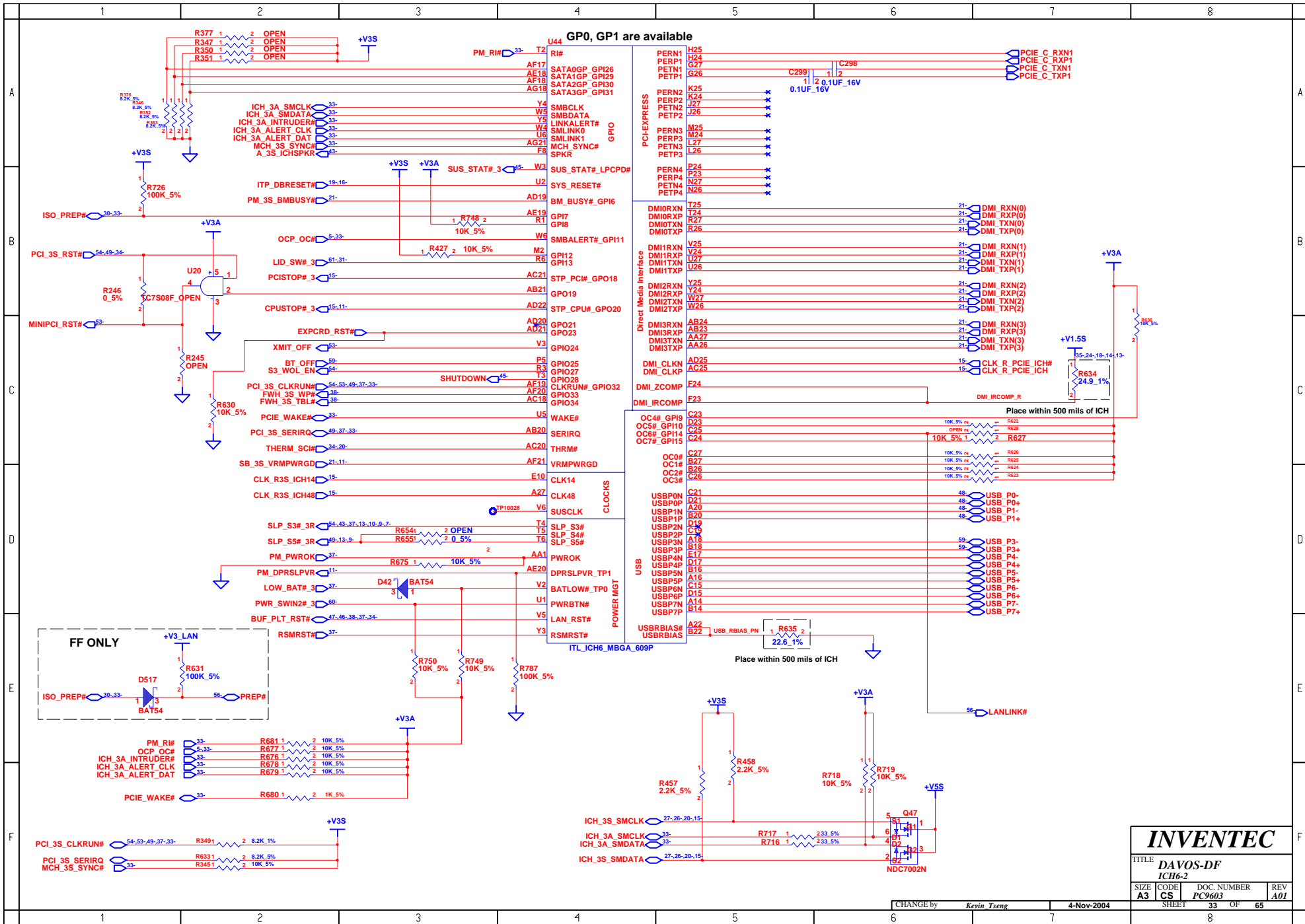
TITLE  
**DAVOS-DF**  
**ICH6-1**

SIZE	CODE	DOC. NUMBER	REV
A3	CS	PC9603	A01

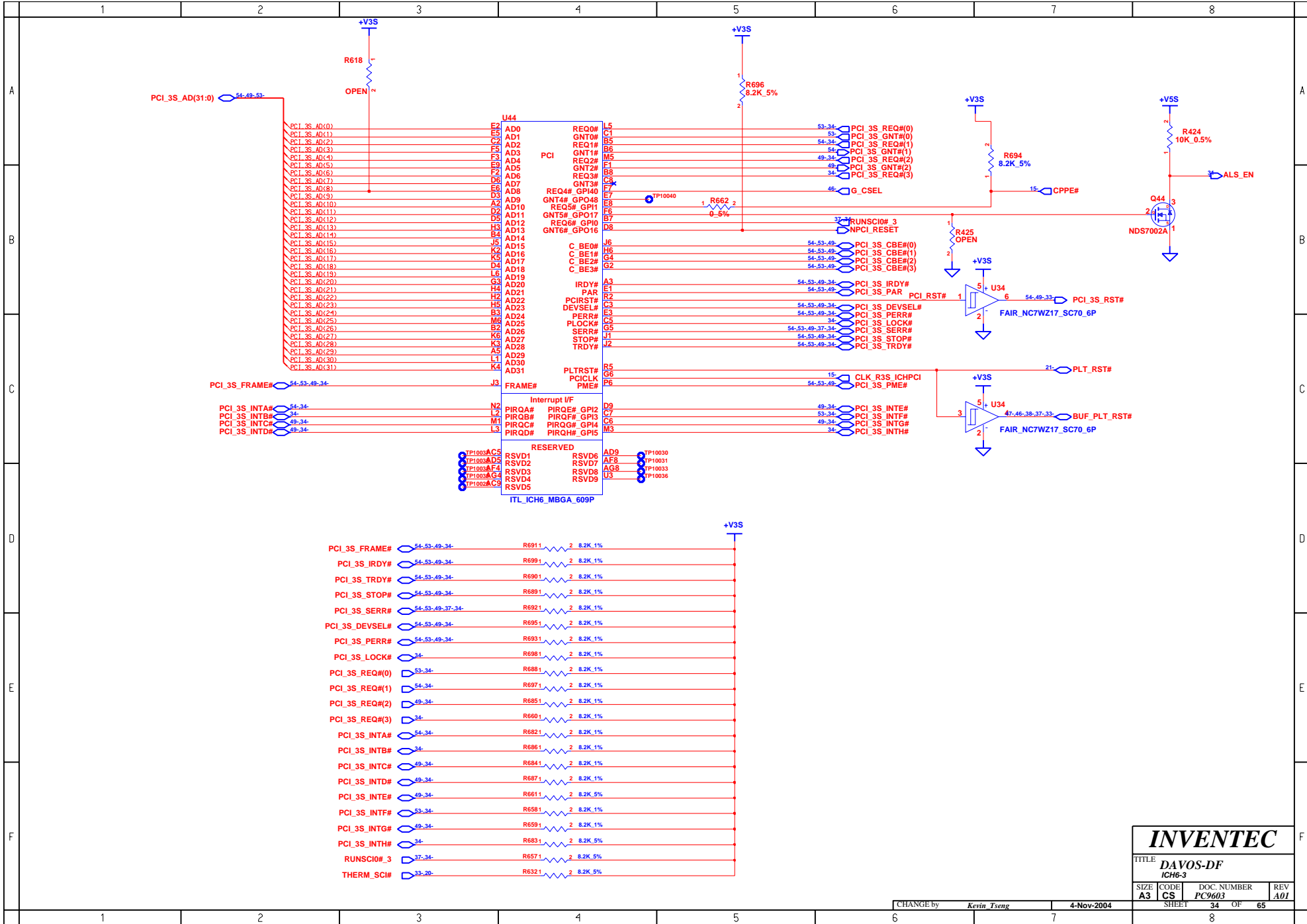
CHANGE by *Kevin Tseng* 4-Nov-2004

SHEET 32 OF 65

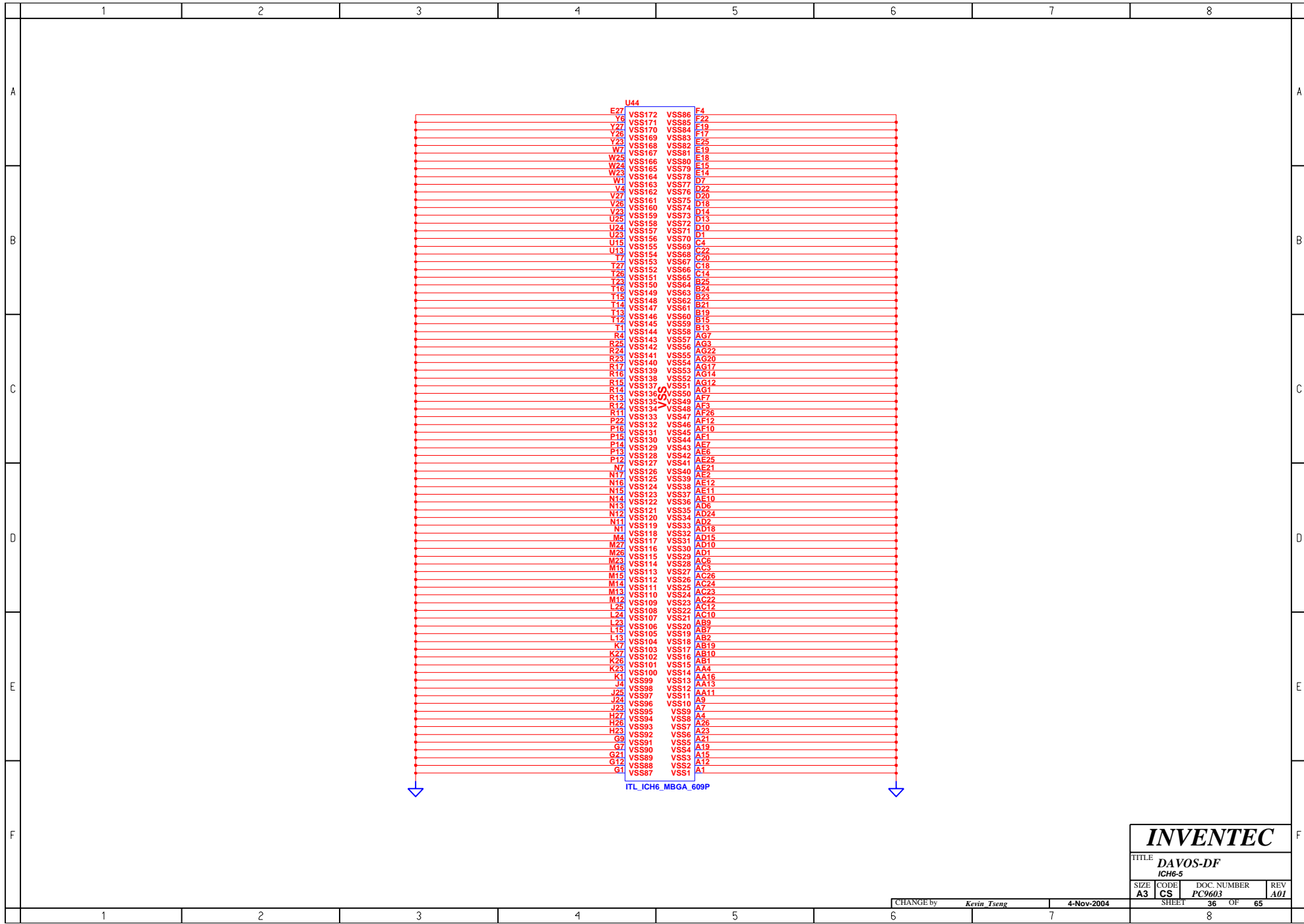




<b>INVENTEC</b>			
TITLE <b>DAVOS-DF ICH6-2</b>			
SIZE <b>A3</b>	CODE <b>CS</b>	DOC. NUMBER <b>PC9603</b>	REV <b>A01</b>
CHANGE by <i>Kevin Tseng</i>		4-Nov-2004	
SHEET <b>33</b>		OF <b>65</b>	
8		8	







U44

E27 VSS172 VSS86 F4  
 Y7 VSS171 VSS85 F22  
 Y26 VSS170 VSS84 F17  
 Y23 VSS169 VSS83 E25  
 W7 VSS168 VSS82 E19  
 W25 VSS167 VSS81 E18  
 W24 VSS166 VSS80 E15  
 W23 VSS165 VSS79 E14  
 W1 VSS164 VSS78 D27  
 V4 VSS163 VSS77 D22  
 V27 VSS162 VSS76 D20  
 V26 VSS161 VSS75 D18  
 V23 VSS160 VSS74 D14  
 U25 VSS159 VSS73 D13  
 U24 VSS158 VSS72 D10  
 U23 VSS157 VSS71 D1  
 U15 VSS156 VSS70 C4  
 U13 VSS155 VSS69 C22  
 T7 VSS154 VSS68 C20  
 T26 VSS153 VSS67 C14  
 T27 VSS152 VSS66 C18  
 T26 VSS151 VSS65 B25  
 T23 VSS150 VSS64 B24  
 T16 VSS149 VSS63 B23  
 T14 VSS148 VSS62 B21  
 T13 VSS147 VSS61 B19  
 T12 VSS146 VSS60 B15  
 T1 VSS145 VSS59 B13  
 R4 VSS144 VSS58 AG7  
 R25 VSS143 VSS57 AG3  
 R24 VSS142 VSS56 AG22  
 R23 VSS141 VSS55 AG20  
 R17 VSS140 VSS54 AG17  
 R16 VSS139 VSS53 AG14  
 R15 VSS138 VSS52 AG12  
 R13 VSS137 VSS51 AG1  
 R12 VSS136 VSS50 AF7  
 R11 VSS135 VSS49 AF3  
 P22 VSS134 VSS48 AF26  
 P16 VSS133 VSS47 AF12  
 P15 VSS132 VSS46 AF10  
 P14 VSS131 VSS45 AF1  
 P13 VSS130 VSS44 AE6  
 P12 VSS129 VSS43 AE25  
 N7 VSS128 VSS42 AE21  
 N17 VSS127 VSS41 AE2  
 N16 VSS126 VSS40 AE11  
 N15 VSS125 VSS39 AE10  
 N14 VSS124 VSS38 AE10  
 N13 VSS123 VSS37 AD6  
 N12 VSS122 VSS36 AD24  
 N11 VSS121 VSS35 AD2  
 N1 VSS120 VSS34 AD18  
 M4 VSS119 VSS33 AD15  
 M27 VSS118 VSS32 AD10  
 M26 VSS117 VSS31 AD1  
 M23 VSS116 VSS30 AC6  
 M16 VSS115 VSS29 AC6  
 M15 VSS114 VSS28 AC26  
 M14 VSS113 VSS27 AC24  
 M13 VSS112 VSS26 AC23  
 M12 VSS111 VSS25 AC22  
 L24 VSS110 VSS24 AC10  
 L23 VSS109 VSS23 AB9  
 L15 VSS108 VSS22 AB7  
 L13 VSS107 VSS21 AB2  
 K7 VSS106 VSS20 AB19  
 K27 VSS105 VSS19 AB10  
 K26 VSS104 VSS18 AA1  
 K23 VSS103 VSS17 AA4  
 K1 VSS102 VSS16 AA16  
 J5 VSS101 VSS15 AA13  
 J4 VSS100 VSS14 AA11  
 J24 VSS99 VSS13 A9  
 J23 VSS98 VSS12 A7  
 H27 VSS97 VSS11 A4  
 H26 VSS96 VSS10 A26  
 H23 VSS95 VSS9 A23  
 G9 VSS94 VSS8 A21  
 G7 VSS93 VSS7 A19  
 G21 VSS92 VSS6 A15  
 G12 VSS91 VSS5 A12  
 G1 VSS90 VSS4 A1  
 VSS89 VSS3  
 VSS88 VSS2  
 VSS87 VSS1

ITL\_ICH6\_MBGA\_609P

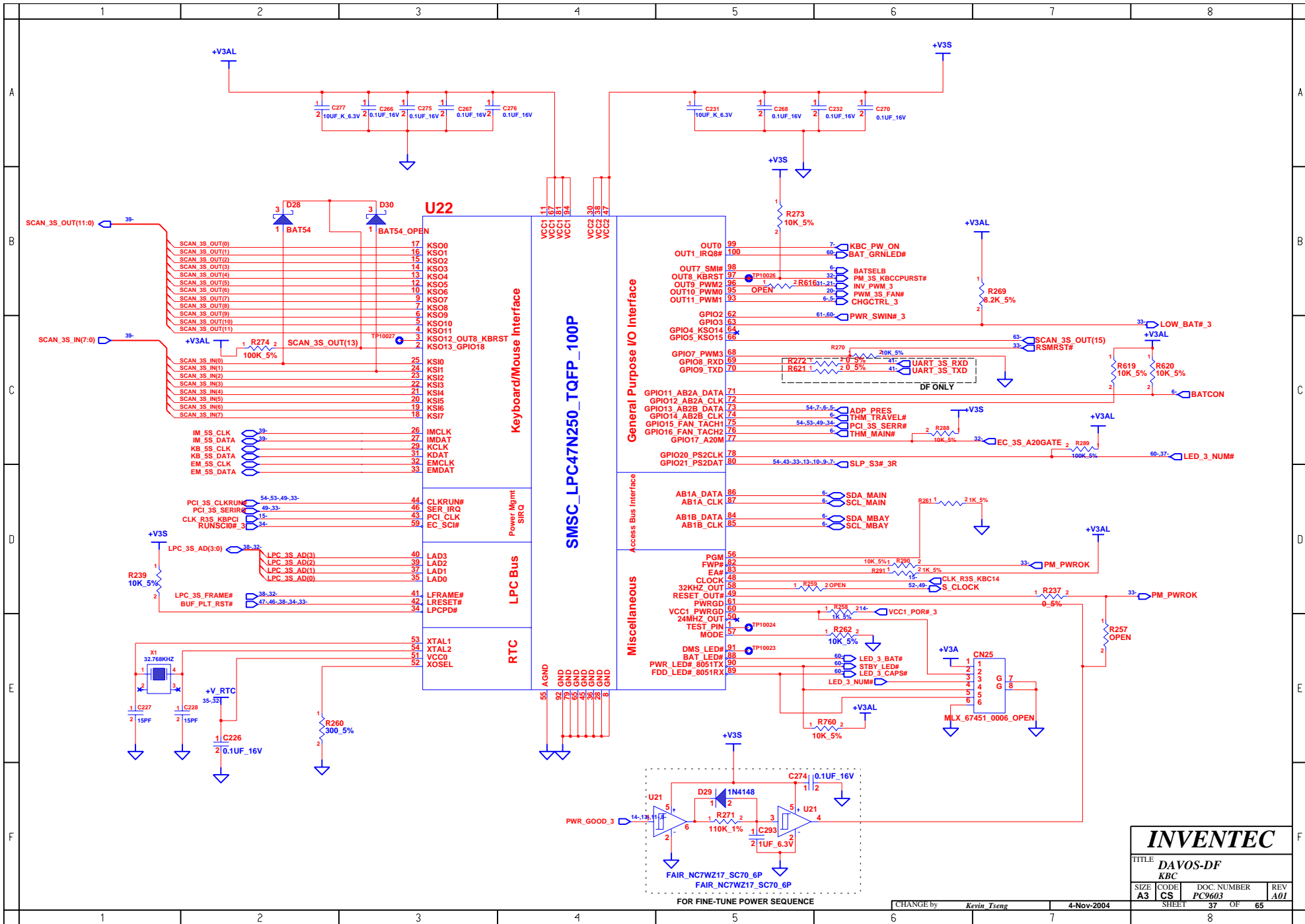
**INVENTEC**

TITLE **DAVOS-DF**  
**ICH6-5**

SIZE <b>A3</b>	CODE <b>CS</b>	DOC. NUMBER <b>PC9603</b>	REV <b>A01</b>
-------------------	-------------------	------------------------------	-------------------

CHANGE by *Kevin Tseng* 4-Nov-2004

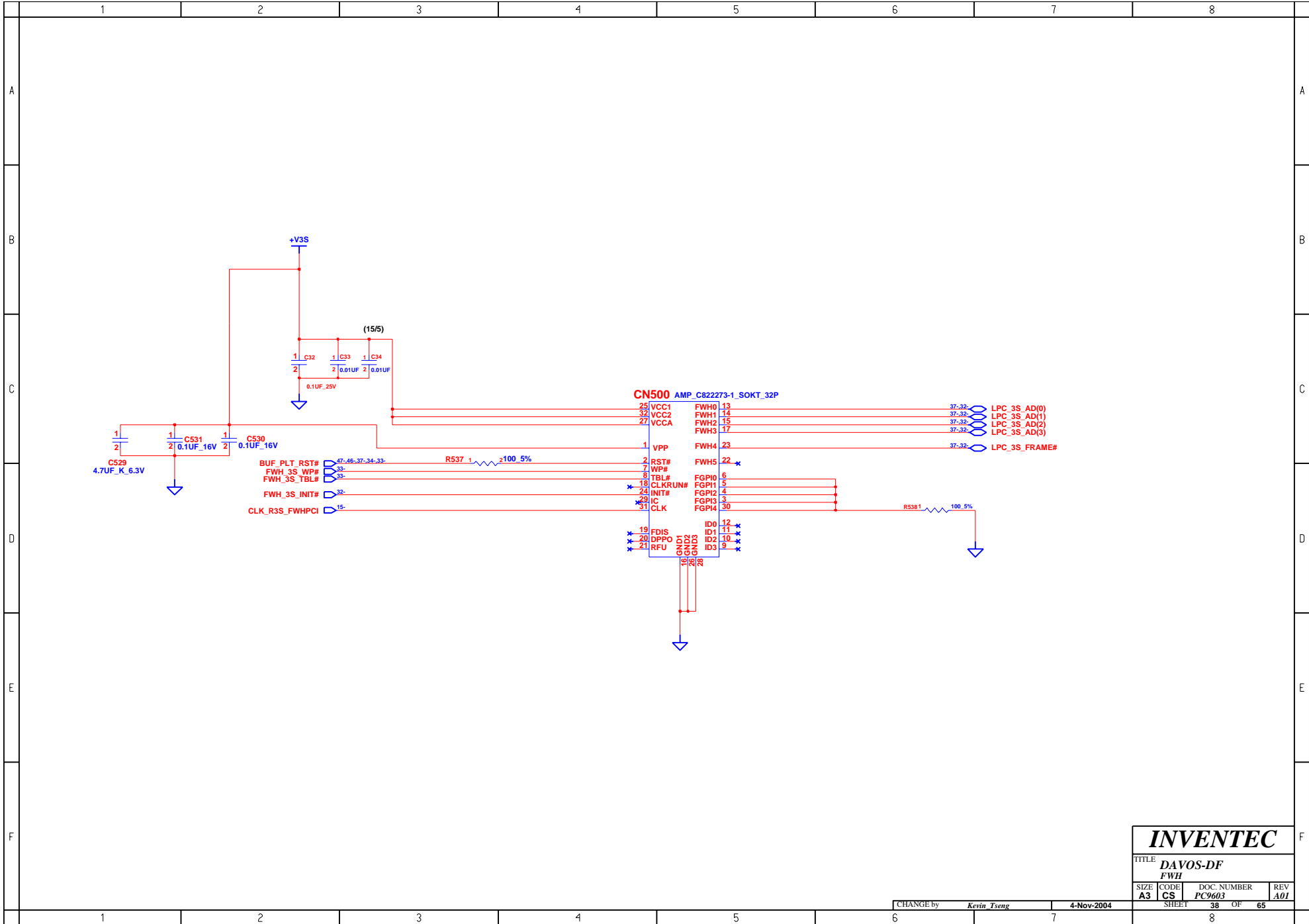
SHEET 36 OF 65



<b>INVENTEC</b>			
TITLE <b>DAVOS-DF</b>			
<b>KBC</b>			
SIZE <b>A3</b>	CODE <b>CS</b>	DOC. NUMBER <b>PC9603</b>	REV <b>A01</b>
SHEET <b>37</b>		OF <b>65</b>	

CHANGE by *Kevin Tseng* 4-Nov-2004

FOR FINE-TUNE POWER SEQUENCE



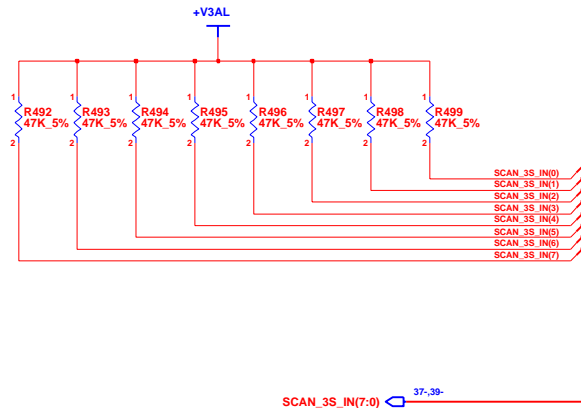
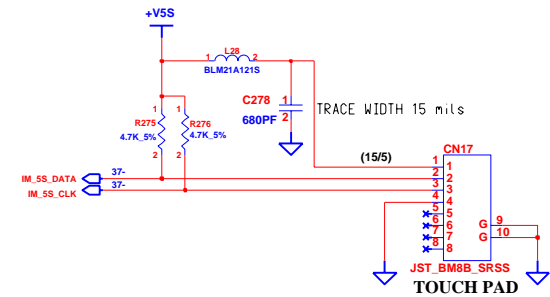
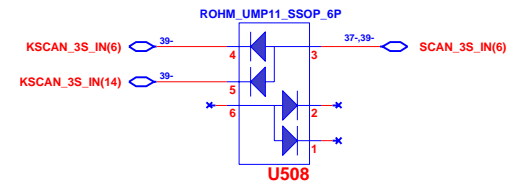
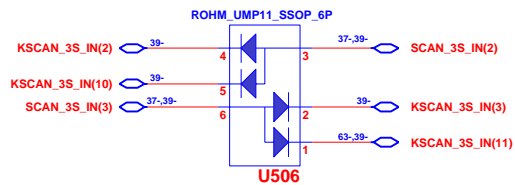
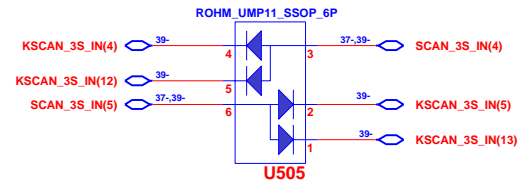
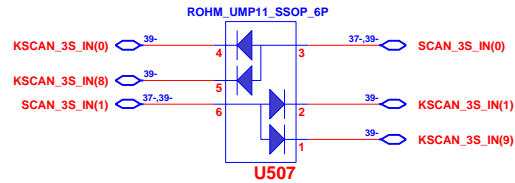
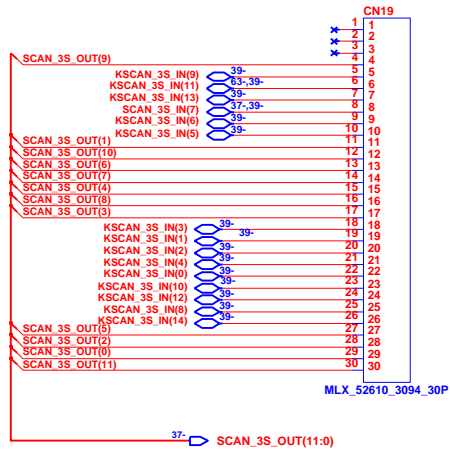
**INVENTEC**

TITLE  
**DAVOS-DF**  
**FWH**

SIZE	CODE	DOC. NUMBER	REV
A3	CS	PC9603	A01

CHANGE by *Kevin Tseng* 4-Nov-2004

SHEET 38 OF 65



# INVENTEC

TITLE			
DAVOS-DF			
INT. KB CONN & TOUCHPAD			
SIZE	CODE	DOC. NUMBER	REV
A3	CS	PC9603	A01

CHANGE by Kevin Tseng 4-Nov-2004

SHEET 39 OF 65

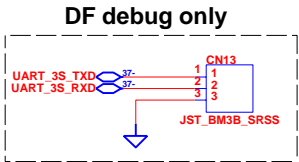
**For FF only**

<b>INVENTEC</b>			
TITLE <b>DAVOS-DF SUPER I/O</b>			
SIZE <b>A3</b>	CODE <b>CS</b>	DOC. NUMBER <b>PC9603</b>	REV <b>A01</b>
CHANGE by <i>Kevin Tseng</i>		4-Nov-2004	
SHEET		40	OF 65

	1	2	3	4	5	6	7	8	
A									A
B									B
C									C
D									D
E									E
F									F
	1	2	3	4	5	6	7	8	



	1	2	3	4	5	6	7	8	
A									A
B									B
C									C
D									D
E									E
F									F
	1	2	3	4	5	6	7	8	



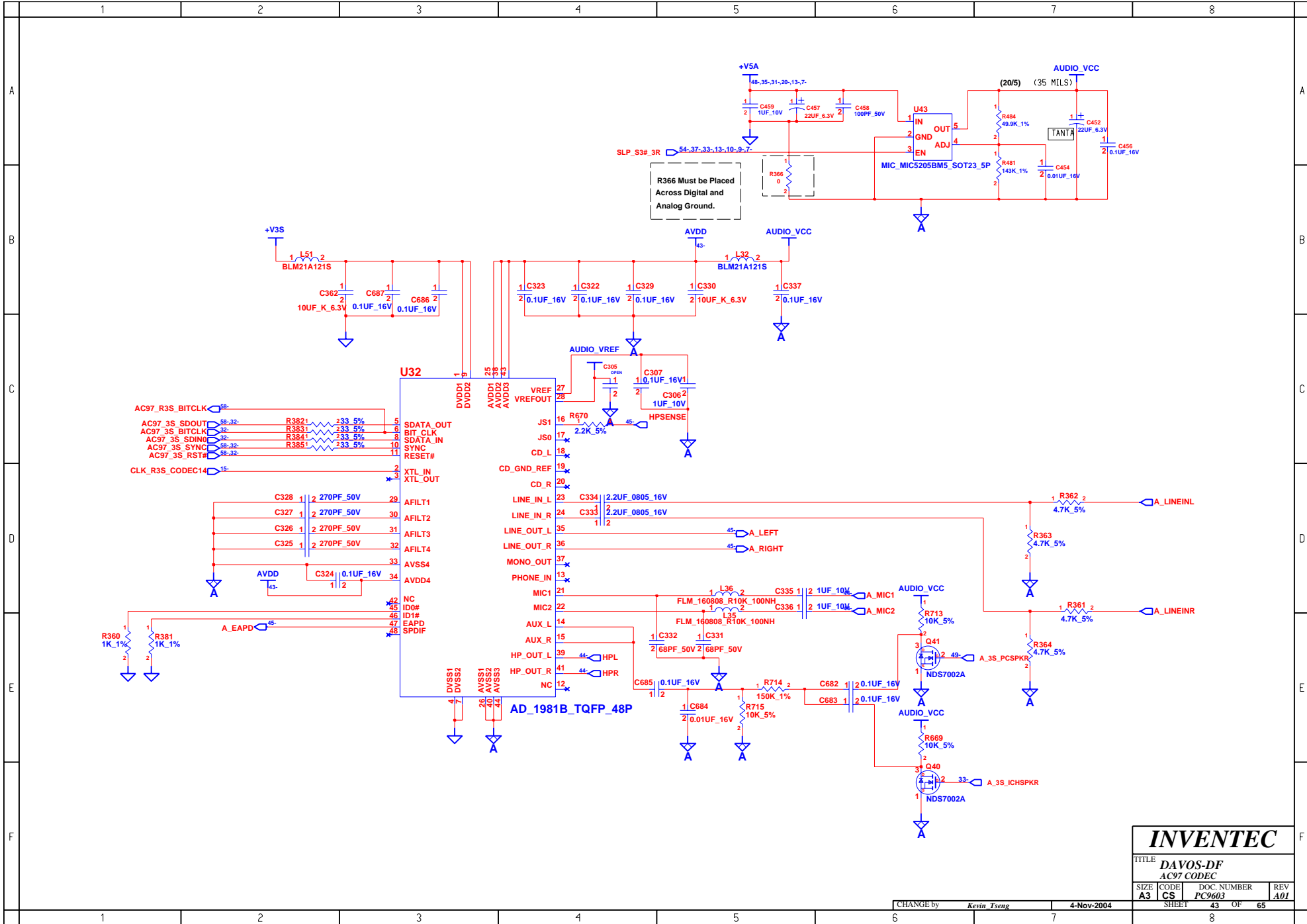
<b>INVENTEC</b>			
TITLE <b>DAVOS-DF</b> <i>DF debug only</i>			
SIZE	CODE	DOC. NUMBER	REV
A3	CS	PC9603	A01

CHANGE by	<i>Kevin Tseng</i>	4-Nov-2004	SHEET	41	OF	65
				8		

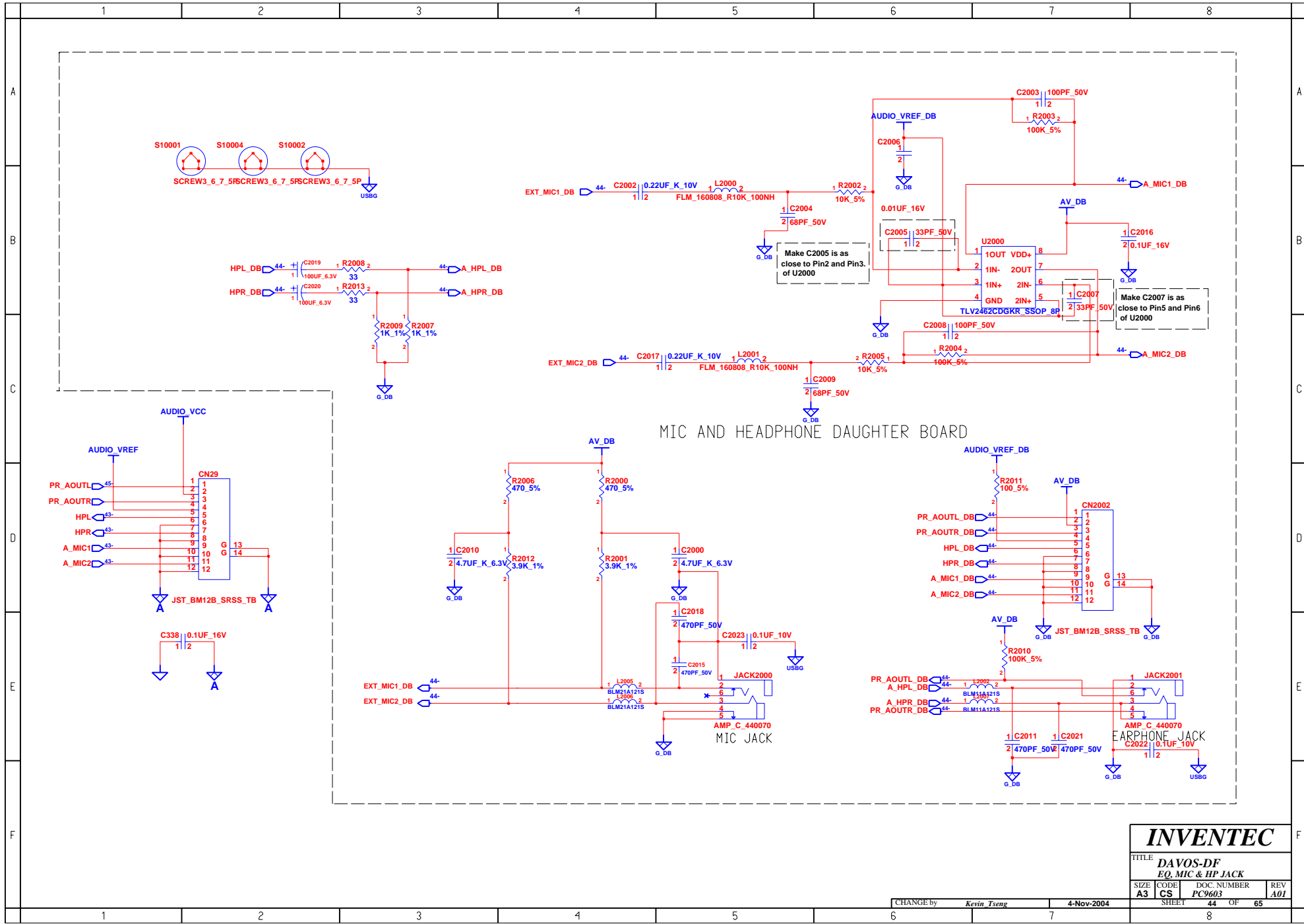
**For FF only**

<b>INVENTEC</b>			
TITLE <b>DAVOS-DF PARALLER PORT</b>			
SIZE <b>A3</b>	CODE <b>CS</b>	DOC. NUMBER <b>PC9603</b>	REV <b>A01</b>
CHANGE by <i>Kevin Tseng</i>		4-Nov-2004	
SHEET		42	OF 65

	1	2	3	4	5	6	7	8	
A									A
B									B
C									C
D									D
E									E
F									F
	1	2	3	4	5	6	7	8	



<b>INVENTEC</b>			
TITLE <b>DAVOS-DF AC97 CODEC</b>			
SIZE <b>A3</b>	CODE <b>CS</b>	DOC. NUMBER <b>PC9603</b>	REV <b>A01</b>



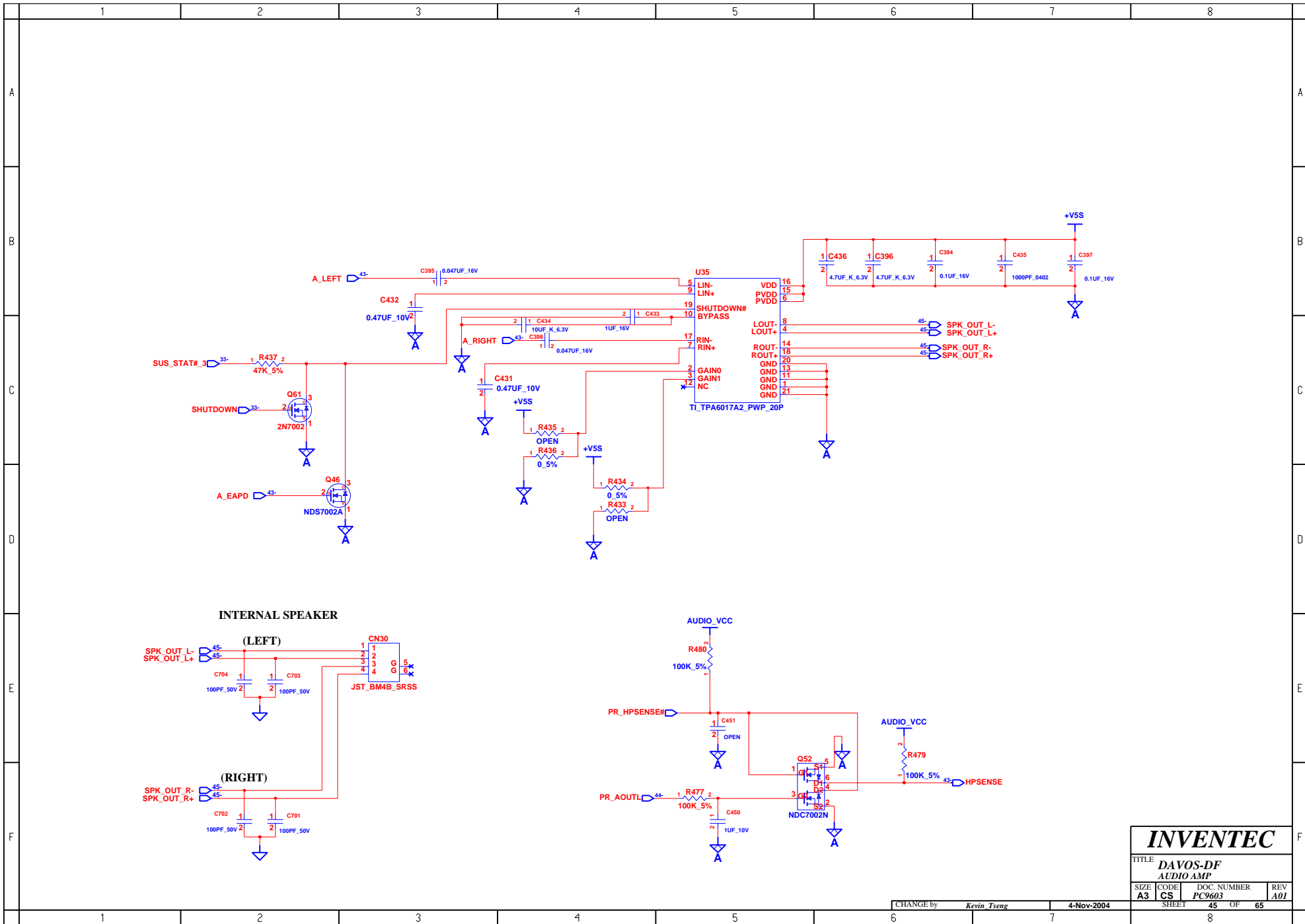
MIC AND HEADPHONE DAUGHTER BOARD

**INVENTEC**

TITLE  
**DAVOS-DF**  
**EQ, MIC & HP JACK**

SIZE	CODE	DOC. NUMBER	REV
A3	CS	PC9603	A01

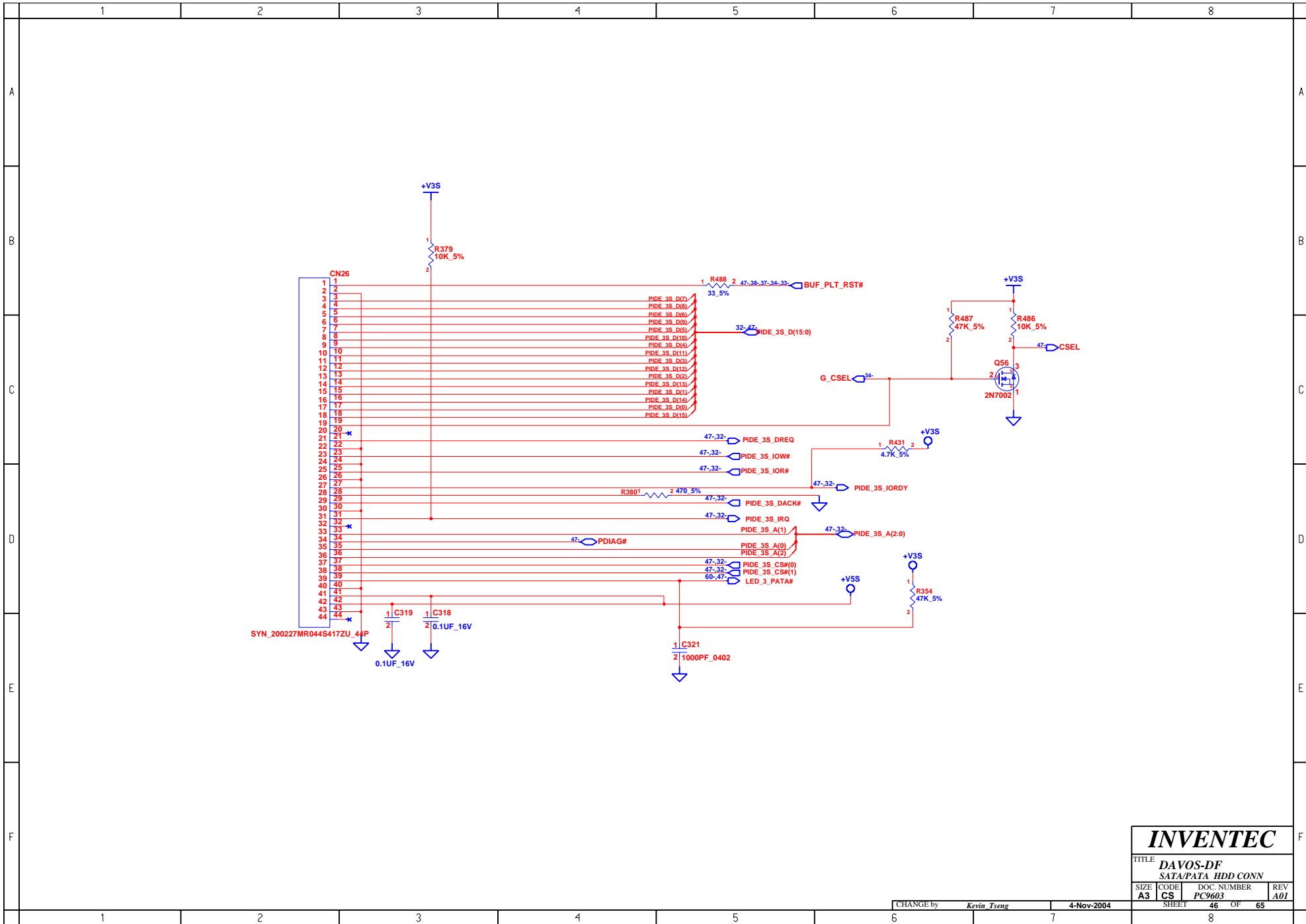
CHANGE by *Kevin Tseng* 4-Nov-2004 SHEET 44 OF 65



# INVENTEC

TITLE			
DAVOS-DF AUDIO AMP			
SIZE	CODE	DOC. NUMBER	REV
A3	CS	PC9603	A01

CHANGE by	Kevin Tseng	4-Nov-2004	SHEET 45 OF 65
-----------	-------------	------------	----------------

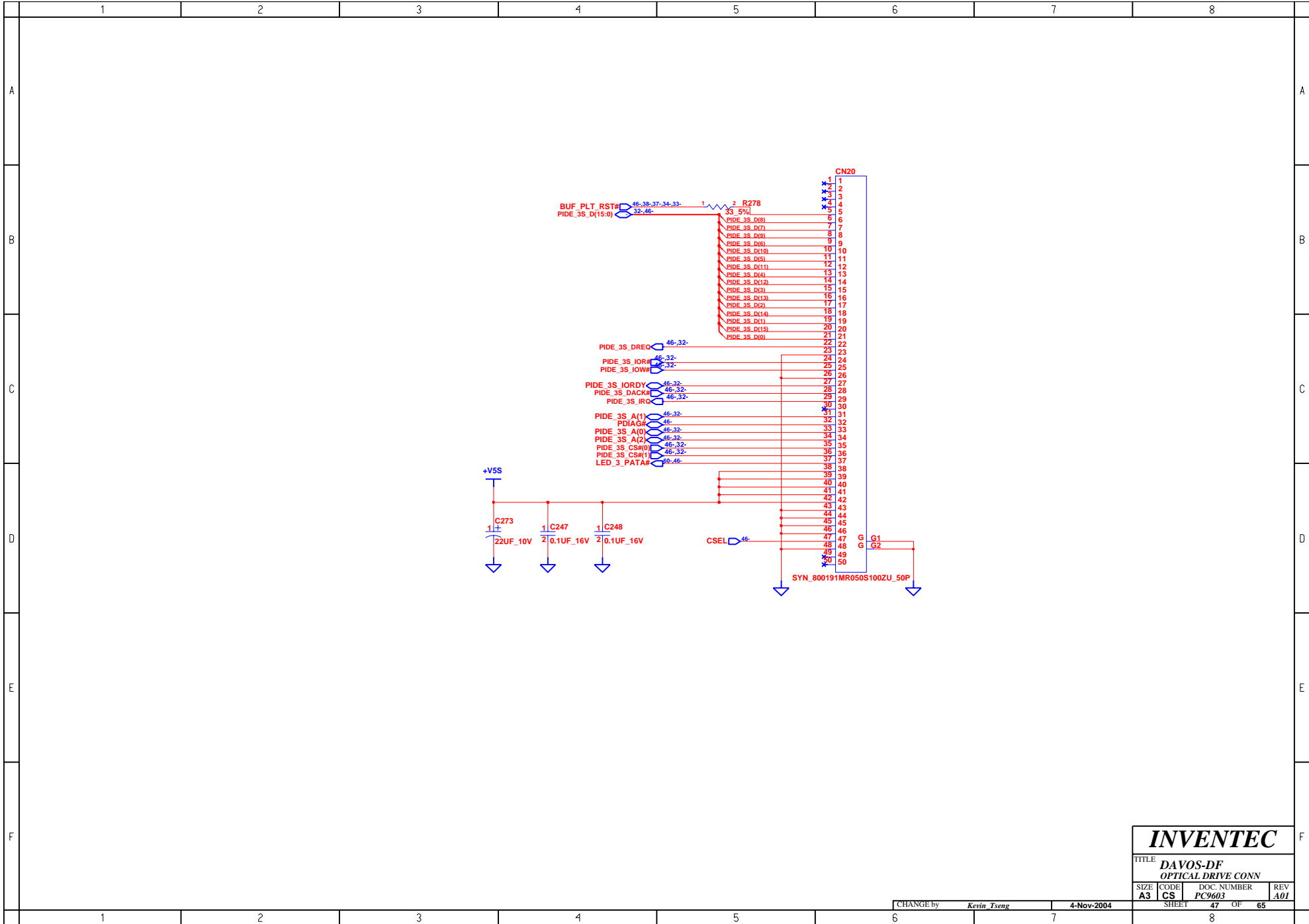


# INVENTEC

TITLE **DAVOS-DF**  
**SATA/PATA HDD CONN**

SIZE	CODE	DOC. NUMBER	REV
A3	CS	PC9603	A01

CHANGE by *Kevin Tseng* 4-Nov-2004 SHEET 46 OF 65



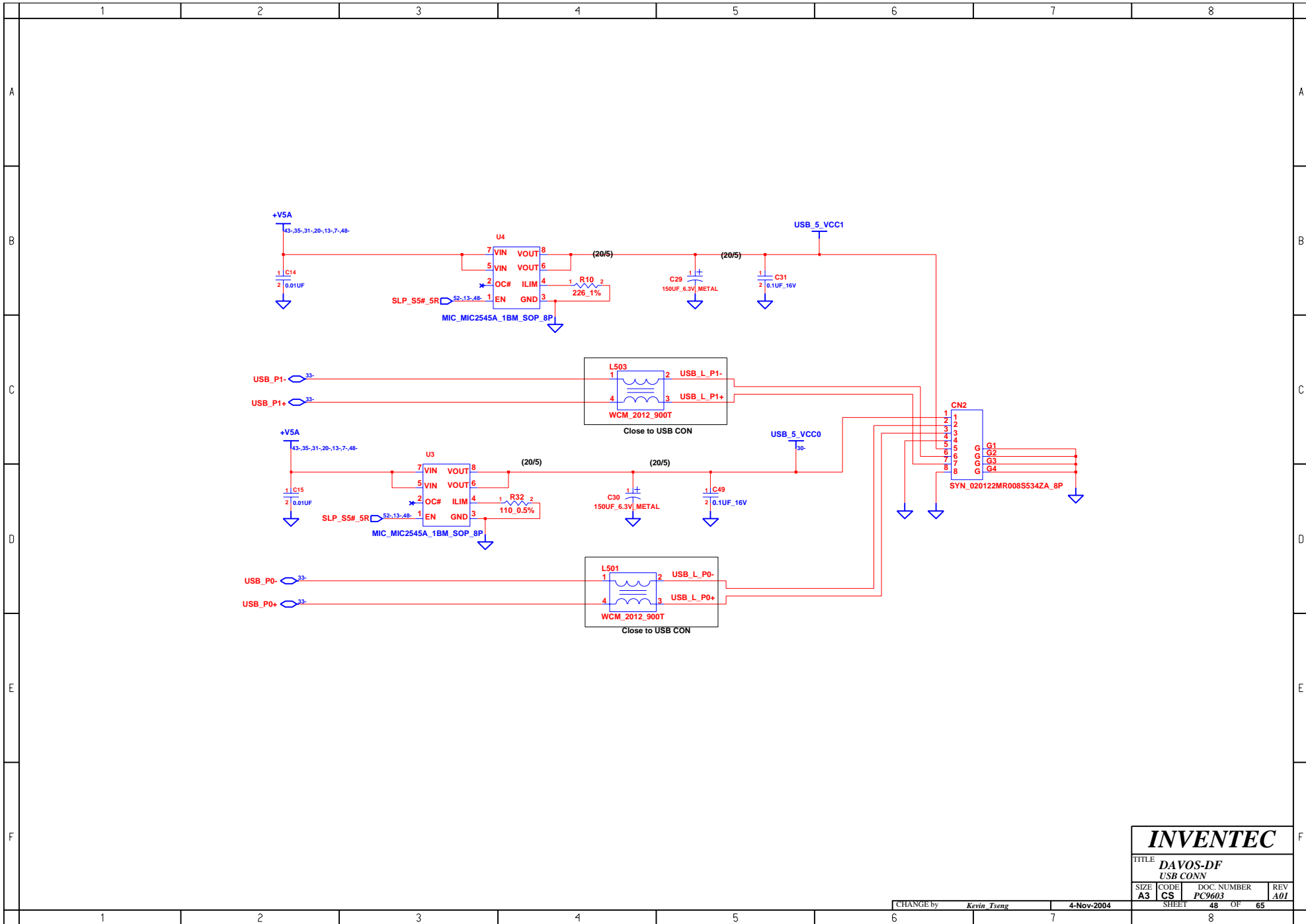
**INVENTEC**

TITLE  
**DAVOS-DF  
 OPTICAL DRIVE CONN**

SIZE <b>A3</b>	CODE <b>CS</b>	DOC. NUMBER <b>PC9603</b>	REV <b>A01</b>
-------------------	-------------------	------------------------------	-------------------

CHANGE by *Kevin Tseng* 4-Nov-2004

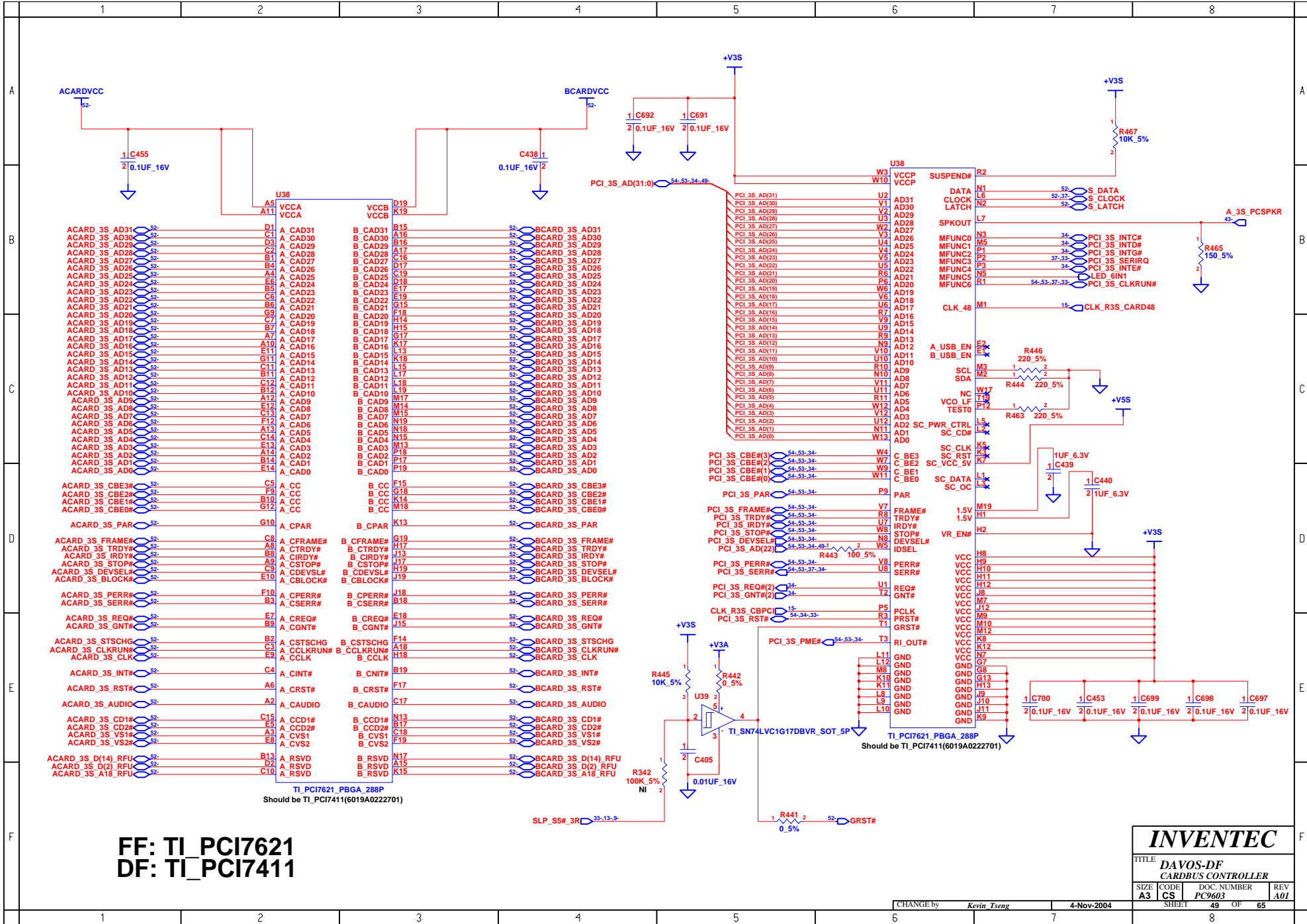
SHEET 47 OF 65



# INVENTEC

TITLE			
DAVOS-DF			
USB CONN			
SIZE	CODE	DOC. NUMBER	REV
A3	CS	PC9603	A01



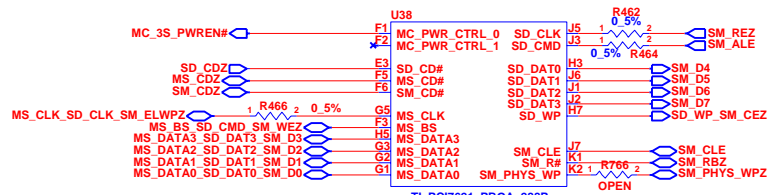


FF: TI\_PCI7621  
DF: TI\_PCI7411

**INVENTEC**

TITLE  
DAVOS-DF  
CARBUS CONTROLLER

SIZE A3	CODE CS	DOC. NUMBER PC9603	REV A01
------------	------------	-----------------------	------------



Should be TI\_PCI7411(6019A0222701)

# 6 in 1 for FF only

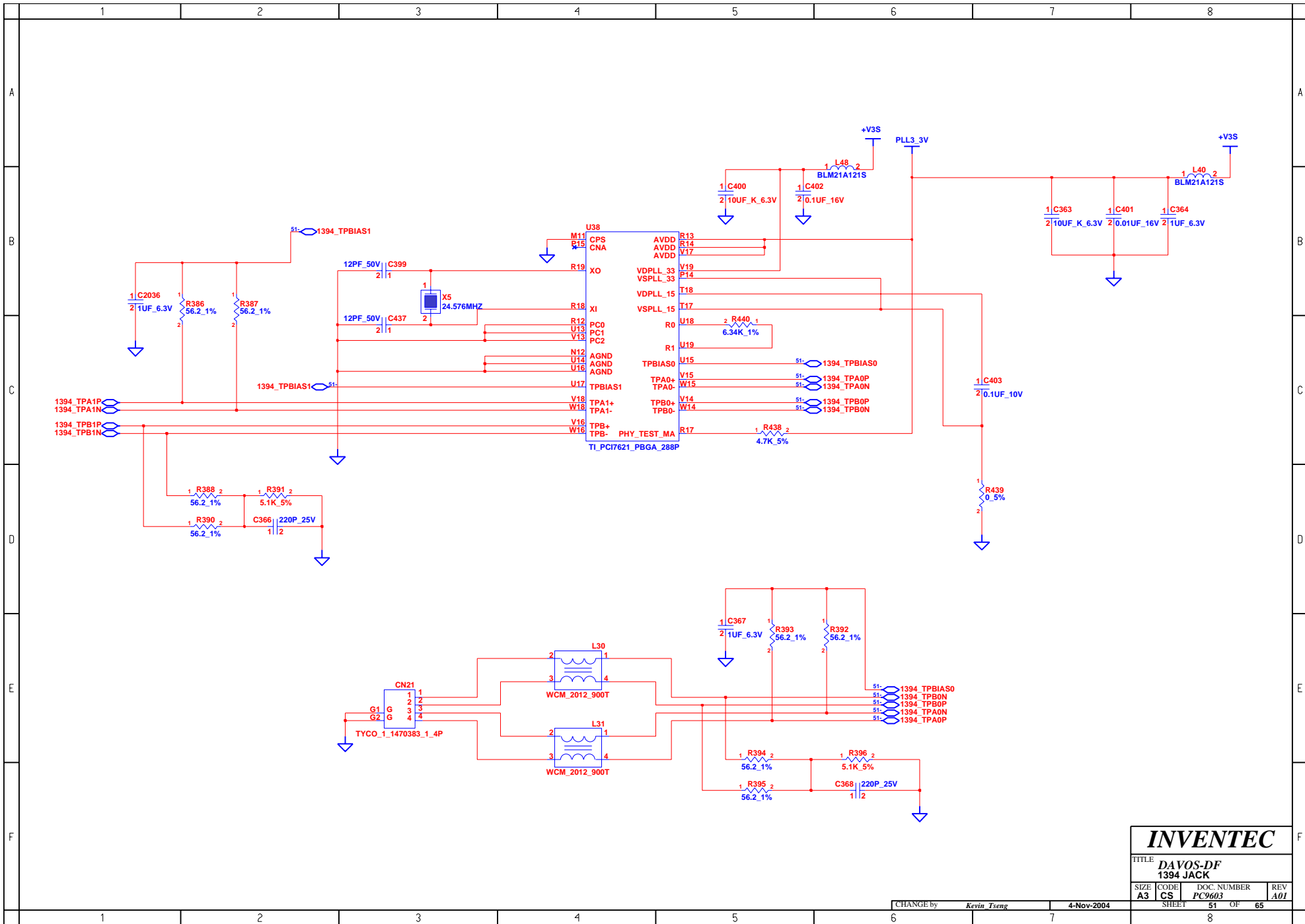
**INVENTEC**

TITLE  
**DAVOS-DF**  
**6 IN 1 SLOT**

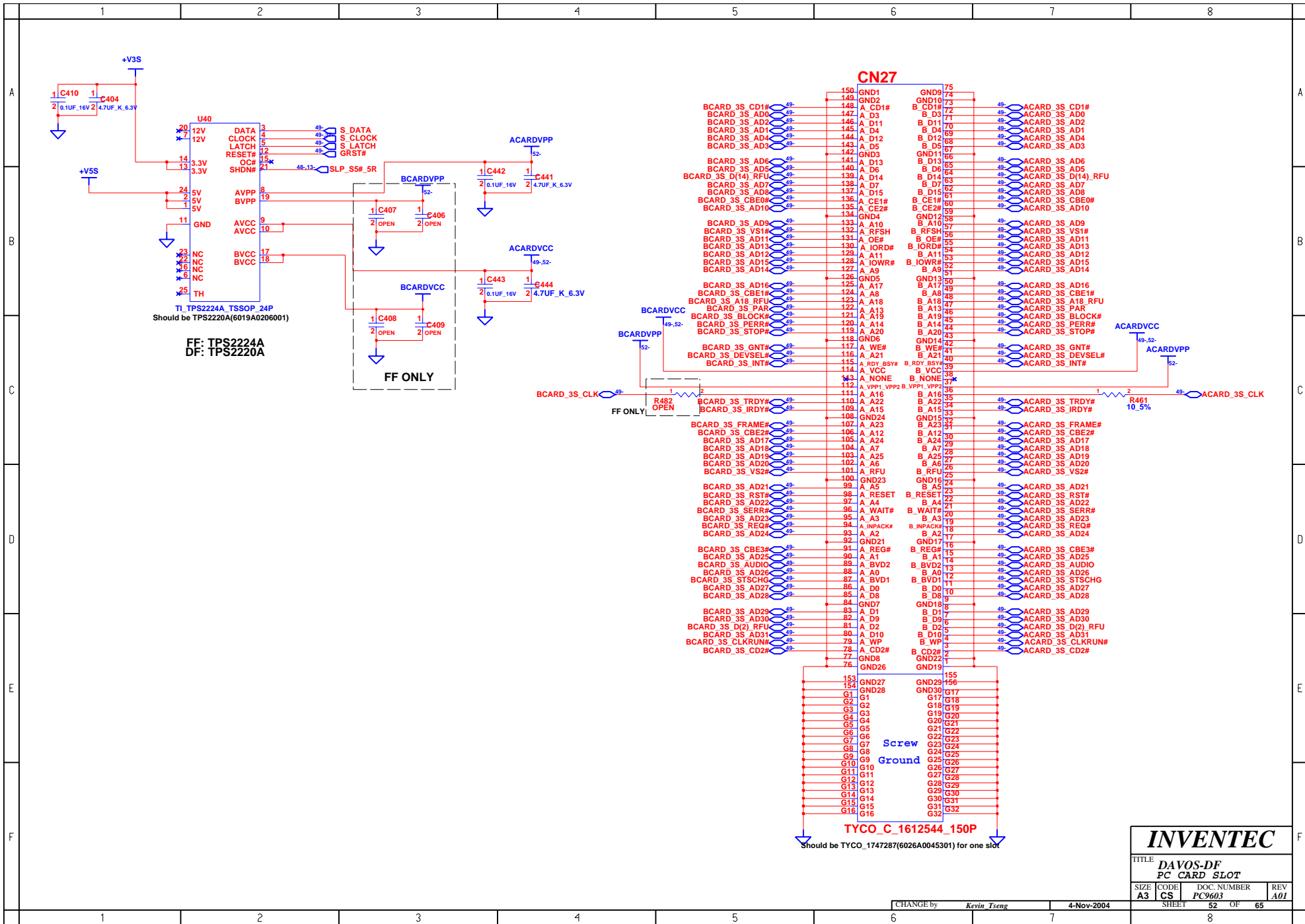
SIZE <b>A3</b>	CODE <b>CS</b>	DOC. NUMBER <b>PC9603</b>	REV <b>A01</b>
-------------------	-------------------	------------------------------	-------------------

CHANGE by *Kevin Tseng* 4-Nov-2004

SHEET 50 OF 65



<b>INVENTEC</b>			
TITLE <b>DAVOS-DF 1394 JACK</b>			
SIZE <b>A3</b>	CODE <b>CS</b>	DOC. NUMBER <b>PC9603</b>	REV <b>A01</b>
CHANGE by <i>Kevin Tseng</i>		4-Nov-2004	
SHEET 51		OF 65	



T1 TPS2224A TSSOP 24P  
Should be TPS2220A(6019A0206001)

FF: TPS2224A  
DF: TPS2220A

FF ONLY

FF ONLY

CN27

TYCO\_C\_1612544\_150P  
Should be TYCO\_1747287(6026A0045301) for one slot

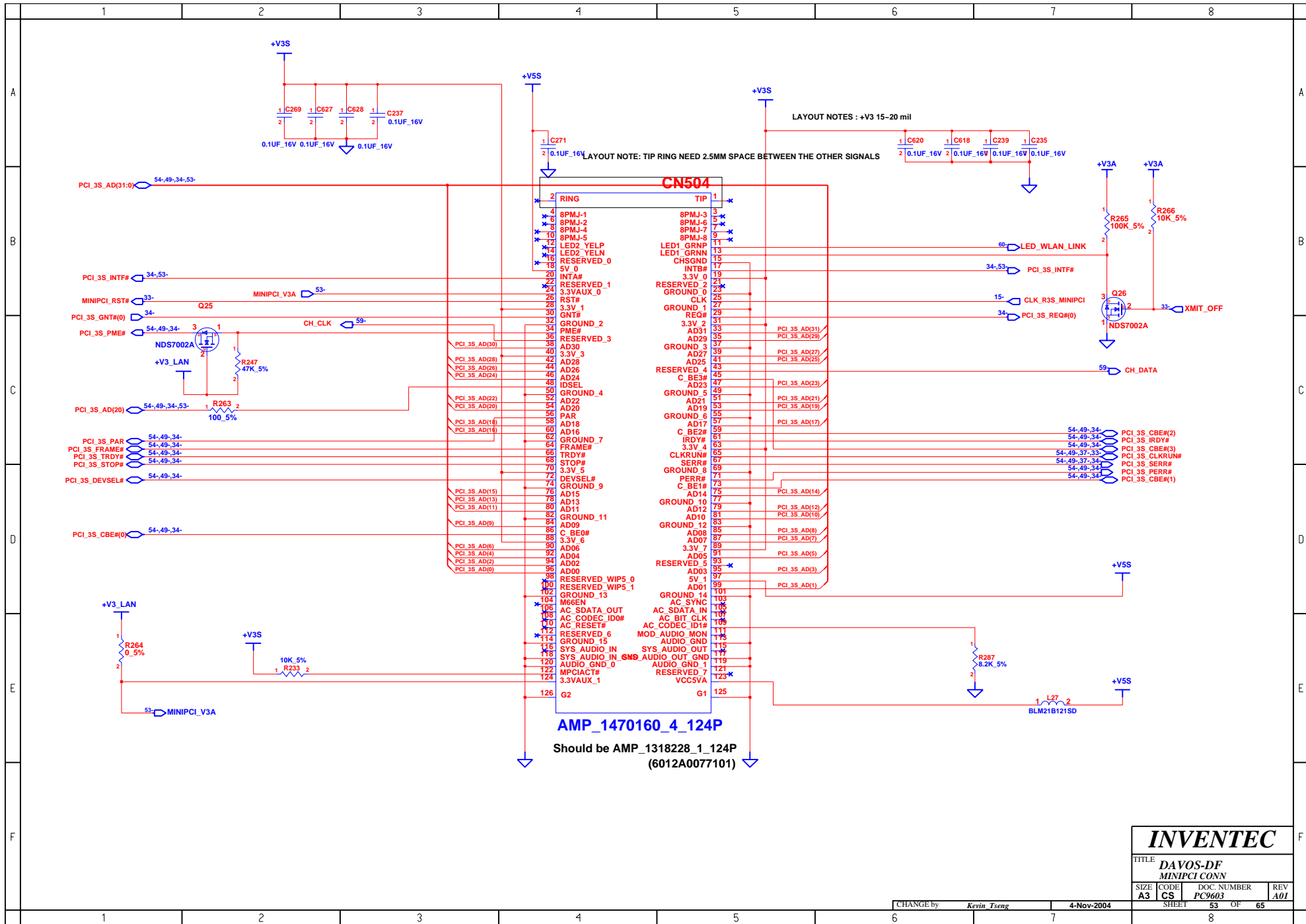
**INVENTEC**

TITLE  
DAVOS-DF  
PC CARD SLOT

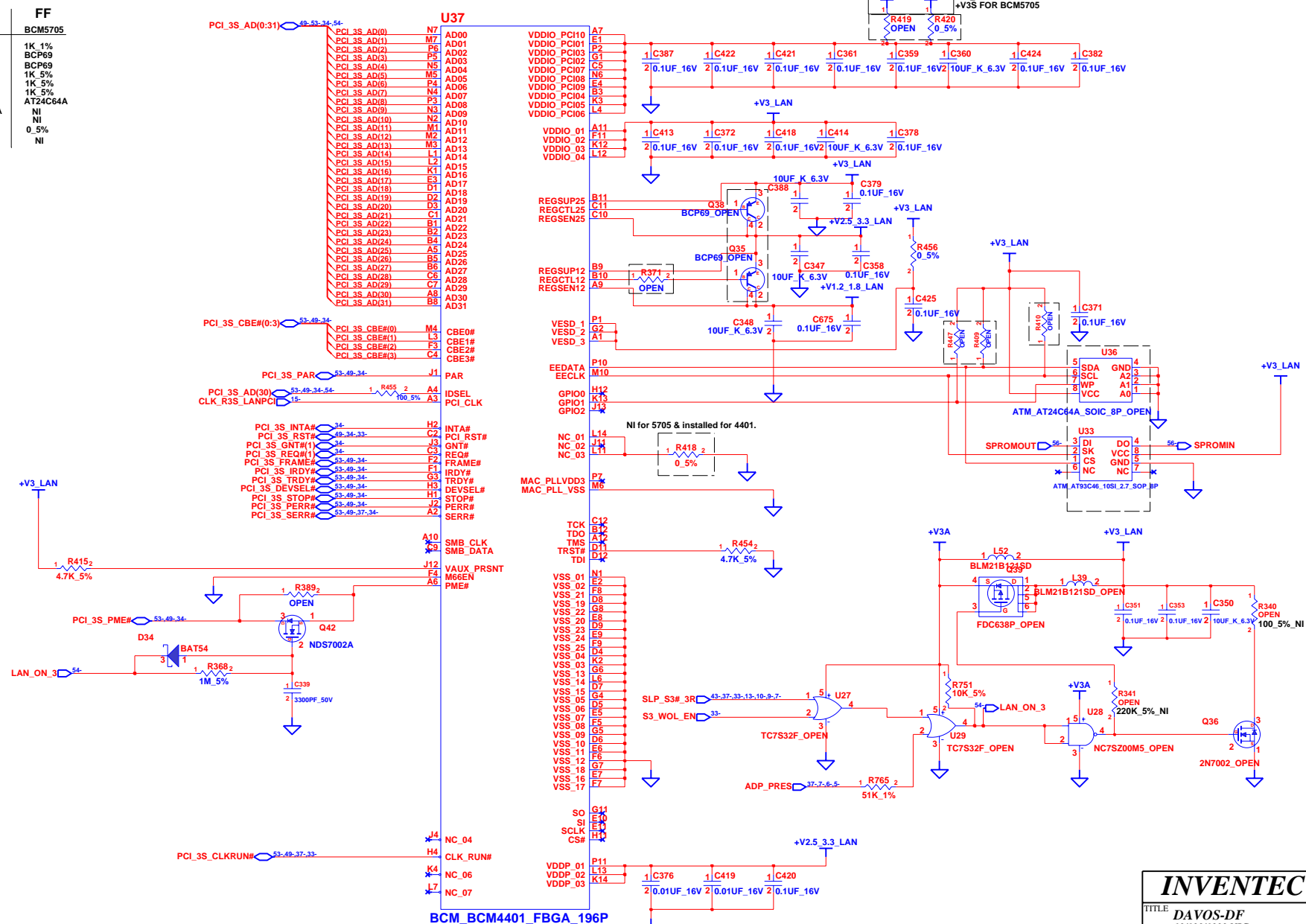
SIZE A3	CODE CS	DOC. NUMBER PC9603	REV A01
------------	------------	-----------------------	------------

CHANGE by Kevin Tseng 4-Nov-2004

SHEET 52 OF 65



REF	DF	FF
	BCM4401	BCM5705
R371	NI	1K 1%
Q35	NI	BCP69
Q38	NI	BCP69
R447	NI	1K 5%
R409	NI	1K 5%
R410	NI	1K 5%
U36	NI	AT24C64A
U33	AT93C46A	NI
R420	0.5%	NI
R419	NI	0.5%
R418	0.5%	NI

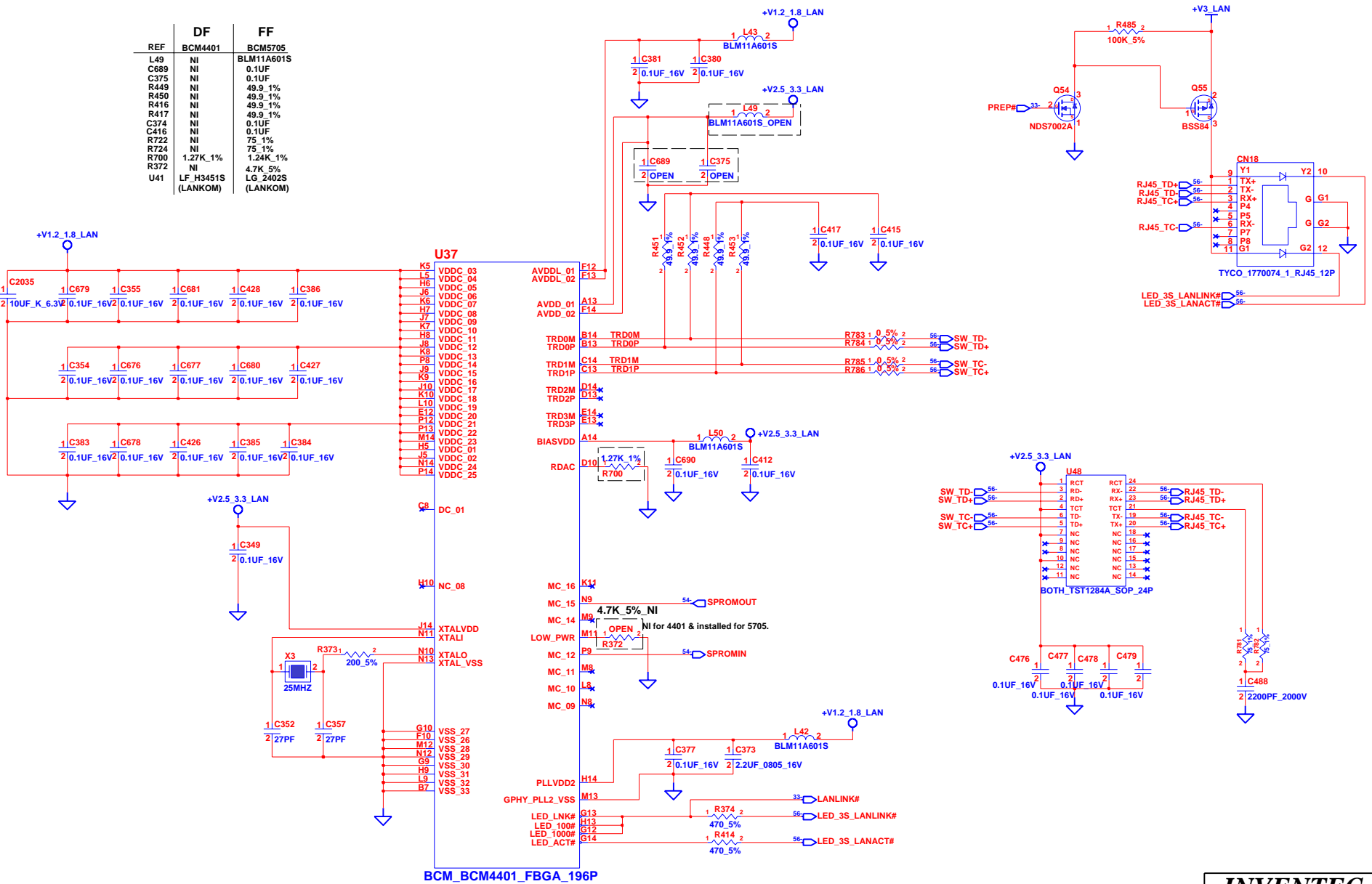


<b>INVENTEC</b>			
TITLE DAVOS-DF 10/100/1000 NIC			
SIZE A3	CODE CS	DOC. NUMBER PC9603	REV A01

**BLANK**

<b>INVENTEC</b>			
TITLE <b>DAVOS-DF BLANK</b>			
SIZE <b>A3</b>	CODE <b>CS</b>	DOC. NUMBER <b>PC9603</b>	REV <b>A01</b>
CHANGE by <i>Kevin Tseng</i>		4-Nov-2004	
SHEET		55	OF 65
		8	

REF	DF	FF
	BCM4401	BCM5705
L49	NI	BLM11A601S
C689	NI	0.1UF
C375	NI	0.1UF
R449	NI	49.9 1%
R450	NI	49.9 1%
R416	NI	49.9 1%
R417	NI	49.9 1%
C374	NI	0.1UF
C416	NI	0.1UF
R722	NI	75 1%
R724	NI	75 1%
R700	1.27K 1%	1.24K 1%
R372	NI	4.7K 5%
U41	LF_H3451S (LANKOM)	LG_2402S (LANKOM)



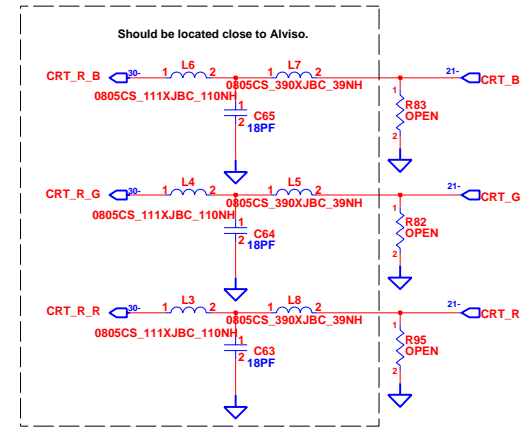
# INVENTEC

TITLE			
DAVOS-DF NIC - TRANSFORMER			
SIZE	CODE	DOC. NUMBER	REV
A3	CS	PC9603	A01

CHANGE by	Kevin Tseng	4-Nov-2004	SHEET	56	OF	65
-----------	-------------	------------	-------	----	----	----



# Docking for FF only

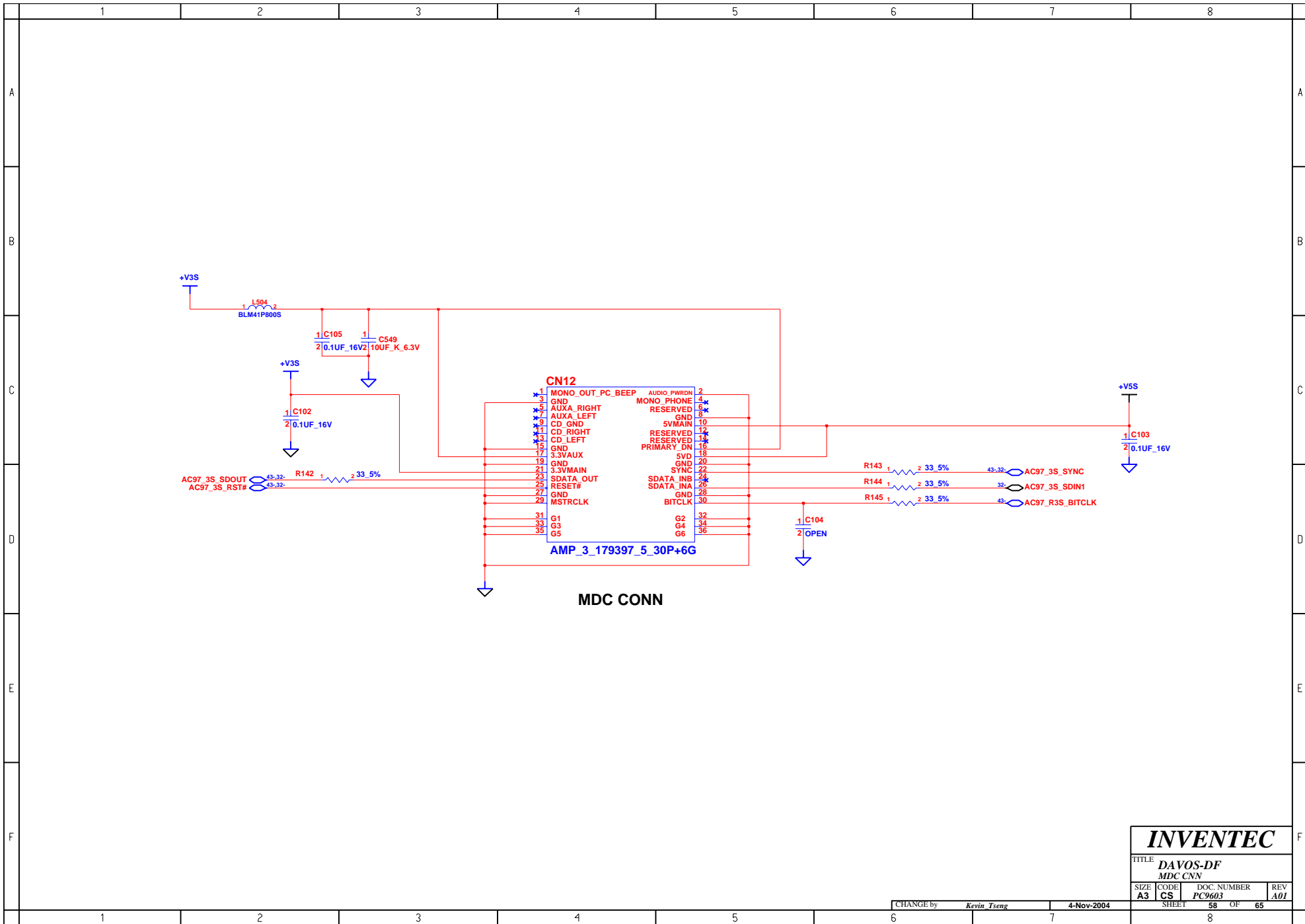


**INVENTEC**

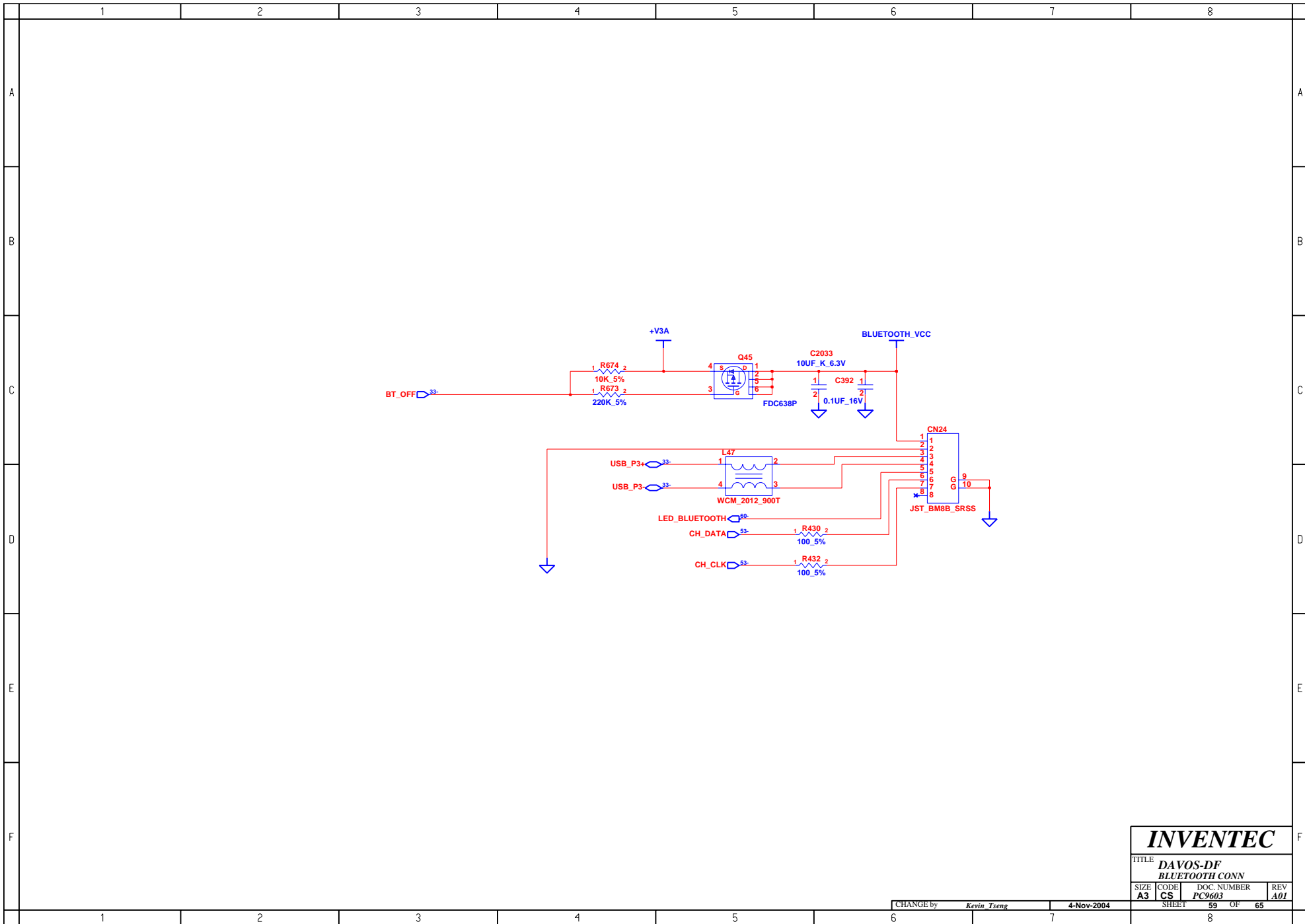
TITLE			
DAVOS-DF			
DOCKING CONN			
SIZE	CODE	DOC. NUMBER	REV
A3	CS	PC9603	A01

CHANGE by *Kevin Tseng* 4-Nov-2004

SHEET 57 OF 65

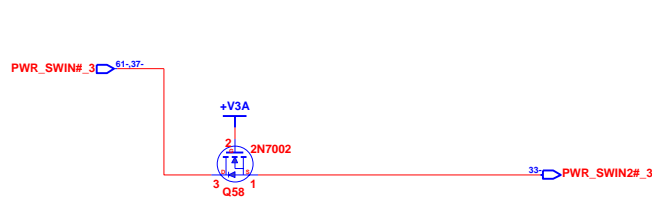


<b>INVENTEC</b>			
TITLE <b>DAVOS-DF</b> <b>MDC CNN</b>			
SIZE <b>A3</b>	CODE <b>CS</b>	DOC. NUMBER <b>PC9603</b>	REV <b>A01</b>
CHANGE by <i>Kevin Tseng</i>		4-Nov-2004	SHEET 58 OF 65

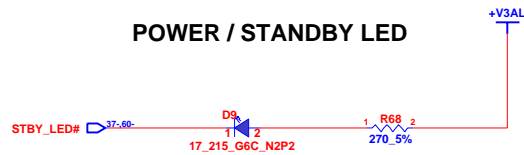


**INVENTEC**

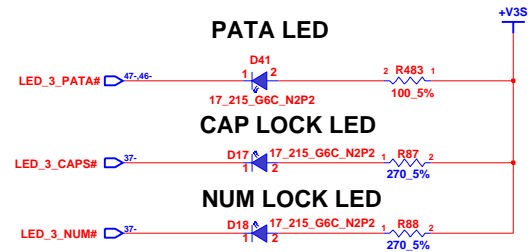
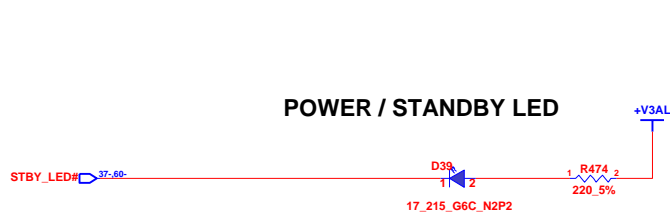
TITLE			
DAVOS-DF			
BLUETOOTH CONN			
SIZE	CODE	DOC. NUMBER	REV
A3	CS	PC9603	A01
CHANGE by		Kevin Tseng	4-Nov-2004
SHEET		59	OF 65



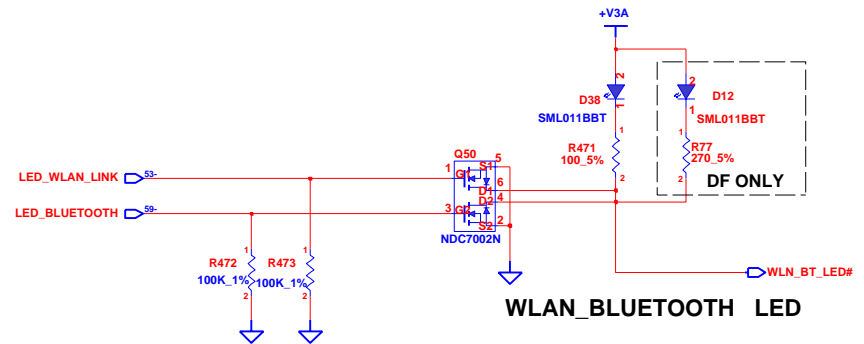
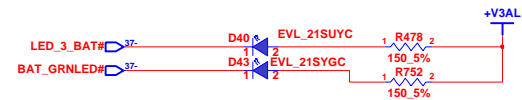
**POWER / STANDBY LED**



**POWER / STANDBY LED**

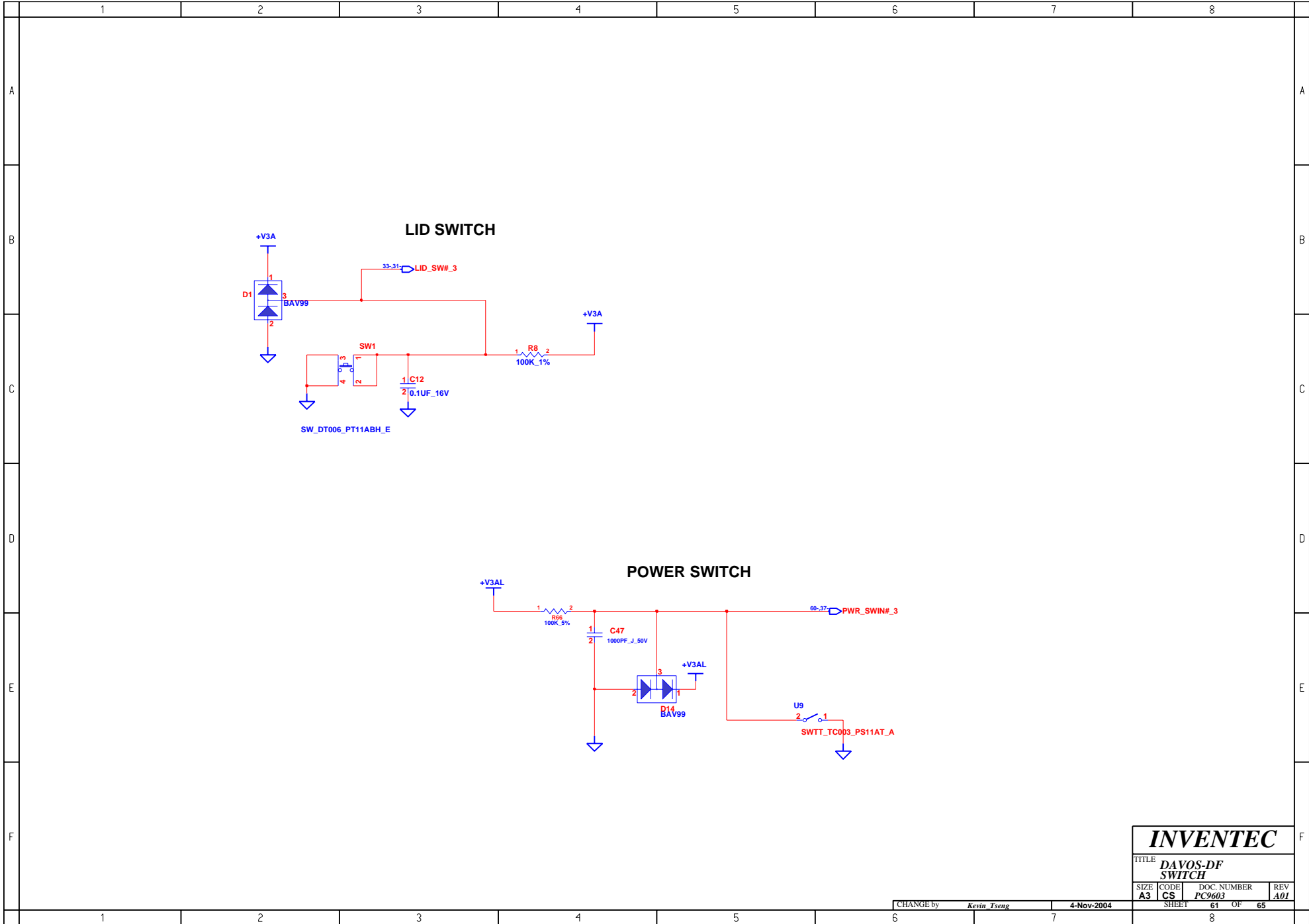


**BATTERY-CHARGE LED**



**INVENTEC**

TITLE			
DAVOS-DF			
LEDS			
SIZE	CODE	DOC. NUMBER	REV
A3	CS	PC9603	A01



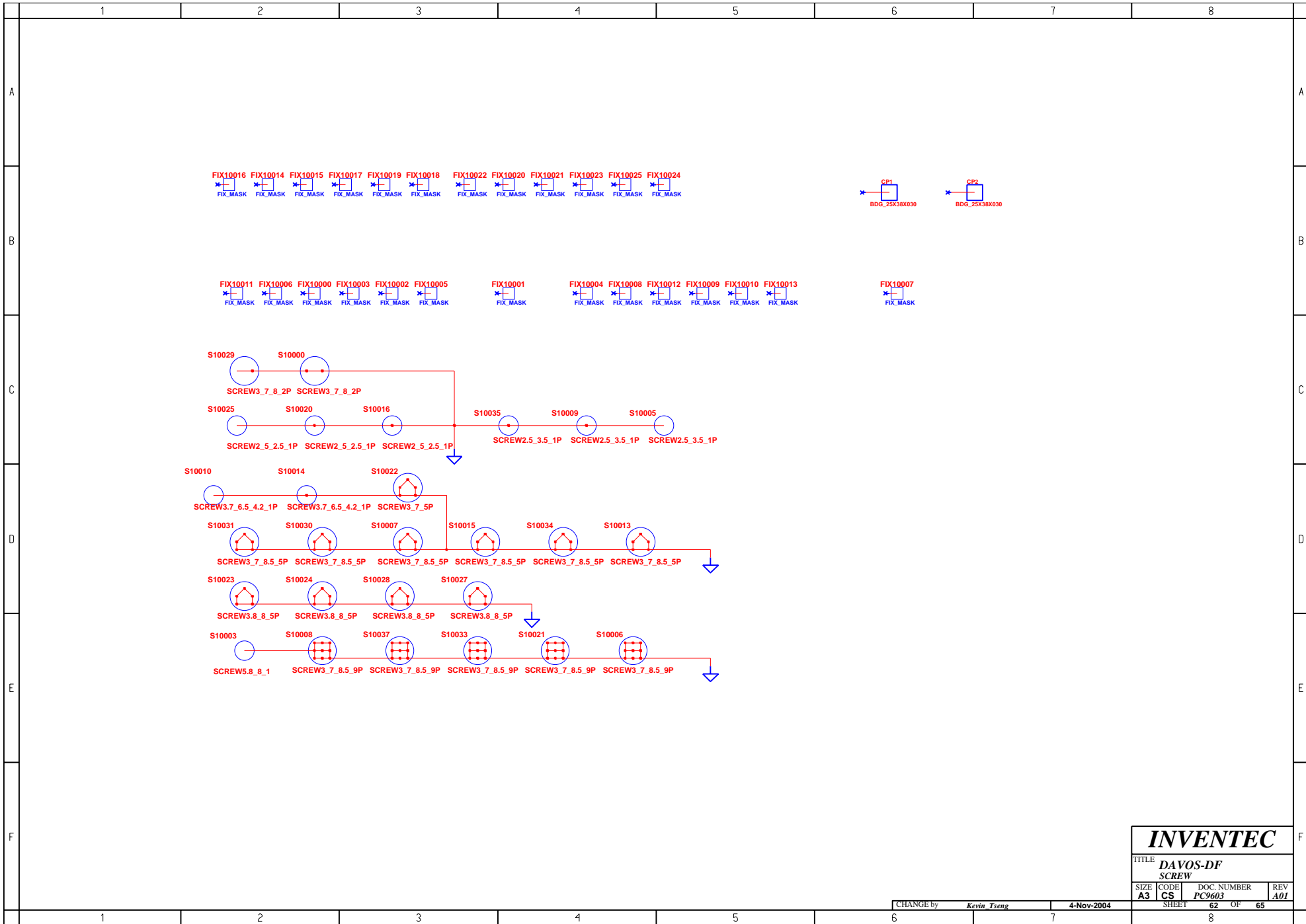
**INVENTEC**

TITLE  
**DAVOS-DF SWITCH**

SIZE <b>A3</b>	CODE <b>CS</b>	DOC. NUMBER <b>PC9603</b>	REV <b>A01</b>
-------------------	-------------------	------------------------------	-------------------

CHANGE by *Kevin Tseng* 4-Nov-2004

SHEET 61 OF 65

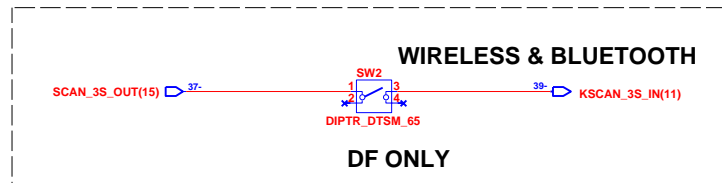


**INVENTEC**

TITLE			
DAVOS-DF			
SCREW			
SIZE	CODE	DOC. NUMBER	REV
A3	CS	PC9603	A01

# BUTTON & LED DAUGHTER BOARD

## For FF only



<b>INVENTEC</b>			
TITLE <b>DAVOS-DF</b>			
BUTTON & LED Daughter Board			
SIZE	CODE	DOC. NUMBER	REV
A3	CS	PC9603	A01
CHANGE by <i>Kevin Tseng</i>		4-Nov-2004	SHEET 63 OF 65

CHANGE by *Kevin Tseng* 4-Nov-2004

SHEET 63 OF 65

### LCD CABLE

1	1		1	1
2	2	+V3S	2	2
3	3		3	3
4	4	+V3S	4	4
5	5		5	5
6	6	+V3S	6	6
7	7		7	7
8	8	LCM_DDCPCLK	8	8
9	9		9	9
10	10	LCM_DDCPDATA	10	10
11	11	LVDS_TXDLO-	11	11
12	12	LVDS_TXDLO+	12	12
13	13	LVDS_TXDL1-	13	13
14	14	LVDS_TXDL1+	14	14
15	15	LVDS_TXDL2-	15	15
16	16	LVDS_TXDL2+	16	16
17	17	LVDS_TXCL-	17	17
18	18	LVDS_TXCL+	18	18
19	19	GND	19	19
20	20	GND	20	20
21	21	LVDS_TXDU0-	21	21
22	22	LVDS_TXDU0+	22	22
23	23	LVDS_TXDU1-	23	23
24	24	LVDS_TXDU1+	24	24
25	25	LVDS_TXDU2-	25	25
26	26	LVDS_TXDU2+	26	26
27	27	LVDS_TXCU+	27	27
28	28	LVDS_TXCU-	28	28
29	29	GND	29	29
30	30	GND	30	30
31	31		31	31
32	32	ALS_EN	32	32
33	33	+V5A	33	33
34	34	+V5A	34	34
35	35	+V5A	35	35
36	36	INV_PWM_3	36	36
37	37	+V3S	37	37
38	38	GND	38	38
39	39	GND	39	39
40	40	GND	40	40

### keyboard

1	1		1	1
2	2		2	2
3	3	SCAN_3S_OUT(9)	3	3
4	4	KSCAN_3S_IN(9)	4	4
5	5		5	5
6	6	KSCAN_3S_IN(1)	6	6
7	7	KSCAN_3S_IN(13)	7	7
8	8	SCAN_3S_IN(7)	8	8
9	9	KSCAN_3S_IN(6)	9	9
10	10	KSCAN_3S_IN(5)	10	10
11	11	SCAN_3S_OUT(1)	11	11
12	12	SCAN_3S_OUT(10)	12	12
13	13	SCAN_3S_OUT(6)	13	13
14	14	SCAN_3S_OUT(7)	14	14
15	15	SCAN_3S_OUT(4)	15	15
16	16	SCAN_3S_OUT(8)	16	16
17	17	SCAN_3S_OUT(3)	17	17
18	18	KSCAN_3S_IN(3)	18	18
19	19	KSCAN_3S_IN(1)	19	19
20	20	KSCAN_3S_IN(2)	20	20
21	21	KSCAN_3S_IN(4)	21	21
22	22	KSCAN_3S_IN(0)	22	22
23	23	KSCAN_3S_IN(10)	23	23
24	24	KSCAN_3S_IN(12)	24	24
25	25	KSCAN_3S_IN(8)	25	25
26	26	KSCAN_3S_IN(14)	26	26
27	27	SCAN_3S_OUT(5)	27	27
28	28	SCAN_3S_OUT(2)	28	28
29	29	SCAN_3S_OUT(0)	29	29
30	30	SCAN_3S_OUT(11)	30	30

### Card Bus 6 in 1

1	1	VCC_MC	1	1
2	2	VCC_MC	2	2
3	3	VCC_MC	3	3
4	4	VCC_MC	4	4
5	5	LCD_6IN1	5	5
6	6	GND	6	6
7	7	MS_DATA0_SD_DAT0_SM_D0	7	7
8	8	MS_DATA1_SD_DAT1_SM_D1	8	8
9	9	MS_DATA2_SD_DAT2_SM_D2	9	9
10	10	MS_DATA3_SD_DAT3_SM_D3	10	10
11	11	GND	11	11
12	12	MS_CLK_SD_CLK_SM_ELWPZ	12	12
13	13	GND	13	13
14	14	MS_BS_SD_CMD_SM_WEZ	14	14
15	15	SM_ALE	15	15
16	16	SM_CLE	16	16
17	17	MS_CDZ	17	17
18	18	SD_CDZ	18	18
19	19	SD_WP_SM_CEZ	19	19
20	20	GND	20	20
21	21	SM_REZ	21	21
22	22	GND	22	22
23	23	SM_RBZ	23	23
24	24	SM_D4	24	24
25	25	SM_D5	25	25
26	26	SM_D6	26	26
27	27	SM_D7	27	27
28	28	SM_PHYS_WPZ	28	28
29	29	SM_EDZ	29	29
30	30	GND	30	30

### BLUETOOTH CABLE

1	1	BLUETOOTH_VCC	8	8
2	2	GND	7	7
3	3	USB_P3+	6	6
4	4	USB_P3-	5	5
5	5	LED_BLUETOOTH	4	4
6	6	CH_DATA	3	3
7	7	CH_CLK	2	2
8	8		1	1

### USB CABLE

1	1	+5A_USB	1	1
2	2	+5A_USB	2	2
3	3	+5A_USB	3	3
4	4	+5A_USB	4	4
5	5	USB_P6-	5	5
6	6	USB_P6+	6	6
7	7	USB_P7-	7	7
8	8	USB_P7+	8	8
9	9	GND	9	9
10	10	GND	10	10
11	11	GND	11	11
12	12	GND	12	12

### TOUCHPAD CABLE

1	1	+V3S	1	1
2	2	IM_SS_DATA	2	2
3	3	IM_SS_CLK	3	3
4	4	GND	4	4
5	5		5	5
6	6		6	6
7	7		7	7
8	8		8	8

### AUDIO CABLE

1	1	PR_AOUTL_DB	1	1
2	2	AUDIO_VCC_DB	2	2
3	3	PR_AOUTR_DB	3	3
4	4	AUDIO_VREF_DB	4	4
5	5	HPL_DB	5	5
6	6	GND	6	6
7	7	HPR_DB	7	7
8	8	GND	8	8
9	9	A_MIC1_DB	9	9
10	10	GND	10	10
11	11	A_MIC2_DB	11	11
12	12	GND	12	12

### RJ45

1	1	RJ45TC+	3	3
2	2	RJ45TD-	2	2
3	3	LED_3S_LANLINK#	12	12
4	4		11	11
5	5	+V3S	10	10
6	6		9	9
7	7	RJ45TA+	7	7
8	8	+V3S	9	9
9	9	RJ45TB-	6	6
10	10	RJ45TB+	5	5
11	11	RJ45TC-	4	4
12	12	RJ45TD+	1	1

### RJ11

1	1	TIP	1	1
2	2	RING	2	2
			1	1
			2	2

### SWITCH PCB CABLE

1	1	+V3A	12	12
2	2	+V3S	11	11
3	3	A_EAPD	10	10
4	4	WLN_BY_LED#	9	9
5	5	SCAN_3S_OUT(15)	8	8
6	6	KSCAN_3S_IN(8)	7	7
7	7	KSCAN_3S_IN(9)	6	6
8	8	KSCAN_3S_IN(10)	5	5
9	9	KSCAN_3S_IN(11)	4	4
10	10	KSCAN_3S_IN(12)	3	3
11	11	KSCAN_3S_IN(13)	2	2
12	12	GND	1	1

## INVENTEC

TITLE  
DAVOS-DF  
Cables

SIZE	CODE	DOC. NUMBER	REV
A3	CS	PC9603	A01

CHANGE by *Kevin Tseng* 4-Nov-2004

SHEET 64 OF 65



<b>IEC / HP Davos 1.0 Schematic Changes</b>				<b>PV-1</b>				
<i>HP Confidential Information</i>					Last Updated: <b>October 28, 2004</b>			
<b>Item #</b>	<b>Component / Subsection</b>	<b>PG. #</b>	<b>Description of Requested Change</b>	<b>Date Open / Closed</b>	<b>Requested By</b>	<b>Status</b>	<b>IEC FBK/Date</b>	
1	ITP Conn (CN22)	19	Zone C6. Add 0.1uF no install capacitors pads to the following traces: H_TMS H_TCK H_TDO H_TRST# ITP_DBRESET Place the pads as close to the ITP conn as possible and keep the stubs as short as possible.	2004/9/17	BR	Open	Zone C6. Add 0.1uF no install capacitors pads to the following traces: H_TMS(C5003) H_TCK(C5004) H_TDO(C5005) H_TRST#(C5006) ITP_DBRESET(C5007) Place the pads as close to the ITP conn as possible and keep the stubs as short as possible.	
2	Alviso	22	Zone C6. Add 0.1uF no install capacitor to H_CPURST#. Place the pads as close to Alviso as possible and keep the stubs as short as possible.	2004/9/17	BR	Open	Add C5008 to H_CPURST#. But there is no place can put the pad close to Alviso, so that put it close to ITP connector.	
3	Wireless button	63	Zone F3, Delete pin2 & 4 of SW2 to ground, made it to NC.	2004/9/27	IEC	Open	Fixed in 0927.	
4	6 in 1	50	Change pin2&3 of U42, pin1 of R720 to from +V5S to +V3S.	2004/9/27	IEC	Open	Fixed in 0927.	
5	6 in 1	50	Zone D6, Exchange pin define of CN5001, pin20, pin21.	2004/9/27	IEC	Open	Fixed in 0927.	
6	Power	11	Zone B4, Change C198 to 4.7uF_6.3V-for GSM interference issue.	2004/9/27	IEC	Open	Fixed in 0927.	
7	Thermal	20	Zone D5, Change C290 to 4.7uF_6.3V-for GSM interference issue.	2004/9/27	IEC	Open	Fixed in 0927.	
8	CRT	30	Zone C1, Add three analog bus switches to the RGB lines going to the notebook CRT connector.	2004/9/17	HP	Open	Zone C1, Add three analog bus switches(U2001, U2002, U2003) to the RGB lines going to the notebook CRT connector.	
9	CLK gen	15	Zone C3, Change CLK_R3S_CBPCI from pin5(PCI5) of U30 to pin56(PCI2), Separate CLK_R3S_SIOPCI and CLK_R3S_FWHPCI from pin4(PCI4), and connect CLK_R3S_SIOPCI to pin5(PCI5) of U30.	2004/10/4	IEC	Open	Fixed in 1004.	
10	CLK gen	15	Zone C3, Change R667, R712, R397, R650 to 12.1_1%, change R398, R711 to 33_5%.	2004/10/4	IEC	Open	According to Sonoma Platform Design Guide, PCICLK for sharing and alone should be different resistor value, 12.1% for sharing, 33_5% for alone.	
11	ITP port	19	Zone C5, change R303 to open.	2004/10/4	IEC	Open	According to Sonoma Platform Design Guide Section 4.6.1.4 – ITP disable guidelines, we don't need R303 on TDO, if ITP disable.	
12	CLK gen	15	Zone B6, Change R329, R330 to open.	2004/10/4	IEC	Open	For ITP disable.	
13	NIC	15	Change NIC cotroller and related circuits to FF used.	2004/10/4	IEC	Open	For FF and DF schematic be separated.	
14	Powergood circuit	13, 14	Sheet 13 zone C3. Connect PWR_GOOD_3 signal to pin 3 of Q28. Sheet 14 zone A6. Change R138 from10K5% to OPEN.	2004/10/6	BR	Open	This fixes OTS#138447 System will reboot instead of going into standby.--Fixed in 10/07.	
15	Audio	45	Zone B7. Change C286 from 330uF_6.3V_METAL to OPEN	2004/10/6	BR	Open	Fixes OTS#014280 and OTS#0142219 Audio noise issues. This capacitor is not needed per our audio engineer.--Fixed in 10/07.	
16	North bridge	24	Zone D4. Change L23 to FBM_11_322513_201A40T---in order to can handle up to 4A.	2004/10/7	HP	Open	--Fixed in 10/07.	

17	NIC	56	Zone E8, Remove CN28 for lan signal to docking going to on board.	2004/10/8	IEC	Open	--Fixed in 10/08.
18	NIC	57	Zone E8, Remove CN10 for lan signal to docking going to on board.	2004/10/8	IEC	Open	--Fixed in 10/08.
19	All	All	Change reference, C5003->C713, C5004->C714, C5005->C715, C5006->C716, C5007->C717, C5008->C718, U2001->U512, U2001->U512, U2002->U513, U2003->U514.	2004/10/8	IEC	Open	--Fixed in 10/08.
20	Power	7	Add 1000pf cap(C719). from R743p1 to GND Add .1uf cap(C720). from U510p2 to GND Add 220k(R776) from U509p1 ()to U509p3. Disconnect V3AL_OFF# from U510p7 Disconnect Q533p3 from R742 Add NFET(Q534), tie gate to Q533p1, drain to Q533p3 and to V3AL_OFF#, and source to R742p2 & U510p1. Change U509 to MIC5235 Change R740 to 30.1k	2004/10/9	HP	Open	Issue was discovered with U510 pg7 in which it could begin to oscillate pulling down +V5AL prohibiting the system from booting. --Fixed in 10/11 schematic.
21	VGA	30	Change pin 5 of U512/U513/U514 from +V2.5S to +V5S, Change pin1 from PREP# to ISO_PREP.	2004/10/11	IEC	Open	Change its VCC to +V5S for having a lower Ron, change enable pin of switch from PREP# to ISO_PREP# for preventing switch active when system off. --Fixed in 10/11.
22	Audio	43	Change pin2 of L51 connect to pin1 of C362/C687/C686.	2004/10/11	IEC	Open	For SI2 Audio low level test failed issue. --Fixed in 10/11.
23	Power	13	Change R332 to 1K.	2004/10/12	HP	Open	470 pullup for PWR_GOOD is too strong. --Fixed in 10/12.
24	ITP	13	Add C721, C722, C723, C724, C725, C726--0.027uF no install caps on following signals--H_BPM0_ITP#, H_BPM1_ITP#, H_BPM2_ITP#, H_BPM3_ITP#, H_BPM4_PRDY#, H_BPM5_PREQ#, H_TCK.	2004/10/12	HP	Open	AC/DC transition & hang issue. --Fixed in 10/12.
25	Power	5	Zone A4, R14 from 909 change to 221----Change OCP value.	2004/10/13	IEC	Open	Issue for OCP is throttling the CPU on AC --Fixed in 10/22
26	Power	11	Zone B5, Add a 300 ohm resistor(R777) between C592 and +VBATR that can reduce Vcore drop during +VbatR raising.	2004/10/14	IEC	Open	AC/DC transition & hang issue. --Fixed in 10/22
27	Audio	45	Zone B7, Remove C286 in order to place two transformers.	2004/10/14	IEC	Open	Fixed in 10/22
28	Power	10	Delete original circuits, add U47(TPS51100), R778, C466, C467, C468, C469, C470, C471.---For M_VREF is going to 0V when the failing system (Davos SI2 Model 1 with 256MB ProMOS memory) is returning from S3.	2004/10/26	IEC	Open	Fixed in 10/26
29	NIC	56	Change U46 to Pericom PI3L301DA, add C472, C5005, C474, C475. Add one more transformer(U48) Bothhand GST5009 and C476, C477, C478, C479, R779, R780, R781, R782, C488 Also change U41 to GST5009. Add no install resistors--R783, R784, R785, R786 for DF only.	2004/10/22	IEC	Open	Fixed in 10/22--update in 11/04
30	Power	11	Add eight 0.01uF(no install) caps(C480, C481, C482, C483, C484, C485, C486, C487), and C473 no install bulk cap on +VBATR plane.--for decoupling noise from +VBATR	2004/10/22	IEC	Open	Fixed in 10/22--update in 11/04

31	RTC	32	Zone B3, Change X4 to vail used, change C389, C429 from 15pF to 10pF in bom.	2004/10/27	IEC	Open	Fixed in 10/27
32	Alviso	21	Zone C6, Change R590 from 255_1% to 243_1% to modify R,G,B max Voltage and this change can make R,G,B max Voltage meet the SPEC value.	2004/10/27	HP	Open	Fixed in 10/27
33	Switch board	63	Change R4001, R4002 from 270_5% to 1.8K--change LED brightness.	2004/10/27	HP	Open	Fixed in 10/27
34	LEDs	60	Change R483, R471 from 270_5% to 100_5%, <b>change R478, R752 to 150_5%, change R474 to 220_5%</b> -change LED brightness.	2004/10/27	HP	Open	Fixed in 10/27---update in 11/04
35	NIC-DF only	54	<del>Re-install Q39, Q36, L39, U27, U29, U28, R340, R341, remove L52, R751</del> --For BCM4401 have worse power consumption.----- <b>We drop this change because OTS144058 had been closed by waiver approved.</b>	2004/10/27	IEC	Open	Fixed in 10/27---update in 11/04
36	Alviso	21	Zone D1, Change R177, R194 to open.---Intel has also stated that the fix for this problem with the Alviso pulling too much current is to remove the OCDCOMP[1:0] resistors on Alviso	2004/10/28	HP	Open	Fixed in 10/28
37	ICH6	33	Zone E3, Add 100k pulldown( <b>R787</b> ) from PM_DPRSLPVR to GND.	2004/10/28	HP	Open	Fixed in 10/28