

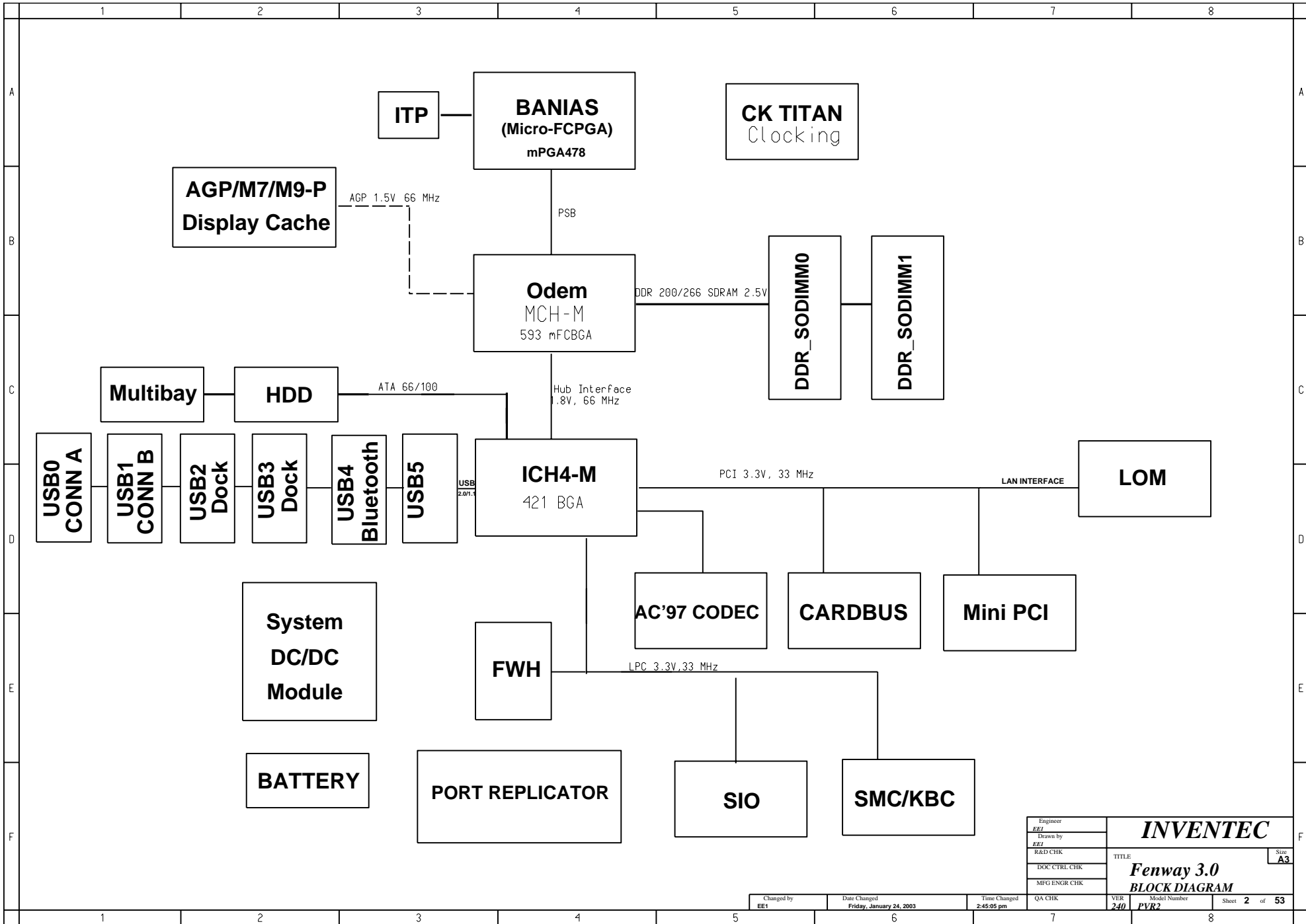
TABLE OF CONTENTS

Revisions			Approvals			
REV	ECN NO.	Description Of Change	DATE	DFTG.	ENGR.	REL.

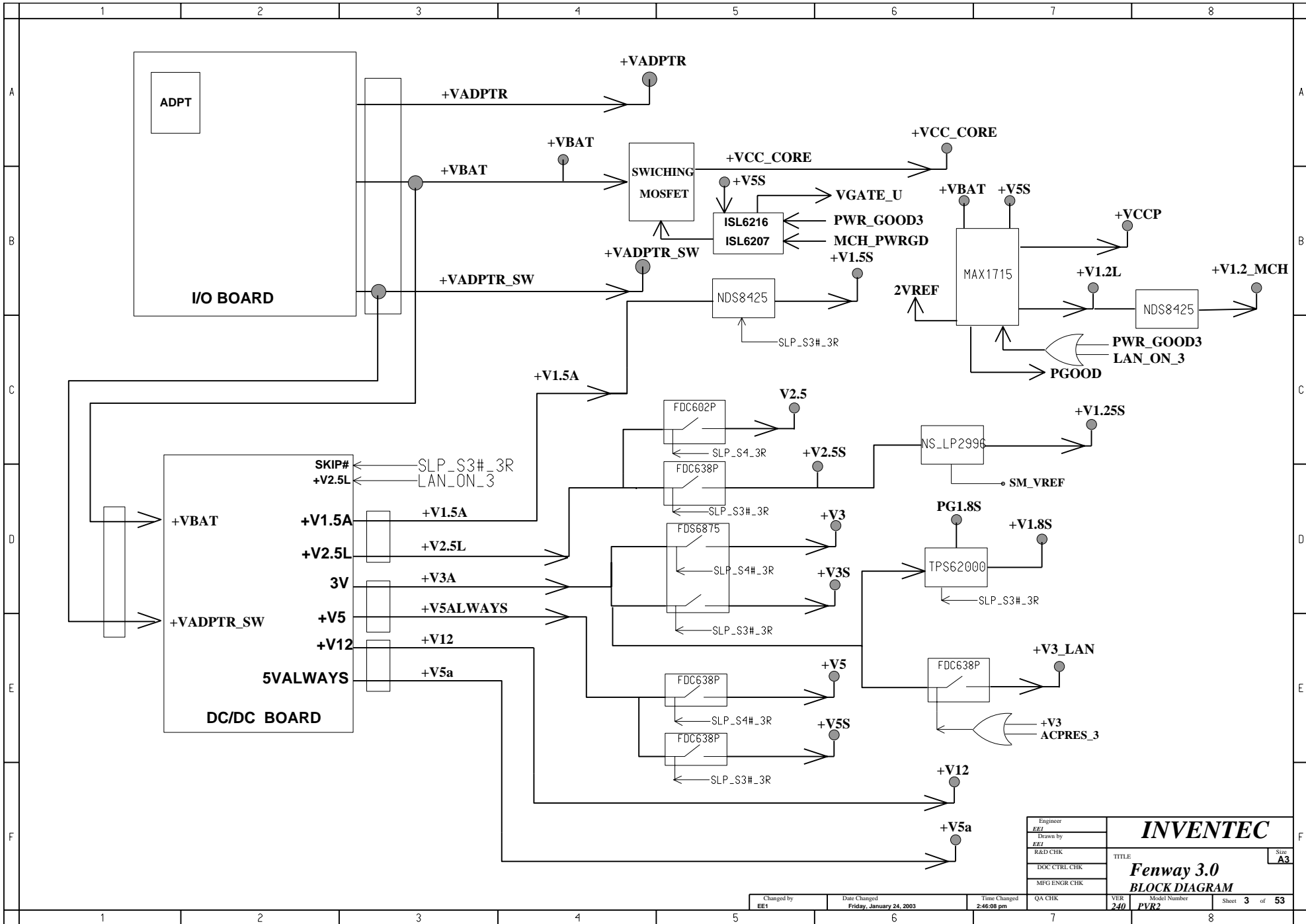
PAGE	
4 - CLOCK GENERATOR	
5-7 - BANIAS PROCESSOR	
8-10 - ODEM	
11-14 - DDR	
15,16 - ATI_M7/M9_P	
17 - VIDEO RAM	
18 - CRT & LCD INVERTER CONNECTOR INTERFACE	
19,20 - ICH4-M	
21 - SUPER-I/O	
22 - KAHUNA LITE	
23 - FWH & EEPROM	
24 - SERIAL & PARALLEL PORTS	
25 - CARDBUS CONTROLLER	
26 - PC CARD SLOT	
27 - AC97 CODEC	
28 - EQ & MIC JACK	
29 - AUDIO AMP & HP JACK	
30 - MB PWR AND SWITCH	
31 - HDD CONNECTOR	

PAGE
32 - MULTIBAY
33 - INT KBD./ POINTING DEVICE
34 - LID SWITCH/LEDS
35 - PORT REPLICATOR
36 - MINI PCI
37 - USB, IR
38 - MULTIPOINT/BLUETOOTH
39 - THERMAL SENSOR & FAN CONTROLLER
40 - BATT CONN
41 - PWR MODULE CONN
42 - DECOUPLING CAPS
43 - DRILL HOLE
44 - HIGH SPEED
45 - PULL UPS
46,47 - LAN INTERFACE
48-51 - POWER
52 - IO BOARD
53 - POWER ON SEQUENCE

Engineer <i>EEI</i>	INVENTEC					
Drawn by <i>EEI</i>						
R&D CHK						
DOC CTRL CHK						
MFG ENGR CHK						
TITLE Fenway 3.0	Size A3					
TABLE OF CONTENTS						
Changed by EE1	Date Changed Friday, January 24, 2003	Time Changed 2:43:52 pm	QA CHK	VER 240	Model Number PVR2	Sheet 1 of 53

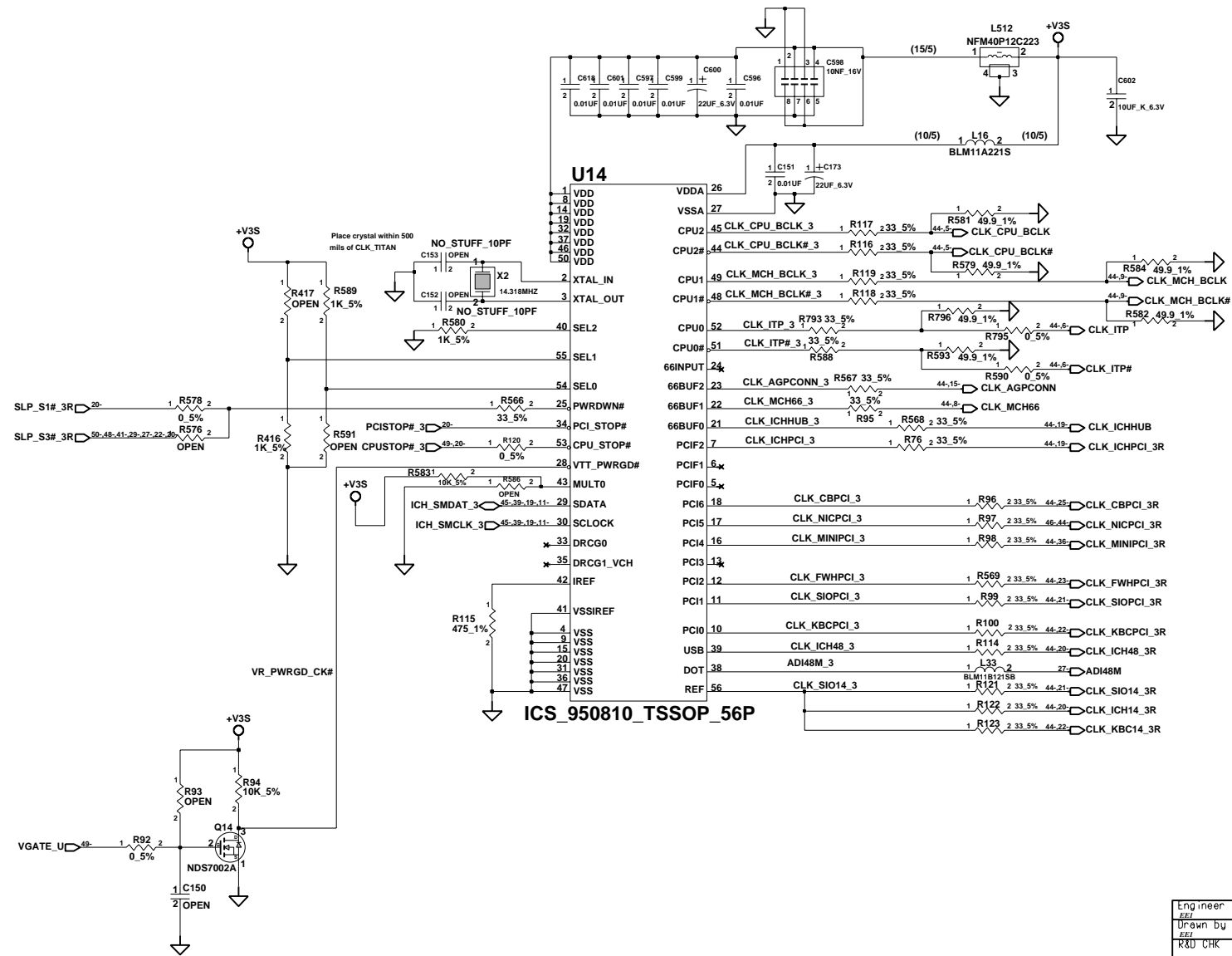


Engineer <i>EE1</i>	INVENTEC				
Drawn by <i>EE1</i>					
R&D CHK				TITLE Fenway 3.0	Size A3
DOC CTRL CHK				BLOCK DIAGRAM	
MFG ENGR CHK				VER 240	Model Number PVR2
Changed by EE1	Date Changed Friday, January 24, 2003	Time Changed 2:45:05 pm	QA CHK	Sheet 2 of 53	



Engineer <i>EEI</i>	INVENTEC TITLE: Fenway 3.0 BLOCK DIAGRAM	Size A3
Drawn by <i>EEI</i>		
R&D CHK		
DOC CTRL CHK		
MFG ENGR CHK		

Changed by EE1	Date Changed Friday, January 24, 2003	Time Changed 2:46:08 pm	QA CHK	VER 240	Model Number PVR2	Sheet 3 of 53
--------------------------	---	-----------------------------------	--------	-------------------	-----------------------------	-----------------------------



Engineer EET	<p style="text-align: center;">INVENTEC</p> <p style="text-align: center;">TITLE</p> <p style="text-align: center;">Fenway 3.0</p> <p style="text-align: center;">CLK GENERATOR</p>	S178 A3
Drawn by EET		
R&D CHK		
DOC CTRL CHK		
MFG ENGR CHK		

Changed by EET	Date Changed Friday, January 24, 2003	Time Changed 2:47:10 pm	QA CHK	VER 240	Model Number PVR2	Sheet 4 of 53
-------------------	--	----------------------------	--------	------------	----------------------	---------------

A

B

C

D

E

F

A

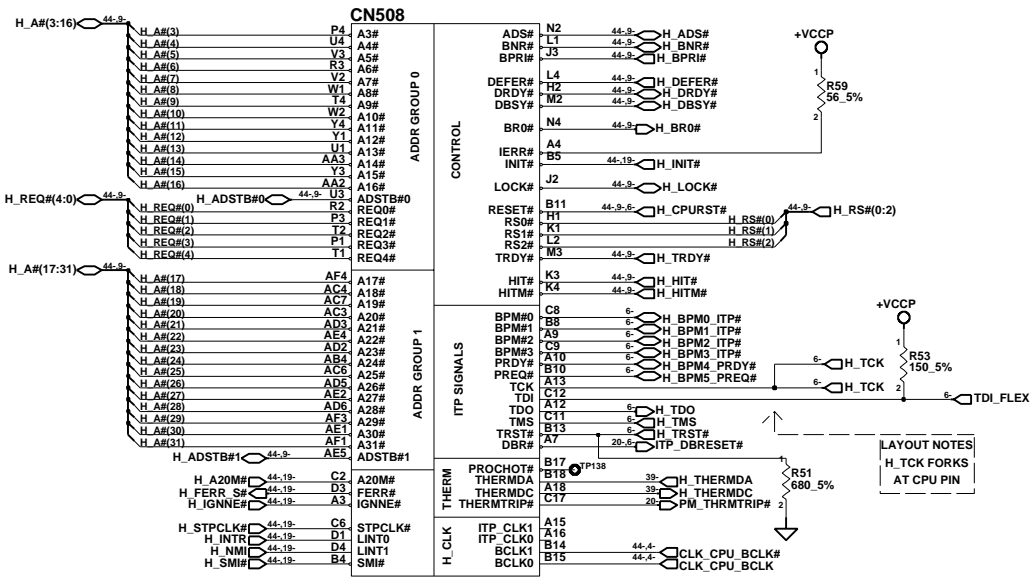
B

C

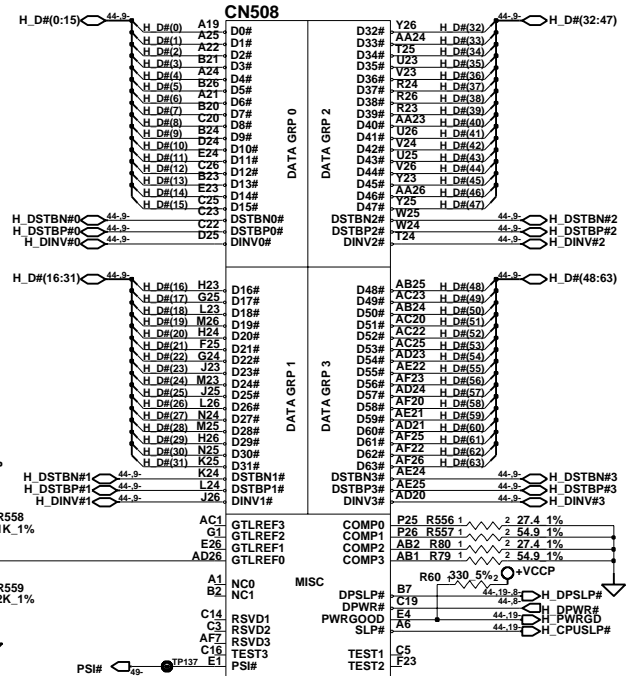
D

E

F



AMP_MPGA479M_C_1376756_479P_BANIAS

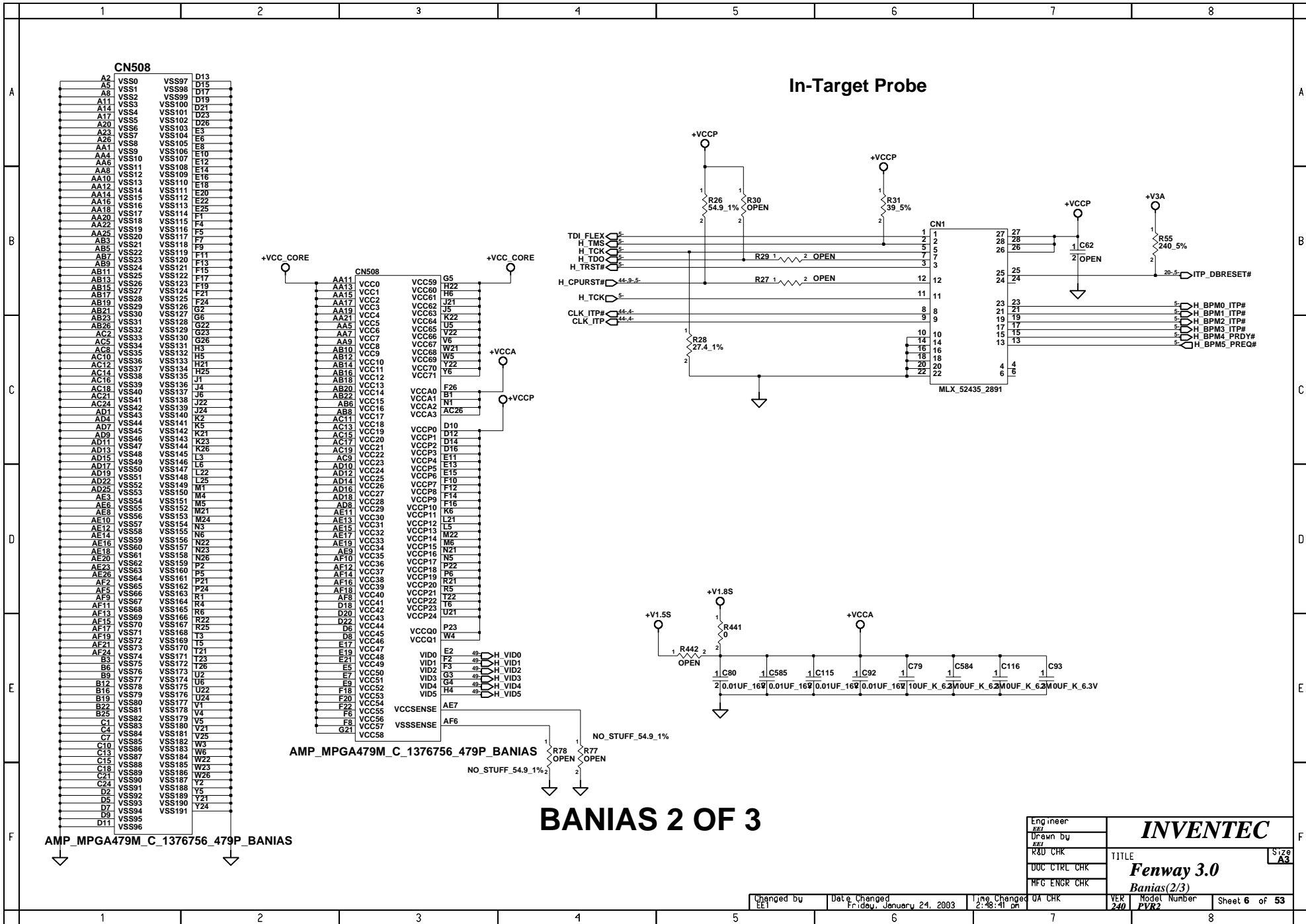


AMP_MPGA479M_C_1376756_479P_BANIAS

BANIAS 1 OF 3

Engineer	INVENTEC	
Drawn by	TITLE	
R3D CHK	Fenway 3.0	
DOC CTRL CHK	Banias(1/3)	
MFG ENGR CHK	Model Number	Sheet 5 of 53

Changed by	Date Changed	Time Changed	QA CHK	VER	Model Number	Sheet 5 of 53
EE1	Friday, January 24, 2003	2:48:14 pm		240	PVR2	



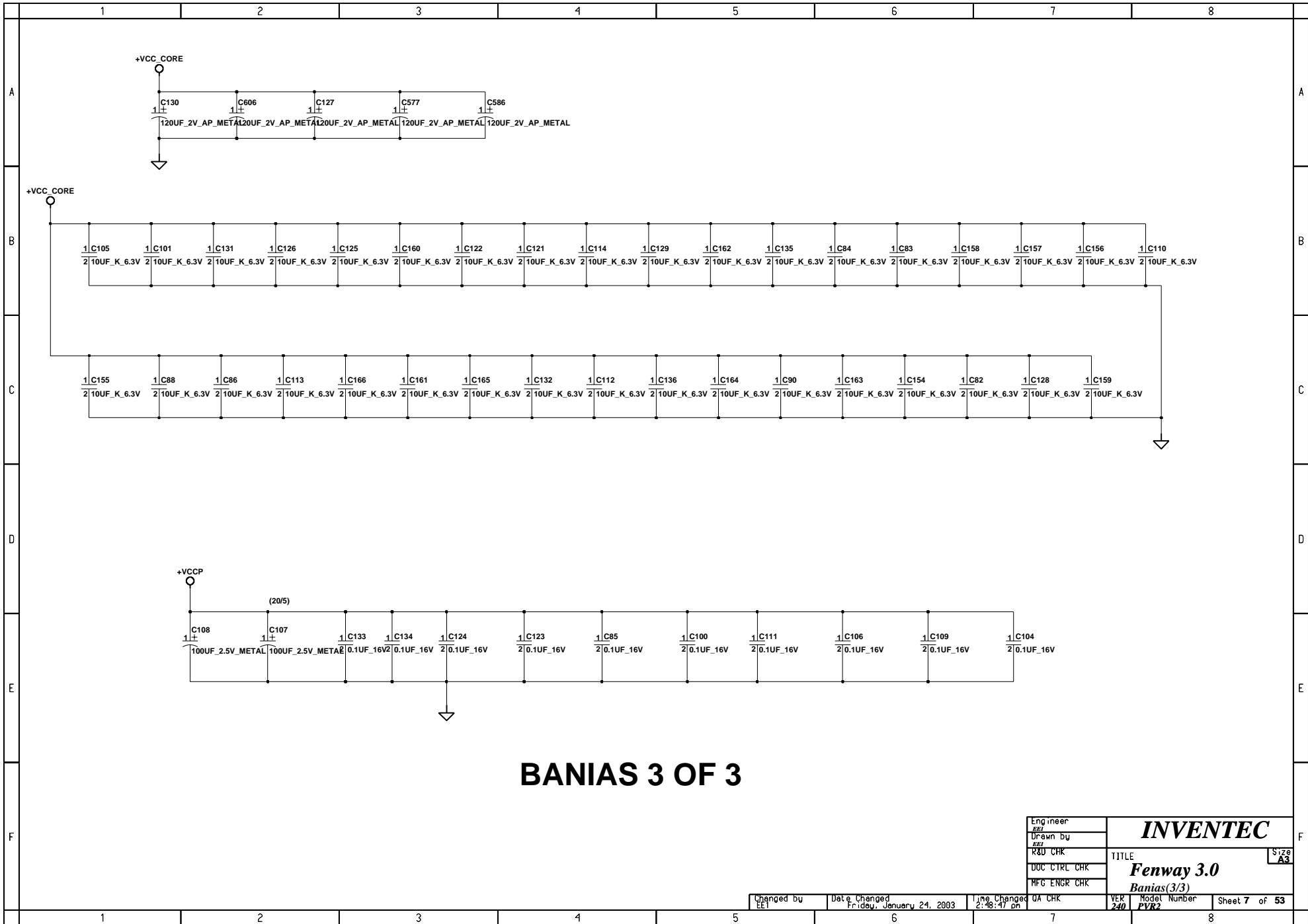
In-Target Probe

BANIAS 2 OF 3

Engineer	
Drawn by	
R3D CHK	
DOC CTRL CHK	
MFG ENGR CHK	
Model Number	VER 240
Sheet 6 of 53	

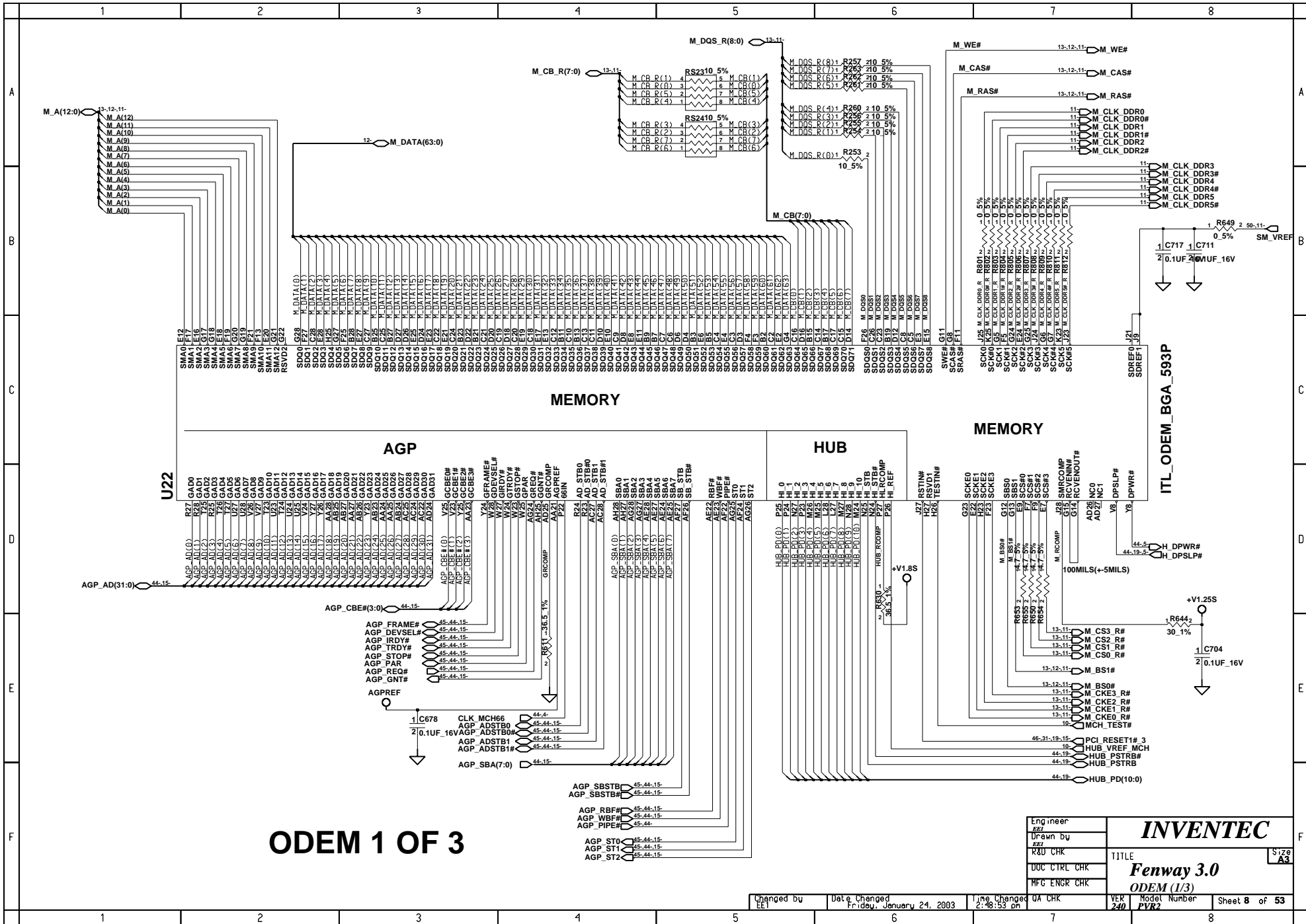
INVENTEC

TITLE
Fenway 3.0
Banias(2/3)



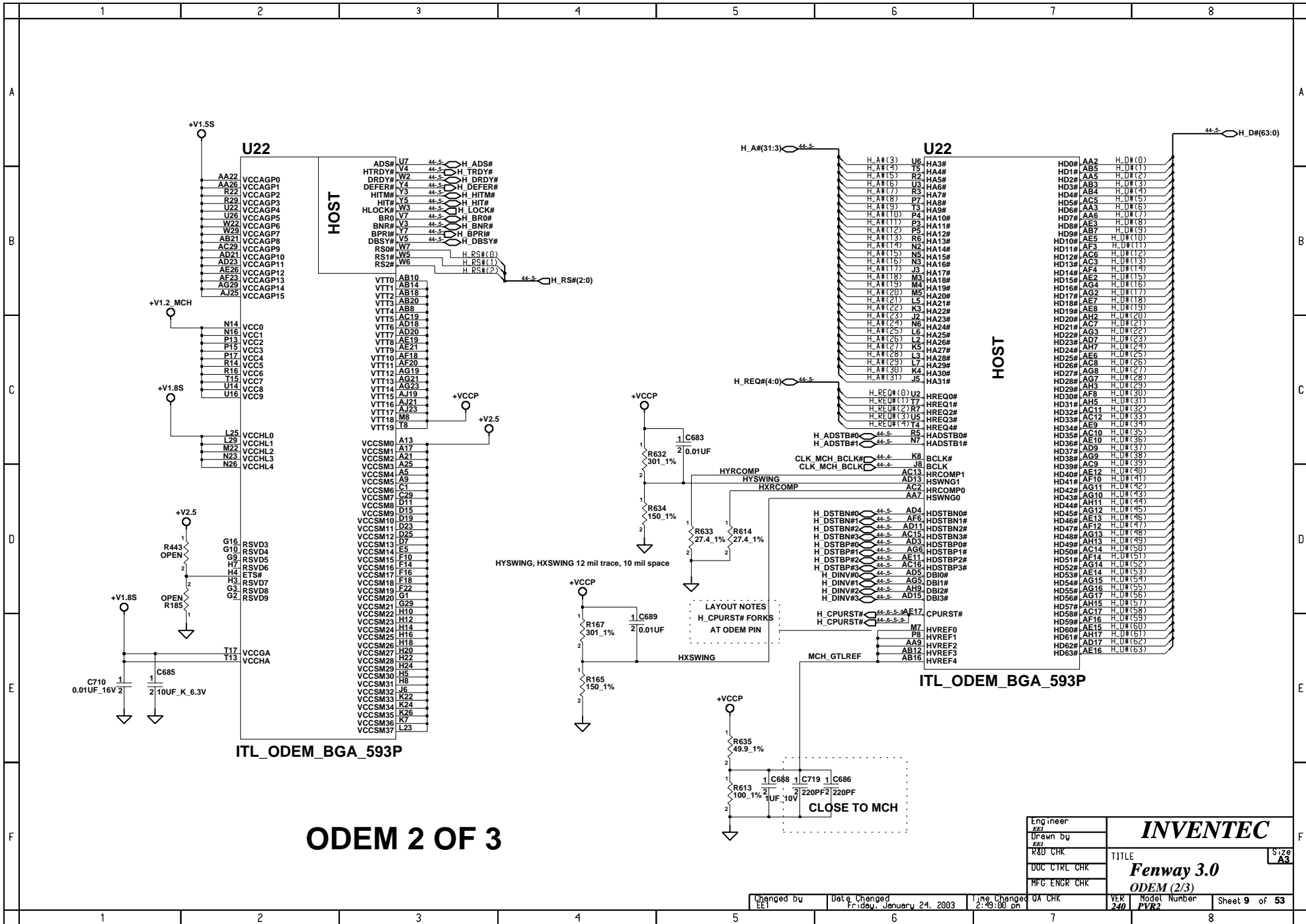
BANIAS 3 OF 3

Engineer <i>EE1</i>	INVENTEC	TITLE Fenway 3.0 Banias(3/3)	Size A3
Drawn by <i>EE1</i>			
R3D CHK			
DOC CTRL CHK			
MFG ENGR CHK	Model Number PVR2	Sheet 7 of 53	
Changed by <i>EE1</i>	Date Changed Friday, January 24, 2003	Time Changed 2:48:47 pm	QA CHK



ODEM 1 OF 3

Engineer	
Drawn by	
RDU CHK	
DOC CTRL CHK	
MFG ENGR CHK	
TITLE	Fenway 3.0
Model Number	ODEM (1/3)



ODEM 2 OF 3

Engineer		INVENTEC TITLE Fenway 3.0 ODEM (2/3)	S128 A3
Drawn by			
R3D CHK			
DOC CTRL CHK			
MFG ENGR CHK			

Changed by	Date Changed	Time Changed	UA CHK	VER	Model Number	Sheet 9 of 53
EE1	Friday, January 24, 2003	2:49:00 pm		240	PVR2	

A

B

C

D

E

F

A

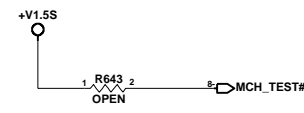
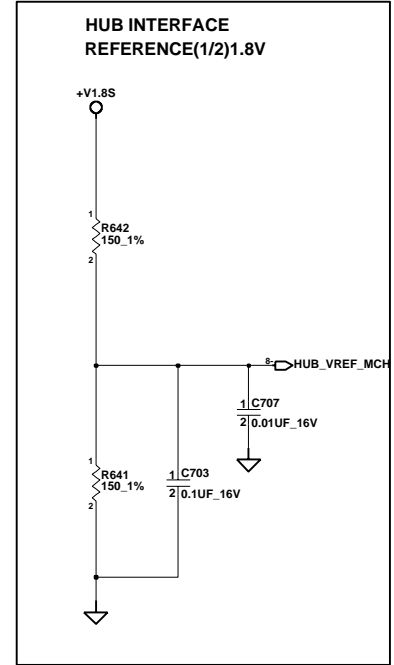
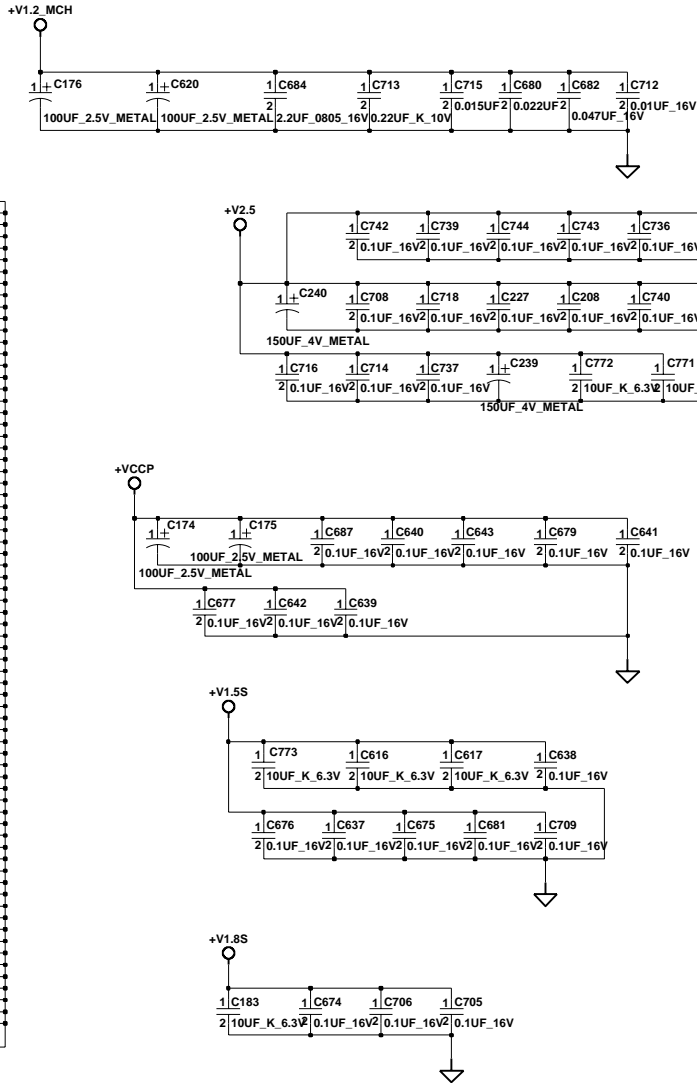
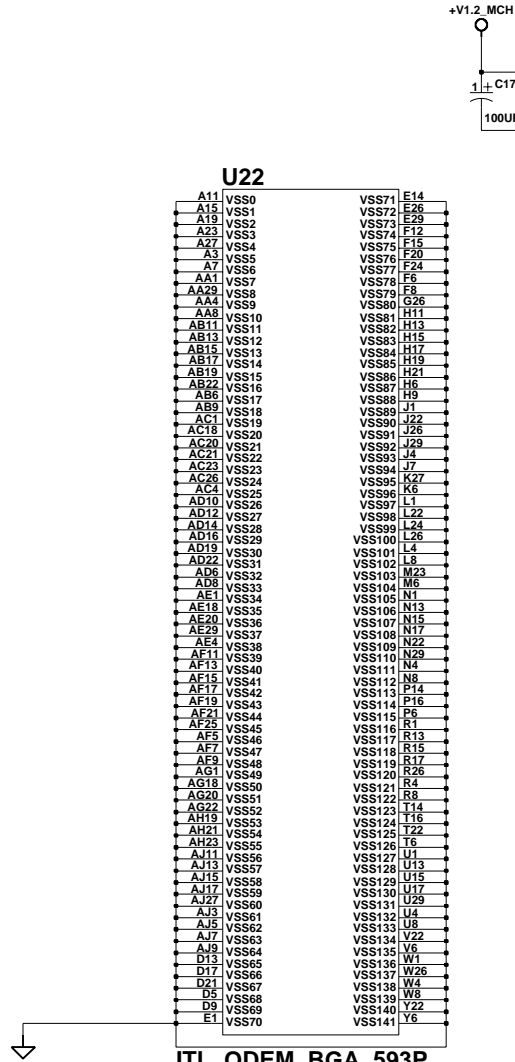
B

C

D

E

F



ODEM 3 OF 3

Engineer EE1	INVENTEC TITLE Fenway 3.0 ODEM (3/3)	Sheet 10 of 53
Drawn by EE1		
R3D CHK		
DOC CTRL CHK		
PRG ENGR CHK		

Changed by EE1	Date Changed Friday, January 24, 2003	Time Changed 2:43:57 pm	QA CHK	VER 240	Model Number PVR2
-------------------	--	----------------------------	--------	------------	----------------------

A

B

C

D

E

F

A

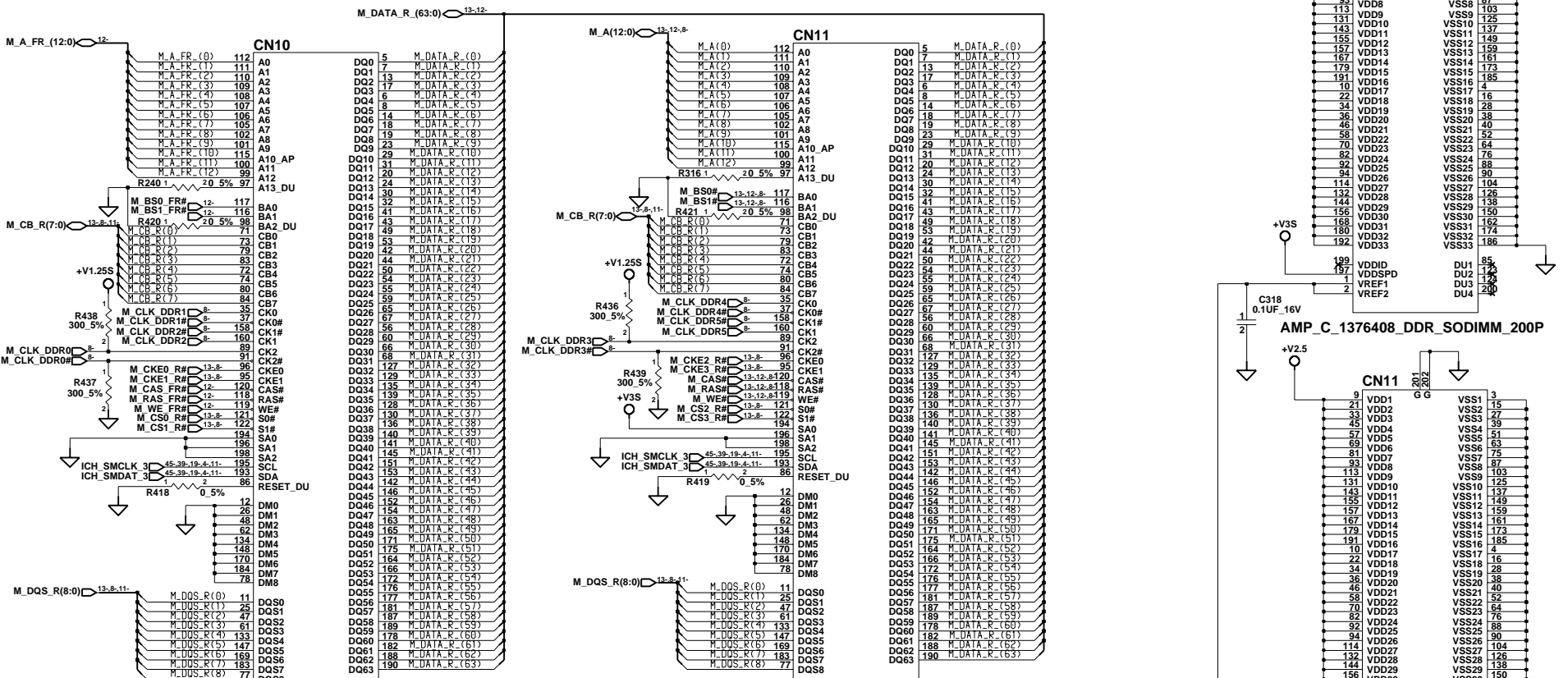
B

C

D

E

F



AMP_C_1376408_DDR_SODIMM_200P

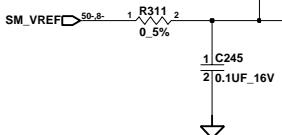
AMP_C_1376409_DDR_SODIMM_REV_200P

SO DIMM 0

SO DIMM 1

SCK/SCK#(0)=SCK/SCK#(1)=SCK/SCK#(2)
 SCK/SCK#(3)=SCK/SCK#(4)=SCK/SCK#(5)
 DQ=CB=DQS
 SCK(2:0) be longer than DQS 1"-2"
 SCK(5:3) be longer than DQS 1"-2"
 SDQ(63:0) from MCH to DIMM0 2"-3.5"
 SCS#SCKE from MCH to DIMM0 2"-4.5"
 SMA(12:0),SBS(1:0),SRAS#,SCAS#,SWE# 2"-3.5"
 SCK 3"-6.5"

SCK(2:0) be longer than SCS(1:0),CKE(1:0) 1"-3"
 SMA(12:0),SBS(1:0) RAS#,CAS#,WE#
 SCK(5:3) be longer than SCS(3:2),CKE(3:2) 1"-3"
 SMA(12:0),SBS(1:0) RAS#,CAS#,WE#



AMP_C_1376409_DDR_SODIMM_REV_200P

Eng Ineer	
Drawn By	
R3D CHK	
DOC CTRLR CHK	
MFG ENGR CHK	

INVENTEC

TITLE
Fenway 3.0
 DDR(1/4)

S178
A3

A

B

C

D

E

F

A

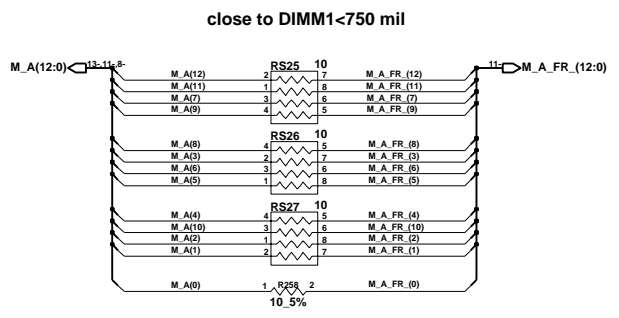
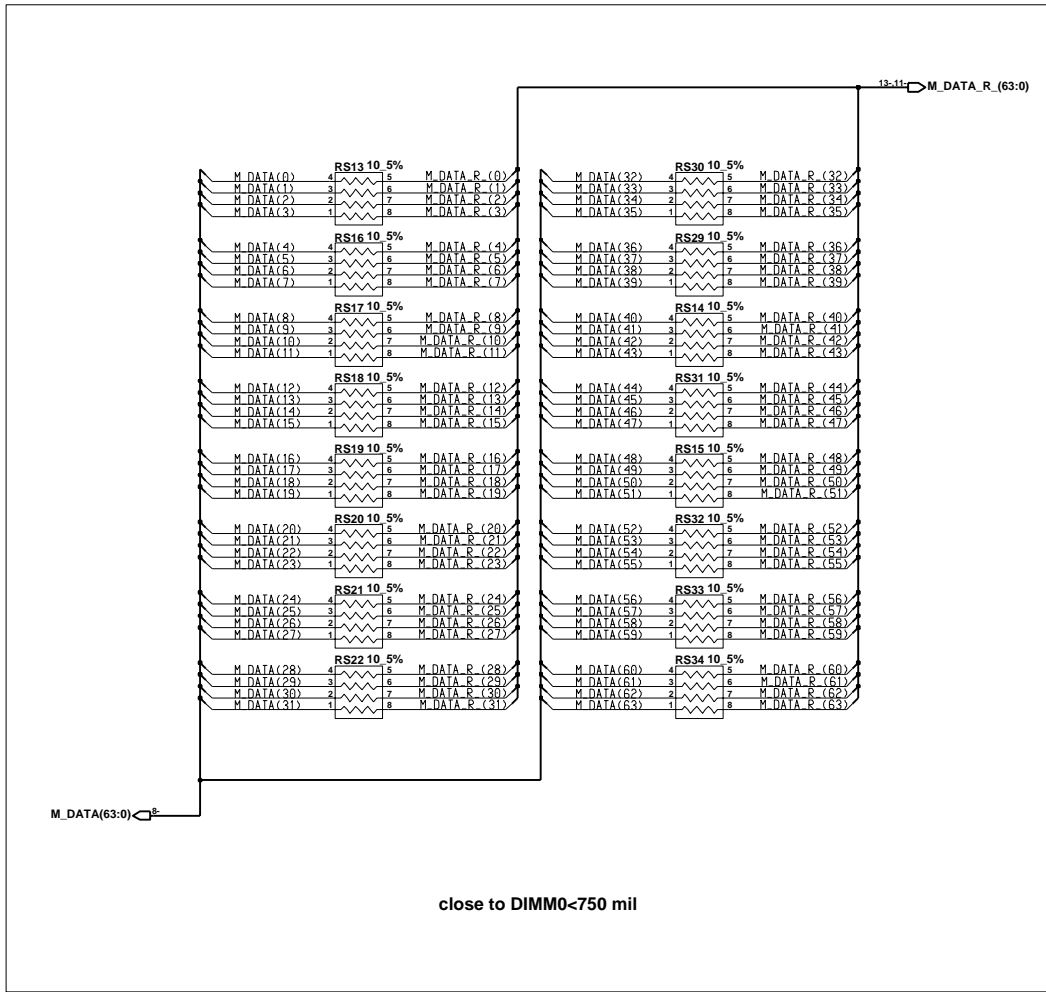
B

C

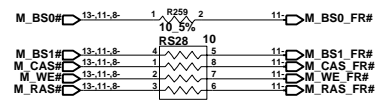
D

E

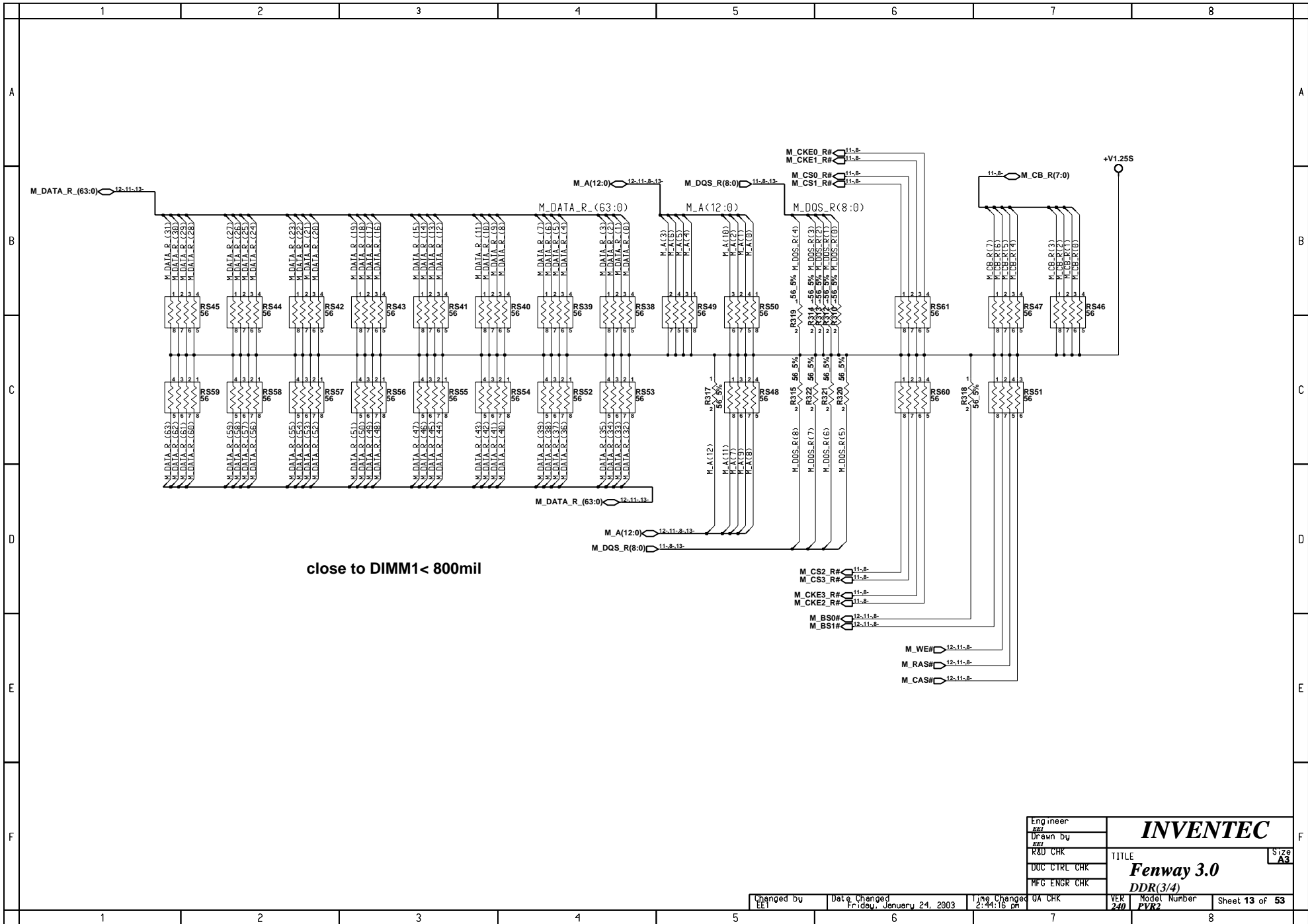
F



ALL RESISTORS ARE 10 ohm



Engineer EE1	INVENTEC TITLE Fenway 3.0 Model Number DDR(2/4)	Sheet 12 of 53
Drawn by EE1		5/29 A3
R3D CHK		
DOC CTRL CHK		
HF6 ENGR CHK		



close to DIMM1 < 800mil

Engineer EE1	INVENTEC TITLE Fenway 3.0 DDR(3/4)	S178 A3
Drawn by EE1		
R3D CHK		
DOC CTRL CHK		
MFG ENGR CHK		
Changed by EE1	Date Changed Friday, January 24, 2003	Time Changed 2:44:16 pm
Model Number PVR2	Sheet 13 of 53	

A

B

C

D

E

F

A

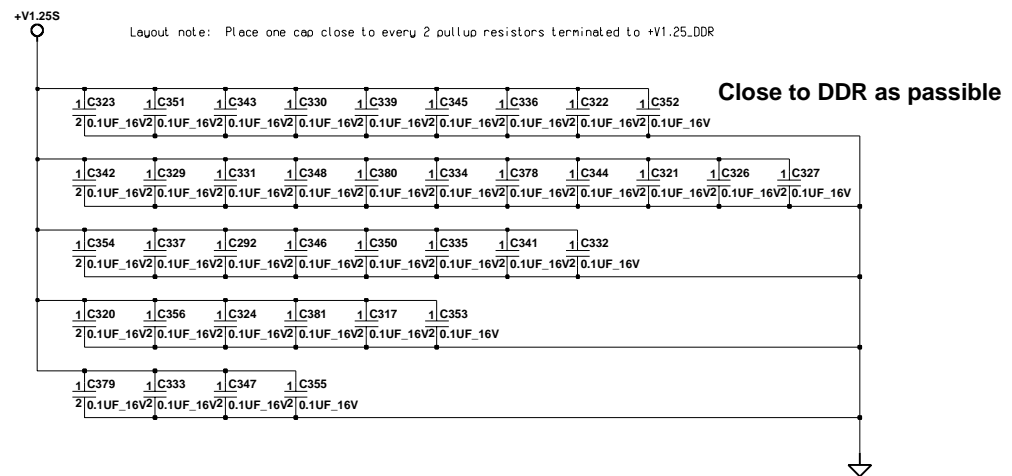
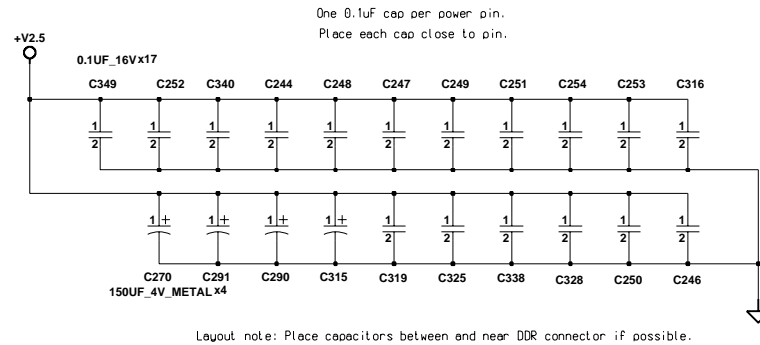
B

C

D

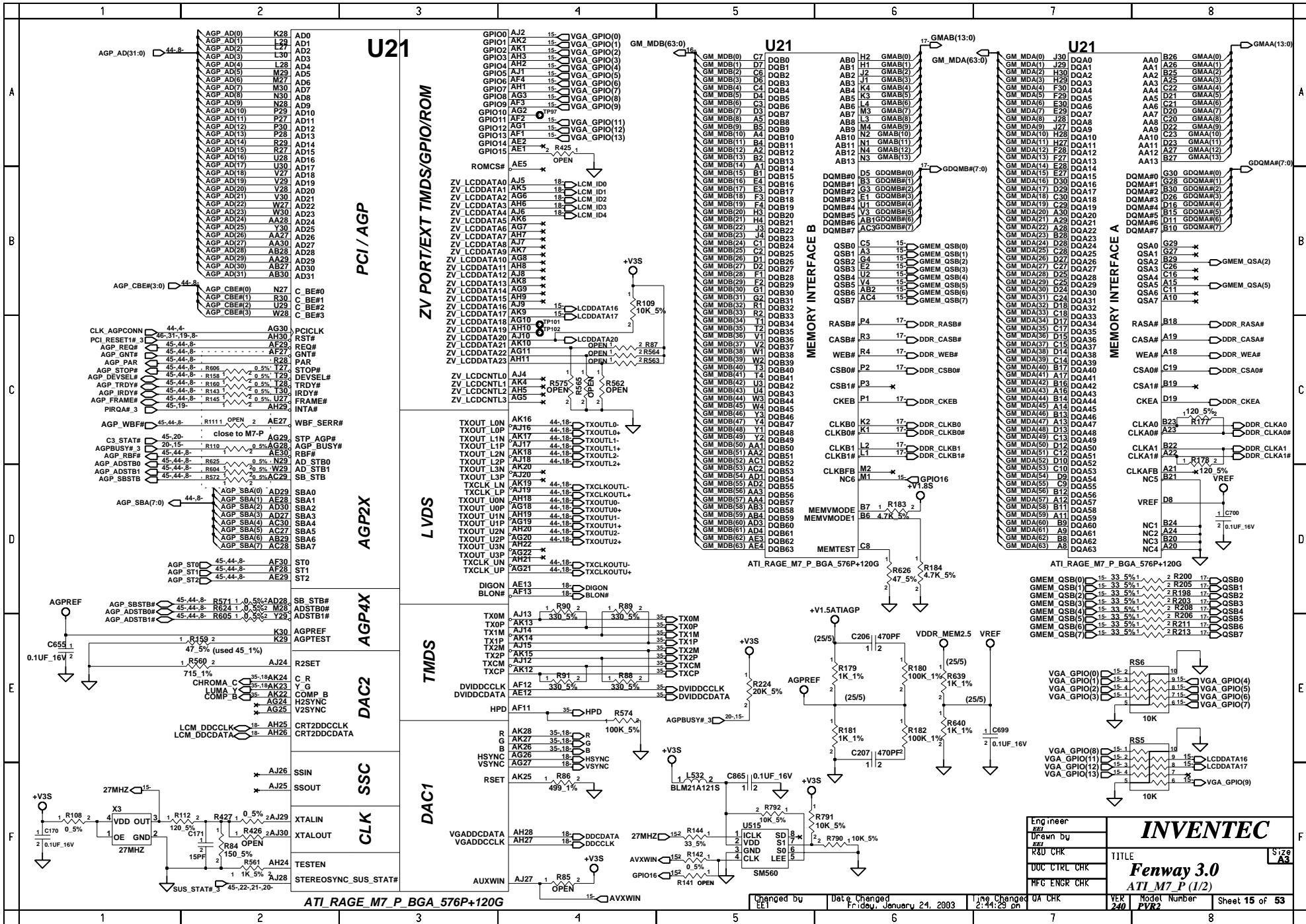
E

F



Engineer EE1	INVENTEC	TITLE Fenway 3.0 DDR(4/4)	Model Number PVR2	Sheet 14 of 53
Drawn by EE1				
R3D CHK				
DOC CTRL CHK				
MFG ENGR CHK				

Changed by EE1	Date Changed Friday, January 24, 2003	Time Changed 2:44:21 pm	QA CHK	VER 240
-------------------	--	----------------------------	--------	------------

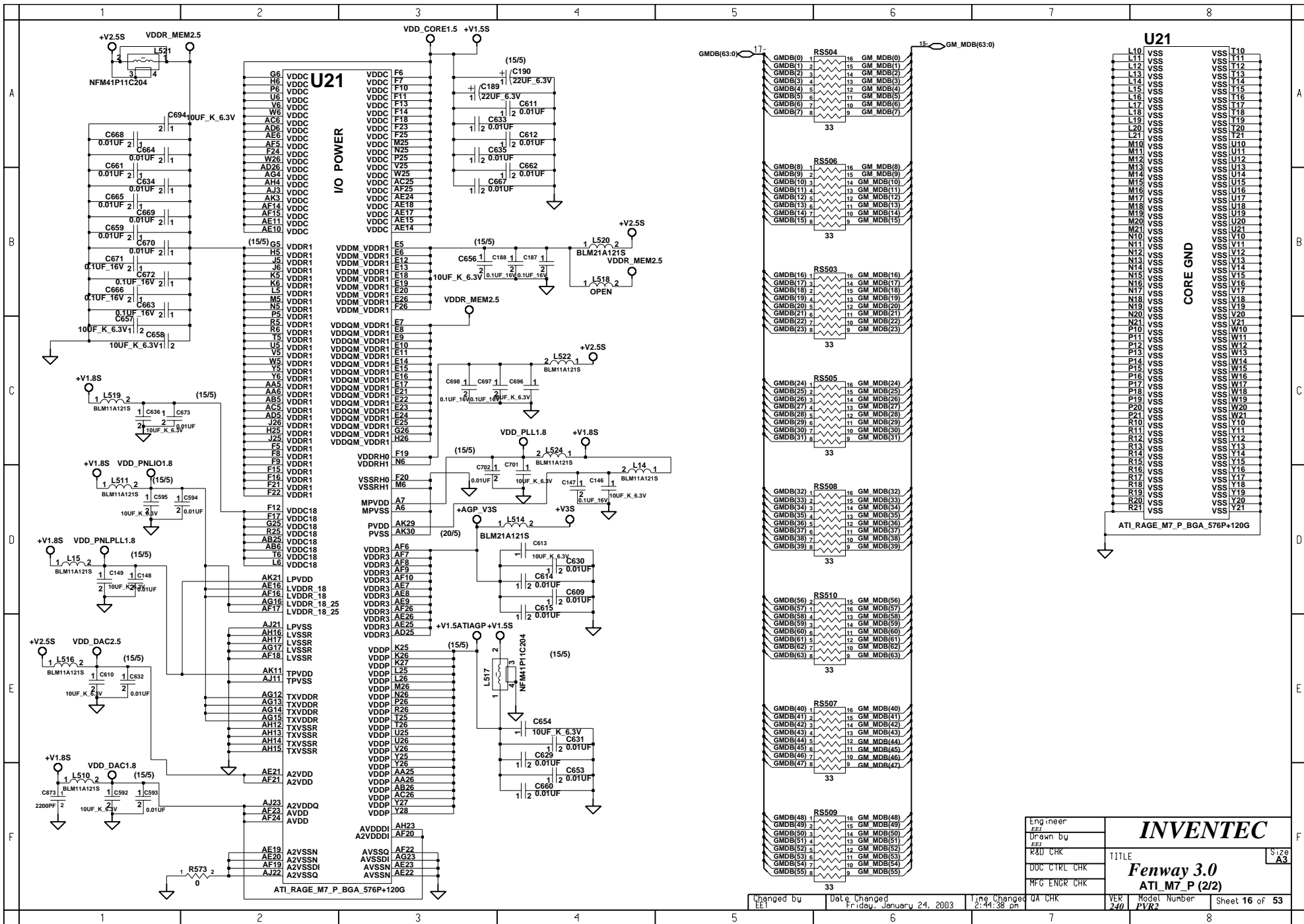


INVENTEC

Fenway 3.0
ATI M7 P (1/2)

Eng. near	Model Number
Drawn by	UA CHK
R3U CHK	DATE
DUC CTRL CHK	Sheet 15 of 53
HFC ENGR CHK	

Changed by: EET
Date Changed: Friday, January 24, 2003
Time Changed: 2:44:29 pm



U21

L10	VSS	T10
L11	VSS	T11
L12	VSS	T12
L13	VSS	T13
L14	VSS	T14
L15	VSS	T15
L16	VSS	T16
L17	VSS	T17
L18	VSS	T18
L19	VSS	T19
L20	VSS	T20
L21	VSS	T21
M10	VSS	U10
M11	VSS	U11
M12	VSS	U12
M13	VSS	U13
M14	VSS	U14
M15	VSS	U15
M16	VSS	U16
M17	VSS	U17
M18	VSS	U18
M19	VSS	U19
M20	VSS	U20
M21	VSS	U21
N10	VSS	V10
N11	VSS	V11
N12	VSS	V12
N13	VSS	V13
N14	VSS	V14
N15	VSS	V15
N16	VSS	V16
N17	VSS	V17
N18	VSS	V18
N19	VSS	V19
N20	VSS	V20
N21	VSS	V21
P10	VSS	W10
P11	VSS	W11
P12	VSS	W12
P13	VSS	W13
P14	VSS	W14
P15	VSS	W15
P16	VSS	W16
P17	VSS	W17
P18	VSS	W18
P19	VSS	W19
P20	VSS	W20
P21	VSS	W21
P22	VSS	W22
R10	VSS	Y10
R11	VSS	Y11
R12	VSS	Y12
R13	VSS	Y13
R14	VSS	Y14
R15	VSS	Y15
R16	VSS	Y16
R17	VSS	Y17
R18	VSS	Y18
R19	VSS	Y19
R20	VSS	Y20
R21	VSS	Y21

CORE GND

Engineer	
Drawn By	
RDU CHK	
DOC CTRL CHK	
MFG ENGR CHK	

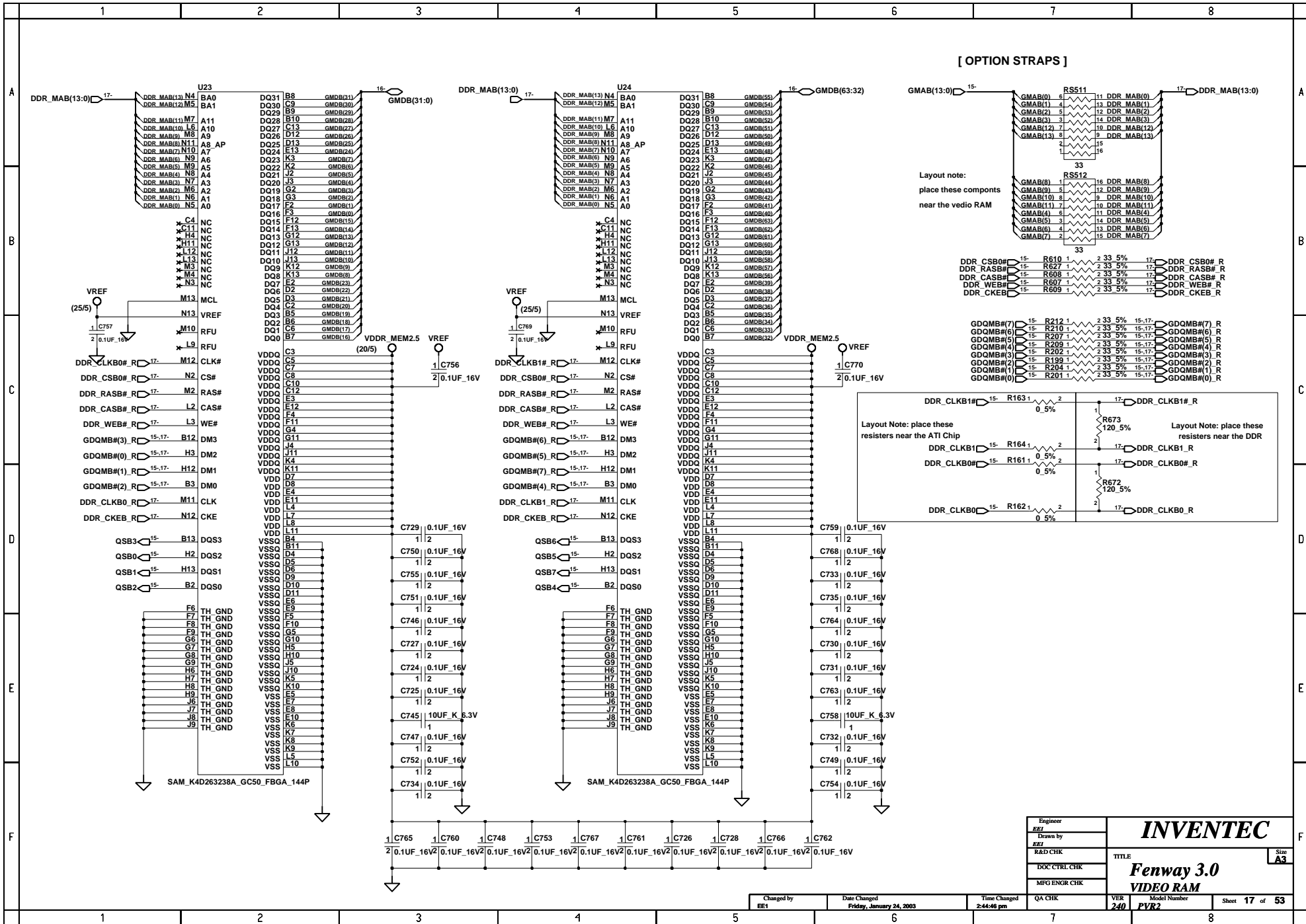
INVENTEC

TITLE: **Fenway 3.0**

Model Number: **ATI_M7_P (2/2)**

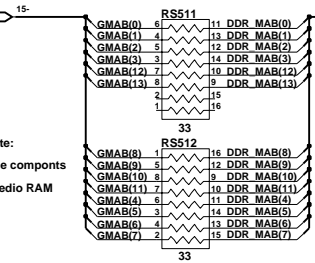
VER: **240** / **PVR2**

Sheet 16 of 53



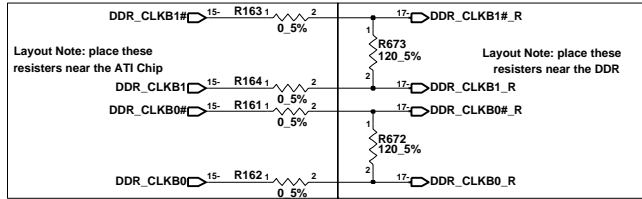
[OPTION STRAPS]

Layout note:
Place these components near the video RAM



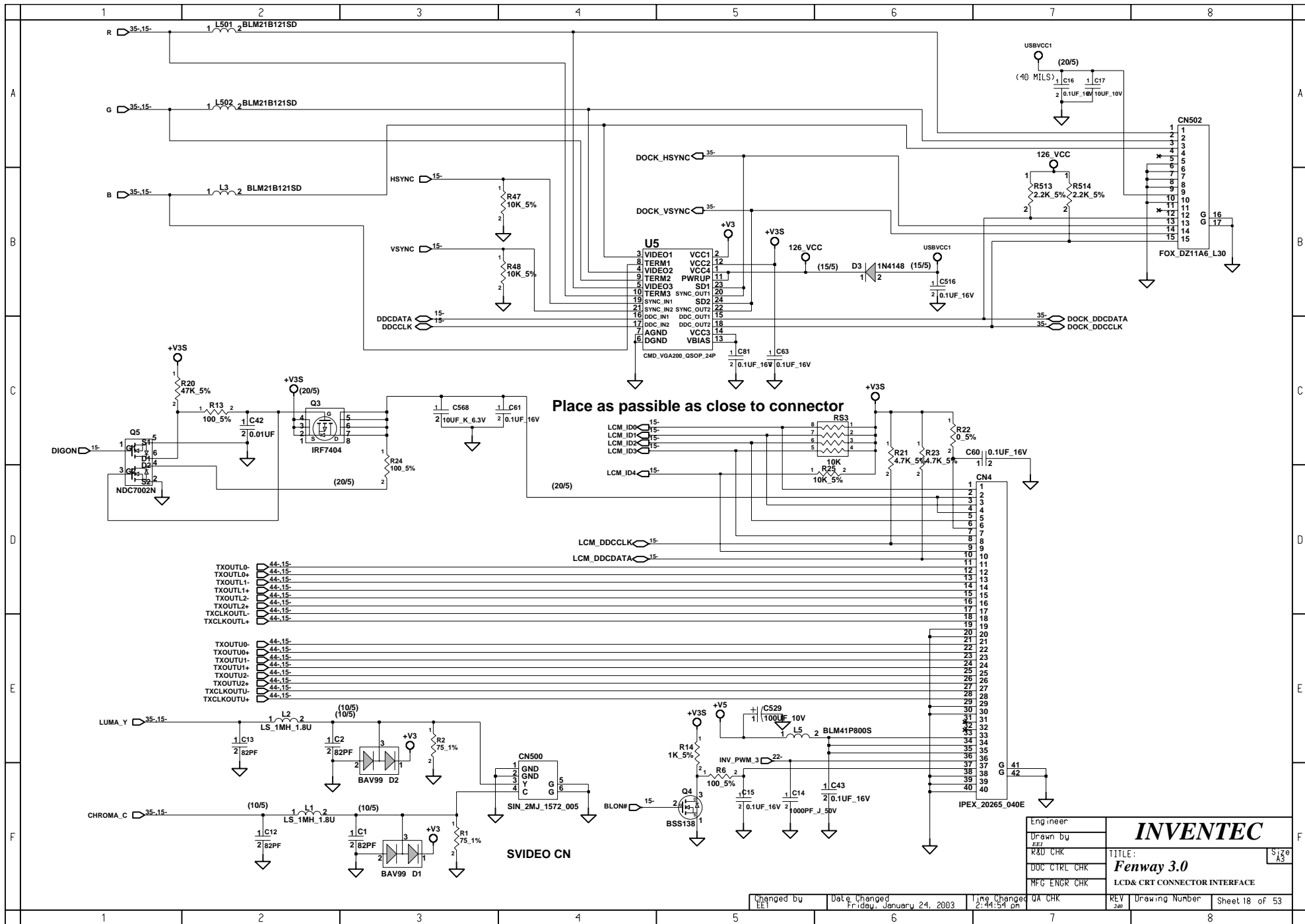
DDR_CSB0#	R610	1	2	33	5%	15-17	DDR_CSB0#_R
DDR_RASB#	R627	1	2	33	5%	15-17	DDR_RASB#_R
DDR_CASB#	R607	1	2	33	5%	15-17	DDR_CASB#_R
DDR_WEB#	R608	1	2	33	5%	15-17	DDR_WEB#_R
DDR_CKEB	R609	1	2	33	5%	15-17	DDR_CKEB_R

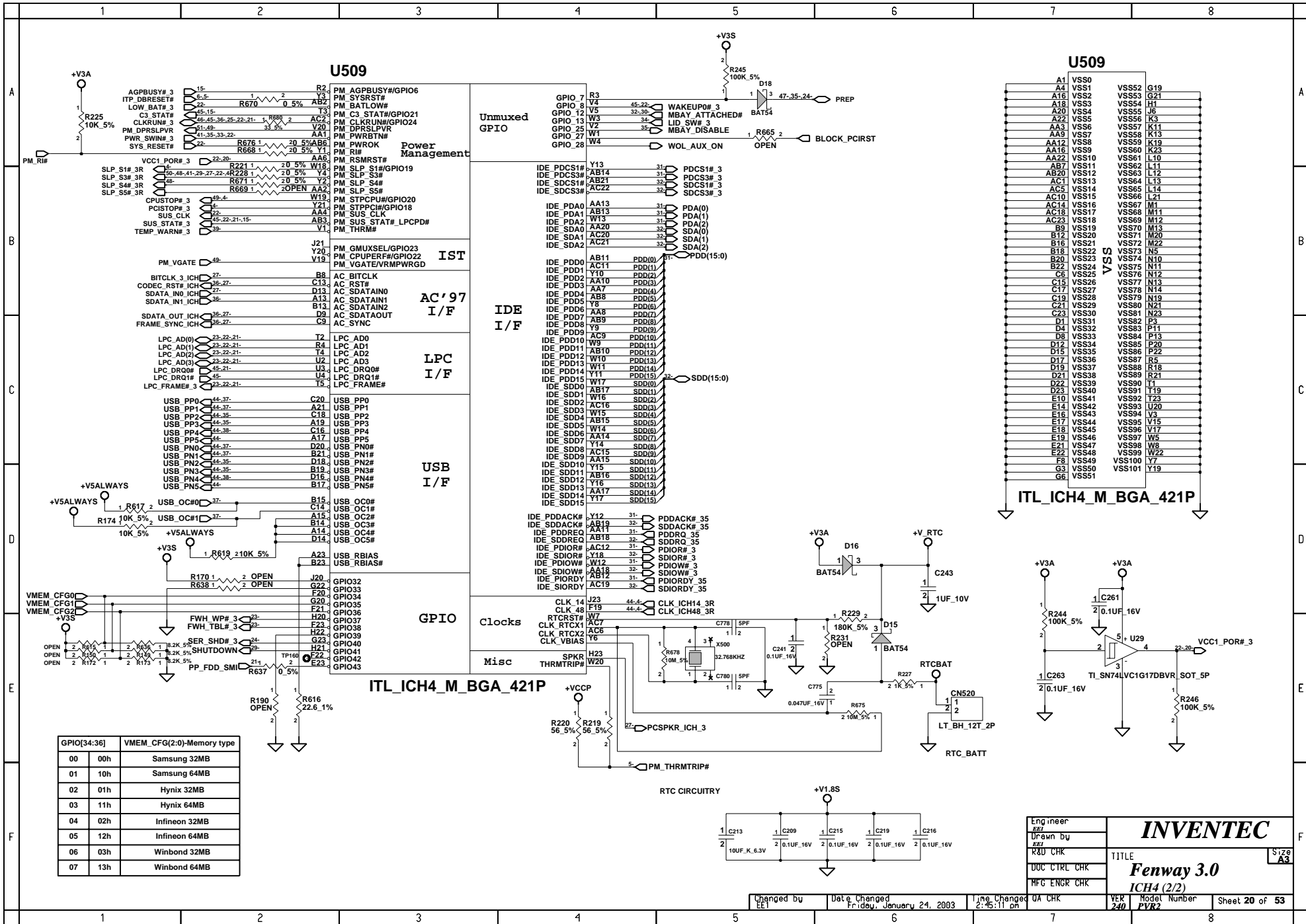
GDQMB#(7)	R212	1	2	33	5%	15-17	GDQMB#(7)_R
GDQMB#(6)	R210	1	2	33	5%	15-17	GDQMB#(6)_R
GDQMB#(5)	R207	1	2	33	5%	15-17	GDQMB#(5)_R
GDQMB#(4)	R209	1	2	33	5%	15-17	GDQMB#(4)_R
GDQMB#(3)	R202	1	2	33	5%	15-17	GDQMB#(3)_R
GDQMB#(2)	R199	1	2	33	5%	15-17	GDQMB#(2)_R
GDQMB#(1)	R204	1	2	33	5%	15-17	GDQMB#(1)_R
GDQMB#(0)	R201	1	2	33	5%	15-17	GDQMB#(0)_R

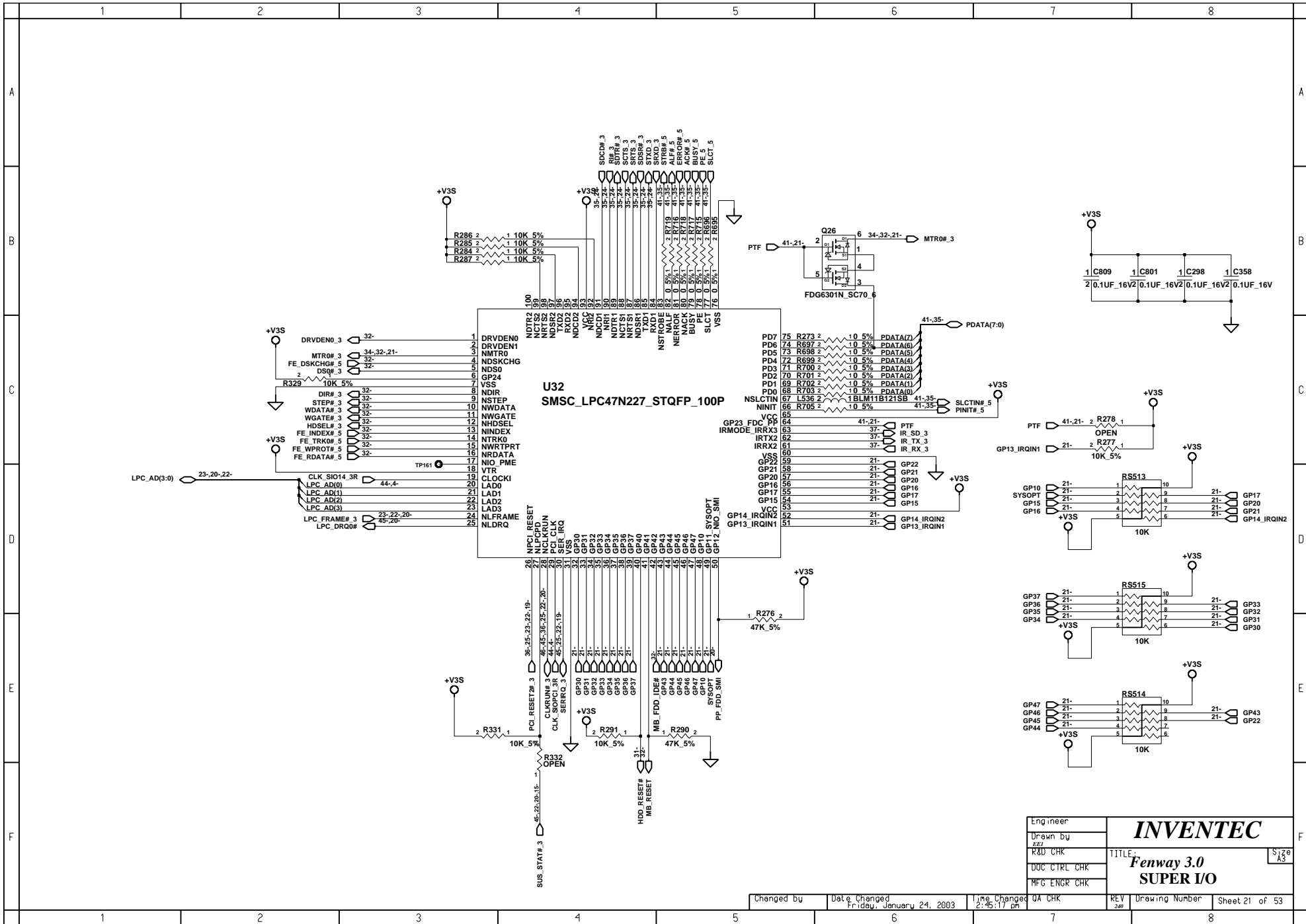


Engineer <i>EE1</i>	<p style="text-align: center;">INVENTEC</p> <p style="text-align: center;">Fenway 3.0</p> <p style="text-align: center;">VIDEO RAM</p>	Model Number PVR2
Drawn by <i>EE1</i>		Sheet A3
R&D CHK		TITLE
DOC CTRL CHK		
MFG ENGR CHK		

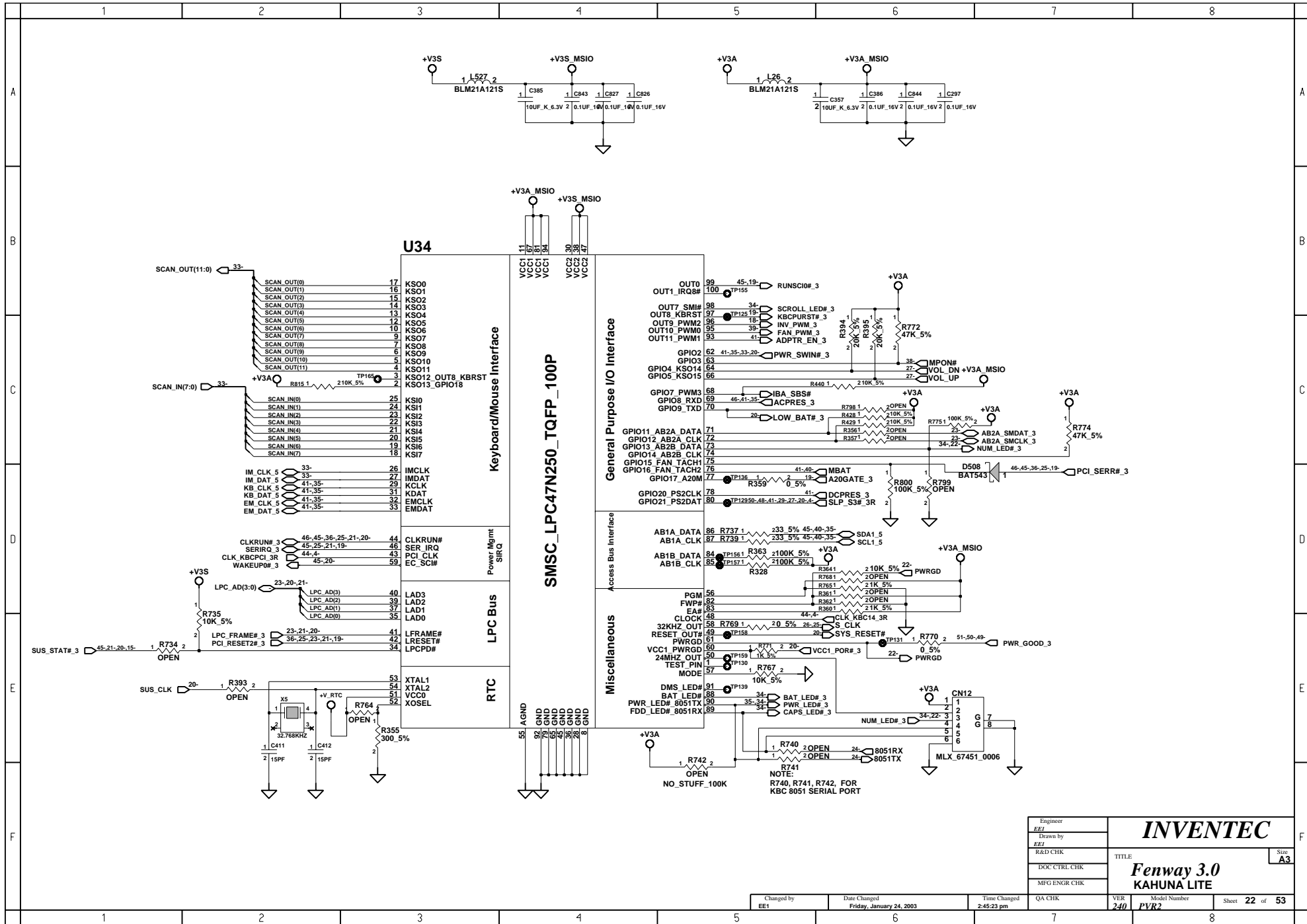
Changed by <i>EE1</i>	Date Changed Friday, January 24, 2003	Time Changed 2:44:46 pm	QA CHK	VER 240	Sheet 17 of 53
--------------------------	---	-----------------------------------	--------	-------------------	--------------------------



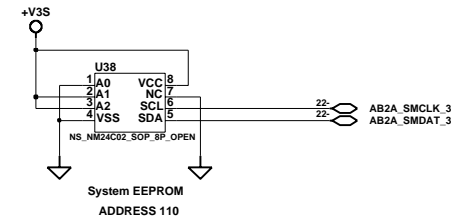
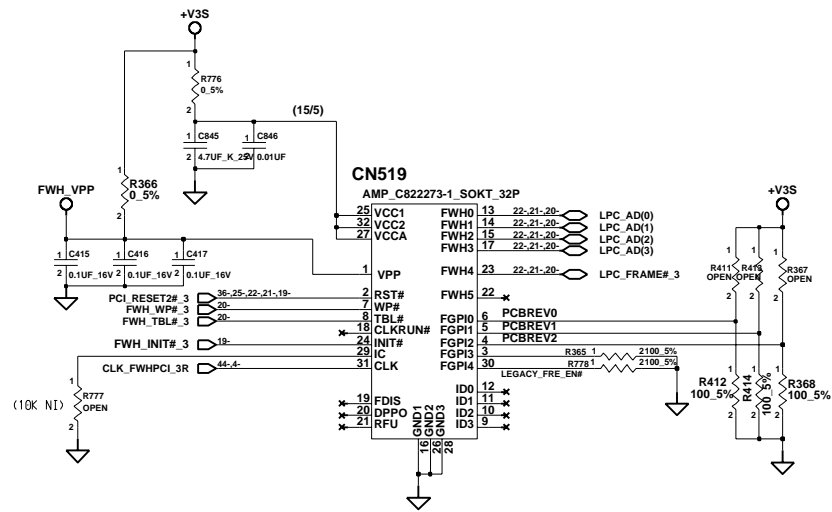




Eng Ineer		INVENTEC	TITLE: Fenway 3.0 SUPER I/O	SIZE: A3
Drawn By				
R3D CHK				
DOC CTRL CHK				
MFG ENGR CHK				



Engineer <i>EBI</i>	INVENTEC TITLE: Fenway 3.0 KAHUNA LITE	Size A3	
Drawn by <i>EBI</i>			
R&D CHK			
DOC CTRL CHK			
MFG ENGR CHK			
Changed by EE1	Date Changed Friday, January 24, 2003	Time Changed 2:45:23 pm	
QA CHK	VER 240	Model Number PVR2	Sheet 22 of 53



Engineer	
Drawn by	
RDV	
RDV CHK	
DOC CTRL CHK	
MFG ENGR CHK	

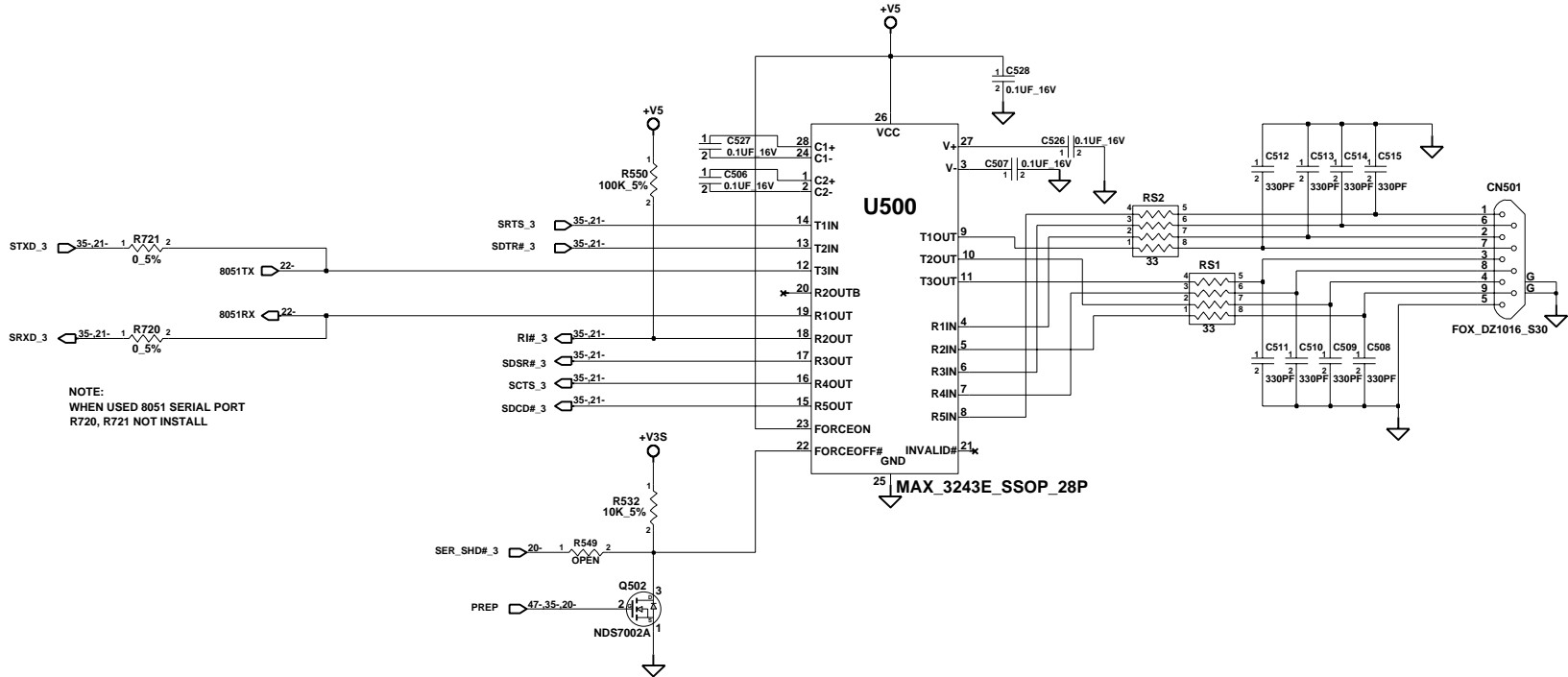
INVENTEC

TITLE: **Fenway 3.0**

Size
A3

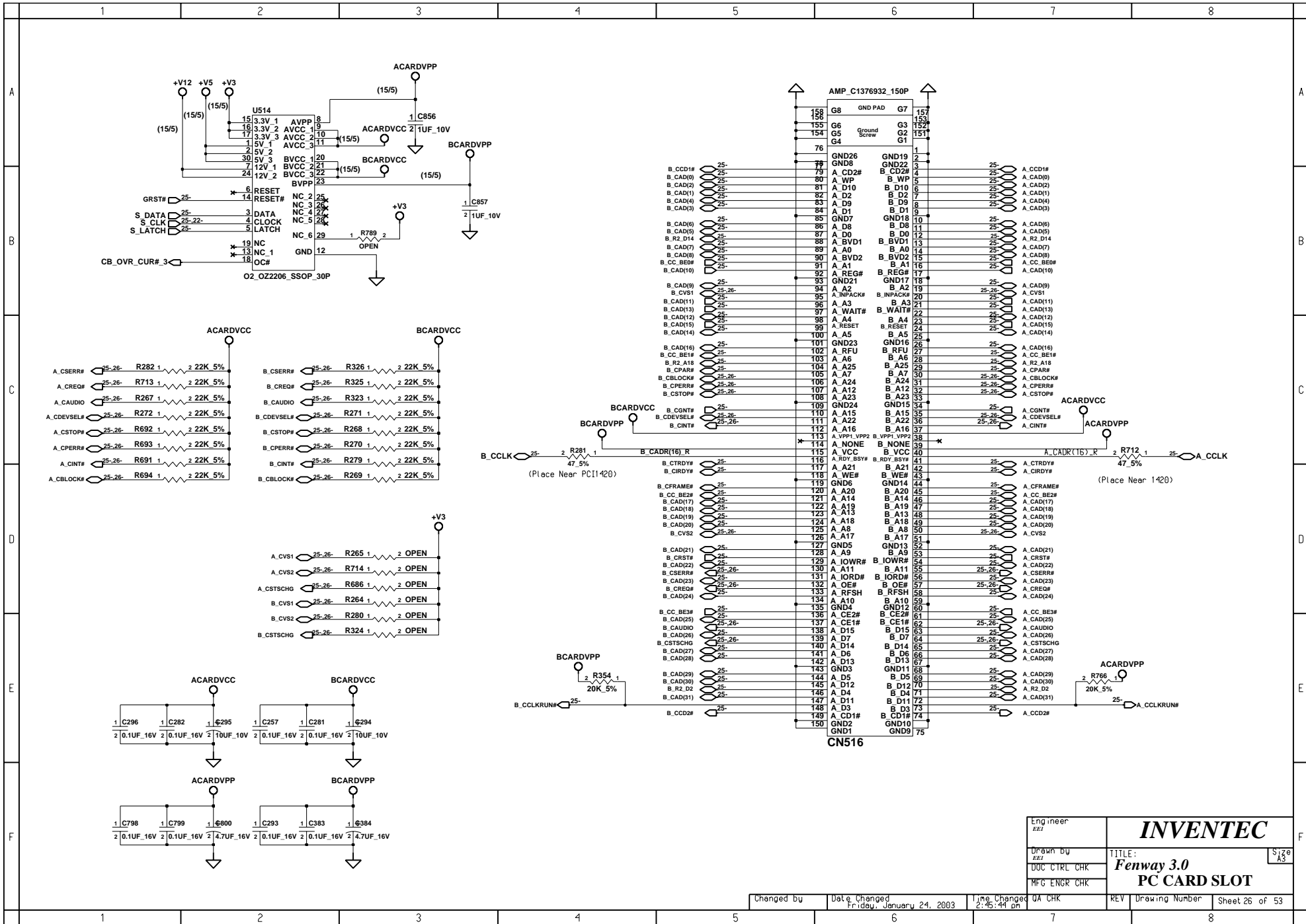
**Fenway 3.0
FWH&EEPROM**

Changed by	Date Changed Friday, January 24, 2003	Time Changed 2:45:28 pm	QA CHK	REV	Drawing Number	Sheet 23 of 53
------------	--	----------------------------	--------	-----	----------------	----------------



Engineer	INVENTEC
Drawn by	
RDY CHK	
DOC CTRL CHK	
MFG ENGR CHK	
TITLE: Fenway 3.0	
SERIAL & PARALLEL PORTS	

Changed by	Date Changed Friday, January 24, 2003	Time Changed 2:45:32 pm	QA CHK	REV	Drawing Number	Sheet 24 of 53
------------	--	----------------------------	--------	-----	----------------	----------------

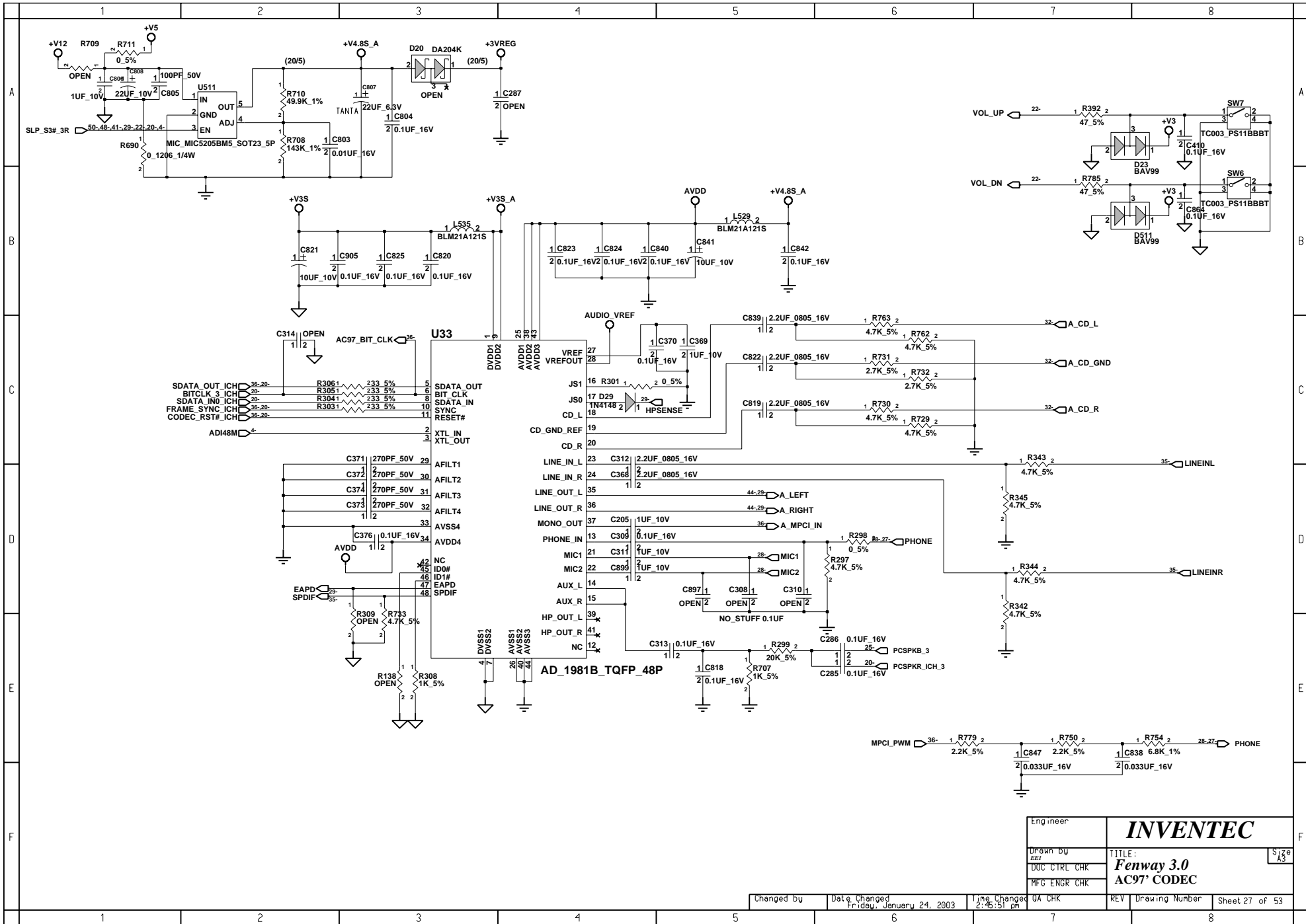


Engineer
 Drawn by
 DOC CTRL CHK
 MFG ENGR CHK

INVENTEC

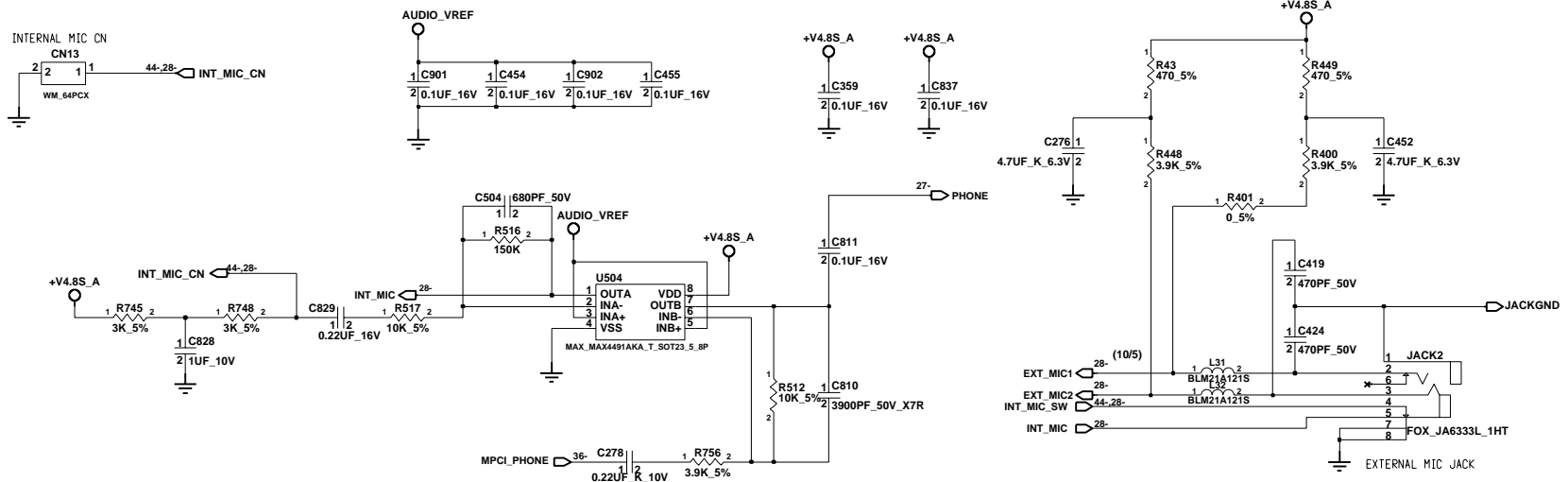
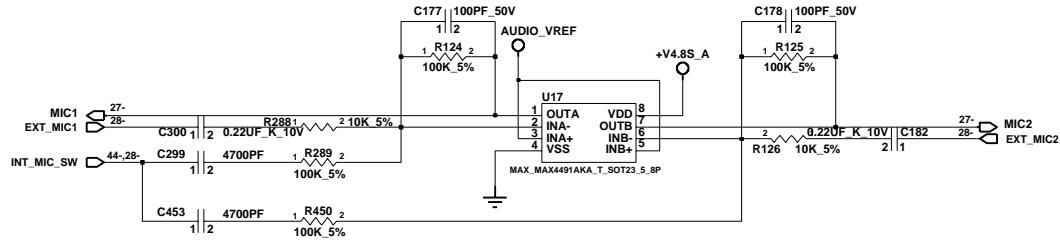
TITLE:
Fenway 3.0
PC CARD SLOT

REV
 Drawing Number
 Sheet 26 of 53



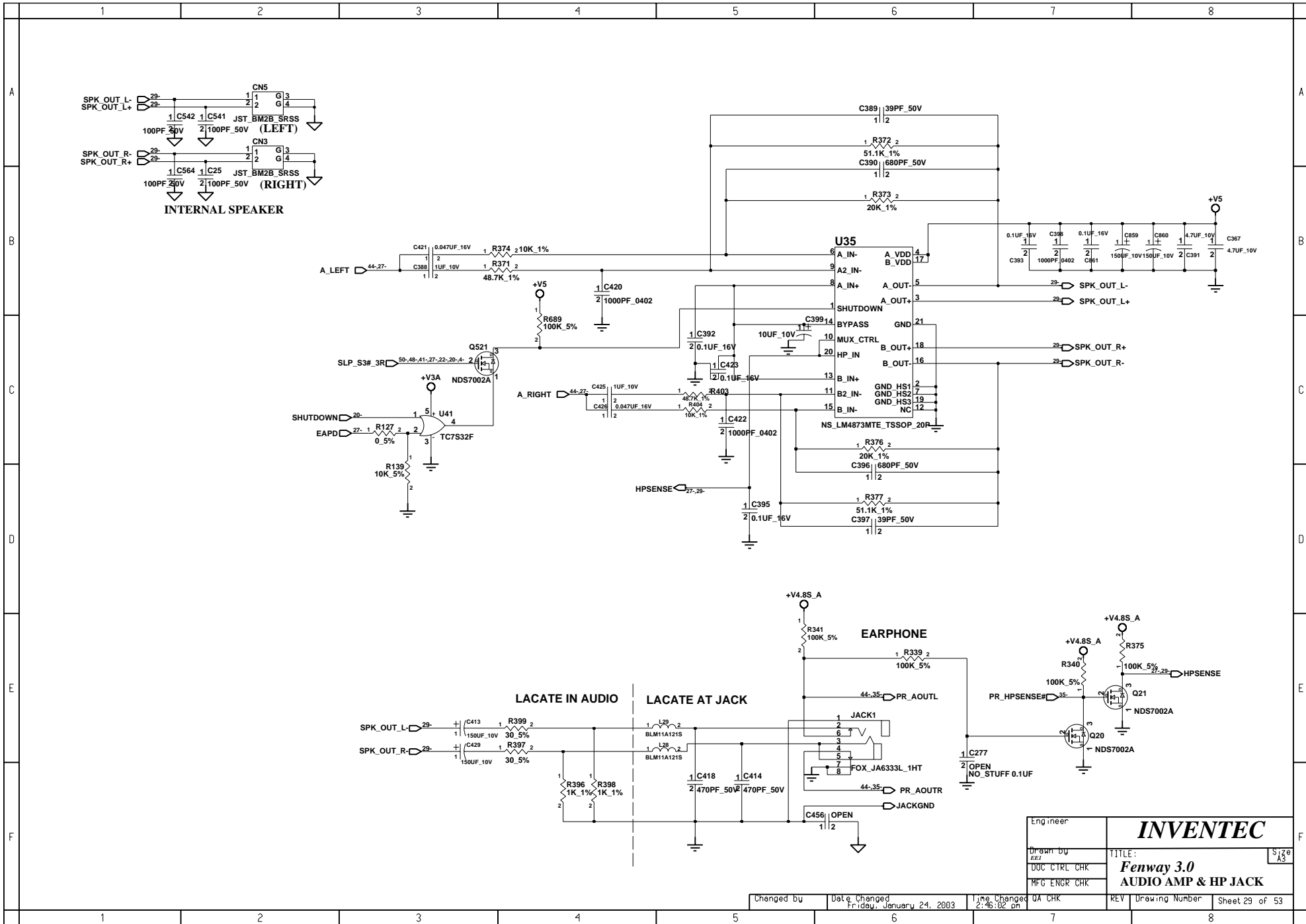
Engineer	INVENTEC	
Drawn by EEI	TITLE: Fenway 3.0 AC97 CODEC	Size A3
DOC CTRL CHK		
FIG ENGR CHK		

Changed by	Date Changed Friday, January 24, 2003	Time Changed 2:45:51 pm	UA CHK	REV	Drawing Number	Sheet 27 of 53
------------	--	----------------------------	--------	-----	----------------	----------------



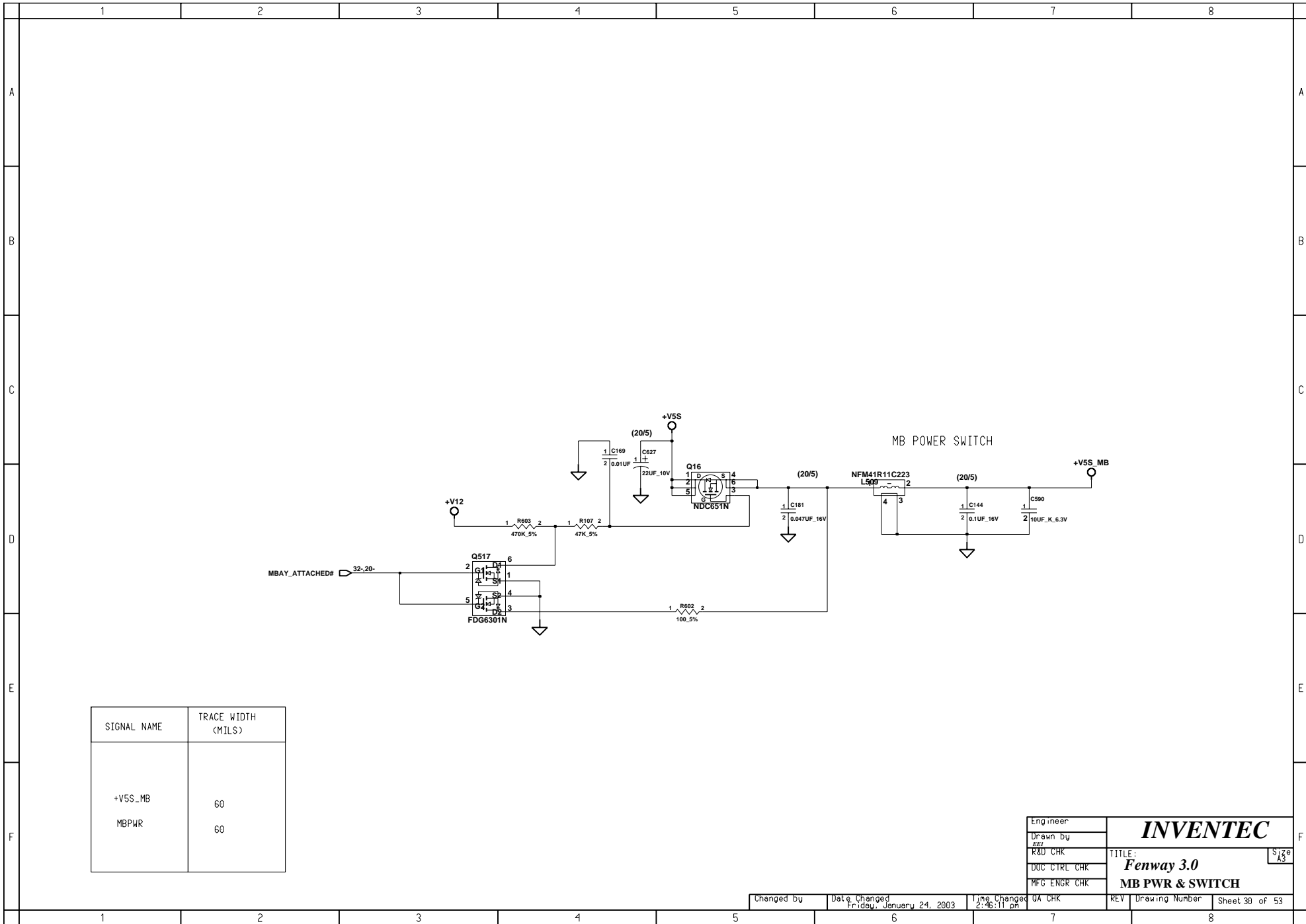
Engineer	INVENTEC	
Drawn by EEI	TITLE: Fenway 3.0	Size A3
DOC CTRL CHK	EQUALIZER & MIC JACK	
MFG ENGR CHK		

Changed by	Date Changed Friday, January 24, 2003	Time Changed 2:45:57 pm	QA CHK	REV	Drawing Number	Sheet 28 of 53
------------	--	----------------------------	--------	-----	----------------	----------------



Eng'ineer	INVENTEC	
Drawn by EEI	TITLE: Fenway 3.0 AUDIO AMP & HP JACK	Size A3
DOC CTRL CHK	REV	Drawing Number
MFG ENGR CHK	UA CHK	Sheet 29 of 53

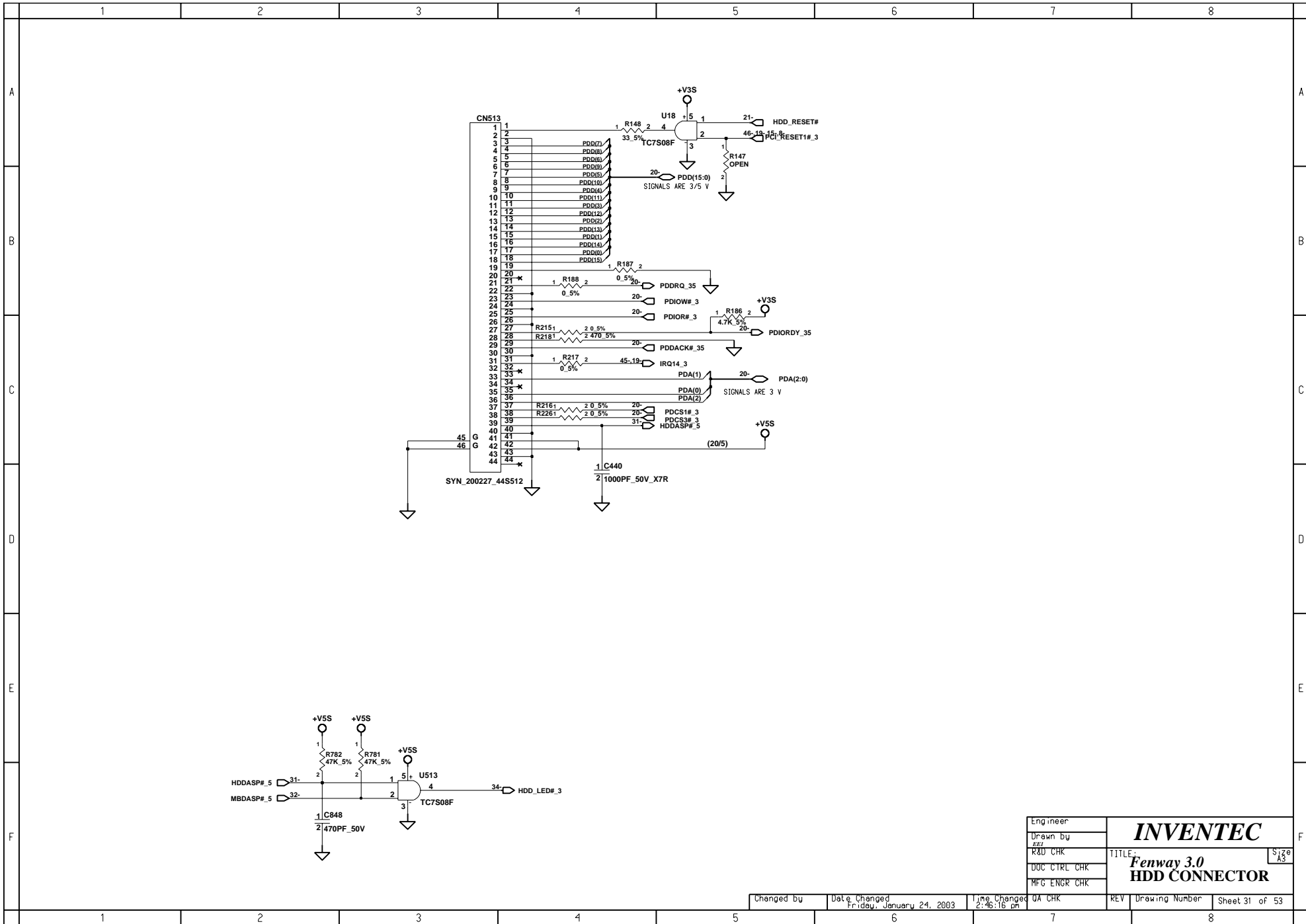
Changed by _____ Date Changed Friday, January 24, 2003 Time Changed 2:46:02 pm



SIGNAL NAME	TRACE WIDTH (MILS)
+V5S_MB	60
MBPWR	60

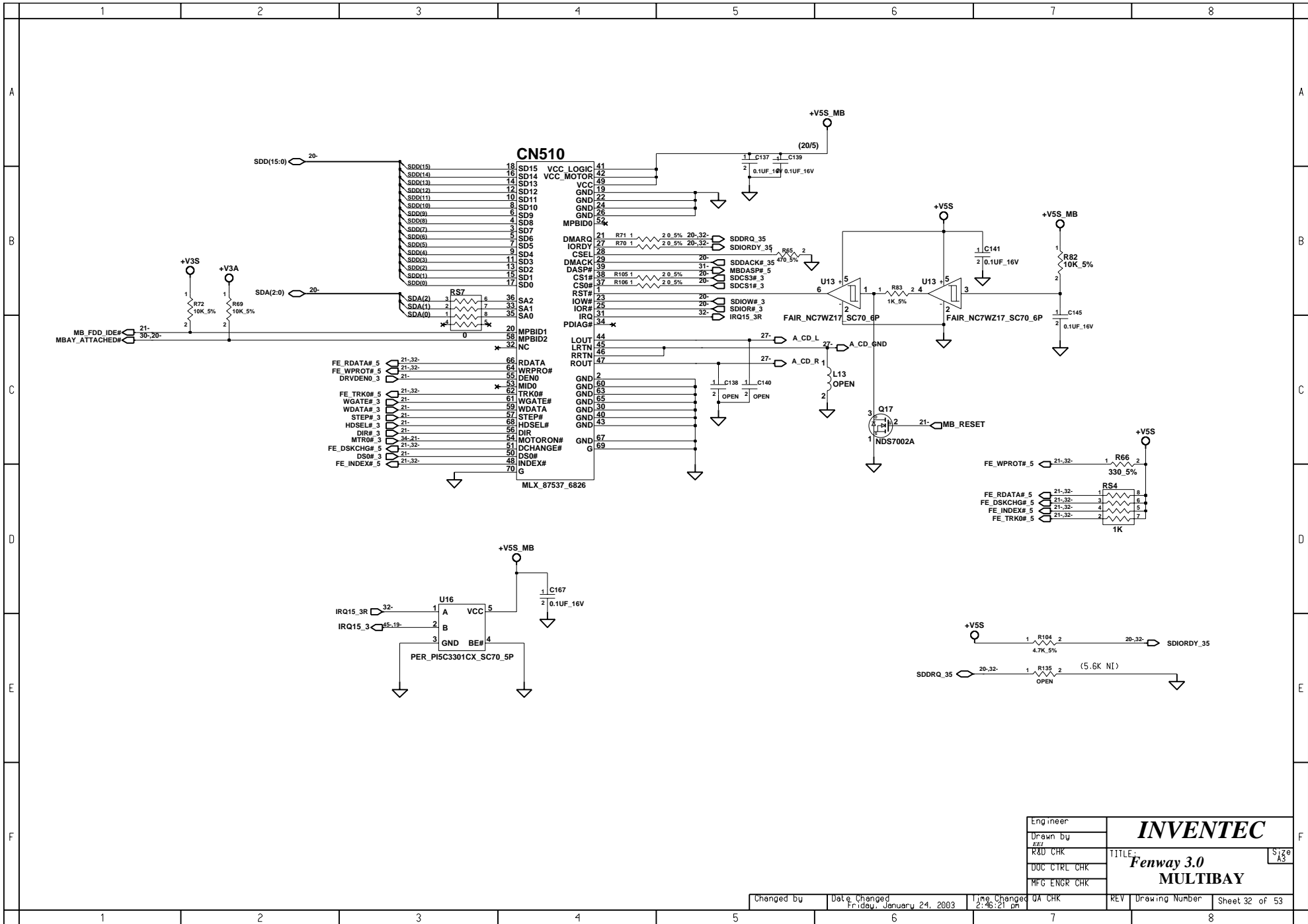
Engineer	INVENTEC	
Drawn by		
REV		
DOC CTRL CHK		
MFG ENGR CHK		
TITLE:	Fenway 3.0	
	MB PWR & SWITCH	

Changed by	Date Changed	Time Changed	QA CHK	REV	Drawing Number	Sheet 30 of 53
	Friday, January 24, 2003	2:46:11 PM				



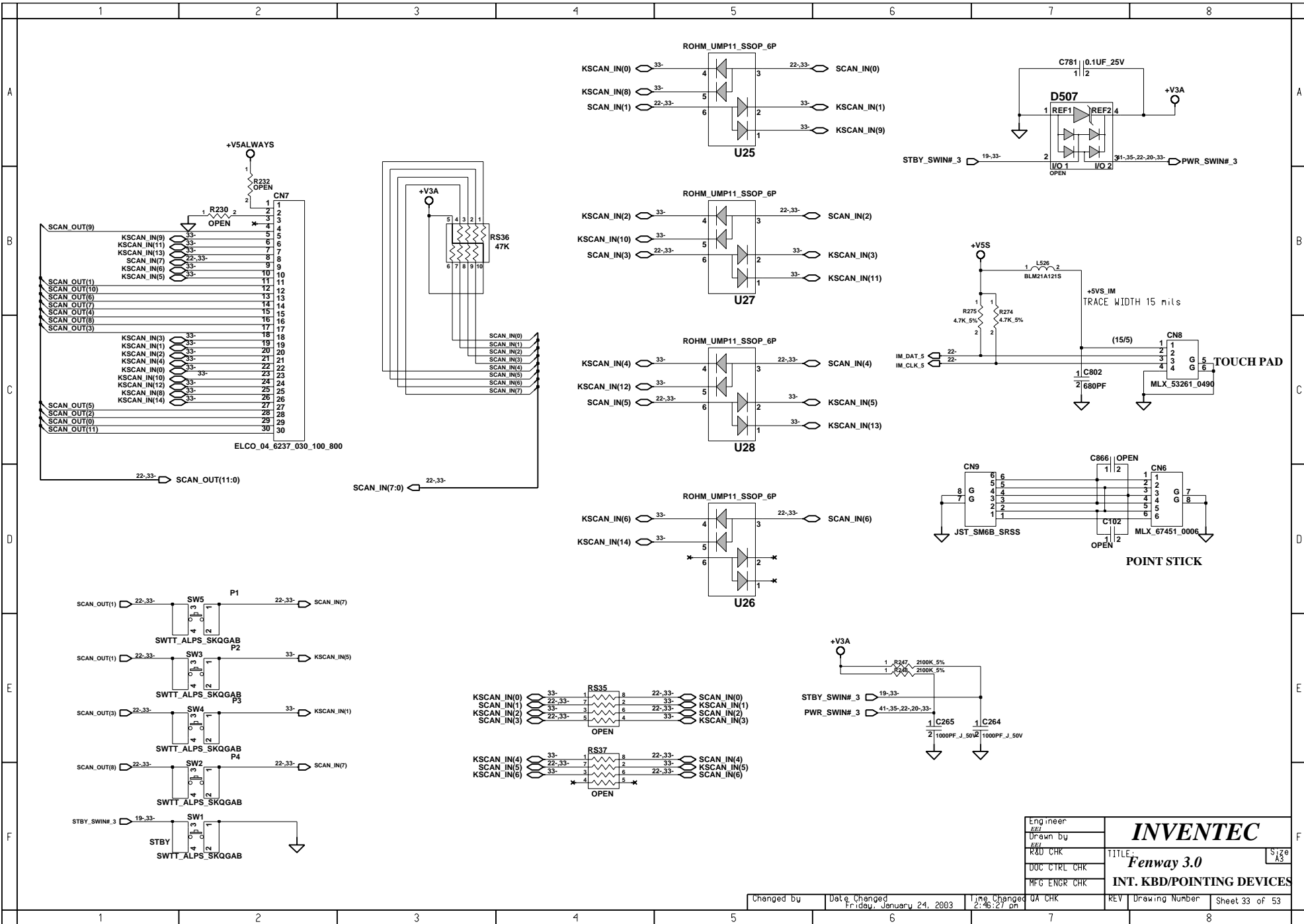
Engineer	INVENTEC		
Drawn by			
R3D CHK			TITLE: Fenway 3.0
DOC CTRL CHK			HDD CONNECTOR
MFG ENGR CHK			Size: A3

Changed by	Date Changed	Time Changed	QA CHK	REV	Drawing Number	Sheet 31 of 53
	Friday, January 24, 2003	2:46:16 pm				



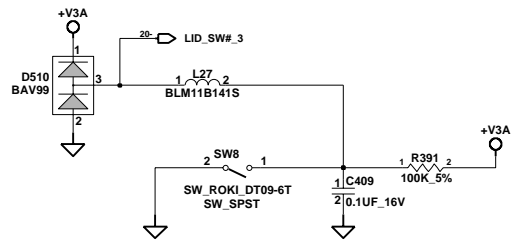
Engineer		INVENTEC
Drawn By		
R3D CHK		
DOC CTRL CHK		
MFG ENGR CHK		
TITLE	Fenway 3.0 MULTIBAY	
Size	A3	

Changed by	Date Changed	Time Changed	UA CHK	REV	Drawing Number	Sheet 32 of 53
	Friday, January 24, 2003	2:46:21 pm				

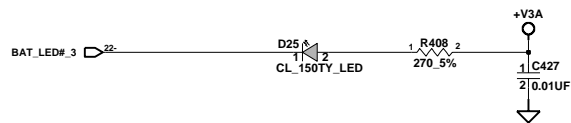
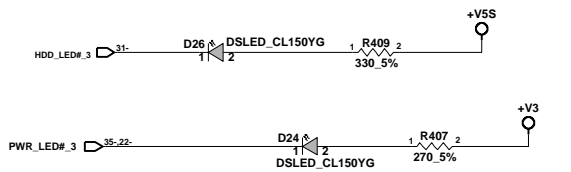
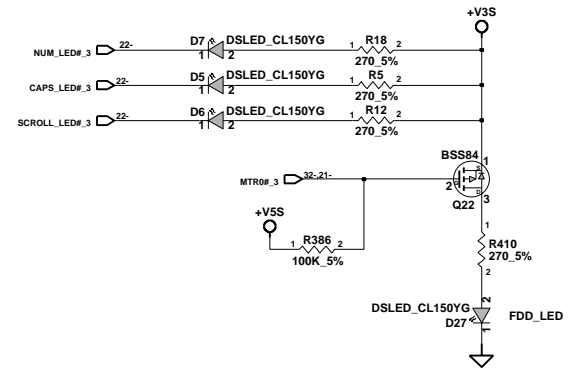


Engineer		INVENTEC
Drawn by		
RDV CHK		
DOC CTRL CHK		
MFG ENGR CHK		
TITLE: Fenway 3.0		Size: A3
INT. KBD/POINTING DEVICES		

Changed by	Date Changed	Time Changed	UA CHK	REV	Drawing Number	Sheet 33 of 53
	Friday, January 24, 2003	2:46:27 pm				

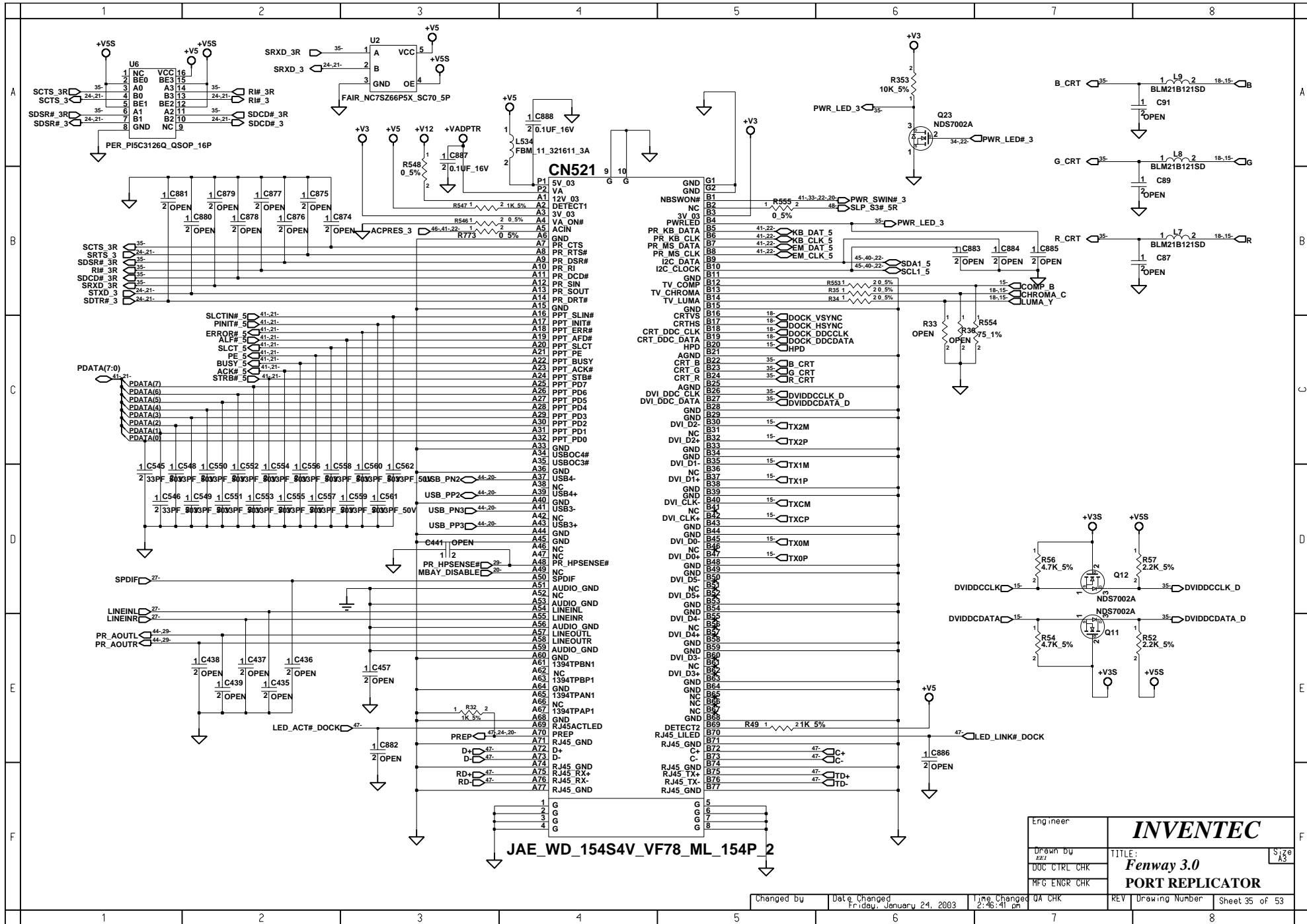


LID SWITCH

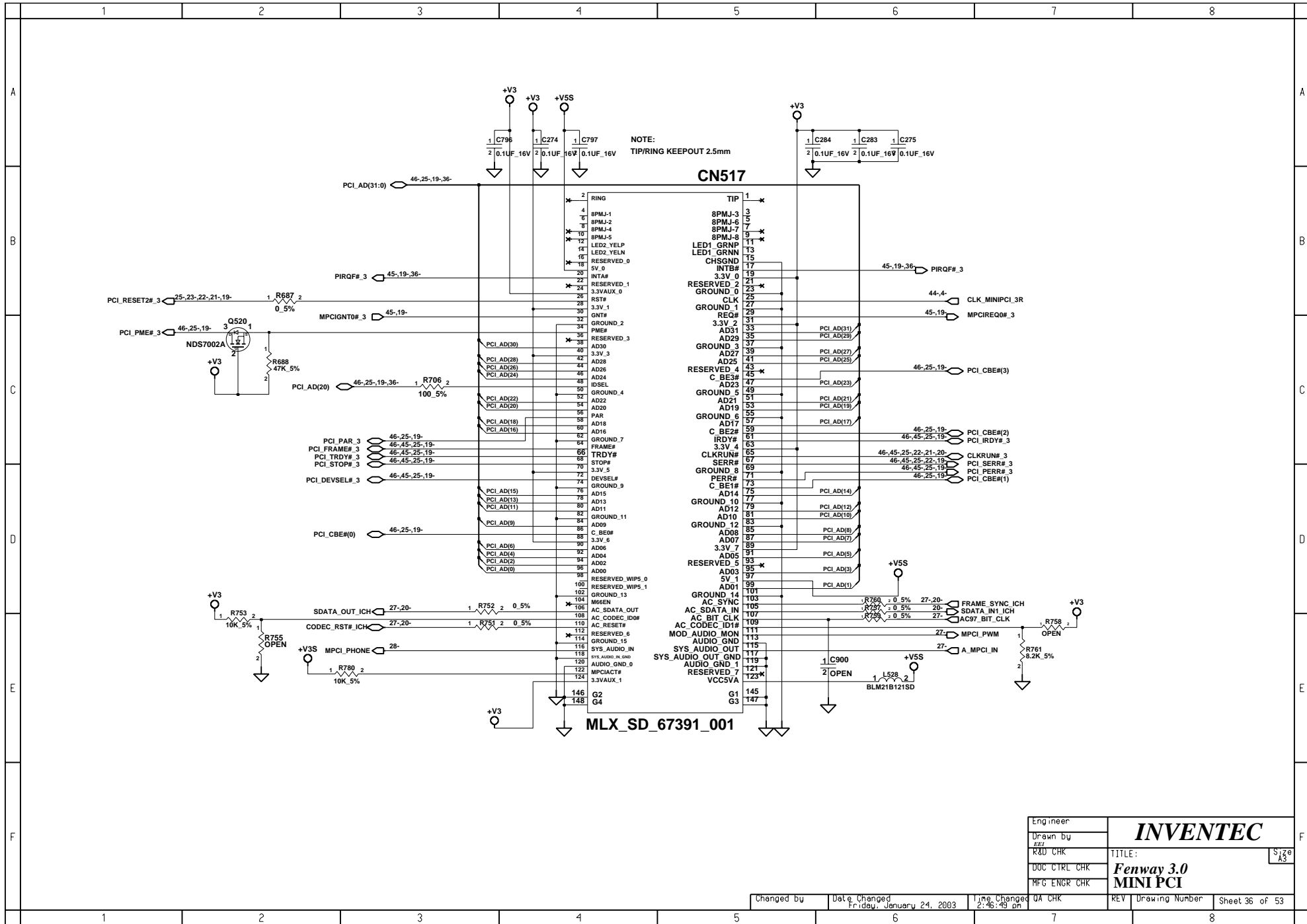


Engineer	INVENTEC	
Drawn by EEI	TITLE: Fenway 3.0	Size A3
DOC CTRL CHK	LID SWITCHES / LEDS	
MFG ENGR CHK		

Changed by	Date Changed Friday, January 24, 2003	Time Changed 2:46:35 PM	QA CHK	REV	Drawing Number	Sheet 34 of 53
------------	--	----------------------------	--------	-----	----------------	----------------



Eng Ineer	INVENTEC	
Drawn by EEI	TITLE: Fenway 3.0	Size A3
DOC CTRL CHK	PORT REPLICATOR	
MFG ENGR CHK	REV	Drawing Number
Changed by	Date Changed Friday, January 24, 2003	Time Changed 2:46:41 pm
UA CHK	REV	Sheet 35 of 53

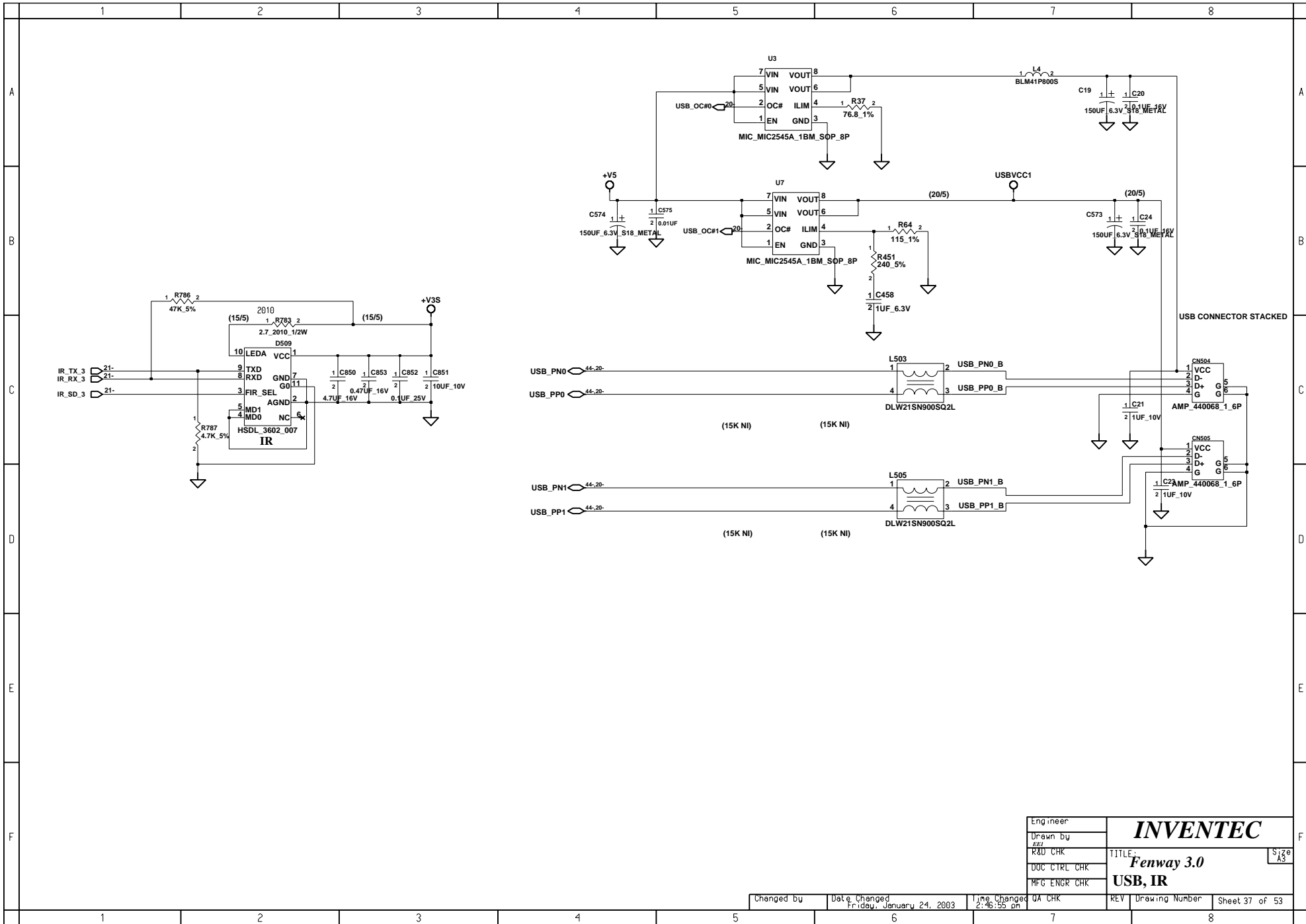


NOTE:
TIP/RING KEEPOUT 2.5mm

Engineer	
Drawn by	
R&D CHK	
DOC CTRL CHK	
MFG ENGR CHK	

INVENTEC
 TITLE: Fenway 3.0
 MINI PCI

Changed by	Date Changed	Time Changed	Rev	Drawing Number	Sheet 36 of 53
	Friday, January 24, 2003	2:46:49 pm			



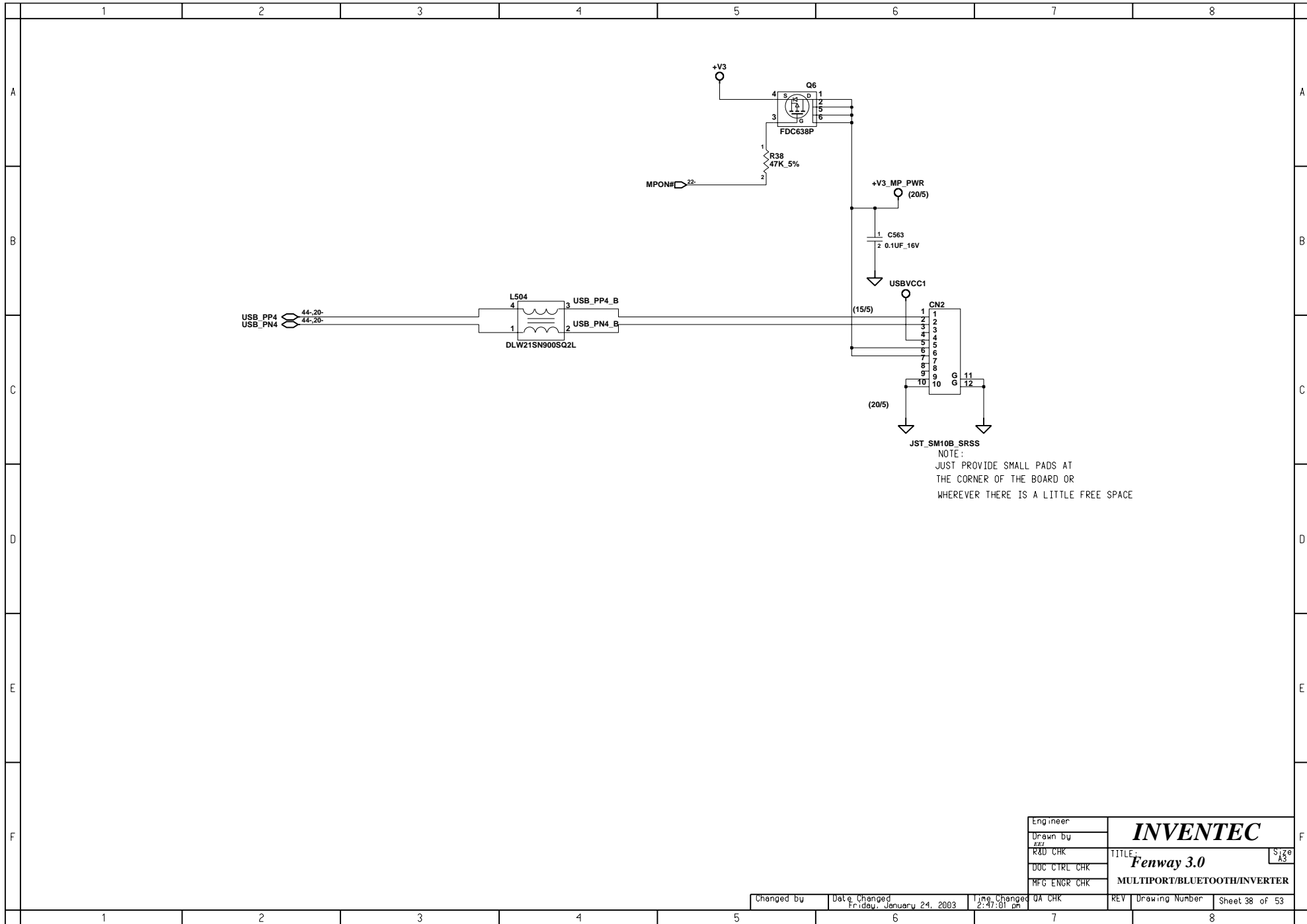
Engineer	
Drawn By	
RDY CHK	
DOC CTRL CHK	
MFG ENGR CHK	

INVENTEC

TITLE: **Fenway 3.0**

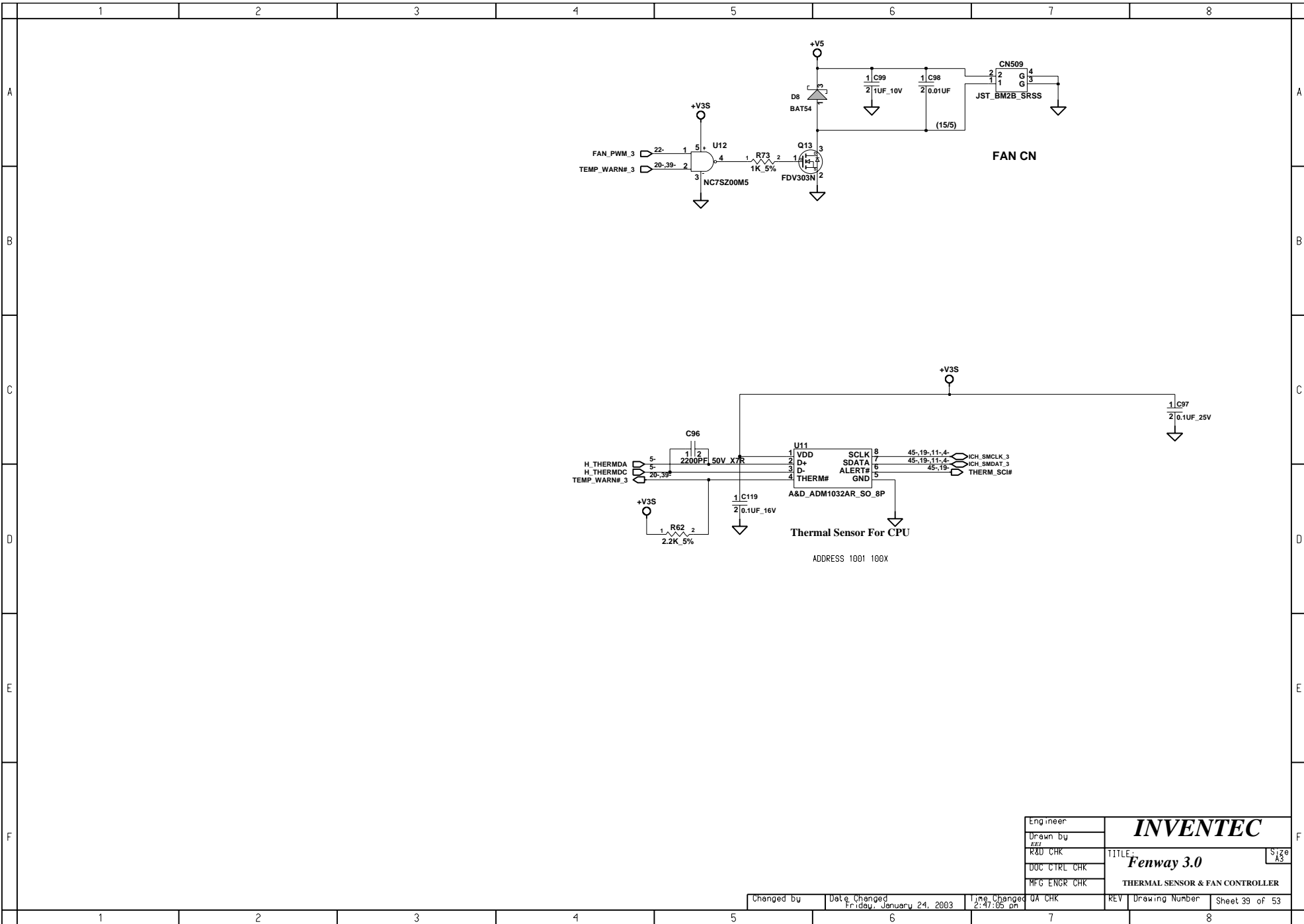
USB, IR

Changed by	Date Changed	Time Changed	QA CHK	REV	Drawing Number	Sheet 37 of 53
	Friday, January 24, 2003	2:46:55 pm				



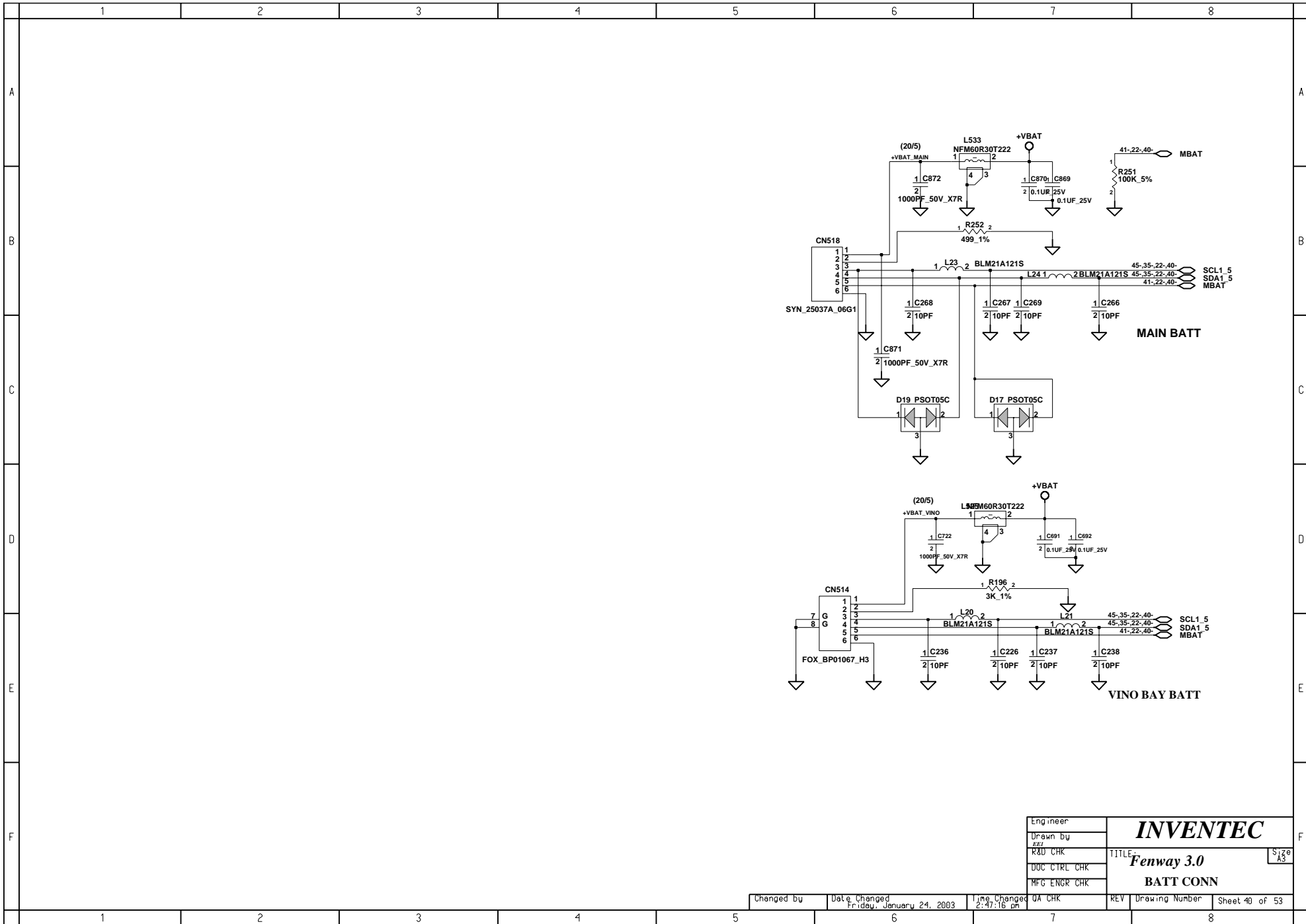
Engineer	
Drawn by	
RDV	
R3D CHK	
DOC CTRL CHK	
MFG ENGR CHK	
TITLE:	Fenway 3.0
	Size A3
MULTIPORT/BLUETOOTH/INVERTER	

Changed by	Date Changed	Time Changed	QA CHK	REV	Drawing Number	Sheet 38 of 53
	Friday, January 24, 2003	2:47:01 pm				



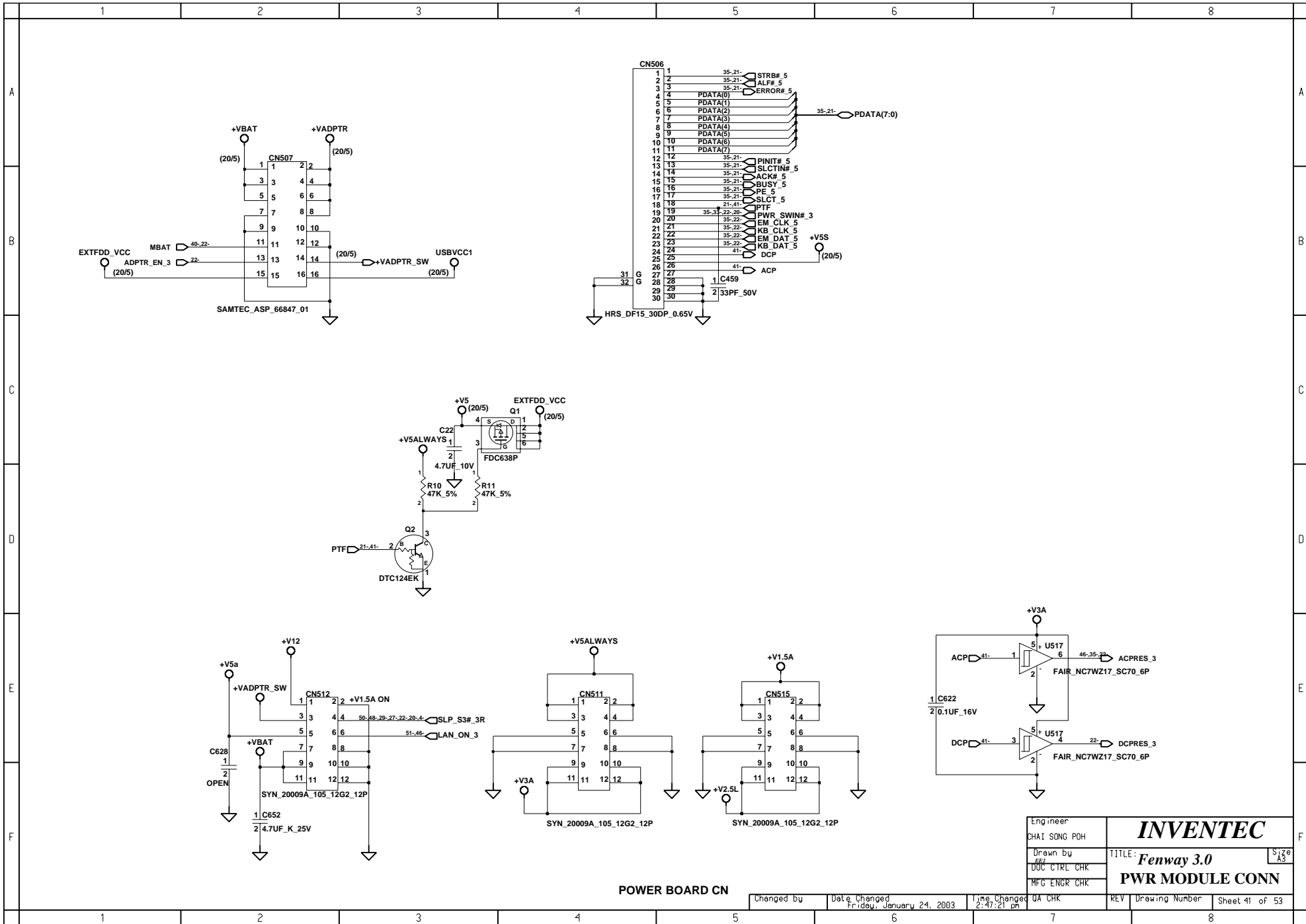
Engineer	INVENTEC	
Drawn by	Fenway 3.0	
RDY CHK	TITLE	Size
DOC CTRL CHK		A3
MFG ENGR CHK	THERMAL SENSOR & FAN CONTROLLER	

Changed by	Date Changed	Time Changed	QA CHK	REV	Drawing Number	Sheet 39 of 53
	Friday, January 24, 2003	2:47:05 pm				

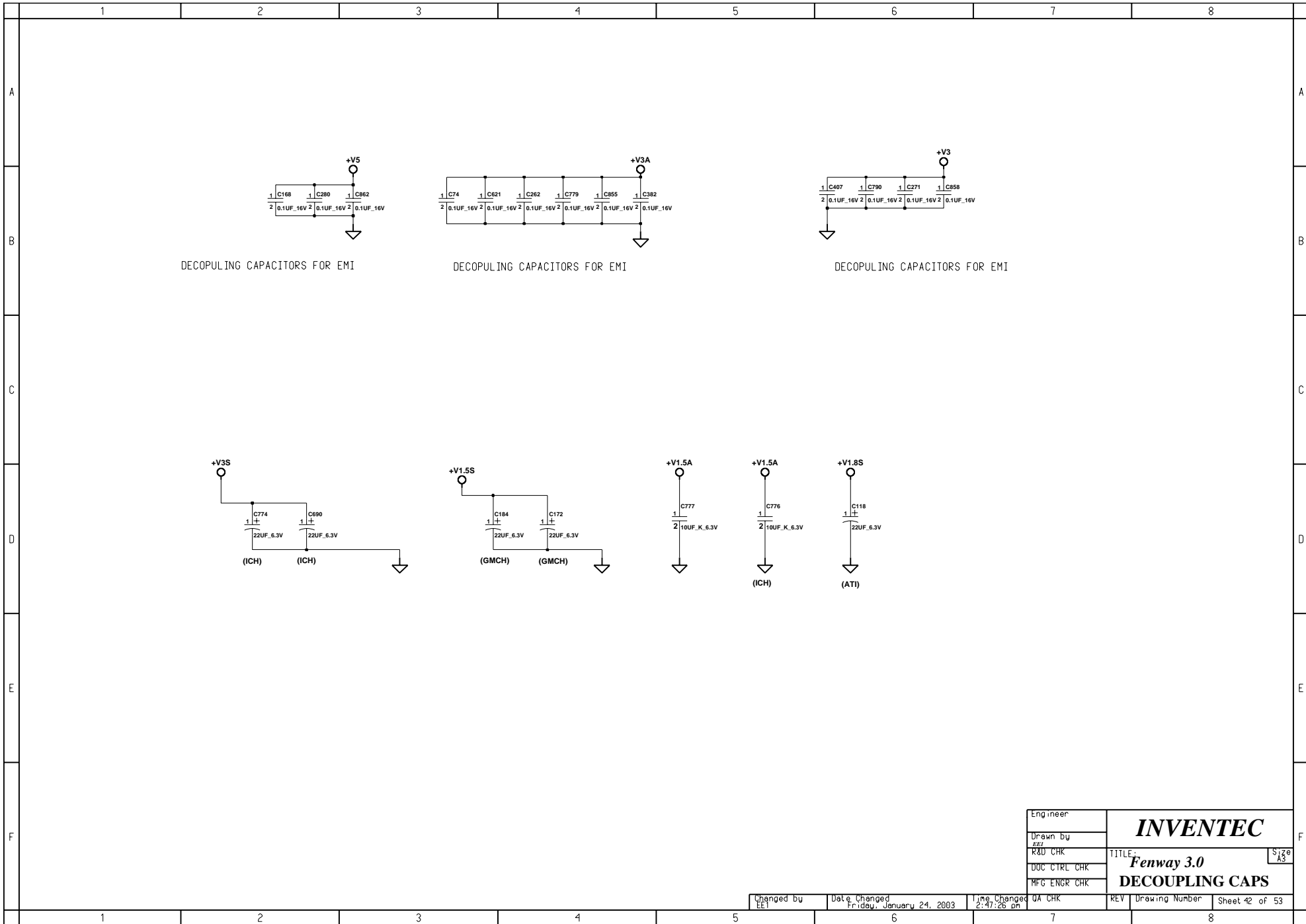


Engineer		INVENTEC	TITLE: Fenway 3.0	SIZE: A3
Drawn By				
R3D CHK				
DOC CTRL CHK				
MFG ENGR CHK				
		BATT CONN		

Changed by	Date Changed	Time Changed	QA CHK	REV	Drawing Number	Sheet 40 of 53
	Friday, January 24, 2003	2:47:16 pm				

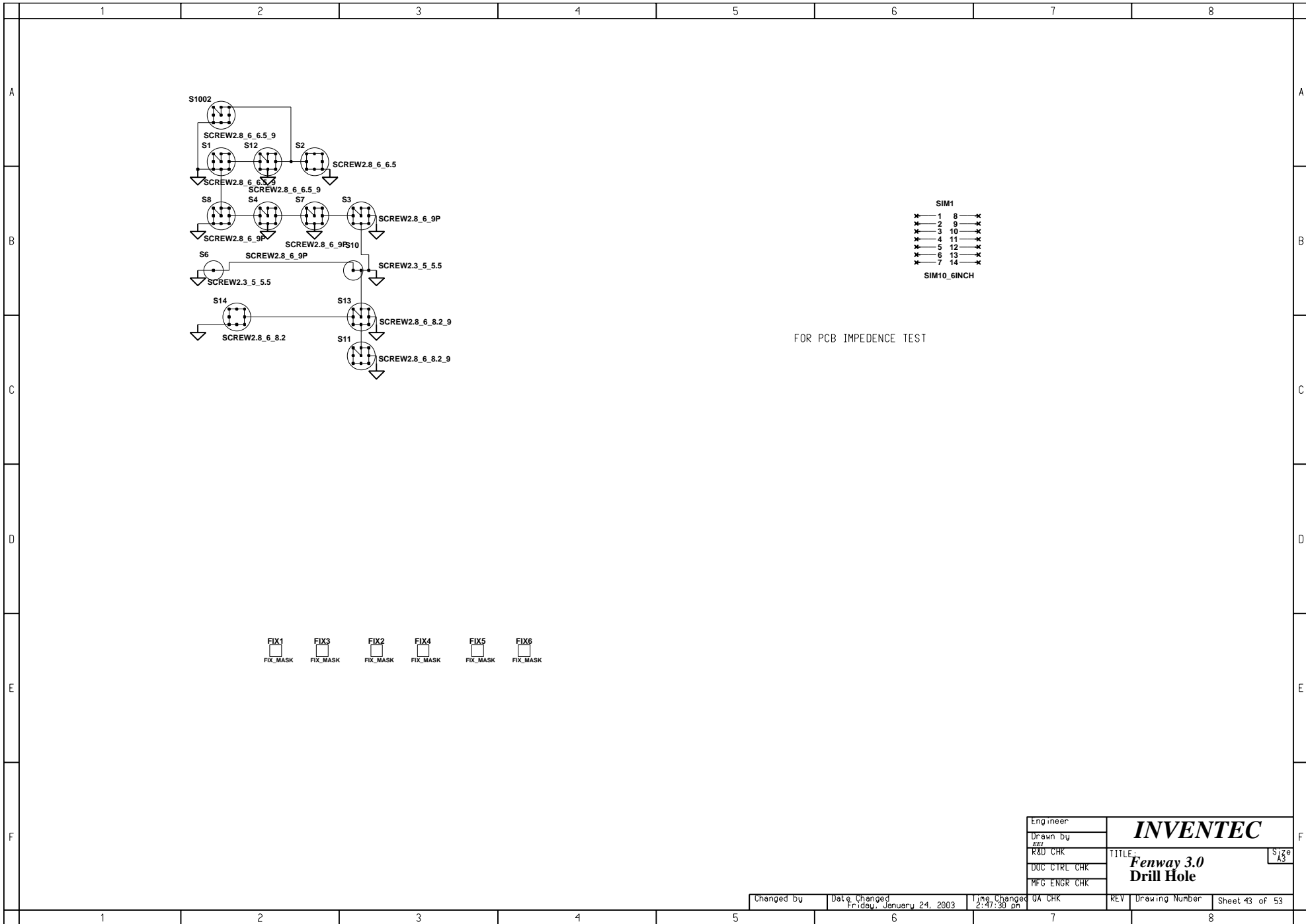


Engineer	CHAI SONG POH	INVENTEC
Drawn by		
DOC CTRL CHK		
MFG ENGR CHK		
TITLE: Fenway 3.0		SIZE: A3
PWR MODULE CONN		
REV	Drawing Number	Sheet 41 of 53



Engineer	INVENTEC		
Drawn by			
RDV CHK			TITLE: Fenway 3.0
DOC CTRL CHK			SIZE
MFG ENGR CHK			DECOUPLING CAPS

Changed by EE1	Date Changed Friday, January 24, 2003	Time Changed 2:47:26 pm	QA CHK	REV	Drawing Number	Sheet 42 of 53
-------------------	--	----------------------------	--------	-----	----------------	----------------



SIM1
 * 1 8 *
 * 2 9 *
 * 3 10 *
 * 4 11 *
 * 5 12 *
 * 6 13 *
 * 7 14 *
 SIM10_6INCH

FOR PCB IMPEDENCE TEST

FIX1
FIX_MASK

FIX3
FIX_MASK

FIX2
FIX_MASK

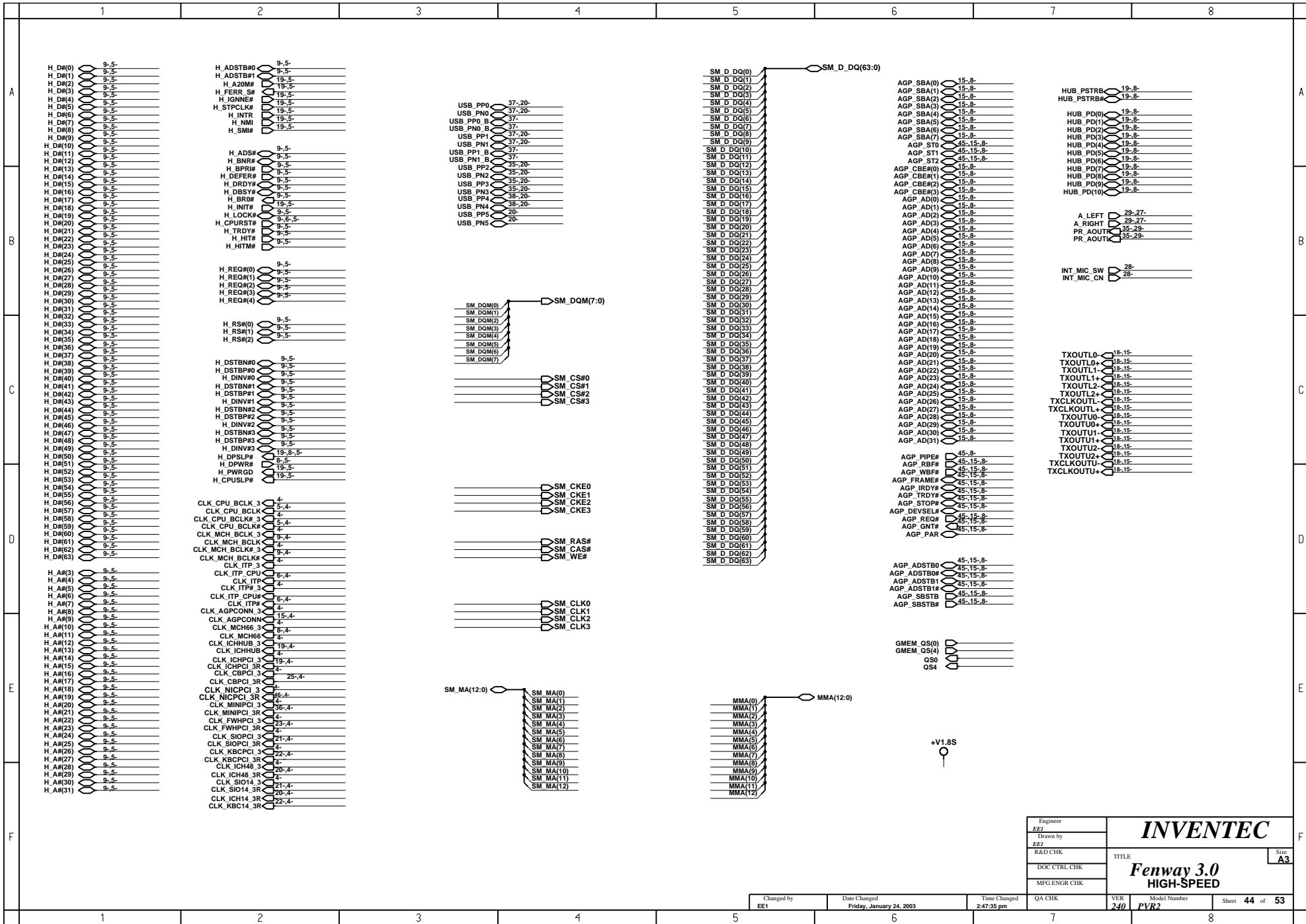
FIX4
FIX_MASK

FIX5
FIX_MASK

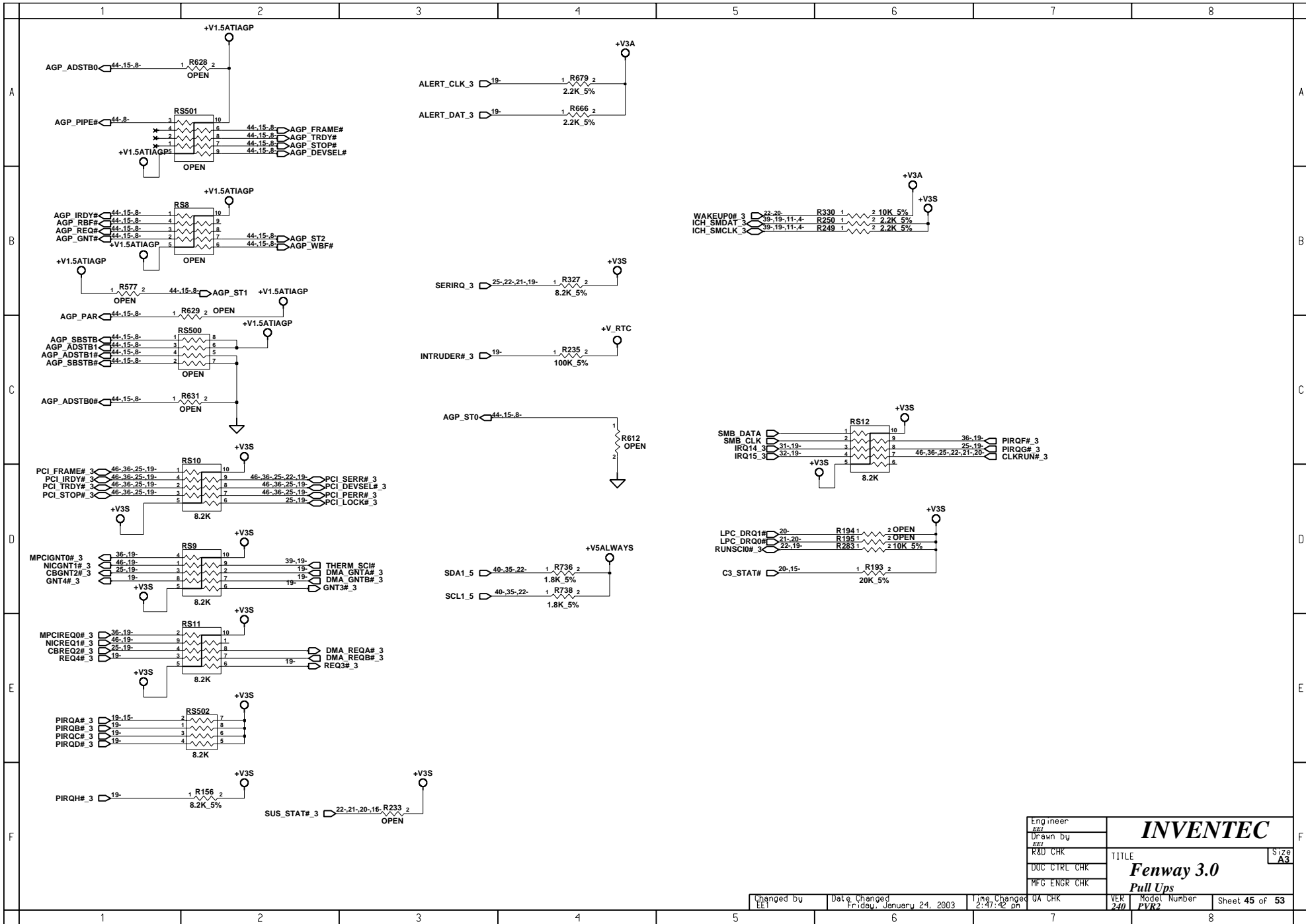
FIX6
FIX_MASK

Engineer	INVENTEC		
Drawn By			
R3D CHK			TITLE: Fenway 3.0
DOC CTRL CHK			Size
MFG ENGR CHK	REV	Sheet 43 of 53	

Changed by: [] Date Changed: Friday, January 24, 2003 Time Changed: 2:47:30 pm

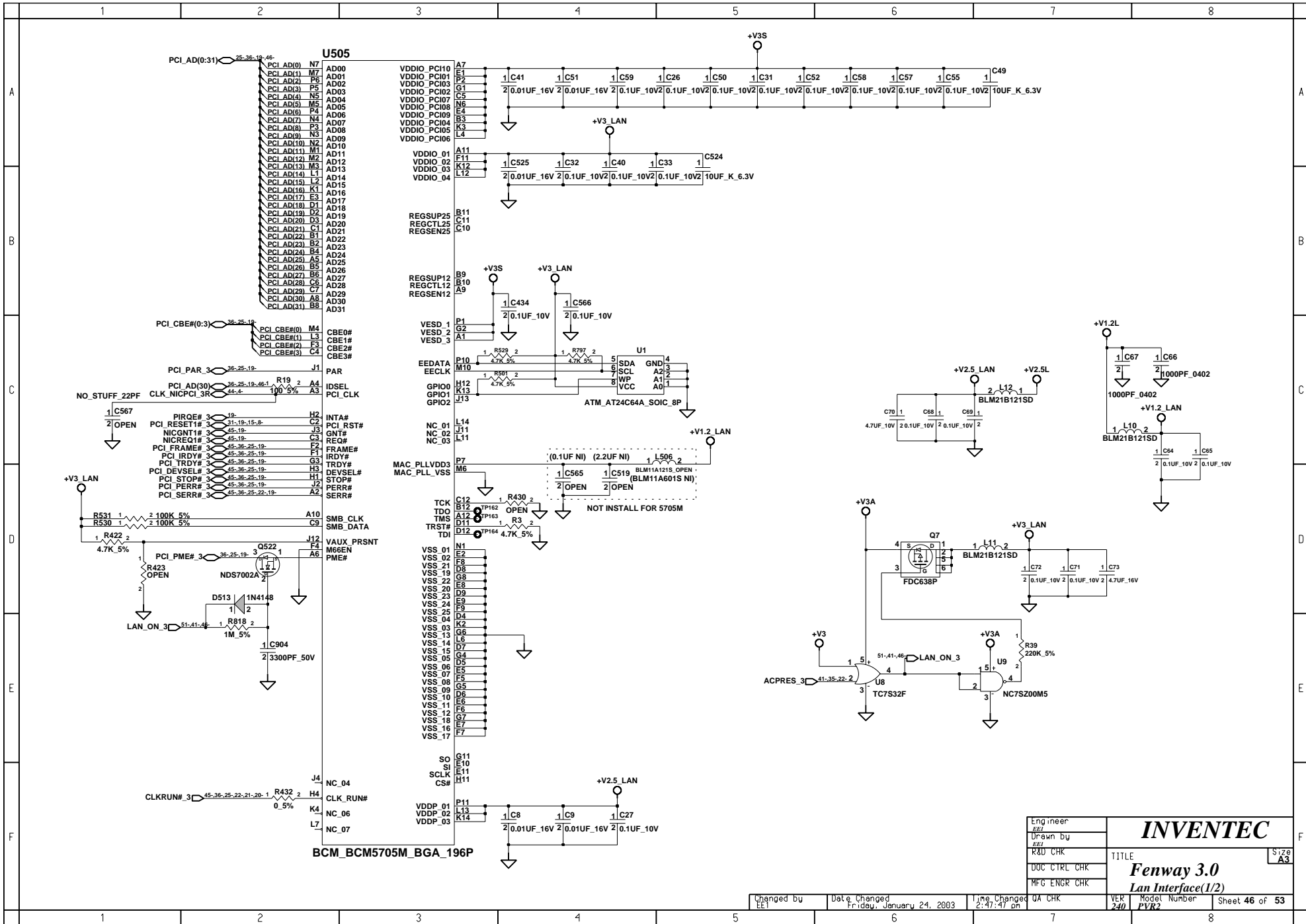


Engineer <i>EEI</i>	<h1 style="text-align: center;">INVENTEC</h1> <p style="text-align: center;">TITLE: Fenway 3.0 HIGH-SPEED</p>	Size A3
Drawn by <i>EEI</i>		
R&D CHK		
DOC CTRL CHK		
MFG ENGR CHK		



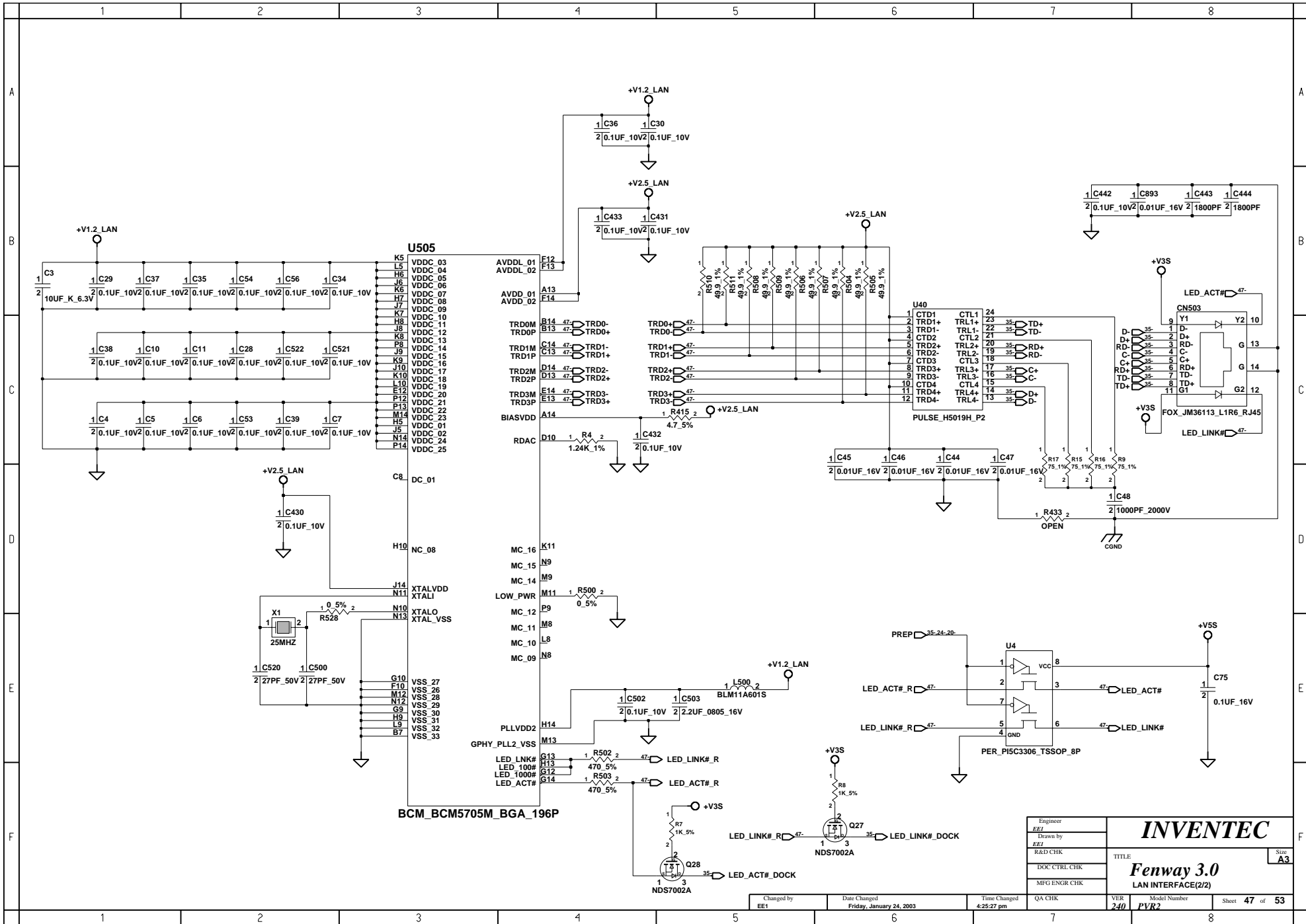
Engineer	INVENTEC		
Drawn By			
RDY CHK	TITLE	S178 A3	
DOC CTRL CHK	Fenway 3.0		
MFG ENGR CHK	Pull Ups		

Changed by	Date Changed	Time Changed	QA CHK	VER	Model Number	Sheet
EE1	Friday, January 24, 2003	2:47:42 pm		240	PVR2	45 of 53



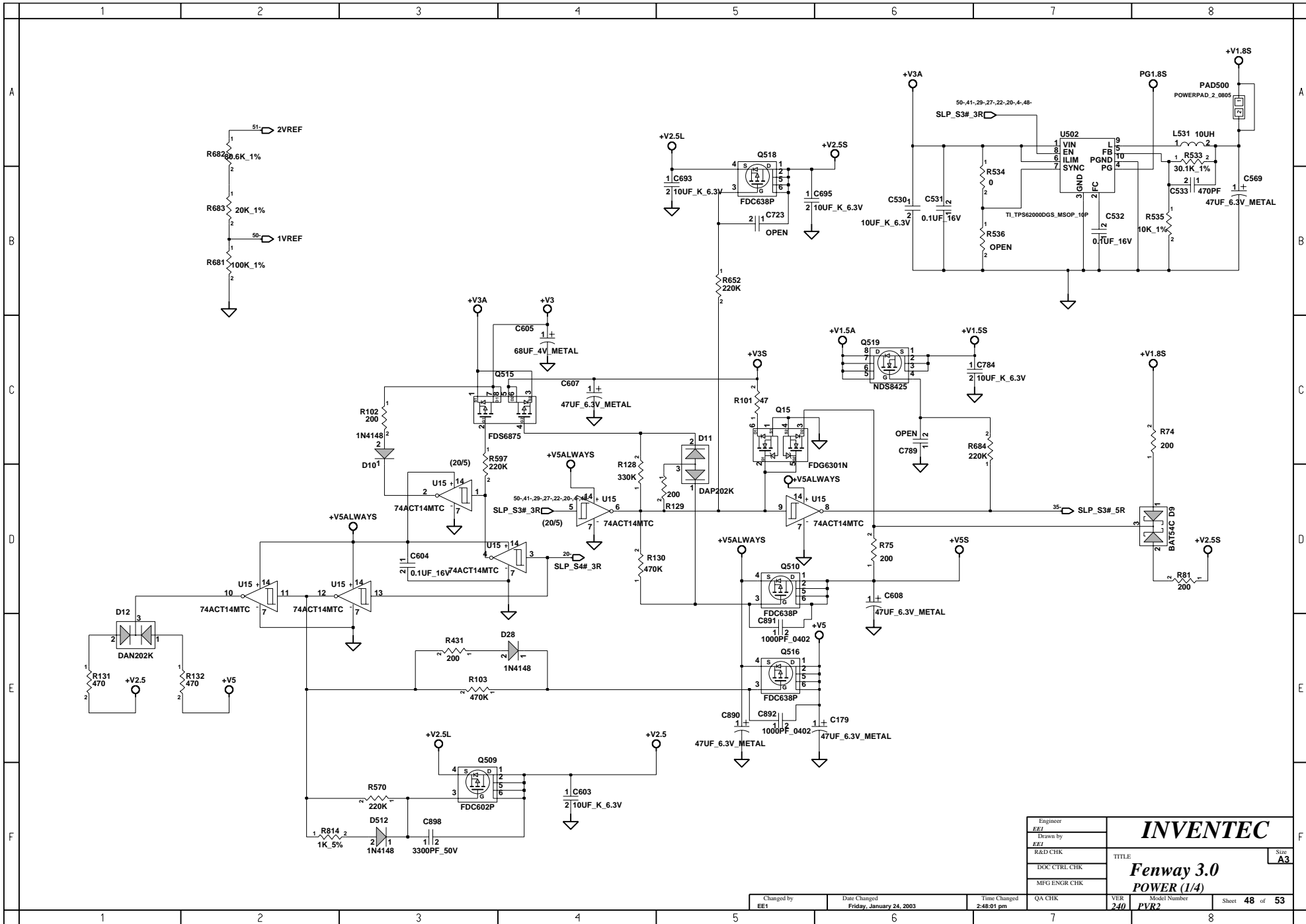
Engineer	
Drawn by	
RDY CHK	
DOC CTRL CHK	
MFG ENGR CHK	
TITLE	Fenway 3.0
	Lan Interface(1/2)

Changed by	Date Changed	Time Changed	UA CHK	VER	Model Number	Sheet 46 of 53
EE1	Friday, January 24, 2003	2:47:47 pm		240	PVR2	



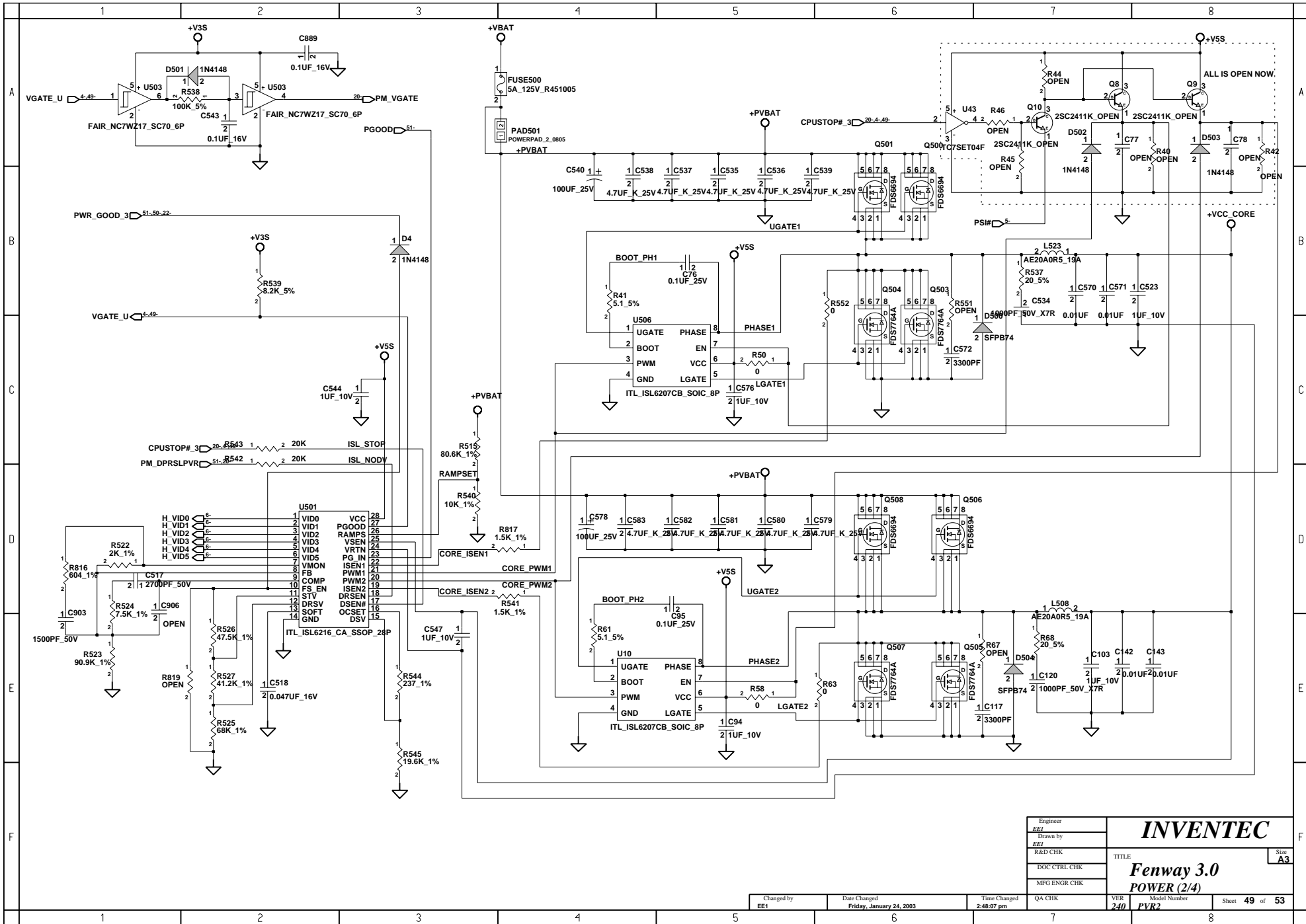
Engineer <i>EE1</i>	INVENTEC TITLE: Fenway 3.0 LAN INTERFACE(2/2) Size: A3
Drawn by <i>EE1</i>	
R&D CHK	
DOC CTRL CHK	
MFG ENGR CHK	

Changed by <i>EE1</i>	Date Changed <i>Friday, January 24, 2003</i>	Time Changed <i>4:25:27 pm</i>	QA CHK	VER 240	Model Number PVR2	Sheet 47 of 53
--------------------------	---	-----------------------------------	--------	-------------------	-----------------------------	------------------------------



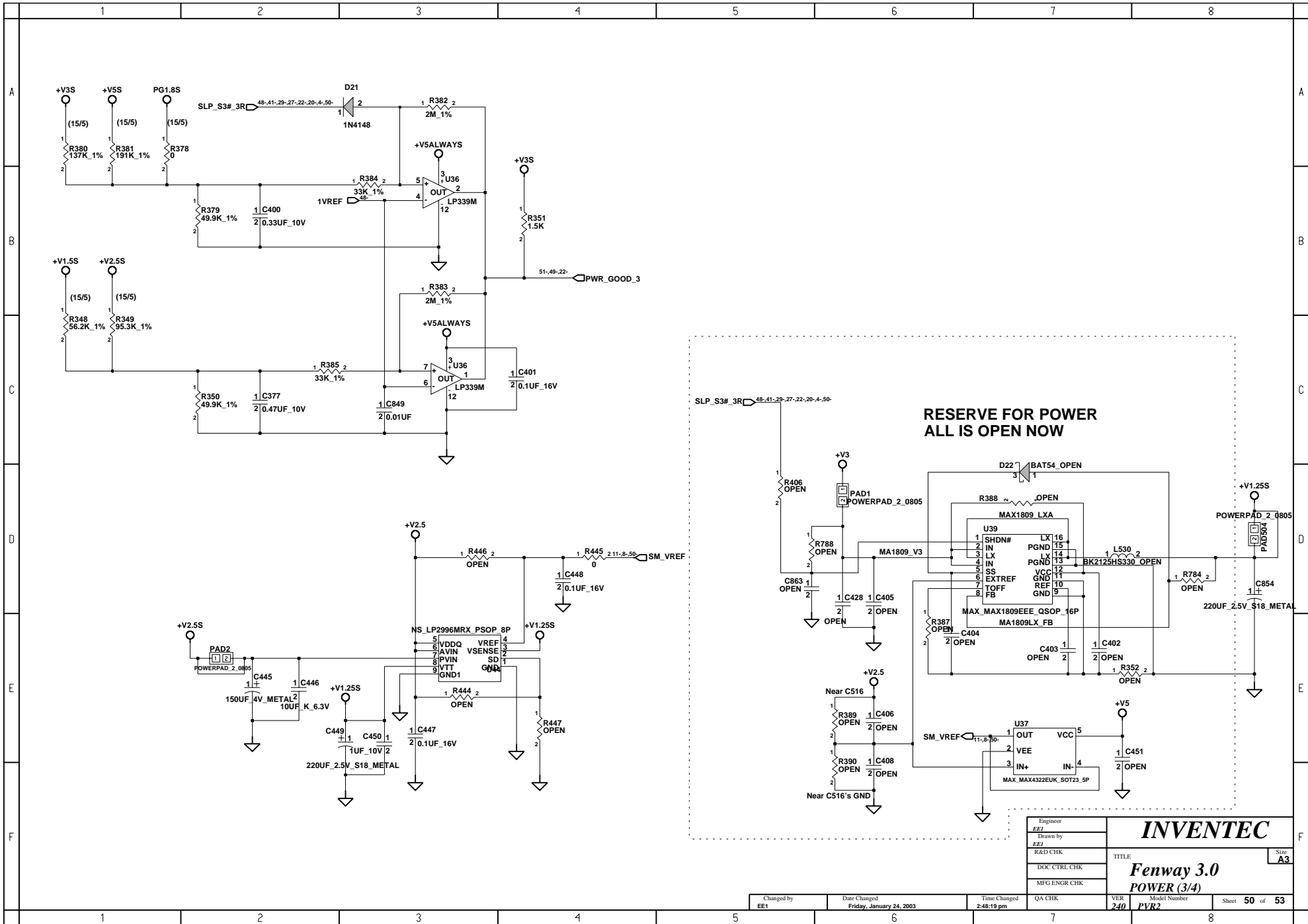
Engineer EE1	INVENTEC TITLE: Fenway 3.0 POWER (1/4) Size: A3
Drawn by EE1	
R&D CHK	
DOC CTRL CHK	
MFG ENGR CHK	

Changed by EE1	Date Changed Friday, January 24, 2003	Time Changed 2:48:01 pm	QA CHK	VER 240	Model Number PVR2	Sheet 48	of 53
-------------------	--	----------------------------	--------	------------	----------------------	-------------	----------



Engineer		INVENTEC	Size A3
Drawn by			
R&D CHK			
DOC CTRL CHK			
MFG ENGR CHK			
TITLE:		Fenway 3.0 POWER (2/4)	

Changed by	Date Changed	Time Changed	QA CHK	VER	Model Number	Sheet
EE1	Friday, January 24, 2003	2:48:07 pm		240	PVR2	49 of 53



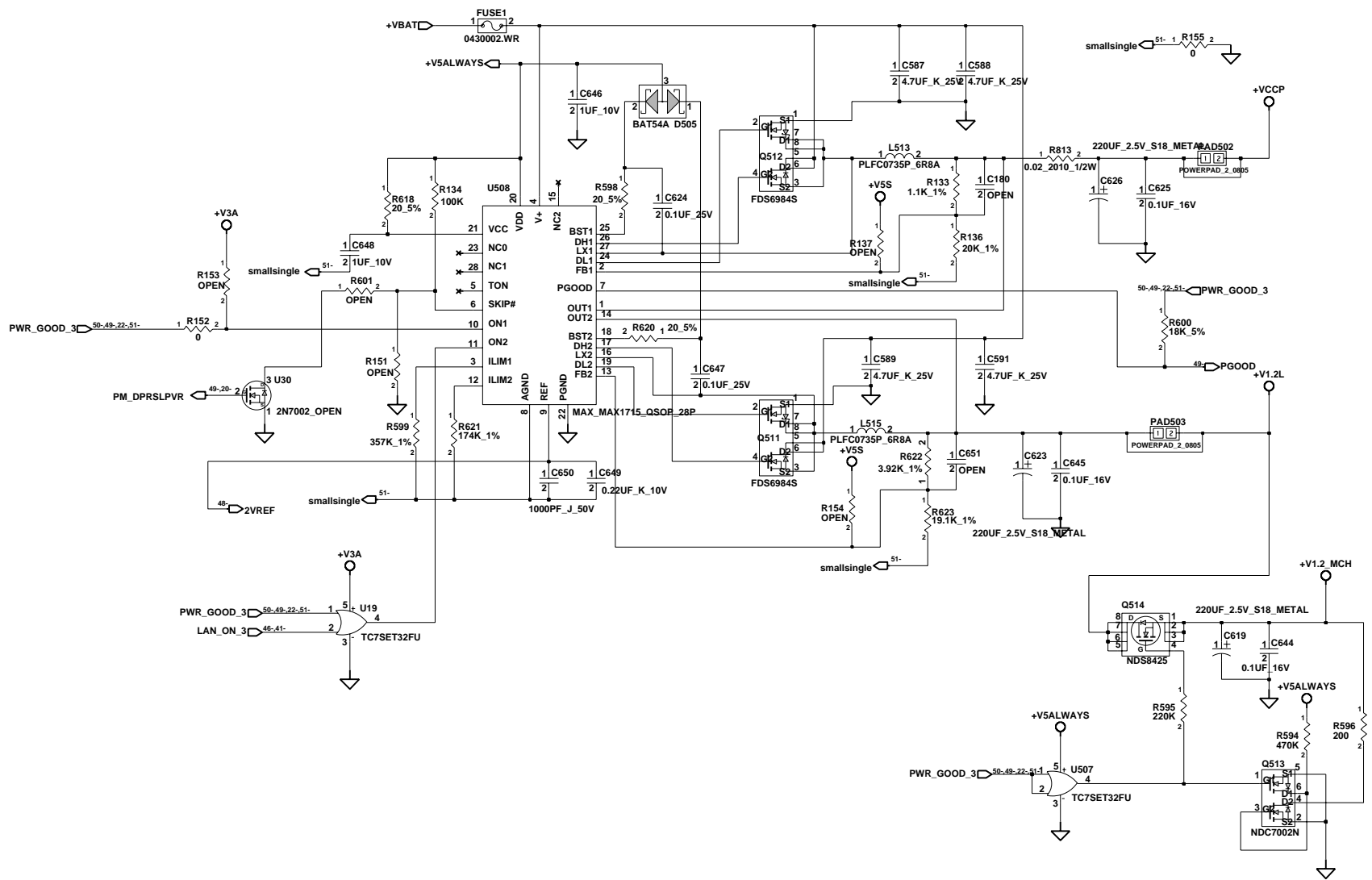
Engineer	
Drawn by	
R&D CHK	
DOC CTRL CHK	
MFG ENGR CHK	

INVENTEC

TITLE: **Fenway 3.0
POWER (3/4)**

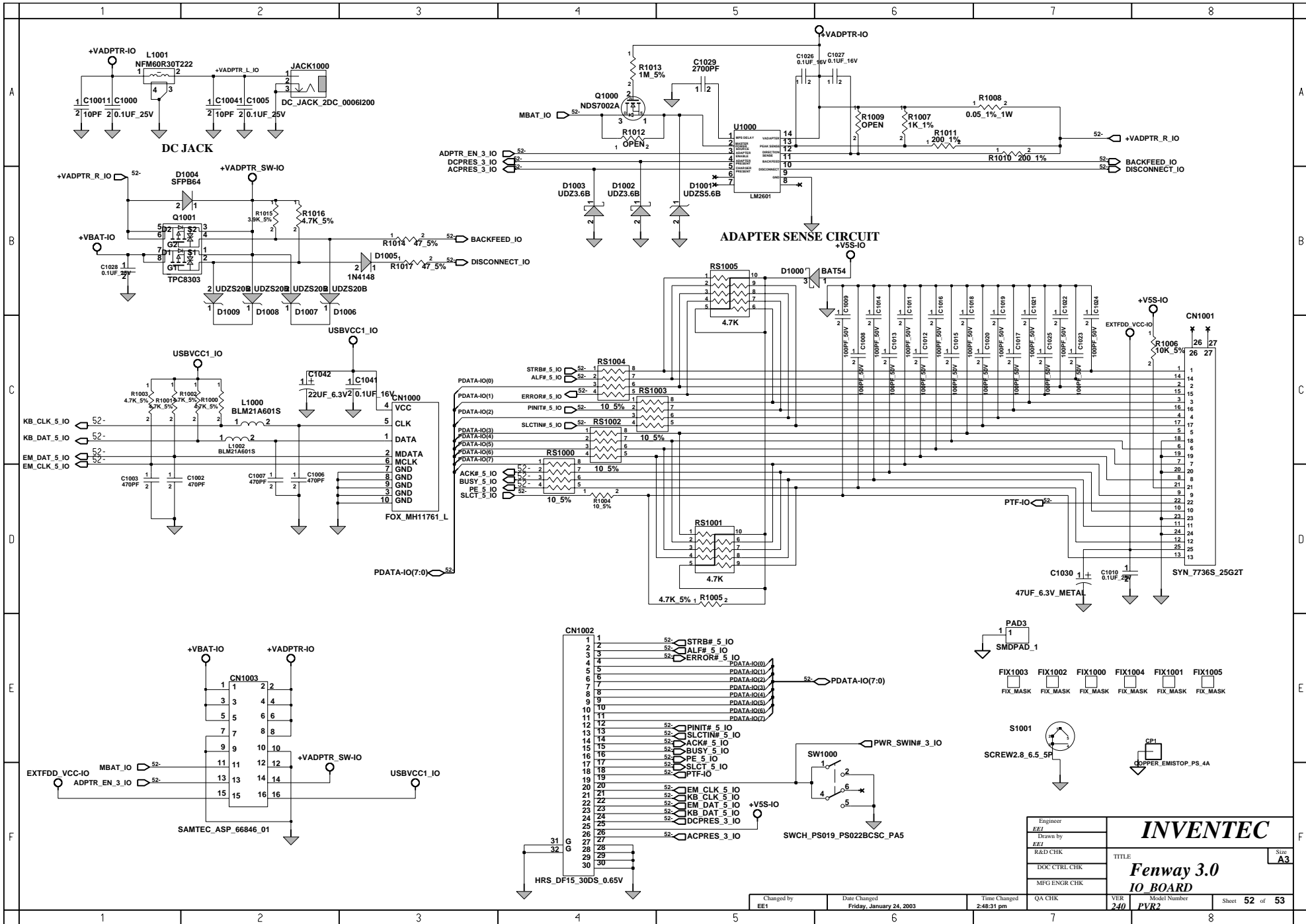
Sheet **50** of **53**

Changed by EE1	Date Changed Friday, January 24, 2003	Time Changed 2:48:19 pm	QA CHK	VER 240	Model Number PVR2	Sheet 50	of 53
-------------------	--	----------------------------	--------	------------	----------------------	-------------	----------



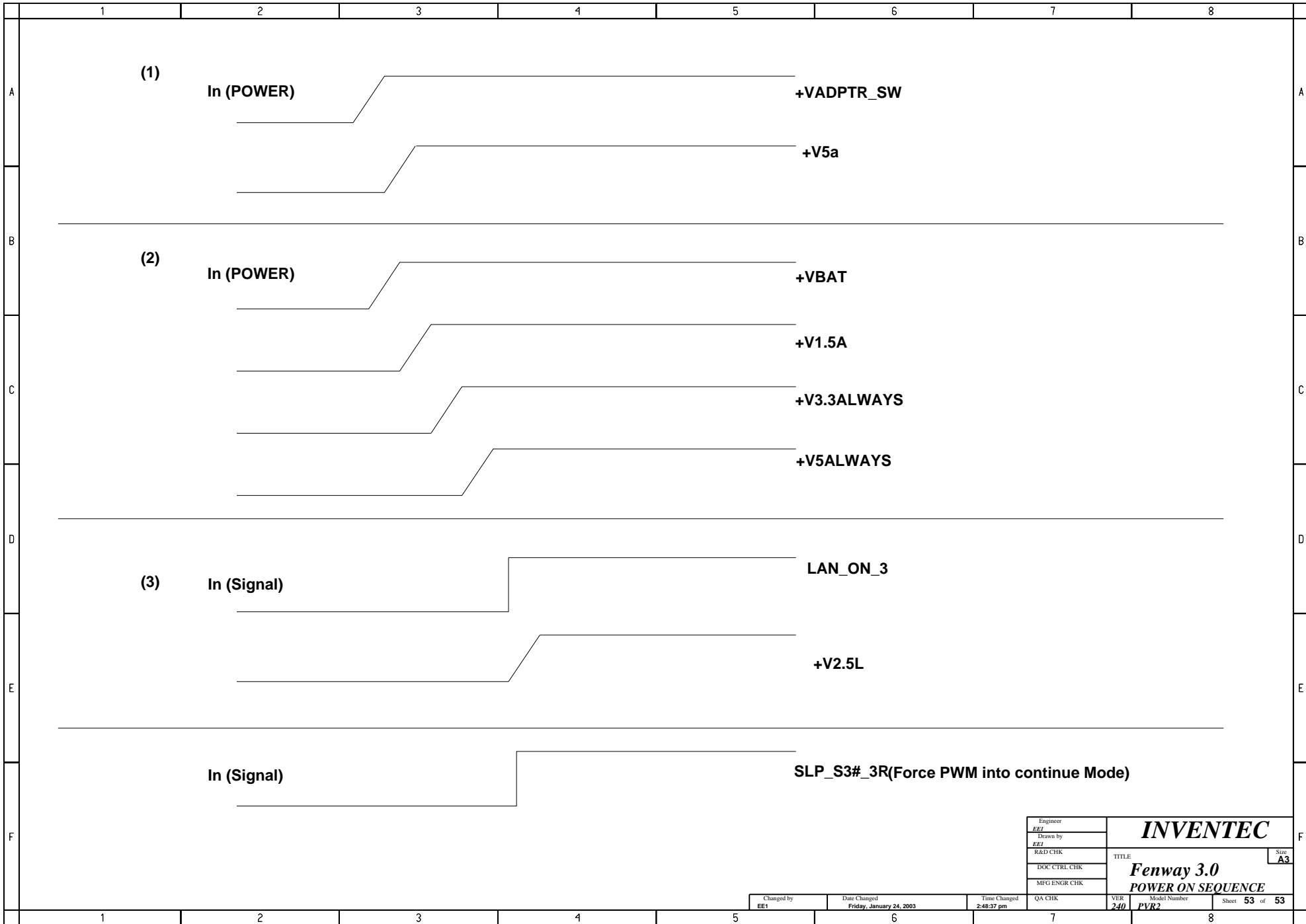
Engineer <i>EEI</i>	INVENTEC TITLE: Fenway 3.0 POWER(4/4)	Size A3
Drawn by <i>EEI</i>		
R&D CHK		
DOC CTRL CHK		
MFG ENGR CHK		

Changed by EE1	Date Changed Friday, January 24, 2003	Time Changed 2:48:25 pm	QA CHK	VER 240	Model Number PVR2	Sheet 51	of 53
--------------------------	---	-----------------------------------	--------	-------------------	-----------------------------	--------------------	-----------------



Engineer		
Drawn by		
Checked by		
R&D CHK	TITLE	Size
DOC CTRL CHK	Fenway 3.0	A3
MFG ENGR CHK	IO BOARD	

Changed by	Date Changed	Time Changed	QA CHK	VER	Model Number	Sheet
EE1	Friday, January 24, 2003	2:48:31 pm		240	PVR2	52 of 53



Engineer <i>EE1</i>	INVENTEC Fenway 3.0 POWER ON SEQUENCE	Size A3
Drawn by <i>EE1</i>		
R&D CHK		TITLE
DOC CTRL CHK		
MFG ENGR CHK		

Changed by EE1	Date Changed Friday, January 24, 2003	Time Changed 2:48:37 pm	QA CHK	VER 240	Model Number PVR2	Sheet 53 of 53
--------------------------	---	-----------------------------------	--------	-------------------	-----------------------------	------------------------------