

DosXX Dunkel 1.0

MV1_BUILD

2007.02.28

DATE	CHANGE NO.	REV

DRAWER	EE	DATE	POWER	DATE	INVENTEC			
DESIGN					TITLE DD1.0			
CHECK								
RESPONSIBLE								
SIZE =	3		VER :		SIZE A3	CODE CS	DOC. NUMBER	REV
FILE NAME :	XXXX-XXXXXX-XX						Model No	A02
P/N	XXXXXXXXXXXX						SHEET 1 OF 60	

TABLE OF CONTENTS

PAGE	PAGE	PAGE
5- DC& BATTERY CHARGER	28- DDR2-DIMM0	52-MINI CARD(WWAN/WLAN)& SIM CARD
6- SELECT & BATTERY CONN	29- DDR2-DIMM1	53-ODD extension board
7- SYSTEM POWER(3V/5V)	30- DDR2-DAMPING	54- DOCKING CONN
8- SYSTEM POWER(+V1.8/+V1.25S)	31- CRT& SVIDEO CONN	55- LED/SWITCH CONN
9- GRAPHIC POWER(+VGFX_CORE)	32- LCD CONN	56- SCREW
10- SYSTEM POWER(+VCCP/+V1.5S)	33- ICH8-1	57- SWITCH DOUGHTER BOARD
11- CPU POWER(VCC_CORE)	34- ICH8-2	58- 58- Finger Print board
12- DDR TERMINATION VOLTAGE	35- ICH8-3	59- 5 IN 1 CONTROLLER(Northstar)
13- POWER(SLEEP)	36- ICH8-4	60- 5 IN 1 CONNECTOR(Northstar)
14- POWER(SEQUENCE)	37- ICH8-5	
15- CLOCK_GENERATOR	38- HDD CONN	
16- MEROM-1	39- ODD CONN	
17- MEROM-2	40- USB CONN/USB(DB)	
18- MEROM-3	41- FINGER PRINT&BlueTooth	
19- MEROM-4	42- TPM V1.2	
20- THERMAL&FAN CONTROLLER	43- FWH/SPI/HDD PROTECTION	
21- Crestline-1	44- KBC	
22- Crestline-2	45- INT.KBC/POINT DEVICES	
23- Crestline-3-HOST	46- SUPER I/O	
24- Crestline-4-DDR2	47- DAUGHTER BOARD CONN	
25- Crestline-5-POWER	48- 5 IN 1 CONTROLLER	
26- Crestline-6-POWER	49- 5 IN 1 CONNECTOR	
27- Crestline-7-POWER	50- LAN INTERFACE-1	
	51- LAN RJ45 CONN	

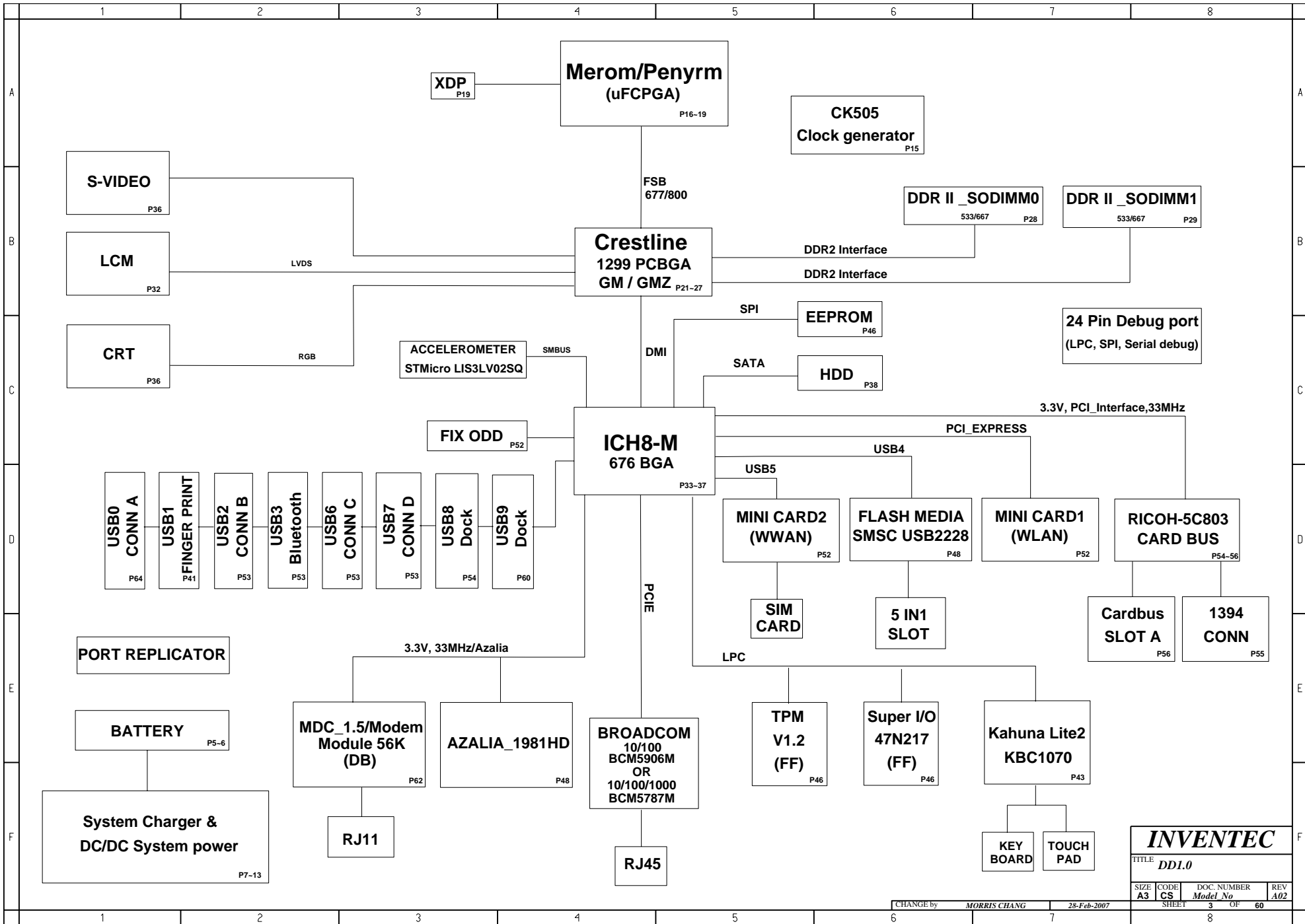
INVENTEC

TITLE *DD1.0*

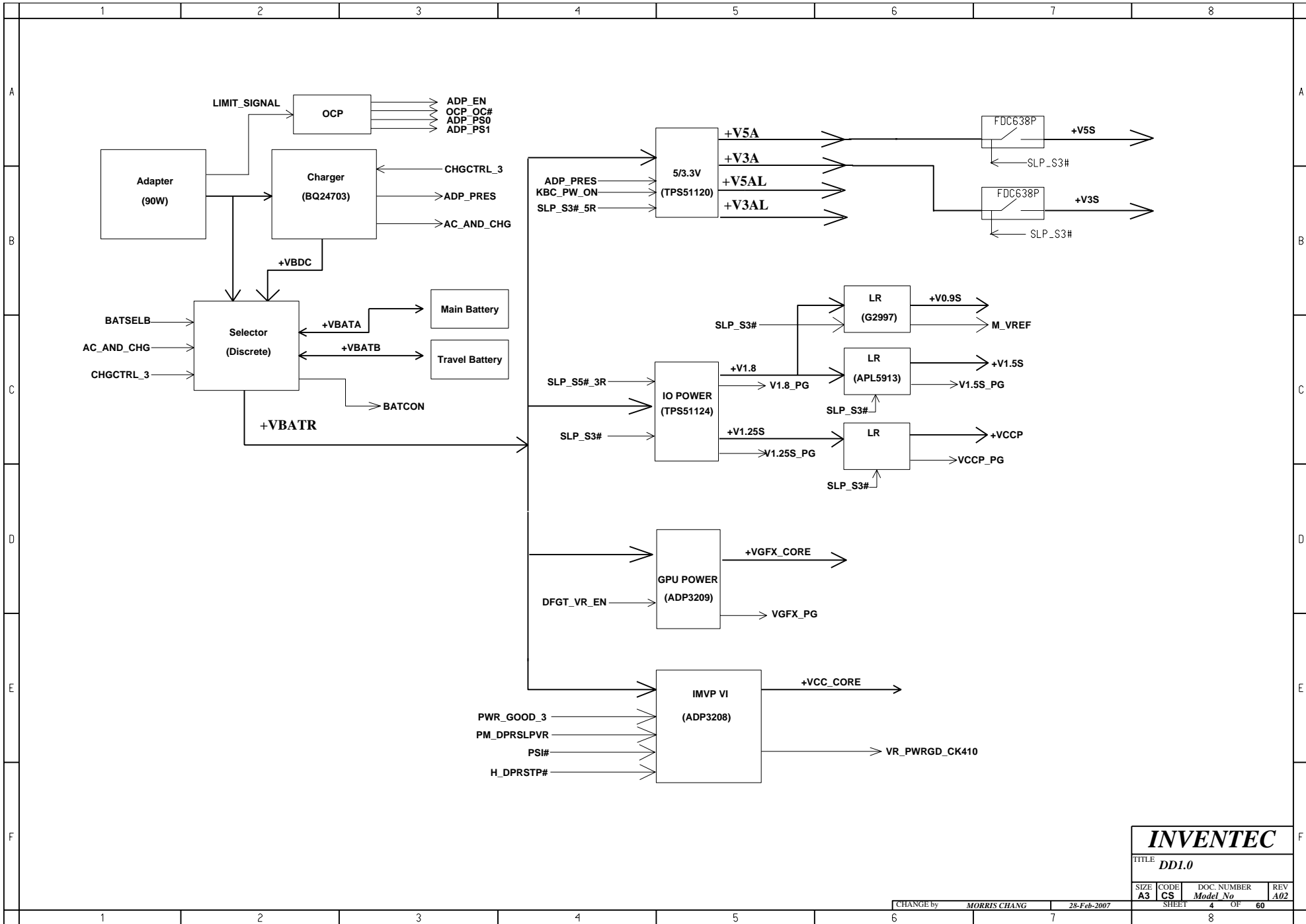
SIZE A3	CODE CS	DOC. NUMBER <i>Model No</i>	REV A02
-------------------	-------------------	--------------------------------	-------------------

CHANGE by *MORRIS CHANG* 28-Feb-2007

SHEET **2** OF **60**



INVENTEC			
TITLE <i>DD1.0</i>			
SIZE A3	CODE CS	DOC. NUMBER <i>Model No</i>	REV A02
CHANGE by <i>MORRIS CHANG</i>		28-Feb-2007	
SHEET 3		OF 60	



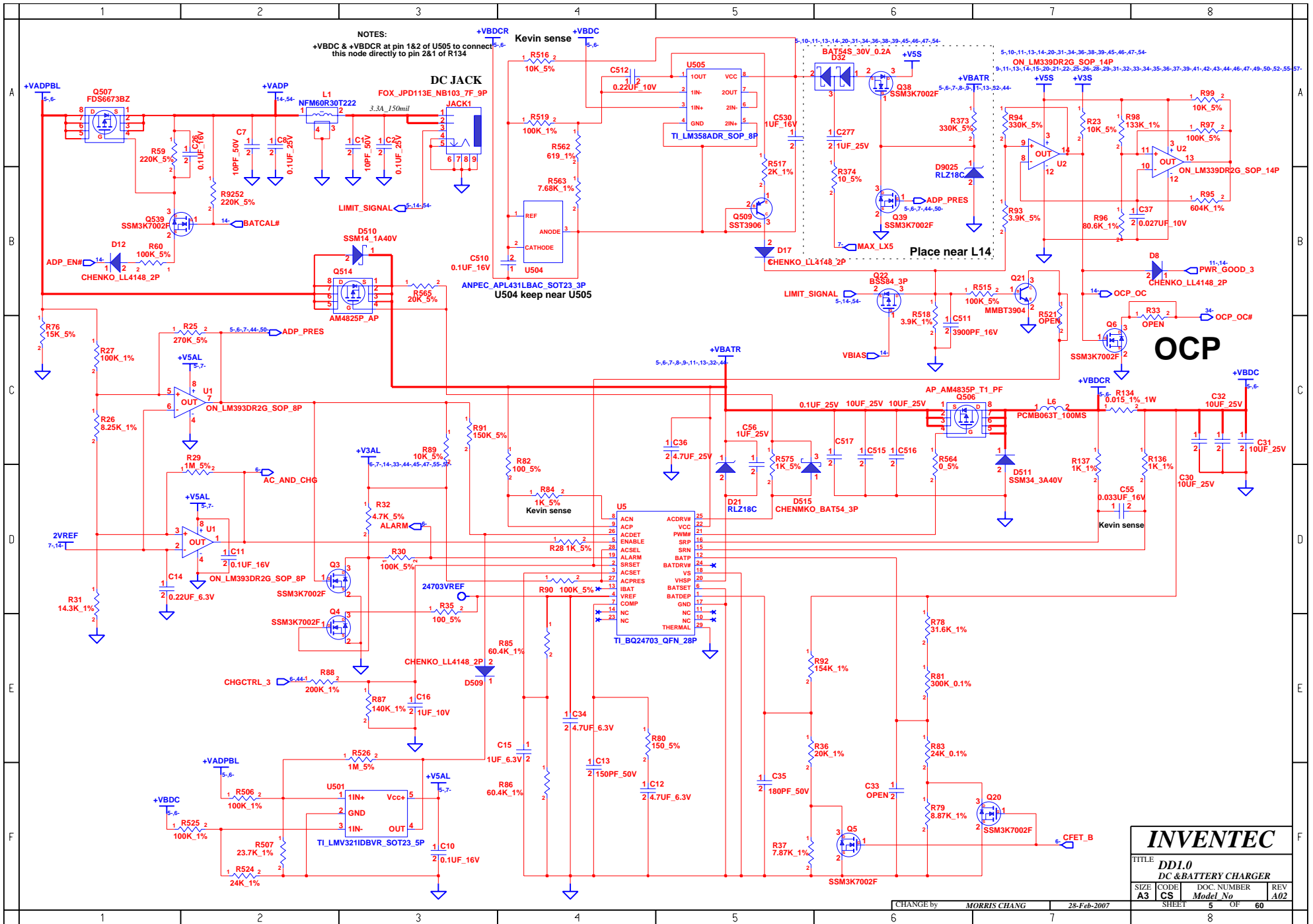
INVENTEC

TITLE **DD1.0**

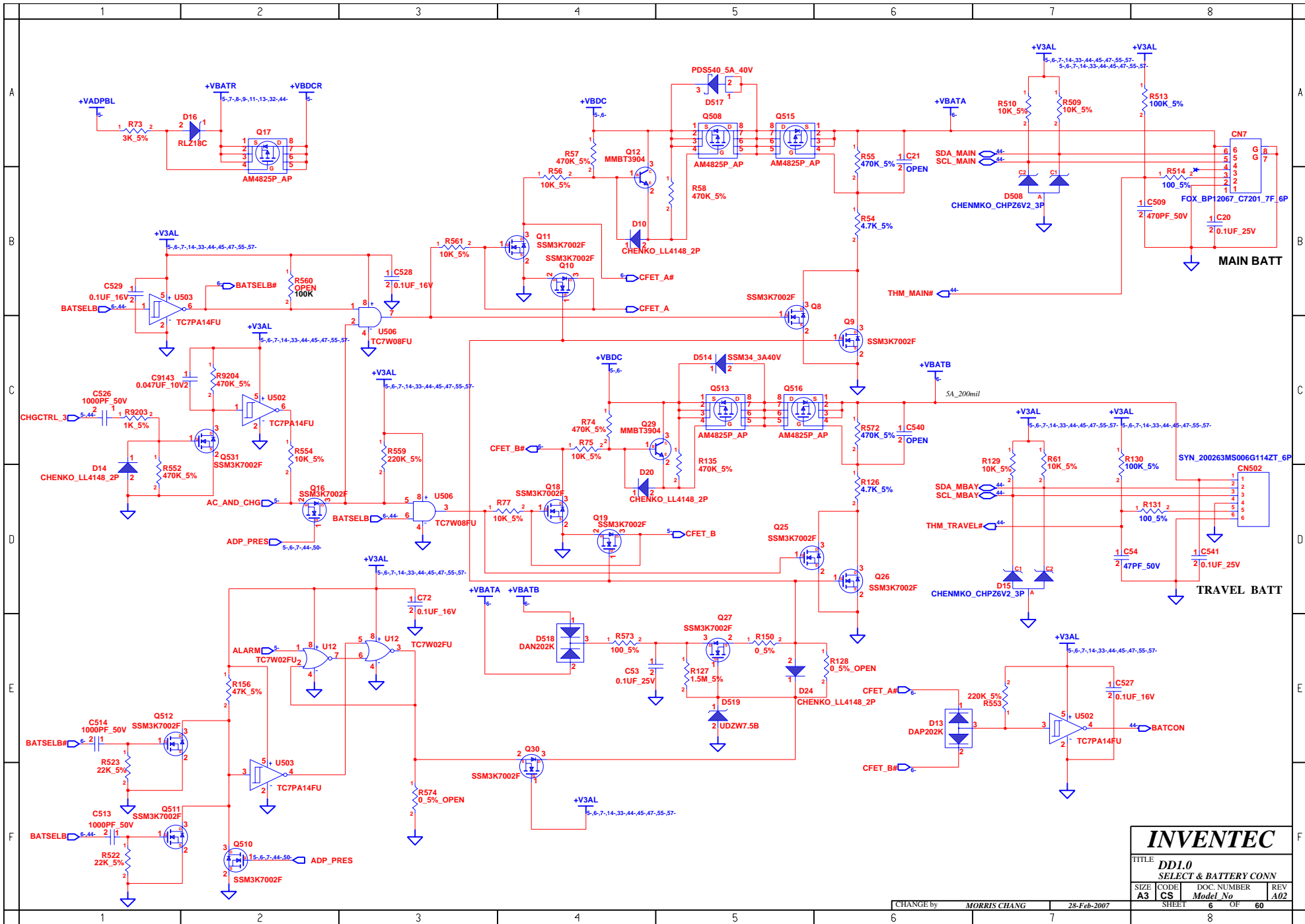
SIZE A3	CODE CS	DOC. NUMBER Model No	REV A02
----------------	----------------	-----------------------------	----------------

CHANGE by **MORRIS CHANG** 28-Feb-2007

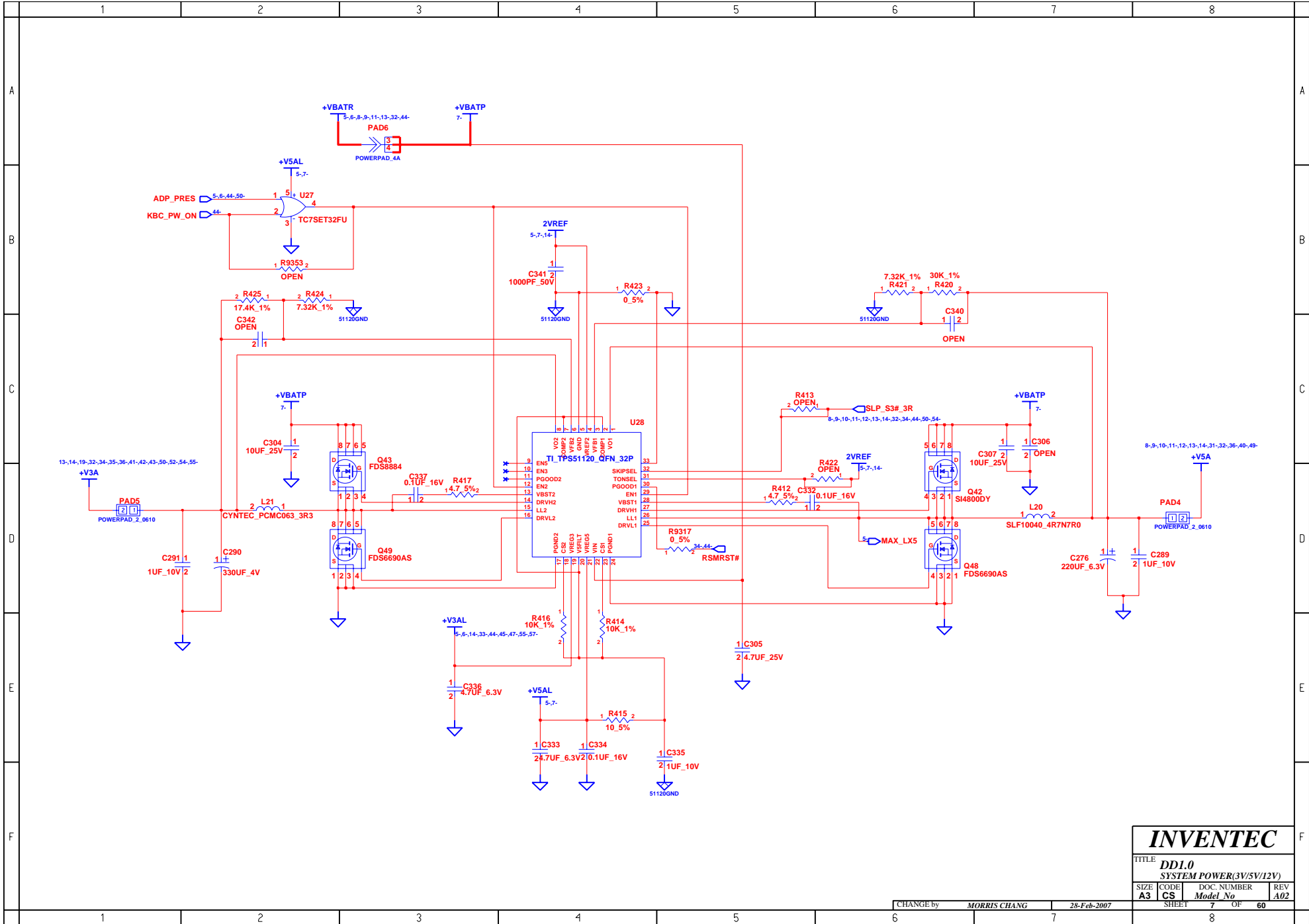
SHEET **4** OF **60**



INVENTEC			
TITLE DD1.0 DC & BATTERY CHARGER			
SIZE A3	CODE CS	DOC. NUMBER Model No	REV A02
CHANGE by MORRIS CHANG		28-Feb-2007	
SHEET 5		OF 60	



INVENTEC			
TITLE DD1.0 SELECT & BATTERY CONN			
SIZE A3	CODE CS	DOC NUMBER Model No	REV A02

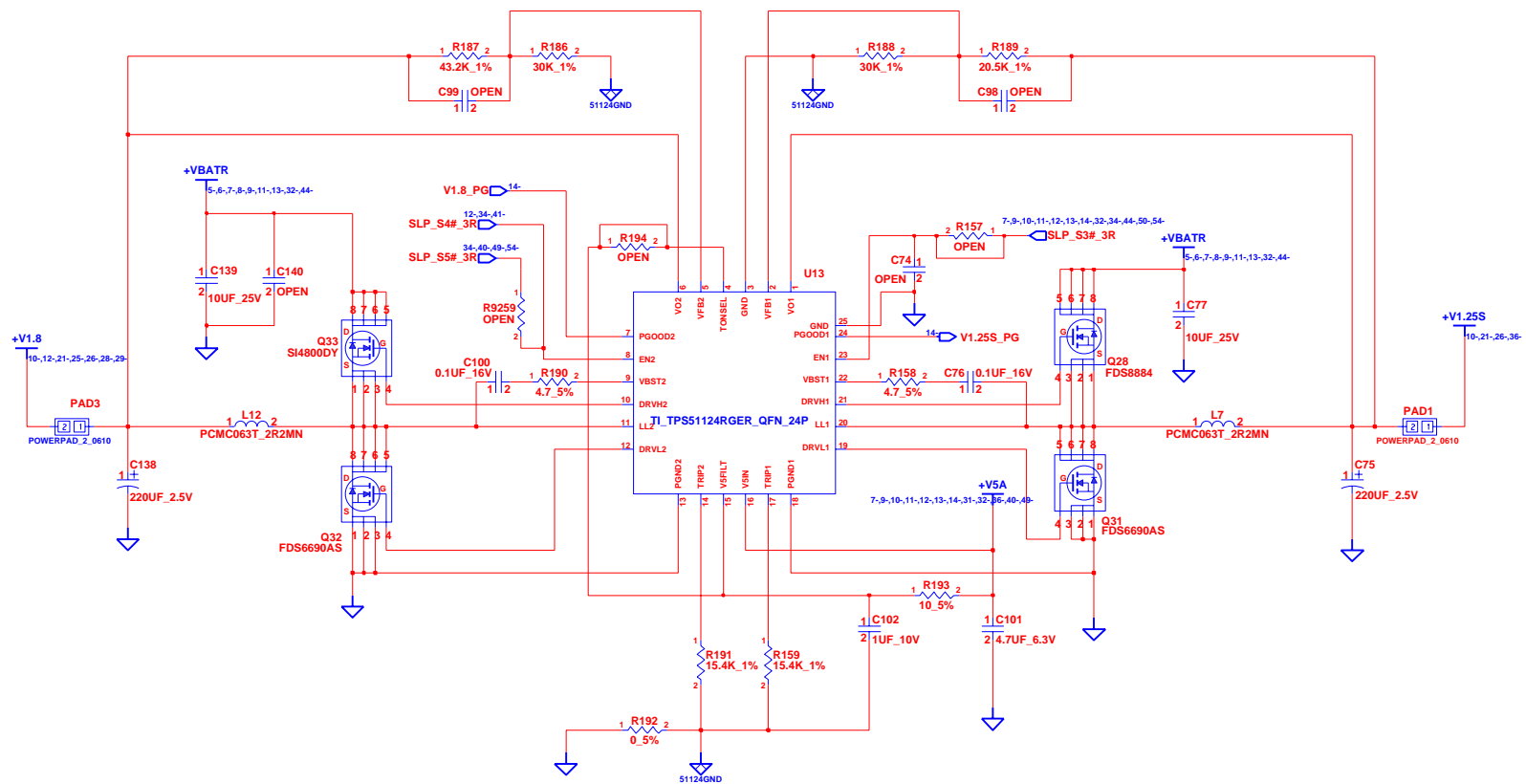


INVENTEC

TITLE
DDI.0
 SYSTEM POWER(3V/5V/12V)

SIZE	CODE	DOC. NUMBER	REV
A3	CS	Model No	A02

CHANGE by MORRIS CHANG 28-Feb-2007 SHEET 7 OF 60

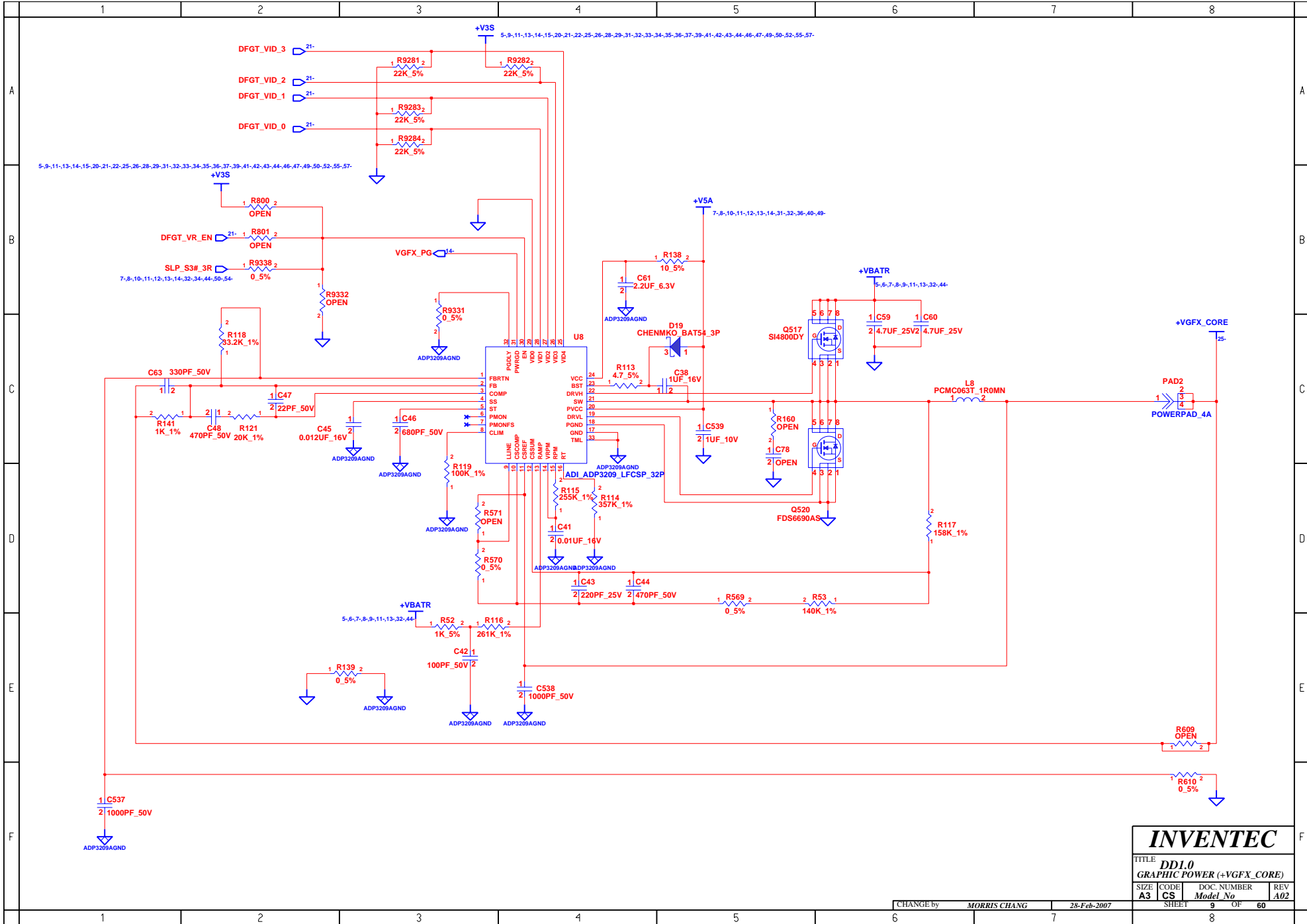


INVENTEC

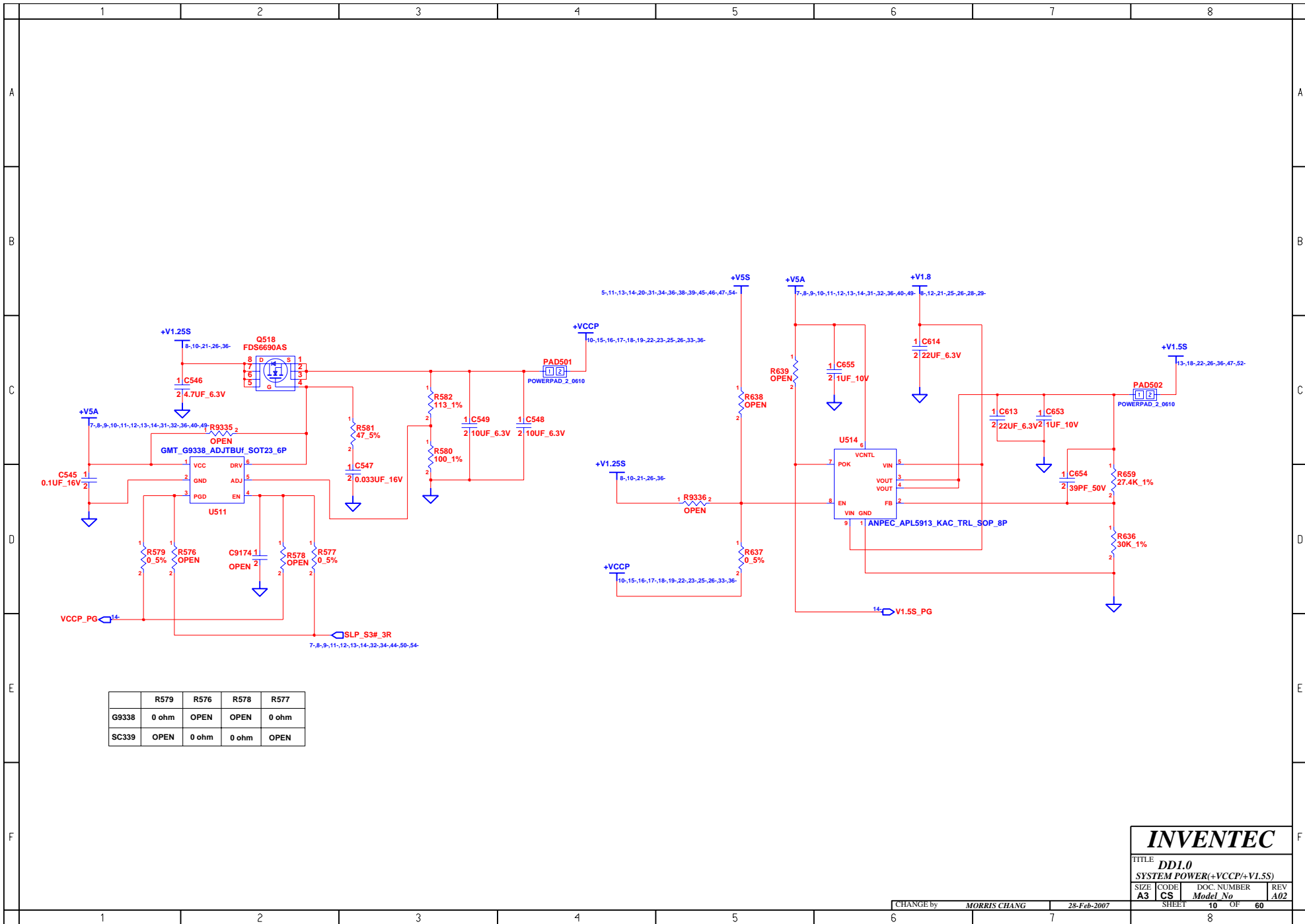
TITLE			
DD1.0			
SYSTEM POWER(+V1.8/+V1.25S)			
SIZE	CODE	DOC. NUMBER	REV
A3	CS	Model No	A02

CHANGE by MORRIS CHANG 28-Feb-2007

SHEET 8 OF 60



INVENTEC			
TITLE DDL.0			
GRAPHIC POWER (+VGFX_CORE)			
SIZE A3	CODE CS	DOC. NUMBER Model No	REV A02
CHANGE by MORRIS CHANG		28-Feb-2007	
SHEET 9		OF 60	



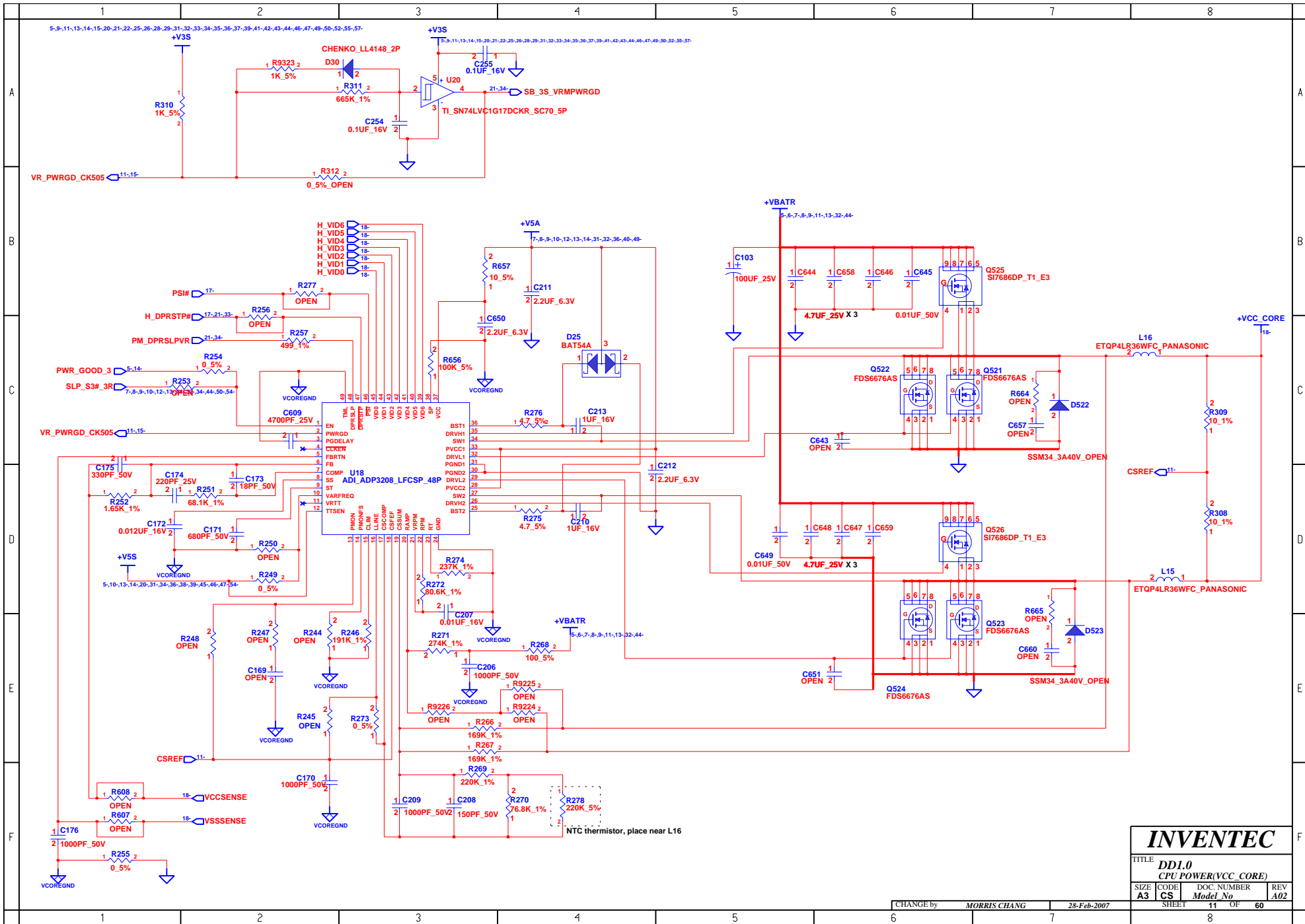
	R579	R576	R578	R577
G9338	0 ohm	OPEN	OPEN	0 ohm
SC339	OPEN	0 ohm	0 ohm	OPEN

INVENTEC

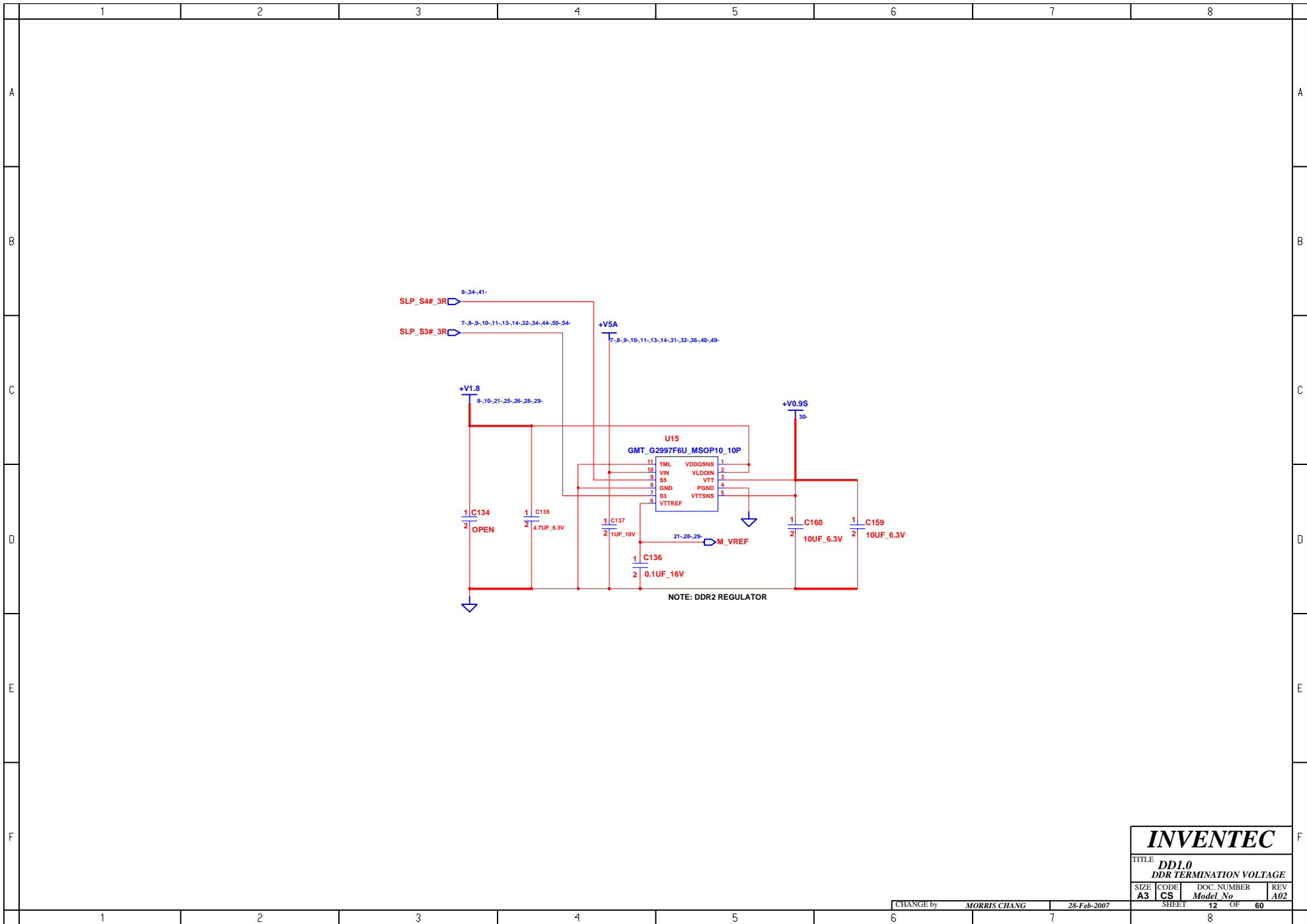
TITLE: **DD1.0**
SYSTEM POWER(+VCCP/+V1.5S)

SIZE	CODE	DOC. NUMBER	REV
A3	CS	Model No	A02

CHANGE by: MORRIS CHANG 28-Feb-2007 SHEET 10 OF 60



INVENTEC			
TITLE DD1.0 CPU POWER(VCC_CORE)			
SIZE A3	CODE CS	DOC. NUMBER Model No	REV A02
CHANGE by MORRIS CHANG		28-Feb-2007	
SHEET 11		OF 60	

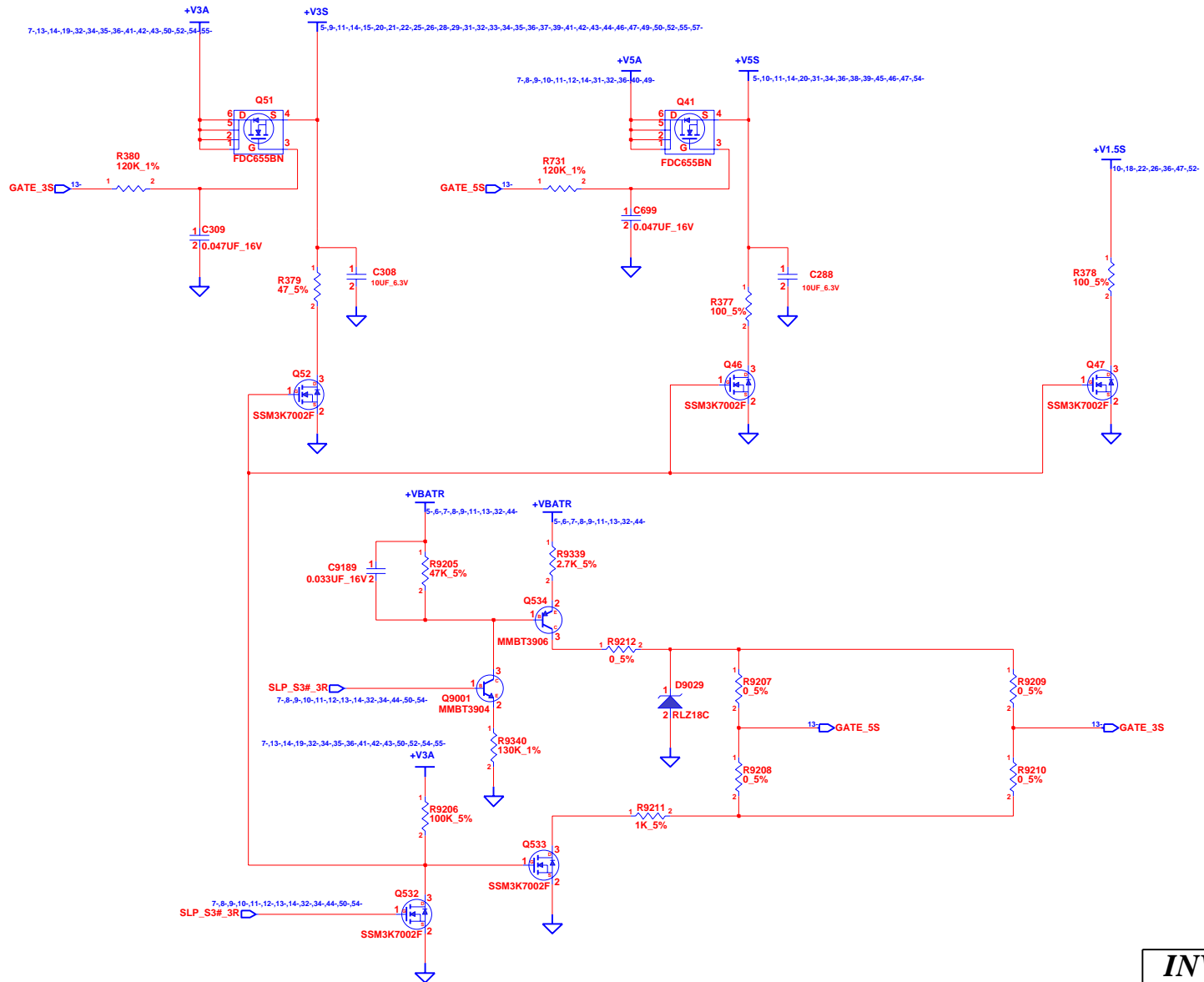


INVENTEC

TITLE			
DD1.0 DDR TERMINATION VOLTAGE			
SIZE	CODE	DOC. NUMBER	REV
A3	CS	Model No	A02

CHANGE by MORRIS CHANG 28-Feb-2007

SHEET 12 OF 60

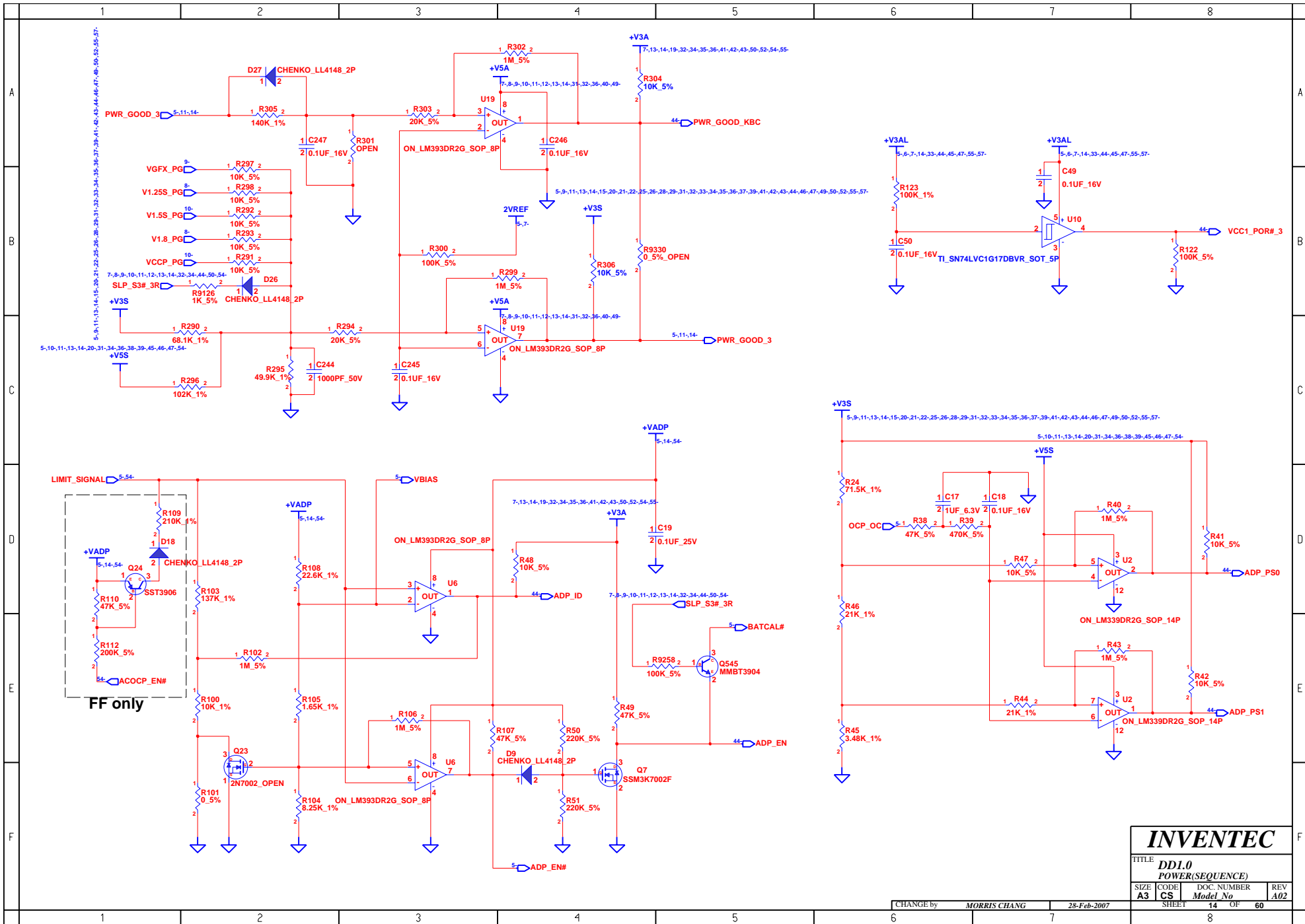


INVENTEC

TITLE			
DDI.0 POWER(SLEEP)			
SIZE	CODE	DOC. NUMBER	REV
A3	CS	Model No	A02

CHANGE by MORRIS CHANG 28-Feb-2007

SHEET 13 OF 60

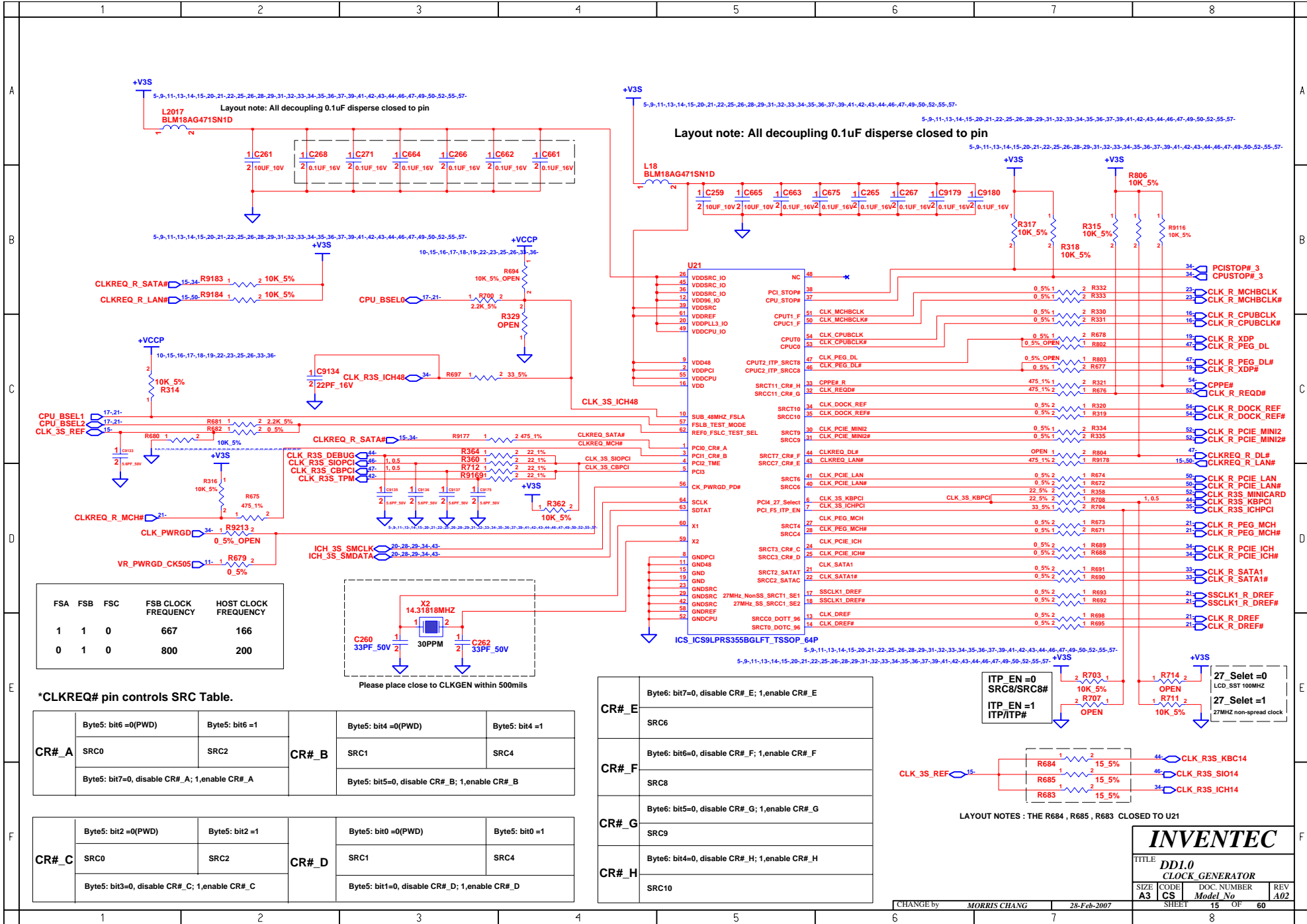


INVENTEC

TITLE
DD1.0
POWER(SEQUENCE)

SIZE	CODE	DOC. NUMBER	REV
A3	CS	Model No	A02

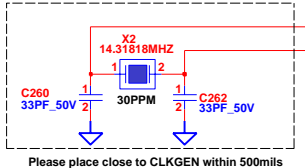
CHANGE by MORRIS CHANG 28-Feb-2007 SHEET 14 OF 60



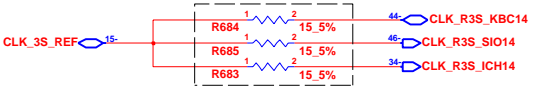
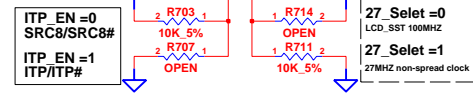
FSA	FSB	FSC	FSB CLOCK FREQUENCY	HOST CLOCK FREQUENCY
1	1	0	667	166
0	1	0	800	200

*CLKREQ# pin controls SRC Table.

CR#_A	Byte5: bit6=0(PWD)		Byte5: bit6=1		CR#_B	Byte5: bit4=0(PWD)		Byte5: bit4=1	
	SRC0	SRC2	SRC1	SRC4		Byte5: bit5=0, disable CR#_B; 1,enable CR#_B			
CR#_C	Byte5: bit2=0(PWD)		Byte5: bit2=1		CR#_D	Byte5: bit0=0(PWD)		Byte5: bit0=1	
	SRC0	SRC2	SRC1	SRC4		Byte5: bit1=0, disable CR#_D; 1,enable CR#_D			



CR#_E	Byte6: bit7=0, disable CR#_E; 1,enable CR#_E	SRC6
CR#_F	Byte6: bit6=0, disable CR#_F; 1,enable CR#_F	SRC8
CR#_G	Byte6: bit5=0, disable CR#_G; 1,enable CR#_G	SRC9
CR#_H	Byte6: bit4=0, disable CR#_H; 1,enable CR#_H	SRC10



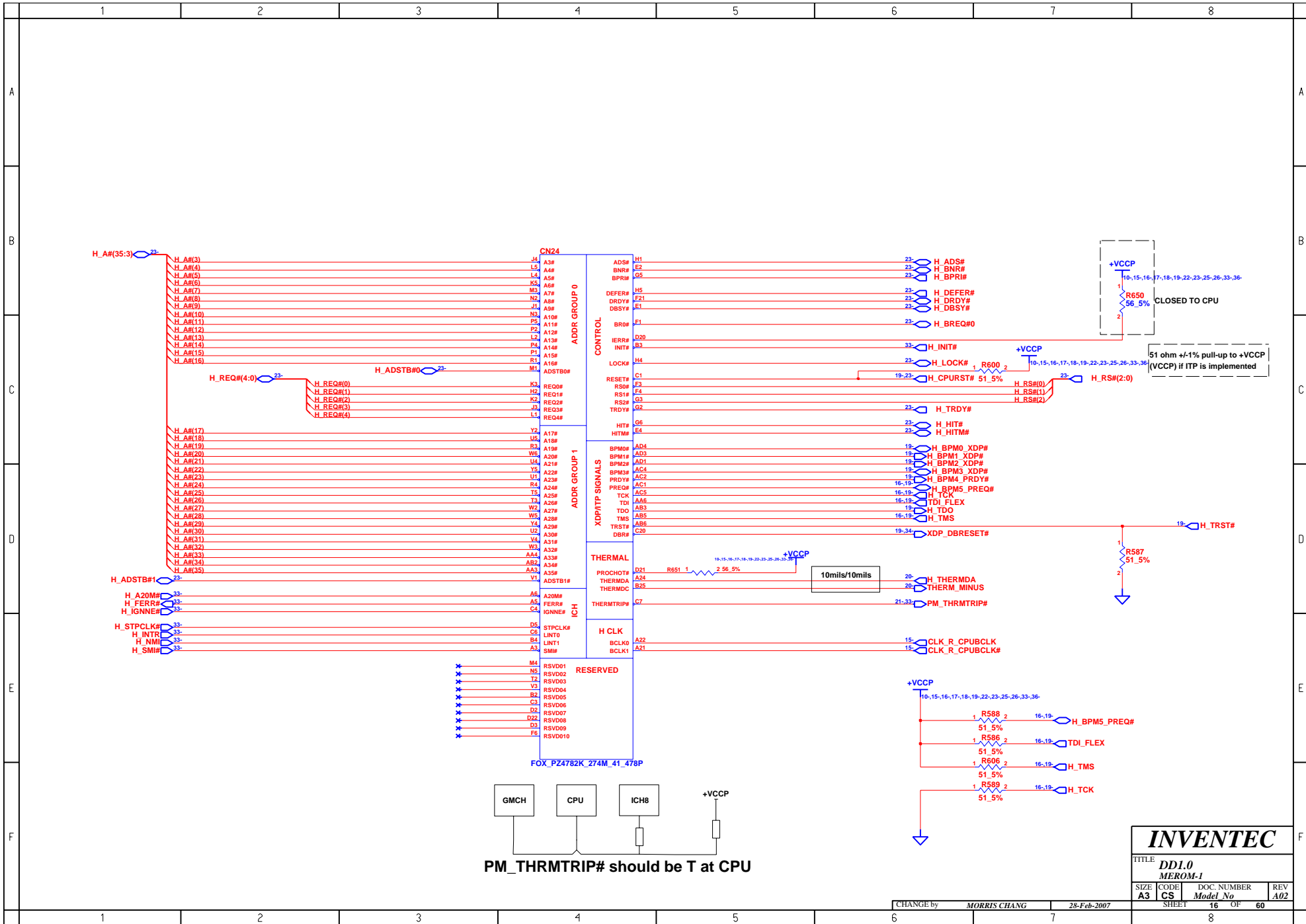
LAYOUT NOTES : THE R684 , R685 , R683 CLOSED TO U21

INVENTEC

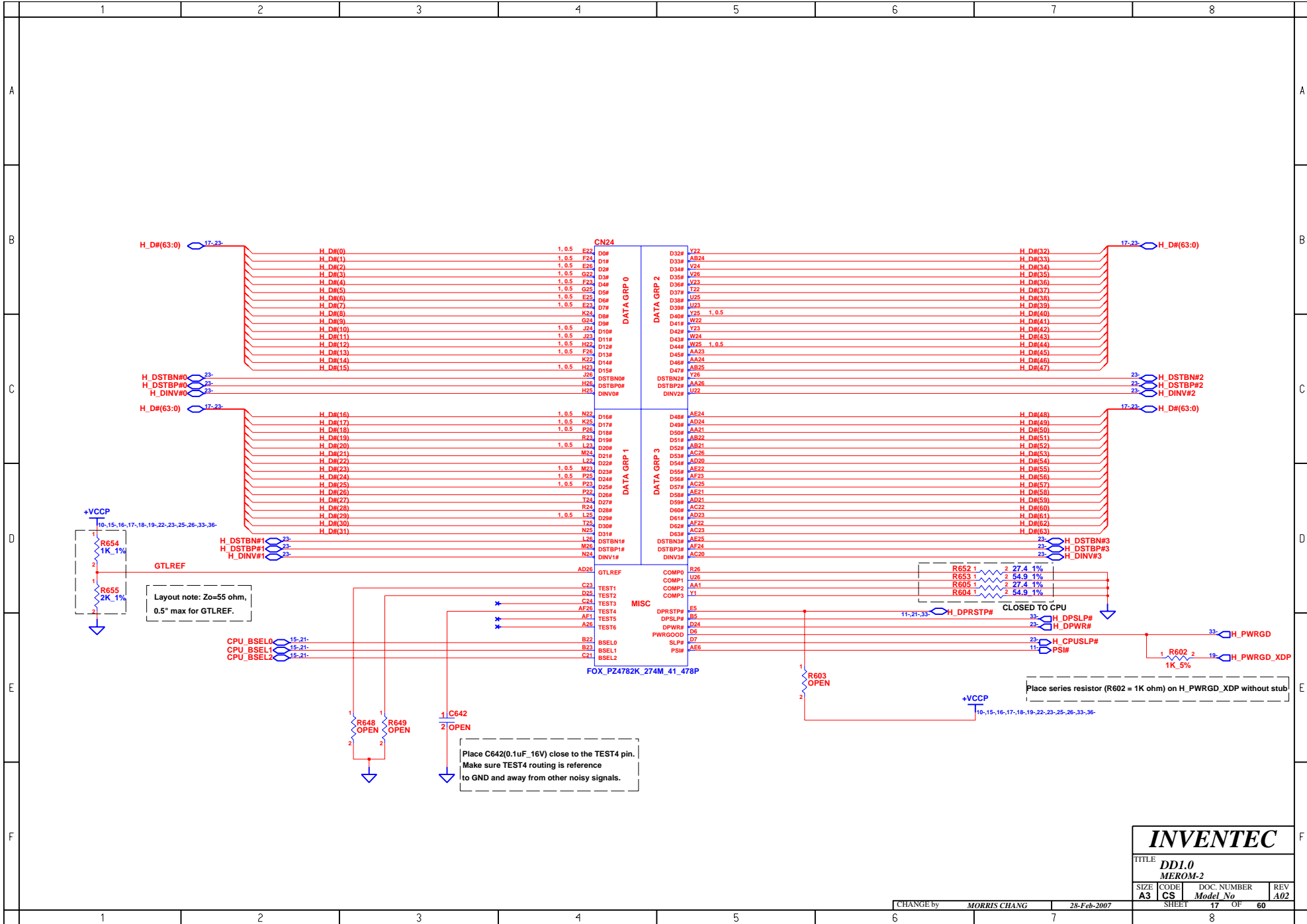
TITLE: **DDI.0 CLOCK GENERATOR**

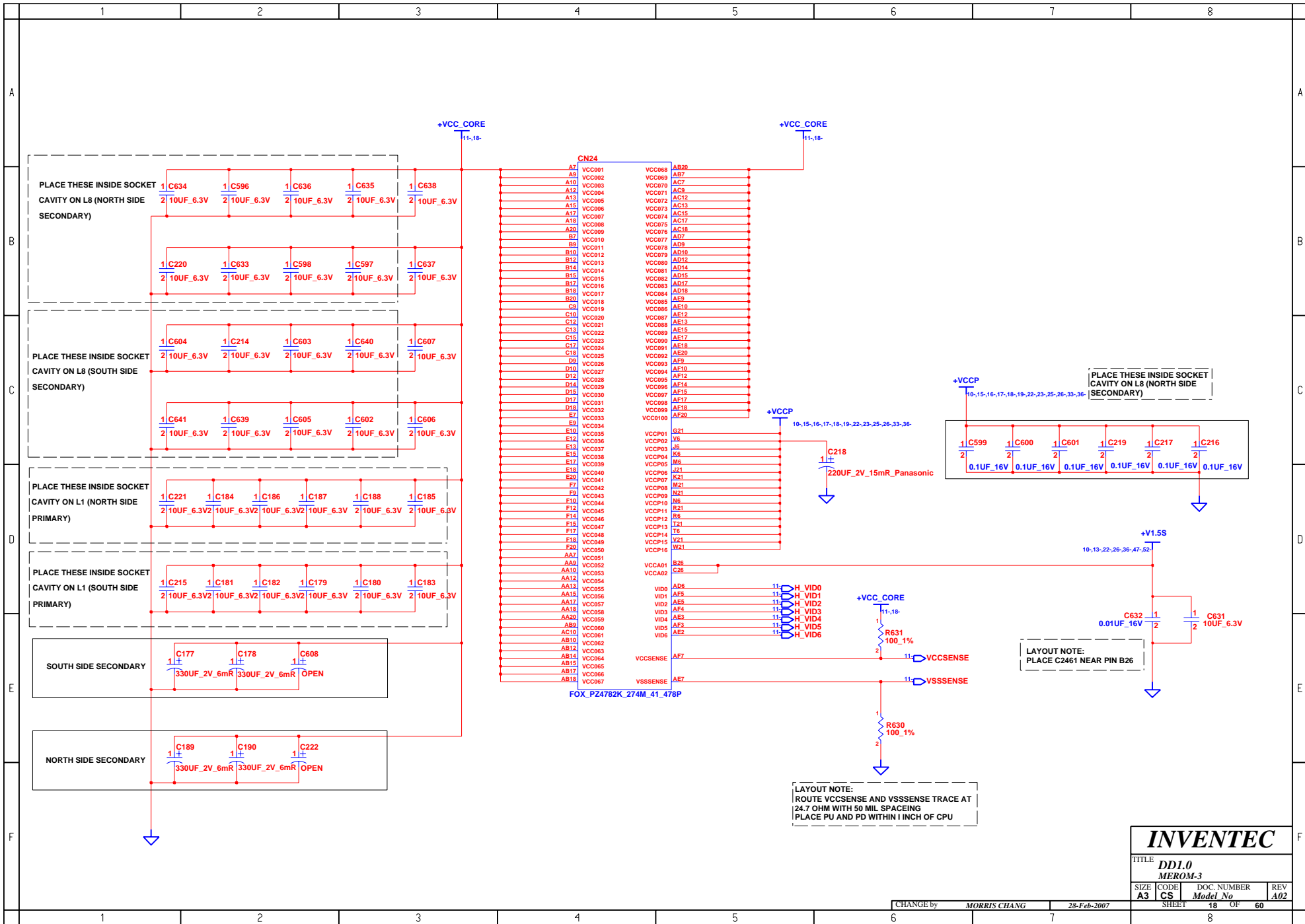
SIZE	CODE	DOC. NUMBER	REV
A3	CS	Model No	A02

SHEET 15 OF 60

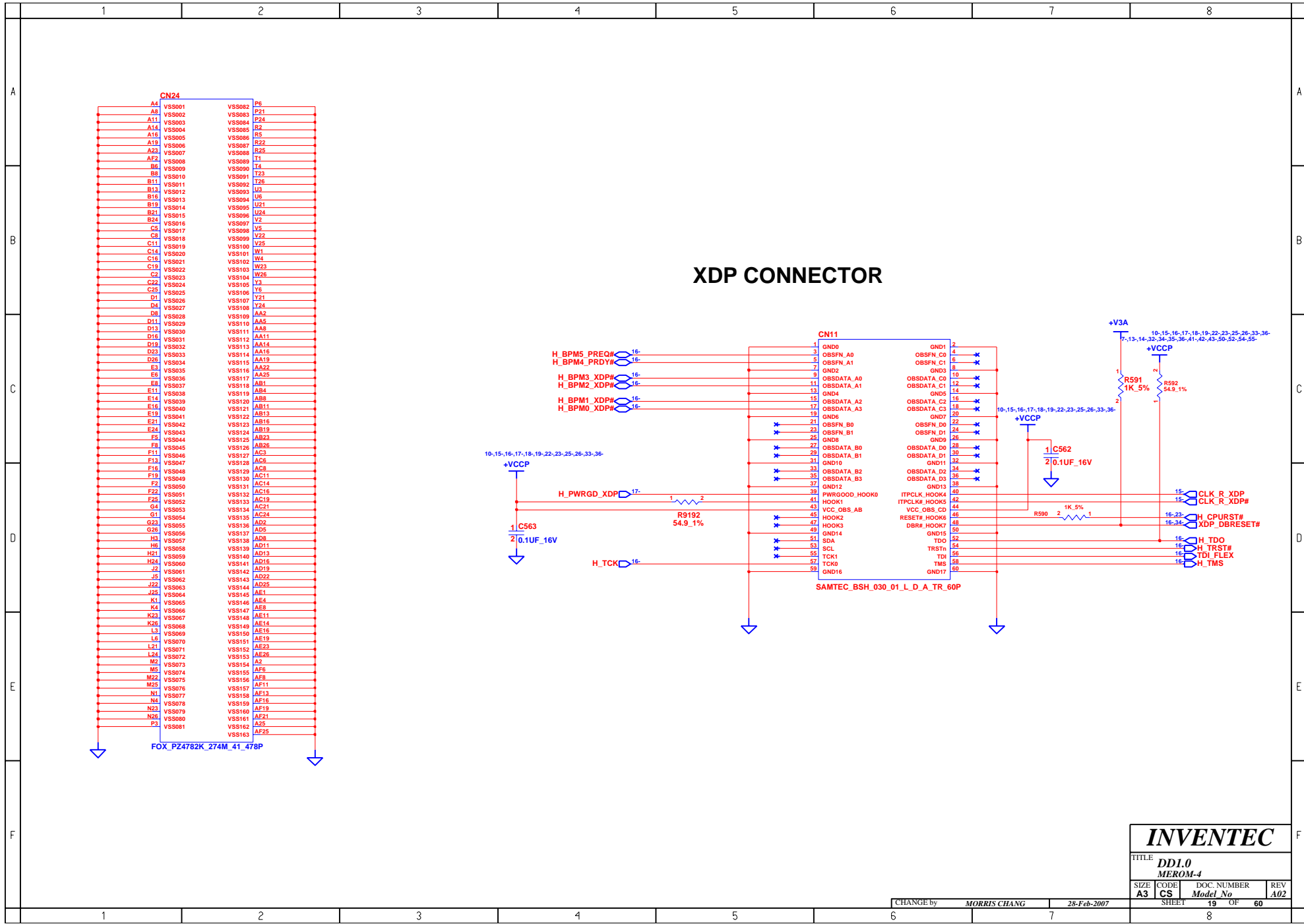


INVENTEC			
TITLE DD1.0 MEROM-1			
SIZE A3	CODE CS	DOC. NUMBER <i>Model No</i>	REV A02

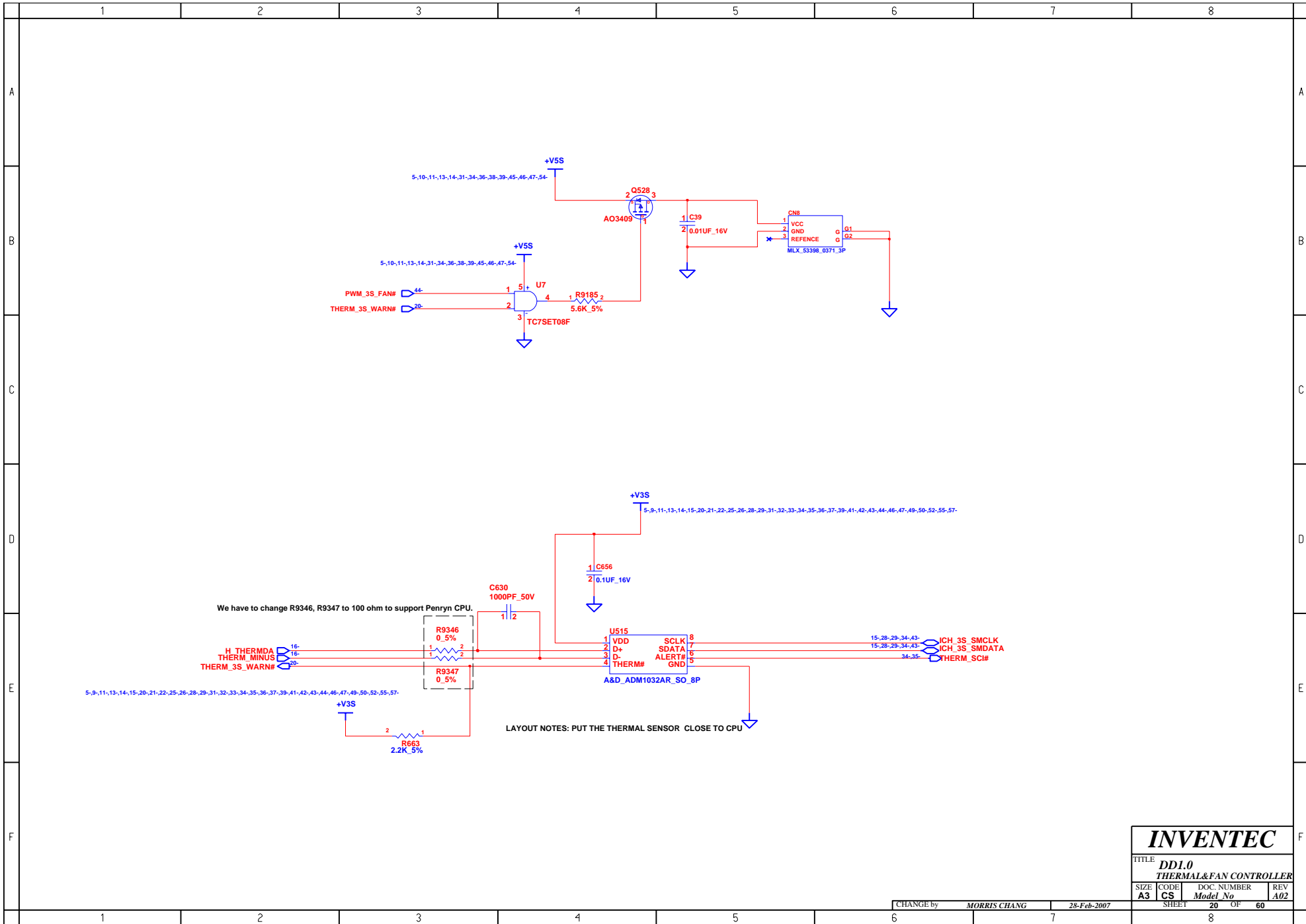




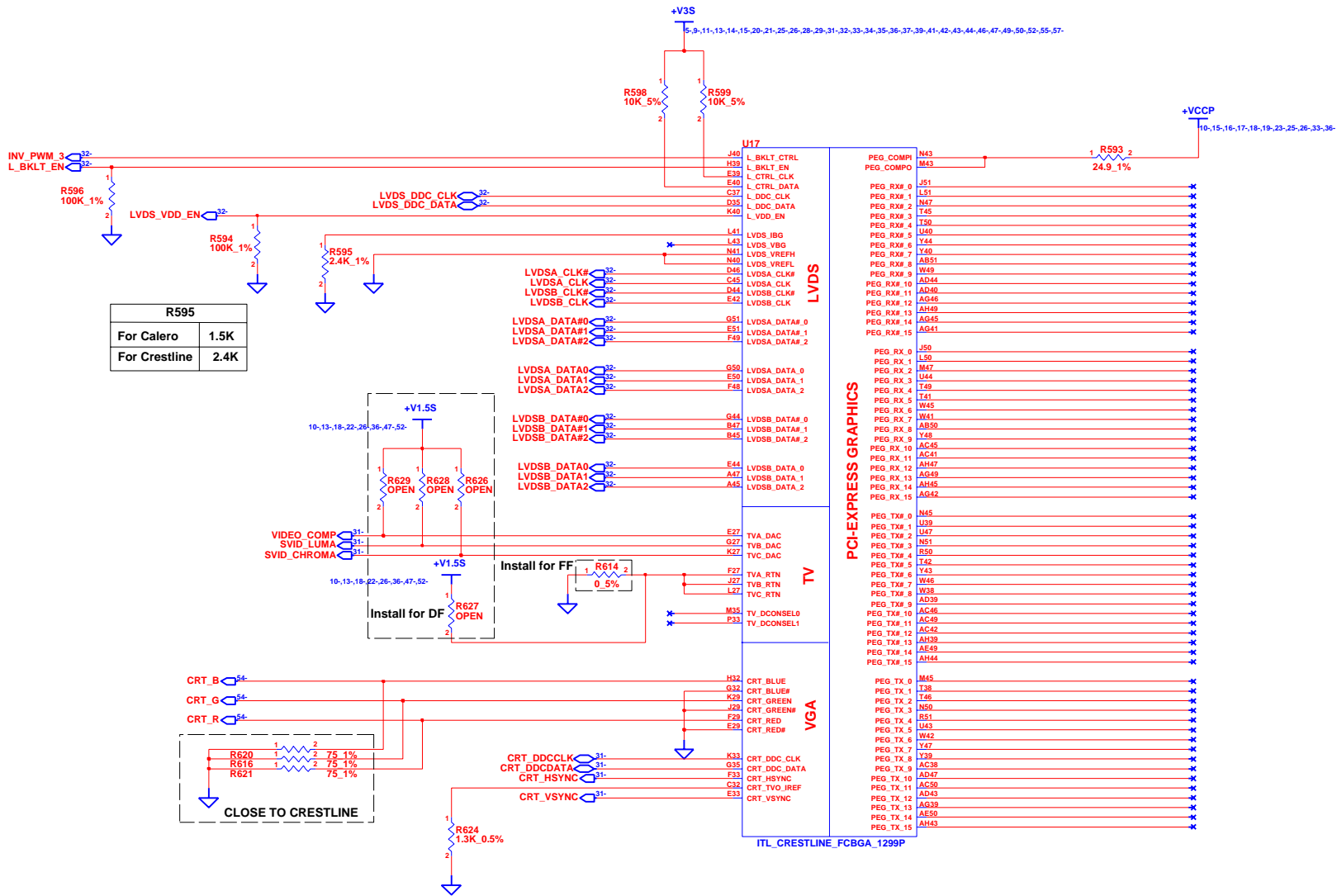
INVENTEC			
TITLE			
DDI.0 MEROM-3			
SIZE	CODE	DOC. NUMBER	REV
A3	CS	Model No	A02
CHANGE by MORRIS CHANG 28-Feb-2007			SHEET 18 OF 60



INVENTEC			
TITLE DDI.0 MEROM-4			
SIZE	CODE	DOC. NUMBER	REV
A3	CS	Model No	A02
CHANGE by		MORRIS CHANG	28-Feb-2007
SHEET		19	OF 60



INVENTEC			
TITLE DD1.0 THERMAL&FAN CONTROLLER			
SIZE A3	CODE CS	DOC. NUMBER <i>Model No</i>	REV A02
CHANGE by <i>MORRIS CHANG</i>		28-Feb-2007	
SHEET 20		OF 60	



R595	
For Calero	1.5K
For Crestline	2.4K

R624	
For Calero	255 1%
For Crestline	1.3K 0.5%

PCI-EXPRESS GRAPHICS

LVDS

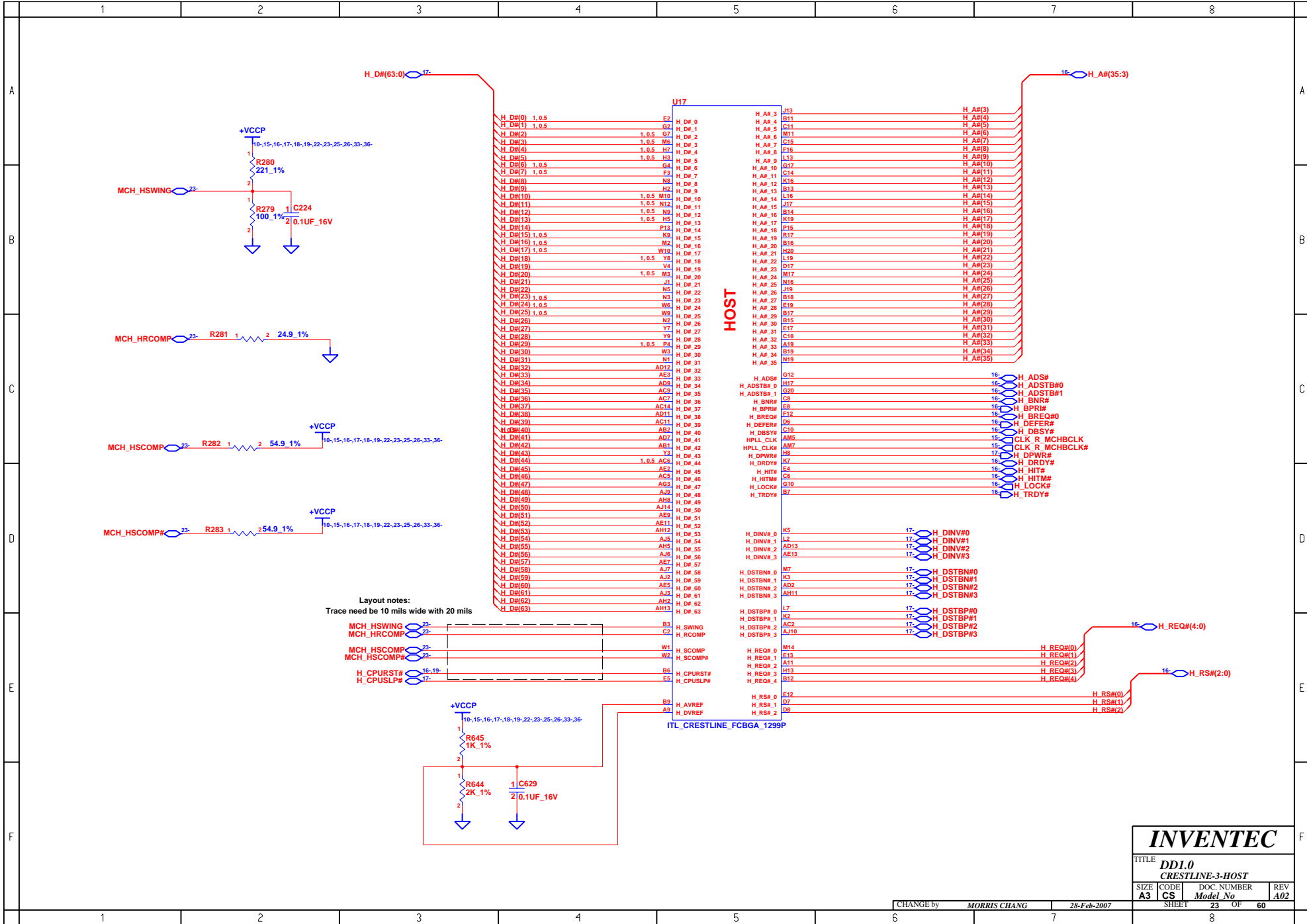
VGA

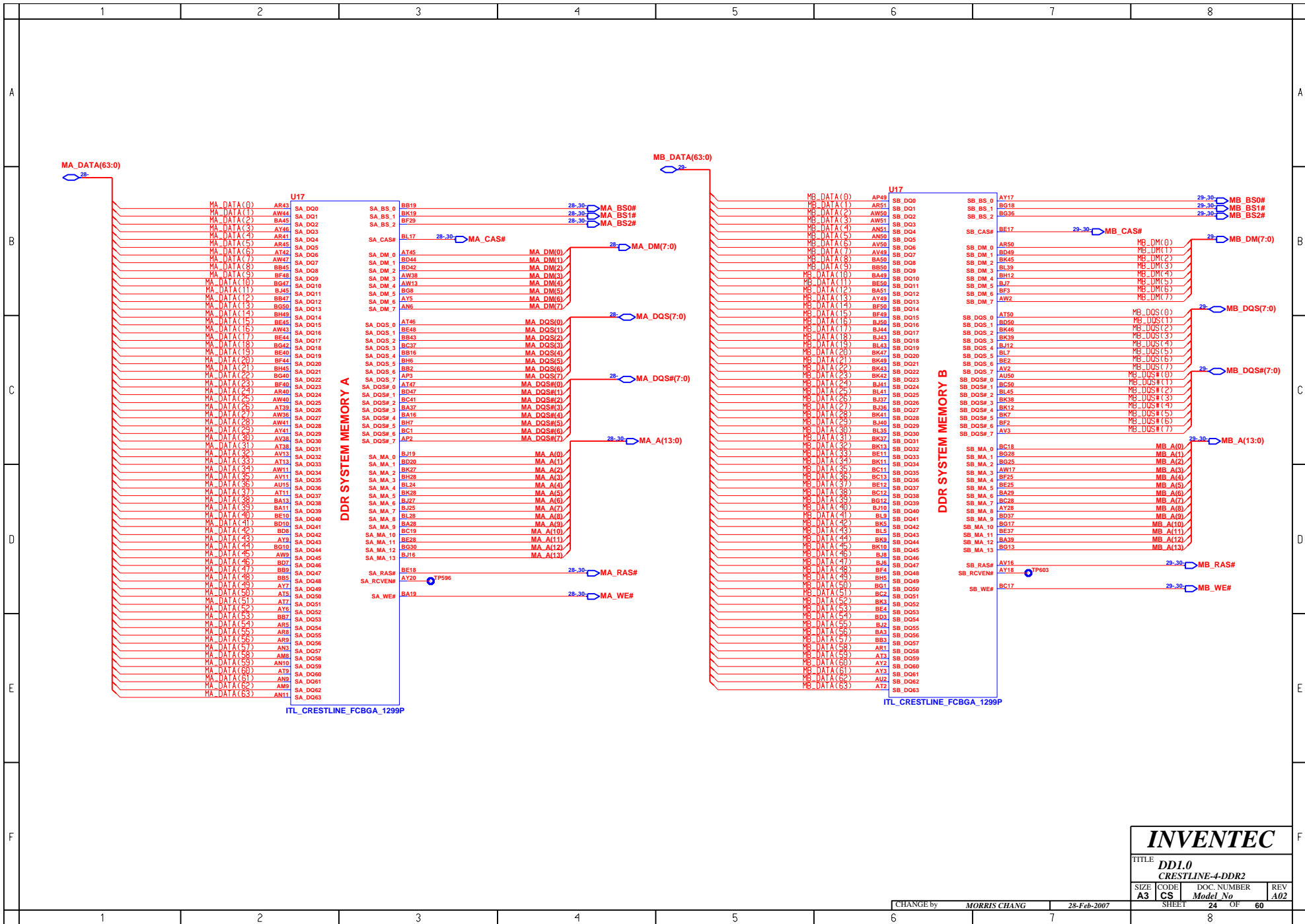
- PEG_COMPI N43
- PEG_COMPO M43
- PEG_RX#_0 J51
- PEG_RX#_1 L51
- PEG_RX#_2 N47
- PEG_RX#_3 T45
- PEG_RX#_4 T50
- PEG_RX#_5 U40
- PEG_RX#_6 Y48
- PEG_RX#_7 Y40
- PEG_RX#_8 AB51
- PEG_RX#_9 W49
- PEG_RX#_10 AD44
- PEG_RX#_11 AD40
- PEG_RX#_12 AG46
- PEG_RX#_13 AH49
- PEG_RX#_14 AG45
- PEG_RX#_15 AG41
- PEG_RX_0 J50
- PEG_RX_1 L50
- PEG_RX_2 M47
- PEG_RX_3 U44
- PEG_RX_4 T49
- PEG_RX_5 T41
- PEG_RX_6 W45
- PEG_RX_7 W41
- PEG_RX_8 AB50
- PEG_RX_9 Y49
- PEG_RX_10 AC45
- PEG_RX_11 AC41
- PEG_RX_12 AH47
- PEG_RX_13 AG49
- PEG_RX_14 AH45
- PEG_RX_15 AG42
- PEG_TX#_0 N45
- PEG_TX#_1 U39
- PEG_TX#_2 U47
- PEG_TX#_3 N51
- PEG_TX#_4 R50
- PEG_TX#_5 T42
- PEG_TX#_6 Y43
- PEG_TX#_7 W46
- PEG_TX#_8 W38
- PEG_TX#_9 AD39
- PEG_TX#_10 AC46
- PEG_TX#_11 AC40
- PEG_TX#_12 AC42
- PEG_TX#_13 AH39
- PEG_TX#_14 AE49
- PEG_TX#_15 AH44
- PEG_TX_0 M45
- PEG_TX_1 T38
- PEG_TX_2 T46
- PEG_TX_3 N50
- PEG_TX_4 R51
- PEG_TX_5 U43
- PEG_TX_6 W42
- PEG_TX_7 Y47
- PEG_TX_8 Y39
- PEG_TX_9 AC38
- PEG_TX_10 AD47
- PEG_TX_11 AC50
- PEG_TX_12 AD43
- PEG_TX_13 AC39
- PEG_TX_14 AE50
- PEG_TX_15 AH43

INVENTEC

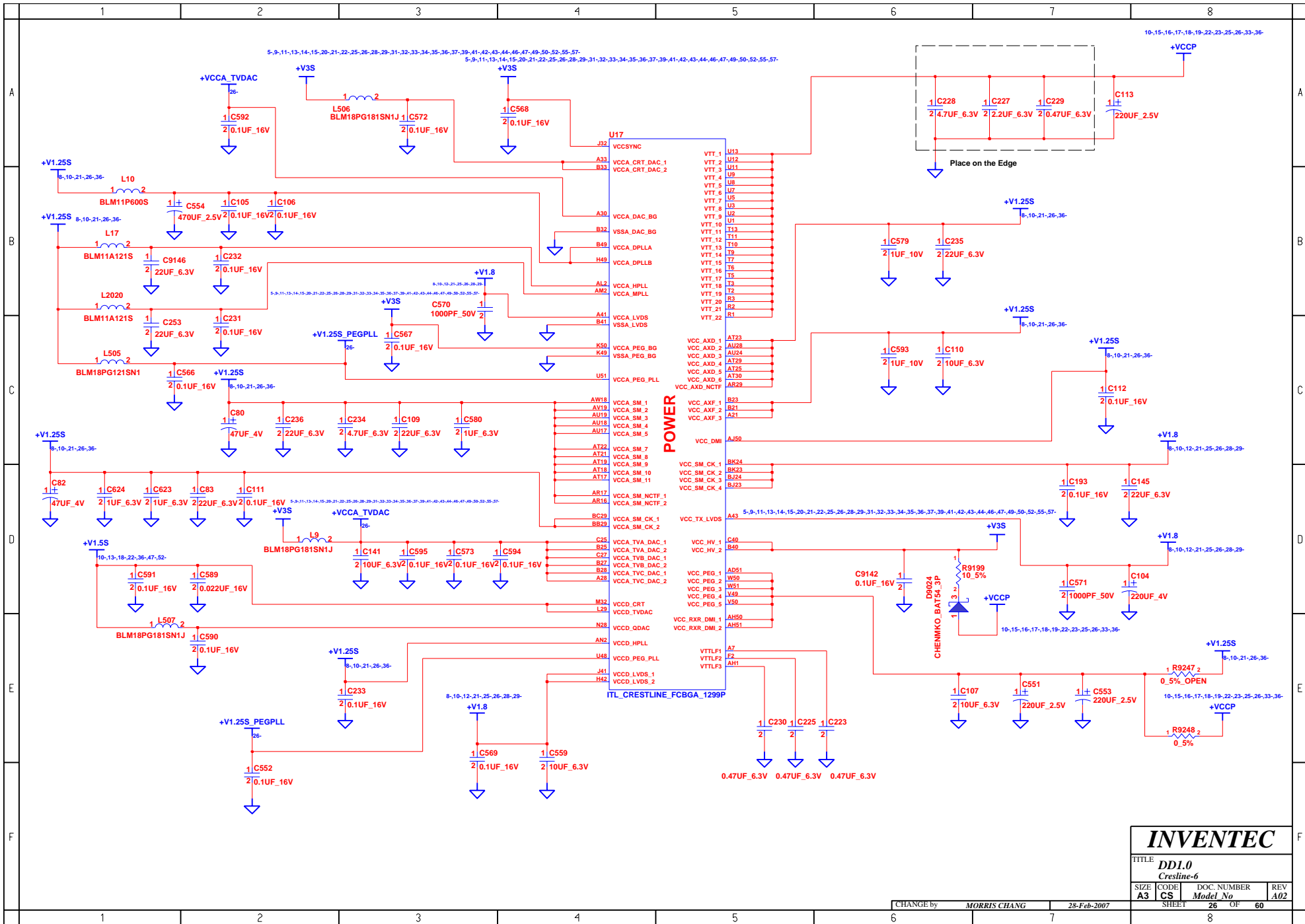
TITLE			
DD1.0			
Crestline-2			
SIZE	CODE	DOC. NUMBER	REV
A3	CS	Model No	A02

CHANGE by MORRIS CHANG 28-Feb-2007

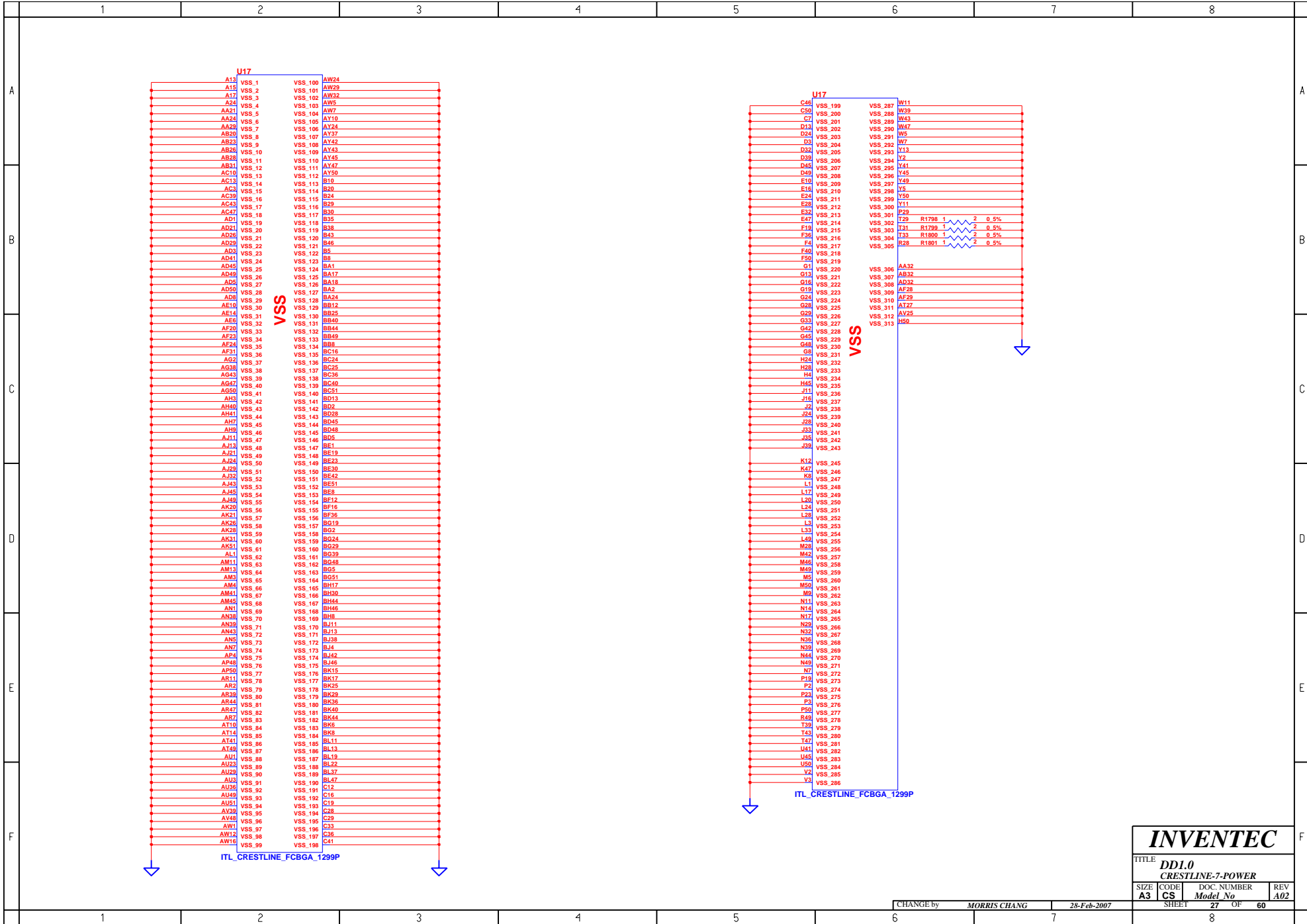


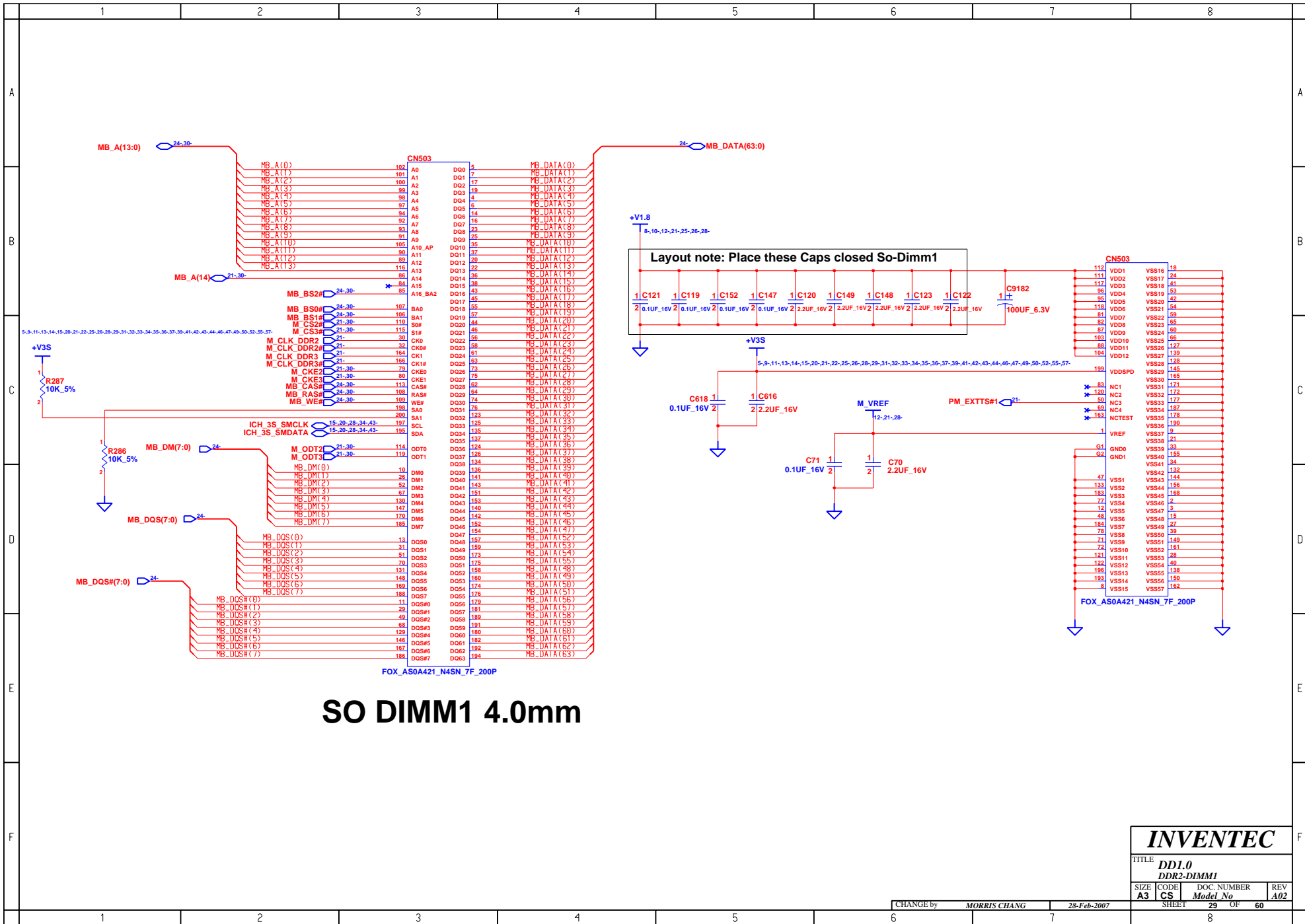


INVENTEC			
TITLE			
DD1.0 CRESTLINE-4-DDR2			
SIZE	CODE	DOC. NUMBER	REV
A3	CS	Model No	A02
CHANGE by		MORRIS CHANG	28-Feb-2007
SHEET		24	OF 60



INVENTEC			
TITLE DDI.0 Crestline-6			
SIZE A3	CODE CS	DOC. NUMBER Model No	REV A02
CHANGE by MORRIS CHANG		28-Feb-2007	
SHEET 26		OF 60	





INVENTEC			
TITLE: DD1.0			
DDR2-DIMM1			
SIZE	CODE	DOC. NUMBER	REV
A3	CS	<i>Model No</i>	A02
CHANGE by: MORRIS CHANG		28-Feb-2007	
SHEET 29		OF 60	



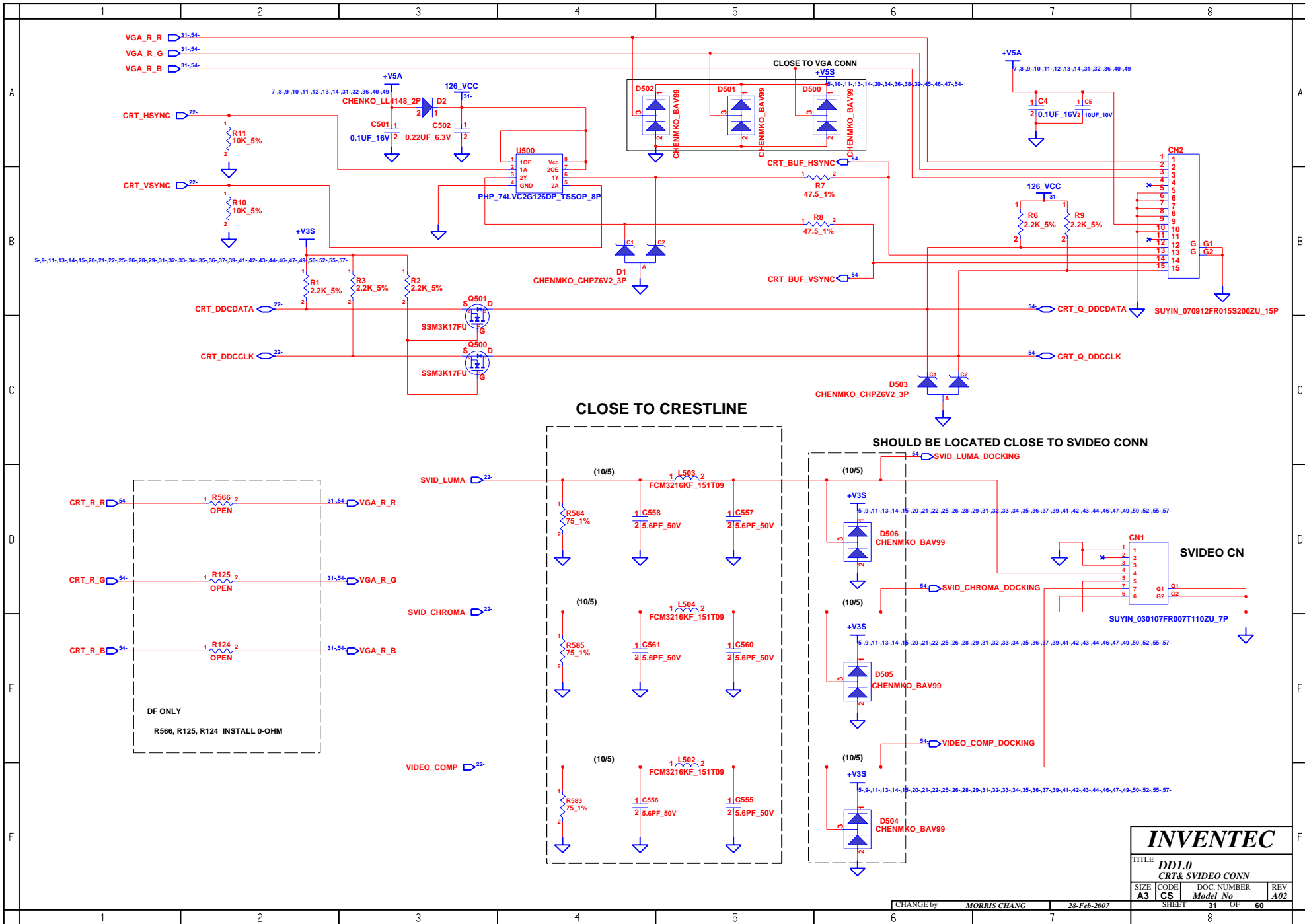
LAYOUT NOTES : PLACE ONE CAP CLOSE TO EVERY 2 PULL UP RESISTOR TERMINATED TO +V0.9S

INVENTEC

TITLE			
DDR1.0			
DDR2-DAMPING			
SIZE	CODE	DOC. NUMBER	REV
A3	CS	Model No	A02

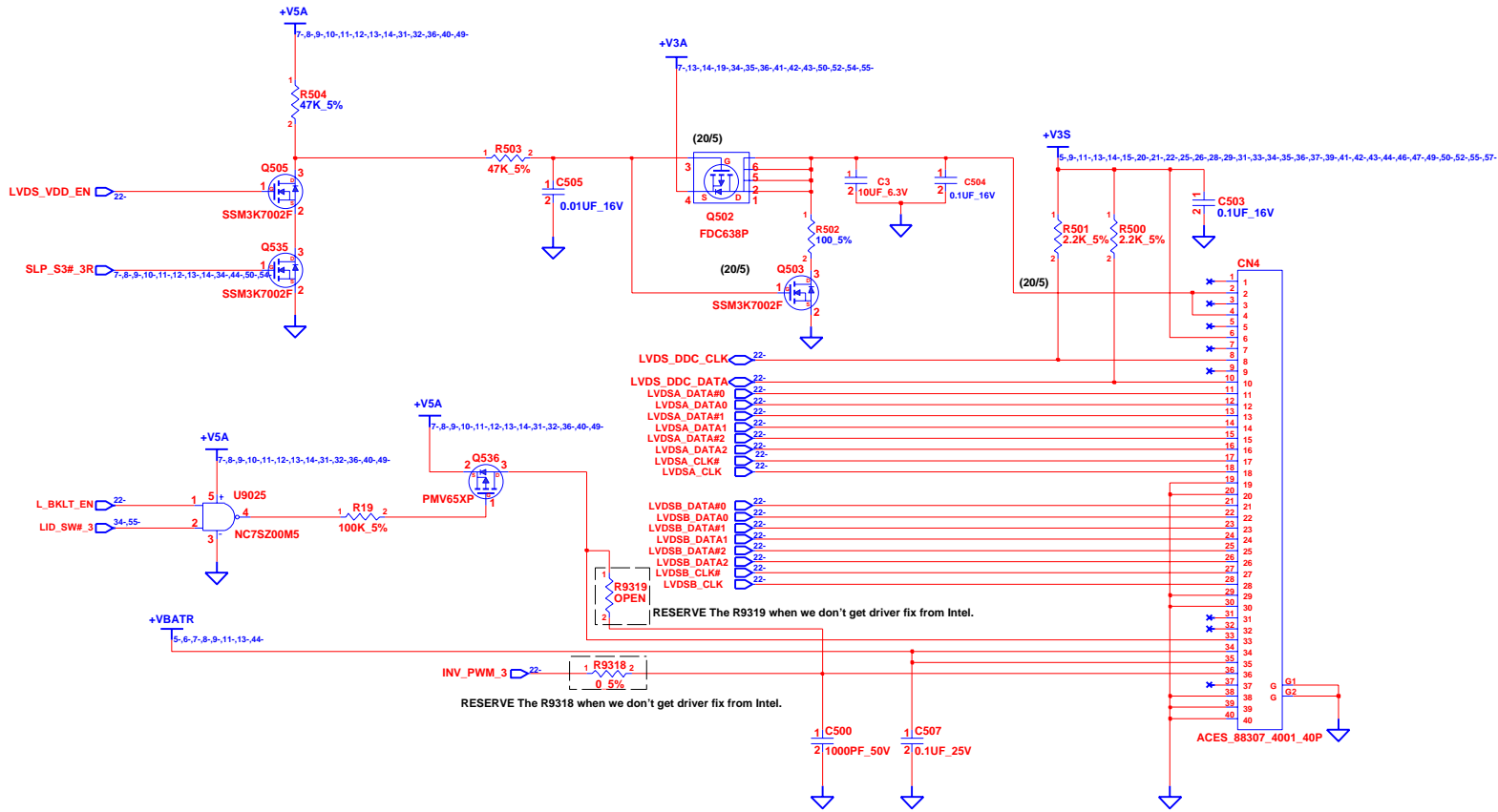
CHANGE by MORRIS CHANG 27-Sep-2003

SHEET 30 OF 60



INVENTEC			
TITLE DD1.0 CRT & SVIDEO CONN			
SIZE A3	CODE CS	DOC. NUMBER <i>Model No.</i>	REV A02
CHANGE by <i>MORRIS CHANG</i>		28-Feb-2007	
SHEET 31		OF 60	

Place closed to connector

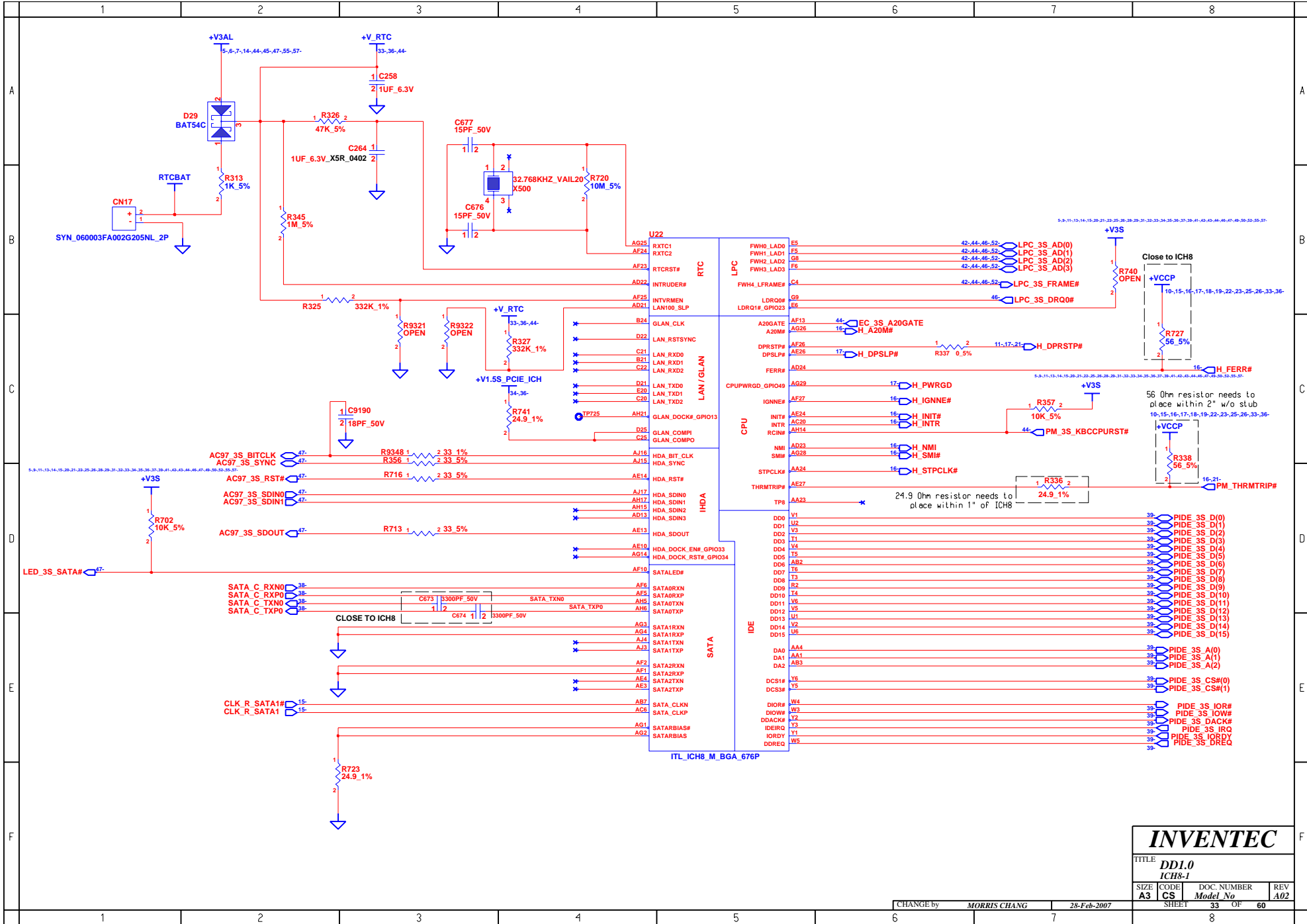


INVENTEC

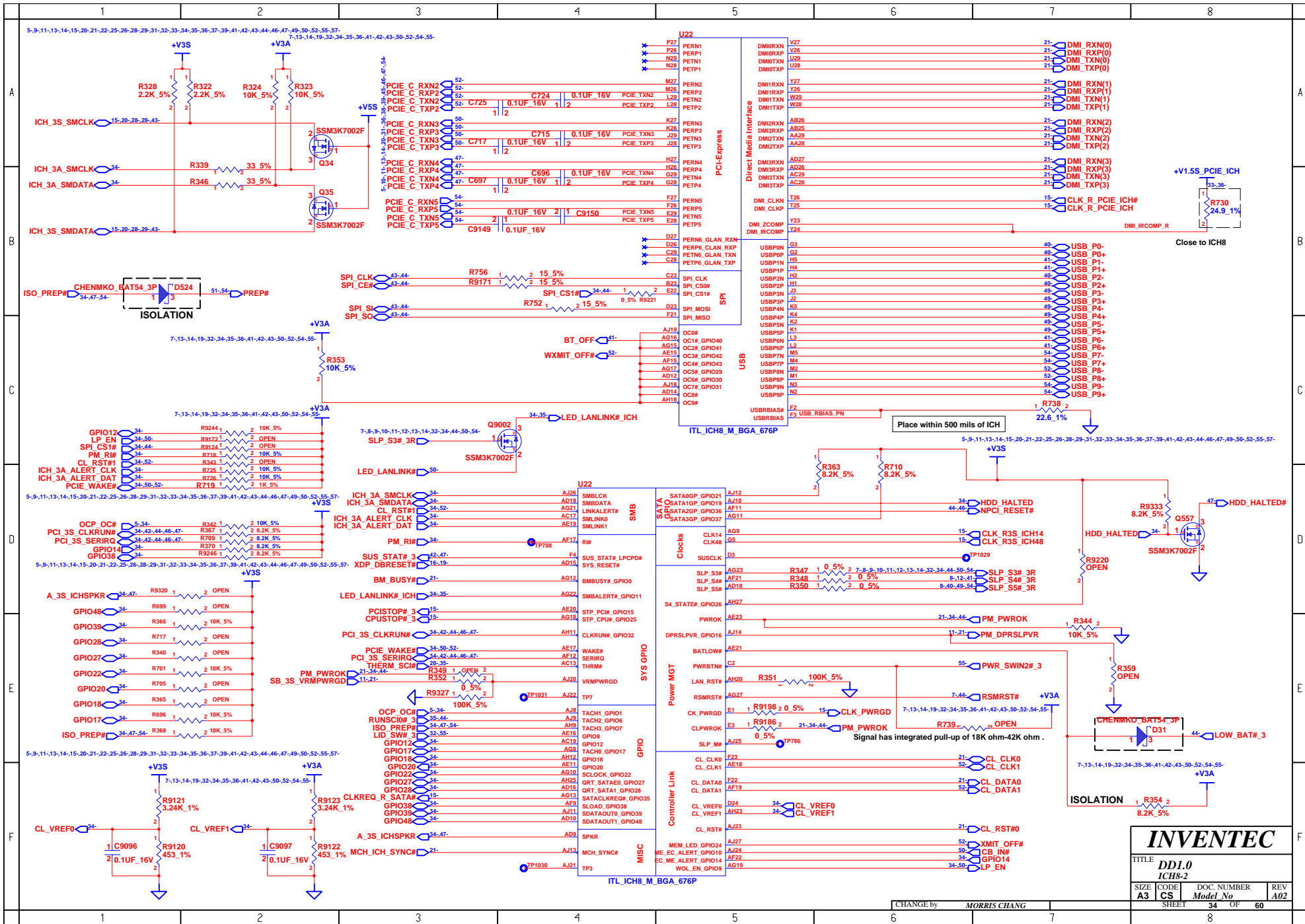
TITLE
DDI.0
LCD CONN

SIZE A3	CODE CS	DOC. NUMBER <i>Model No</i>	REV A02
-------------------	-------------------	--------------------------------	-------------------

CHANGE by *MORRIS CHANG* 28-Feb-2007 SHEET 32 OF 60



INVENTEC			
TITLE DD1.0 ICH8-1			
SIZE A3	CODE CS	DOC. NUMBER <i>Model No</i>	REV A02

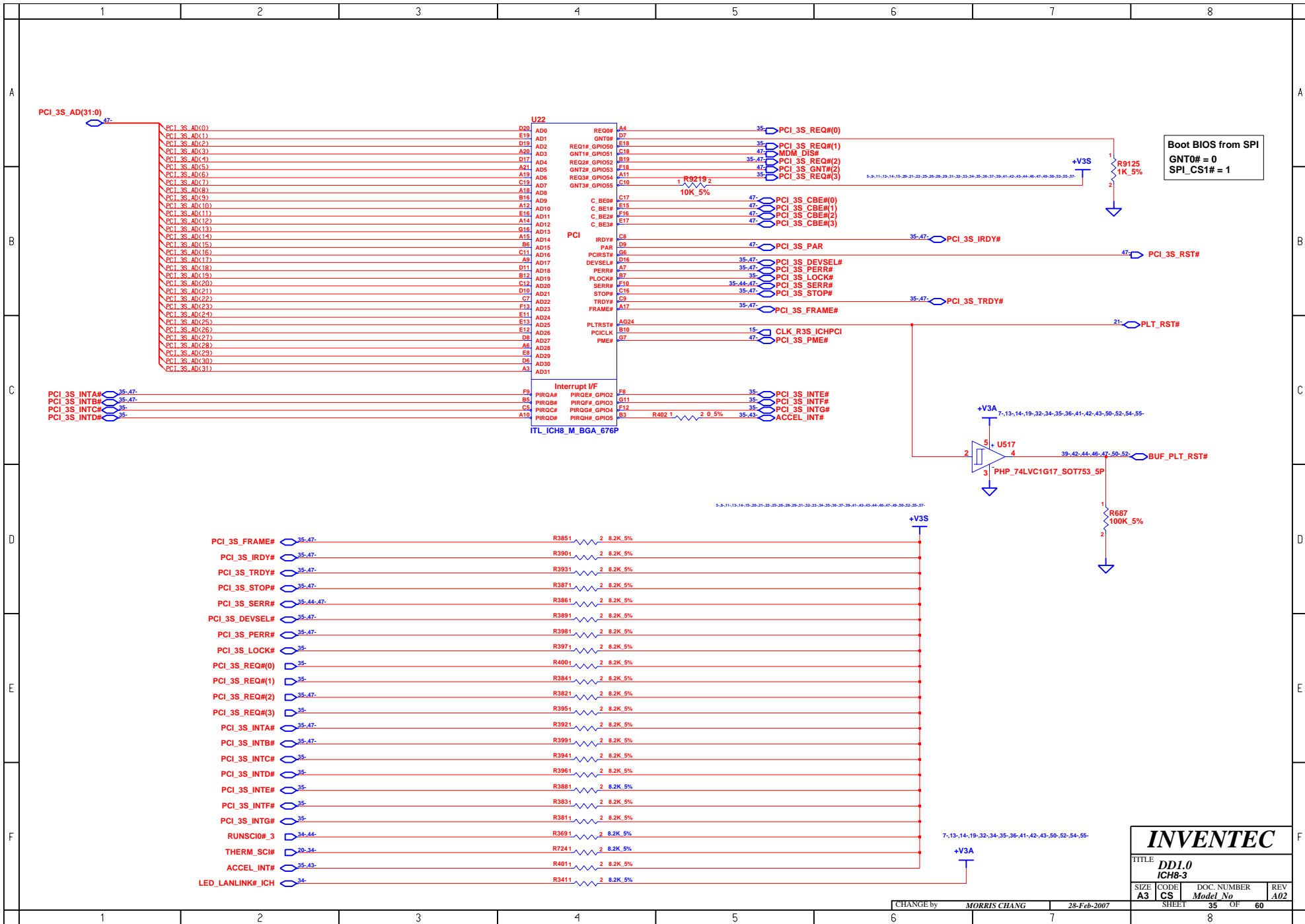


INVENTEC

TITLE
DDI.0
ICH8-2

SIZE	CODE	DOC. NUMBER	REV
A3	CS	Model No	A02
SHEET		34	OF 60

CHANGE by MORRIS CHANG



Boot BIOS from SPI
 GNT0# = 0
 SPI_CS1# = 1

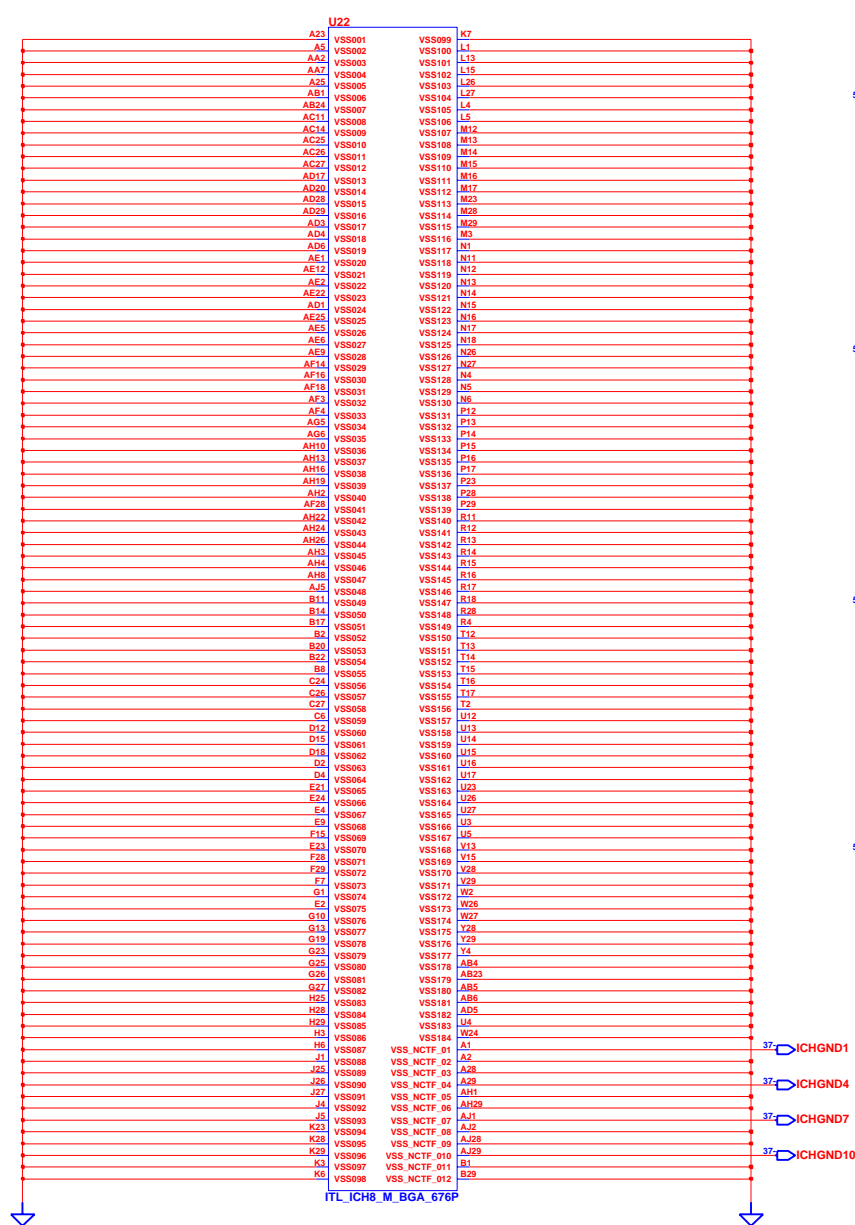
INVENTEC

TITLE
DD1.0
ICH8-3

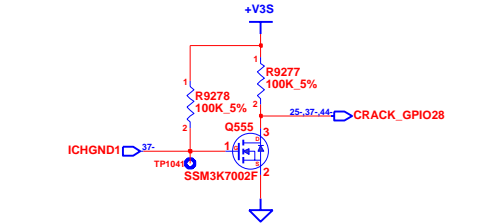
SIZE	CODE	DOC. NUMBER	REV
A3	CS	Model No	A02

CHANGE by MORRIS CHANG 28-Feb-2007

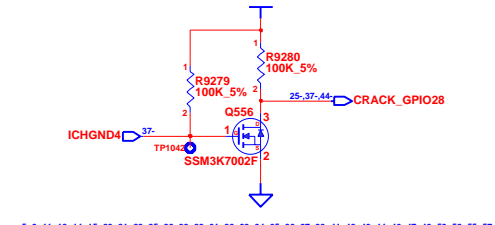
SHEET 35 OF 60



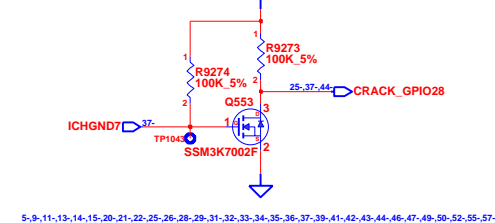
5-9,11,13,14,15,20-21,22-25,26-28-29-31-32,33-34,35-36,37,39-41,42,43,44,46-47,49,50,52,55-57



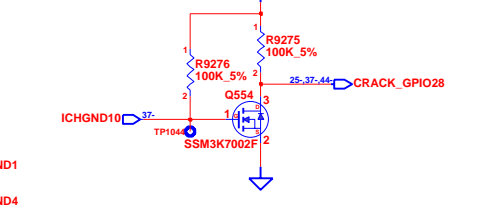
5-9,11,13,14,15,20-21,22-25,26-28-29-31-32,33-34,35-36,37,39-41,42,43,44,46-47,49,50,52,55-57

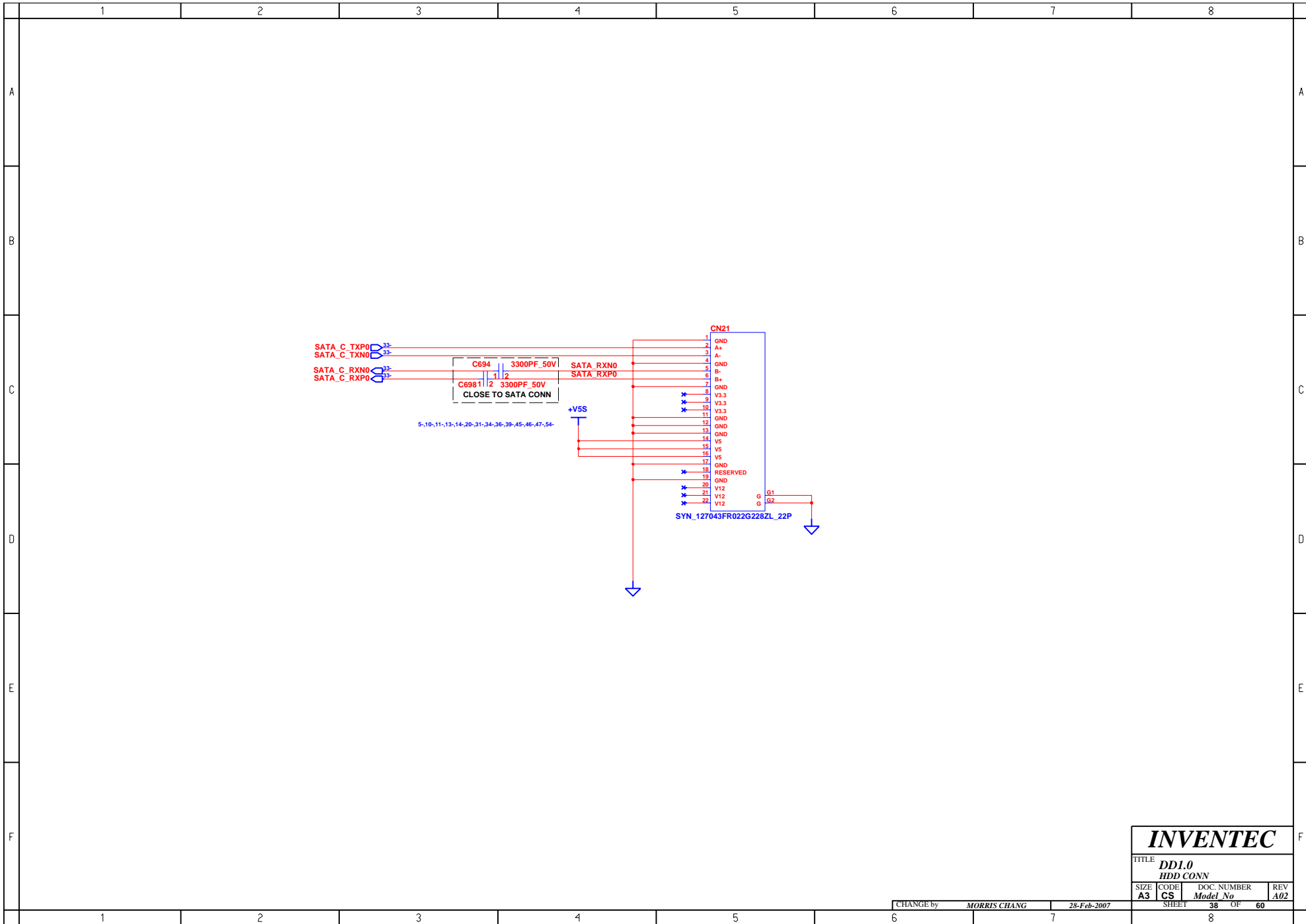


5-9,11,13,14,15,20-21,22-25,26-28-29-31-32,33-34,35-36,37,39-41,42,43,44,46-47,49,50,52,55-57



5-9,11,13,14,15,20-21,22-25,26-28-29-31-32,33-34,35-36,37,39-41,42,43,44,46-47,49,50,52,55-57





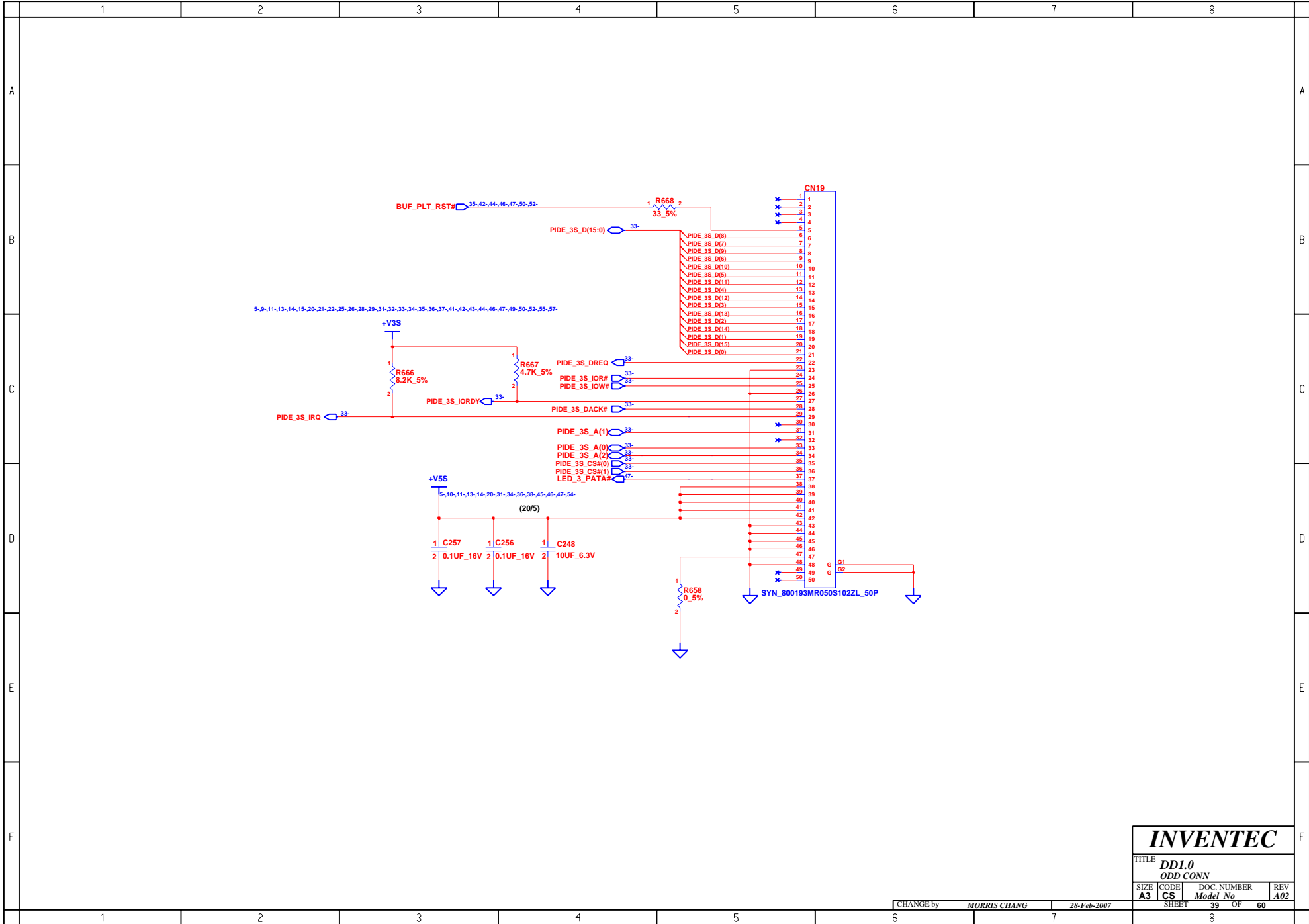
INVENTEC

TITLE
**DD1.0
 HDD CONN**

SIZE CODE DOC. NUMBER REV
A3 CS Model No A02

CHANGE by **MORRIS CHANG** 28-Feb-2007

SHEET **38** OF **60**

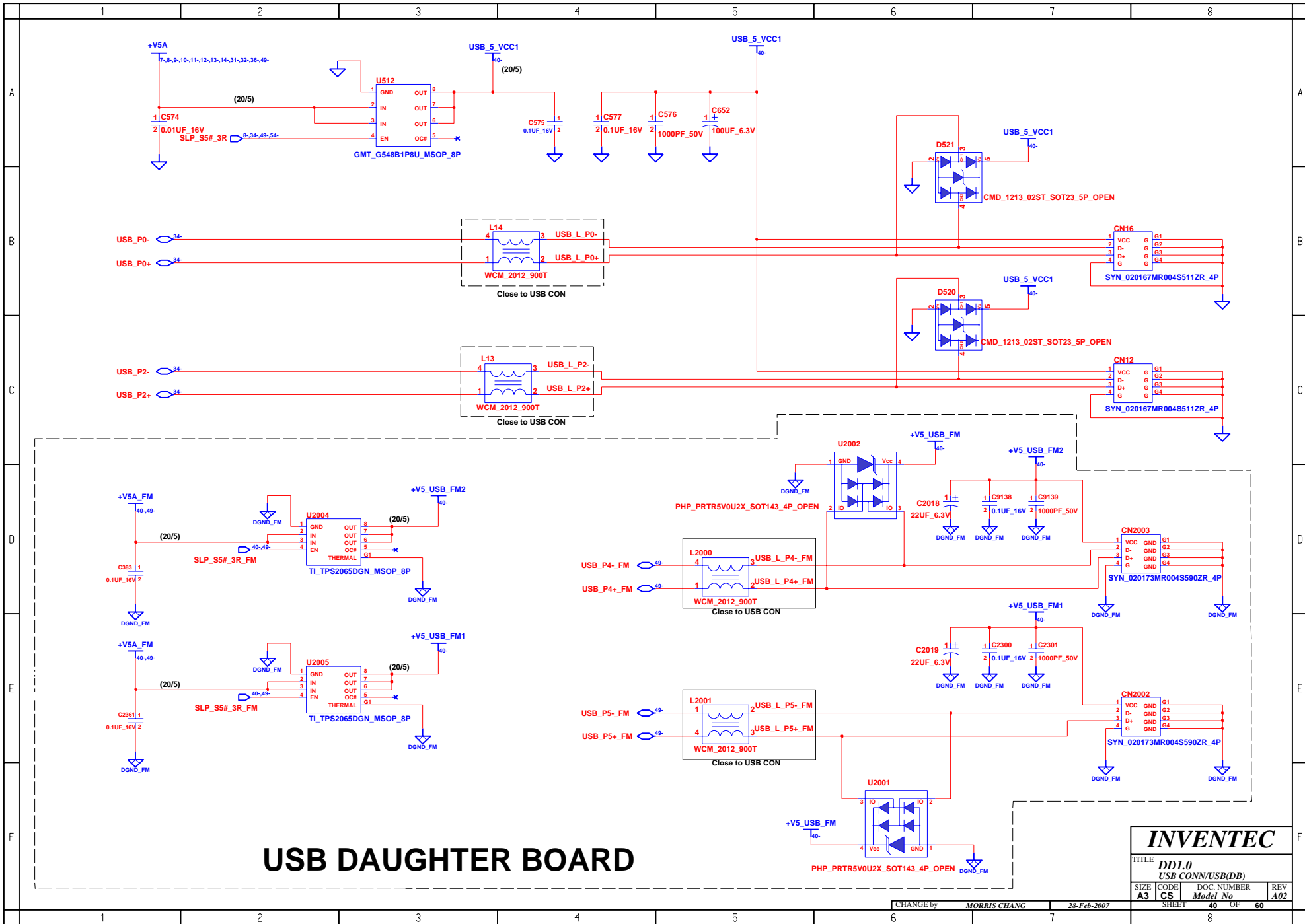


INVENTEC

TITLE			
DDI.0			
ODD CONN			
SIZE	CODE	DOC. NUMBER	REV
A3	CS	Model No	A02

CHANGE by MORRIS CHANG 28-Feb-2007

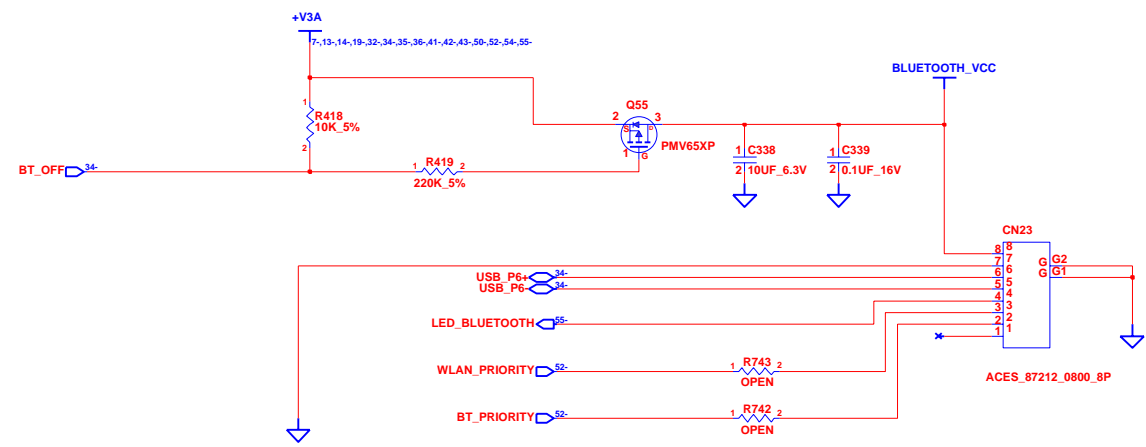
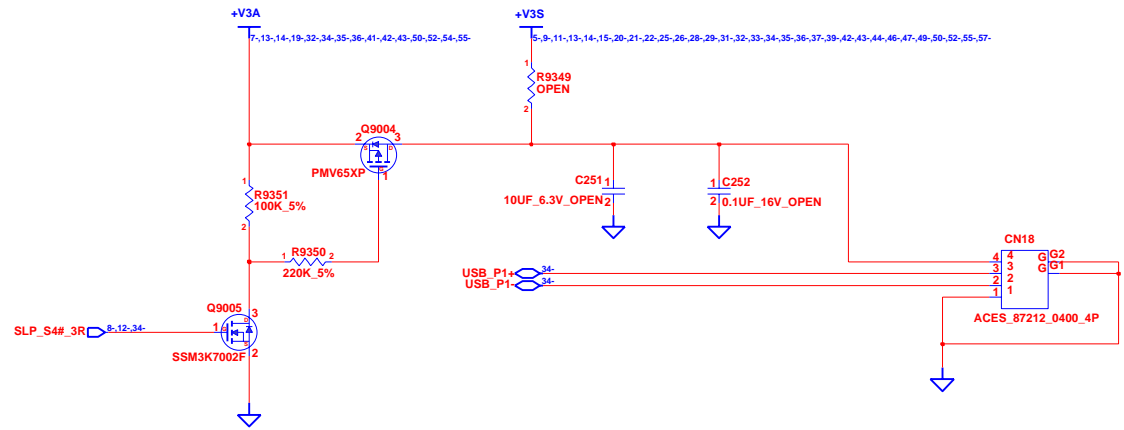
SHEET 39 OF 60



USB DAUGHTER BOARD

INVENTEC

TITLE			
DD1.0			
USB CONN/USB(DB)			
SIZE	CODE	DOC. NUMBER	REV
A3	CS	Model No	A02
CHANGE by			SHEET
MORRIS CHANG			40 OF 60
28-Feb-2007			

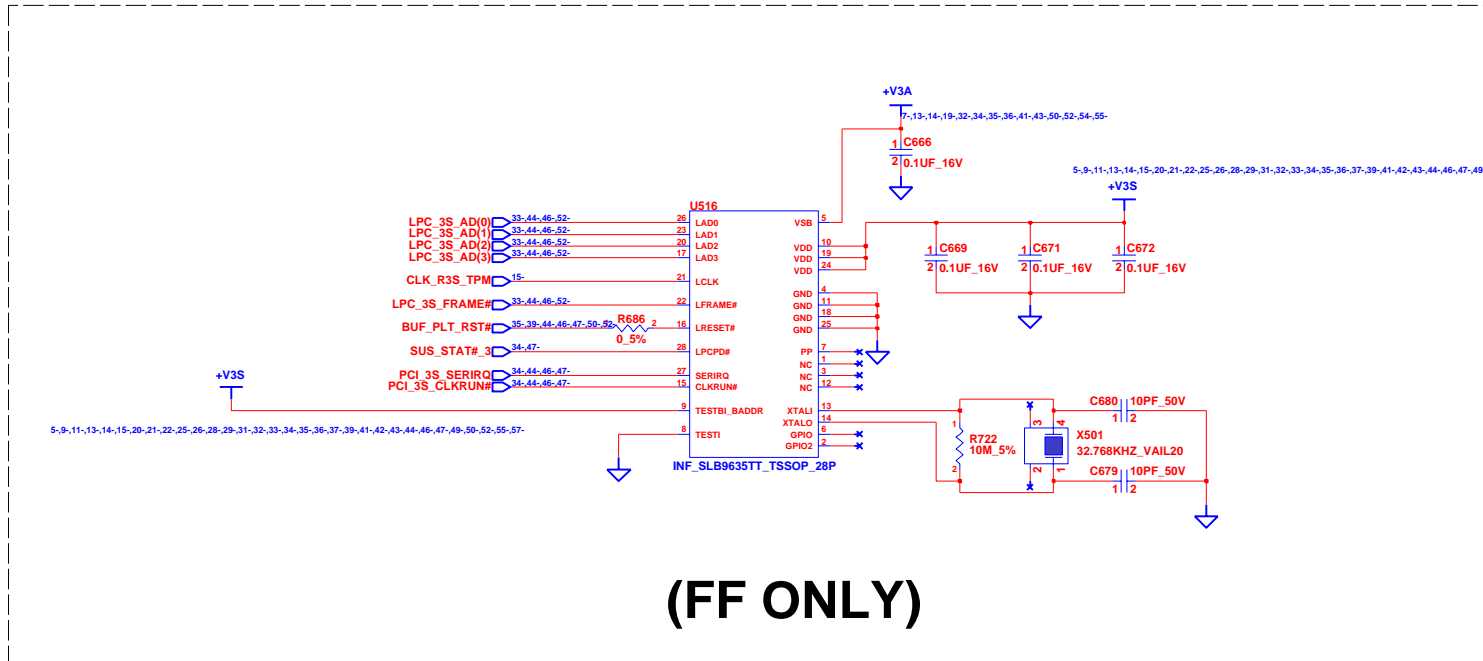


INVENTEC

TITLE
DD1.0
 Finger Printer & BlueTooth

SIZE A3	CODE CS	DOC. NUMBER Model No	REV A02
-------------------	-------------------	-------------------------	-------------------

CHANGE by **MORRIS CHANG** 28-Feb-2007



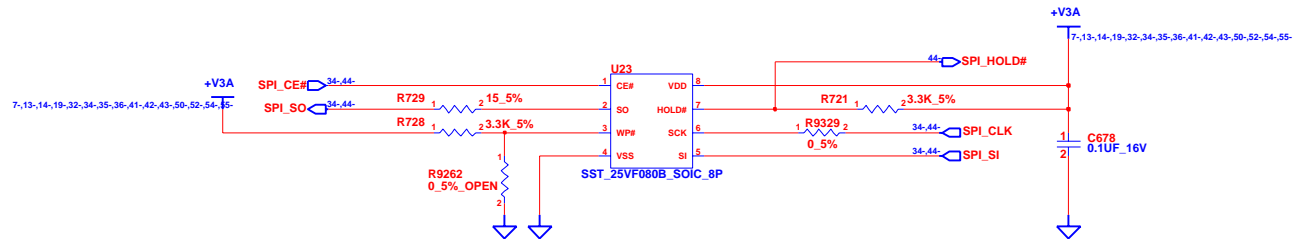
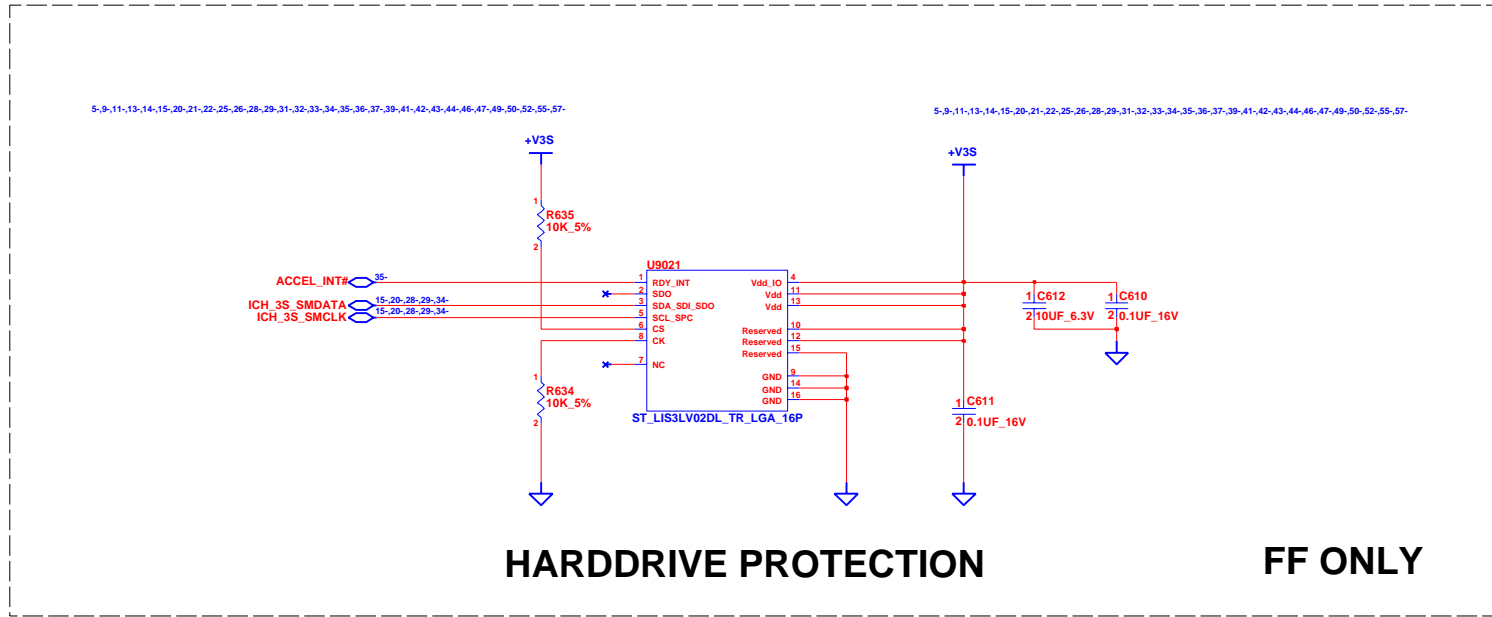
(FF ONLY)

INVENTEC

TITLE			
DD1.0			
TPM V1.2			
SIZE	CODE	DOC. NUMBER	REV
A3	CS	Model No	A02

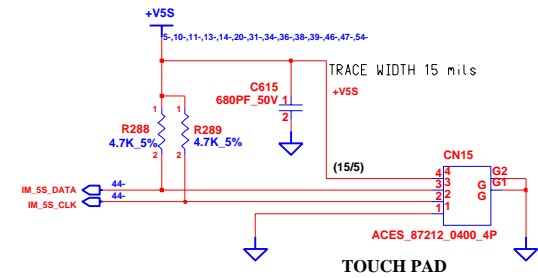
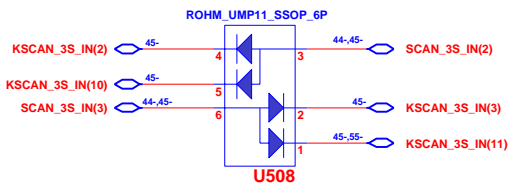
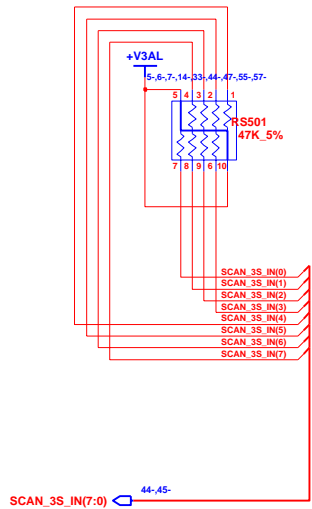
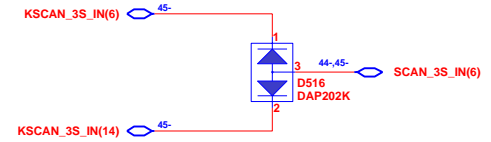
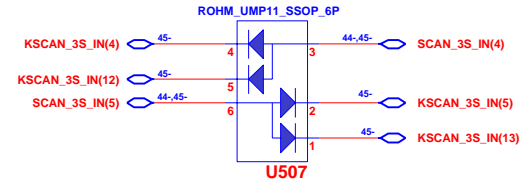
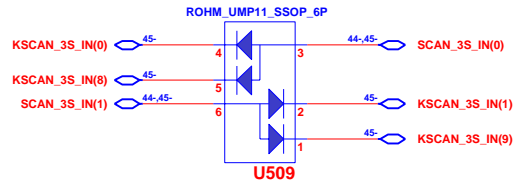
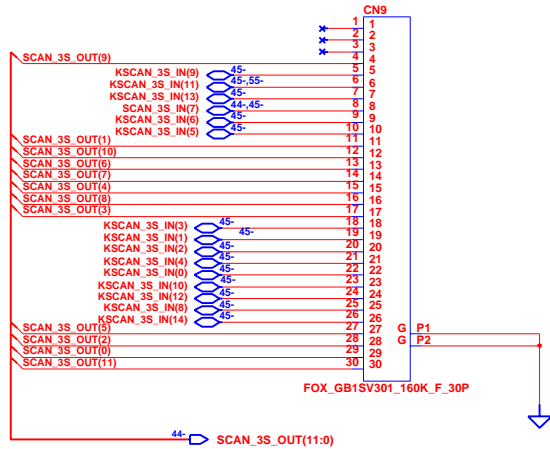
CHANGE by MORRIS CHANG 28-Feb-2007

SHEET 42 OF 60



INVENTEC

TITLE			
DD1.0			
SPI/HDD PROTECTION			
SIZE	CODE	DOC. NUMBER	REV
A3	CS	Model No	A02
CHANGE by		MORRIS CHANG	28-Feb-2007
SHEET		43	OF 60

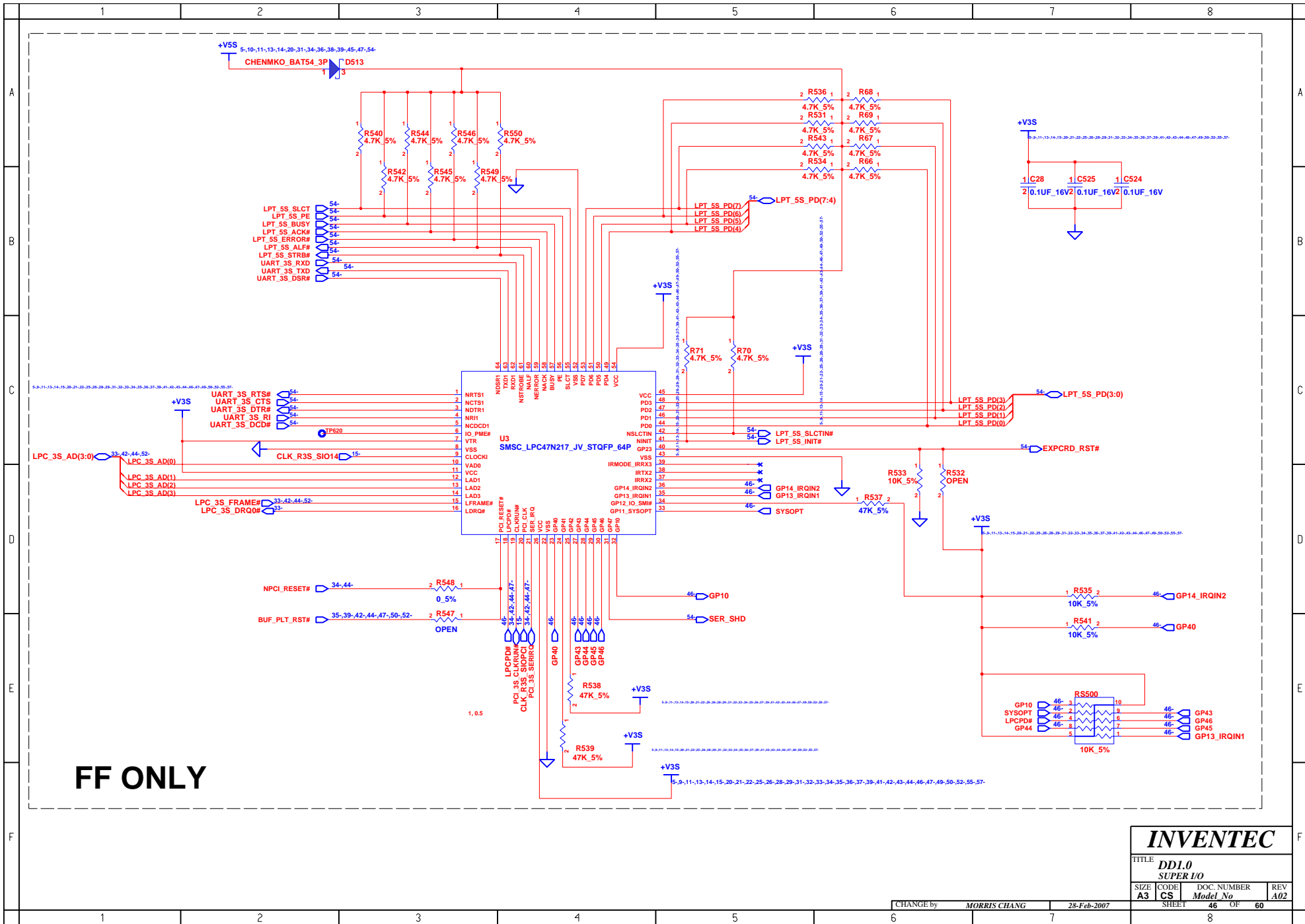


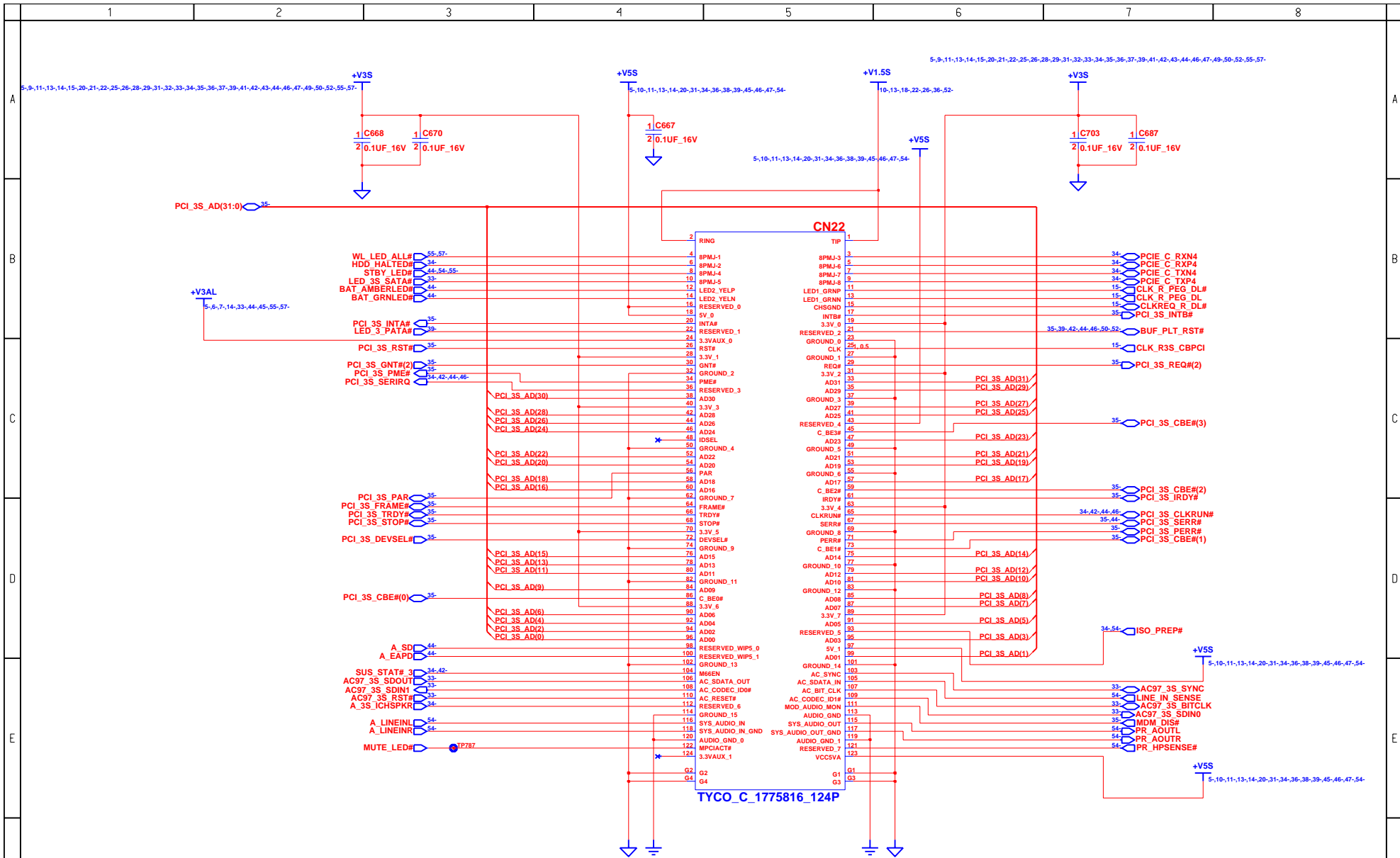
INVENTEC

TITLE			
DD1.0			
INT.KBC/POINT DEVICES			
SIZE	CODE	DOC. NUMBER	REV
A3	CS	Model No	A02

CHANGE by MORRIS CHANG 28-Feb-2007

SHEET 45 OF 60





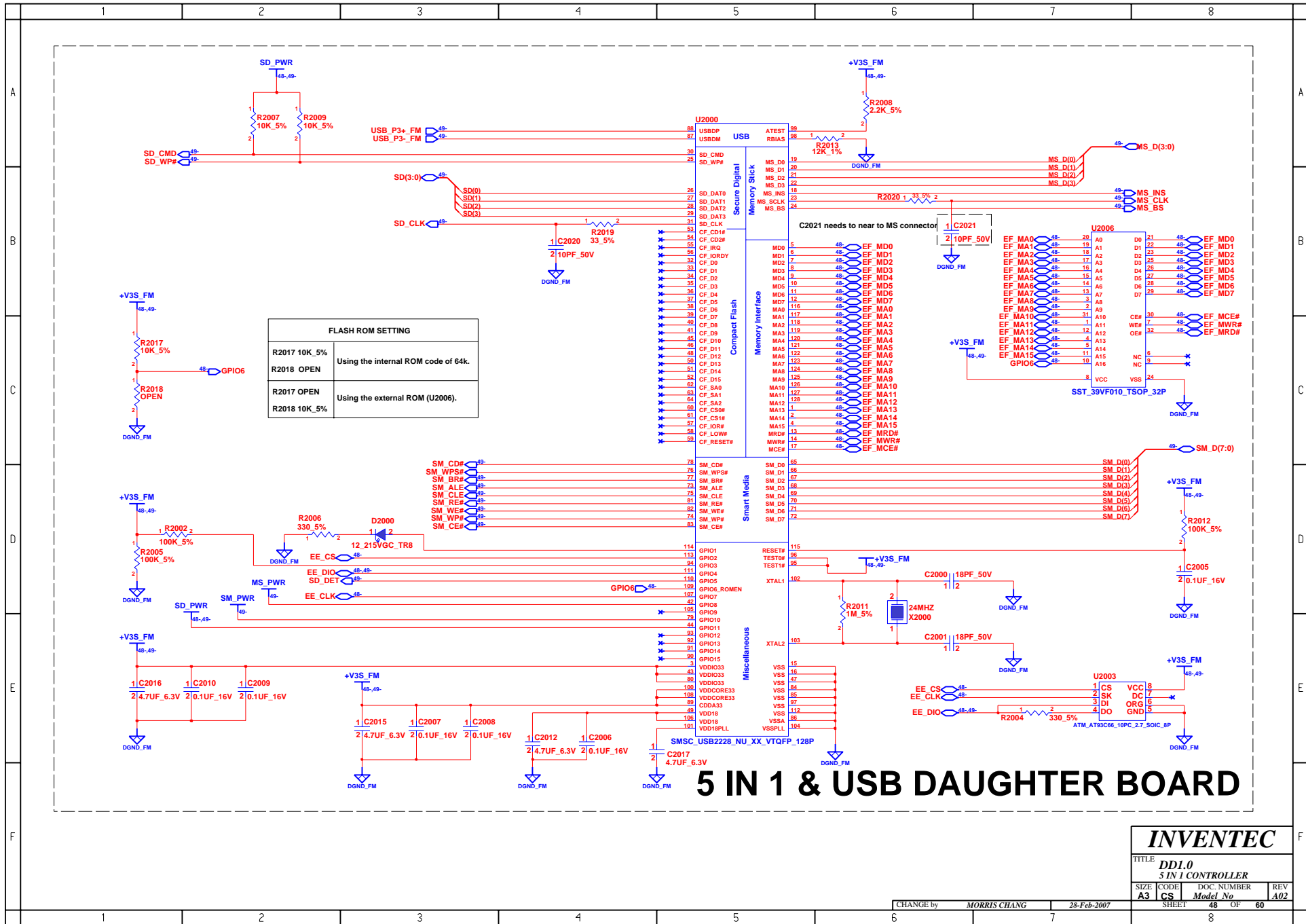
BOARD TO BOARD CONN FOR CARDBUS, 1394, MDC, AUDIO, LED.

INVENTEC

TITLE			
DD1.0			
DAUGHTER BOARD CONN			
SIZE	CODE	DOC. NUMBER	REV
A3	CS	Model No	A02

CHANGE by MORRIS CHANG 28-Feb-2007

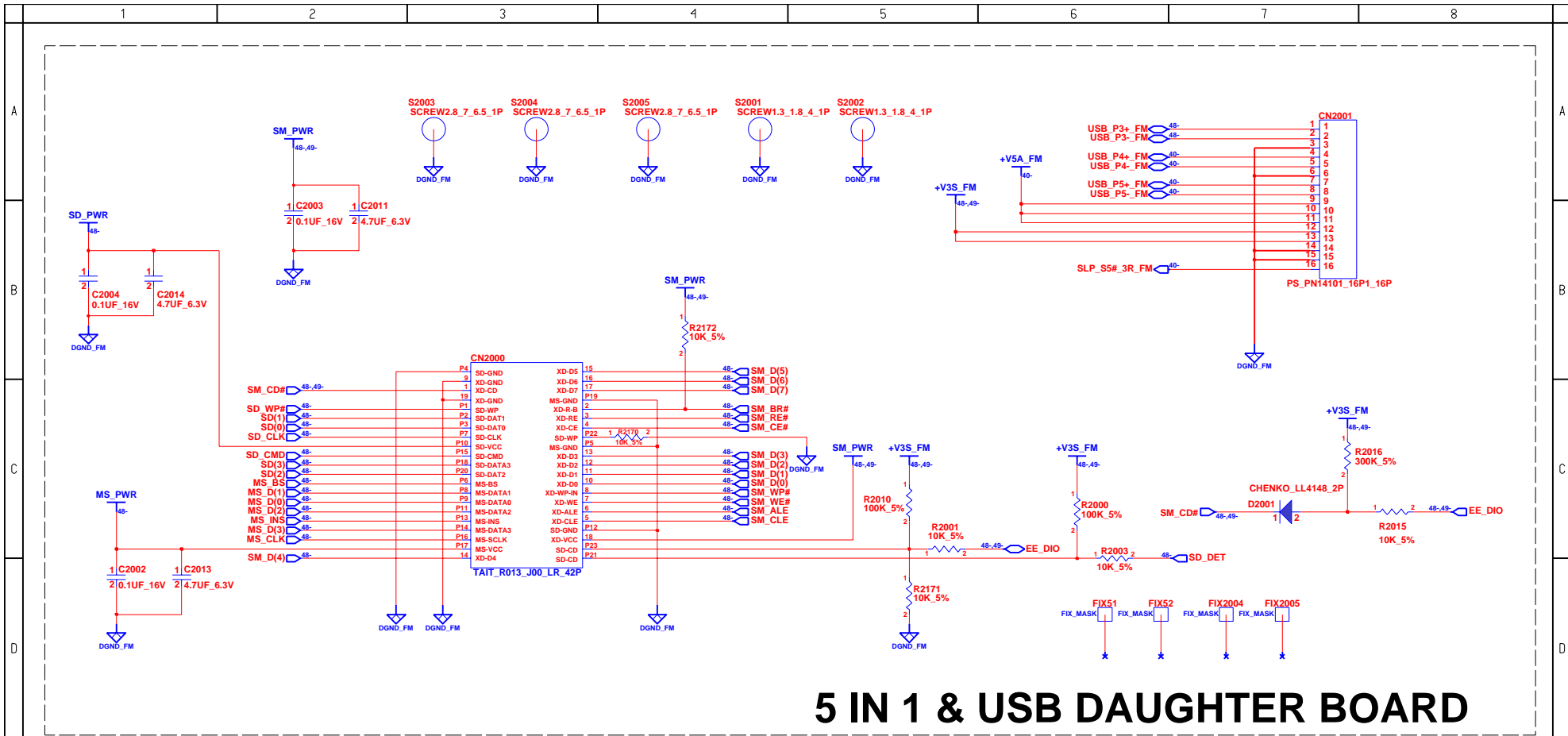
SHEET 47 OF 60



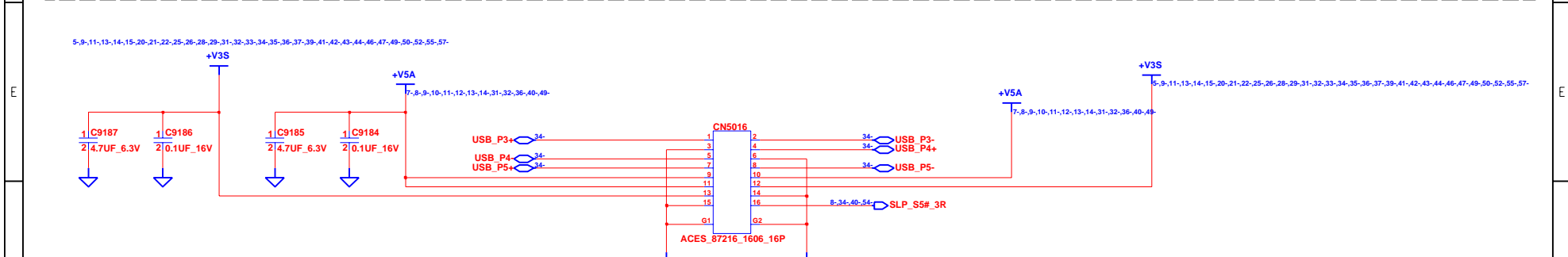
5 IN 1 & USB DAUGHTER BOARD

INVENTEC

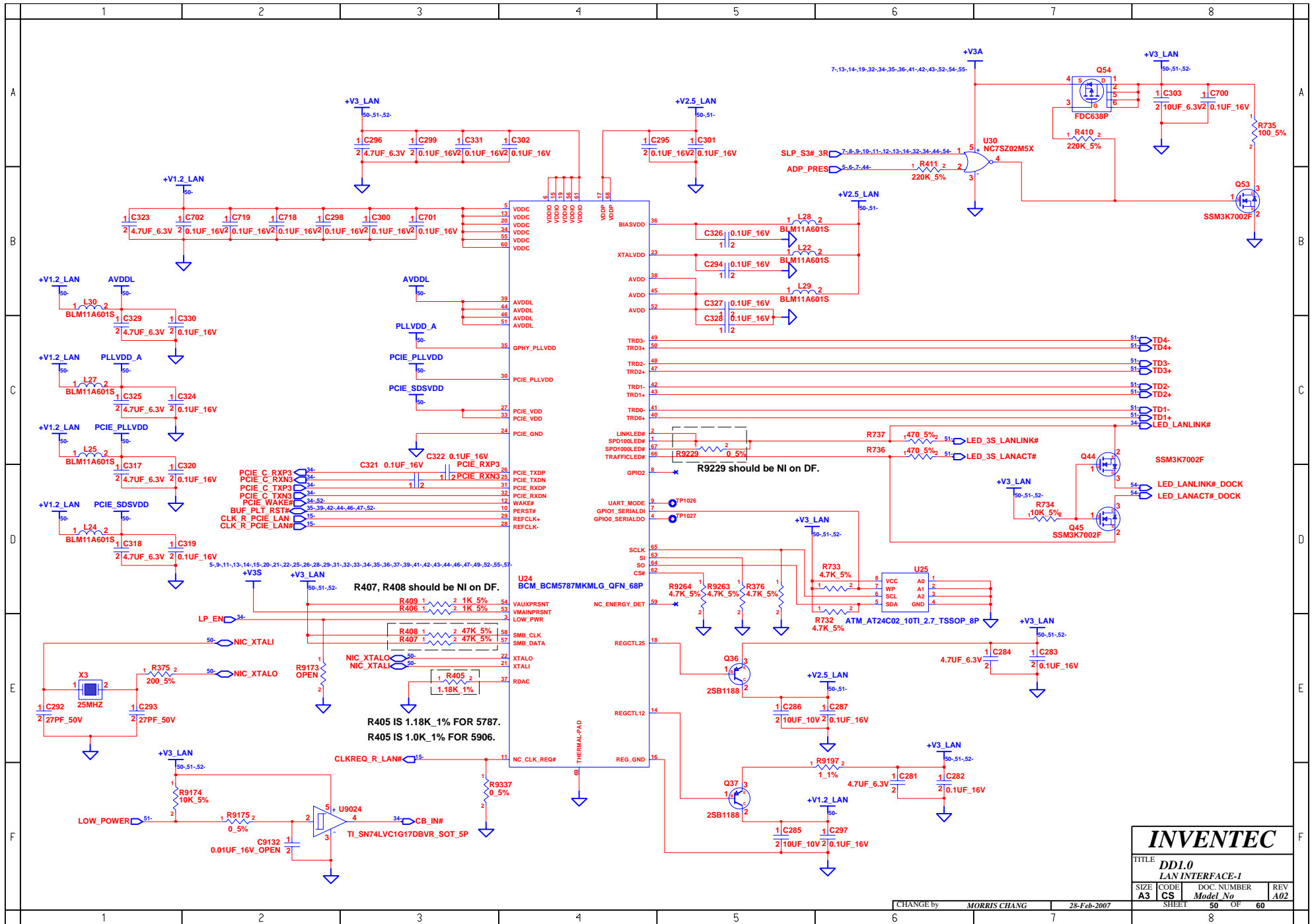
TITLE			
DDI.0			
5 IN 1 CONTROLLER			
SIZE	CODE	DOC. NUMBER	REV
A3	CS	Model No	A02
CHANGE by			SHEET
MORRIS CHANG			8 OF 60
28-Feb-2007			



5 IN 1 & USB DAUGHTER BOARD



INVENTEC			
TITLE DD1.0 5 IN 1 CONNECTOR			
SIZE A3	CODE CS	DOC. NUMBER <i>Model No</i>	REV A02



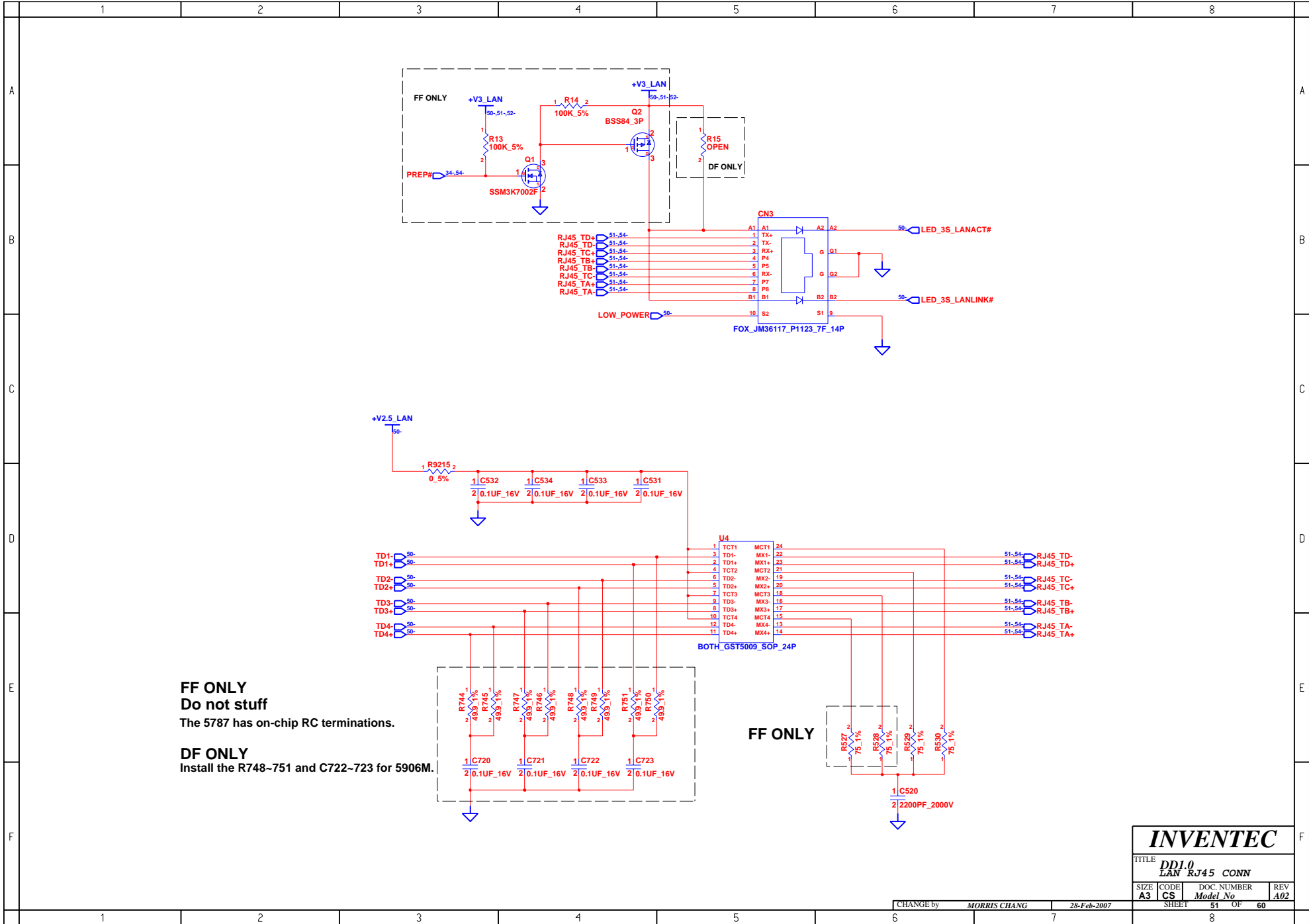
INVENTEC

TITLE
DDI.0
LAN INTERFACE-1

SIZE	CODE	DOC. NUMBER	REV
A3	CS	Model No	A02

CHANGE by MORRIS CHANG 28-Feb-2007

SHEET 50 OF 60

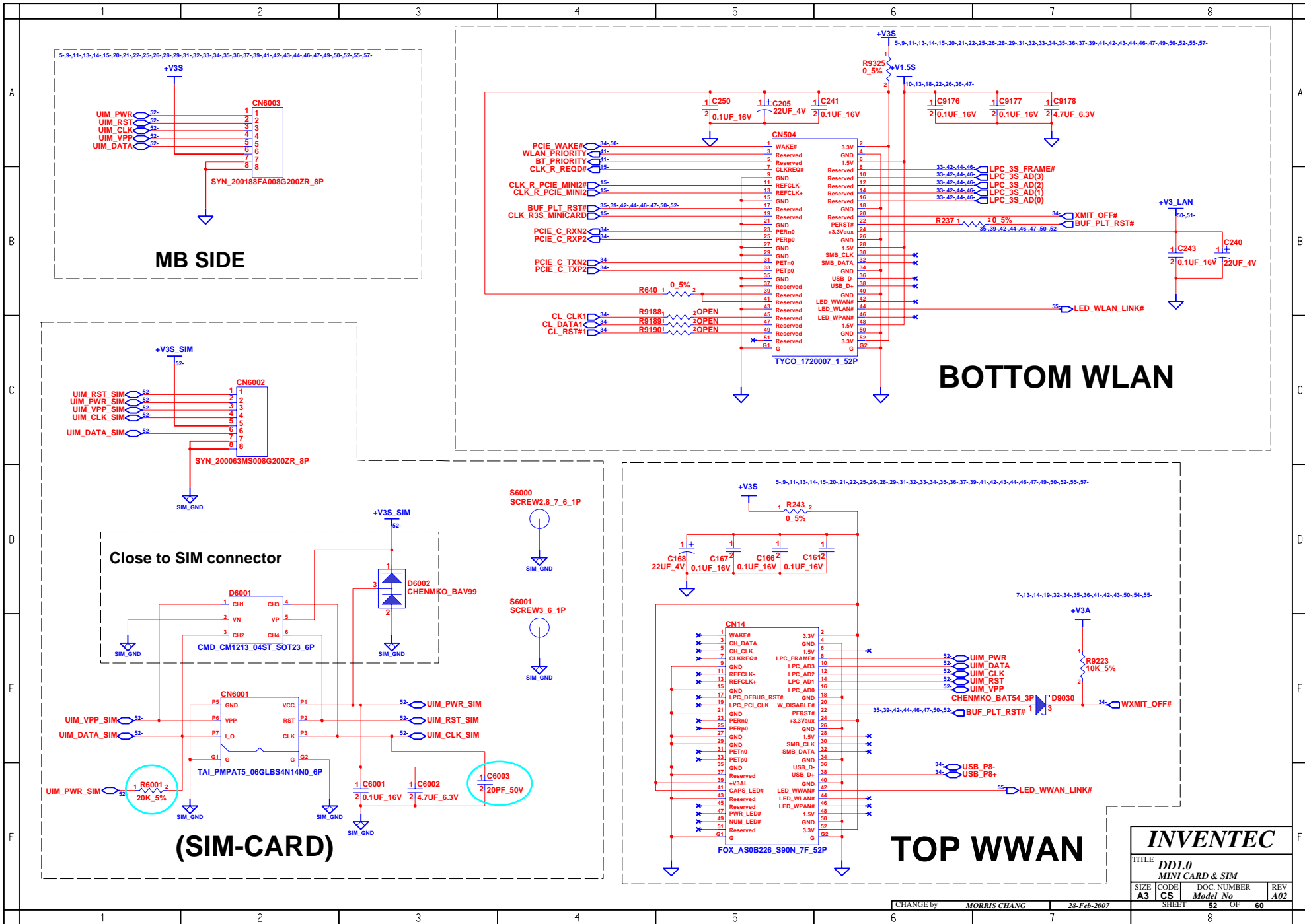


FF ONLY
Do not stuff
The 5787 has on-chip RC terminations.

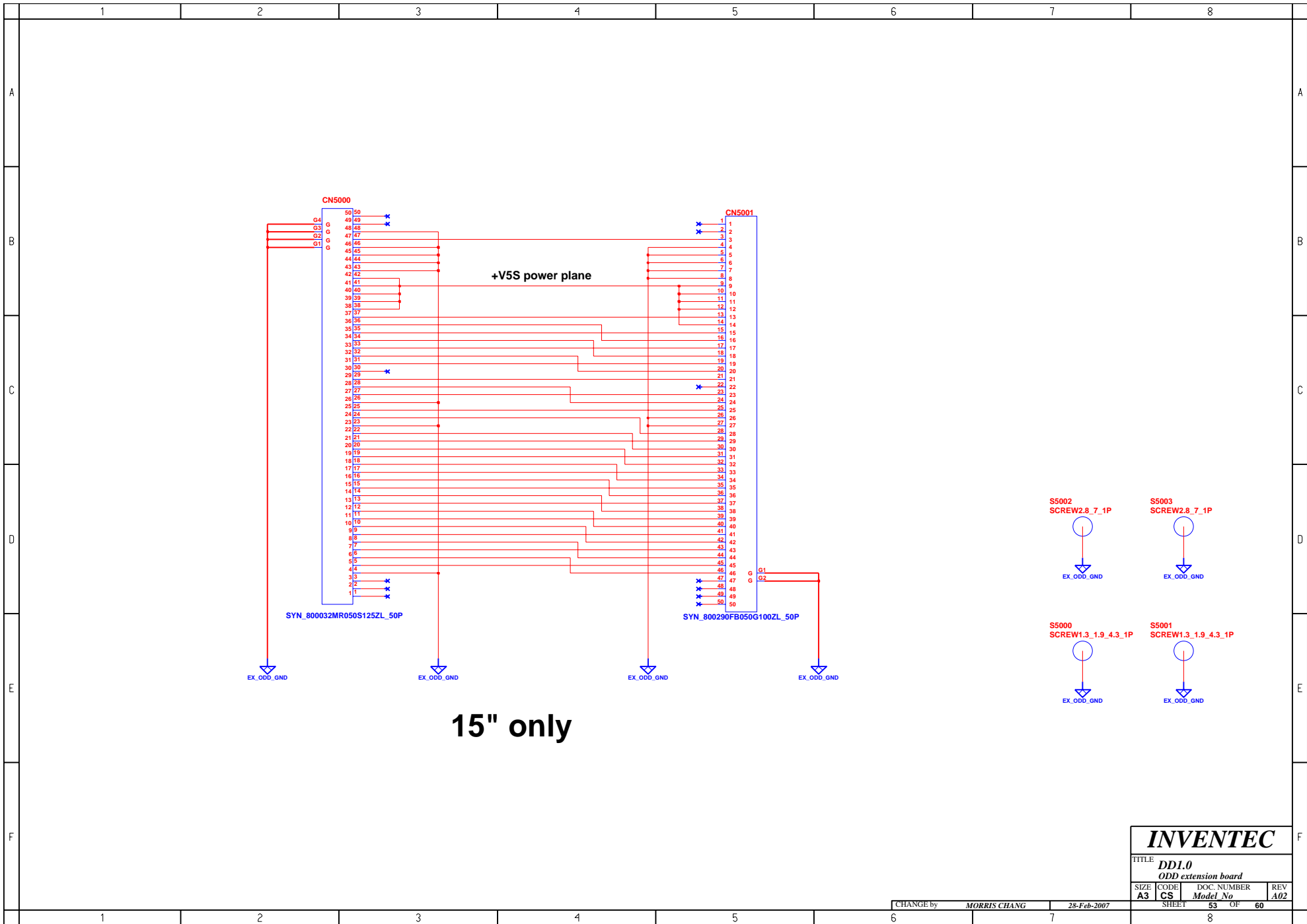
DF ONLY
Install the R748-751 and C722-723 for 5906M.

FF ONLY

INVENTEC			
TITLE <i>DDI.0</i> LAN RJ45 CONN			
SIZE A3	CODE CS	DOC. NUMBER <i>Model No</i>	REV A02
CHANGE by <i>MORRIS CHANG</i>		28-Feb-2007	
SHEET 51		OF 60	



INVENTEC			
TITLE DDI.0 MINI CARD & SIM			
SIZE	CODE	DOC. NUMBER	REV
A3	CS	Model No	A02
CHANGE by		MORRIS CHANG	28-Feb-2007
SHEET		52	OF 60



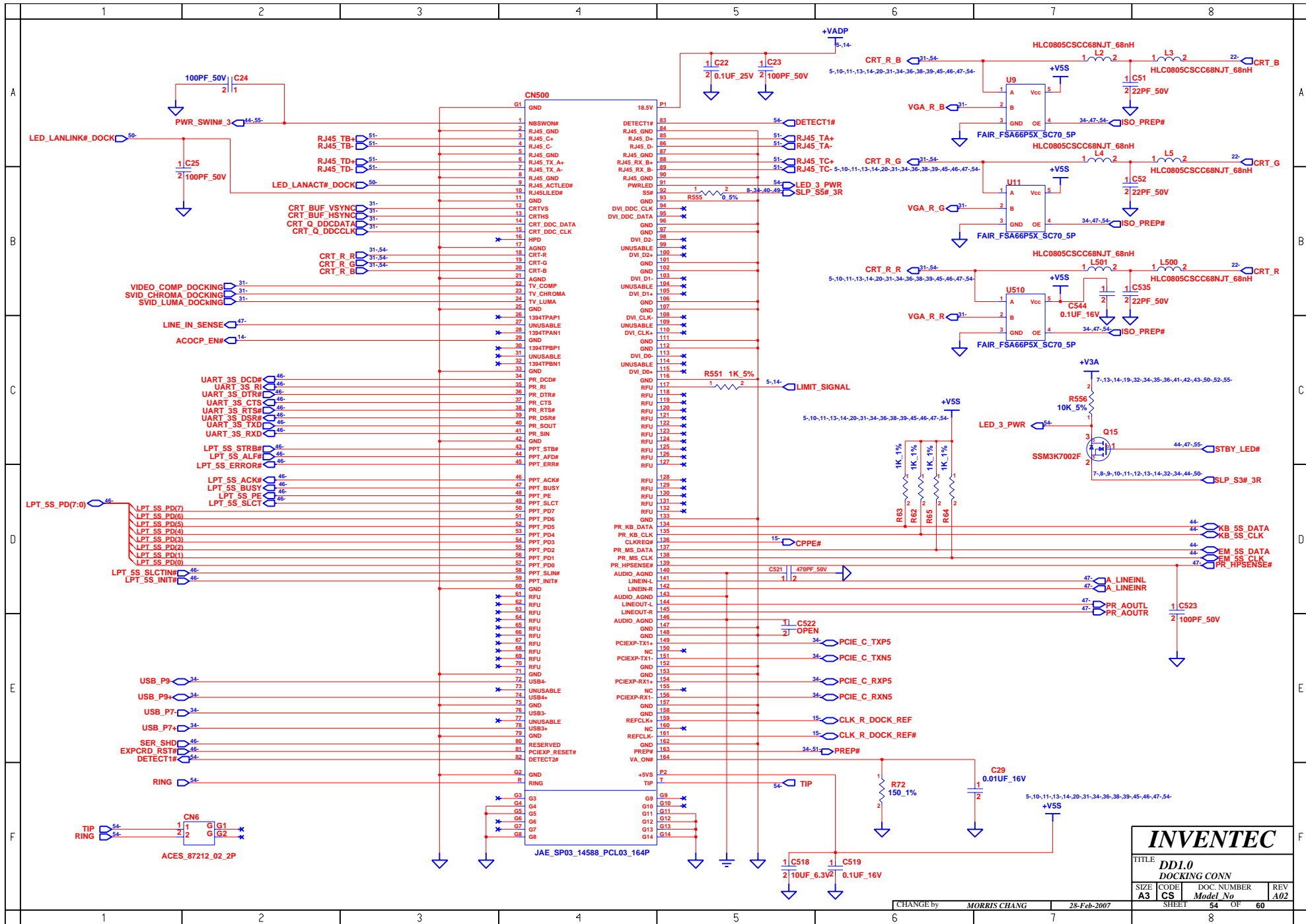
15" only

INVENTEC

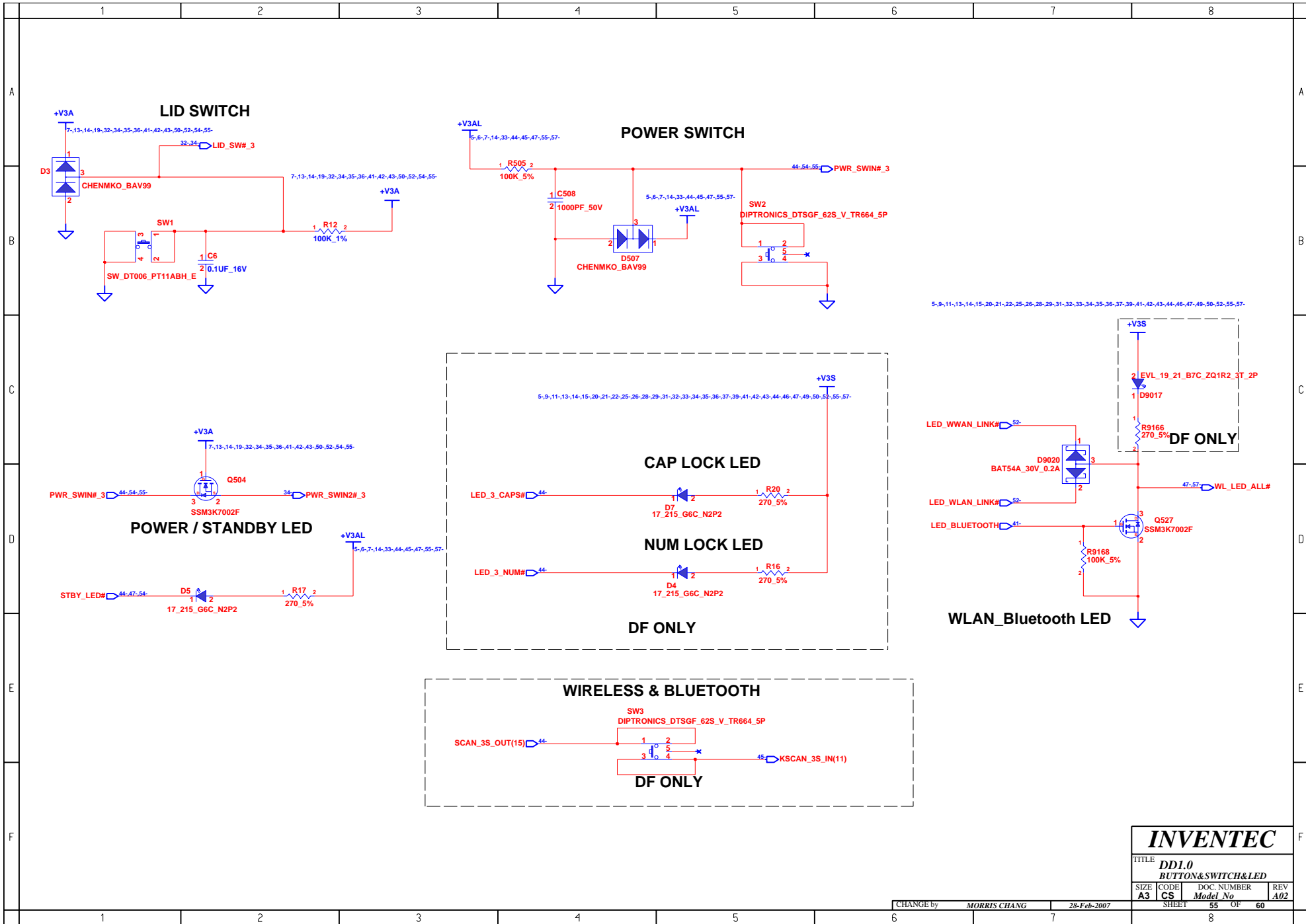
TITLE			
DD1.0			
ODD extension board			
SIZE	CODE	DOC. NUMBER	REV
A3	CS	Model No	A02

CHANGE by MORRIS CHANG 28-Feb-2007

SHEET 53 OF 60

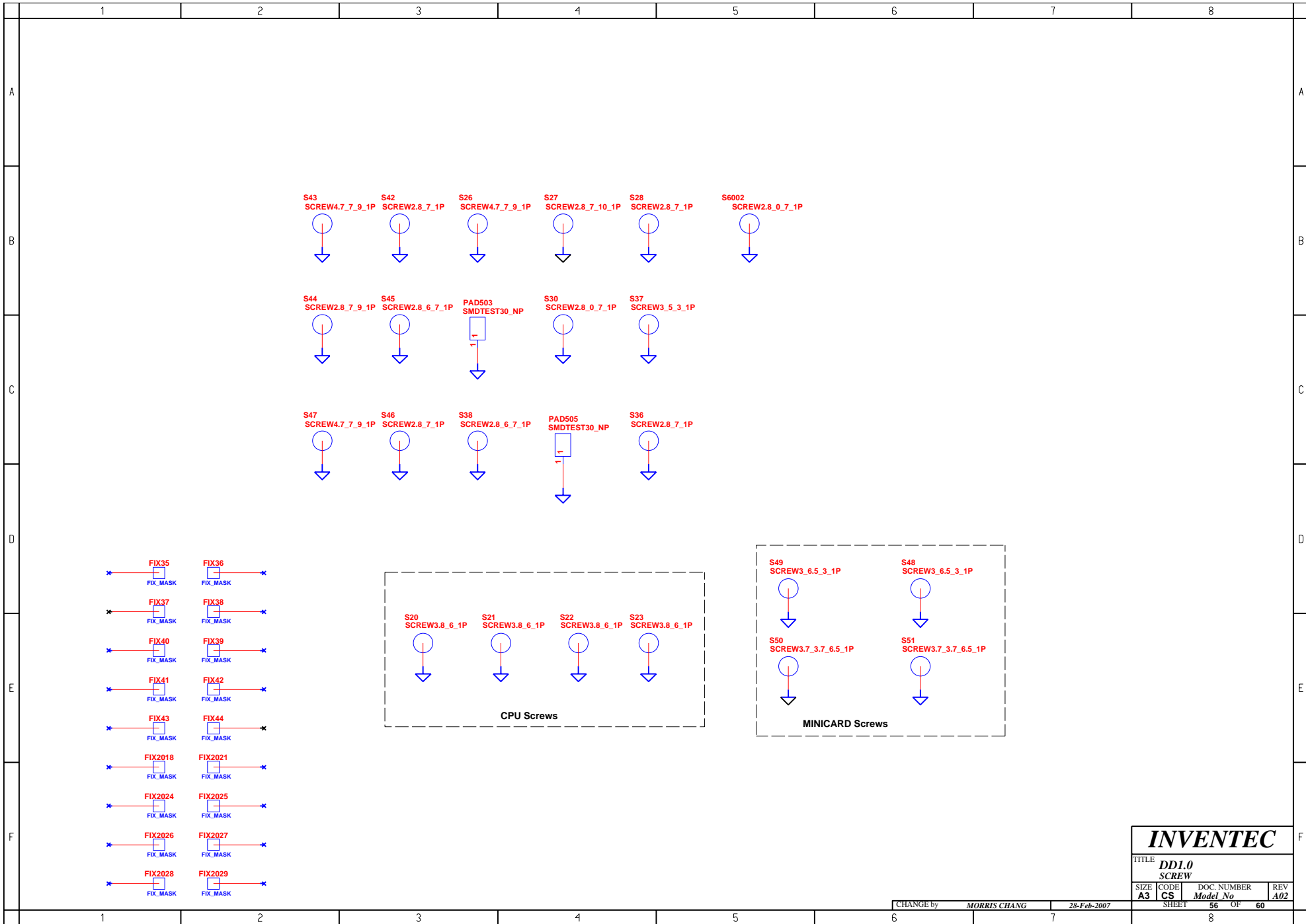


INVENTEC			
TITLE DDI.0 DOCKING CONN			
SIZE A3	CODE CS	DOC. NUMBER Model No	REV A02
CHANGE by MORRIS CHANG		28-Feb-2007	
SHEET 54		OF 60	

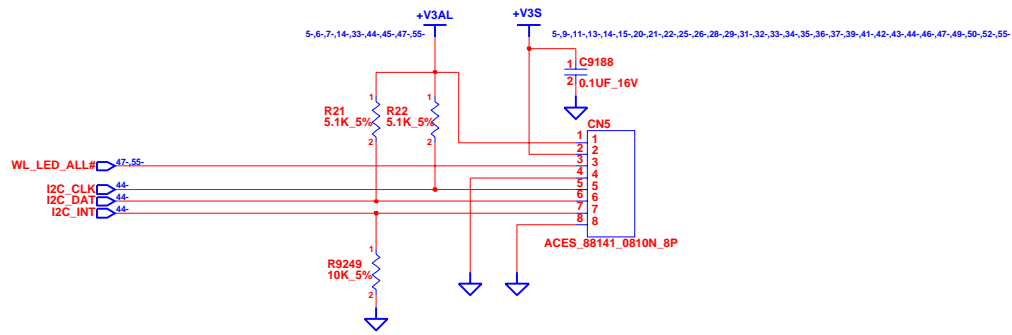


INVENTEC			
TITLE			
DD1.0 BUTTON&SWITCH&LED			
SIZE	CODE	DOC. NUMBER	REV
A3	CS	Model No	A02
CHANGE by		SHEET	
MORRIS CHANG		55 OF 60	

28-Feb-2007

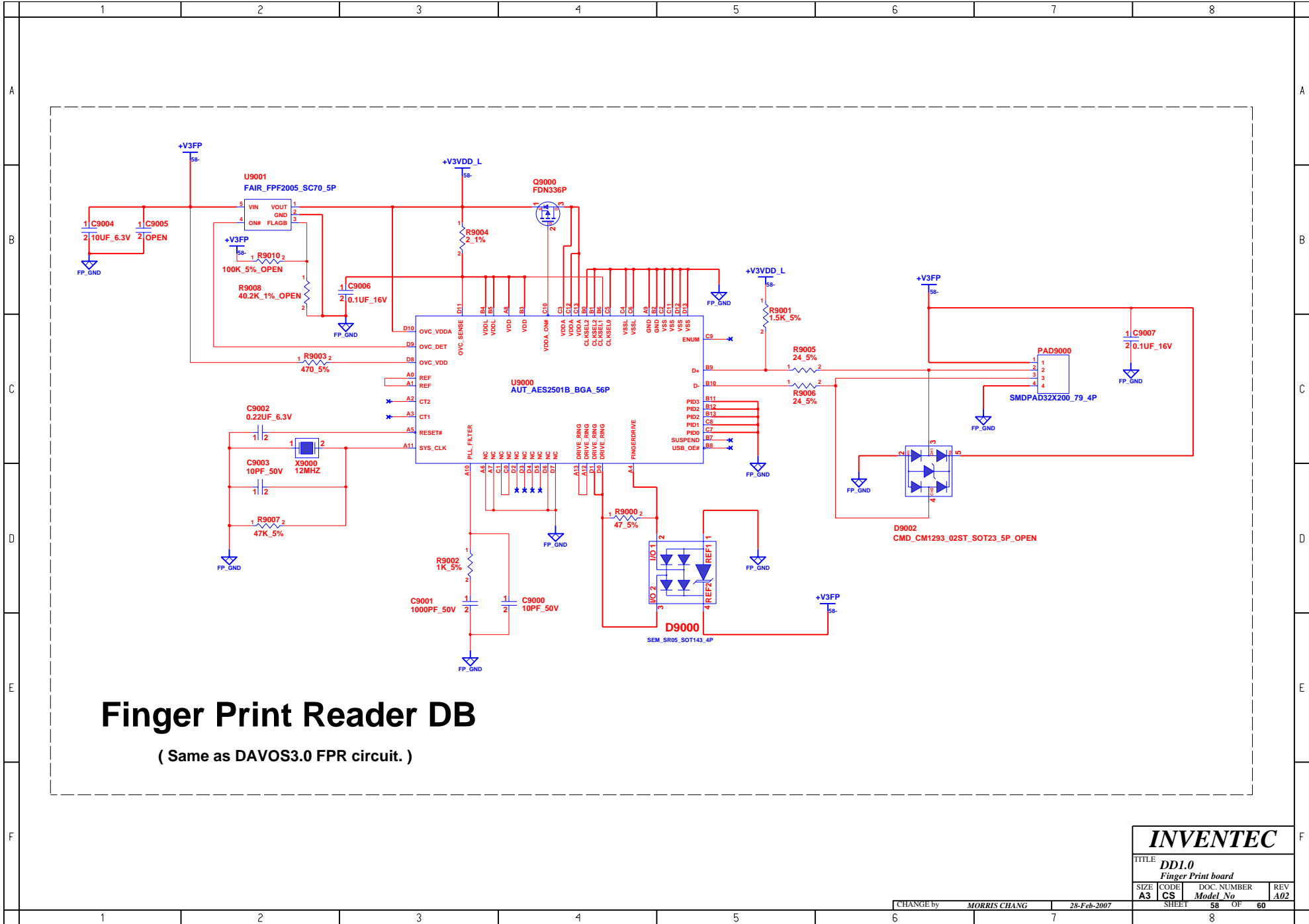


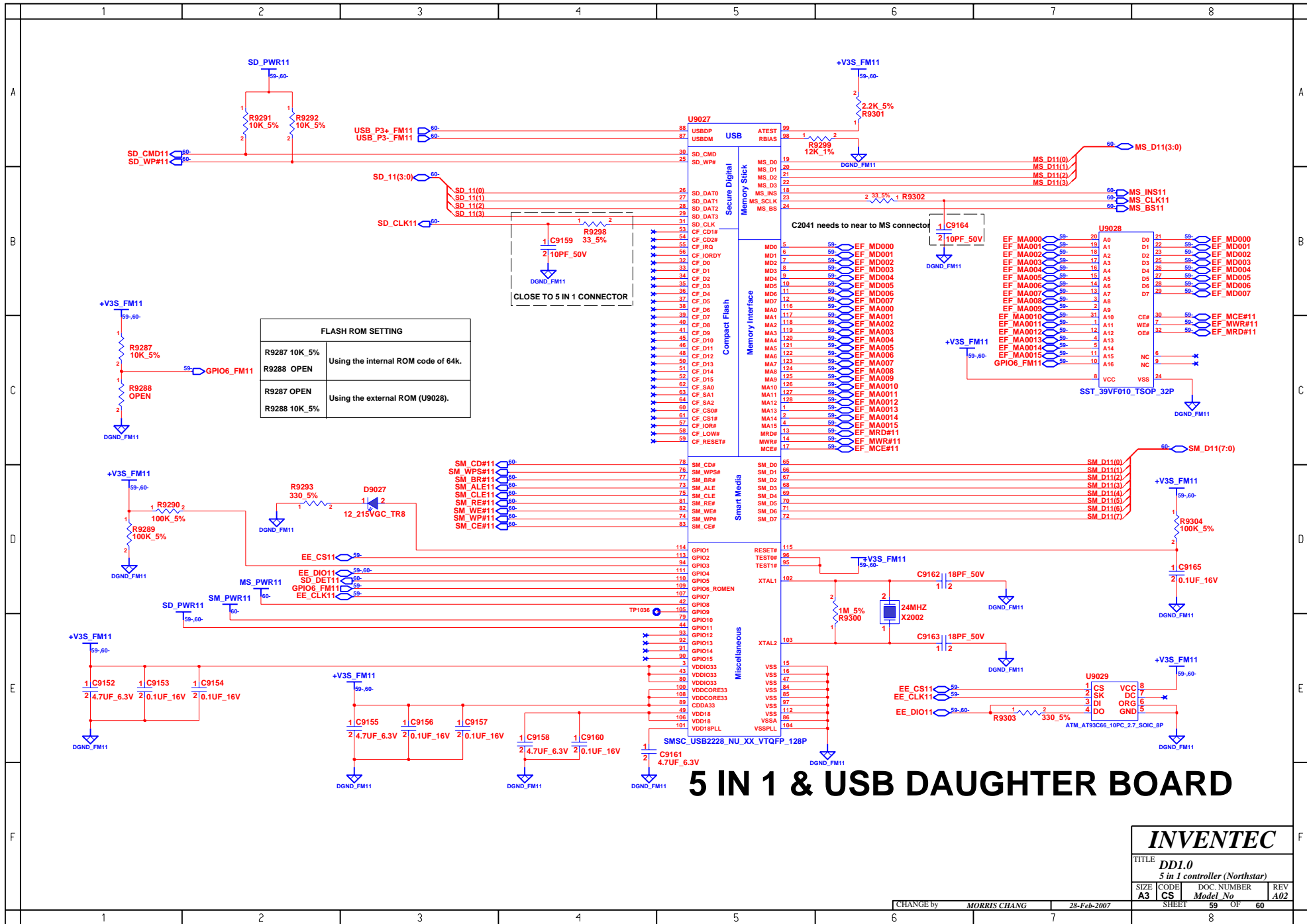
INVENTEC			
TITLE DD1.0			
SCREW			
SIZE	CODE	DOC. NUMBER	REV
A3	CS	Model No	A02
CHANGE by		MORRIS CHANG	28-Feb-2007
SHEET		56	OF 60



**FF ONLY
SWITCH BOARD CONN**

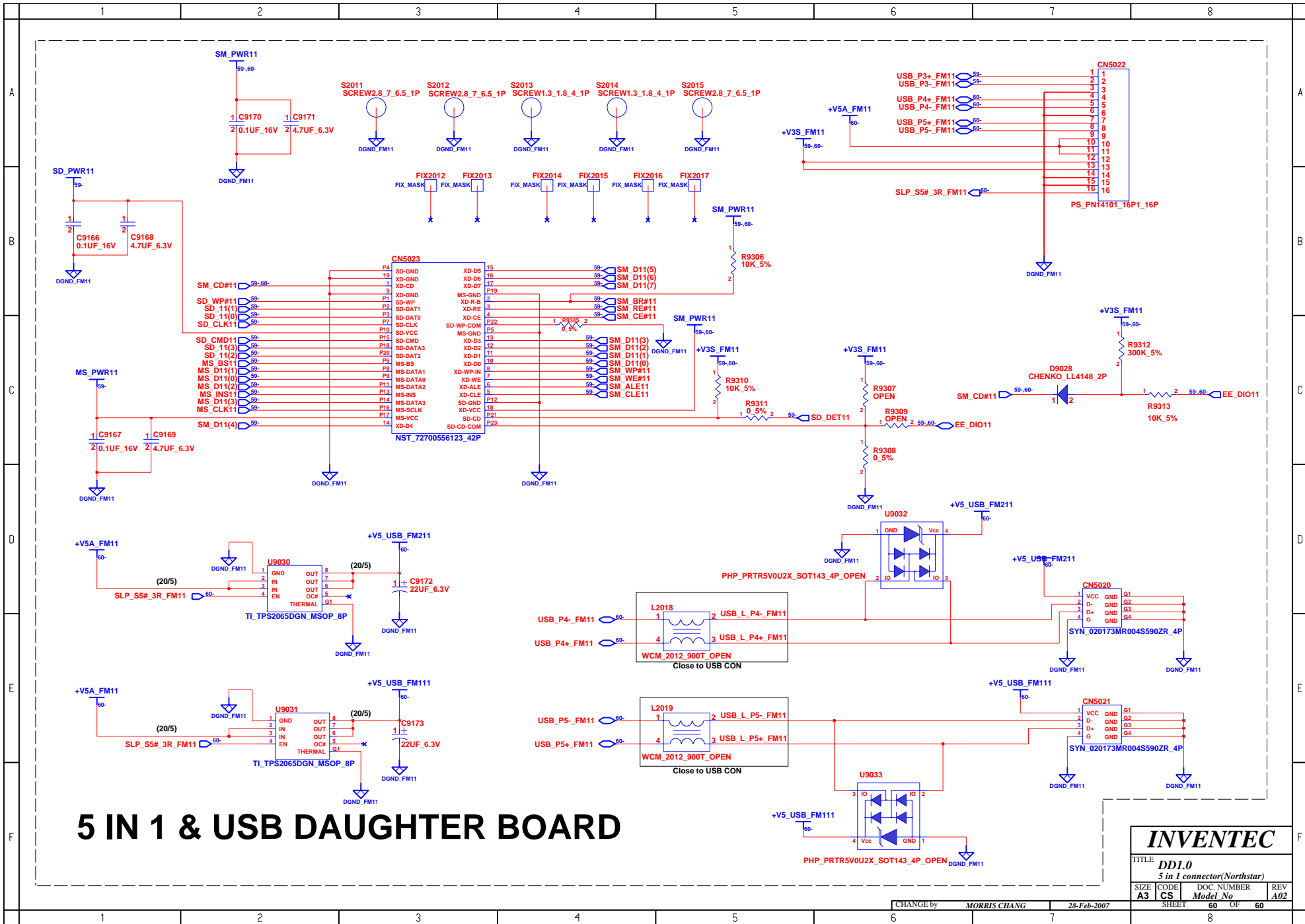
INVENTEC			
TITLE DD1.0			
Switch board Conn			
SIZE A3	CODE CS	DOC. NUMBER	REV A02
CHANGE by MORRIS CHANG		28-Feb-2007	SHEET 57 OF 60





INVENTEC			
TITLE DD1.0			
5 in 1 controller (Northstar)			
SIZE A3	CODE CS	DOC. NUMBER	REV A02
SHEET 1		59	Of 60

CHANGE by MORRIS CHANG 28-Feb-2007



5 IN 1 & USB DAUGHTER BOARD

INVENTEC

TITLE			
DD1.0			
5 in 1 connector(Northstar)			
SIZE	CODE	DOC. NUMBER	REV
A3	CS	Model No	A02

CHANGE by MORRIS CHANG 28-Feb-2007

SHEET 60 OF 60