

# KS-3 Block Diagram

06216-1-Final

Project Code: 91.4B401.001  
PCB(Raw Card):

## PCB Layer Stackup

- L1: Component
- L2: GND
- L3: Signal 1
- L4: VCC
- L5: Signal 2
- L6: Signal 3
- L7: GND
- L8: Component

## Battery Charger/Selector

MAX8765 60	
INPUTS	OUTPUTS
DOCK_PWR19_F	M-BAT-PWR
	S-BAT-PWR

## System DC/DC

MAX8744 65	
VINT19	VCC5M
	VCC3M

## CPU DC/DC

ADP3207 66	
VINT19	VCCPCUCORE

## GMCH GFX CORE

ADP3209 68	
VINT19	VCCGFXCORE

## VCCIR8M

MAX8632 69	
VINT19	VCCIR8M

## VCCIR05B

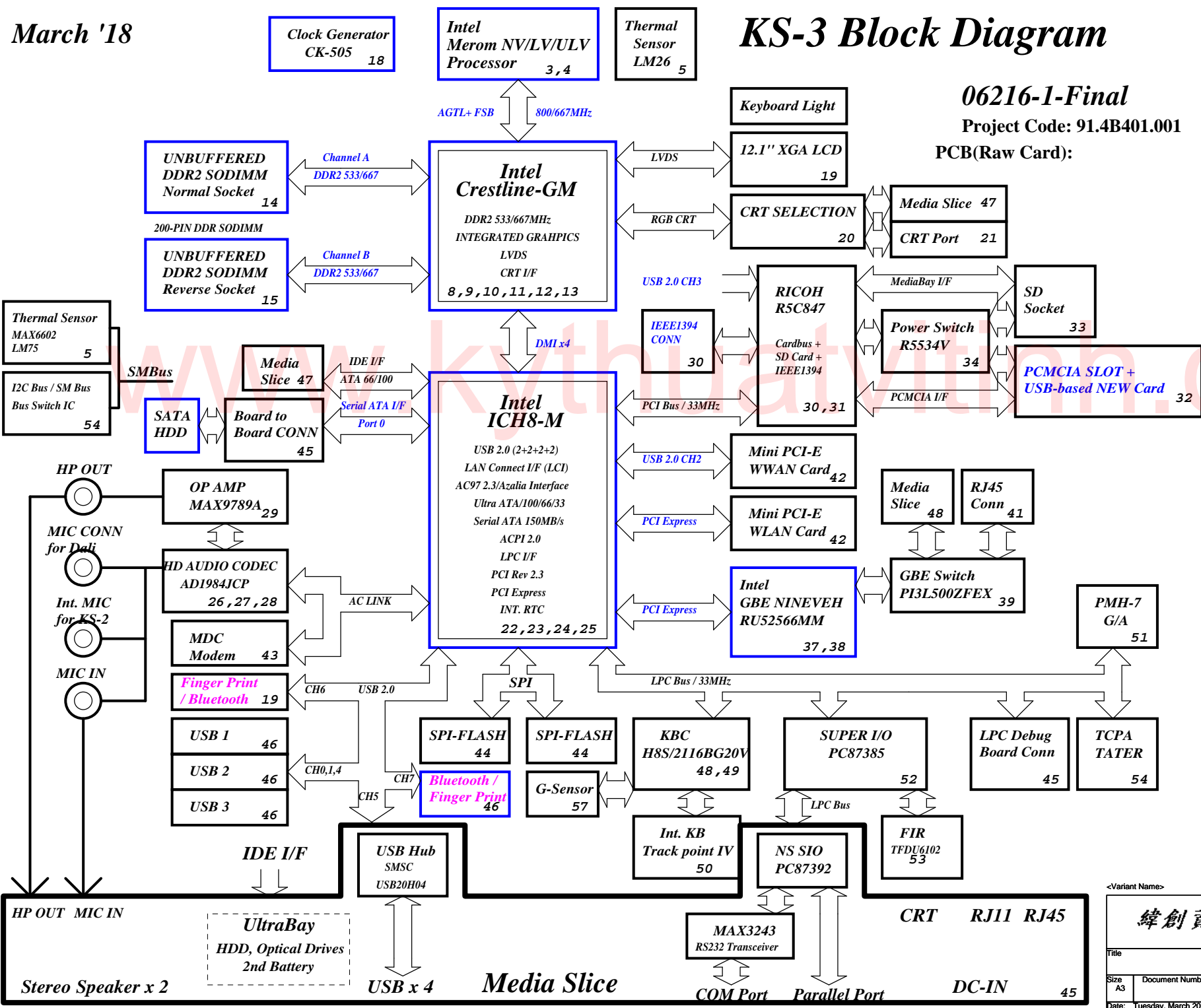
MAX1540EJJ+T 70	
VCC3M	VCCIR05M

## VCCIR5M

MAX1540EJJ+T 70	
VCC3M	VCCIR5M

## VCCIR25AMT

APL5912 71	
VCCIR5M	VCCIR25AMT



<Variant Name>

緯創資通 Wistron Corporation  
21F, 88, Sec.1, Hsin Tai Wu Rd., Hsichih, Taipei Hsien 221, Taiwan, R.O.C.

Block Diagram			
Title	Document Number	Rev	
A3	KS note-3	-1	
Date: Tuesday, March 20, 2007	Sheet 1	of	78

## RESISTOR

Symbol name	Value	Tolerance (J: 5%, F: 1%, D: 0.5%, B: 0.1 %)	Rating 0402=> 1/16W, 25V 0603 => 1/16W, 75V 0805 => 1/10W, 100V	Size 2=>0402, 3=>0603, 5=>0805, 6=>1206, 0=>1210
10KR3	10K Ohm	If no letter, it means J: 5%	1/16W, 75V	0603
33D3R5	33.3 Ohm	If no letter, it means J: 5%	1/10W, 100V	0805
1KR3F	1K Ohm	F: 1%	1/16W, 75V	0603

The naming rule is value + R + size + tolerance  
 For the value, it can be read by the number before R. (R means resistor)  
 For the tolerance, it can be read from the last letter.  
 For the rating, we don't show on the symbol name.  
 For the size, R2=>0402, R3=>0603, R5=>0805,.....

## CAPACITOR

Symbol name	Value	Tolerance (M: +/-20, K: +/-10, Z: +80/-20)	Rating	Size 2=>0402, 3=>0603, 5=>0805, 6=>1206, 0=>1210
SCD1U10V2MX-1	0.1uF	M/X5R	10V	0402
SC10U6D3V5MX	10uF	M/X5R	6.3V	0805
SC2D2U16V5ZY	2.2uF	Z/Y5V	16V	0805

The naming rule is  
 Capacitor type + value + rating + size + tolerance + material  
 SCD1U10V2MX-1  
 SC=> SMT Ceremic, TC=> POS cap or SP cap  
 D1U => 0.1uF  
 10V => the voltage rating is 10V  
 2=> 0402, 3=>0603, 5=>0805  
 M=>tolerance M, K, Z  
 X=> X7R/X5R, Y=> Y5V  
 -1 => symbol version, nonsense to EE characteristic

## PLANAR\_ID[3..0]

ICH8-M GPIO#	39	38	37	36	Planar ID Version	Planar PCB Version
PLANAR_ID#	3	2	1	0		
	0	0	0	0	KSnote-3 Pre-DV	SA
	0	0	0	1	DV1	SB
	0	0	1	0	FVT	SC
	0	0	1	1	DV2	SD
	0	1	0	0	DV2-R, SIT	SE, SF
	0	1	0	1	SIT (Dali-2)	SG
	0	1	1	0	SIT-R	SH
	0	1	1	1	SVT	-1

## EC HISTORY

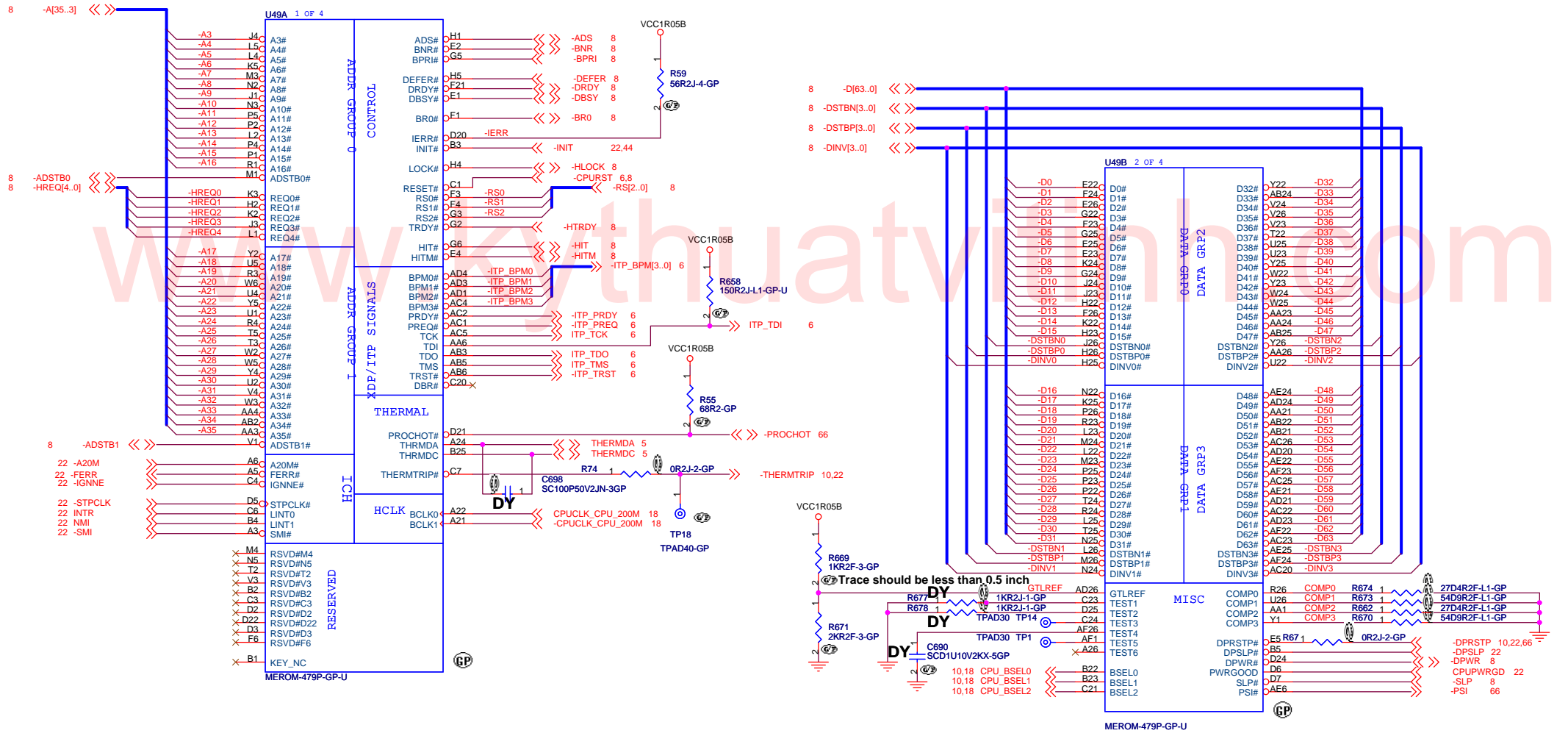
Stage	Date	EC No.	Page	Note
DV	7/19	EC019	69	Add R856 connect U22 pin.5 and MPWRG
DV	7/19	EC019	74	Add R857(DY)
DV1	7/21	EC001	56	Add 2nd FAN Control logic in P.56
DV1	7/21	EC001	18	Delete C590,C593,C589,C579,R833,R834 make DREFCLK_96M connect to U67 Pin.5 -DREFCLK_96M connect to U67 Pin.6 Reset R514,R515,R573 to 1ohm
DV1	7/21	EC001	11	Add C590,C905,C906,C593,C579,C589 and connect to U53F Pin.AC16
DV1	7/21	EC001	12	Reset C139,C145,C701 to 6.3V 10%
DV1	7/21	EC001	10	Reset U27 to Dummy, R250 to ASM
DV1	7/21	EC001	48	Reset R212 to DY Add -90W_AC connect to U26A Pin.11
DV1	7/21	EC001	49	Reset R291 to DY Add GSENSE_TST connected to U26B Pin.F3 Add FAN2_ON, FAN2_FRQ
DV1	7/21	EC001	24	Reset R337 to DY,R341 to ASM
DV1	7/21	EC001	19	Reset R649,U12,R49 to DY, R648 to ASM
DV1	7/21	EC001	46	Delete F6,Q25,R133,C224 and -2NDFAN_ON
DV1	DV1	EC001	68	Reset R427,R451,R442,R439,R420 to 22k ohm Change the power from VCC5M to VCC3M

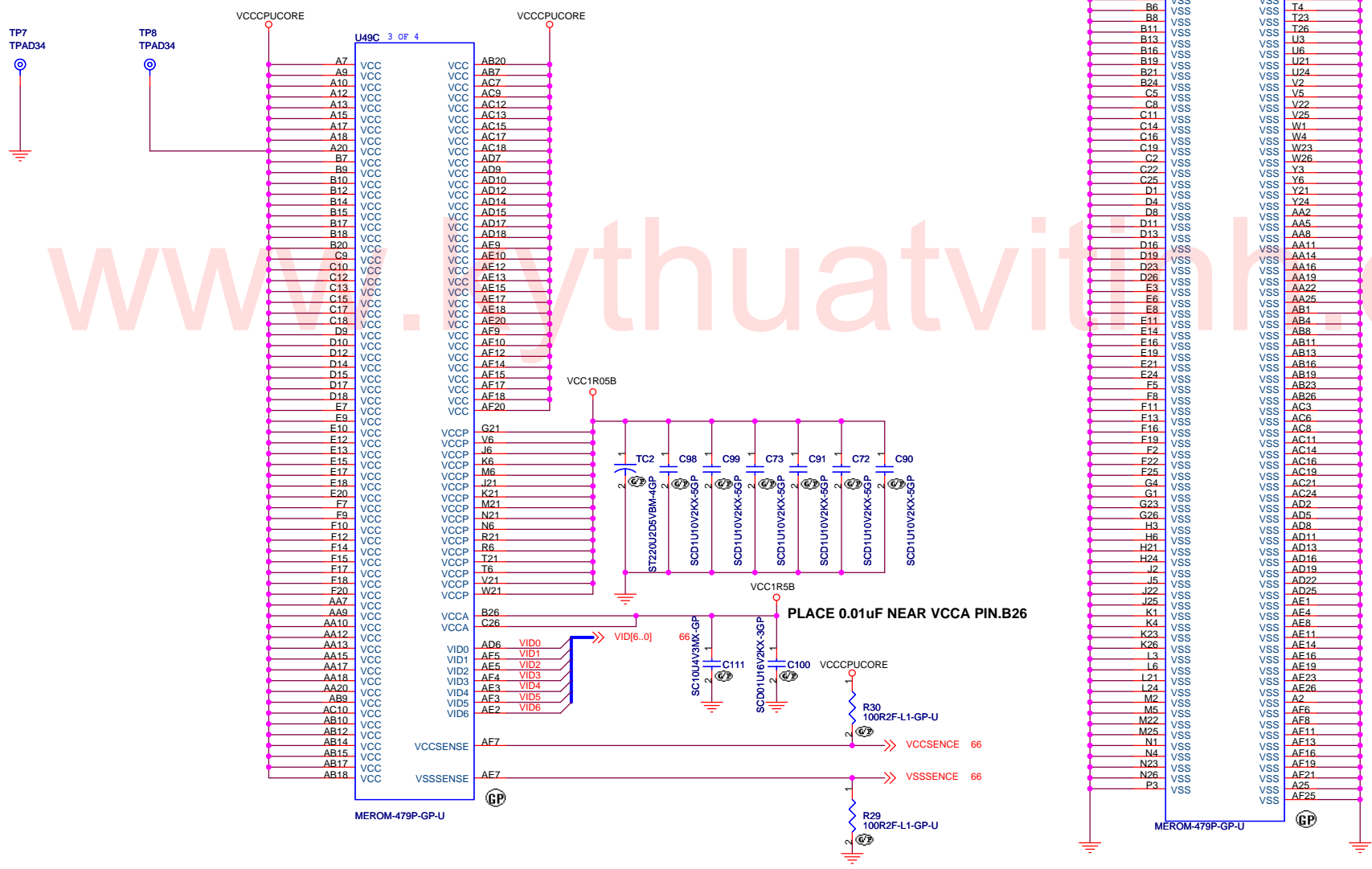
## PCI TABLE

DEVICE	IDSEL	IRQ (Default)	REQ# / GNT#
MINIPCI SLOT	AD18	F, G	REQ# 3/ GNT#3
CARDBUS R5C811	AD16	SERIRQ	REQ#0 / GNT#0
USB UHCI	AD29	A, C, D	
USB 2.0 EHCI	AD29	H	
DMI-to-PCI/ AC97 Modem/ AC97 Audio	AD30	B B	
LPC Bridge IDE SATA SMBus	AD31	C C B	
PCI Express	AD28	A, B, C, D	

<Variant Name>

<b>緯創資通</b>		<b>Wistron Corporation</b>	
21F, 88, Sec.1, Hsin Tai Wu Rd., Hsichih, Taipei Hsien 221, Taiwan, R.O.C.			
<b>Reference</b>			
Size A3	Document Number	Rev -1	
<b>KS Note-3</b>			
Date: Tuesday, March 20, 2007	Sheet 2	of 78	



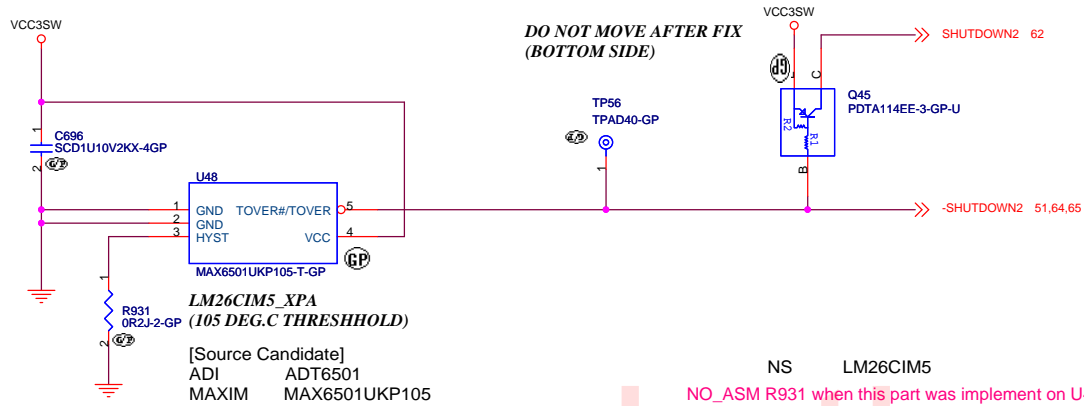


www.ythuatvith.com

<Variant Name>

<b>緯創資通</b>		<b>Wistron Corporation</b>	
		21F, 88, Sec.1, Hsin Tai Wu Rd., Hsichih, Taipei Hsien 221, Taiwan, R.O.C.	
<b>Merom CPU(2/2)</b>			
Title	Document Number		Rev
Size	KS note-3		-1
Date: Tuesday, March 20, 2007	Sheet	4	of 78

# Thermal Sensor LM26 for CPU

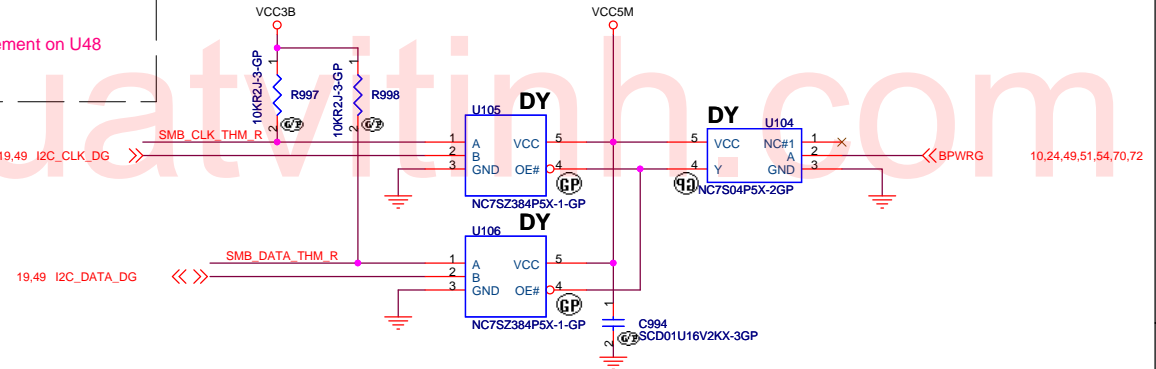
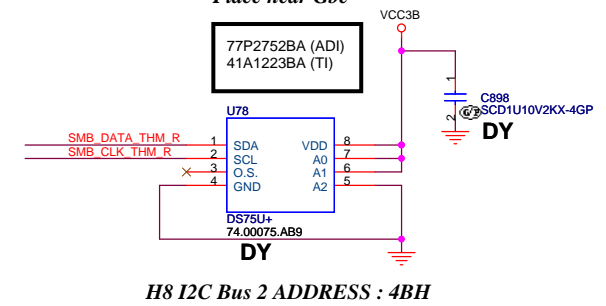


DALI2 uP/Thermal Sensor IIC BUS 19,49 I2C\_CLK\_DG

	KS3	Dali2
U104	NoASM	ASM
U105	NoASM	ASM
U106	NoASM	ASM

# Thermal Sensor LM75 for Gbe module

Place near Gbe



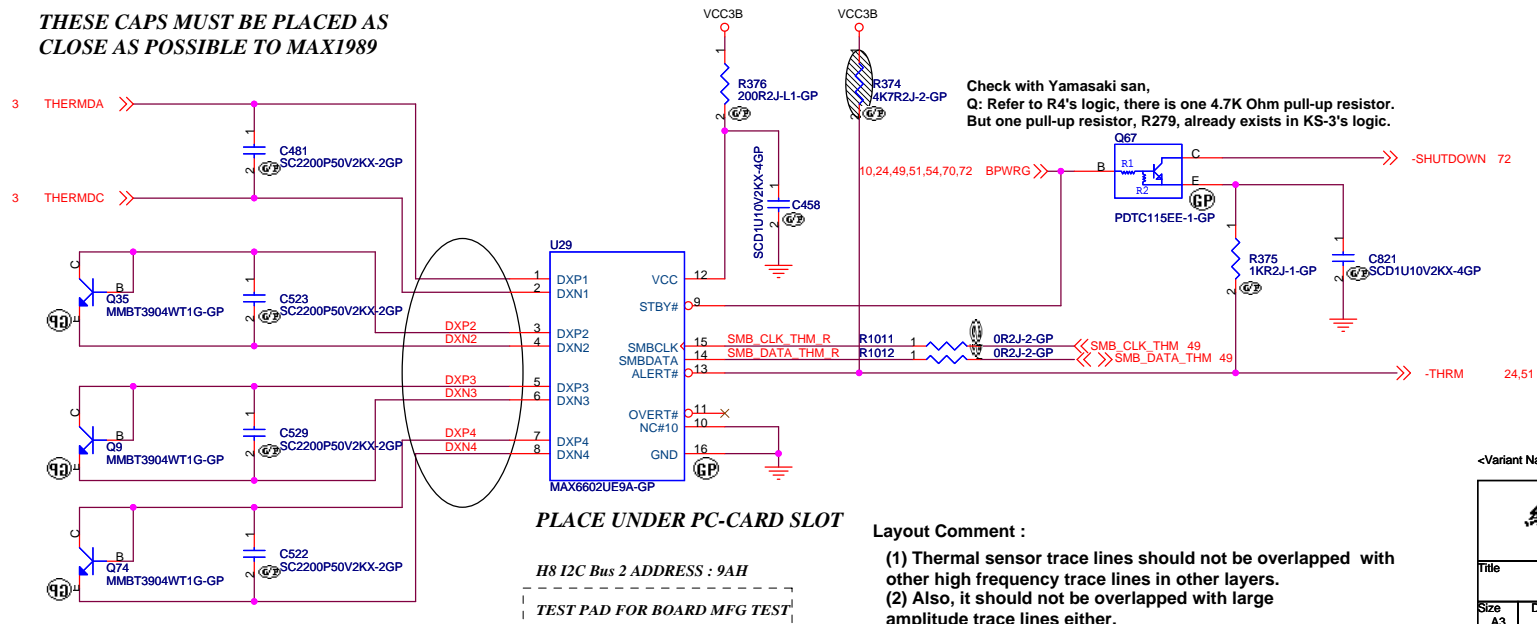
THESE CAPS MUST BE PLACED AS CLOSE AS POSSIBLE TO MAX1989

TO CPU DIE

DDR MODULE

TO VCORE FET

TO MINI CARD



Check with Yamasaki san,  
Q: Refer to R4's logic, there is one 4.7K Ohm pull-up resistor.  
But one pull-up resistor, R279, already exists in KS-3's logic.

Layout Comment :

- (1) Thermal sensor trace lines should not be overlapped with other high frequency trace lines in other layers.
- (2) Also, it should not be overlapped with large amplitude trace lines either.

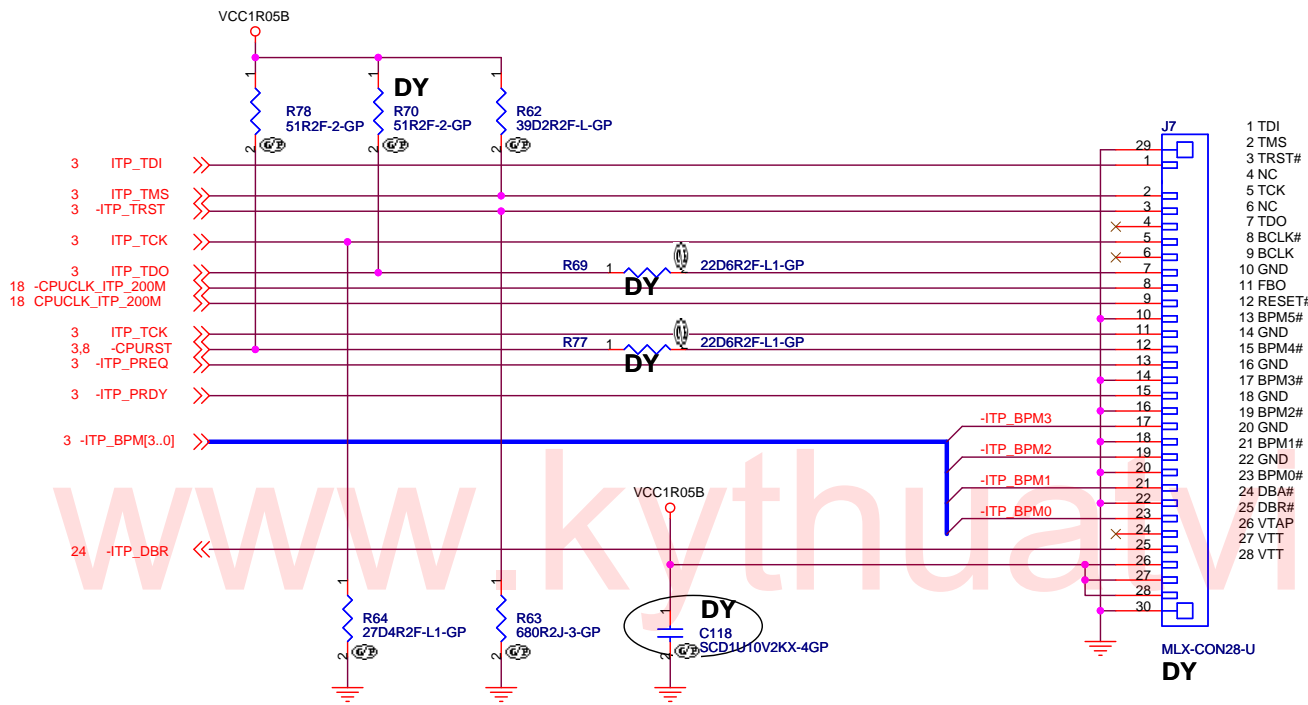
<Variant Name>

緯創資通 Wistron Corporation  
21F, 88, Sec.1, Hsin Tai Wu Rd., Hsichih, Taipei Hsien 221, Taiwan, R.O.C.

Title: **THERMAL SENSOR**

Size: A3 Document Number: KS note-3 Rev: -1

Date: Tuesday, March 20, 2007 Sheet 5 of 78



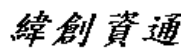
- 1 TDI
- 2 TMS
- 3 TRST#
- 4 NC
- 5 TCK
- 6 NC
- 7 TDO
- 8 BCLK#
- 9 BCLK
- 10 GND
- 11 FBO
- 12 RESET#
- 13 BPM5#
- 14 GND
- 15 BPM4#
- 16 GND
- 17 BPM3#
- 18 GND
- 19 BPM2#
- 20 GND
- 21 BPM1#
- 22 GND
- 23 BPM0#
- 24 DBA#
- 25 DBR#
- 26 VTAP
- 27 VTT
- 28 VTT

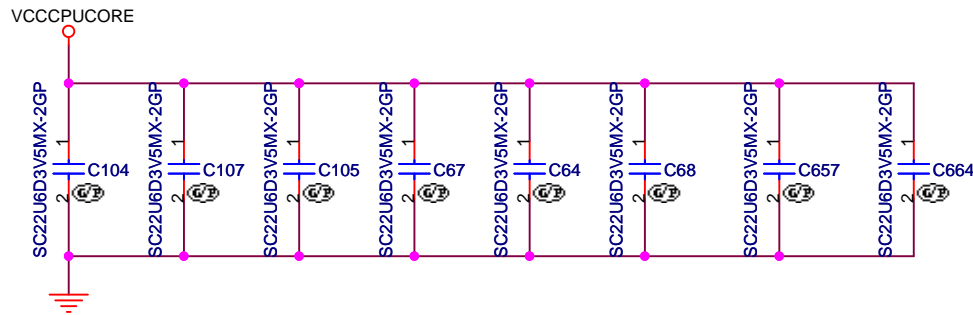
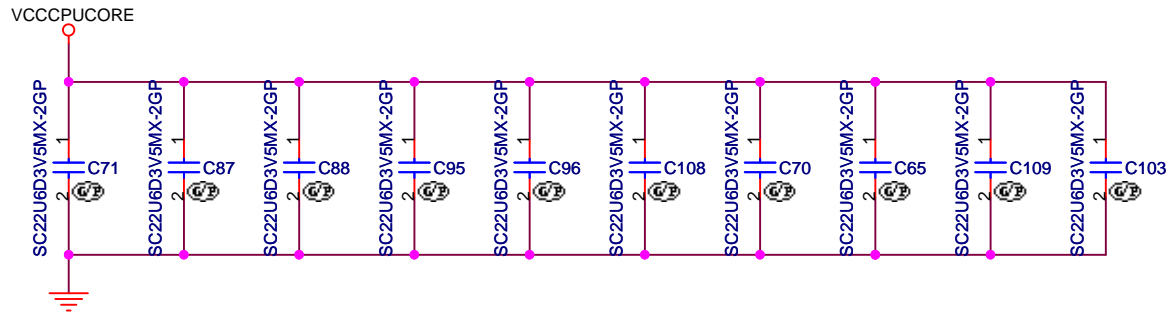
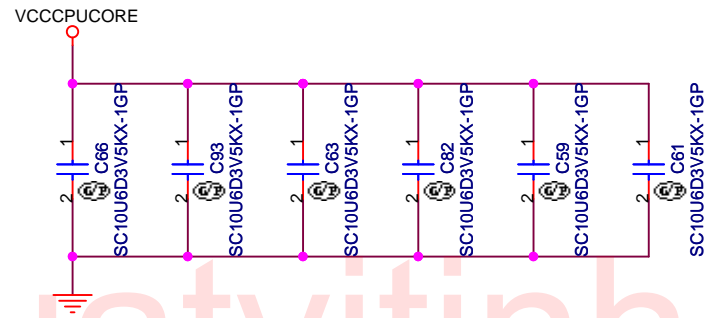
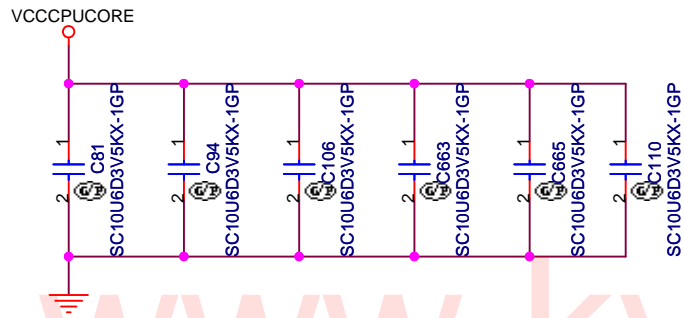
- (\*1) TCK SIGNAL IS BRANCHED AT CPU'S PIN
- (\*2) CPURST# SIGNAL IS BRANCHED AT GMCH'S PIN

Ref Des	For ITP 700Flex	For ITP-XDP
J7	NO_ASM-->ASM	NO_ASM-->ASM
C118	NO_ASM-->ASM	NO_ASM-->ASM
R658	ASM (No Change)	ASM--> 51 5% ASM
R69	NO_ASM-->ASM	NO_ASM-->ASM
R77	NO_ASM-->ASM	NO_ASM-->1K 5% ASM
R63	ASM (No Change)	ASM (No Change)
R78	ASM (No Change)	ASM-->NO_ASM
R70	ASM (No Change)	ASM (No Change)
R64	ASM (No Change)	ASM-->51 5% ASM
R62	ASM (No Change)	ASM-->51 5% ASM

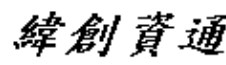
Rxxx(\*) is the pull-up resistor on ITP\_TDI

<Variant Name>

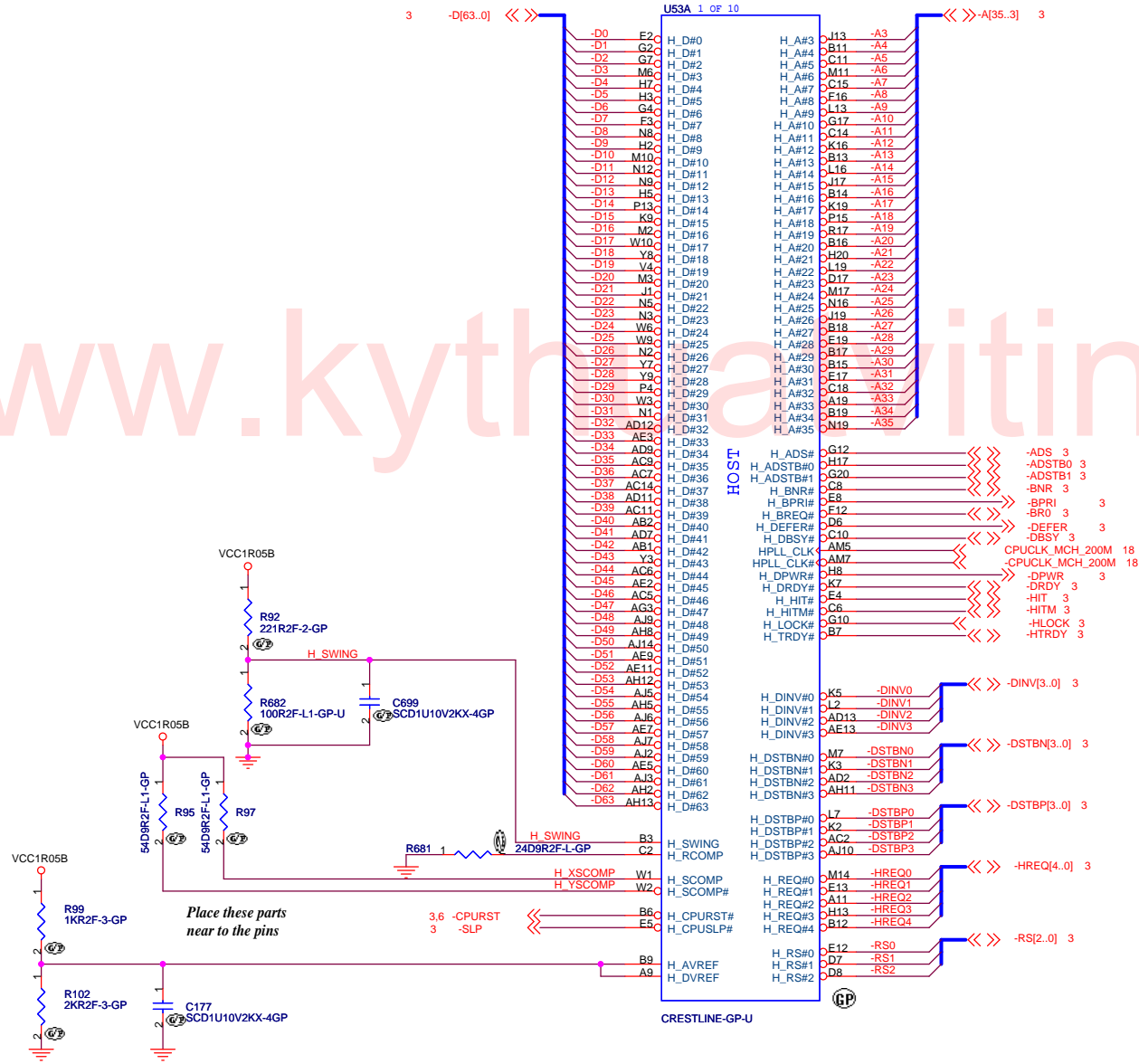
 <b>Wistron Corporation</b> 21F, 88, Sec.1, Hsin Tai Wu Rd., Hsichih, Taipei Hsien 221, Taiwan, R.O.C.		
<b>ITP CONN</b>		
Size Custom	Document Number <b>KS note-3</b>	Rev <b>-1</b>
Date: Tuesday, March 20, 2007		Sheet 6 of 78



<Variant Name>

 <b>Wistron Corporation</b> 21F, 88, Sec.1, Hsin Tai Wu Rd., Hsichih, Taipei Hsien 221, Taiwan, R.O.C.	
<b>VCCCPUCORE DECOUPLING</b>	
Title Size A4	Document Number <b>KS note-3</b>
Date: Tuesday, March 20, 2007	Rev <b>-1</b>
Sheet 7 of 78	Date: Tuesday, March 20, 2007

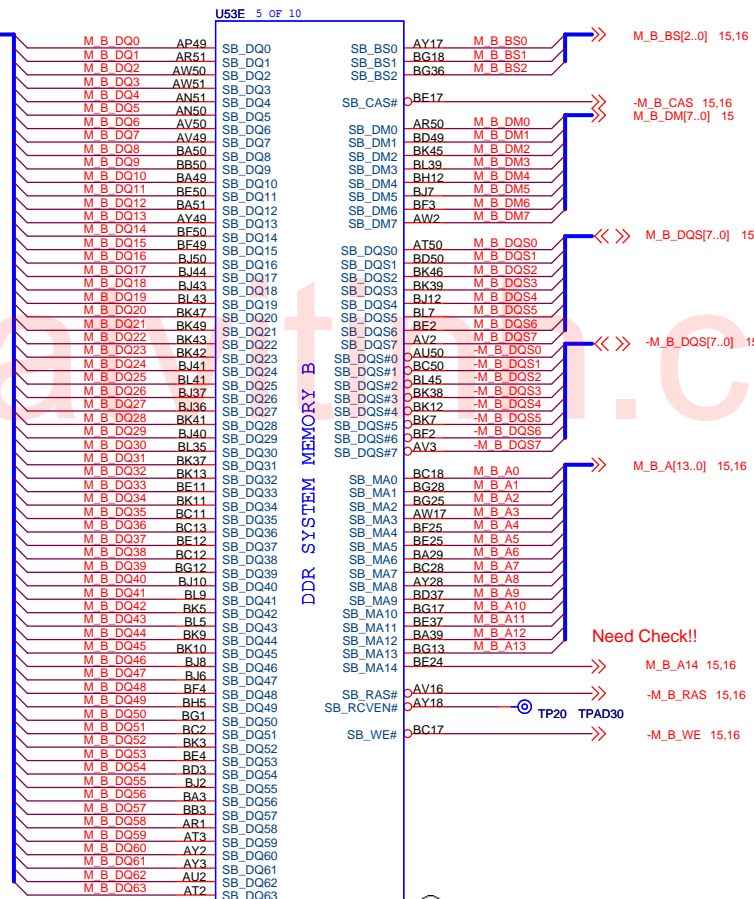
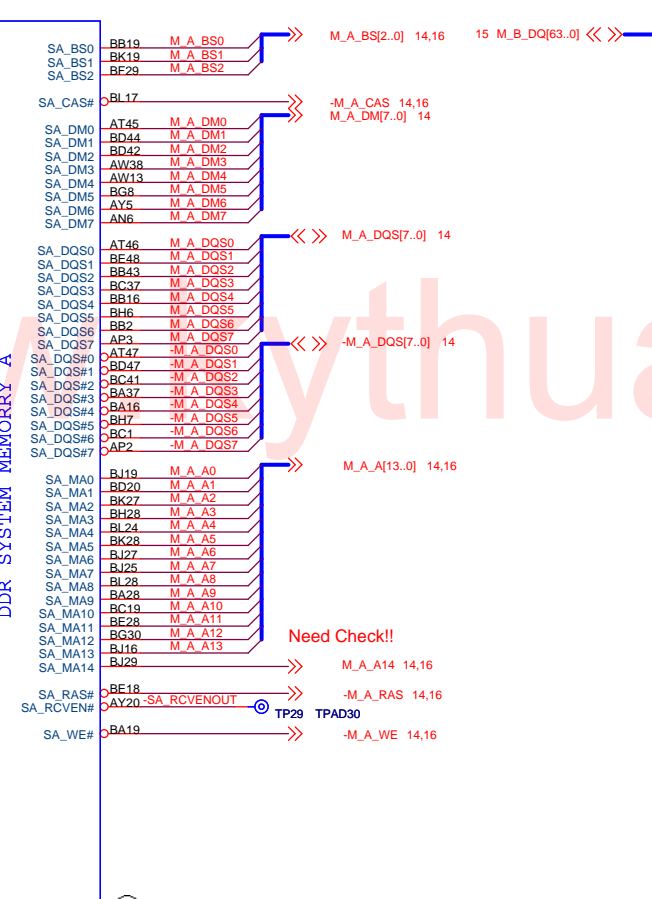
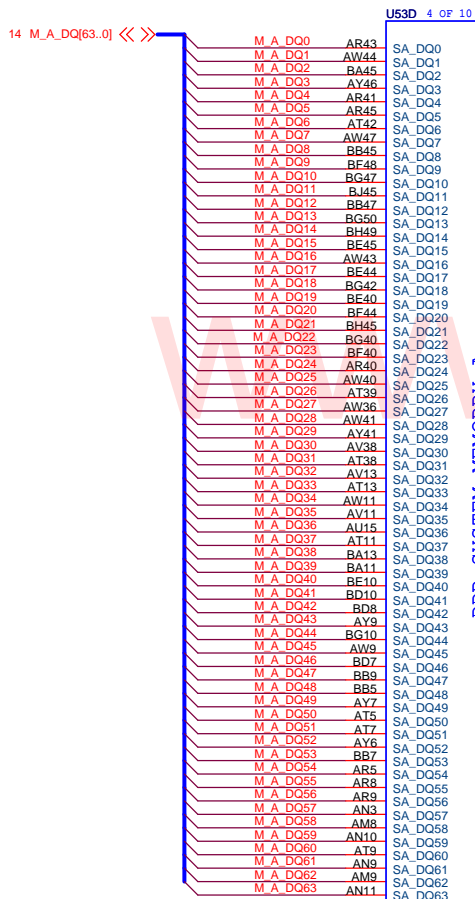
www.kythsavitinh.com



Route H\_XSWING & H\_YSWING  
10 mil wide / 20 mil spacing

Route H\_XRCOMP &  
H\_YRCOMP 10 mil wide /  
20 mil spacing





CRESTLINE-GP-U

CRESTLINE-GP-U

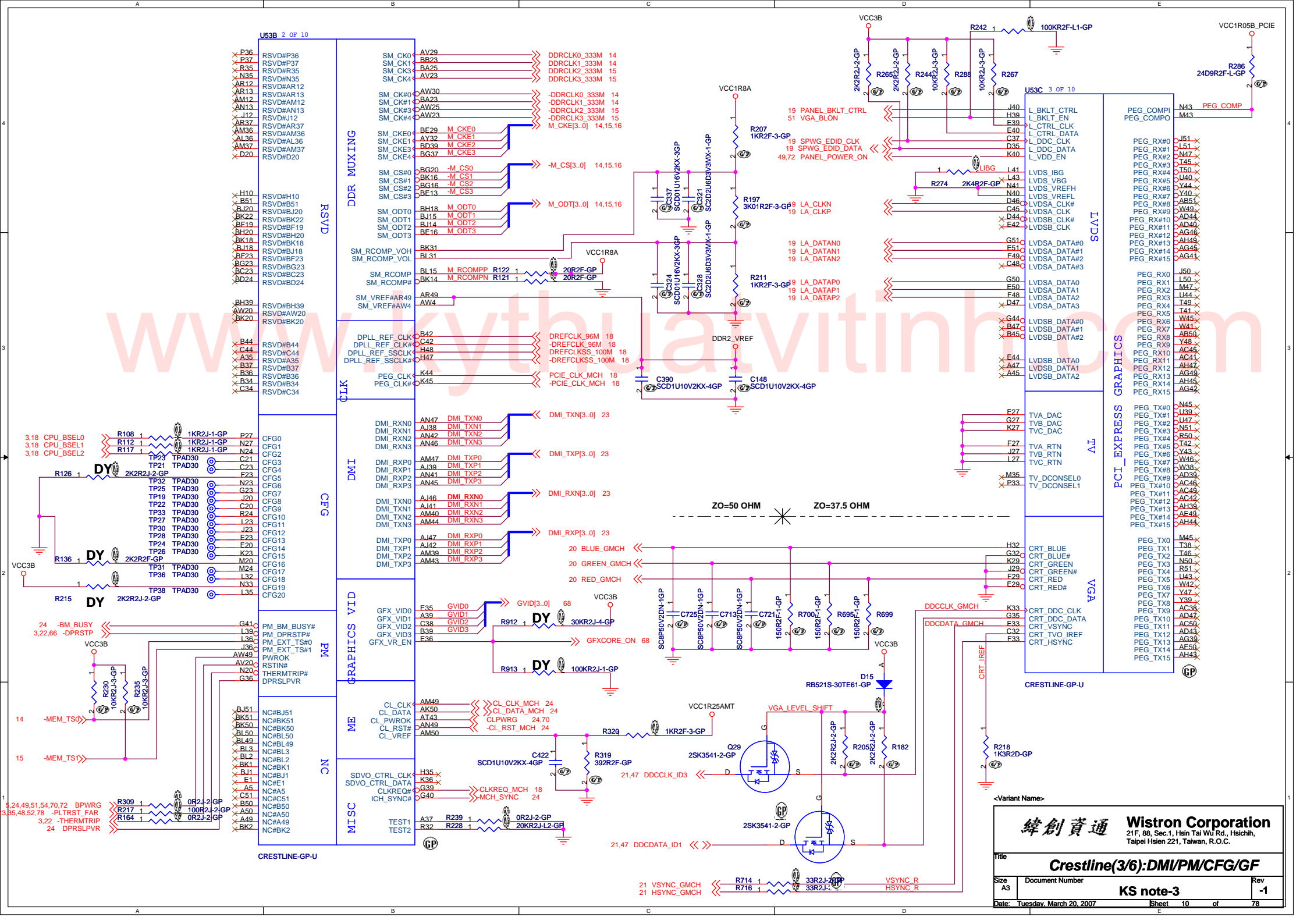
<Variant Name>

**緯創資通** Wistron Corporation  
21F, 88, Sec.1, Hsin Tai Wu Rd., Hsichih, Taipei Hsien 221, Taiwan, R.O.C.

Title: **Crestline(2/6):DDR2**

Size: A3 Document Number: **KS note-3** Rev: -1

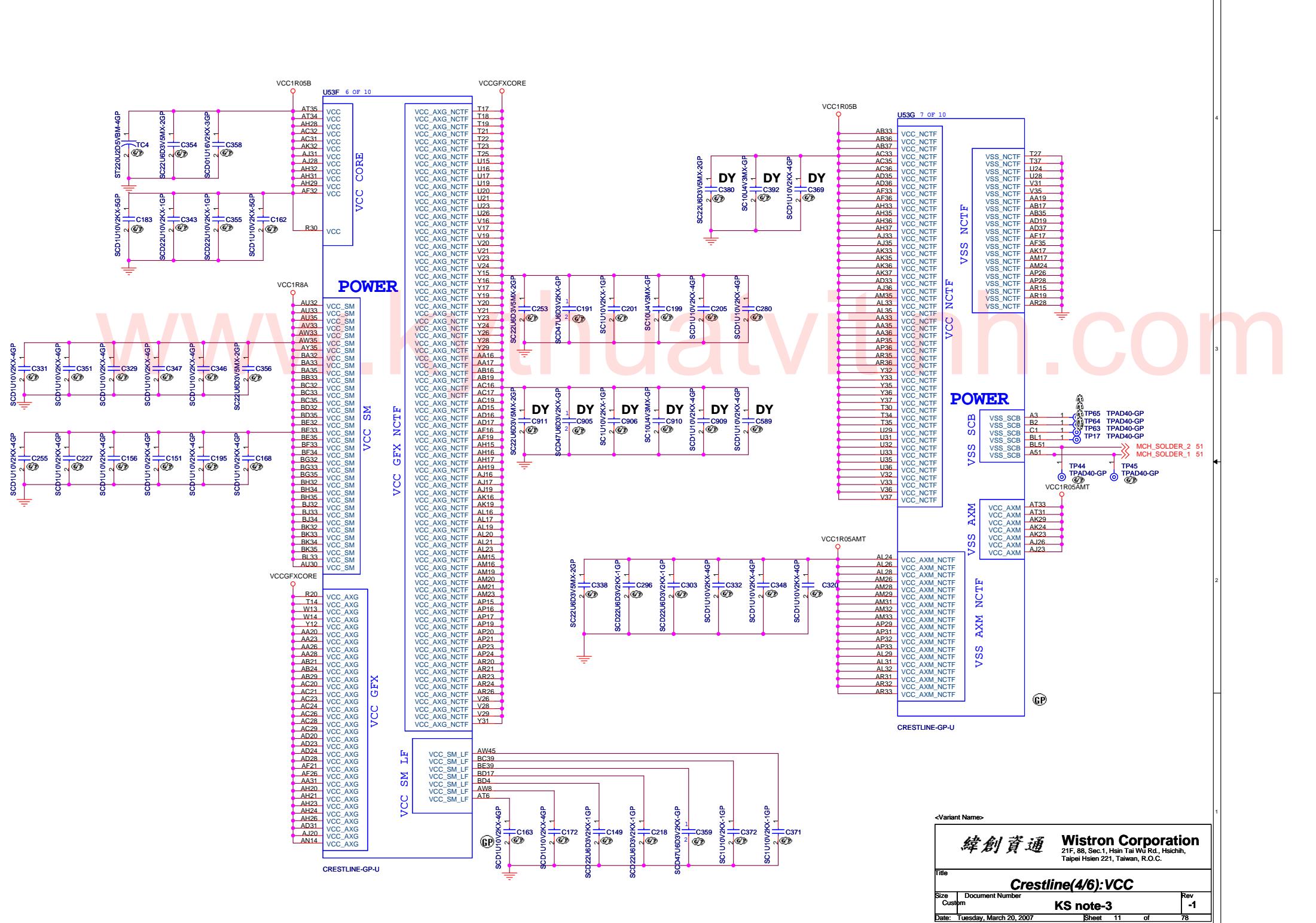
Date: Tuesday, March 20, 2007 Sheet 9 of 78



<Variant Name>

**緯創資通 Wistron Corporation**  
 21F, 88, Sec.1, Hsin Tai Wu Rd., Hsichih,  
 Taipei Hsien 221, Taiwan, R.O.C.

<b>Crestline(3/6):DMI/PM/CFG/GF</b>		
Title		
Size	Document Number	Rev
A3		-1
<b>KS note-3</b>		
Date: Tuesday, March 20, 2007	Sheet 10	of 78



<Variant Name>

**緯創資通 Wistron Corporation**  
 21F, 88, Sec.1, Hsin Tai Wu Rd., Hsichih,  
 Taipei Hsien 221, Taiwan, R.O.C.

Title: **Crestline(4/6):VCC**

Size	Document Number	Rev
Custom	<b>KS note-3</b>	-1
Date: Tuesday, March 20, 2007	Sheet 11 of 78	



U53I 9 OF 10

A13	VSS	VSS	AW24
A15	VSS	VSS	AW29
A17	VSS	VSS	AW32
A24	VSS	VSS	AW6
AA21	VSS	VSS	AW7
AA24	VSS	VSS	AY10
AA29	VSS	VSS	AY24
AB20	VSS	VSS	AY37
AB23	VSS	VSS	AY42
AB26	VSS	VSS	AY43
AB28	VSS	VSS	AY45
AB31	VSS	VSS	AY47
AC10	VSS	VSS	AY50
AC13	VSS	VSS	B10
AC3	VSS	VSS	B20
AC39	VSS	VSS	B24
AC43	VSS	VSS	B29
AC47	VSS	VSS	B30
AD1	VSS	VSS	B35
AD21	VSS	VSS	B38
AD26	VSS	VSS	B43
AD29	VSS	VSS	B46
AD3	VSS	VSS	B5
AD41	VSS	VSS	B8
AD45	VSS	VSS	BA1
AD49	VSS	VSS	BA17
AD5	VSS	VSS	BA18
AD50	VSS	VSS	BA2
AD8	VSS	VSS	BA24
AE10	VSS	VSS	BE12
AE14	VSS	VSS	BE25
AE6	VSS	VSS	BB40
AF20	VSS	VSS	BB44
AF23	VSS	VSS	BB49
AF24	VSS	VSS	BB8
AF31	VSS	VSS	BC18
AG2	VSS	VSS	BC24
AG38	VSS	VSS	BC25
AG43	VSS	VSS	BC36
AG47	VSS	VSS	BC40
AG50	VSS	VSS	BC51
AH3	VSS	VSS	BD13
AH40	VSS	VSS	BD2
AH41	VSS	VSS	BD28
AH7	VSS	VSS	BD45
AH9	VSS	VSS	BD48
AJ11	VSS	VSS	BD5
AJ13	VSS	VSS	BE1
AJ21	VSS	VSS	BE19
AJ24	VSS	VSS	BE23
AJ29	VSS	VSS	BE30
AJ32	VSS	VSS	BE42
AJ43	VSS	VSS	BE51
AJ45	VSS	VSS	BE8
AJ49	VSS	VSS	BF12
AK20	VSS	VSS	BF16
AK21	VSS	VSS	BF36
AK26	VSS	VSS	BG19
AK28	VSS	VSS	BG2
AK31	VSS	VSS	BG24
AK51	VSS	VSS	BG29
AL1	VSS	VSS	BG39
AM11	VSS	VSS	BG48
AM13	VSS	VSS	BG5
AM3	VSS	VSS	BG51
AM4	VSS	VSS	BH17
AM41	VSS	VSS	BH30
AM45	VSS	VSS	BH44
AN1	VSS	VSS	BH46
AN38	VSS	VSS	BH8
AN39	VSS	VSS	BJ11
AN43	VSS	VSS	BJ13
AN5	VSS	VSS	BJ38
AN7	VSS	VSS	BJ4
AP4	VSS	VSS	BJ42
AP48	VSS	VSS	BJ46
AP50	VSS	VSS	BK15
AR11	VSS	VSS	BK17
AR2	VSS	VSS	BK25
AR39	VSS	VSS	BK29
AR44	VSS	VSS	BK36
AR47	VSS	VSS	BK40
AR7	VSS	VSS	BK44
AT10	VSS	VSS	BK6
AT14	VSS	VSS	BK8
AT41	VSS	VSS	BL11
AT49	VSS	VSS	BL13
AU11	VSS	VSS	BL19
AU23	VSS	VSS	BL22
AU29	VSS	VSS	BL37
AU3	VSS	VSS	BL47
AU36	VSS	VSS	C12
AU49	VSS	VSS	C16
AU51	VSS	VSS	C19
AV39	VSS	VSS	C28
AV48	VSS	VSS	C29
AW1	VSS	VSS	C33
AW12	VSS	VSS	C36
AW16	VSS	VSS	C41

CRESTLINE-GP-U

U53J10 OF 10

C46	VSS	VSS	W11
C50	VSS	VSS	W39
C7	VSS	VSS	W43
D13	VSS	VSS	W47
D24	VSS	VSS	W5
D3	VSS	VSS	W7
D32	VSS	VSS	Y13
D39	VSS	VSS	Y2
D45	VSS	VSS	Y41
D46	VSS	VSS	Y45
E10	VSS	VSS	Y49
E16	VSS	VSS	Y5
E24	VSS	VSS	Y50
E28	VSS	VSS	Y11
E32	VSS	VSS	P29
E47	VSS	VSS	T29
F19	VSS	VSS	T31
F36	VSS	VSS	T33
F4	VSS	VSS	R28
F40	VSS	VSS	
F50	VSS	VSS	
G1	VSS	VSS	
G13	VSS	VSS	
G16	VSS	VSS	
G19	VSS	VSS	AA32
G24	VSS	VSS	AB32
G28	VSS	VSS	AD32
G29	VSS	VSS	AF28
G34	VSS	VSS	AF29
G42	VSS	VSS	AT27
G45	VSS	VSS	AV25
G48	VSS	VSS	H50
G8	VSS	VSS	
H24	VSS	VSS	
H28	VSS	VSS	
H4	VSS	VSS	
H45	VSS	VSS	
J11	VSS	VSS	
J16	VSS	VSS	
J2	VSS	VSS	
J24	VSS	VSS	
J28	VSS	VSS	
J32	VSS	VSS	
J35	VSS	VSS	
J39	VSS	VSS	
K12	VSS	VSS	
K47	VSS	VSS	
K8	VSS	VSS	
L4	VSS	VSS	
L17	VSS	VSS	
L20	VSS	VSS	
L24	VSS	VSS	
L28	VSS	VSS	
L3	VSS	VSS	
L33	VSS	VSS	
L49	VSS	VSS	
M28	VSS	VSS	
M42	VSS	VSS	
M46	VSS	VSS	
M49	VSS	VSS	
M5	VSS	VSS	
M50	VSS	VSS	
M9	VSS	VSS	
N11	VSS	VSS	
N14	VSS	VSS	
N17	VSS	VSS	
N29	VSS	VSS	
N32	VSS	VSS	
N36	VSS	VSS	
N39	VSS	VSS	
N44	VSS	VSS	
N49	VSS	VSS	
N7	VSS	VSS	
P19	VSS	VSS	
P2	VSS	VSS	
P23	VSS	VSS	
P3	VSS	VSS	
P50	VSS	VSS	
R49	VSS	VSS	
T39	VSS	VSS	
T43	VSS	VSS	
T47	VSS	VSS	
U41	VSS	VSS	
U45	VSS	VSS	
U50	VSS	VSS	
V2	VSS	VSS	
V3	VSS	VSS	

CRESTLINE-GP-U

vss

www.kthua.com

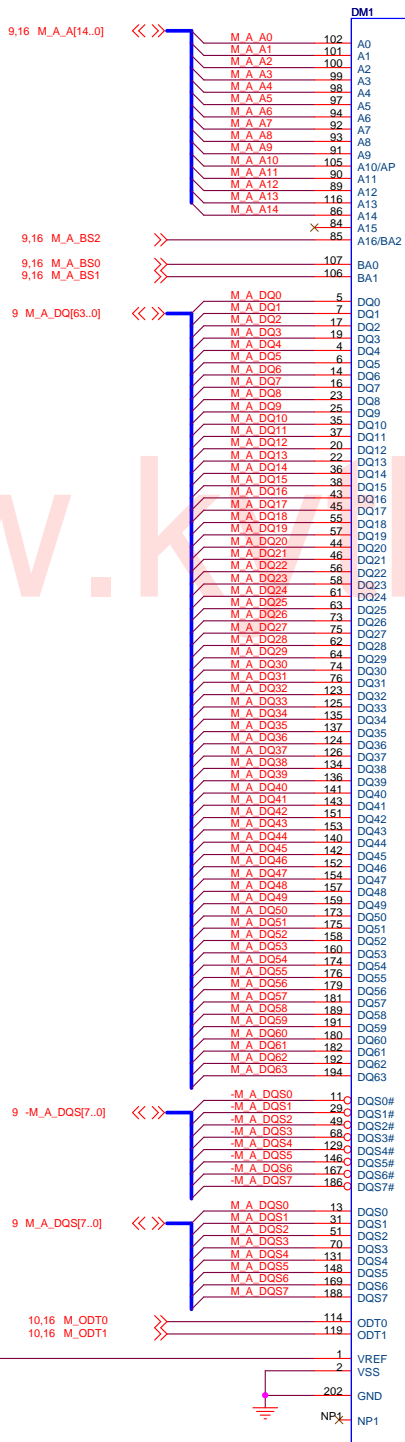
<Variant Name>

**緯創資通** **Wistron Corporation**  
 21F, 88, Sec.1, Hsin Tai Wu Rd., Hsichih,  
 Taipei Hsien 221, Taiwan, R.O.C.

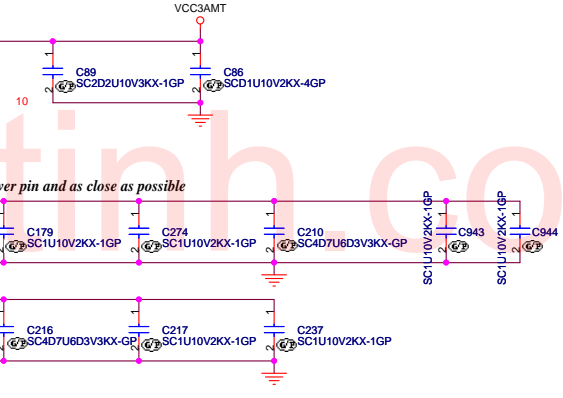
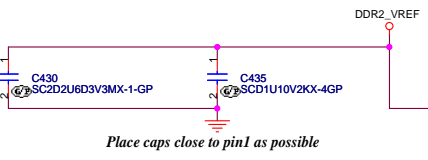
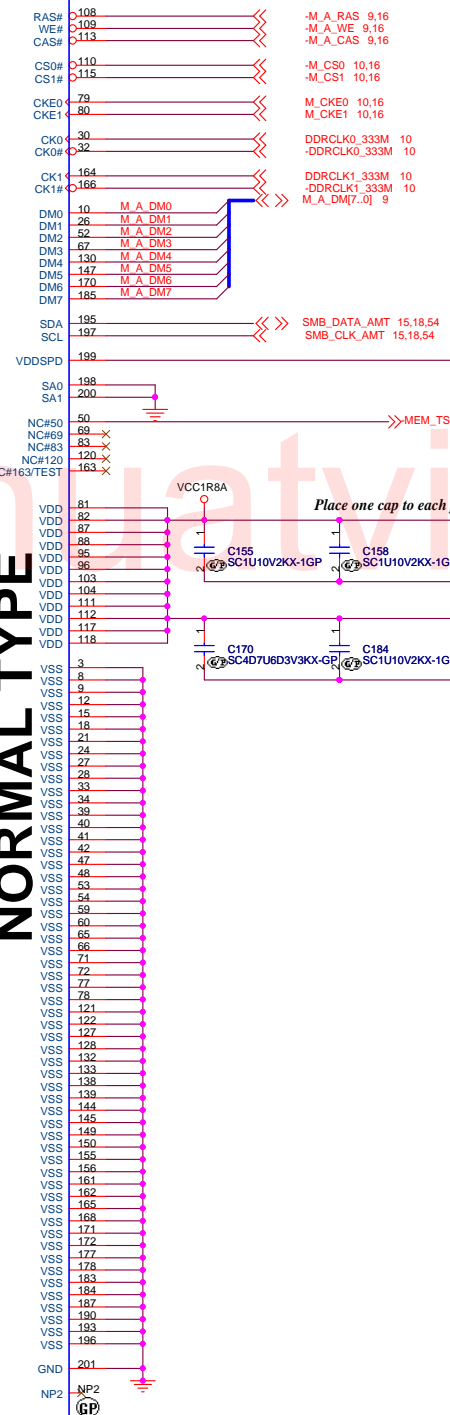
Title: **Crestline(6/6):GND**

Size: A3 Document Number: **KS note-3** Rev: -1

Date: Tuesday, March 20, 2007 Sheet 13 of 78



**NORMAL TYPE**



1st: 62.10017.C01 (Foxconn)  
2nd: 62.10017.B71 (AMP)

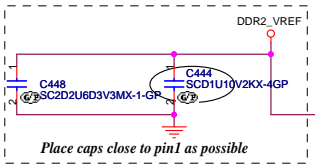
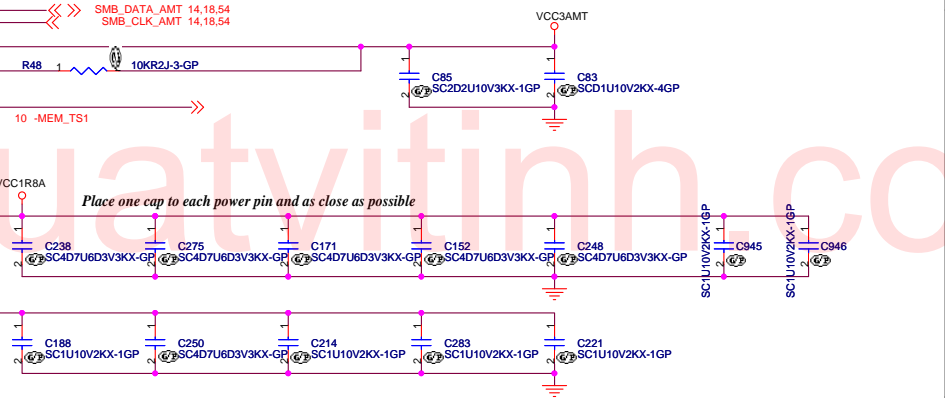
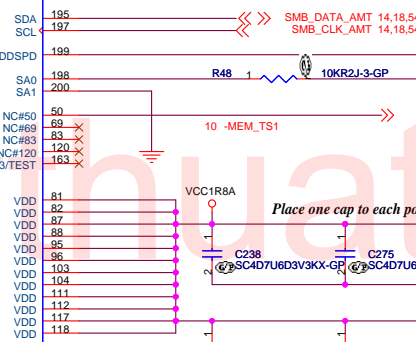
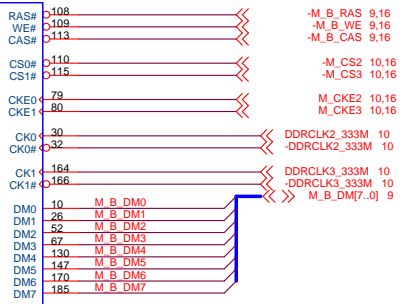
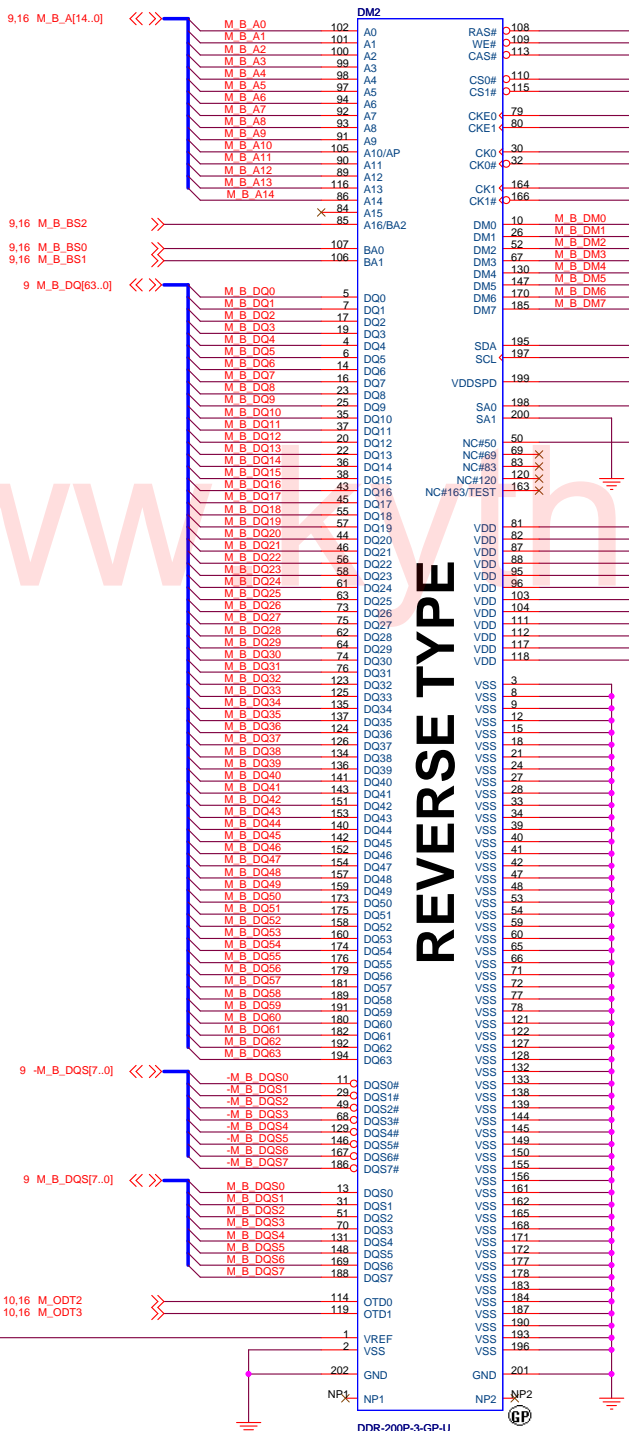
<Variant Name>

**緯創資通 Wistron Corporation**  
21F, 88, Sec.1, Hsin Tai Wu Rd., Haichih, Taipei Hsien 221, Taiwan, R.O.C.

Title: **DDR2 SODIMM-A (NORMAL TYPE)**

Size	Document Number	Rev
Custom	<b>KS note-3</b>	-1

Date: Tuesday, March 20, 2007 Sheet 14 of 78



1st: 62.10017.B91 (Foxconn)  
 2nd: 62.10017.B81 (AMP)

<-Variant Name->

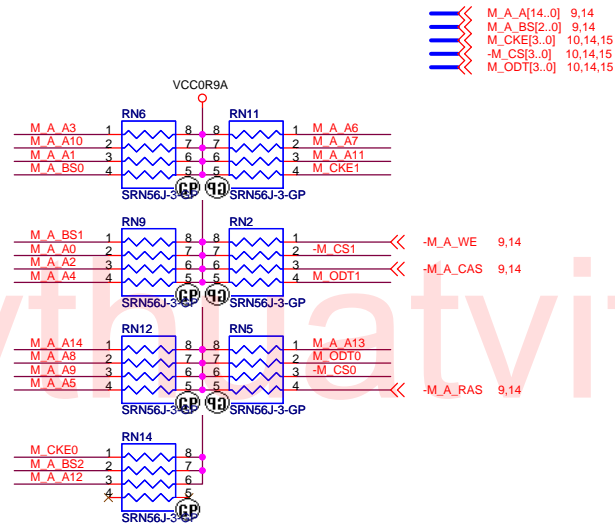
**緯創資通 Wistron Corporation**  
 21F, 88, Sec.1, Hsin Tai Wu Rd., Hsichih,  
 Taipei Hsien 221, Taiwan, R.O.C.

Title: **DDR2 SODIMM-B (REVERSE TYPE)**

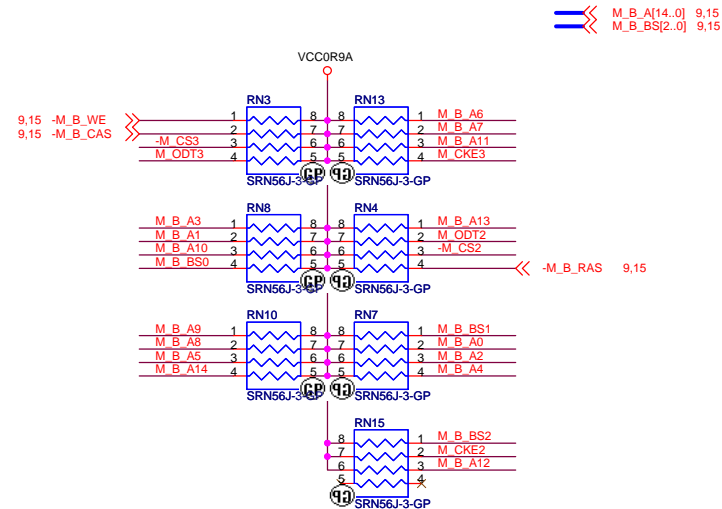
Size: Custom Document Number: KS note-3 Rev: -1

Date: Tuesday, March 20, 2007 Sheet 15 of 78

## CHANNEL A PARALLEL TERMINATION



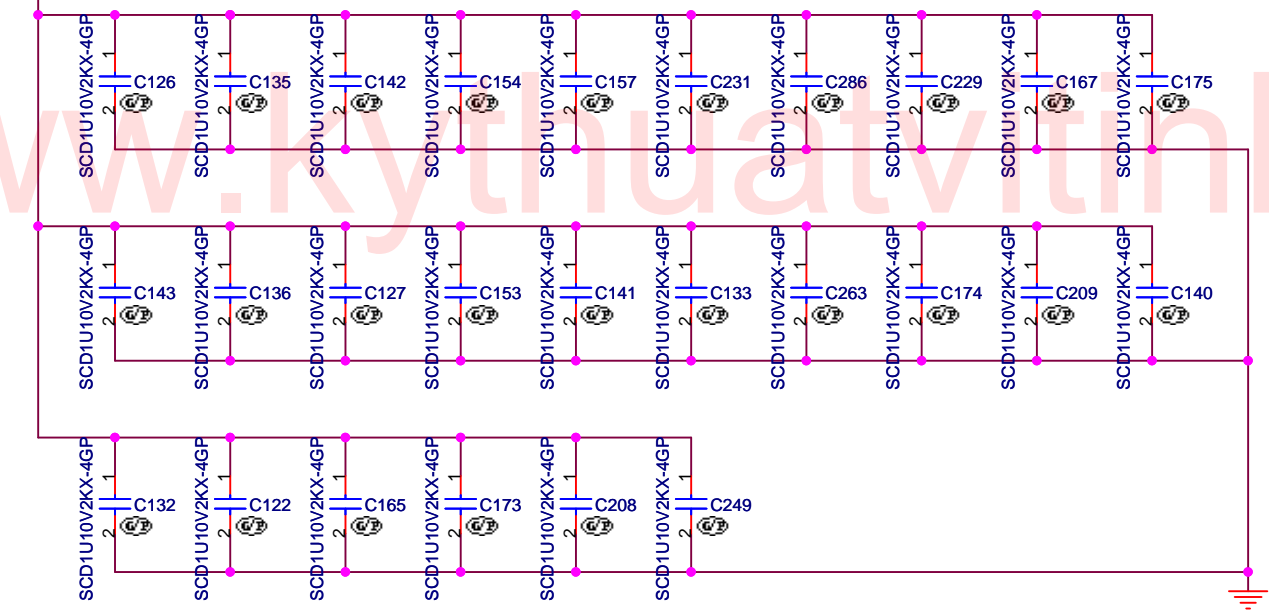
## CHANNEL B PARALLEL TERMINATION





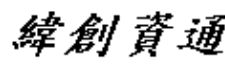
VCC0R9A

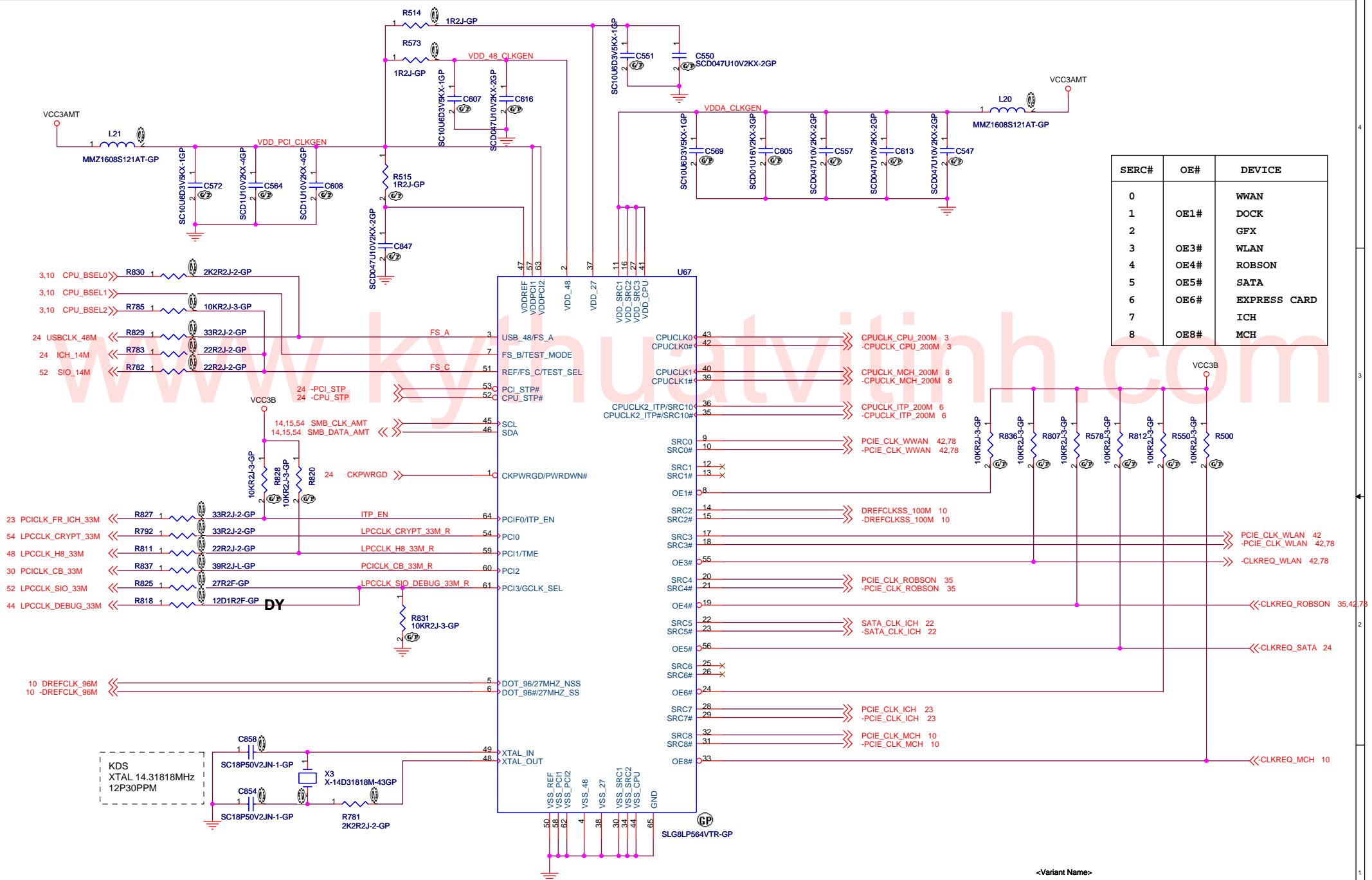
**PLACE 1 CAP FOR EVERY 2 BITS TERMINATION TO VCC0R9B.**



www.kytriatvith.com

<Variant Name>

 <b>Wistron Corporation</b> 21F, 88, Sec.1, Hsin Tai Wu Rd., Hsichih, Taipei Hsien 221, Taiwan, R.O.C.	
<b>DDR-2 DECOUPLING</b>	
Size A4	Document Number <b>KS note-3</b>
Date: Tuesday, March 20, 2007	Rev -1
Sheet 17 of 78	



SERC#	OE#	DEVICE
0		WWAN
1	OE1#	DOCK
2		GFX
3	OE3#	WLAN
4	OE4#	ROBSON
5	OE5#	SATA
6	OE6#	EXPRESS CARD
7		ICH
8	OE8#	MCH

[Source Cadicate]		
ICS	ICS9LPRS319DKLFT	71.09319.003
SILEGO	SLG8LP564VTR	71.08564.003

ICS => SV Only  
SILEGO => SV & LV

<Variant Name>

**緯創資通 Wistron Corporation**  
21F, 88, Sec.1, Hsin Tai Wu Rd., Hsichih, Taipei Hsien 221, Taiwan, R.O.C.

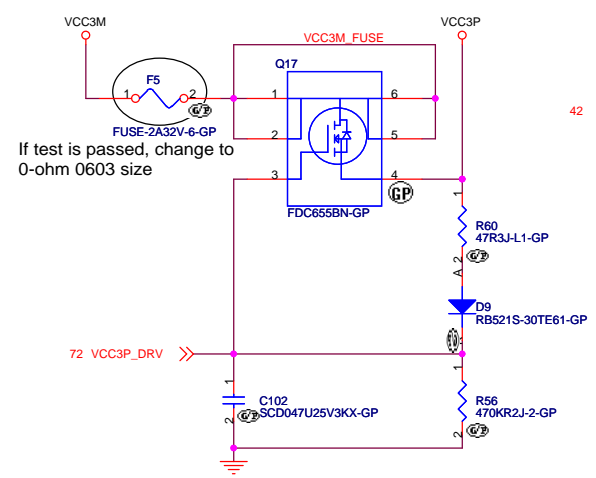
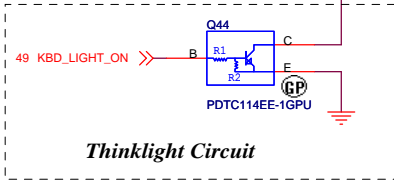
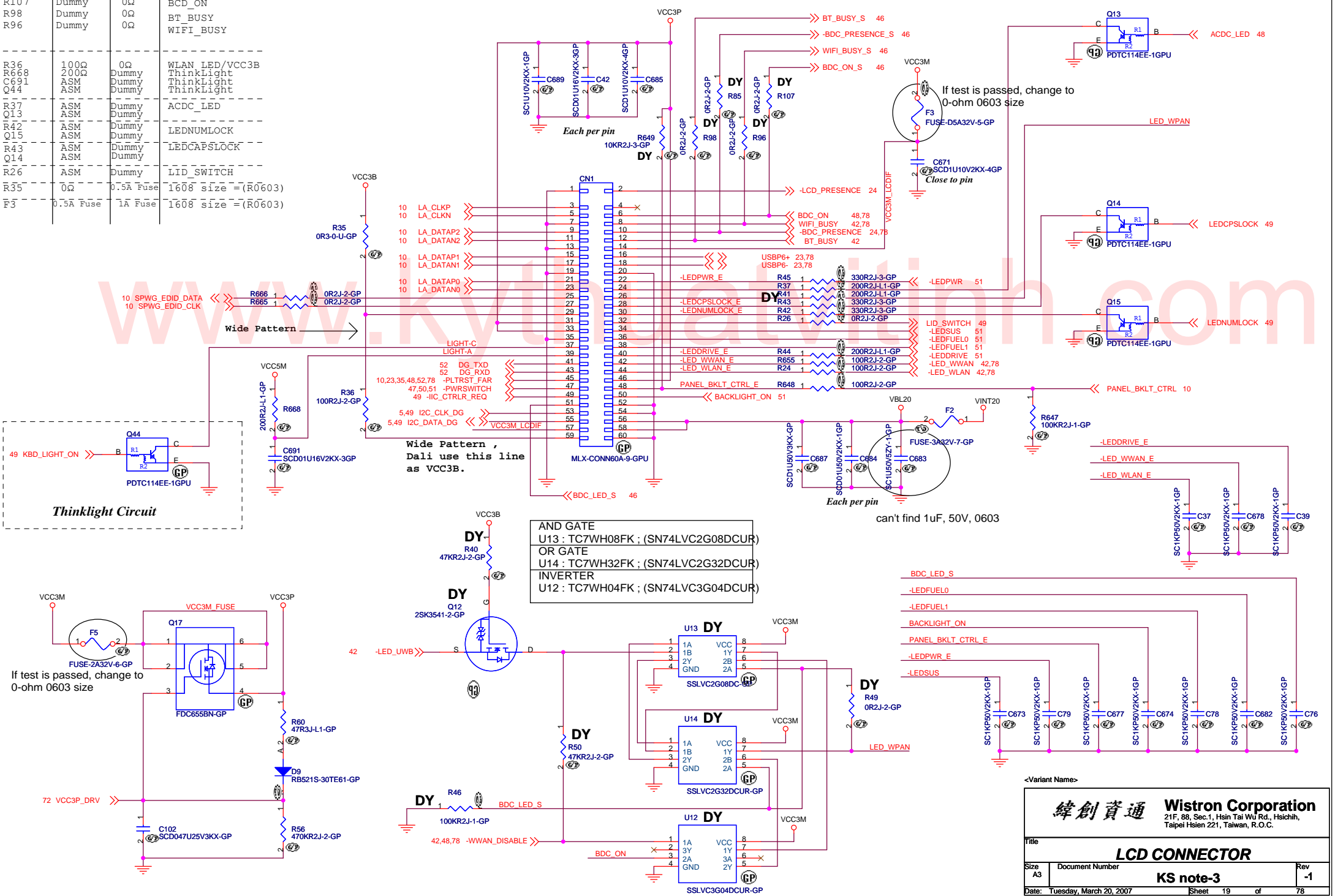
Title: **CLOCK GEN(CK505)**

Size A3 Document Number **KS note-3** Rev -1

Date: Tuesday, March 20, 2007 Sheet 18 of 78

# LCD / Inverter Connector

Place	Ks-3	Dali-2	Function
R85	Dummy	0Ω	-BDC_PRESENCE
R107	Dummy	0Ω	BCD_ON
R98	Dummy	0Ω	BT_BUSY
R96	Dummy	0Ω	WIFI_BUSY
R36	100Ω	0Ω	WLAN_LED/VCC3B
R668	200Ω	Dummy	ThinkLight
C691	ASM	Dummy	ThinkLight
Q44	ASM	Dummy	ThinkLight
R37	ASM	Dummy	ACDC_LED
Q13	ASM	Dummy	ACDC_LED
R42	ASM	Dummy	LEDNUMLOCK
Q15	ASM	Dummy	LEDNUMLOCK
R43	ASM	Dummy	LEDCAPSLOCK
Q14	ASM	Dummy	LEDCAPSLOCK
R26	ASM	Dummy	LID_SWITCH
R35	0Ω	0.5A Fuse	1608 size =(R0603)
F3	0.5A Fuse	1A Fuse	1608 size =(R0603)



AND GATE  
U13 : TC7WH08FK ; (SN74LVC2G08DCUR)  
OR GATE  
U14 : TC7WH32FK ; (SN74LVC2G32DCUR)  
INVERTER  
U12 : TC7WH04FK ; (SN74LVC3G04DCUR)

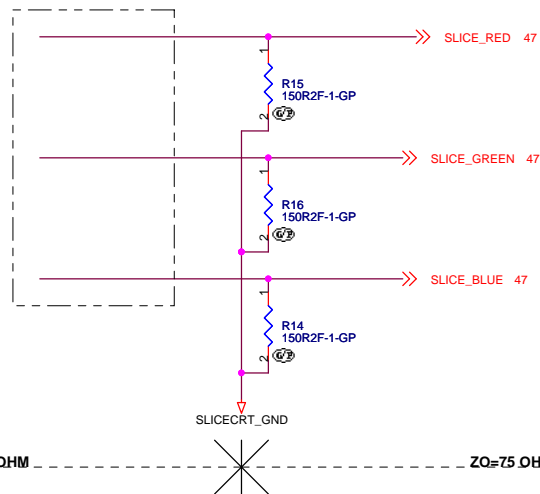
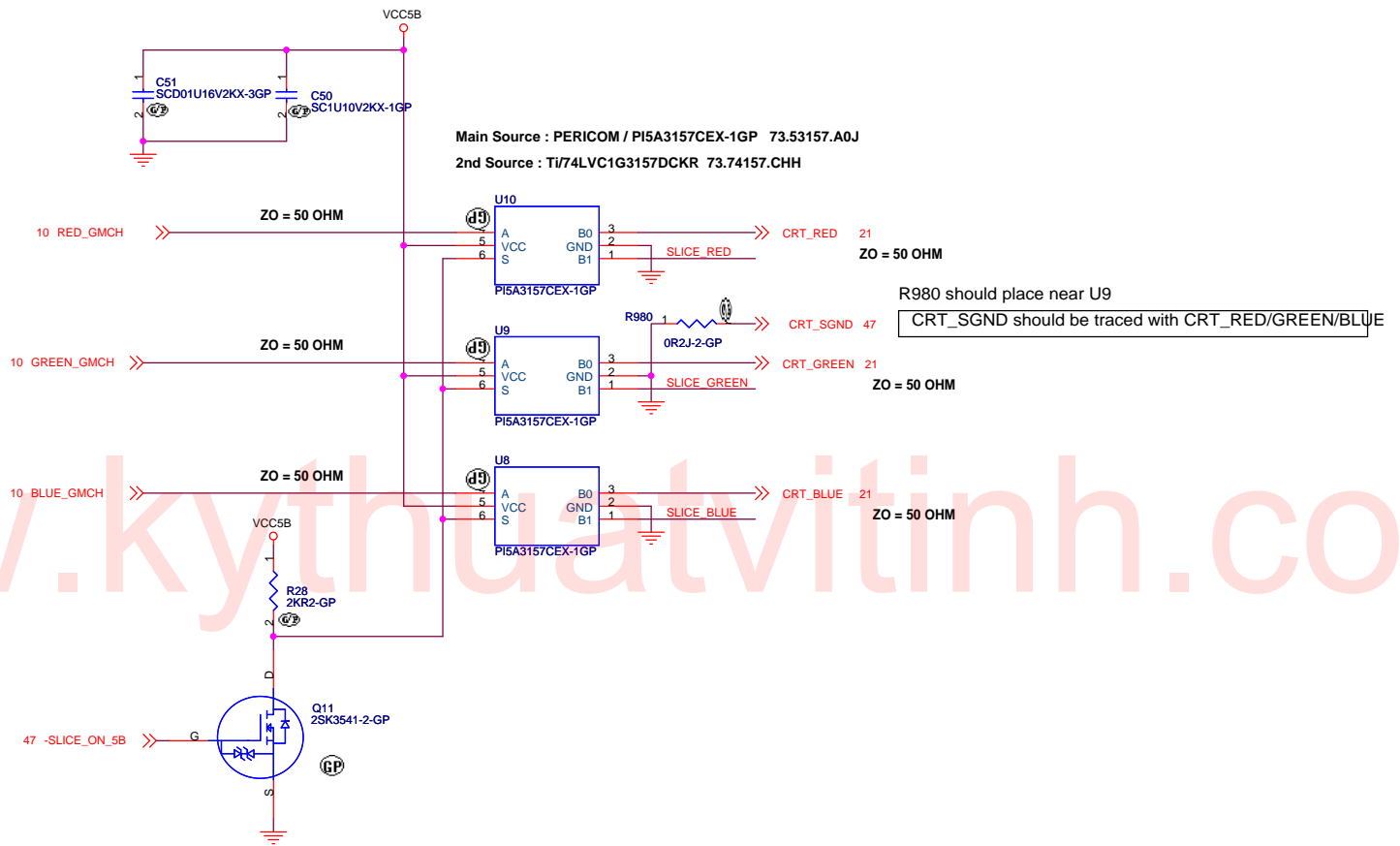
<Variant Name>

**緯創資通 Wistron Corporation**  
21F, 88, Sec.1, Hsin Tai Wu Rd., Hsichih, Taipei Hsien 221, Taiwan, R.O.C.

Title: **LCD CONNECTOR**

Size: A3 Document Number: **KS note-3** Rev: -1

Date: Tuesday, March 20, 2007 Sheet 19 of 78

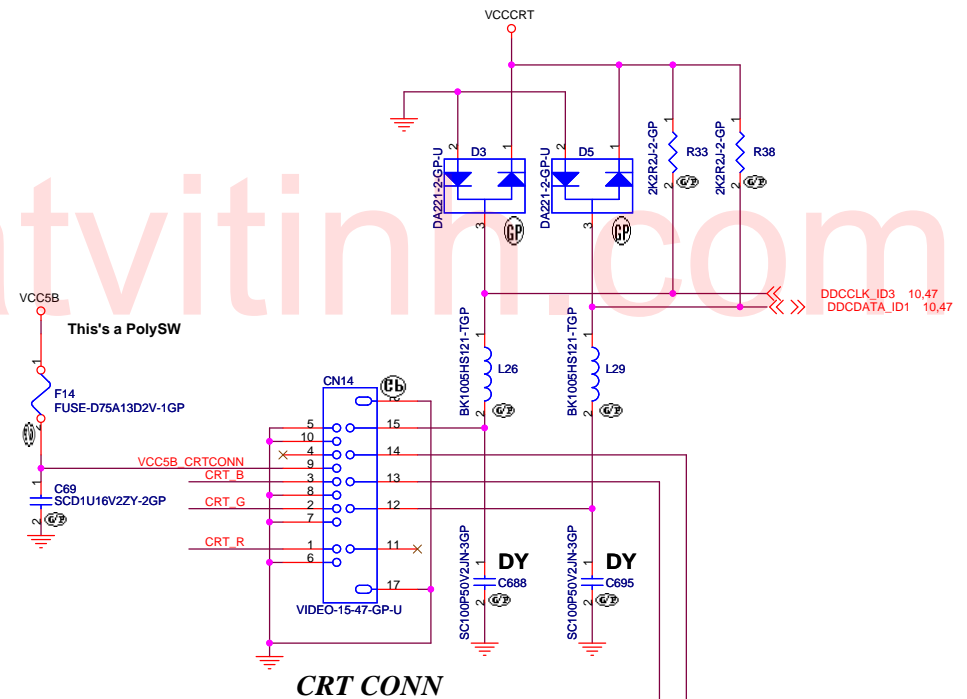
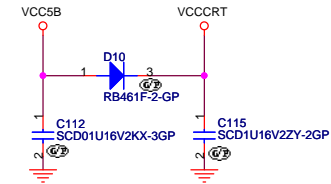
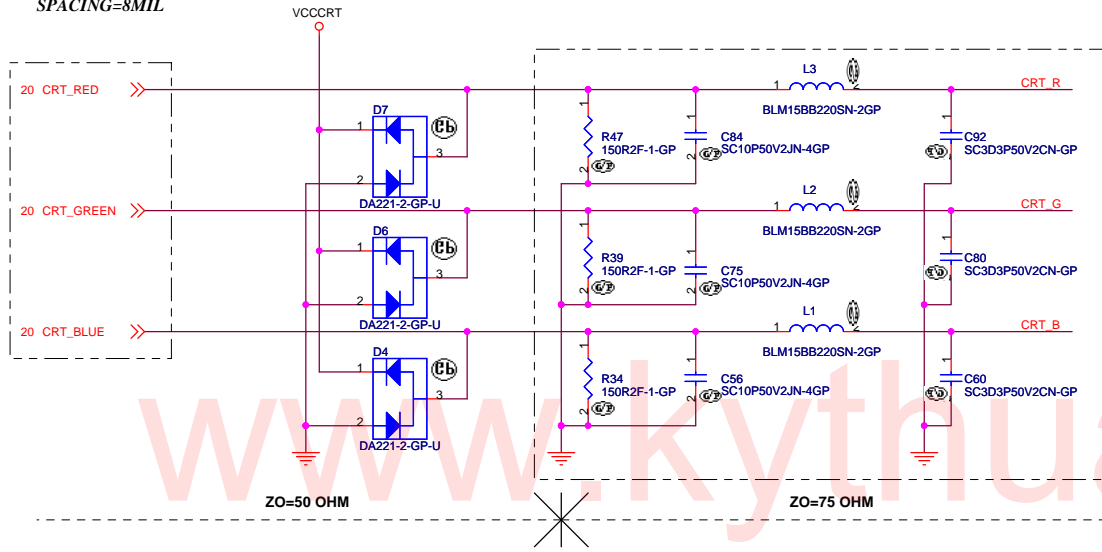


----- ZO=50.OHM ----- X ----- ZO=75 OHM -----

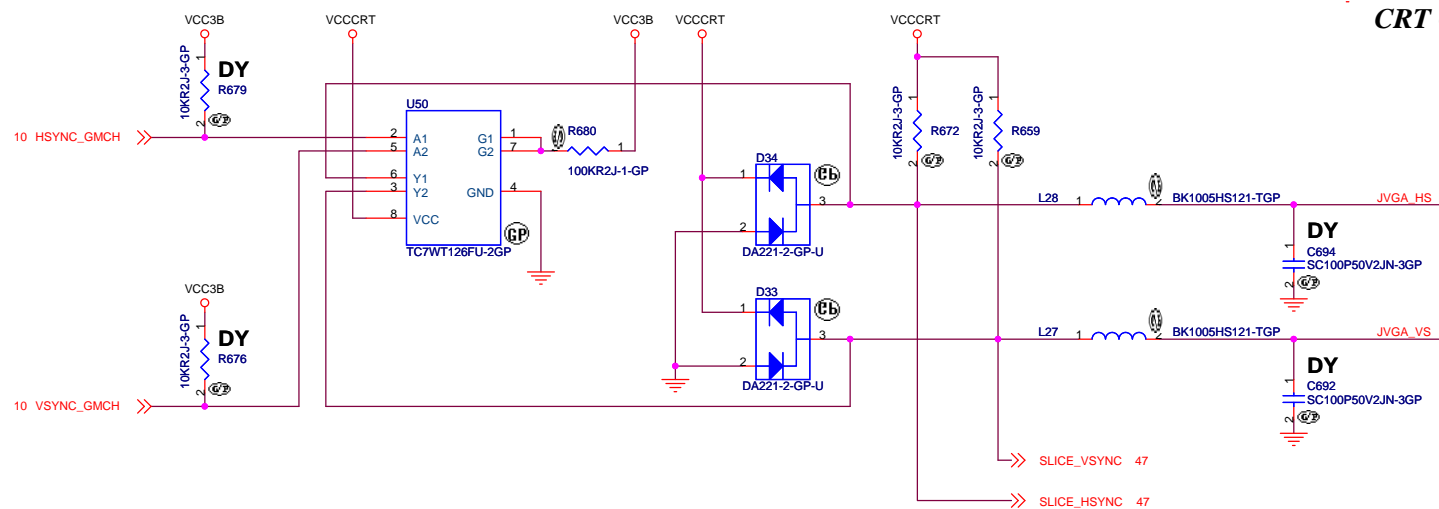
www.kythatvith.com

<Variant Name>		
<b>緯創資通</b>		<b>Wistron Corporation</b>
<small>21F, 88, Sec.1, Hsin Tai WJ Rd., Hsichih, Taipei Hsien 221, Taiwan, R.O.C.</small>		
<b>Title</b>		
<b>CRT SELECTOR</b>		
Size A3	Document Number <b>KS note-3</b>	Rev -1
Date: Tuesday, March 20, 2007		
Sheet		78

GND GUARDING  
 EACH SIGNAL WIDTH DEPENDS ON ZO(TRACE IMPEDANCE)  
 SPACING=8MIL



CRT CONN



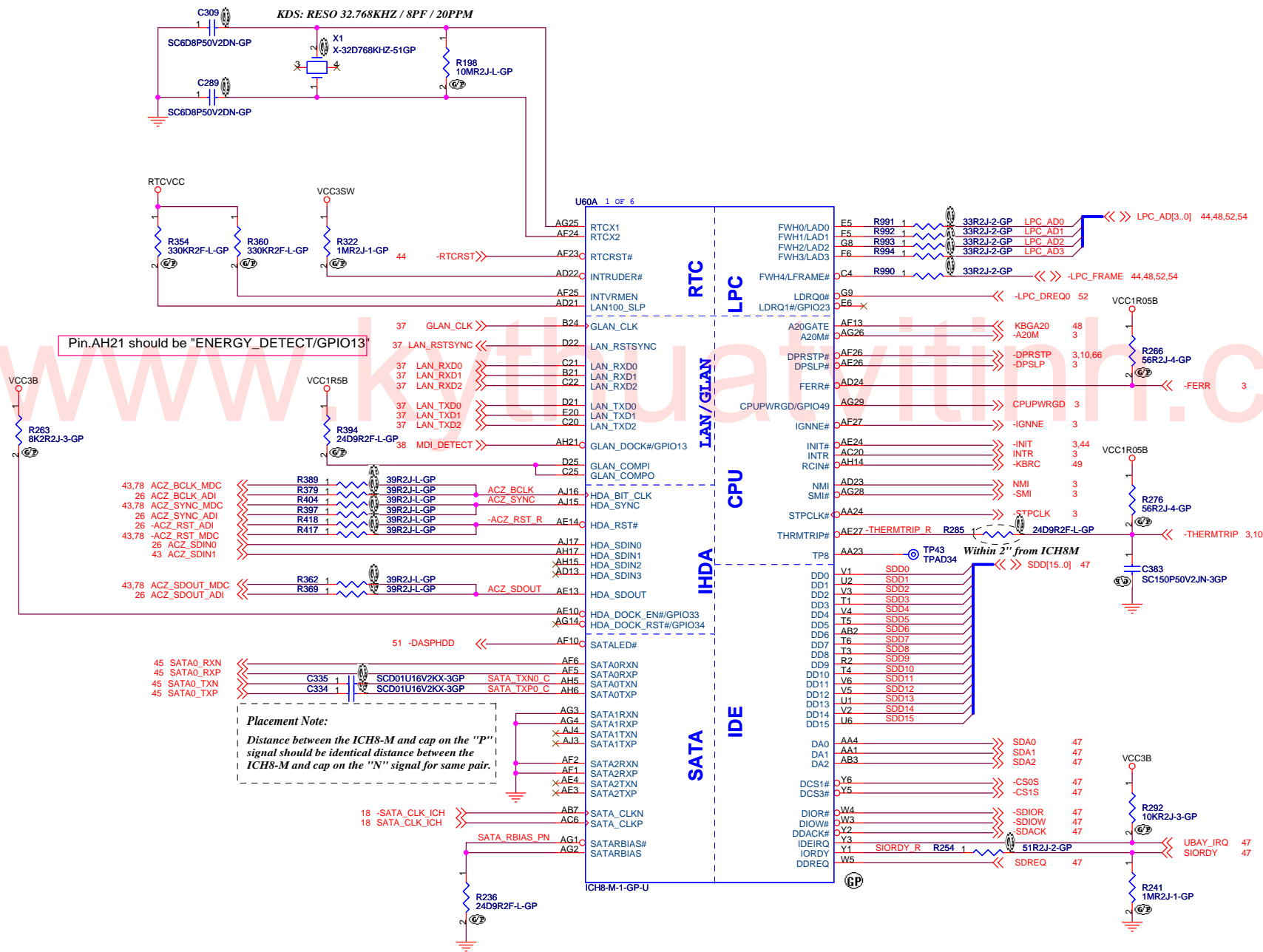
<Variant Name>

**緯創資通 Wistron Corporation**  
 21F, 88, Sec.1, Hsin Tai WJ Rd., Hsichih,  
 Taipei Hsien 221, Taiwan, R.O.C.

Title: **EXT CRT INTERFACE**

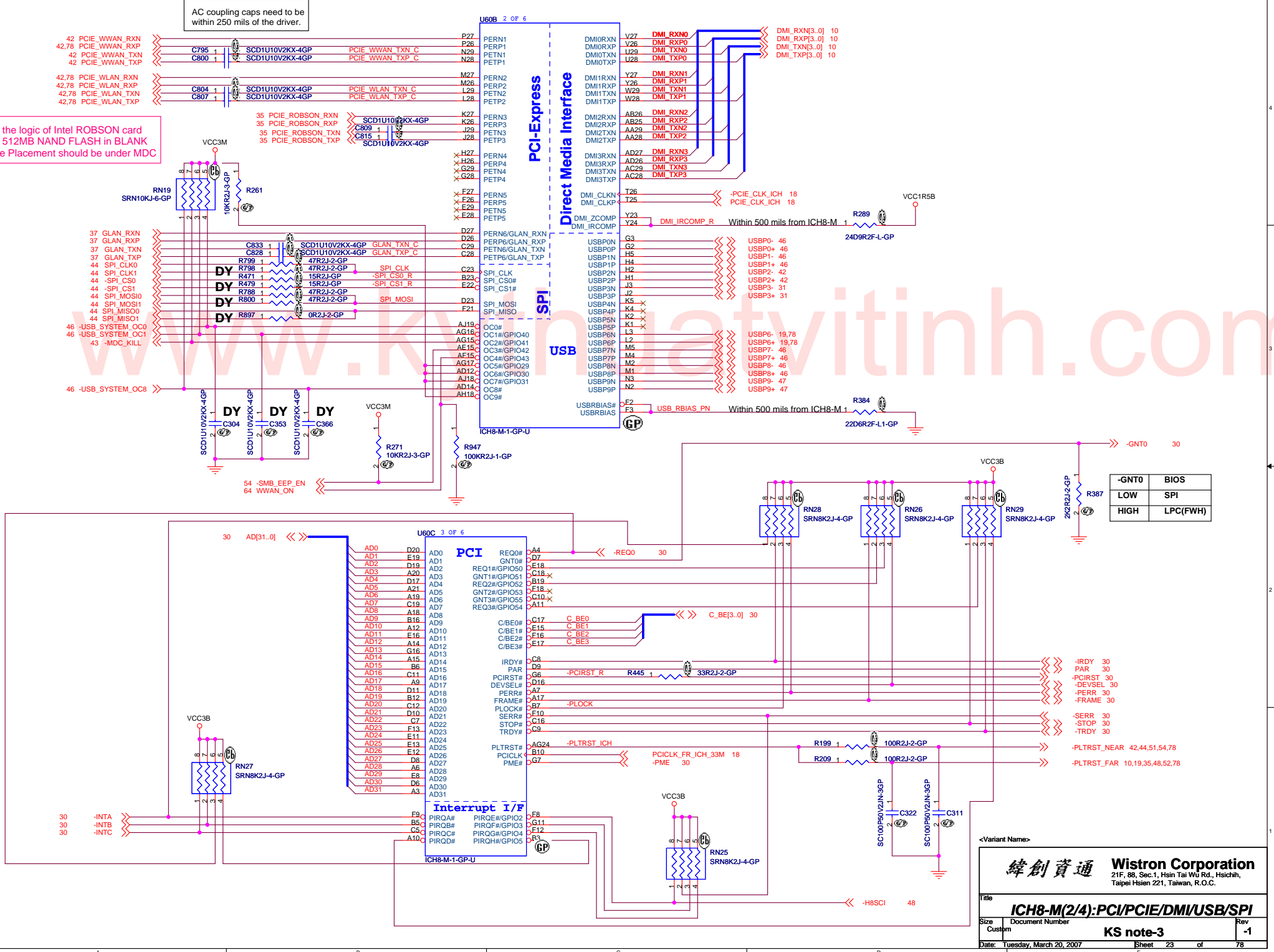
Size: A3	Document Number: <b>KS note-3</b>	Rev: -1
----------	-----------------------------------	---------

Date: Tuesday, March 20, 2007 Sheet 21 of 78



AC coupling caps need to be within 250 mils of the driver.

Add the logic of Intel ROBSON card with 512MB NAND FLASH in BLANK Page Placement should be under MDC



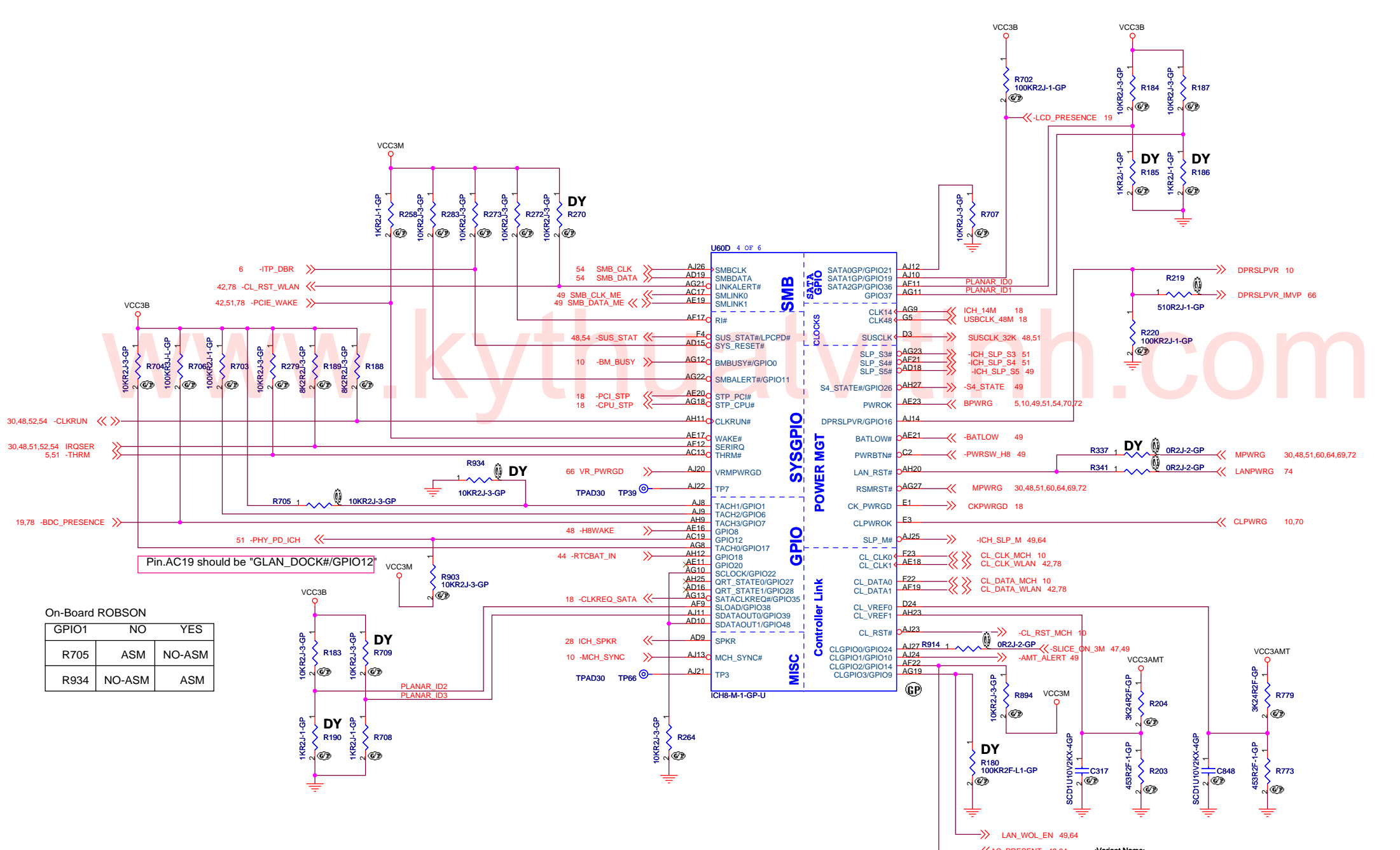
-GNT0	BIOS
LOW	SPI
HIGH	LPC(FWH)

**緯創資通 Wistron Corporation**  
21F, 88, Sec.1, Hsin Tai Wu Rd., Hsichih, Taipei Hsien 221, Taiwan, R.O.C.

Title: **ICH8-M(2/4):PCI/PCIE/DMI/USB/SPI**

Size: Custom Document Number: **KS note-3** Rev: **-1**

Date: Tuesday, March 20, 2007 Sheet 23 of 78



6 -ITP\_DBR >>  
 42.78 -CL\_RST\_WLAN <<  
 42.51.78 -PCIE\_WAKE >>

30.48.52.54 -CLKRUN <<  
 30.48.51.52.54 IROSER 5.51 -THRM >>

19.78 -BDC\_PRESENCE >>

On-Board ROBSON

GPIO1	NO	YES
R705	ASM	NO-ASM
R934	NO-ASM	ASM

Pin.AC19 should be "GLAN\_DOCK#/GPIO12"

U60D 4 OF 6

Signal	GPIO Pin	Function
SMBCLK	AJ26	SMB
SMBDATA	AJ27	SMB
LINKALERT#	AC19	SMB
SMLINK0	AC17	SMB
SMLINK1	AC18	SMB
RI#	AE17	SMB
SUS_STAT#/LPCPD#	F4	SYSGPIO
SYS_RESET#	AD15	SYSGPIO
BMBUSY#/GPIO0	AG12	SYSGPIO
SMBALERT#/GPIO11	AG22	SYSGPIO
STP_PCI#	AE20	GPIO
STP_CPU#	AG18	GPIO
CLKRUN#	AH11	GPIO
WAKE#	AE17	GPIO
SERIRQ	AE12	GPIO
THRM#	AC13	GPIO
VRMPWRGD	AJ20	GPIO
TP7	AJ22	GPIO
TACH1#/GPIO1	AJ8	GPIO
TACH2#/GPIO6	AJ9	GPIO
TACH3#/GPIO7	AH9	GPIO
GPIO8	AE16	GPIO
GPIO12	AG8	GPIO
TACH0#/GPIO17	AH12	GPIO
GPIO18	AE11	GPIO
GPIO20	AG10	GPIO
SCLOCK#/GPIO22	AH25	GPIO
QRT_STATE0#/GPIO27	AD16	GPIO
QRT_STATE1#/GPIO28	AG13	GPIO
SATACLKREQ#/GPIO35	AF9	GPIO
SLOAD#/GPIO38	AJ11	GPIO
SDATAOUT0#/GPIO39	AD10	GPIO
SDATAOUT1#/GPIO48	AD10	GPIO
SPKR	AD9	GPIO
MCH_SYNC#	AJ13	GPIO
TP3	AJ21	GPIO

GPIO

Signal	GPIO Pin	Function
SATA0#/GPIO21	AJ12	GPIO
SATA1#/GPIO19	AJ10	GPIO
SATA2#/GPIO36	AG11	GPIO
GPIO37	AG9	GPIO
CLK14	G5	GPIO
CLK48	G5	GPIO
SUSCLK	D3	GPIO
SLP_S3#	AG23	GPIO
SLP_S4#	AE21	GPIO
SLP_S5#	AD18	GPIO
S4_STATE#/GPIO26	AH27	GPIO
PWROK	AE23	GPIO
DPRSLPVR#/GPIO16	AJ14	GPIO
BATLOW#	AE21	GPIO
PWRBTN#	C2	GPIO
LAN_RST#	AH20	GPIO
RSMRST#	AG27	GPIO
CK_PWRGD	E1	GPIO
CLPWROK	E3	GPIO
SLP_M#	AJ25	GPIO
CL_CLK0	F23	GPIO
CL_CLK1	AE18	GPIO
CL_DATA0	F22	GPIO
CL_DATA1	AE19	GPIO
CL_VREF0	D24	GPIO
CL_VREF1	AH23	GPIO
CL_RST#	AJ23	GPIO
CLGPIO0#/GPIO24	AJ27	GPIO
CLGPIO1#/GPIO10	AJ24	GPIO
CLGPIO2#/GPIO14	AE22	GPIO
CLGPIO3#/GPIO9	AG19	GPIO

MISC

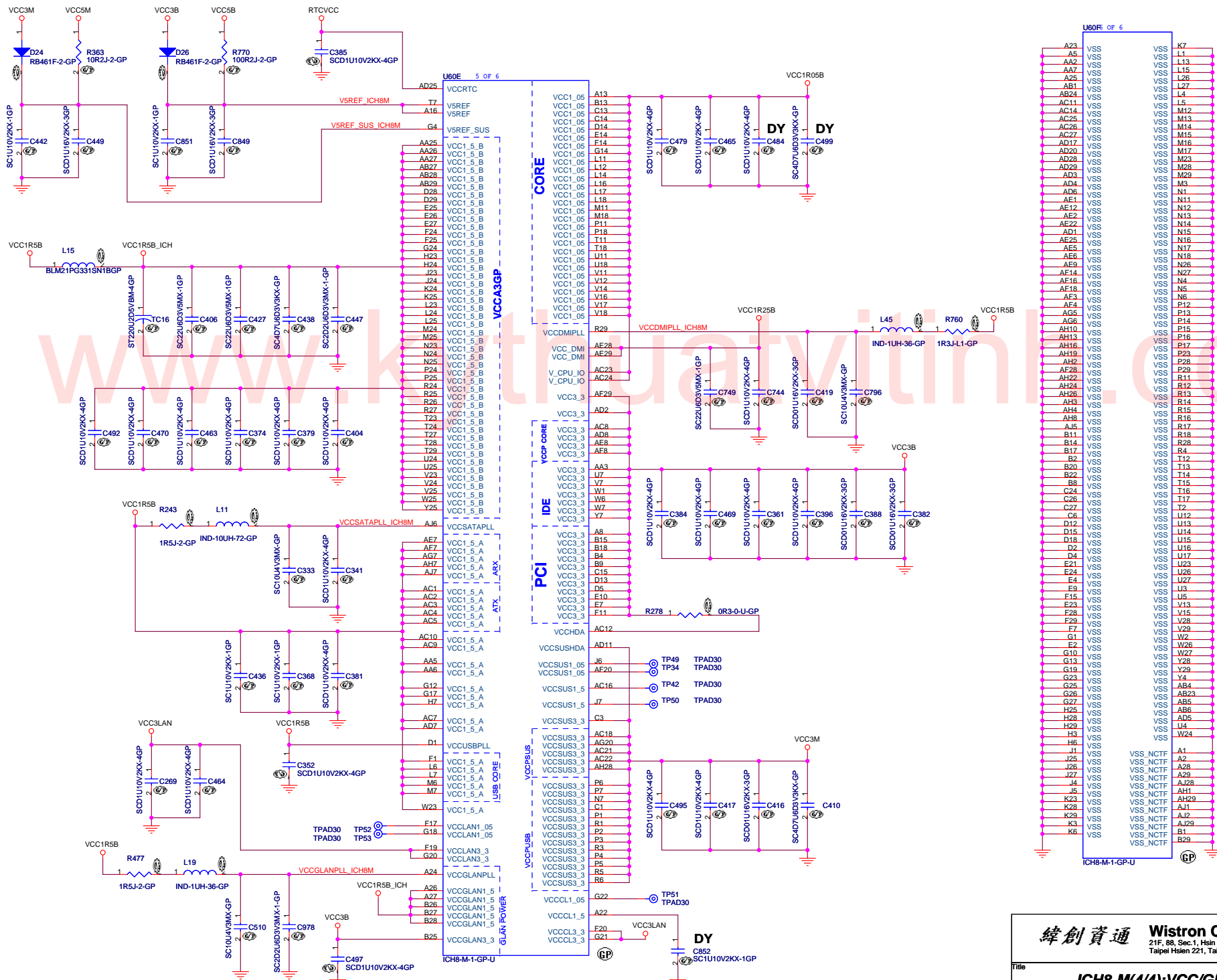
Signal	GPIO Pin	Function
PLANAR_ID0	AG11	MISC
PLANAR_ID1	AG11	MISC
ICH_14M	18	MISC
USBCLK_48M	18	MISC
SUSCLK_32K	48.51	MISC
-ICH_SLP_S3	51	MISC
-ICH_SLP_S4	51	MISC
-ICH_SLP_S5	49	MISC
-S4_STATE	49	MISC
BPWRG	5.10.49.51.54.70.72	MISC
-BATLOW	49	MISC
-PWRSW_H8	49	MISC
MPWRG	30.48.51.60.64.69.72	MISC
LANPWG	74	MISC
CKPWRGD	18	MISC
-ICH_SLP_M	49.64	MISC
CL_CLK_MCH	10	MISC
CL_CLK_WLAN	42.78	MISC
CL_DATA_MCH	10	MISC
CL_DATA_WLAN	42.78	MISC
-CL_RST_MCH	10	MISC
-SLICE_ON_3M	47.49	MISC
-AMT_ALERT	49	MISC
LAN_WOL_EN	49.64	MISC
AC_PRESENT	49.64	MISC

<Variant Name>

**緯創資通 Wistron Corporation**  
 21F, 88, Sec.1, Hsin Tai Wu Rd., Hsichih,  
 Taipei Hsien 221, Taiwan, R.O.C.

Title		<b>ICH8-M(3/4):PM/SMB/GPIO</b>	
Size	Document Number	Rev	
Custom			<b>-1</b>
Date:	Tuesday, March 20, 2007	Sheet	24 of 78





U60F OF 6		
A23	VSS	K7
A5	VSS	L1
AA2	VSS	L13
AA7	VSS	L15
A25	VSS	L26
AB1	VSS	L27
AB4	VSS	L4
AC11	VSS	L5
AC14	VSS	M12
AC25	VSS	M13
AC26	VSS	M14
AC27	VSS	M15
AD17	VSS	M16
AD20	VSS	M17
AD28	VSS	M23
AD29	VSS	M28
AD3	VSS	M29
AD4	VSS	M3
AD6	VSS	N1
AE1	VSS	N11
AE12	VSS	N12
AE2	VSS	N13
AE22	VSS	N14
AD1	VSS	N15
AE28	VSS	N16
AE5	VSS	N17
AE6	VSS	N18
AE9	VSS	N26
AF14	VSS	N27
AF16	VSS	N4
AF18	VSS	N5
AF3	VSS	N6
AF4	VSS	N12
AG5	VSS	P12
AG6	VSS	P14
AH10	VSS	P15
AH13	VSS	P16
AH16	VSS	P17
AH19	VSS	P23
AH2	VSS	P28
AF28	VSS	P29
AH28	VSS	R11
AH24	VSS	R12
AH26	VSS	R13
AH3	VSS	R14
AH4	VSS	R15
AH8	VSS	R16
AJ5	VSS	R17
B11	VSS	R18
B14	VSS	R28
B17	VSS	R4
B2	VSS	T12
B20	VSS	T13
B22	VSS	T14
B6	VSS	T15
C24	VSS	T16
C26	VSS	T17
C27	VSS	T2
D12	VSS	U12
D12	VSS	U13
D15	VSS	U14
D18	VSS	U15
D2	VSS	U16
D4	VSS	U17
E21	VSS	U23
E24	VSS	U26
E4	VSS	U27
E9	VSS	U3
F15	VSS	U5
F23	VSS	V13
F28	VSS	V15
F29	VSS	V28
F7	VSS	V29
G1	VSS	W2
E2	VSS	W26
G10	VSS	W27
G13	VSS	Y28
G19	VSS	Y29
G23	VSS	Y4
G26	VSS	AB4
G26	VSS	AB23
G27	VSS	AB5
H25	VSS	AB6
H28	VSS	AD5
H29	VSS	U4
H3	VSS	W24
H6	VSS	
I1	VSS	A1
J5	VSS	A2
J26	VSS	A28
J27	VSS	A29
J4	VSS	A28
J5	VSS	AH1
K23	VSS	AH29
K28	VSS	AJ1
K29	VSS	AJ2
K3	VSS	AJ29
K6	VSS	B1
	VSS	B29

22 ACZ\_SYNC\_ADI  
 22 ACZ\_BCLK\_ADI  
 22 ACZ\_SDOU\_ADI  
 22 ACZ\_SDINO\_ADI  
 22 -ACZ\_RST\_ADI

29 EAPD

VCC3B  
 DY  
 R450  
 10KR2J-3-GP

VCC3M MICVCC (3.3V)

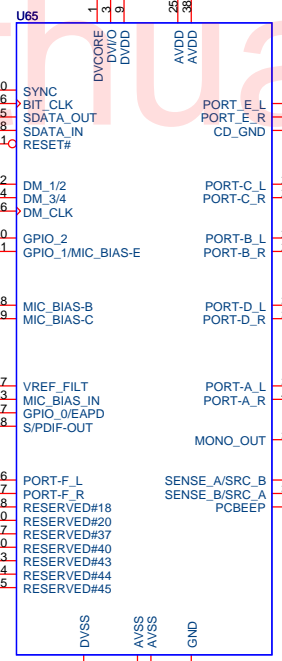
SC4D7U6D3V3KX-GP  
 SCD1U10V2KX-5GP

SC1U10V2KX-1GP  
 C846  
 SCD1U10V2KX-5GP  
 C836

SC1U10V2KX-5GP  
 C859  
 SC1U10V5KX-2GP  
 C860  
 SCD1U10V2KX-5GP  
 C511

SC4D7U6D3V3KX-GP  
 SCD1U10V2KX-5GP  
 C855  
 SCD1U10V2KX-5GP  
 C856

2K67R2F-2-GP  
 R388  
 2K67R2F-2-GP  
 R443



AD1984JCPZ-91RL-GP

47KR2J-2-GP  
 R761

SC47P50V2JIN-3GP  
 C515  
 DY

SC1U10V2KX-1GP  
 C842

SCD1U10V2KX-5GP  
 C830

SC1U10V2KX-1GP  
 C507

TP79

TPAD30

TP81

TP82

TPA30

DY  
 C513  
 SCD01U16V2KX-3GP  
 R429  
 0R3-0-U-GP

5K1R3FL-GP  
 R381

SC1U10V2KX-1GP  
 C810

SC1U10V2KX-1GP  
 C850

SC33P50V2JIN-3GP  
 C516

SC33P50V2JIN-3GP  
 C524

SC33P50V2JIN-3GP  
 C533

SC33P50V2JIN-3GP  
 C532

75KR2J-GP

R937

C963

SC1U10V2KX-1GP

SENSE\_A 27  
 SENSE\_B 27  
 BEEP\_MIX 28

14 CD\_AUDIO\_L C488  
 15 CD\_AUDIO\_R C489  
 19 CD\_AUDIO\_GND C490  
 SC1U10V2KX-1GP  
 SC1U10V2KX-1GP  
 SC1U10V2KX-1GP  
 DY

DOCK\_MIC\_IN 27  
 AGND

23 PORT-C\_L C812  
 24 PORT-C\_R C811  
 SC1U10V2KX-1GP  
 SC1U10V2KX-1GP

INT\_MIC\_DIRECT 27  
 AGND

21 PORT-B\_L C814  
 22 PORT-B\_R C813  
 SC1U10V2KX-1GP  
 SC1U10V2KX-1GP

EXT\_MIC 27

35 PORT-D\_L  
 36 PORT-D\_R  
 SP\_L\_OUT 29  
 SP\_R\_OUT 29

39 PORT-A\_L  
 41 PORT-A\_R  
 HP\_L\_OUT 29  
 HP\_R\_OUT 29

32 MONO\_OUT  
 X

HP\_L\_OUT 29  
 HP\_R\_OUT 29

<Variant Name>

**緯創資通** Wistron Corporation  
 21F, 88, Sec.1, Hsin Tai Wu Rd., Hsichih,  
 Taipei Hsien 221, Taiwan, R.O.C.

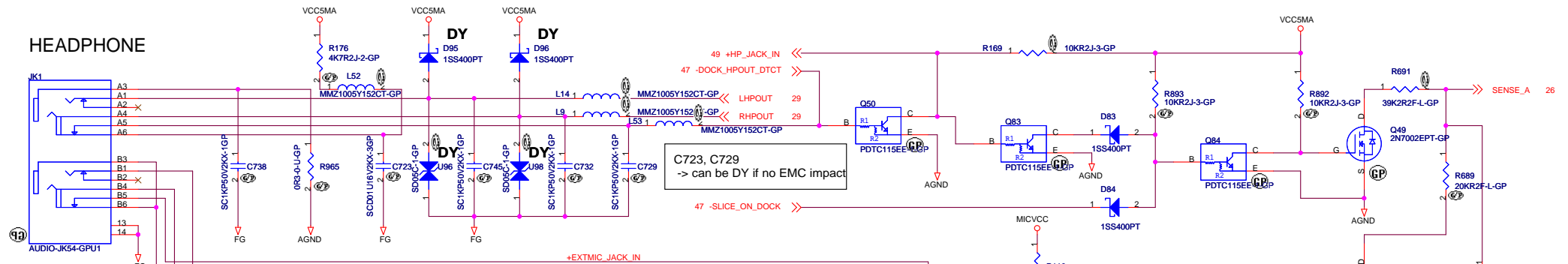
Title  
**AUDIO AD1984JCP**

Size A3 Document Number  
**KS note-3**

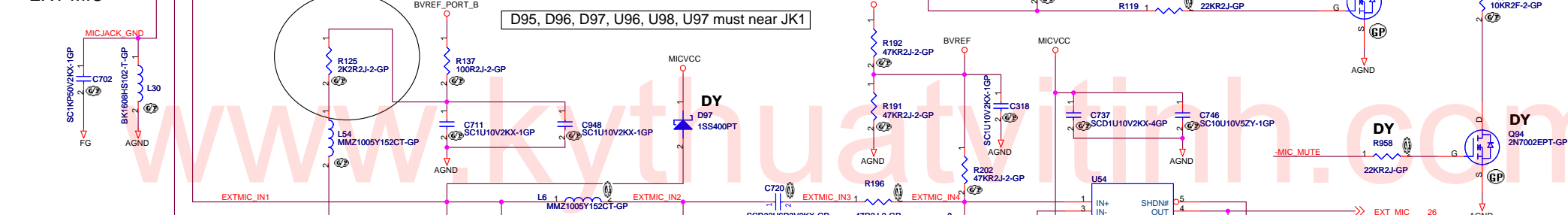
Date: Tuesday, March 20, 2007 Sheet 26 of 78

Rev -1

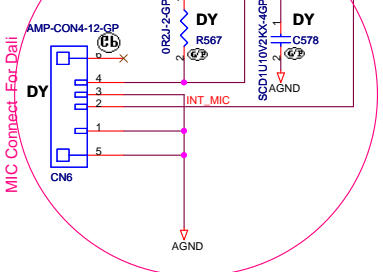
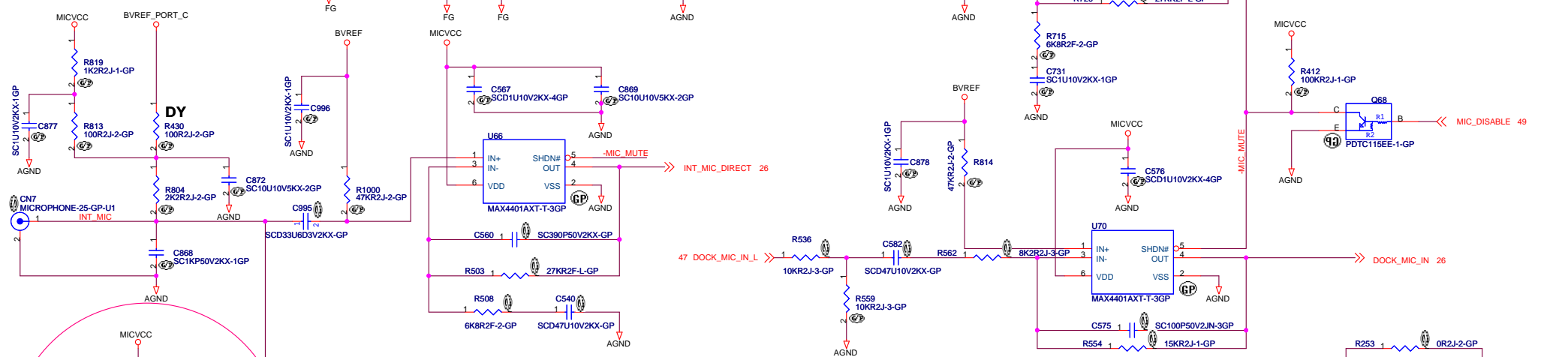
# HEADPHONE



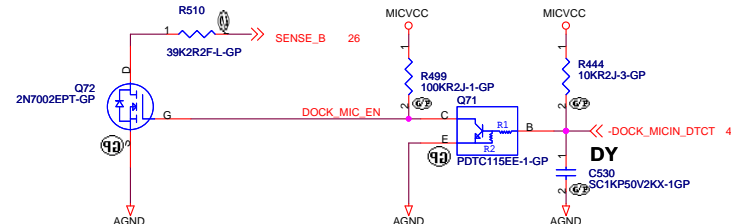
# EXT MIC



**ALL PARTS MUST BE PLACED NEAR TO INTERNAL MICROPHONE**



Place	KS-3	Dali-2
R819	ASM	Dummy
R804	ASM	Dummy
C872	ASM	Dummy
R813	ASM	Dummy
C877	ASM	Dummy
CN7	ASM	Dummy
CN6	Dummy	ASM
R567	Dummy	ASM
C578	Dummy	ASM

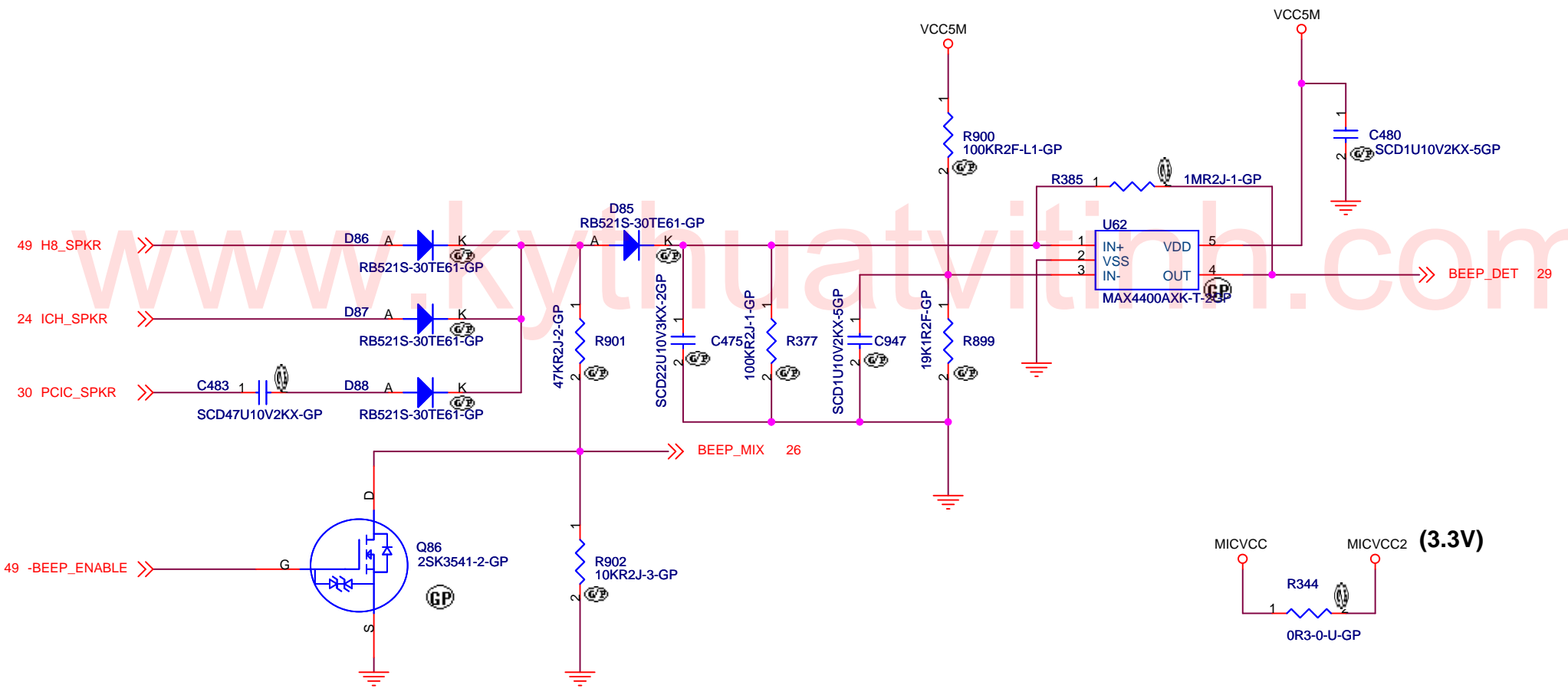


**Wistron Corporation**  
 21F, 88, Sec.1, Hsin Tai Wu Rd., Hsichih, Taipei Hsien 221, Taiwan, R.O.C.

**AUDIO MIC & CONN**

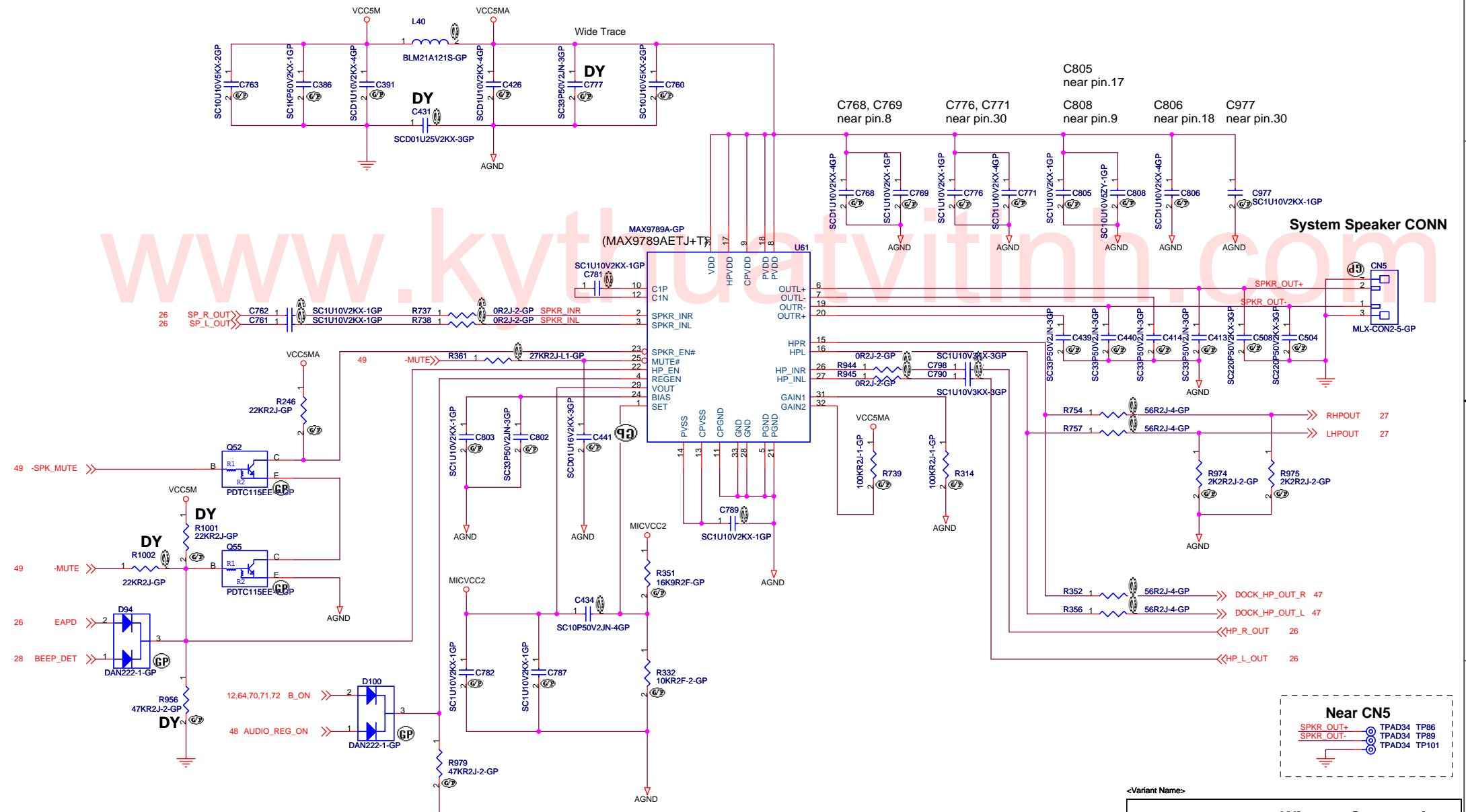
**KS note-3**

Date: Tuesday, March 20, 2007 Sheet 27 of 78

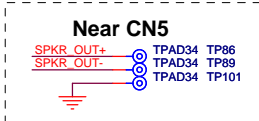
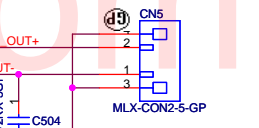


<Variant Name>

 <b>Wistron Corporation</b> 21F, 88, Sec.1, Hsin Tai Wu Rd., Hsichih, Taipei Hsien 221, Taiwan, R.O.C.	
<b>AUDIO MISC</b>	
Size A4	Document Number <b>KS note-3</b>
Date: Tuesday, March 20, 2007	Rev <b>-1</b>
Sheet 28 of 78	



**System Speaker CONN**



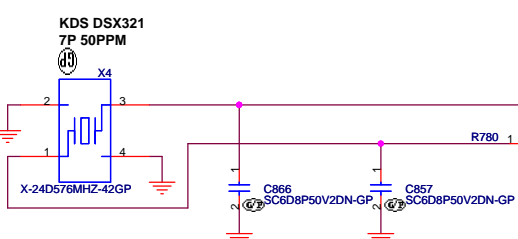
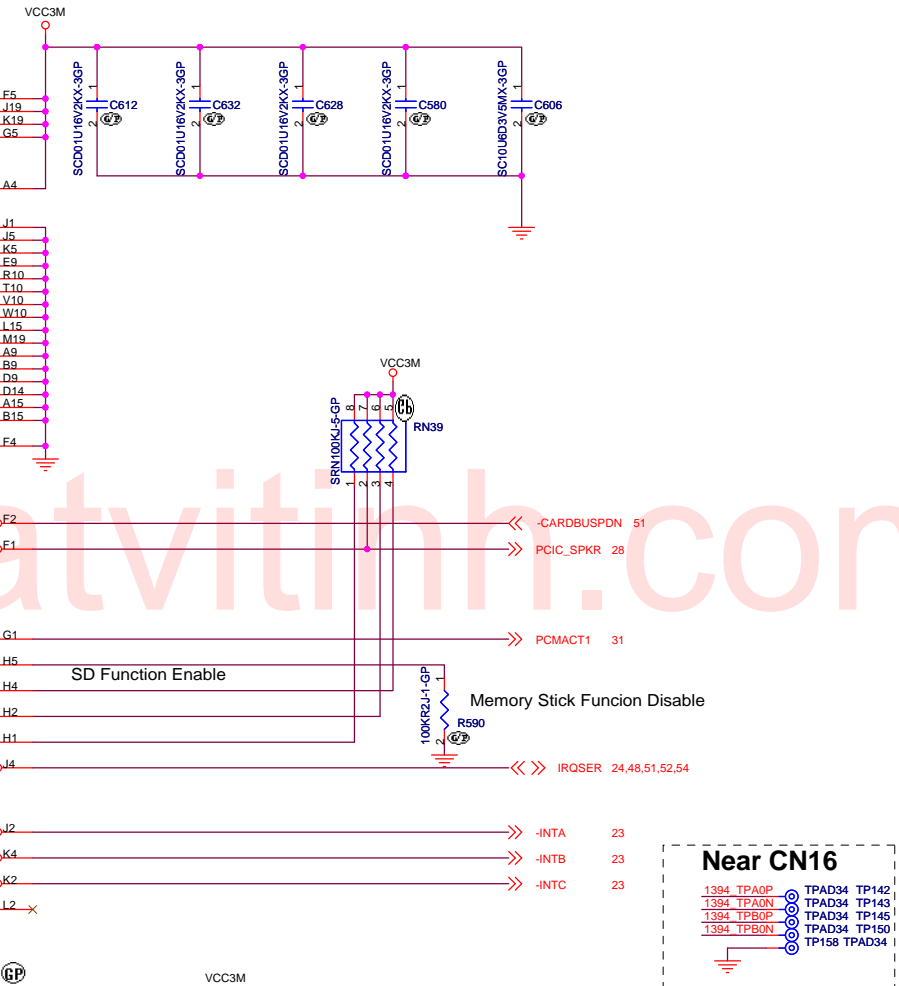
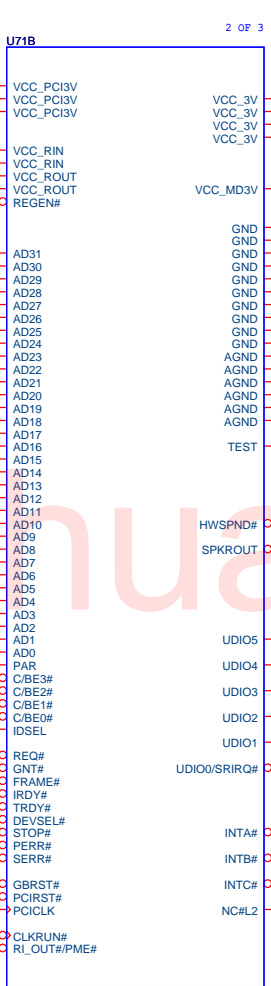
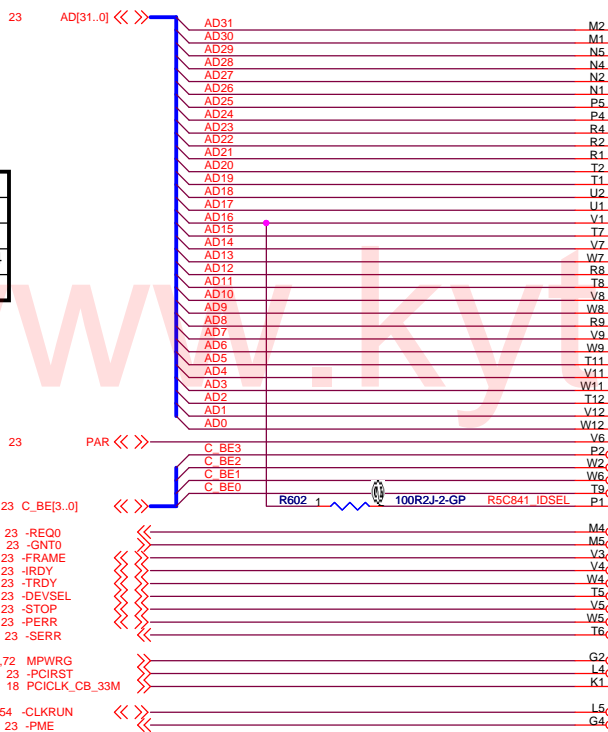
<Variant Name>

**緯創資通 Wistron Corporation**  
 21F, 88, Sec.1, Hsin Tai Wu Rd., Hsichih,  
 Taipei Hsien 221, Taiwan, R.O.C.

Title: **AUDIO AMP MAX9789A**

Size: A3	Document Number: <b>KS note-3</b>	Rev: -1
Date: Tuesday, March 20, 2007	Sheet: 29	of 78

#	Function
0	PC Card
1	SD
2	IEEE 1394
...	.....



**Recommended Conditions**  
 Crystal Oscillator  
 Normal Frequency : 24.576MHz  
 Frequency Tolerance : ±50ppm(at 25°C)  
 Temperature stability : ±50ppm(reference to 25°C)  
 Operating Temperature Range : -20~70°C  
 Load Capacitance : 10pF  
 Driver Level : 0.1mW  
 Equivalent Series Resistance : 50ohm Max  
 Insulation resistance : 500M ohm Min (at DC100V±15V)  
 Shunt Capacitance : 7.0pF Max

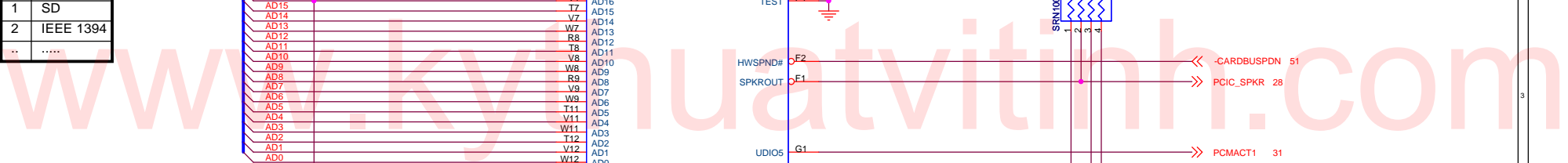
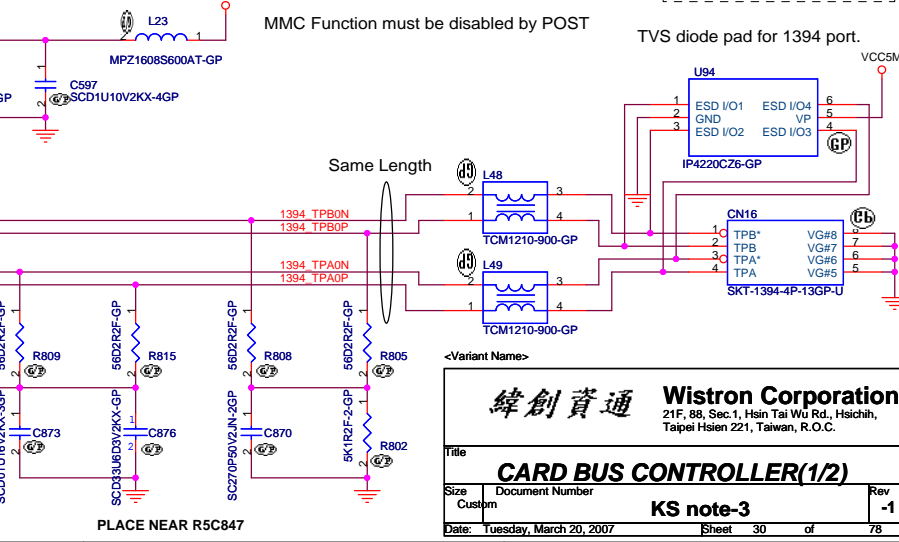
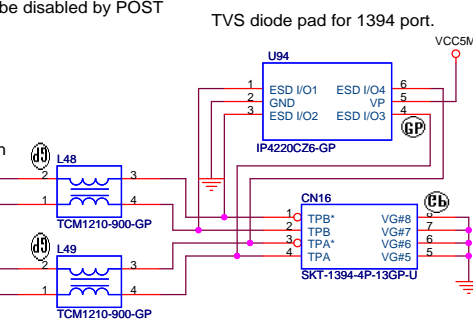
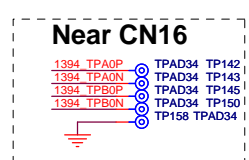
	R821	R822
R5C843	ASM	ASM
R5C847	DY	DY

**緯創資通** Wistron Corporation  
 21F, 88, Sec.1, Hsin Tai Wu Rd., Hsichih,  
 Taipei Hsien 221, Taiwan, R.O.C.

**CARD BUS CONTROLLER(1/2)**

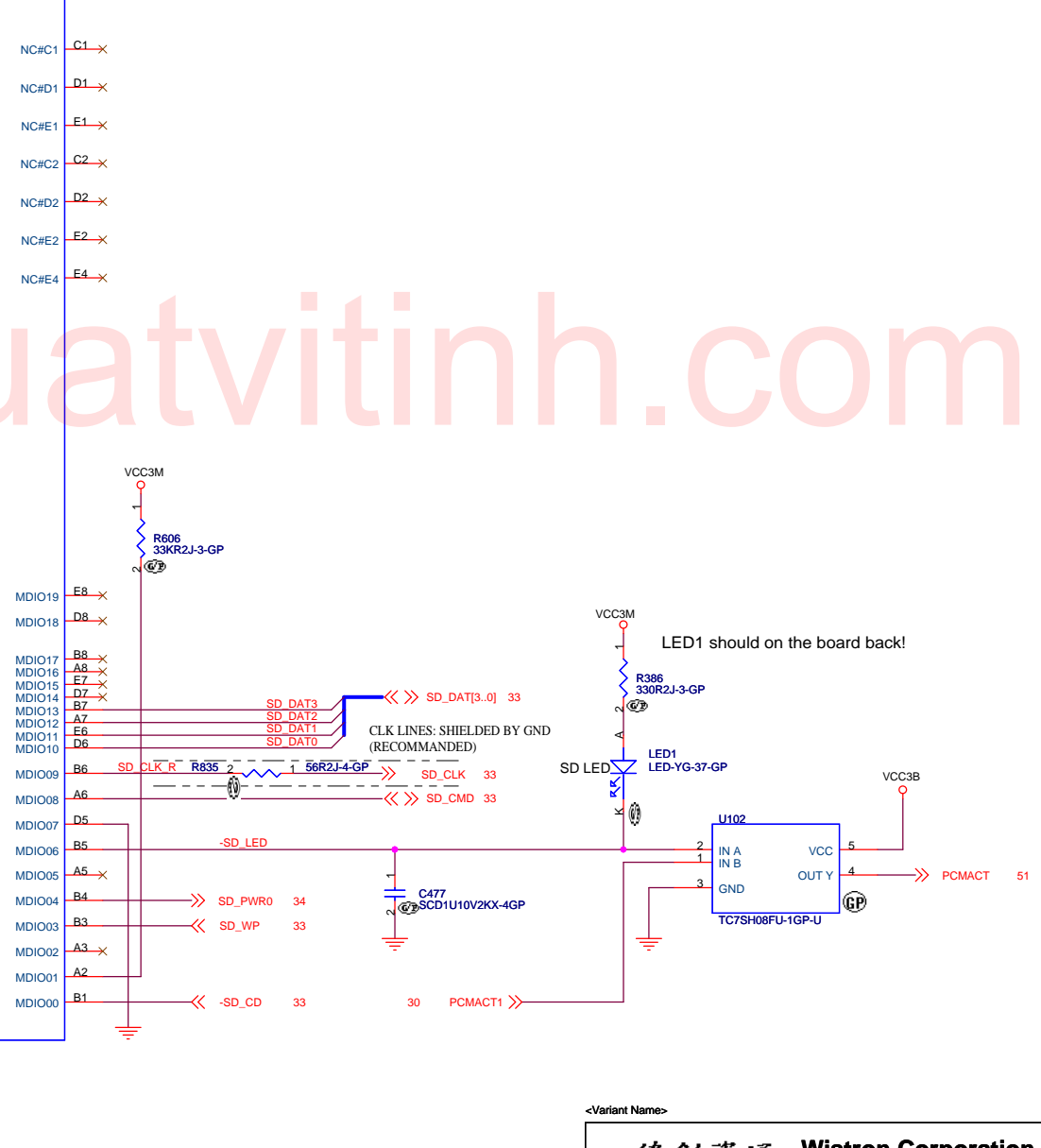
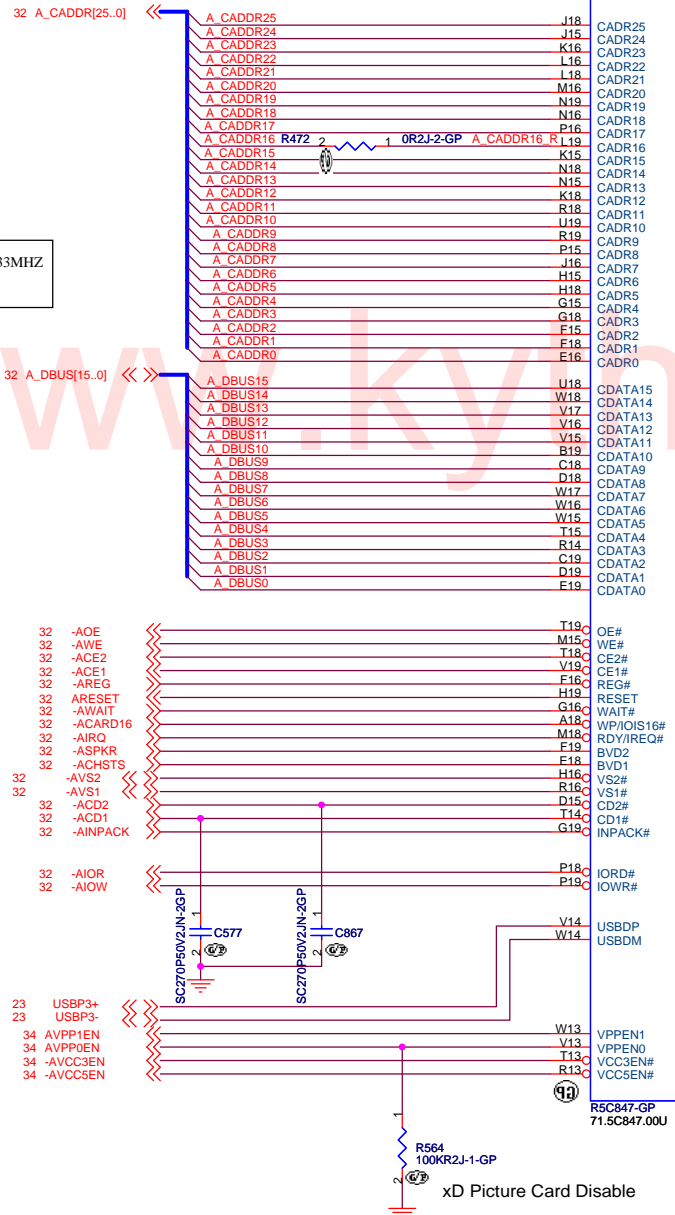
**KS note-3**

Date: Tuesday, March 20, 2007 Sheet 30 of 78



U71A

A\_CADDR16: CARDBUS CLK 33MHZ  
-AIOR, -AIOW: USB2.0



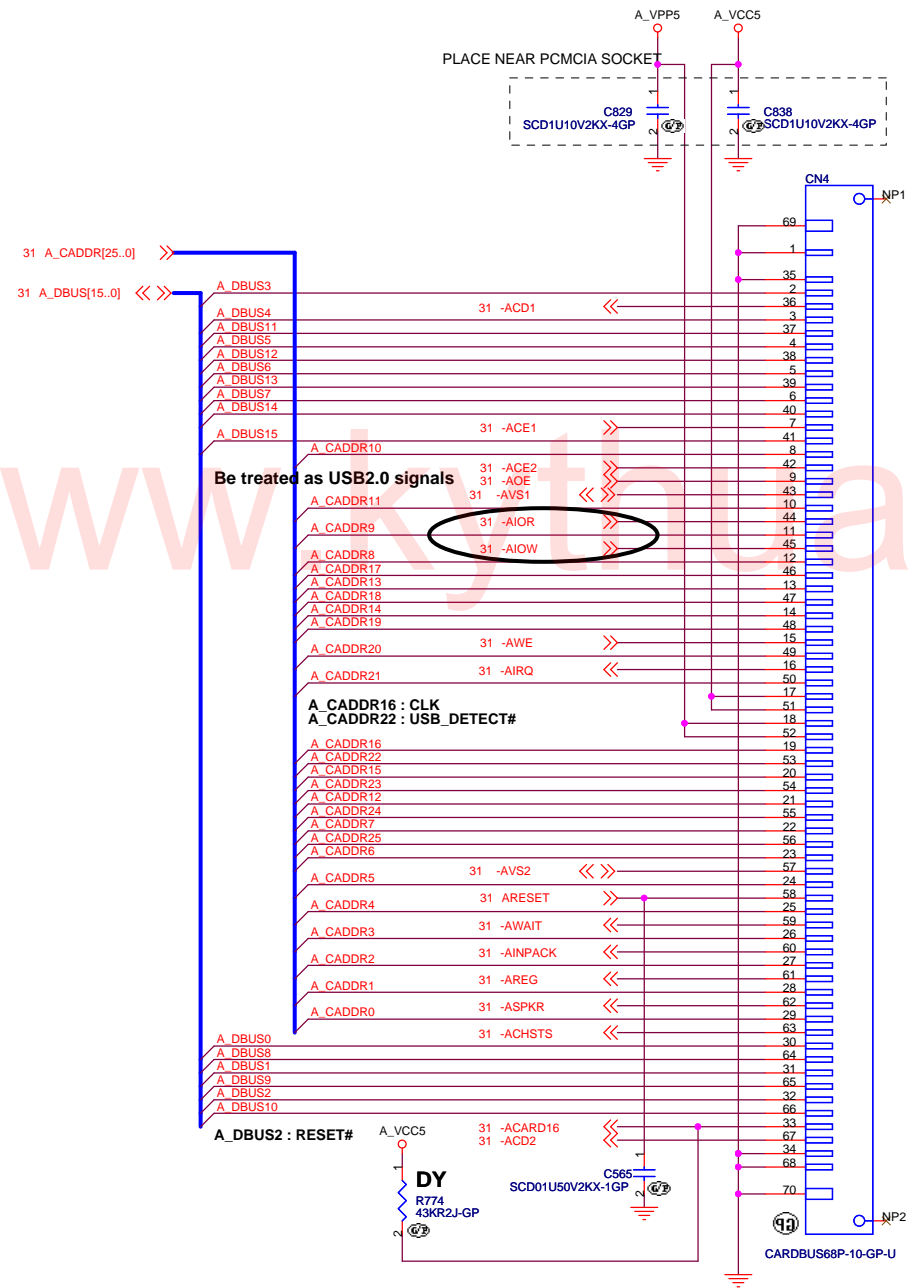
<Variant Name>

**緯創資通 Wistron Corporation**  
21F, 88, Sec.1, Hsin Tai Wu Rd., Hsichih, Taipei Hsien 221, Taiwan, R.O.C.

Title: **CARD BUS CONTROLLER(2/2)**

Size: A3 Document Number: **KS note-3** Rev: -1

Date: Tuesday, March 20, 2007 Sheet 31 of 78



Be treated as USB2.0 signals

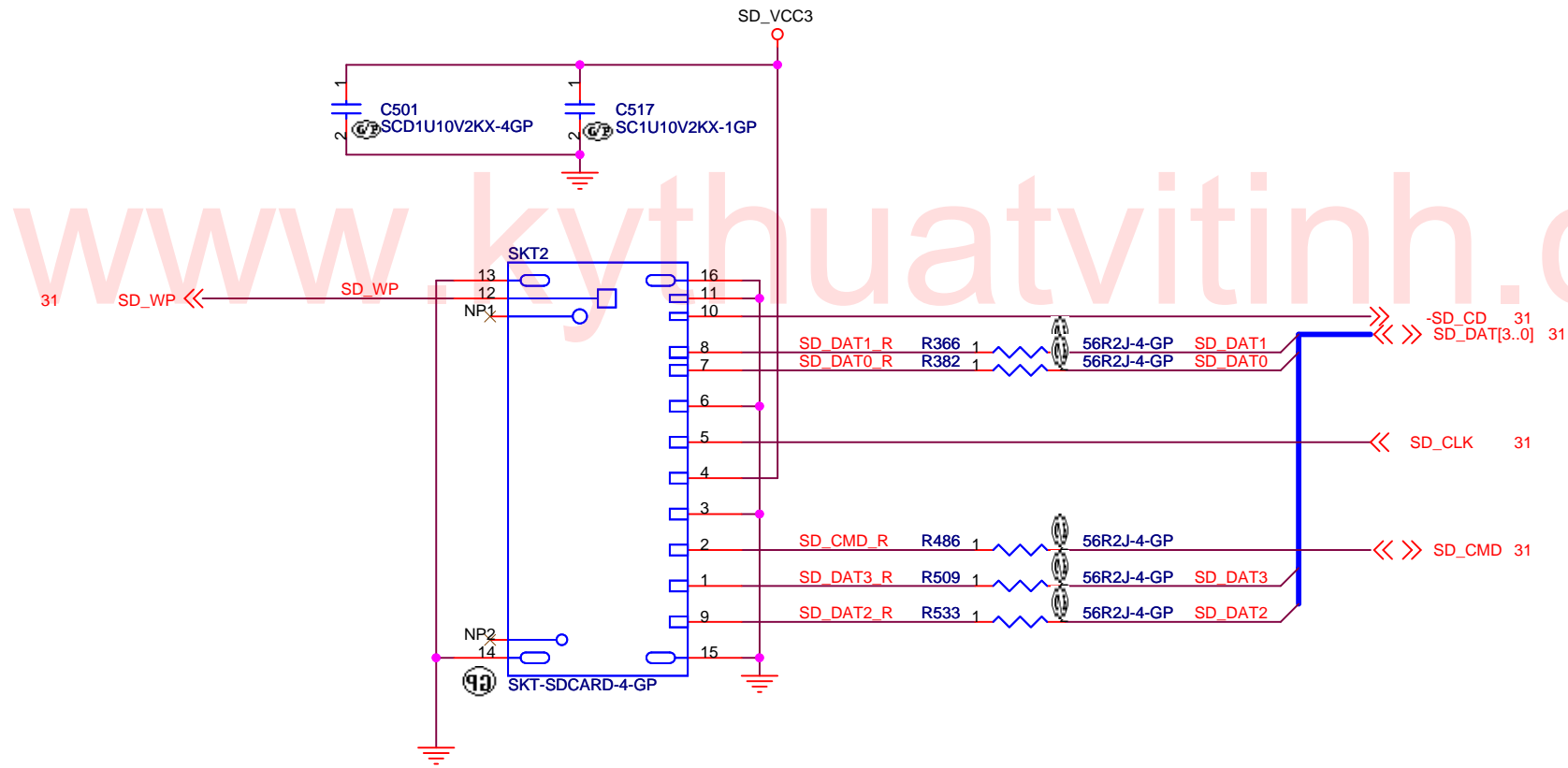
31 -AIOR  
31 -AIOW

www.kyathu.com atvittinh.com

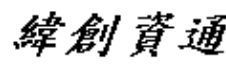
<Variant Name>	
<b>緯創資通 Wistron Corporation</b>	
21F, 88, Sec.1, Hsin Tai Wu Rd., Hsichih, Taipei Hsien 221, Taiwan, R.O.C.	
<b>CARD BUS SLOT</b>	
Title	
Size A3	Document Number
<b>KS note-3</b>	
Date: Tuesday, March 20, 2007	Sheet 32 of 78
	Rev -1

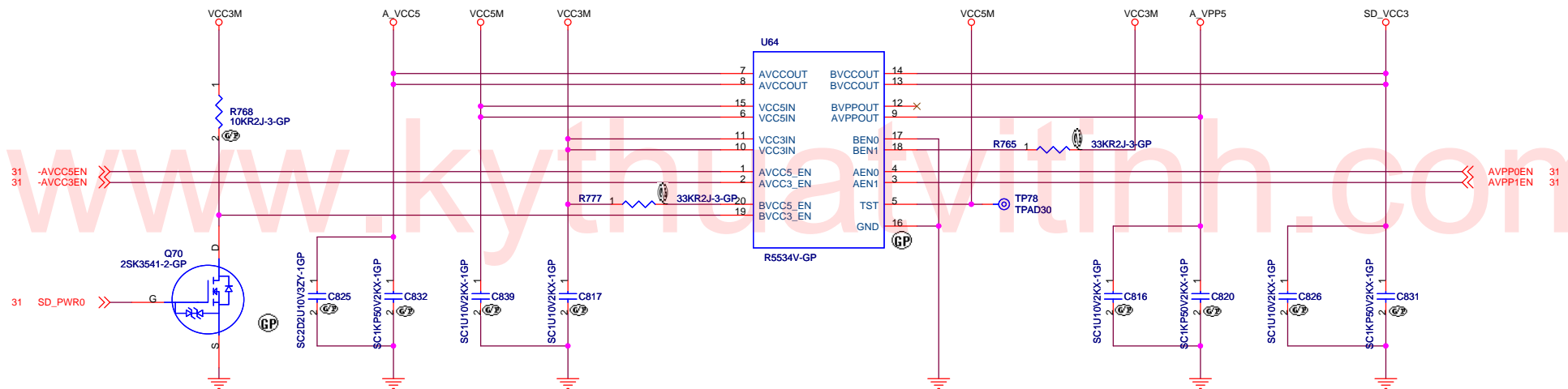


# SD Slot



<Variant Name>

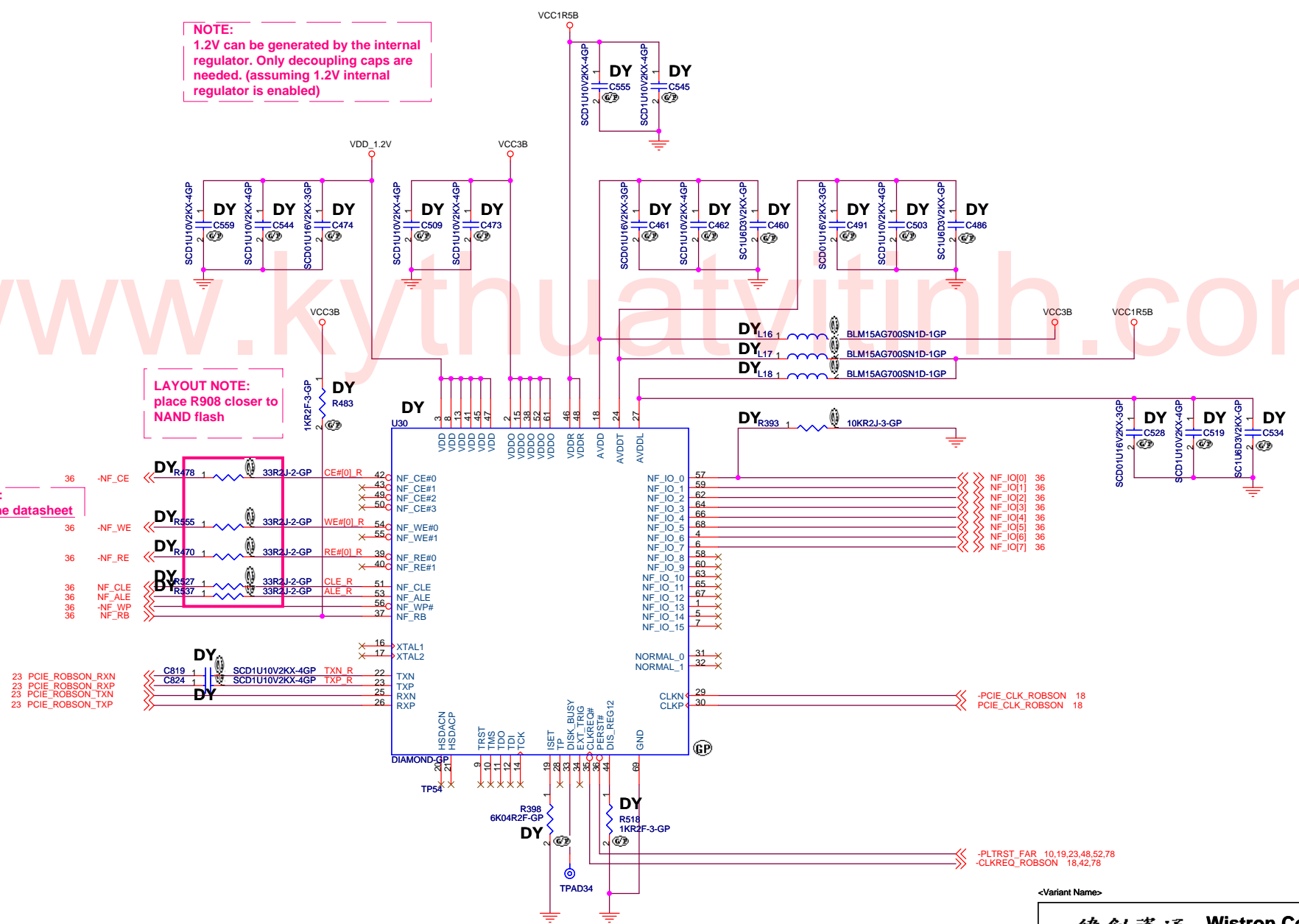
 <b>Wistron Corporation</b> 21F, 88, Sec.1, Hsin Tai Wu Rd., Hsichih, Taipei Hsien 221, Taiwan, R.O.C.	
<b>SD SLOT</b>	
Size A4	Document Number <b>KS note-3</b>
Date: Tuesday, March 20, 2007	Rev <b>-1</b>
Sheet 33 of 78	



**NOTE:**  
1.2V can be generated by the internal regulator. Only decoupling caps are needed. (assuming 1.2V internal regulator is enabled)

**LAYOUT NOTE:**  
place R908 closer to NAND flash

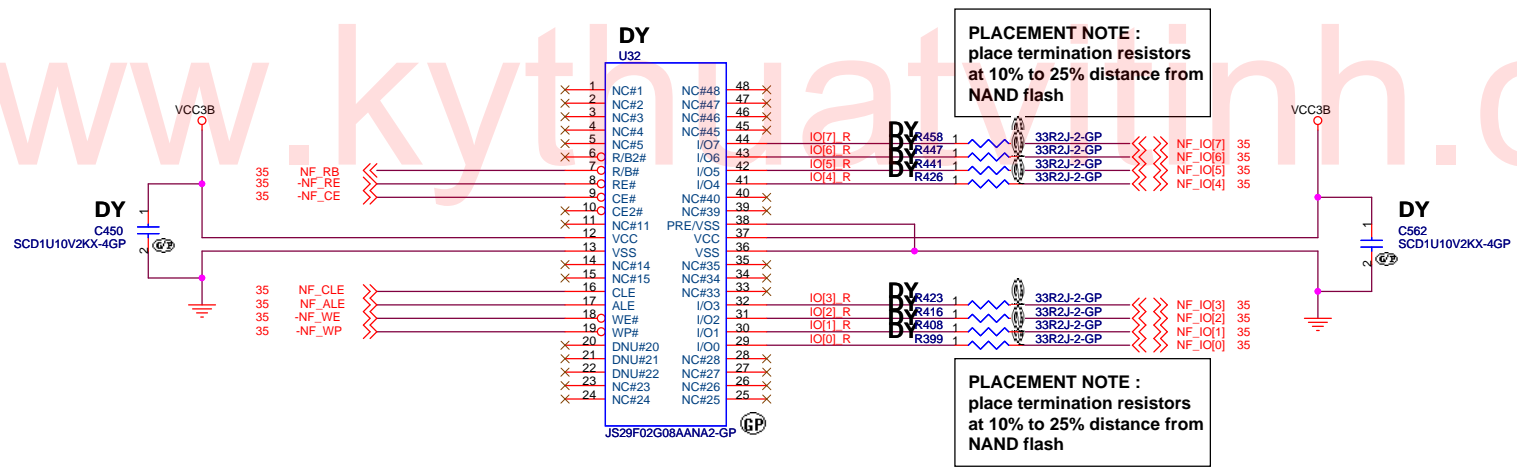
**LAYOUT NOTE:**  
please check the datasheet



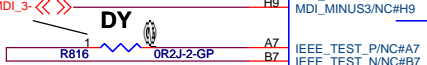
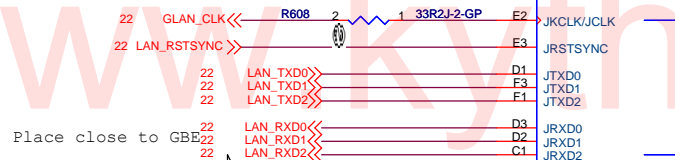
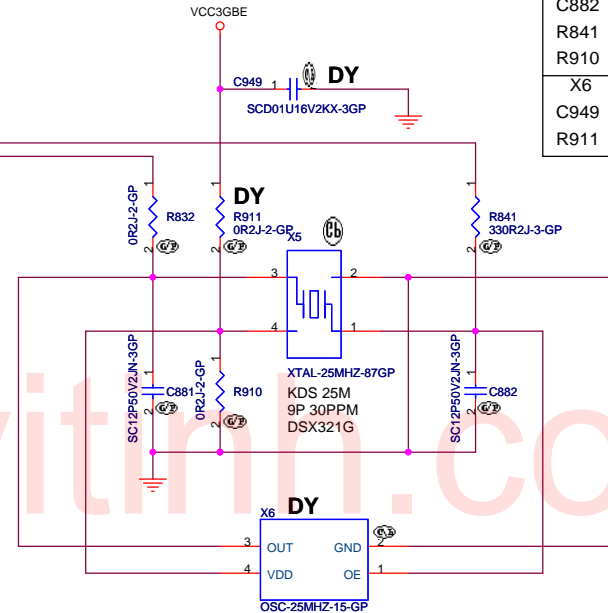
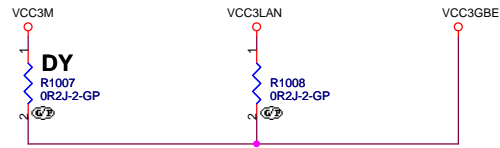
<Variant Name>

<b>緯創資通</b>		<b>Wistron Corporation</b>	
21F, 88, Sec.1, Hsin Tai Wu Rd., Hsichih, Taipei Hsien 221, Taiwan, R.O.C.			
Title <b>DIAMOND LAKE</b>			
Size A3	Document Number <b>KS note-3</b>	Rev <b>-1</b>	
Date: Tuesday, March 20, 2007	Sheet 35	of 78	

www.kythin.com



	Oscillator	Crystor
X5	NO ASM	ASM
C881	NO ASM	ASM
C882	NO ASM	ASM
R841	NO ASM	ASM
R910	NO ASM	ASM
X6	ASM	NO ASM
C949	ASM	NO ASM
R911	ASM	NO ASM



**LAN  
Nineveh**

**IGM**

**JTAG**

Keep to place on the same side of GBE

CAD Note: Connect resistor to GND near ball E6.

<Variant Name>

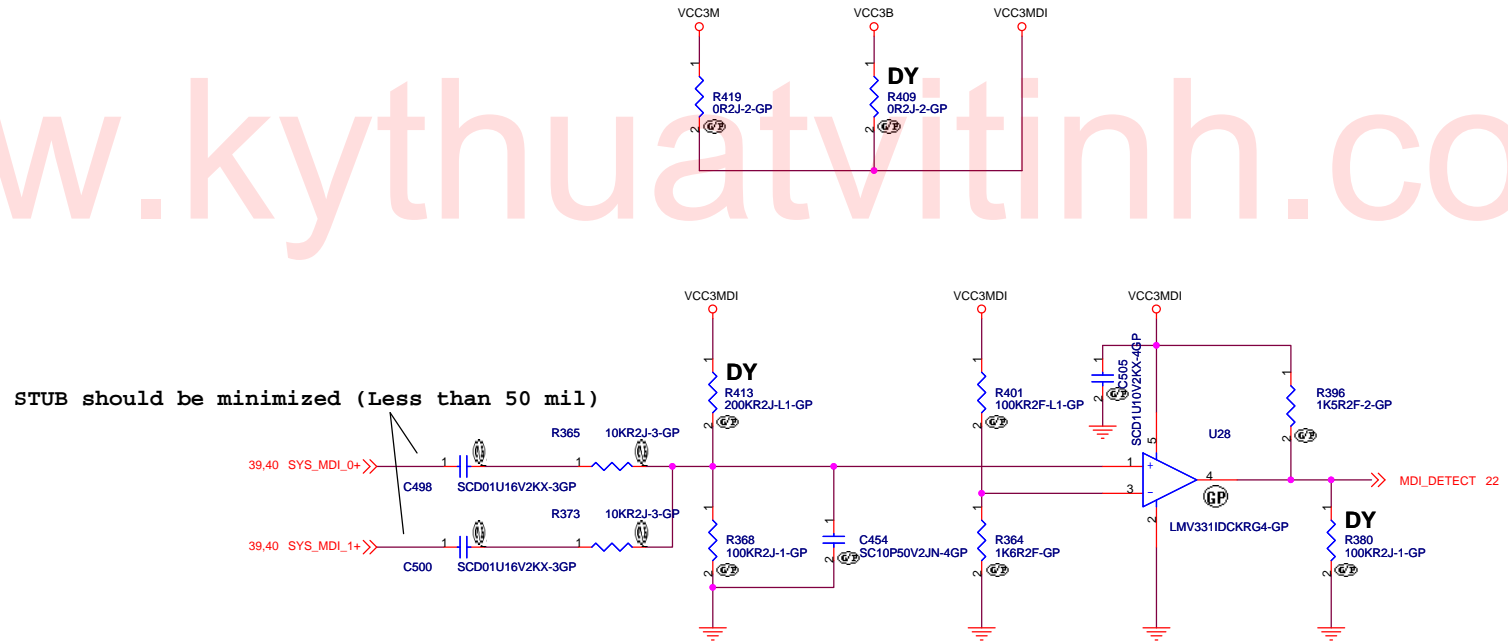
**緯創資通 Wistron Corporation**  
21F, 88, Sec.1, Hsin Tai Wu Rd., Hsichih, Taipei Hsien 221, Taiwan, R.O.C.

Title: **GBE NINEVEH**

Size A3 Document Number: **KS note-3** Rev: **-1**

Date: Tuesday, March 20, 2007 Sheet 37 of 78

www.kythuatinh.com



STUB should be minimized (Less than 50 mil)

SVT 3/12  
Change U28(LMV331) source from TI to NS

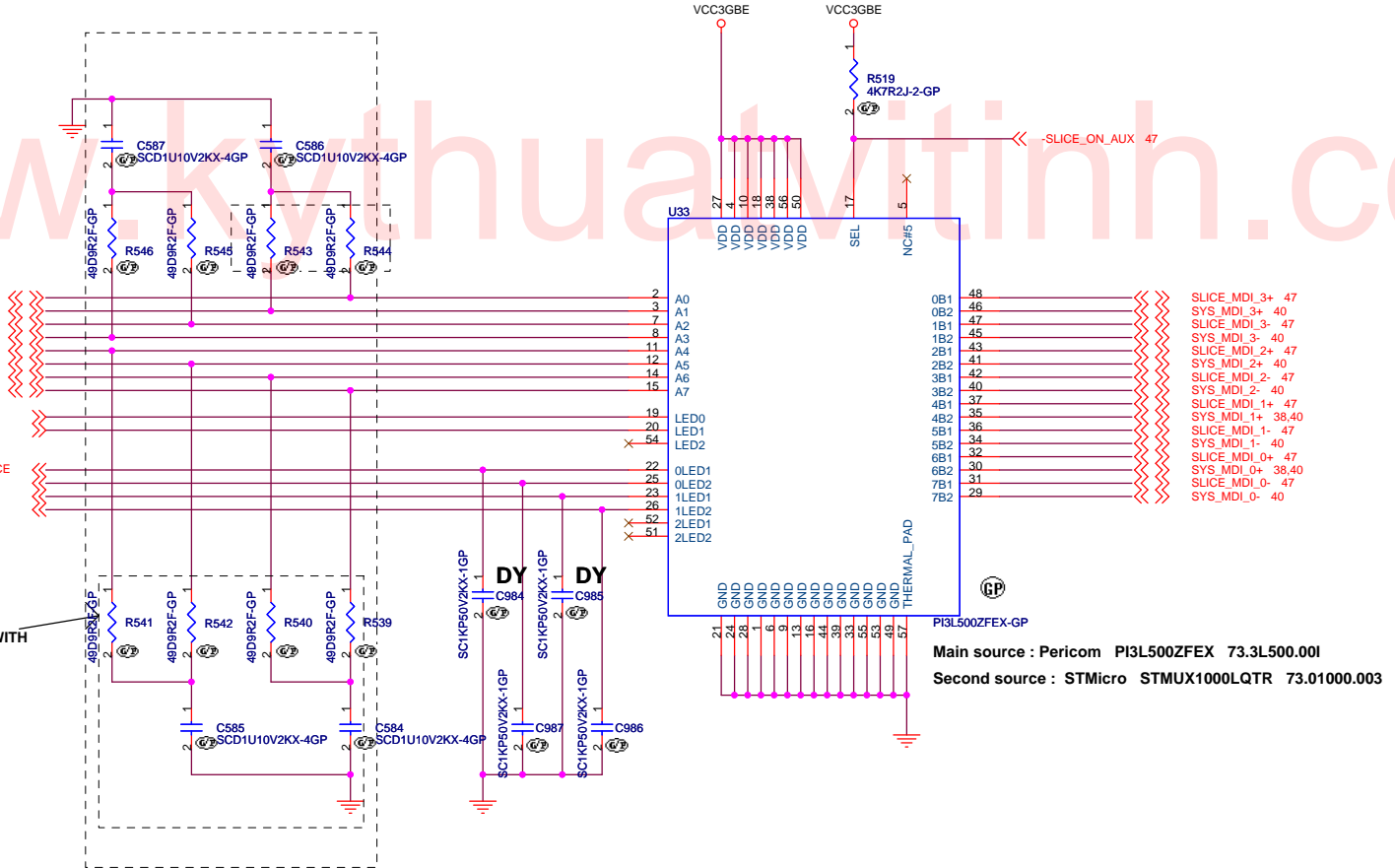
<Variant Name>	
<b>緯創資通</b> <b>Wistron Corporation</b> 21F, 88, Sec.1, Hsin Tai Wu Rd., Hsichih, Taipei Hsien 221, Taiwan, R.O.C.	
<b>Title</b>	
<b>GBE CABLE SENSE</b>	
Size	Document Number
A3	KS note-3
Date:	Rev
Tuesday, March 20, 2007	-1
Sheet	of
38	78

www.kvthuaatvitiinh.com

- 37 MDI\_3+
- 37 MDI\_3-
- 37 MDI\_2+
- 37 MDI\_2-
- 37 MDI\_1+
- 37 MDI\_1-
- 37 MDI\_0+
- 37 MDI\_0-
- 37 -RJ45\_ACTIVITY
- 37 -RJ45\_LINKUP
- 47 -RJ45\_ACTIVITY\_SLICE
- 41,78 -RJ45\_ACTIVITY\_SYS
- 47 -RJ45\_LINKUP\_SLICE
- 41,78 -RJ45\_LINKUP\_SYS

INSTALL 1% 49 OHM RESISTORS WITH INTEL TEKOA 82573M

THESE R AND C SHOULD BE PLACED NEAR PHY CHIP(82573M)



Main source : Pericom PI3L500ZFEX 73.3L500.001  
 Second source : STMicro STMUX1000LQTR 73.01000.003

<Variant Name>

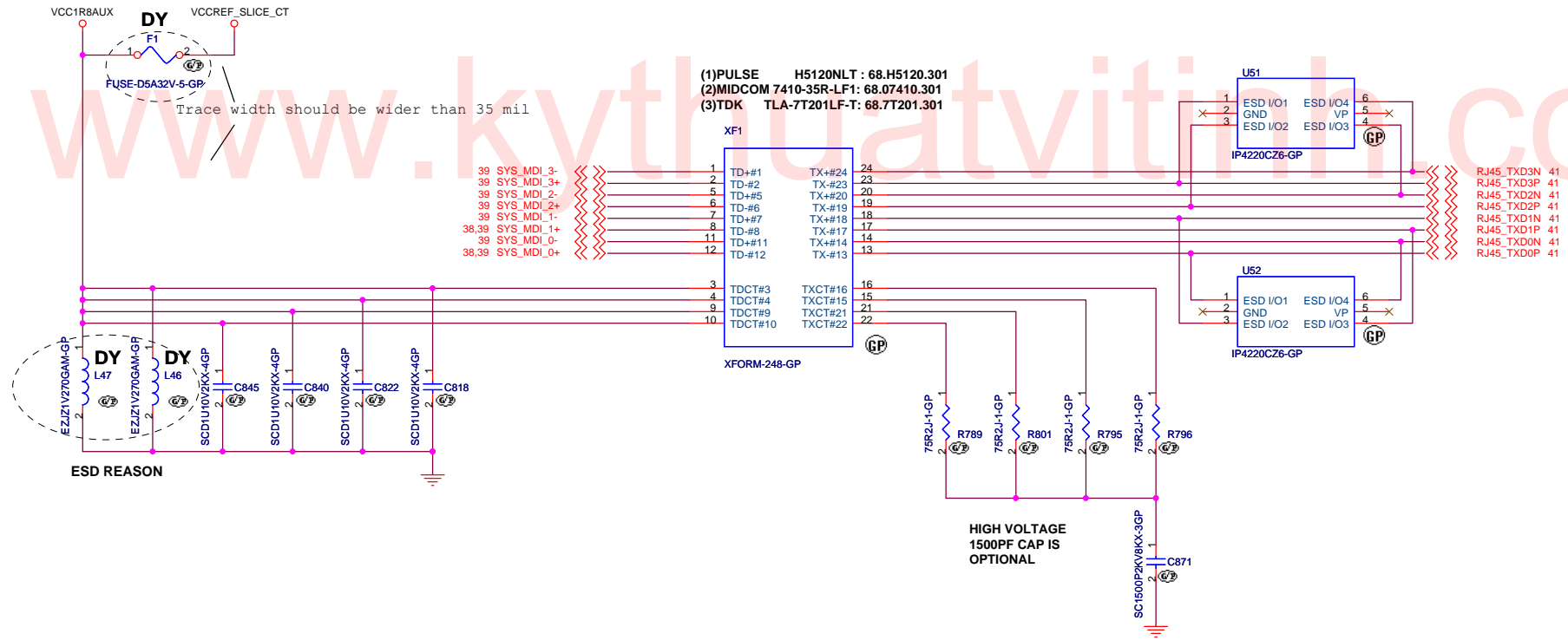
**緯創資通 Wistron Corporation**  
 21F, 88, Sec.1, Hsin Tai Wu Rd., Hsichih, Taipei Hsien 221, Taiwan, R.O.C.

Title: **GBE LAN SW**

Size A3 Document Number **KS note-3** Rev **-1**

Date: Tuesday, March 20, 2007 Sheet 39 of 78

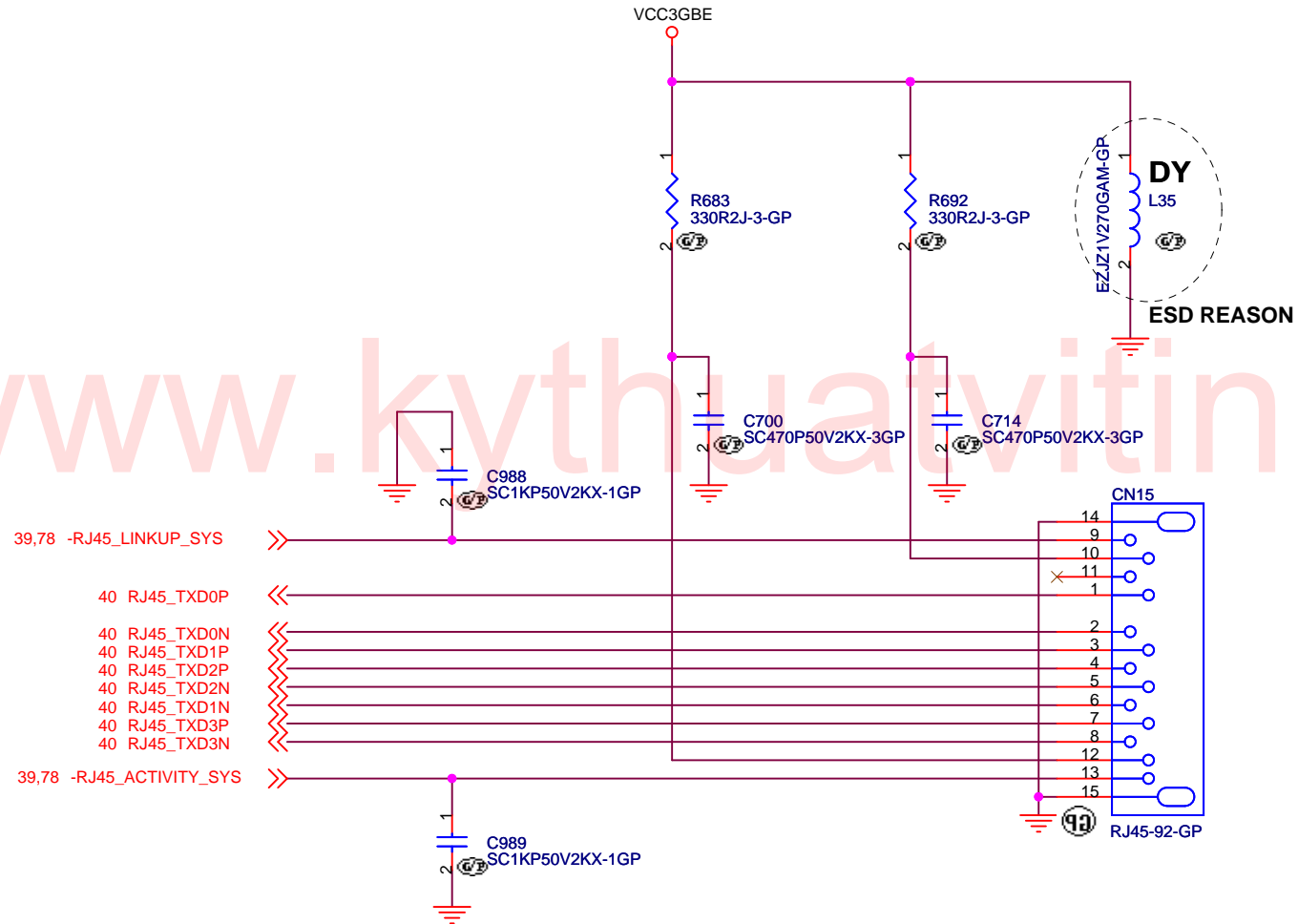
This should be placed near LAN Magnetics, not Slice conn.




<Variant Name>

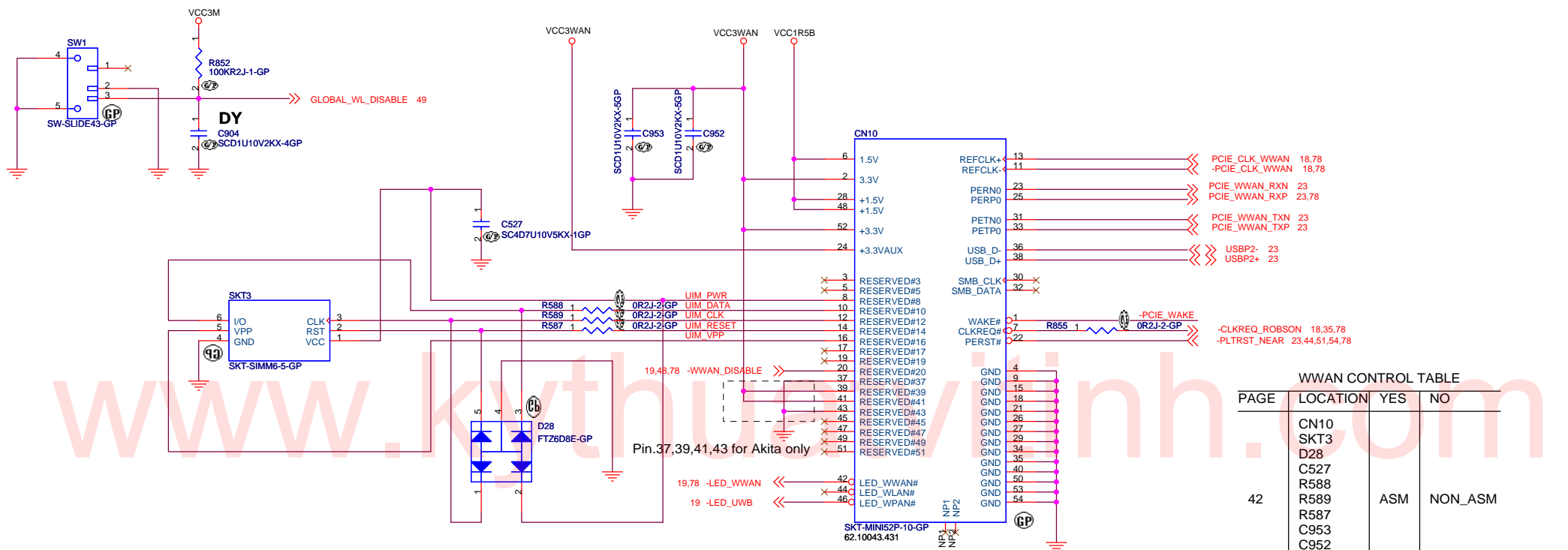


www.kythuathuatvithinh.com



<Variant Name>

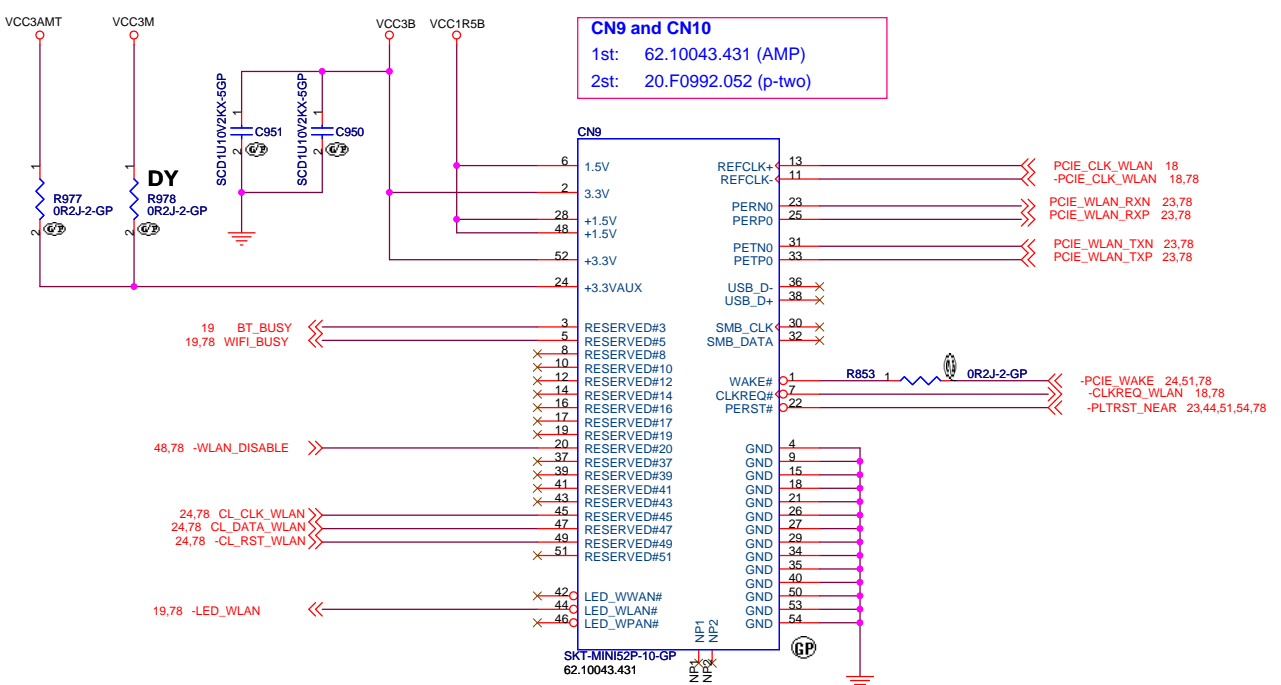
 <b>Wistron Corporation</b> 21F, 88, Sec.1, Hsin Tai Wu Rd., Hsichih, Taipei Hsien 221, Taiwan, R.O.C.		
<b>Title</b> <b>RJ11/RJ45 CONN</b>		
Size A4	Document Number <b>KS note-3</b>	Rev <b>-1</b>
Date: Tuesday, March 20, 2007		Sheet 41 of 78



WWAN CONTROL TABLE

PAGE	LOCATION	YES	NO
42	CN10		
	SKT3		
	D28		
	C527		
	R588	ASM	NON_ASM
	R589	ASM	NON_ASM
	R587	ASM	NON_ASM
73	C953		
	C952		
	R855		
	Q75		
	R949	ASM	NON_ASM
	D93	ASM	NON_ASM
	R950	ASM	NON_ASM
	C967	ASM	NON_ASM

**CN9 and CN10**  
 1st: 62.10043.431 (AMP)  
 2st: 20.F0992.052 (p-two)



<Variant Name>

**緯創資通 Wistron Corporation**  
 21F, 88, Sec.1, Hsin Tai Wu Rd., Hsichih, Taipei Hsien 221, Taiwan, R.O.C.

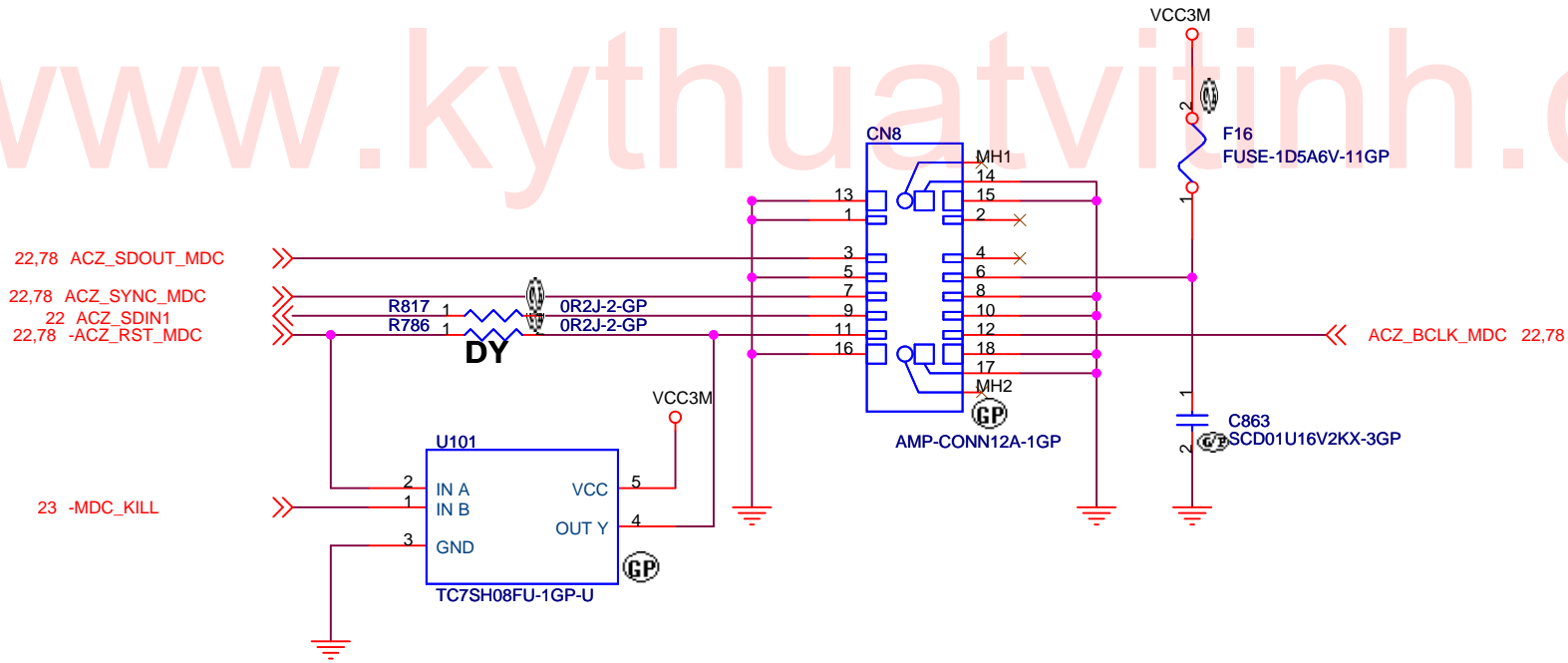
Title: **MINI CARD SLOT**

Size: A3 Document Number: **KS note-3** Rev: -1

Date: Tuesday, March 20, 2007 Sheet 42 of 78

# MDC CONN

www.kythuatinh.com



<Variant Name>

緯創資通

**Wistron Corporation**  
 21F, 88, Sec.1, Hsin Tai Wu Rd., Hsichih,  
 Taipei Hsien 221, Taiwan, R.O.C.

Title

**MDC 1.5 CONNECTOR**

Size  
 A4

Document Number

**KS note-3**

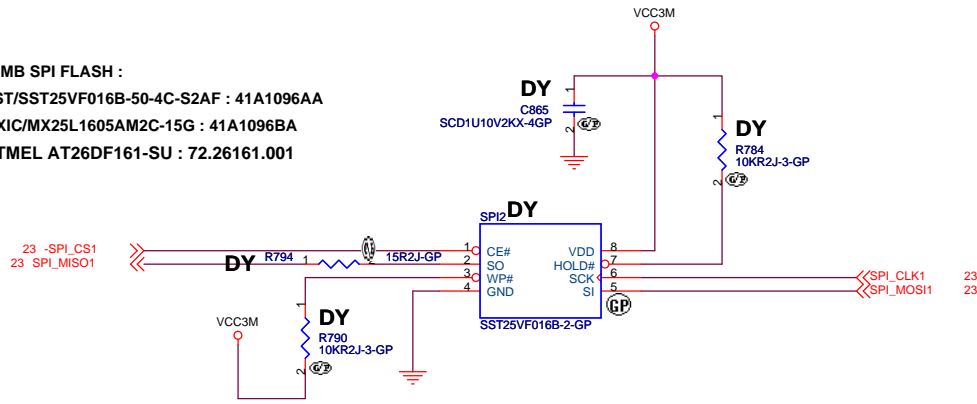
Rev  
 -1

Date: Tuesday, March 20, 2007

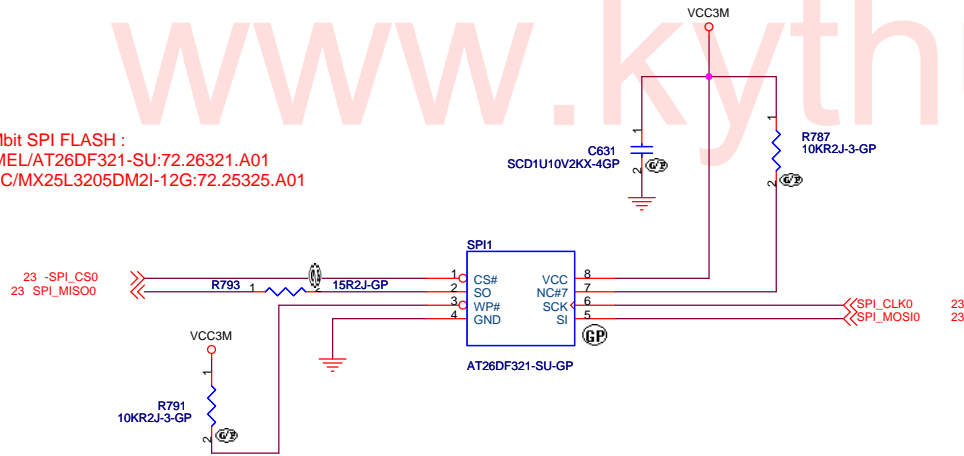
Sheet 43 of 78

# Golden Finger for Debug Board

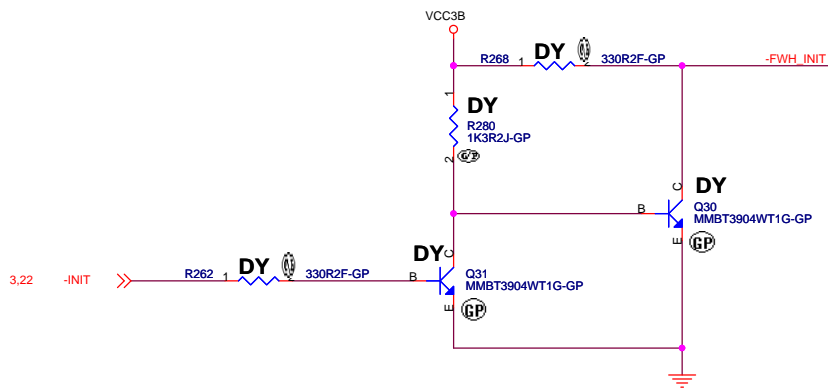
16MB SPI FLASH :  
 SST/SST25VF016B-50-4C-S2AF : 41A1096AA  
 MXIC/MX25L1605AM2C-15G : 41A1096BA  
 ATMEL AT26DF161-SU : 72.26161.001



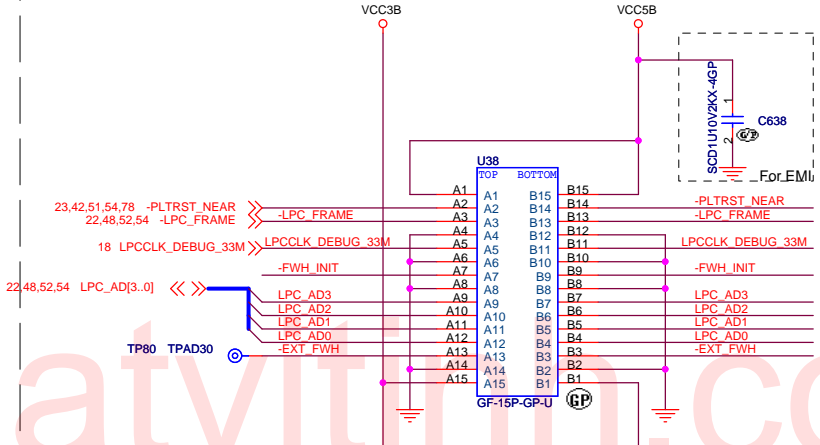
32Mbit SPI FLASH :  
 ATMEL/AT26DF321-SU:72.26321.A01  
 MXIC/MX25L3205DM2I-12G:72.25325.A01



All Dummy in SVT stage

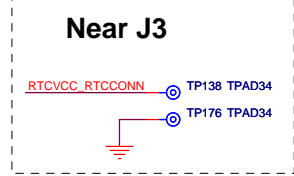
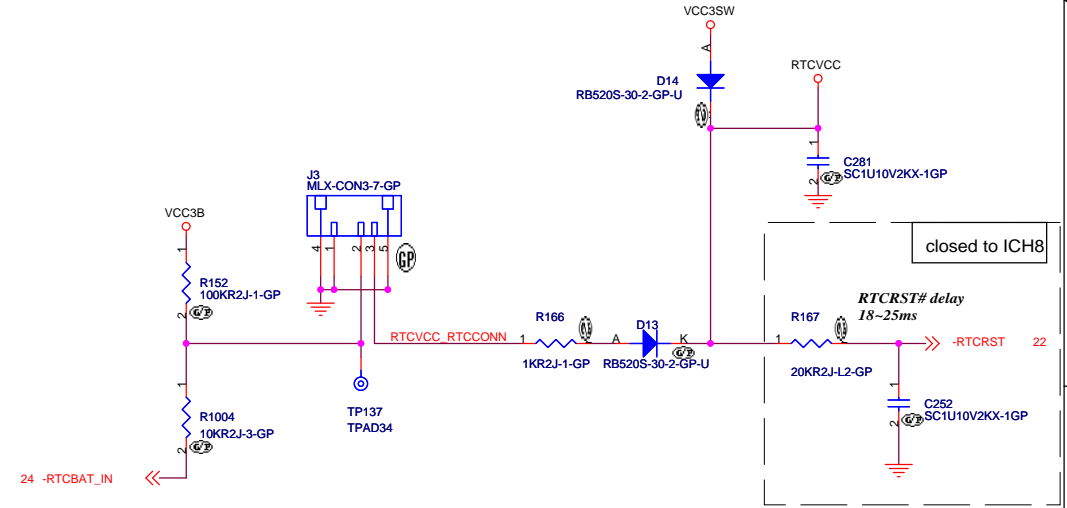


TOP VIEW



- A15 (B1)
- A14 (B2)
- ...
- A2 (B14)
- A1 (B15)

(BOTTOM VIEW)



<Variant Name>

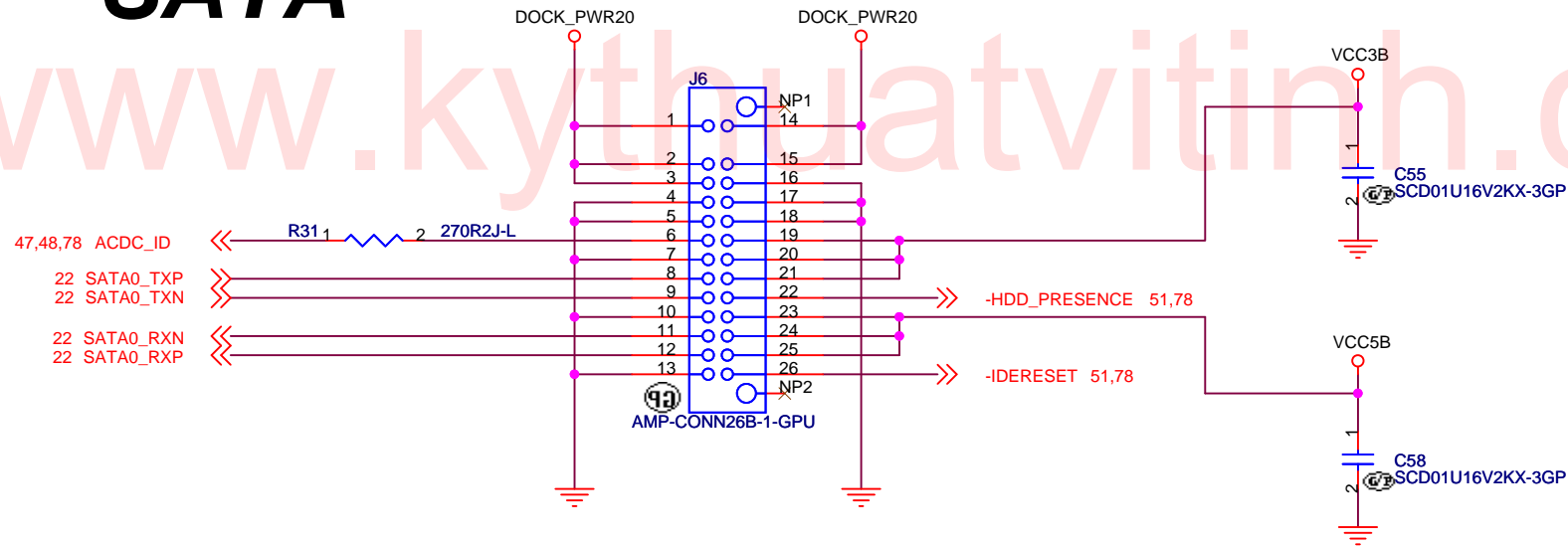
**緯創資通 Wistron Corporation**  
 21F, 88, Sec.1, Hsin Tai Wu Rd., Hsichih, Taipei Hsien 221, Taiwan, R.O.C.

Title: **RTC BATTERY & SPI**


Size A3 Document Number **KS note-3** Rev -1

Date: Tuesday, March 20, 2007 Sheet 44 of 78

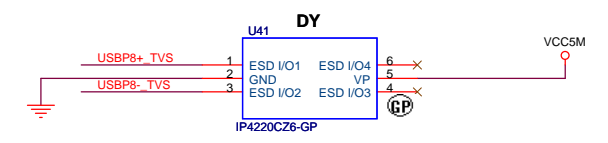
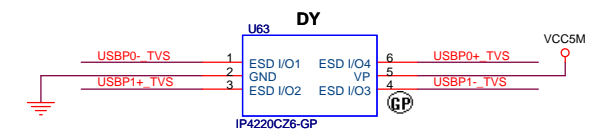
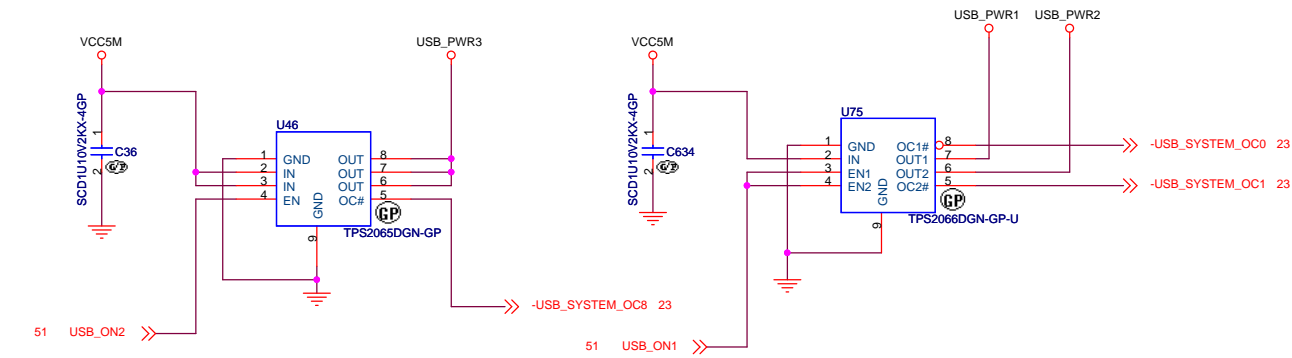
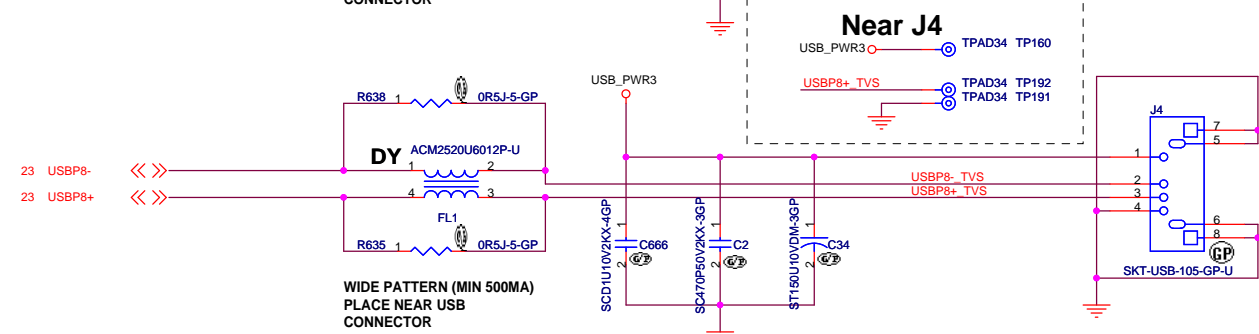
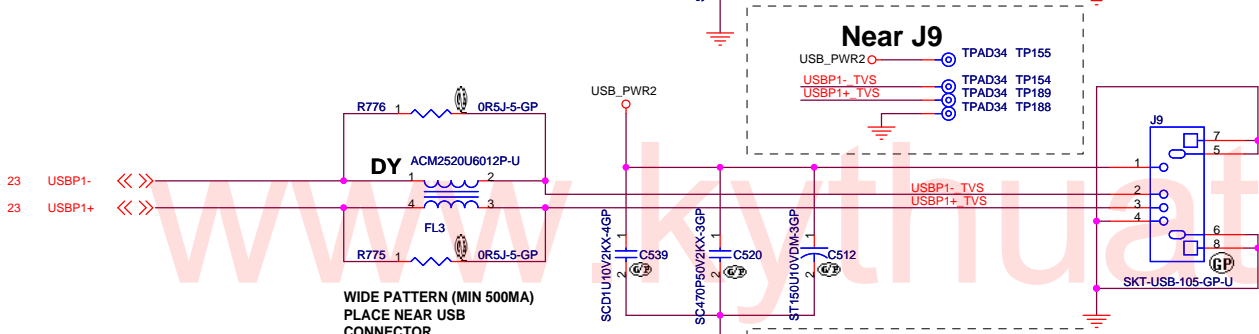
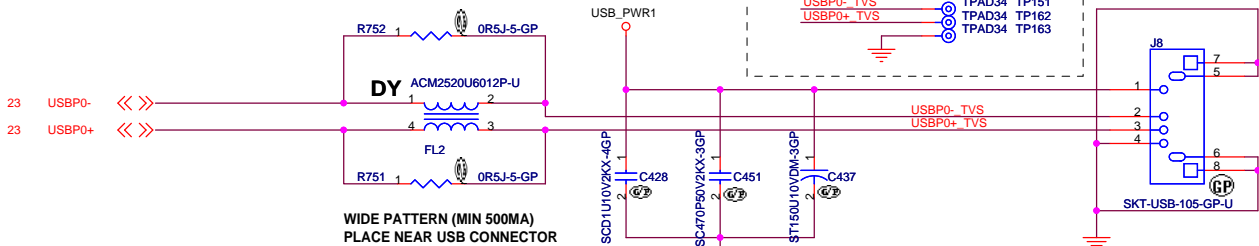
# SATA



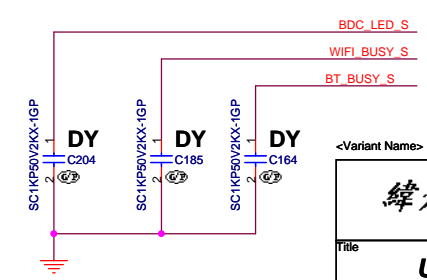
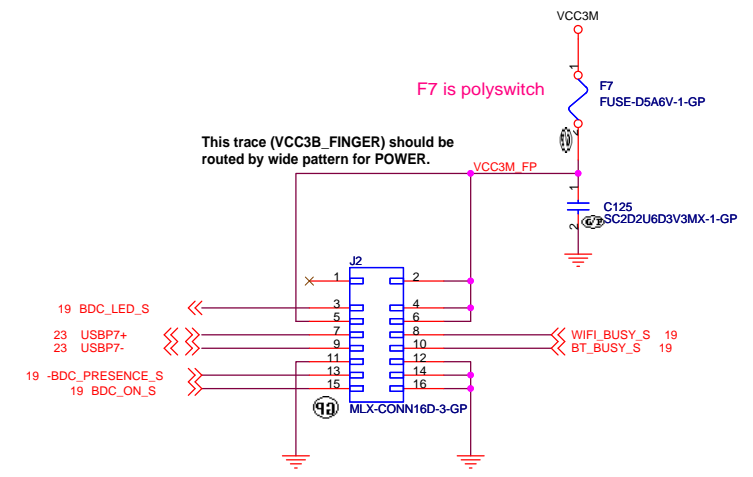
<Core Design>

 <b>Wistron Corporation</b> 21F, 88, Sec.1, Hsin Tai Wu Rd., Hsichih, Taipei Hsien 221, Taiwan, R.O.C.	
<b>Board To Board CONN</b>	
Title Size A4	Document Number <b>KS note-3</b>
Date: Tuesday, March 20, 2007	Rev -1 Sheet 45 of 78

COMMON MODE CHOKE COIL: TDK ACM2520U  
 PLACED THESE RESISTORS AS THE CHOKE COIL ARE ALSO  
 PLACED ON THE SMA PADS OF THESE TWO 0-OHM  
 RESISTORS



## Fingerprint Reader for KS-3 BDC for Dali-2

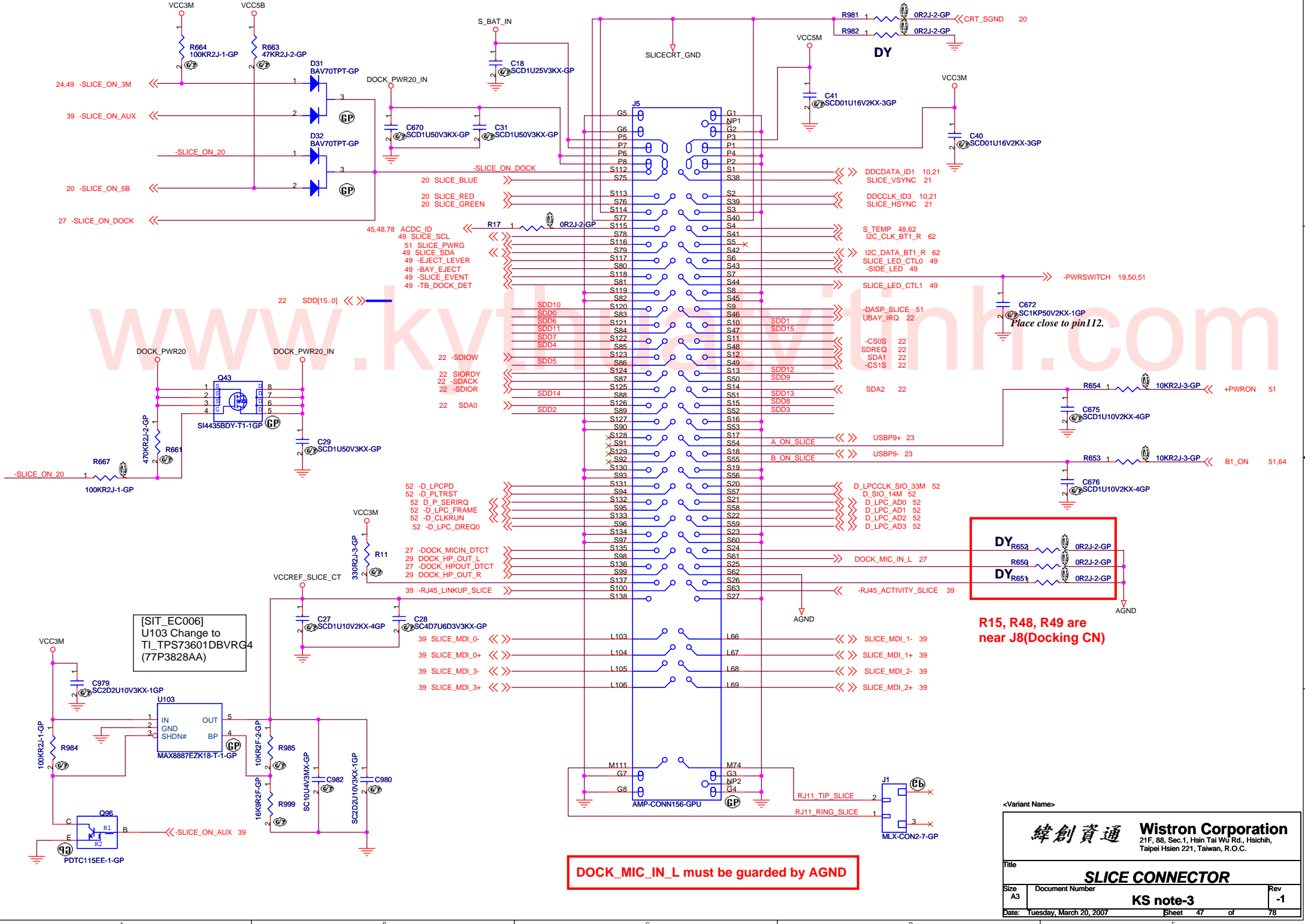


<Variant Name>

**緯創資通 Wistron Corporation**  
 21F, 88, Sec.1, Hsin Tai WJ Rd., Hsichih,  
 Taipei Hsien 221, Taiwan, R.O.C.

Title: **USB POWER / CONNECTOR**

Size: A3	Document Number: <b>KS note-3</b>	Rev: -1
Date: Tuesday, March 20, 2007	Sheet: 46	of 78



www.kvth.com

**Place close to pin112.**

**R15, R48, R49 are near J8(Docking CN)**

**DOCK\_MIC\_IN\_L must be guarded by AGND**

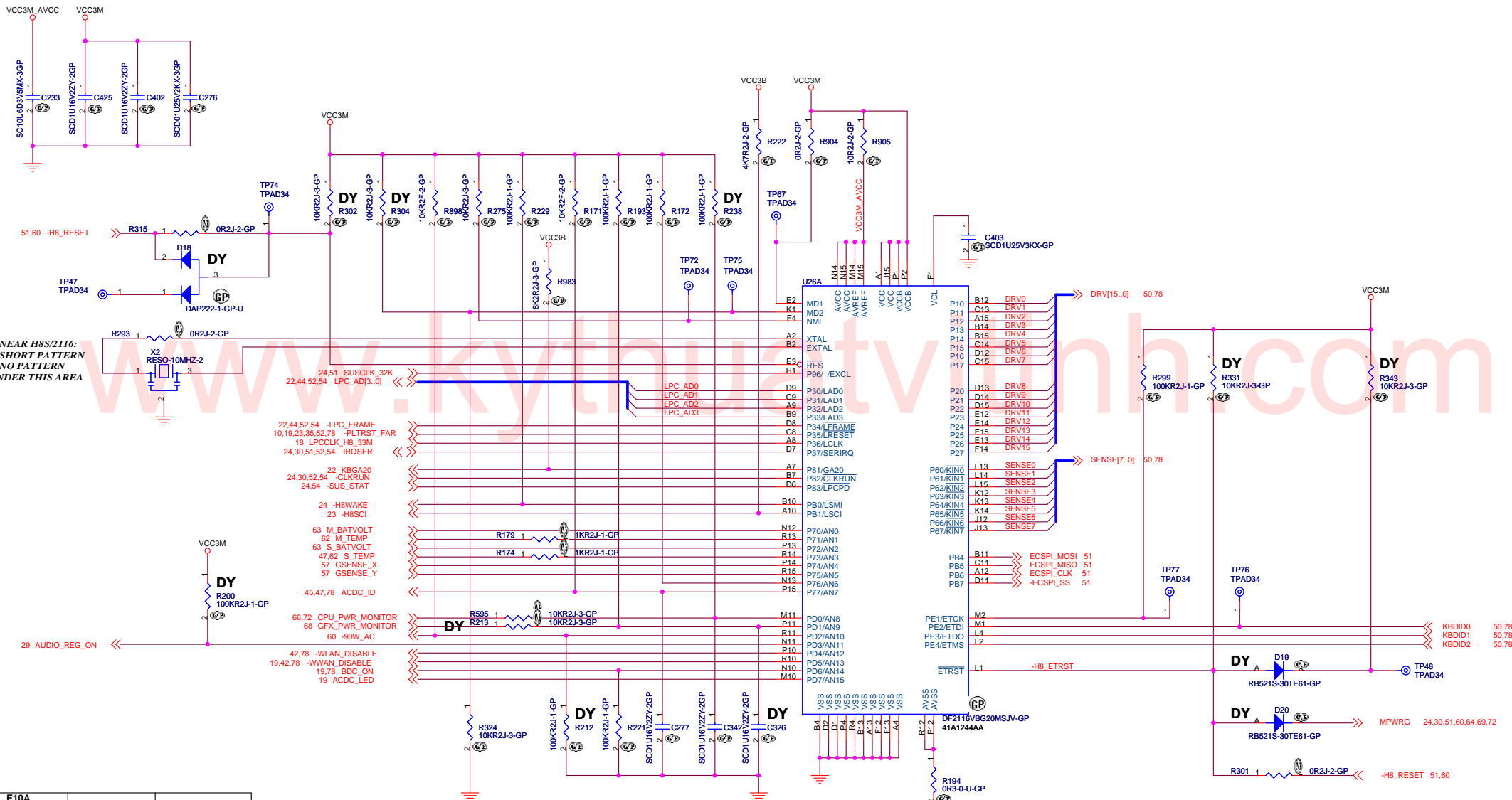
<Variant Name>

**緯創資通 Wistron Corporation**  
 21F, 88, Sec.1, Hsin Tai Wu Rd., Hsichih, Taipei Hsien 221, Taiwan, R.O.C.

Title: **SLICE CONNECTOR**

Size: A3 Document Number: **KS note-3** Rev: -1

Date: Tuesday, March 20, 2007 Sheet: 47 of 78



1. NEAR H8S/2116:  
 2. SHORT PATTERN  
 3. NO PATTERN  
 UNDER THIS AREA

E10A Debug I/F	Enable	Disable
R301	NO ASM	ASM
R315	NO ASM	ASM
D18	ASM	NO ASM
D19	ASM	NO ASM
D20	ASM	NO ASM
R302	ASM	NO ASM
R304	ASM	NO ASM
R331	ASM	NO ASM
R343	ASM	NO ASM

<Variant Name>

**緯創資通 Wistron Corporation**  
 21F, 88, Sec.1, Hsin Tai Wu Rd., Hsichih,  
 Taipei Hsien 221, Taiwan, R.O.C.

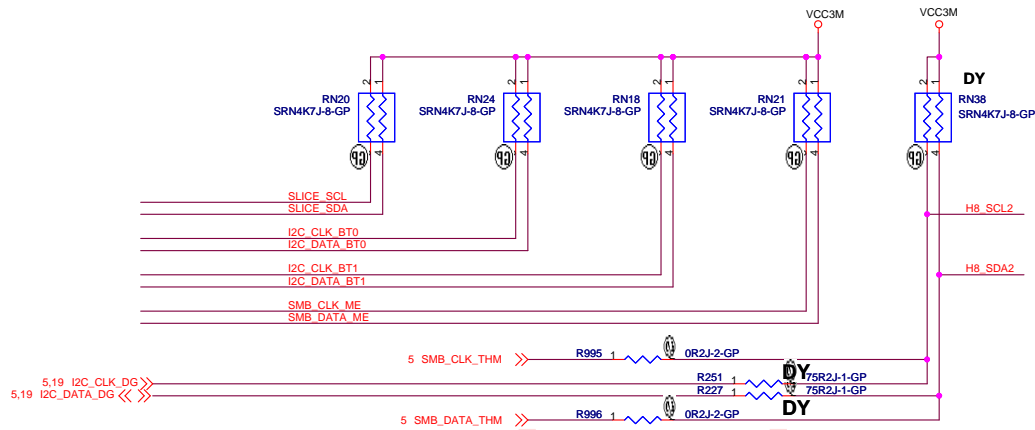
Title: **H8S2116 (1/2)**

Size: Custom Document Number: **KS note-3** Rev: **-1**

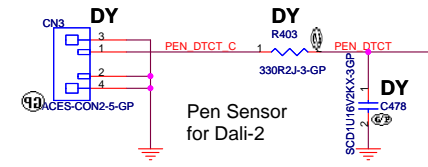
Date: Tuesday, March 20, 2007 Sheet 48 of 78



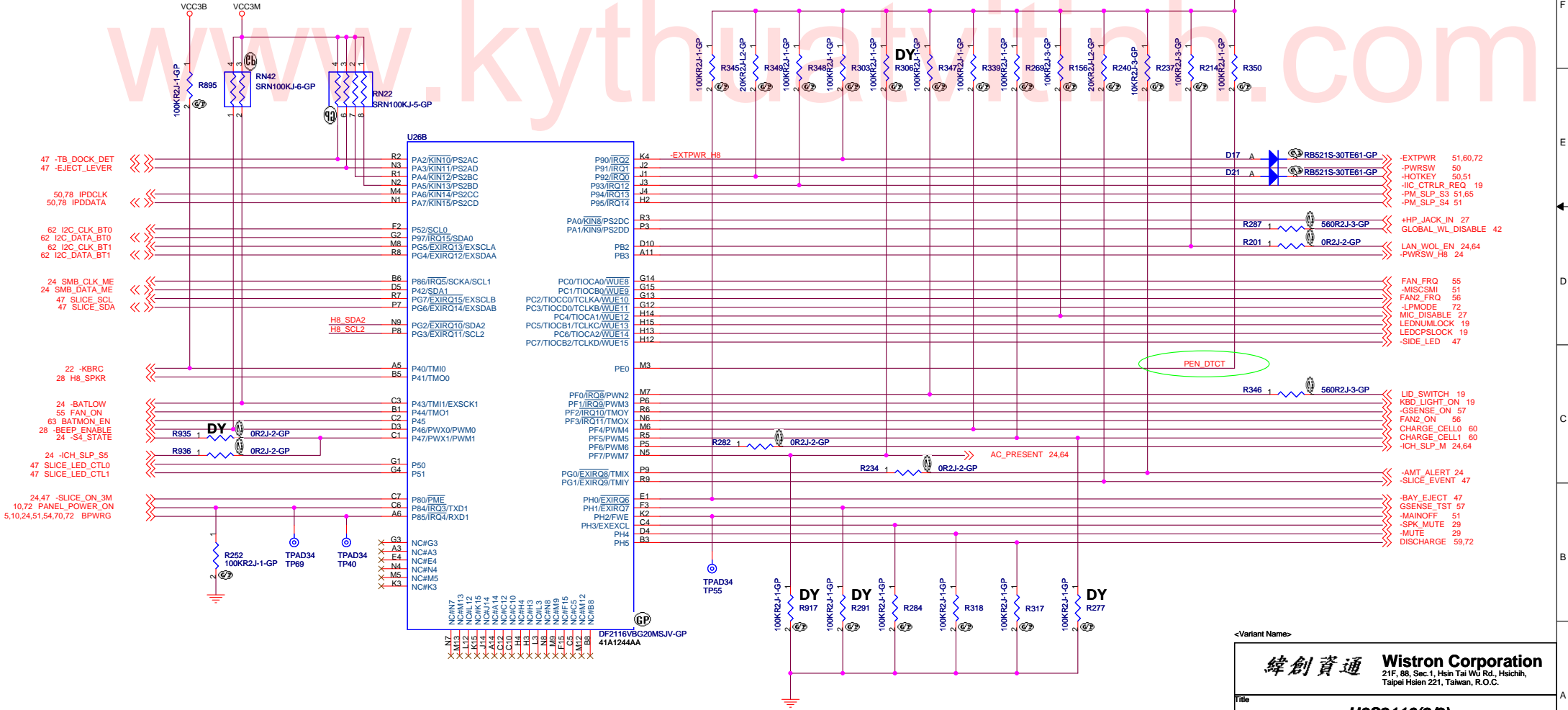
Place	KS-3	Dali-2	Notes
R403	Dummy	ASM	DALI2 PenDetect Sensor
C478	Dummy	ASM	
CN3	Dummy	ASM	
RN38	Dummy	ASM	KS3 ThermalSensor IIC BUS
R251	Dummy	ASM	
R227	Dummy	ASM	
R995	ASM	Dummy	DALI2 uP/Thermal Sensor IIC BUS
R996	ASM	Dummy	



I2C circuit for microcontroller on LCD side



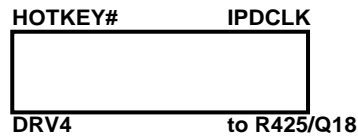
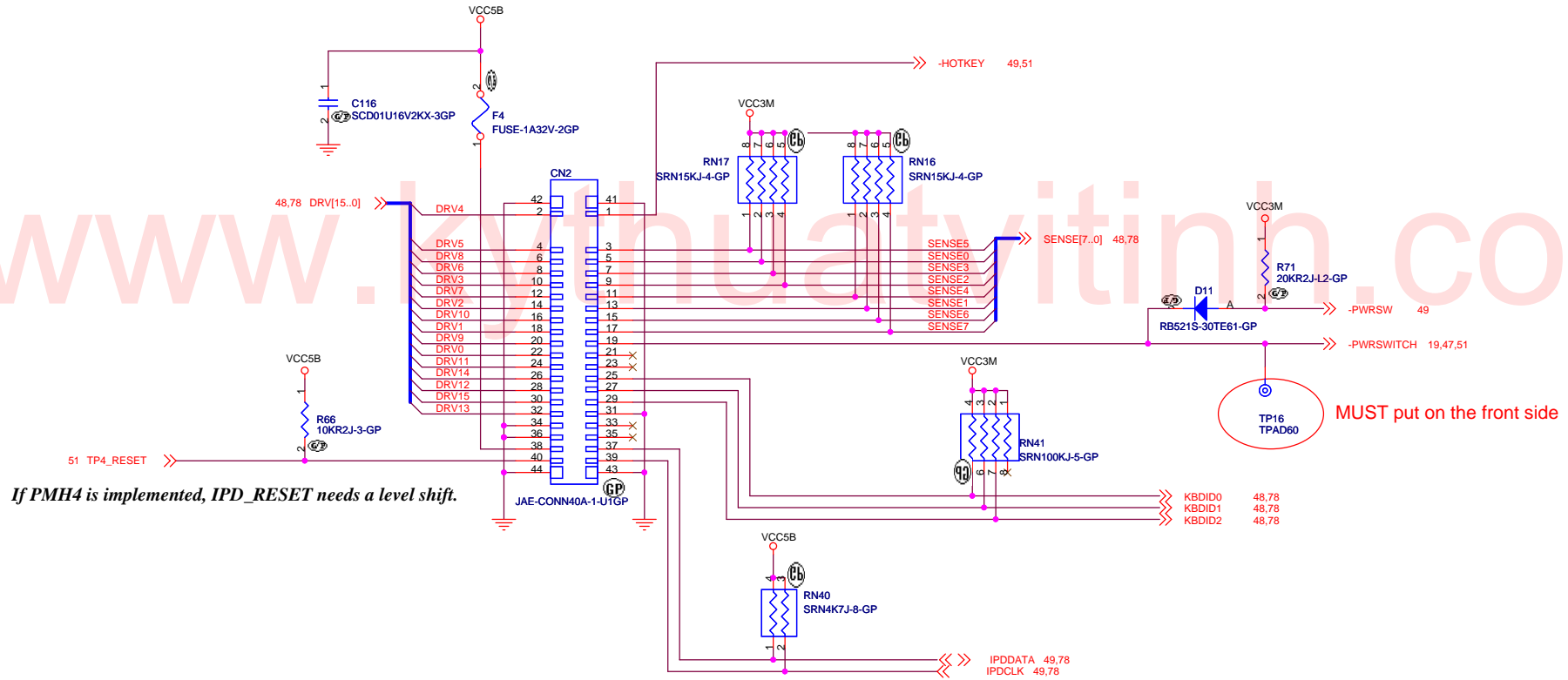
Pen Sensor for Dali-2



<Variant Name>

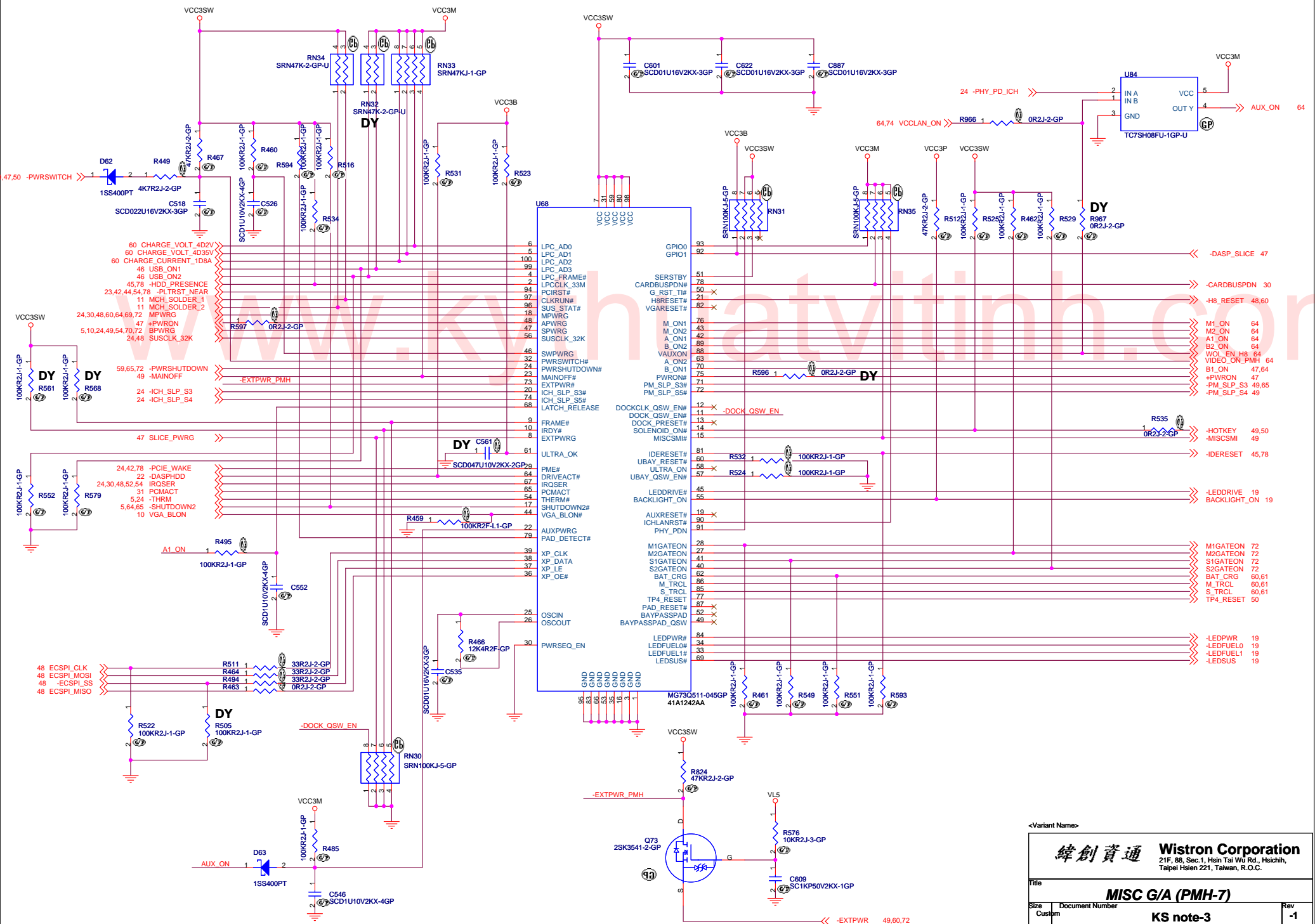
<b>緯創資通 Wistron Corporation</b>	
21F, 88, Sec.1, Hsin Tai Wu Rd., Hsichih, Taipei Hsien 221, Taiwan, R.O.C.	
<b>H8S2116(2/2)</b>	
File	
Size	Document Number
Custom	<b>KS note-3</b>
Date: Tuesday, March 20, 2007	Sheet 49 of 78
	Rev -1

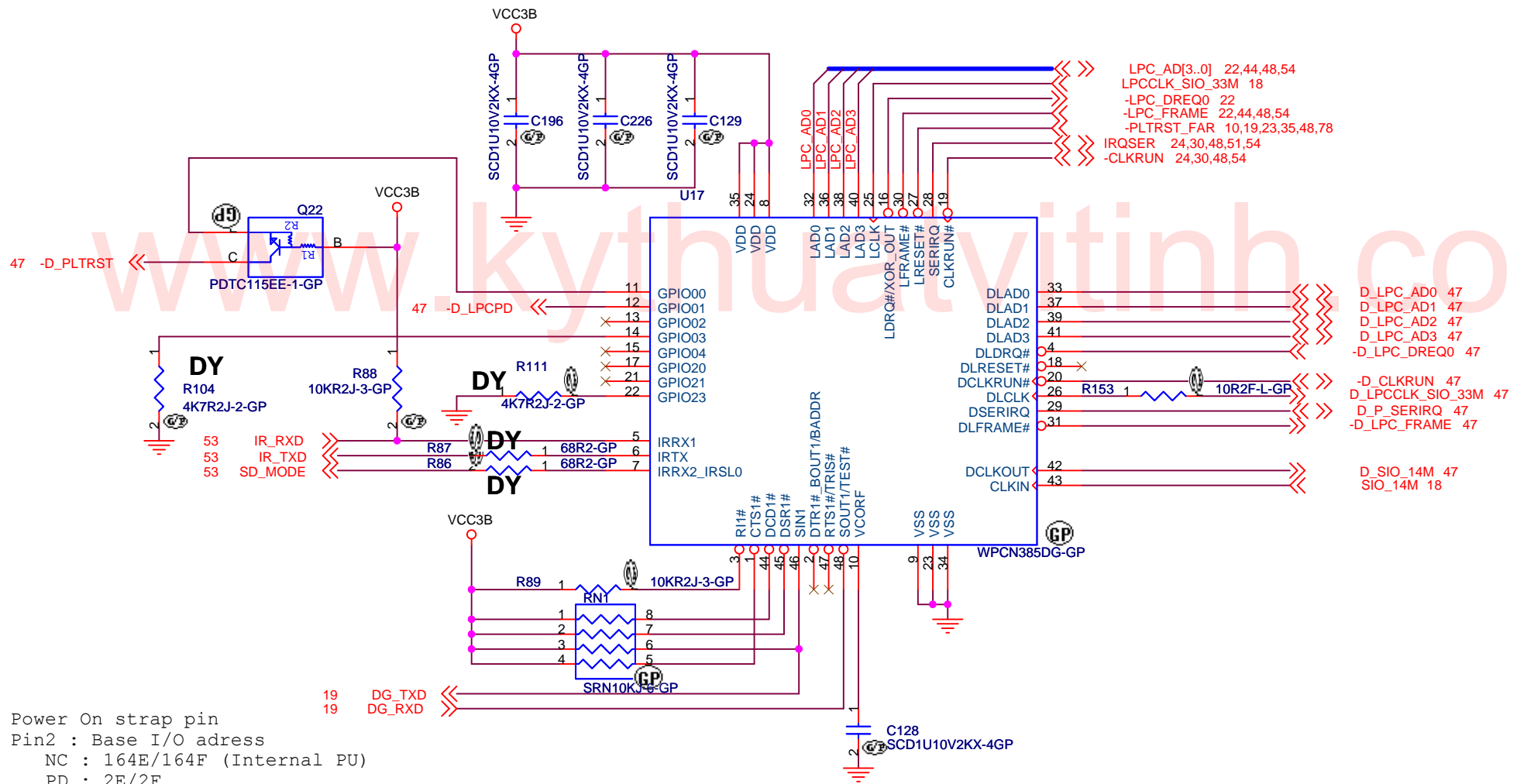
# Keyboard Connector



Keyboard Connector Top View

<Variant Name>	
<b>緯創資通 Wistron Corporation</b> 21F, 88, Sec.1, Hsin Tai WJ Rd., Hsichih, Taipei Hsien 221, Taiwan, R.O.C.	
<b>KEYBOARD CONN</b>	
Size A3	Document Number <b>KS note-3</b>
Date: Tuesday, March 20, 2007	Rev -1
Sheet 50	of 78





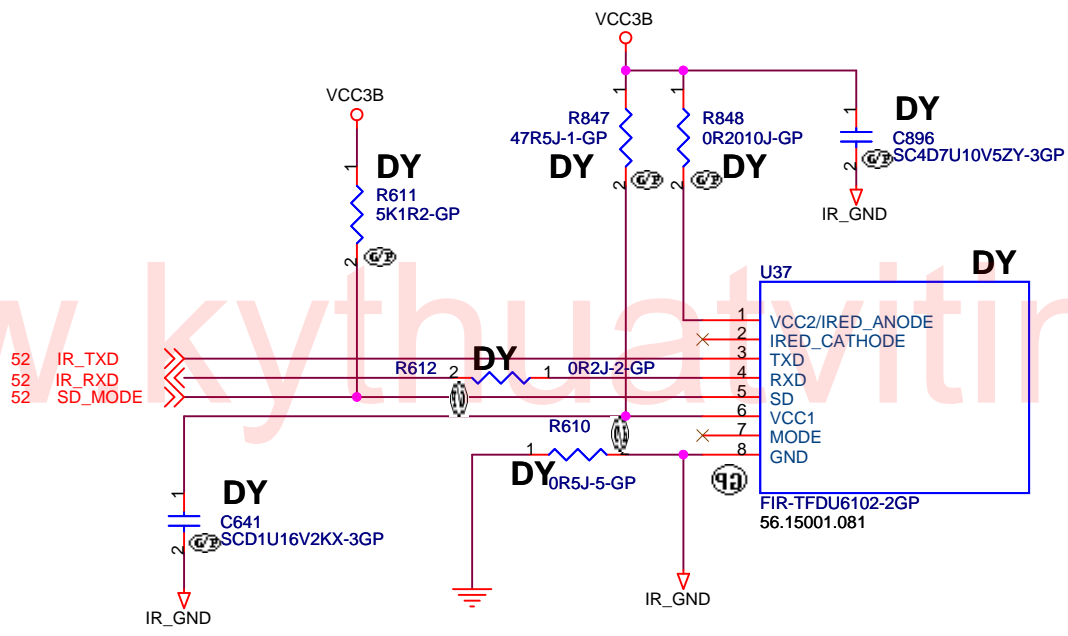
Power On strap pin  
 Pin2 : Base I/O address  
 NC : 164E/164F (Internal PU)  
 PD : 2E/2F  
 Pin31 : LPC Switch function  
 NC : Switch Enable(controlle by DLCON bit)  
 PD : Switch Disable(forced to be Dissconnected)  
 Pin47 : Tristate  
 NC : Normal Operation  
 PD : All pins floting  
 Pin48 : Test  
 NC : Normal Operation  
 PD : Test mode

LPC\_AD[3..0] 22,44,48,54  
 LPCCLK\_SIO\_33M 18  
 -LPC\_DREQ0 22  
 -LPC\_FRAME 22,44,48,54  
 -PLTRST\_FAR 10,19,23,35,48,78  
 IRQSER 24,30,48,51,54  
 -CLKRUN 24,30,48,54

D\_LPC\_AD0 47  
 D\_LPC\_AD1 47  
 D\_LPC\_AD2 47  
 D\_LPC\_AD3 47  
 -D\_LPC\_DREQ0 47  
 -D\_CLKRUN 47  
 -D\_LPCCLK\_SIO\_33M 47  
 -D\_P\_SERIRQ 47  
 -D\_LPC\_FRAME 47  
 D\_SIO\_14M 47  
 SIO\_14M 18

<Variant Name>

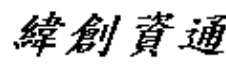
 <b>Wistron Corporation</b> 21F, 88, Sec.1, Hsin Tai Wu Rd., Hsichih, Taipei Hsien 221, Taiwan, R.O.C.		
Title		
<b>SIO NS87382</b>		
Size A4	Document Number <b>KS note-3</b>	Rev <b>-1</b>
Date: Tuesday, March 20, 2007		
Sheet 52 of		78



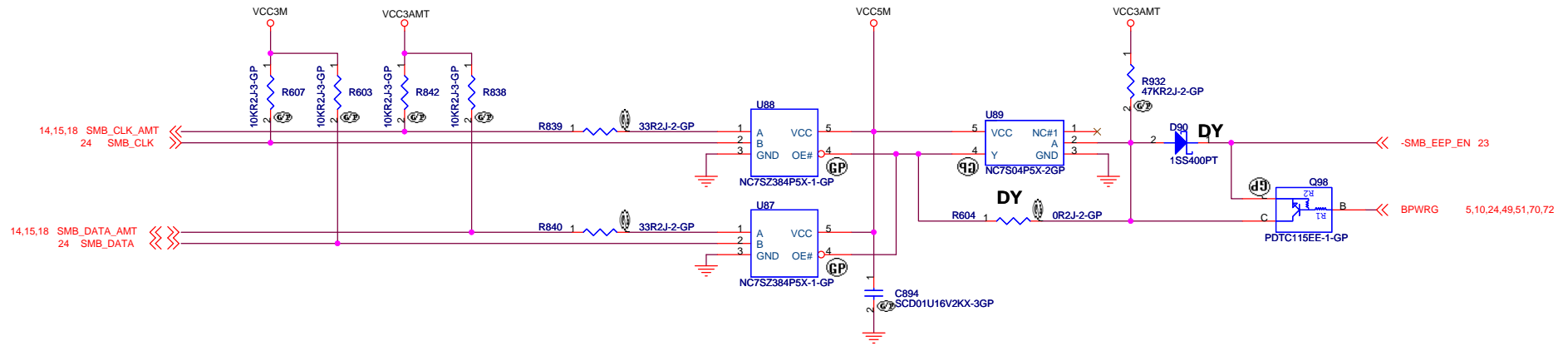
	VISHAY	ZILOG
R848	0Ω	0Ω
R847	47Ω	68Ω
C896	4.7uF	10uF
C641	0.1uF	1uF

VISHAY TFDU6102-TR3 : 56.15001.081  
 ZILOG ZHX2022 : 56.15004.011

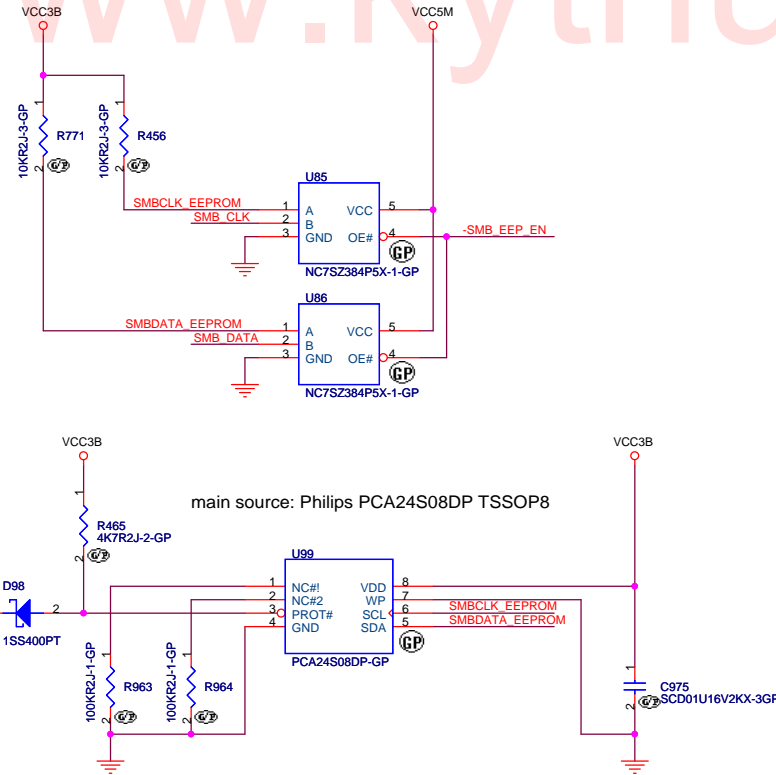
<Variant Name>

 <b>Wistron Corporation</b> 21F, 88, Sec.1, Hsin Tai Wu Rd., Hsichih, Taipei Hsien 221, Taiwan, R.O.C.	
<b>IR MODULE</b>	
Size A4	Document Number <b>KS note-3</b>
Date: Tuesday, March 20, 2007	Rev <b>-1</b>
Sheet 53 of 78	

U85, U86 U87, U88  
 [Sourcing Candidate]  
 Toshiba TC7SB384FU  
 TI SN74CBT1G384DCKR  
 Fairchild NC7SZ384

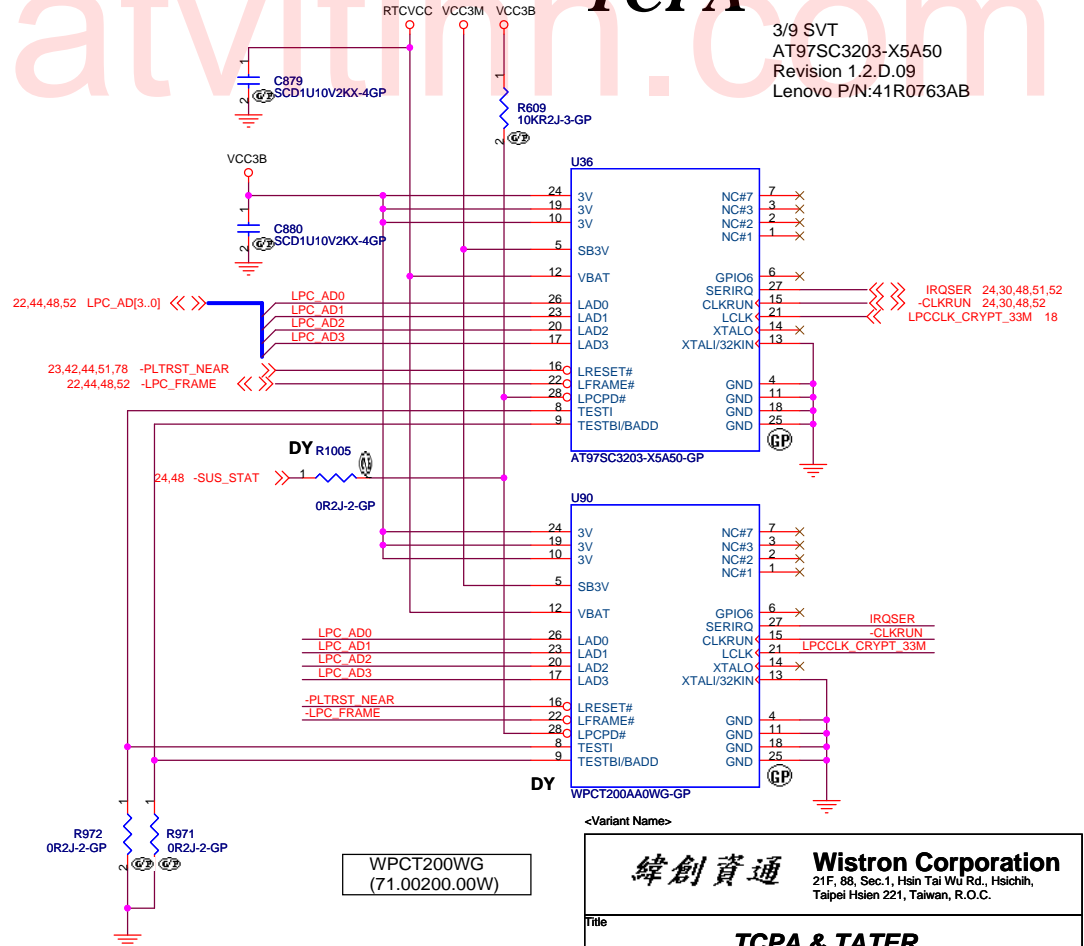


# TATER



# TCPA

3/9 SVT  
 AT97SC3203-X5A50  
 Revision 1.2.D.09  
 Lenovo P/N:41R0763AB



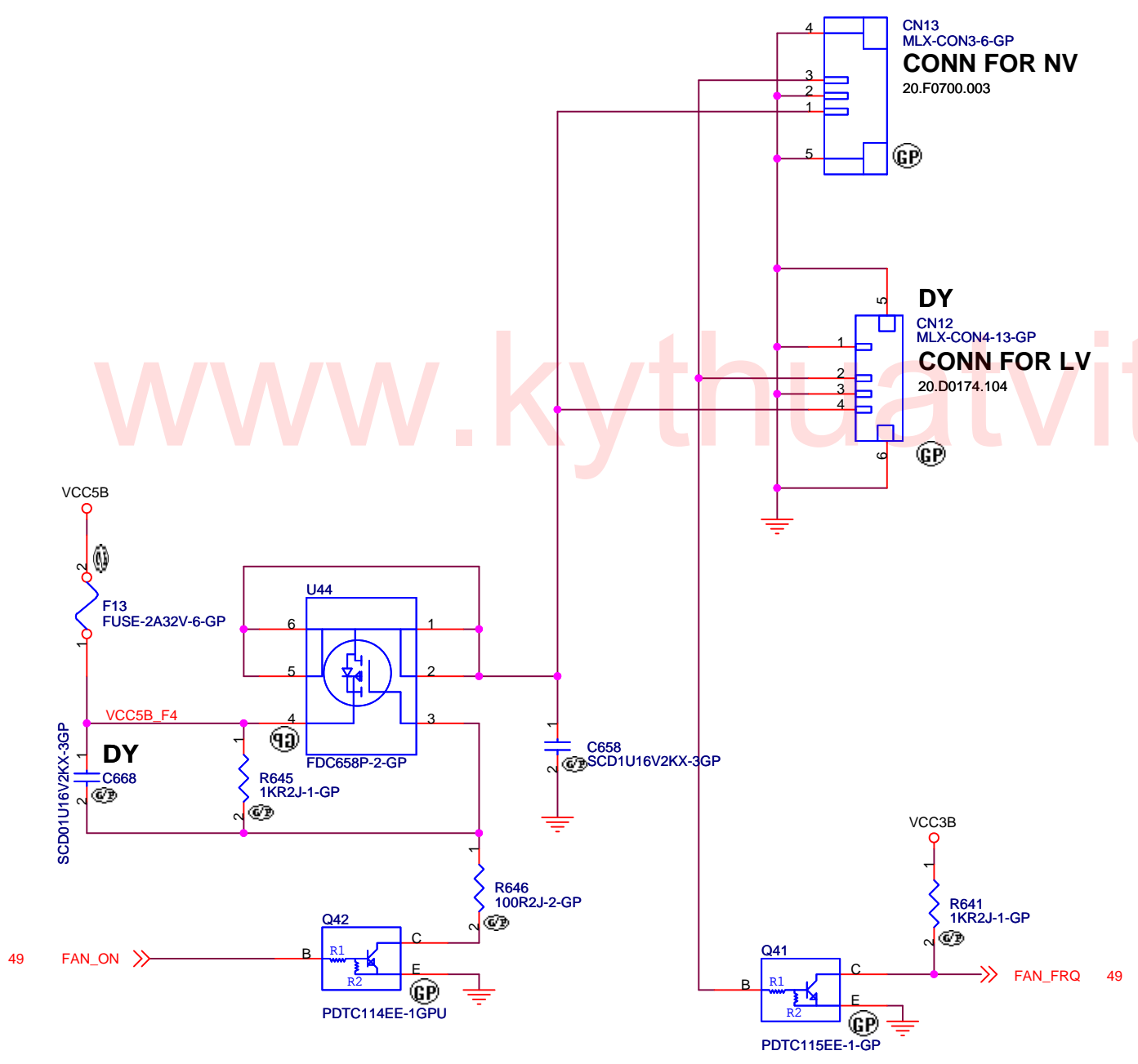
WPCT200WG  
 (71.00200.00W)

<Variant Name>

**緯創資通** Wistron Corporation  
 21F, 88, Sec.1, Hsin Tai Wu Rd., Hsichih,  
 Taipei Hsien 221, Taiwan, R.O.C.

Title: **TCPA & TATER**

Size: A3	Document Number: <b>KS note-3</b>	Rev: -1
Date: Tuesday, March 20, 2007	Sheet: 54	of 78



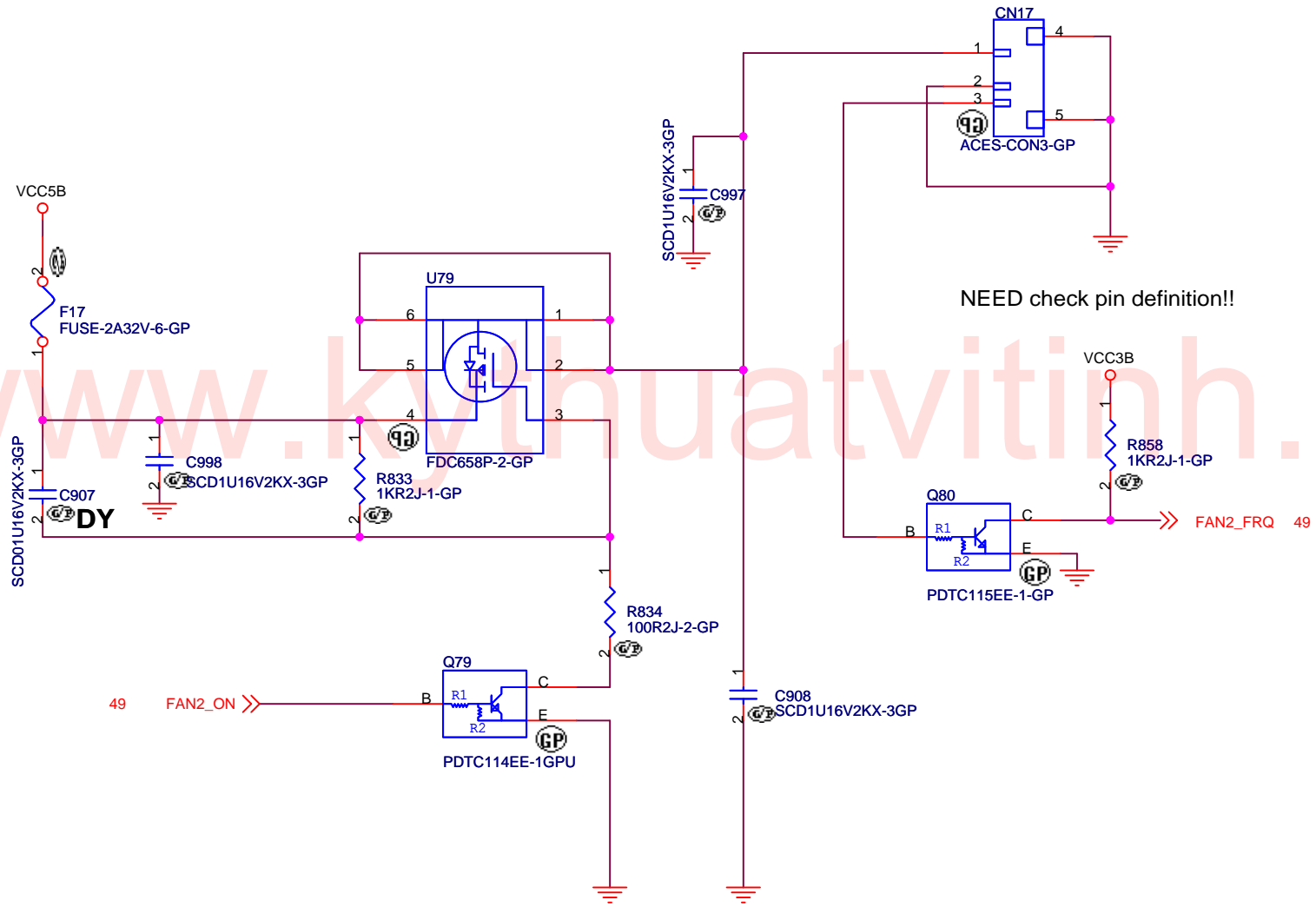
www.kythuatvithinh.com

<Variant Name>

**緯創資通** **Wistron Corporation**  
 21F, 88, Sec.1, Hsin Tai Wu Rd., Hsichih,  
 Taipei Hsien 221, Taiwan, R.O.C.

Title **FAN CONTROL**

Size A4	Document Number <b>KS note-3</b>	Rev -1
------------	-------------------------------------	-----------

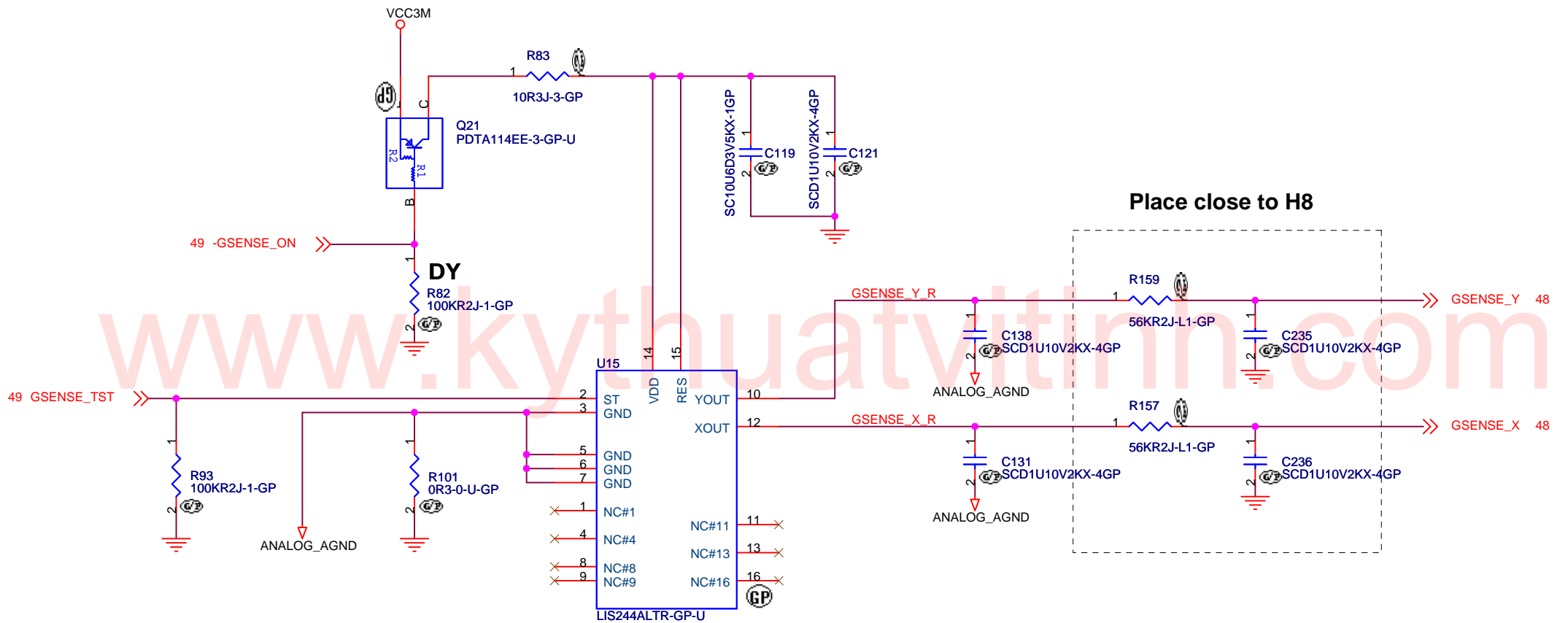


www.kyuhuatvith.com

<Variant Name>

 <b>Wistron Corporation</b> 21F, 88, Sec.1, Hsin Tai Wu Rd., Hsichih, Taipei Hsien 221, Taiwan, R.O.C.	
<b>Title</b> <b>2nd FAN CONTROL</b>	
<b>Size</b> A4	<b>Document Number</b> <b>KS note-3</b>
<b>Date</b> Tuesday, March 20, 2007	
<b>Rev</b> -1	
<b>Sheet</b> 56 <b>of</b> 78	





Primary : ADI ADXL322  
 2nd : STMicro LIS244AL

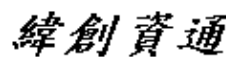
Width = 6 mil & Spacing = 10 mil  
 for three Output traces

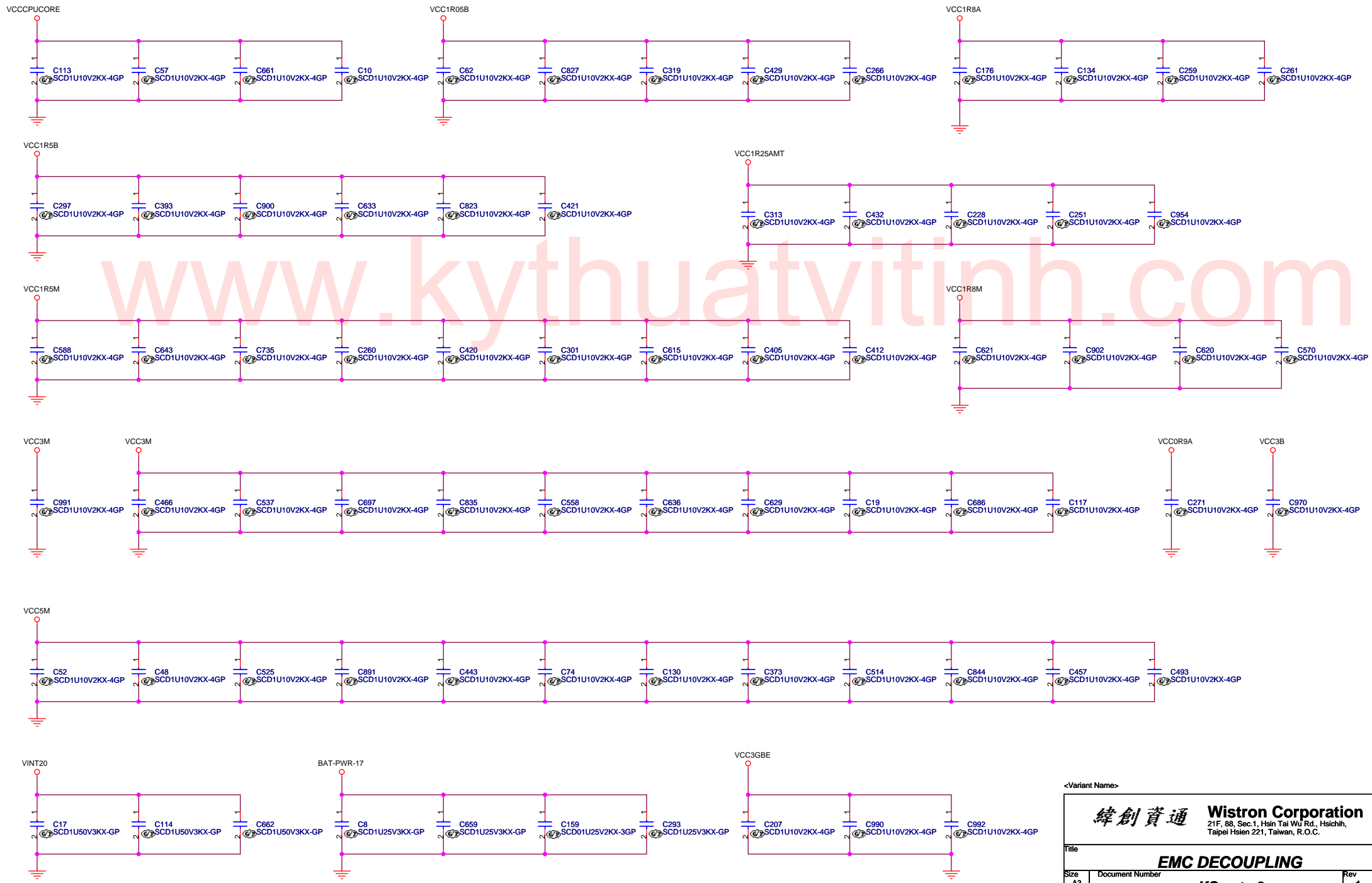
**Layout Comment :**

- (1) Place C138, C131, Q21, R82, R83, C119, C121, R93, R101 close to U15.
- (2) Avoid routing under DCDC switching area.

	ADXL322 LIS244AL	No Accel
R82	NO_ASM	ASM
R93	ASM	ASM
All other	ASM	NO_ASM

<Variant Name>

 <b>Wistron Corporation</b> 21F, 88, Sec.1, Hsin Tai Wu Rd., Hsichih, Taipei Hsien 221, Taiwan, R.O.C.		
<b>G-SENSOR</b>		
Size A4	Document Number <b>KS note-3</b>	Rev <b>-1</b>
Date: Tuesday, March 20, 2007		Sheet 57 of 78



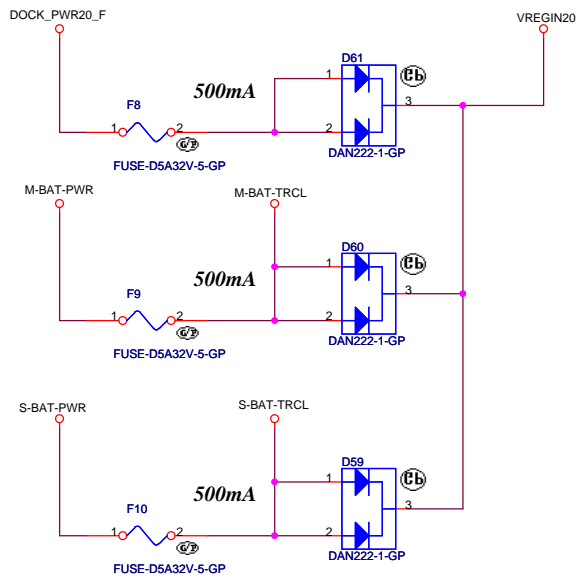
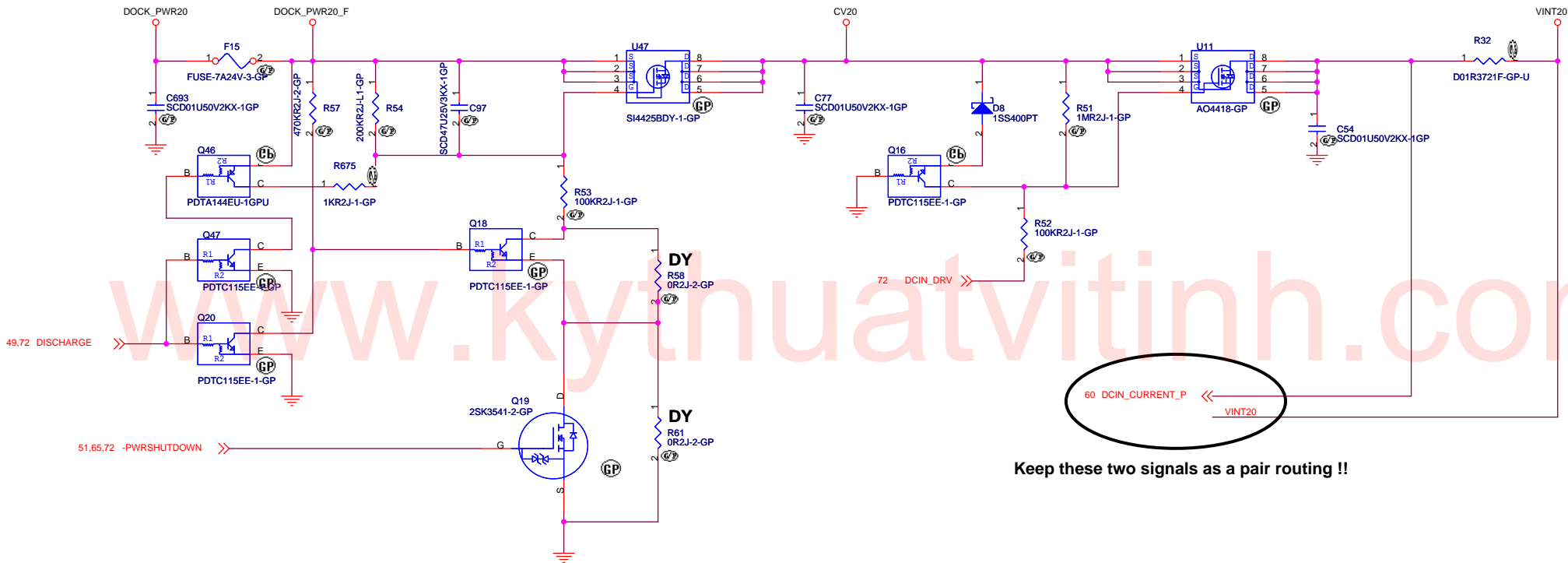
www.kythuatvith.com

<Variant Name>

**緯創資通 Wistron Corporation**  
 21F, 88, Sec.1, Hsin Tai Wu Rd., Hsichih, Taipei Hsien 221, Taiwan, R.O.C.

Title: **EMC DECOUPLING**

Size: A3	Document Number: <b>KS note-3</b>	Rev: <b>-1</b>
Date: Tuesday, March 20, 2007	Sheet: 58 of 78	



<Variant Name>

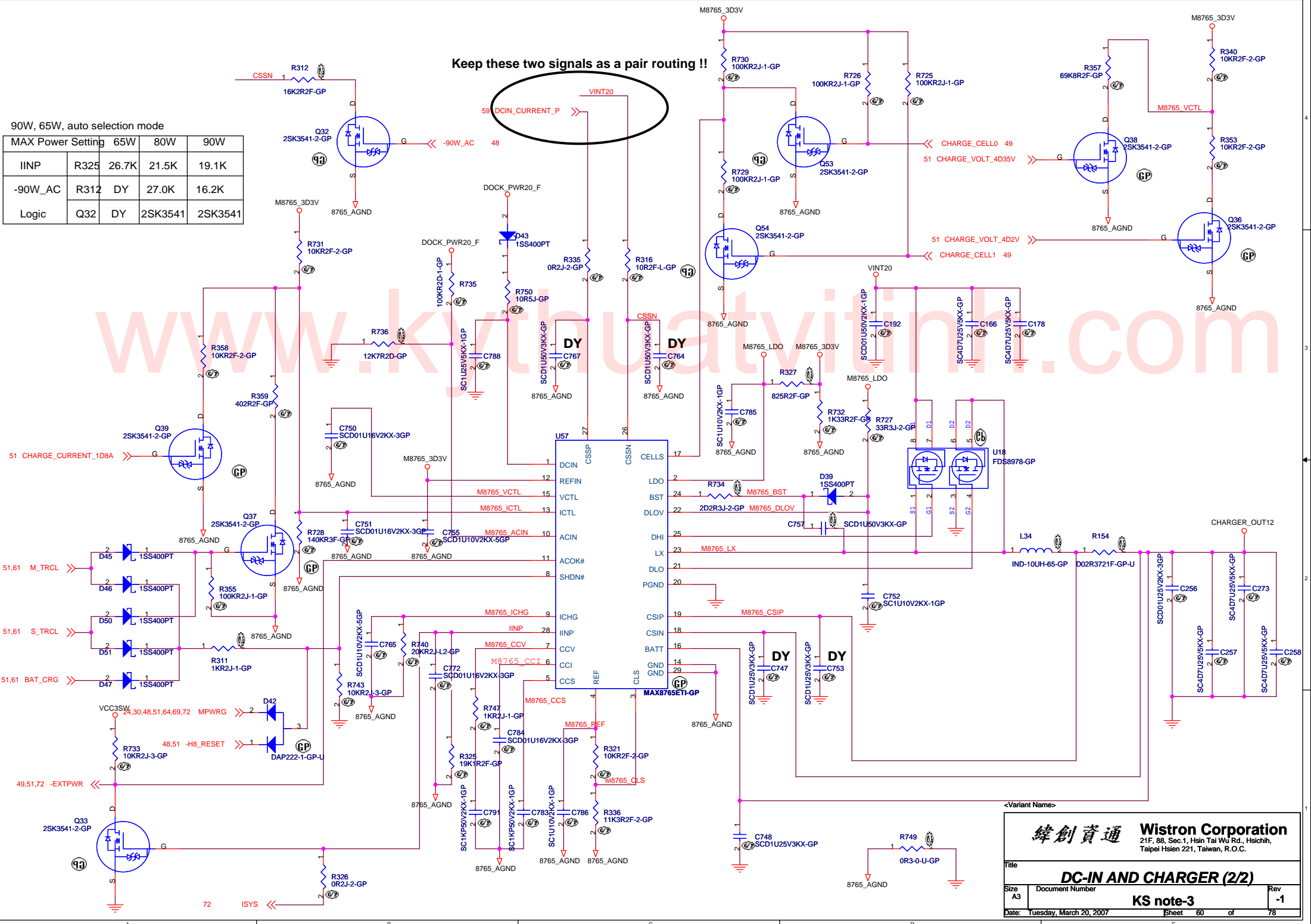
**緯創資通** Wistron Corporation  
 21F, 88, Sec.1, Hsin Tai WJ Rd., Hsichih,  
 Taipei Hsien 221, Taiwan, R.O.C.

Title <b>DC-IN AND CHARGER (1/2)</b>		
Size A3	Document Number <b>KS note-3</b>	Rev -1
Date: Tuesday, March 20, 2007	Sheet 59	of 78

90W, 65W, auto selection mode

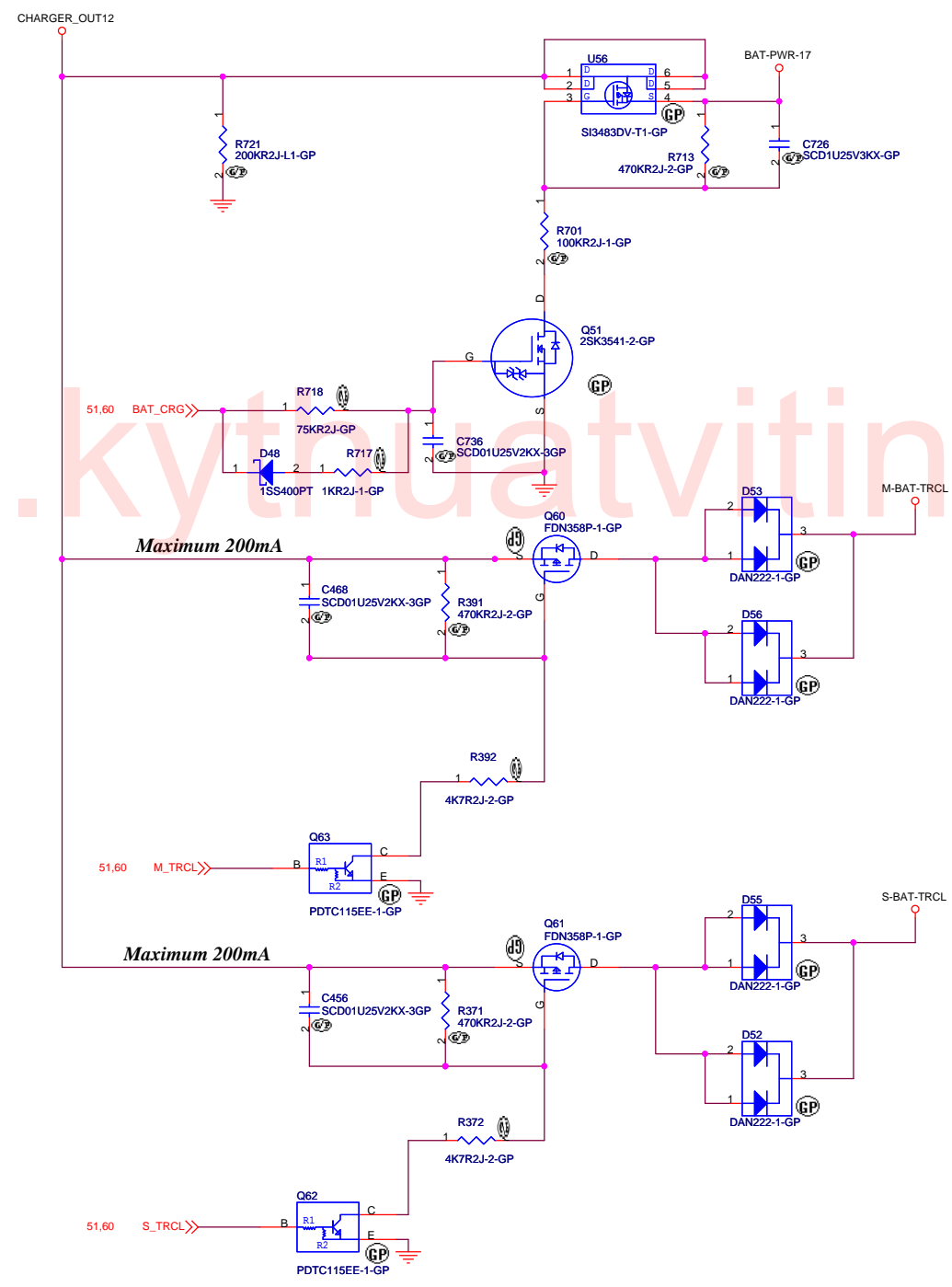
MAX Power Setting	65W	80W	90W
IINP	R325 26.7K	21.5K	19.1K
-90W_AC	R312 DY	27.0K	16.2K
Logic	Q32 DY	2SK3541	2SK3541

Keep these two signals as a pair routing !!



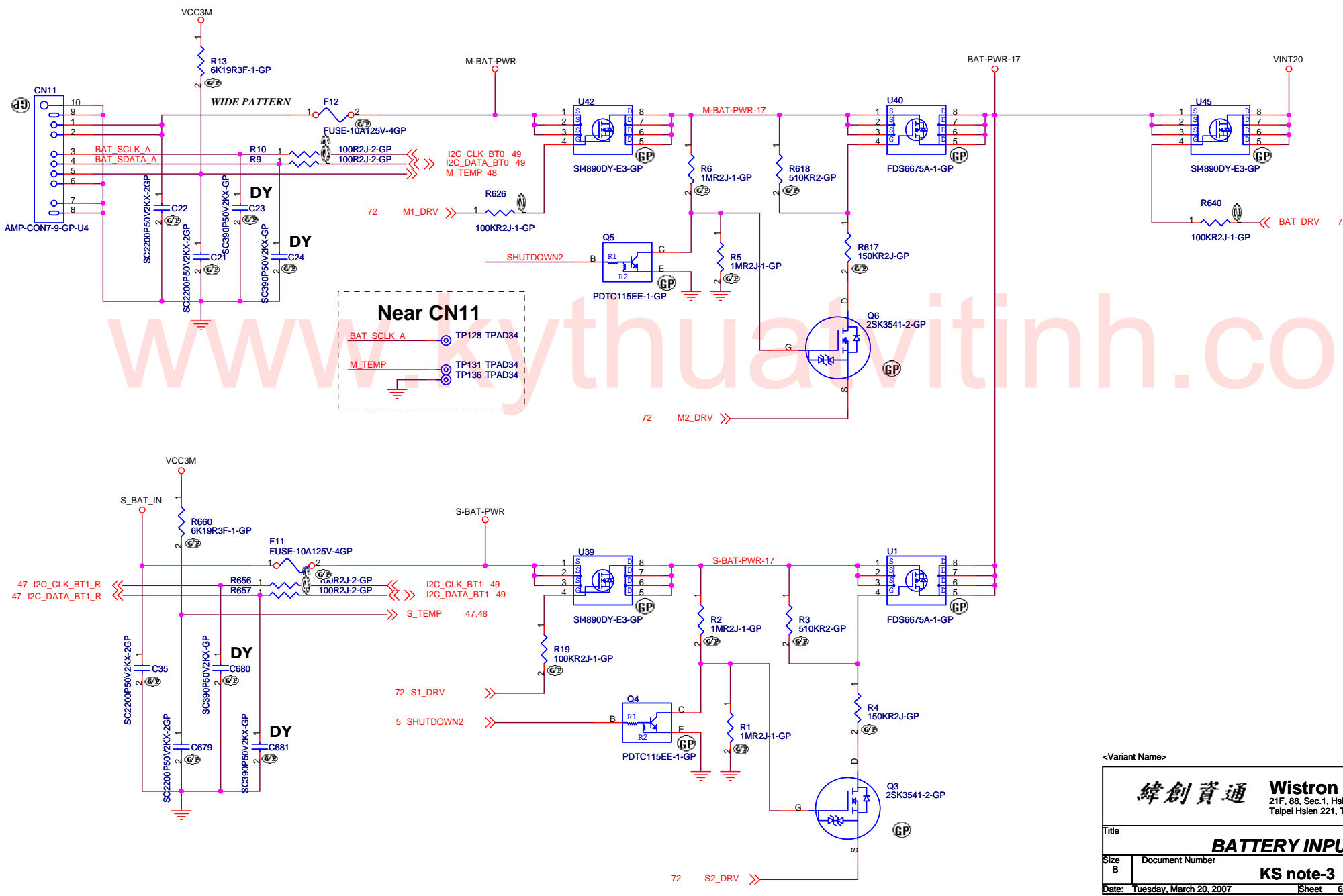
<Variant Name>

<b>緯創資通 Wistron Corporation</b>	
21F, 88, Sec.1, Hsin Tai Wu Rd., Hsichih, Taipei Hsien 221, Taiwan, R.O.C.	
<b>DC-IN AND CHARGER (2/2)</b>	
Title	Document Number
Size A3	KS note-3
Date: Tuesday, March 20, 2007	Sheet 60 of 78



www.kytruatvith.com

<Variant Name>		<b>緯創資通</b> Wistron Corporation 21F, 88, Sec.1, Hsin Tai Wu Rd., Hsichih, Taipei Hsien 221, Taiwan, R.O.C.	
Title			
<b>CHARGER SELECT</b>		Size	Rev
A3	Document Number	KS note-3	-1
Date: Tuesday, March 20, 2007	Sheet 61	of 78	



<Variant Name>

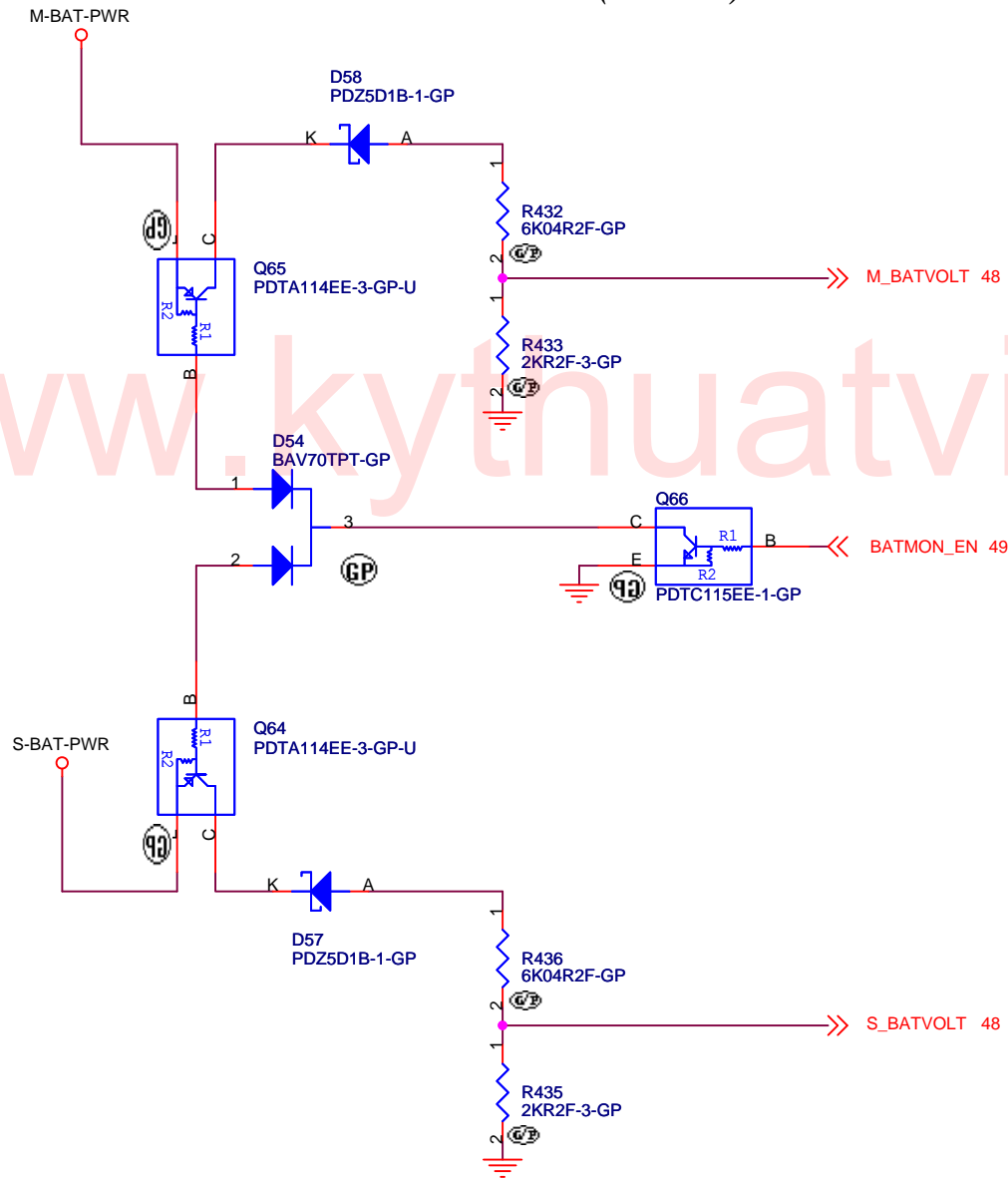
**緯創資通 Wistron Corporation**  
 21F, 88, Sec.1, Hsin Tai Wu Rd., Hsichih,  
 Taipei Hsien 221, Taiwan, R.O.C.

Title: **BATTERY INPUT**

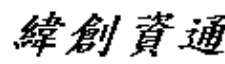
Size B	Document Number	Rev
	<b>KS note-3</b>	<b>-1</b>

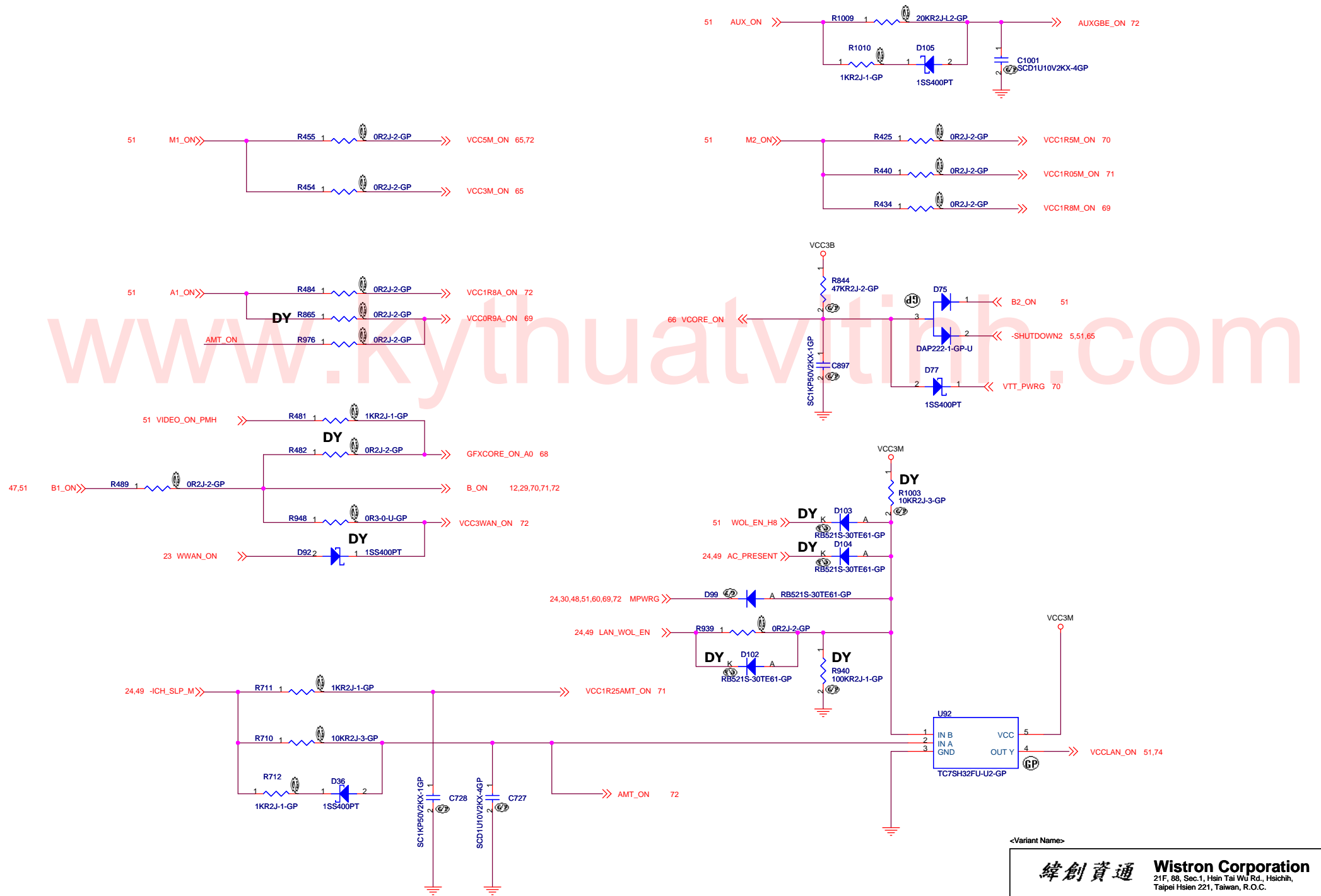
Date: Tuesday, March 20, 2007 Sheet 62 of 78

$$V_{OUT} = 0.249 (V_{BAT} - 5)$$



<Variant Name>

 <b>Wistron Corporation</b> 21F, 88, Sec.1, Hsin Tai Wu Rd., Hsichih, Taipei Hsien 221, Taiwan, R.O.C.		
<b>BATTERY MONITOR</b>		
Size A4	Document Number <b>KS note-3</b>	Rev <b>-1</b>
Date: Tuesday, March 20, 2007	Sheet 63 of 78	

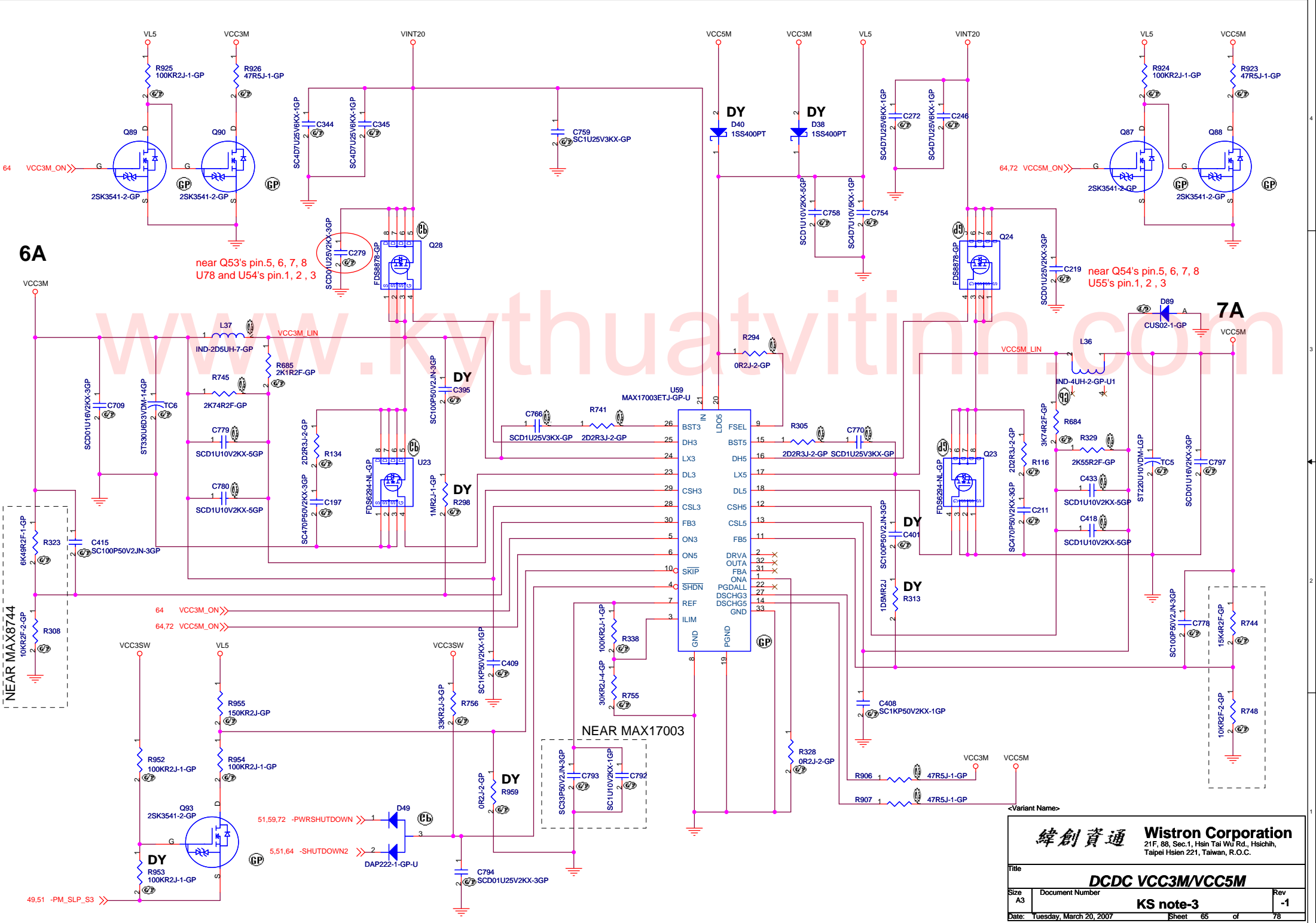


www.kythuatvnh.com

<Variant Name>

<b>緯創資通</b>		<b>Wistron Corporation</b>	
		21F, 88, Sec.1, Hsin Tai Wu Rd., Hsichih, Taipei Hsien 221, Taiwan, R.O.C.	
<b>POWER SEQUENCE</b>			
Title	Document Number		Rev
Size A3	<b>KS note-3</b>		-1
Date: Tuesday, March 20, 2007	Sheet	64	of 78





6A

7A

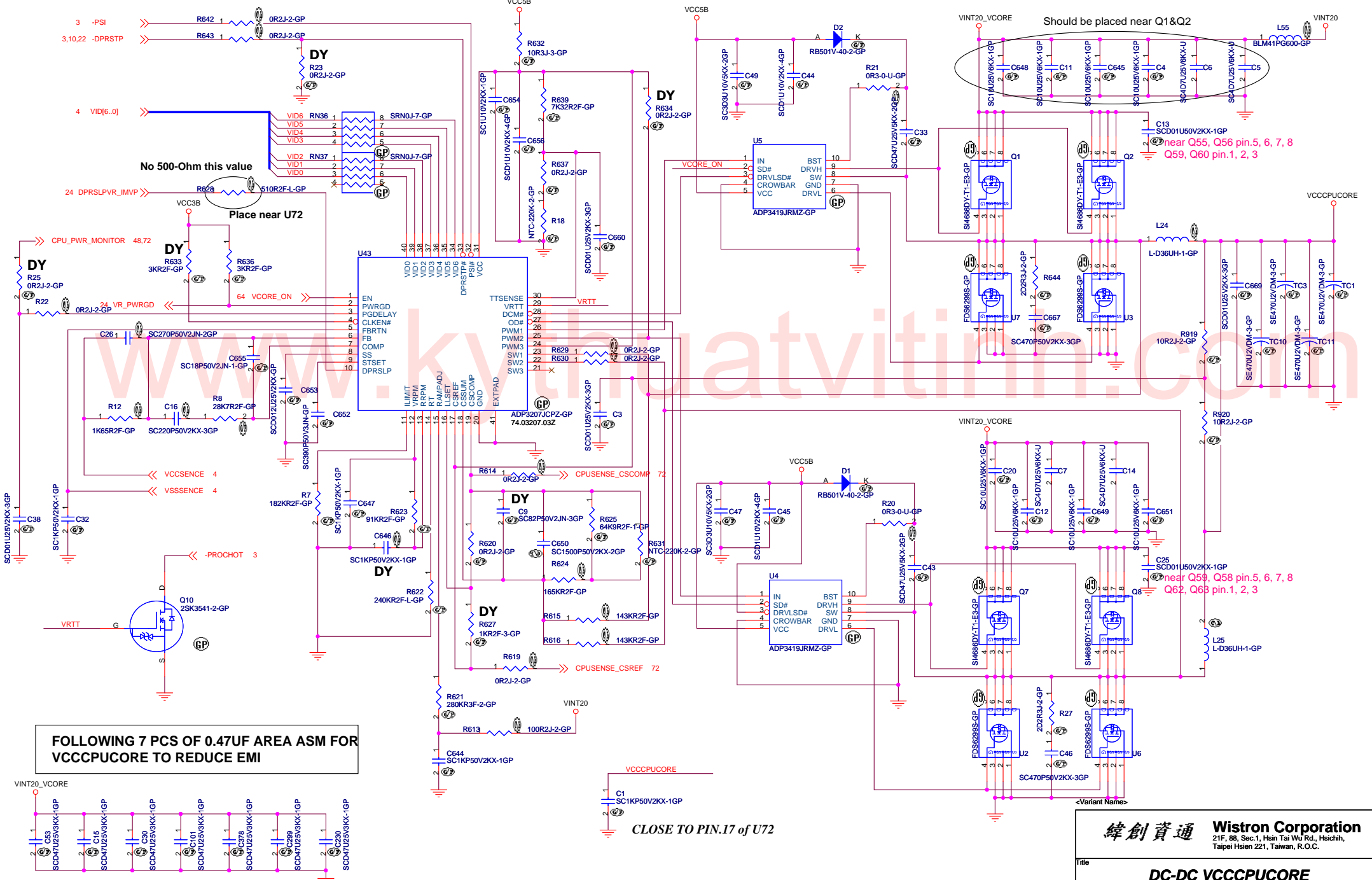
near Q53's pin.5, 6, 7, 8  
U78 and U54's pin.1, 2, 3

near Q54's pin.5, 6, 7, 8  
U55's pin.1, 2, 3

NEAR MAX8744

NEAR MAX17003

<b>Wistron Corporation</b> 21F, 88, Sec.1, Hsin Tai Wu Rd., Hsichih, Taipei Hsien 221, Taiwan, R.O.C.	
<b>DCDC VCC3M/VCC5M</b>	
Title	Document Number
Size A3	Rev -1
<b>KS note-3</b>	
Date: Tuesday, March 20, 2007	Sheet 65 of 78



No 500-Ohm this value  
Place near U72

Should be placed near Q1&Q2  
near Q55, Q56 pin.5, 6, 7, 8  
Q59, Q60 pin.1, 2, 3

near Q59, Q58 pin.5, 6, 7, 8  
Q62, Q63 pin.1, 2, 3

**FOLLOWING 7 PCS OF 0.47UF AREA ASM FOR VCCPCUCORE TO REDUCE EMI**

CLOSE TO PIN.17 of U72

<b>緯創資通</b>		<b>Wistron Corporation</b>	
21F, 88, Sec.1, Hsin Tai Wu Rd., Hsichih, Taipei Hsien 221, Taiwan, R.O.C.			
<b>DC-DC VCCPCUCORE</b>			
Title	Document Number	Rev	
	KS note-3	-1	
Date: Tuesday, March 20, 2007	Sheet 66 of 78		

	Reference	NV	LV	ULV	Remark	
1	C12	10uF/25V K1206/X5R	DY	DY	I/P MLCC CAP	
2	C648		DY	DY		
3	C649		10uF/25V K1206/X5R	DY		DY
4	C20			DY		DY
5	C651			DY		DY
6	C5	4.7uF/ 25V K1206/ X5R	DY	DY		
7	C6		DY	DY		
8	C7		DY	DY		
9	C14		DY	DY		
10	Q1	FDS8880	FDS8880	DY	CH1 H/S MOS	
11	U7	FDS6299S	FDS6299S	DY	CH1 L/S MOS	
12	Q8	FDS8880	DY	DY	CH2 H/S MOS	
13	U6	FDS6299S	DY	DY	CH2 L/S MOS	
14	Q7	FDS8880	DY	DY	CH2 H/S MOS	
15	U2	FDS6299S	DY	DY	CH2 L/S MOS	
16	C59	10uF/6.3V K0805/X5R	10uF/6.3V K0805/X5R	DY	O/P MLCC CAP	
17	C61			DY		DY
18	C63			DY		DY
19	C66			DY		DY
20	C81			DY		DY
21	C82			DY		DY
22	C93			DY		DY
23	C94			DY		DY
24	C106			DY		DY
25	C110			DY		DY
26	C65	22uF/6.3V M0805/X5R	22uF/6.3V M0805/X5R	DY		
27	C68			DY		DY
28	C88			DY		DY
29	C103			DY		DY
30	C105			DY		DY
31	C108			DY		DY
32	C104			DY		DY
33	C87			DY		DY

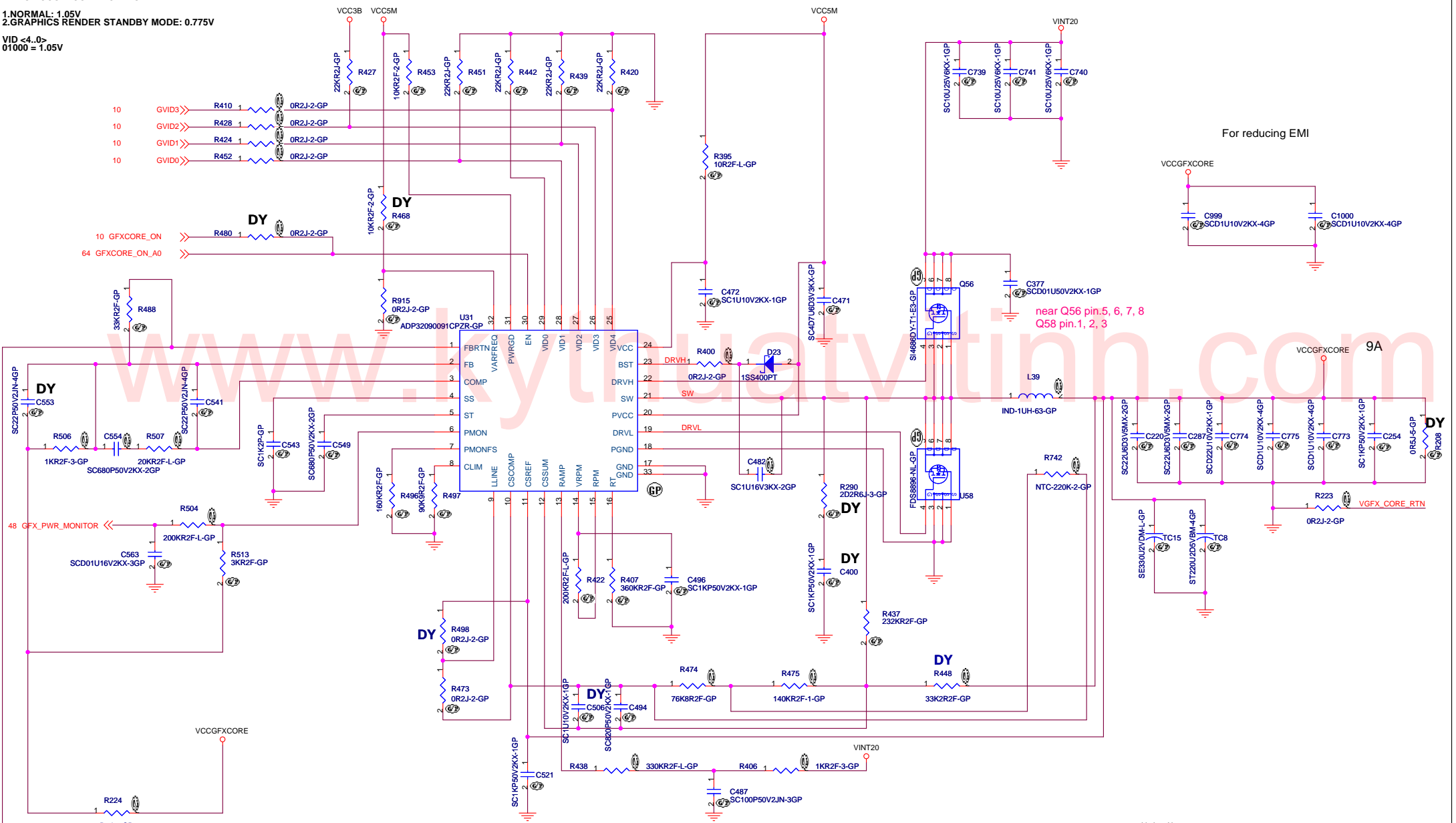
	Reference	NV	LV	ULV	Remark	
34	TC1	470uF/2V M7343 ESR6	470uF/2V M7343/ESR6	DY	O/P CAP	
35	TC10		DY	DY		
36	U4	AD3419	DY	DY	CH2 Driver IC	
37	C45	0.1uF/10V K0402/X5R	DY	DY	CH2 Driver Circuit	
38	C47	3.3uF/10V K0805/X5R	DY	DY		
39	C43	0.47U/25V K0805/X7R	DY	DY		
40	C25	0.01U/50V K0402/X7R	DY	DY		
41	R20	0J 1/10W 0603	DY	DY		
42	R920	10 J 1/16W 0402	DY	DY		
43	D1	RB501V-40 1A40V UMD2	DY	DY		
44	R27	2.2 J 1/10W 0603	DY	DY		CH2 SUNBBER
45	C46	470pF/50V K0402/X7R	DY	DY		
46	R630	0 J 1/16W 0402	DY	DY		disable ch2
47	R616	143K F 1/16W0402	DY	DY	CH2 FB	
48	L25	0.36UH	DY	DY	CH2 CHOKE	
49	L24	0.36UH	0.36UH	0.56UH	CH1 CHOKE	
50	R634	DY	0 J 1/16W 0402	0 J 1/16W 0402		
51	R622	240K	267K	487K	RT	
52	R624	165K	160K	165K	loadline for FB	
53	R7	182K	301K	316K	I LIMIT(OCP)	
54	R621	280k	280k	200K	RAMPADJ	
55	R615	143K	220K	80.6K	CH1 FB	
56	R623	91K	91K	150K	VRPM	
57	C9	DY	DY	330PF	transion FB	
58	C650	1500pF	1000pF	1500pF	transion FB	

<Variant Name>

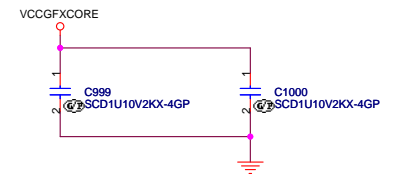
<b>緯創資通</b>		<b>Wistron Corporation</b>	
21F, 88, Sec.1, Hsin Tai Wu Rd., Hsichih, Taipei Hsien 221, Taiwan, R.O.C.			
<b>Title</b>			
<b>VCCCPUCORE TABLE</b>			
Size	Document Number		Rev
Custom	<b>KS note-3</b>		<b>-1</b>
Date: Tuesday, March 20, 2007		Sheet 67	of 78

**INTEG VCCGFXCORE VOLTAGE**

- 1.NORMAL: 1.05V
  - 2.GRAPHICS RENDER STANDBY MODE: 0.775V
- VID <4..0>  
01000 = 1.05V



For reducing EMI

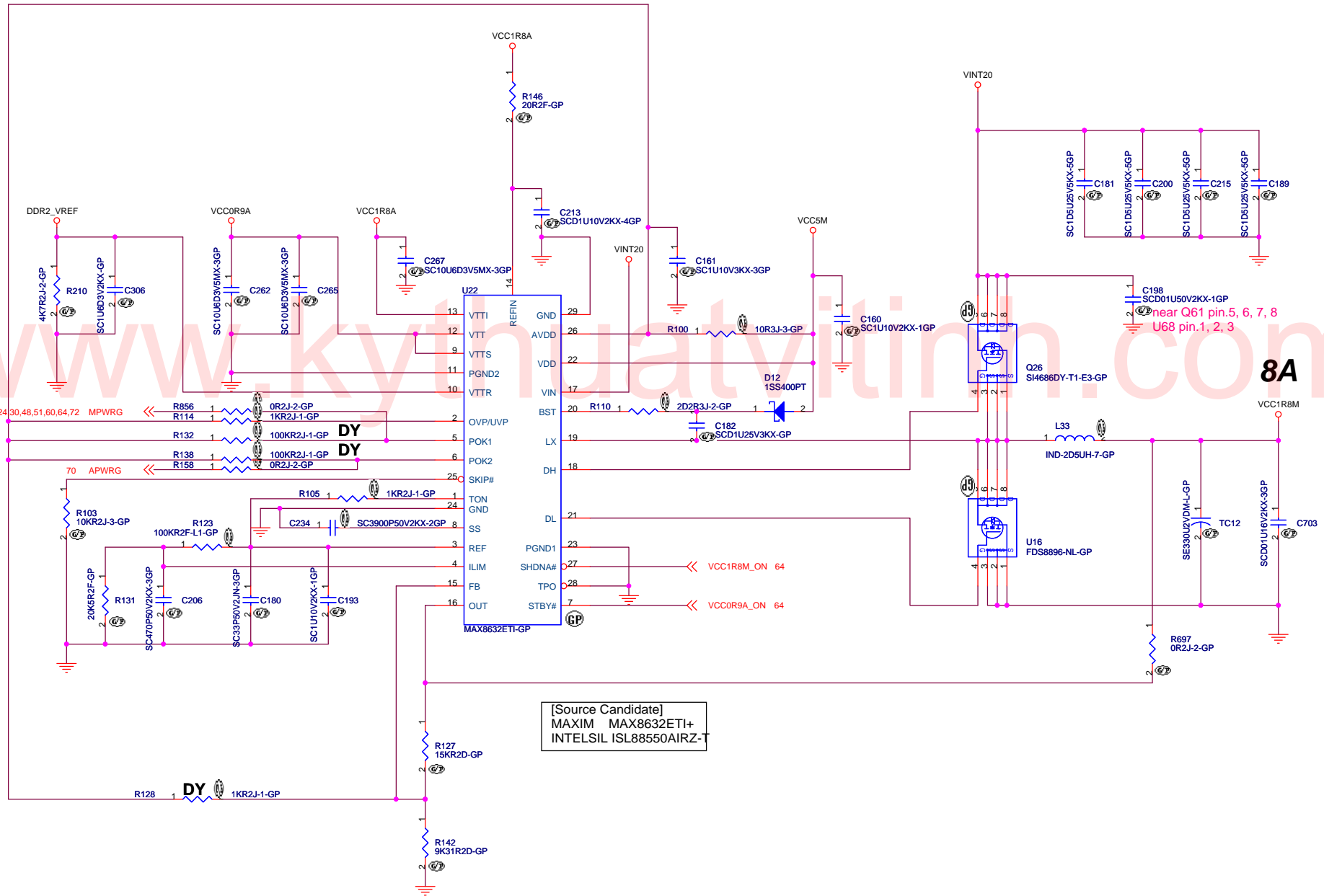


near Q56 pin.5, 6, 7, 8  
Q58 pin.1, 2, 3

9A

<Variant Name>

<b>緯創資通</b>		<b>Wistron Corporation</b>	
		21F, 8B, Sec.1, Hsin Tai Wu Rd., Hsichih, Taipei Hsien 221, Taiwan, R.O.C.	
<b>DC-DC GFX CORE</b>			
Size	Document Number		Rev
Custom	<b>KS note-3</b>		-1
Date:	Tuesday, March 20, 2007	Sheet	68 of 78



[Source Candidate]  
 MAXIM MAX8632ETI+  
 INTELSIL ISL88550AIRZ-T

C198  
 SCD01U50V2KX-1GP  
 near Q61 pin.5, 6, 7, 8  
 U68 pin.1, 2, 3

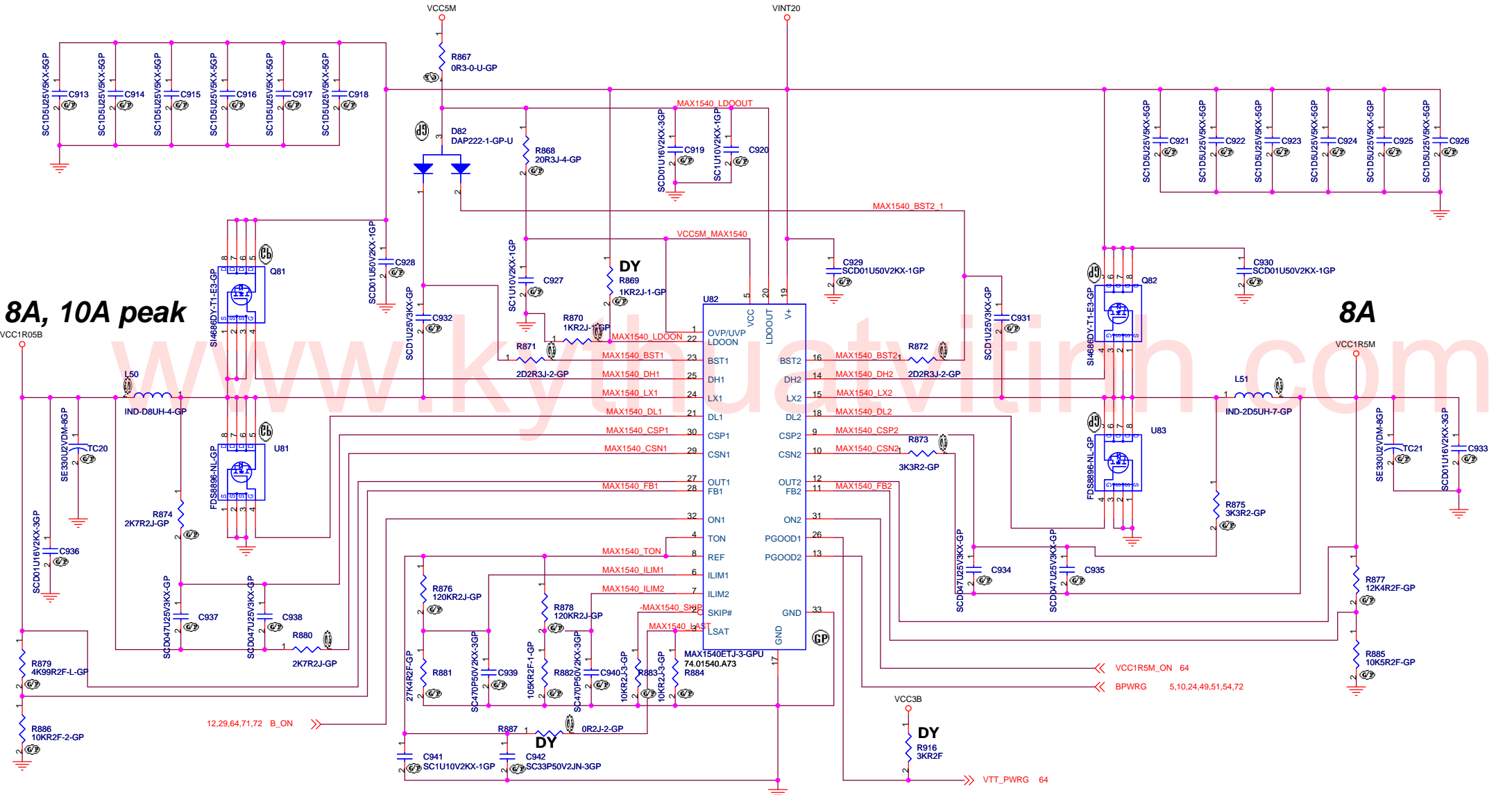
8A

<Variant Name>

<b>緯創資通 Wistron Corporation</b> 21F, 88, Sec.1, Hsin Tai Wu Rd., Hsichih, Taipei Hsien 221, Taiwan, R.O.C.	
Title	<b>DC-DC VCC1R8M</b>
Size	Document Number
A3	<b>KS note-3</b>
Date: Tuesday, March 20, 2007	Sheet 69 of 78
	Rev -1

8A, 10A peak

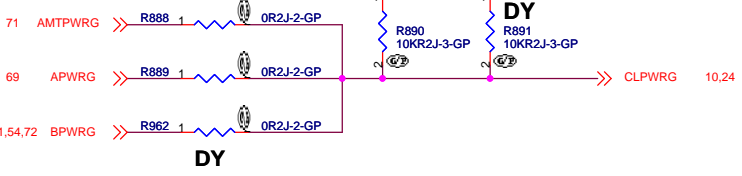
8A



12.29.64.71.72 B\_ON

VCC1R5M\_ON 64  
BPWRG 5.10.24.49.51.54.72

VTT\_PWRG 64

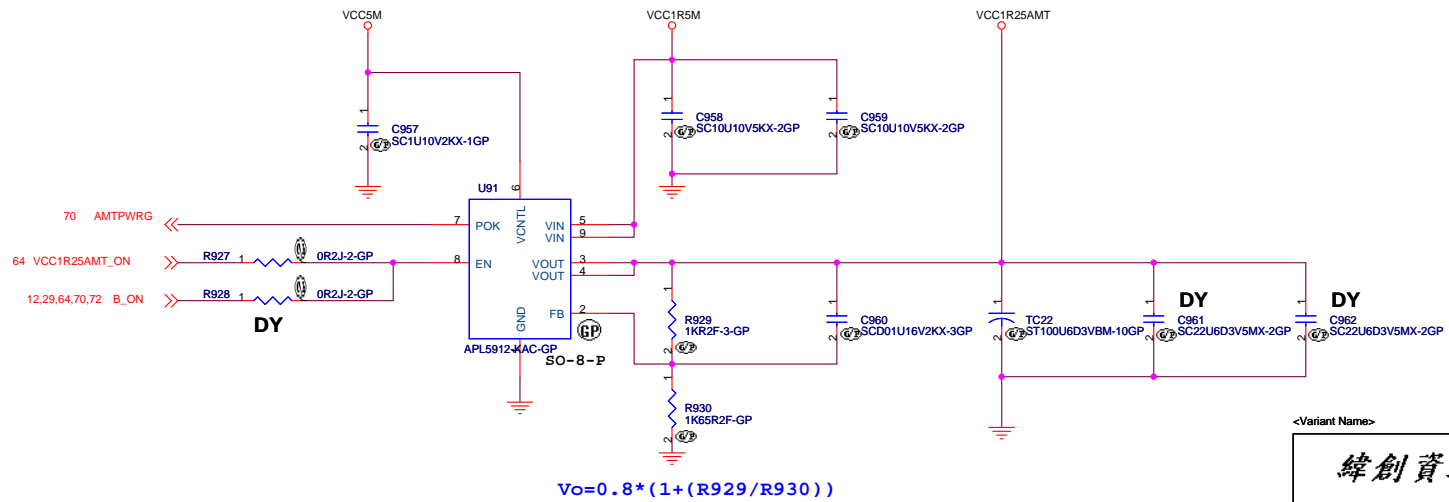
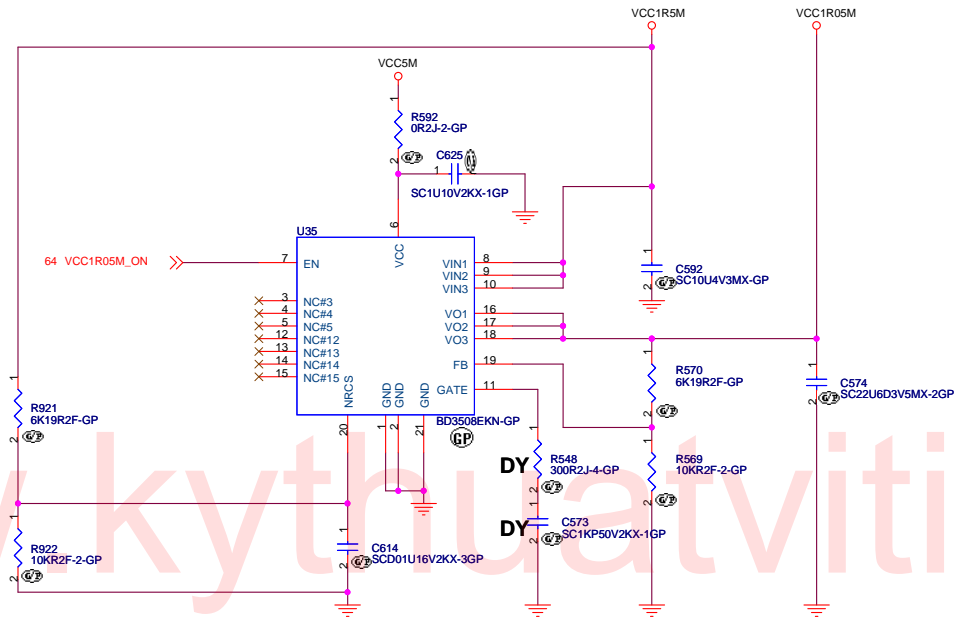


	AMT	NON_AMT
R888	ASM	NON_ASM
R889	ASM	NON_ASM
R962	NON_ASM	ASM
R890	ASM	NON_ASM

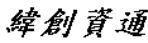
<Variant Name>

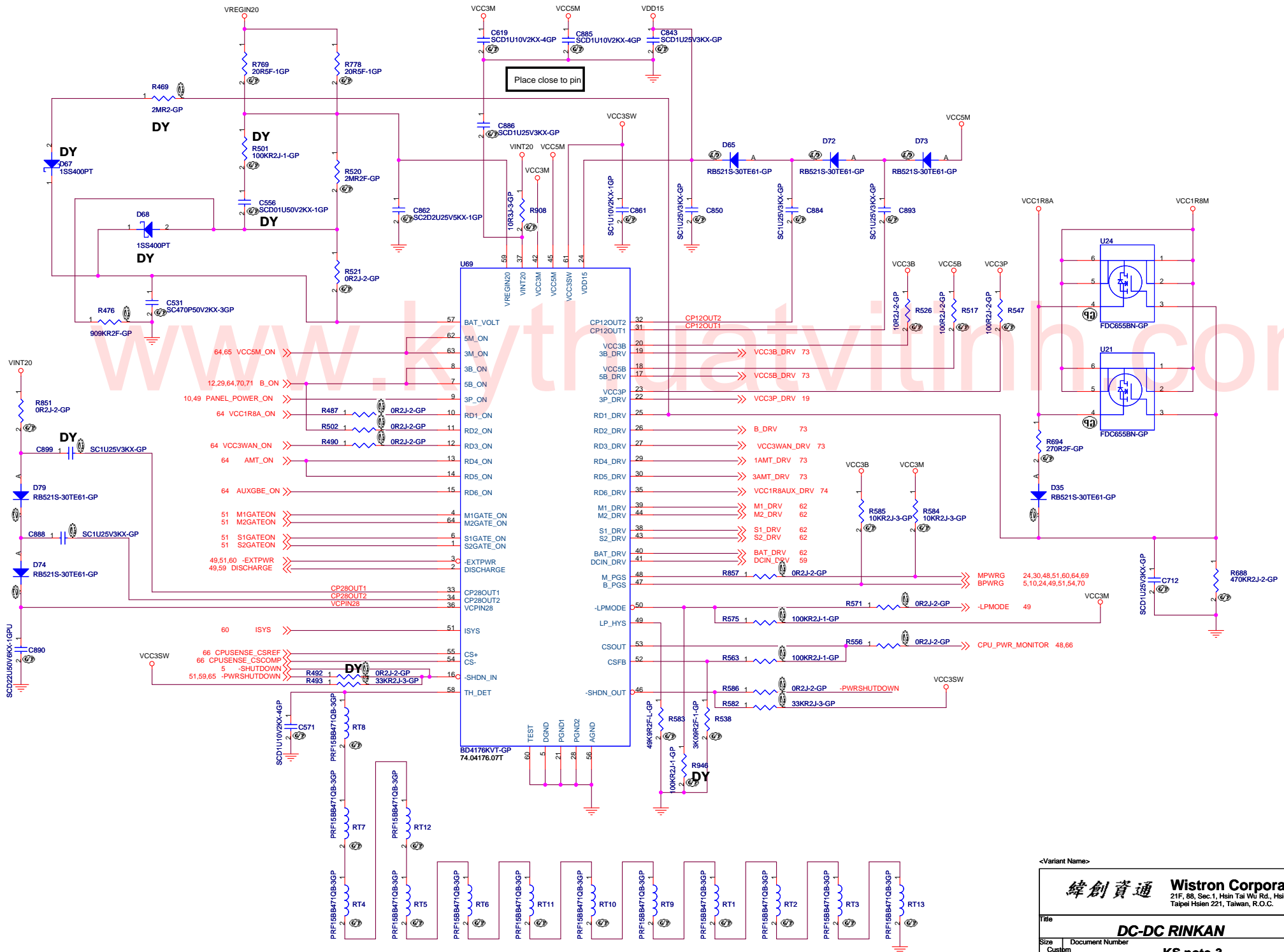
**緯創資通 Wistron Corporation**  
21F, 88, Sec.1, Hsin Tai Wu Rd., Hsichih, Taipei Hsien 221, Taiwan, R.O.C.

Title: **DC-DC VCC1R5M/VCC1R05B**  
Size A3 Document Number: **KS Note-1** Rev -1  
Date: Tuesday, March 20, 2007 Sheet 70 of 78



<Variant Name>

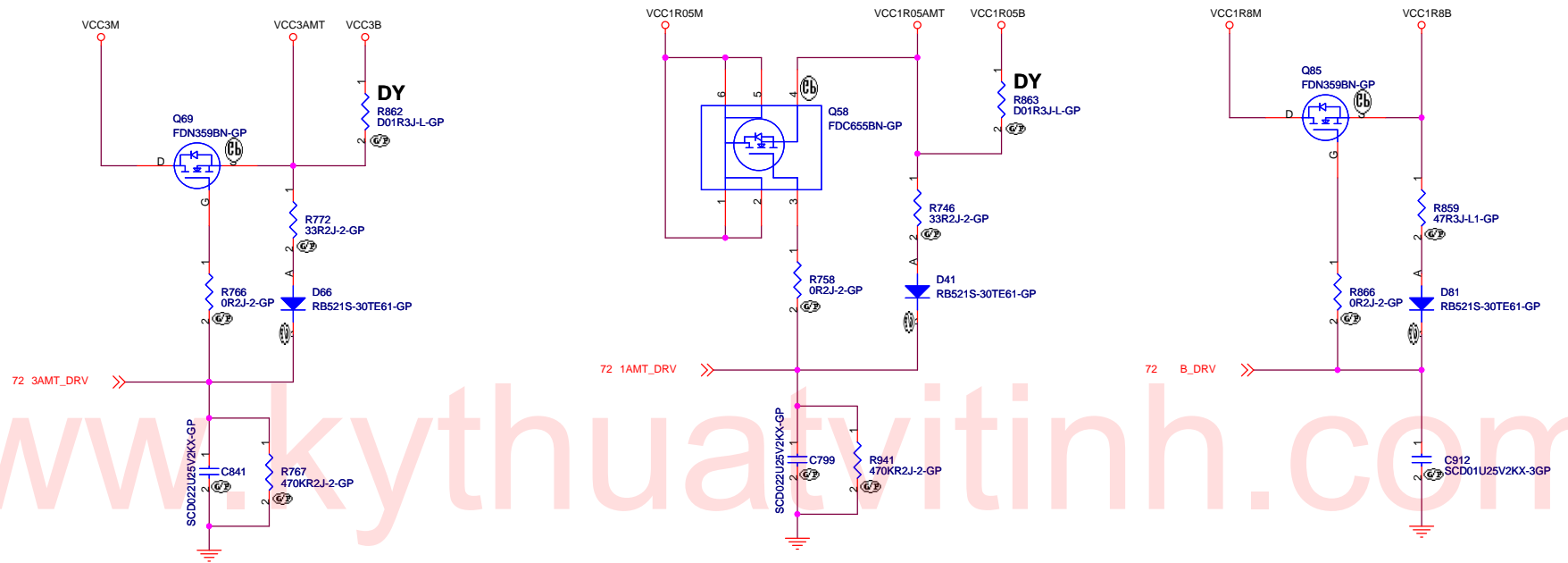
 <b>Wistron Corporation</b> 21F, 88, Sec.1, Hsin Tai Wu Rd., Hsichih, Taipei Hsien 221, Taiwan, R.O.C.		
<b>Title</b> <b>DC-DC VCC1R05M/VCC1R25AMT</b>		
Size	Document Number	Rev
Custom	<b>KS note-3</b>	-1
Date:	Tuesday, March 20, 2007	Sheet 71 of 78



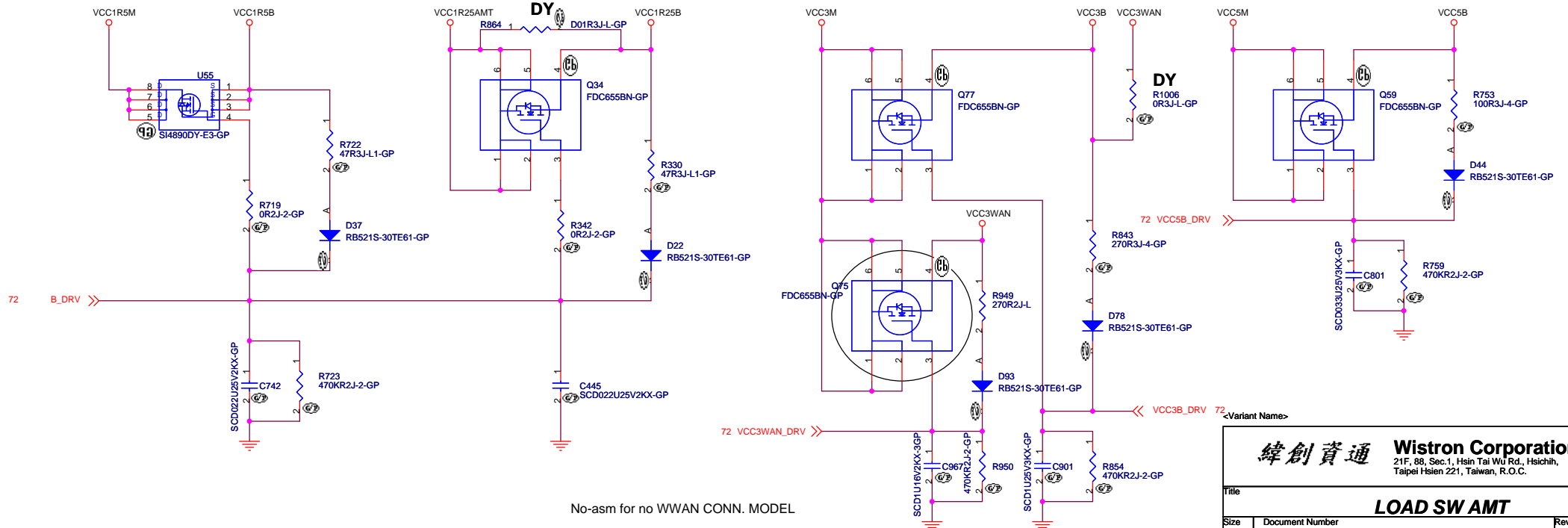
<Variant Name>

<b>Wistron Corporation</b> 21F, 88, Sec.1, Hsin Tai Wu Rd., Hsichih, Taipei Hsien 221, Taiwan, R.O.C.	
Title <b>DC-DC RINKAN</b>	
Size Custom	Document Number <b>KS note-3</b>
Date: Tuesday, March 20, 2007	Sheet 72 of 78
	Rev <b>-1</b>



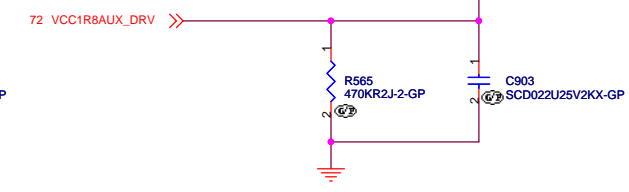
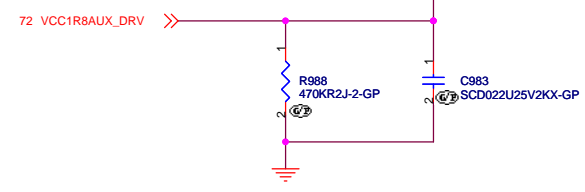
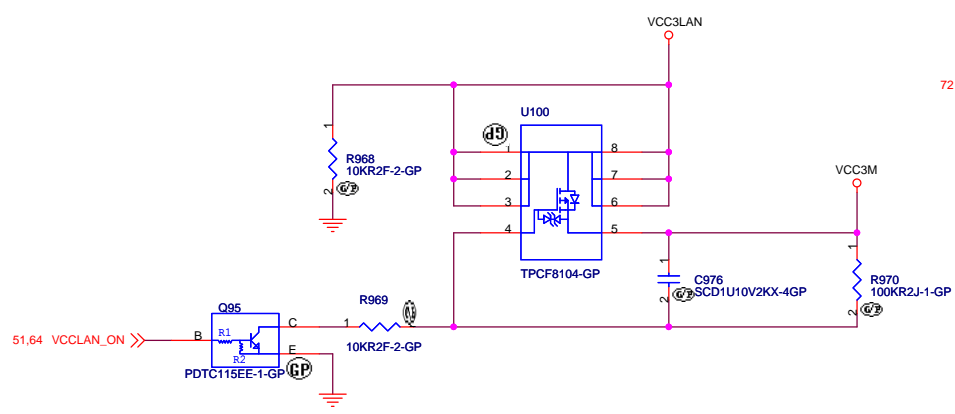
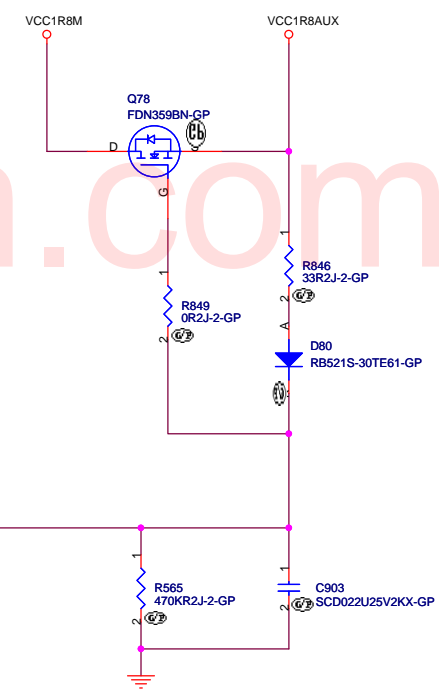
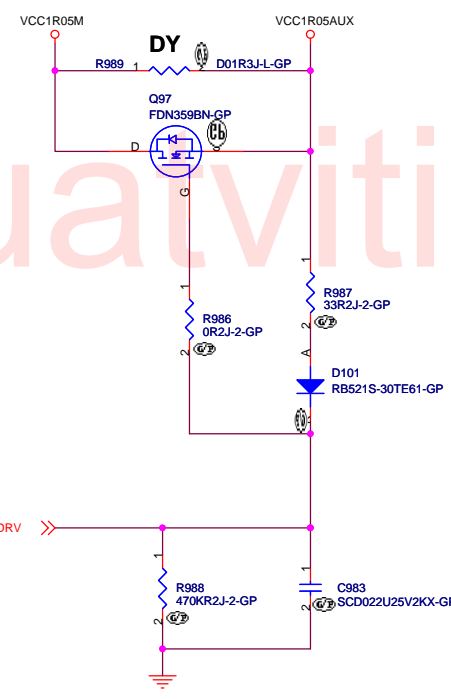
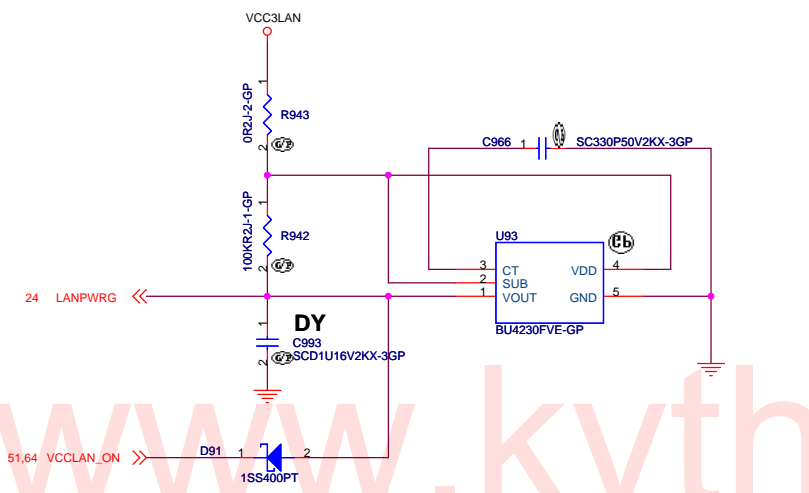


www.kythuaitinh.com



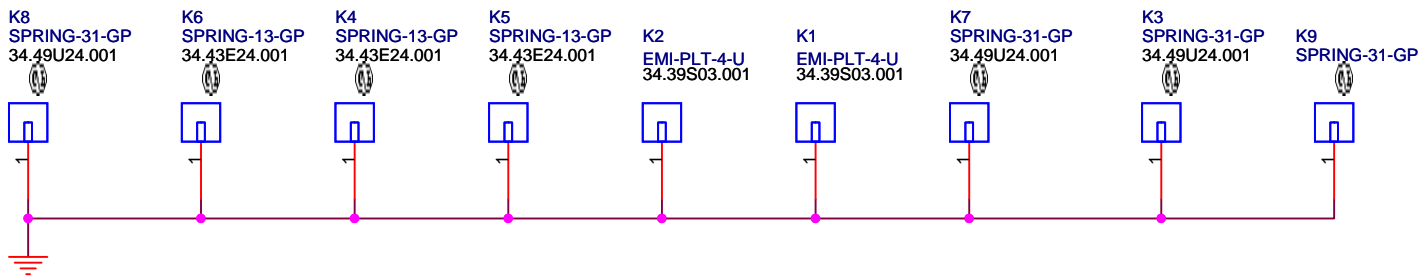
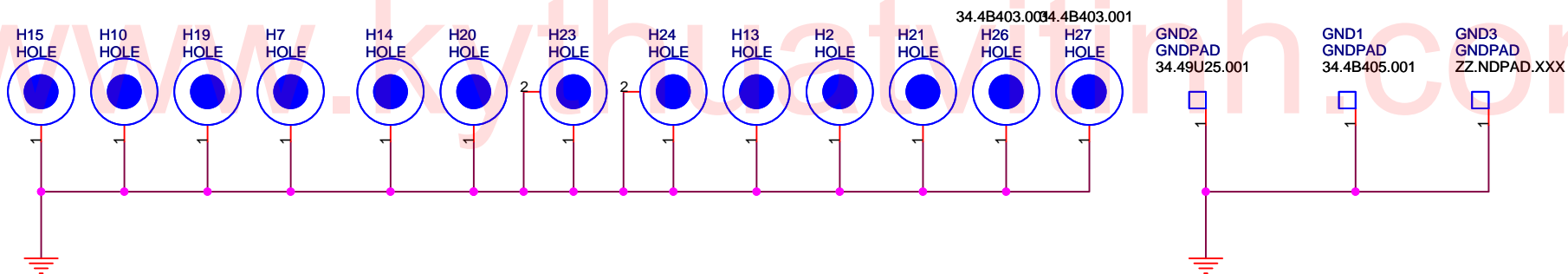
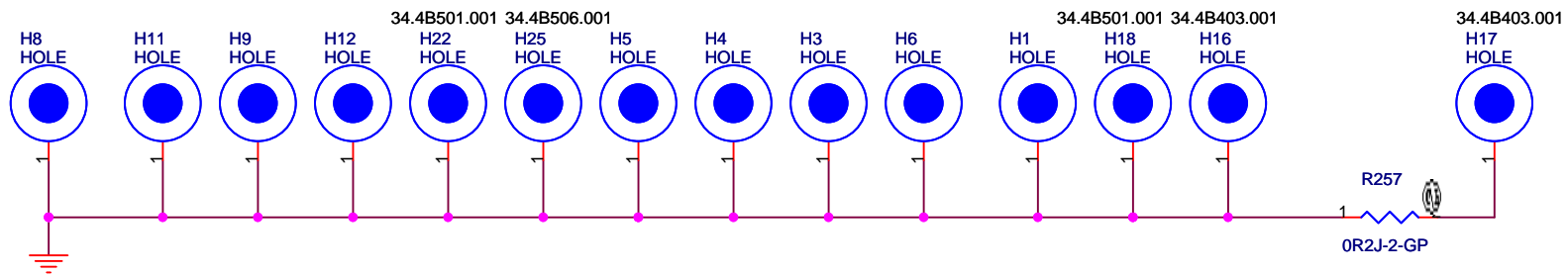
No-asm for no WWAN CONN. MODEL

<b>緯創資通</b>		<b>Wistron Corporation</b>	
		21F, 88, Sec.1, Hsin Tai WJ Rd., Hsichih, Taipei Hsien 221, Taiwan, R.O.C.	
<b>LOAD SW AMT</b>			
Title			
Size A3	Document Number	<b>KS note-3</b>	
Date: Tuesday, March 20, 2007	Sheet	73	of 78



<Variant Name>

<b>緯創資通</b>		<b>Wistron Corporation</b>	
		21F, 88, Sec.1, Hsin Tai WJ Rd., Hsichih, Taipei Hsien 221, Taiwan, R.O.C.	
<b>LOAD SW 2</b>			
Size	Document Number	Rev	
A3		<b>KS note-3</b>	-1
Date:	Tuesday, March 20, 2007	Sheet	74 of 78



<Variant Name>

<b>Wistron Corporation</b> 21F, 88, Sec.1, Hsin Tai Wu Rd., Hsichih, Taipei Hsien 221, Taiwan, R.O.C.	
<b>HOLES/GND/PADS</b>	
Size A4	Document Number <b>KS note-3</b>
Date: Tuesday, March 20, 2007	Sheet 75 of 78
	Rev -1

# Comparison chart , KS-3 and Dali-2

Item	Page	Location Netname	KS-3	Dali-2	Modify	Note
1	5	U104	Dummy	ASM		DALI2 uP/Thermal Sensor IIC BUS
		U105	Dummy	ASM		
		U106	Dummy	ASM		
2	19	R36	100Ω	0Ω		KS3: WLAN LED/Dali2 VCC3B
		R85	Dummy	0Ω		
		R107	Dummy	0Ω		
		R98	Dummy	0Ω		Bluettoth IO
		R96	Dummy	0Ω		
		R668	200Ω	Dummy		Think Light
		C691	ASM	Dummy		
		Q44	ASM	Dummy		LED ACDC LED NUMLOCK LED CAPSLOCK LID SWITCH
		Q13, Q14, Q15	PDTC114EE	Dummy		
		R37	200Ω	Dummy		
		R42	330Ω	Dummy		
		R43	330Ω	Dummy		
		R26	ASM	Dummy		
R35	0Ω	0.5A Fuse				
3	27	CN6	Dummy	ASM		DALI2 INTMIC LOGIC
		C578	Dummy	0.1uF		
		R567	Dummy	ASM		
		CN7	ASM	Dummy		MIC
		R819	1.2KΩ	Dummy		KS3 INTMIC LOGIC
		R804	2.2KΩ	Dummy		
		R813	ASM	Dummy		
		C872	10uF	Dummy		
		C877	1uF	Dummy		
4	49	R403	Dummy	330Ω		DALI2 PenDetect Sensor
		C478	Dummy	0.1uF		
		CN3	Dummy	ASM		
		RN38	Dummy	ASM		KS3 ThermalSensor IIC BUS
		R251	Dummy	ASM		
		R227	Dummy	ASM		DALI2 uP/Thermal Sensor IIC BUS
		R995	ASM	Dummy		
R996	ASM	Dummy				
6	56	CN17	ASM	Dummy		2nd FAN connector
		C908	ASM	Dummy		2nd FAN logic
		F17	ASM	Dummy		
		Q79	ASM	Dummy		
		Q80	ASM	Dummy		
		R833	ASM	Dummy		
		R834	ASM	Dummy		
		R858	ASM	ASM		
U79	ASM	Dummy				
5	75	GND1	ASM	Dummy		ME ANTENNA ROUTING CLIP
		GND2	ASM	Dummy		

<Variant Name>

<b>緯創資通</b>		<b>Wistron Corporation</b>	
		21F, 88, Sec.1, Hsin Tai Wu Rd., Hsichih, Taipei Hsien 221, Taiwan, R.O.C.	
<b>Differents Between KS3 and Dali2</b>			
Title	Document Number		Rev
Size A3	<b>KS note-3</b>		-1
Date: Tuesday, March 20, 2007	Sheet	76 of	78

# Comparison chart for AMT function

Item	Page	Location Netname	AMT	NON_AMT	Modify	Note
1	22	U60	ICH8m Enhanced	ICH8m		
	24	R270	NO_ASM	ASM		
	37	U74	Nineveh 82566MM	Nineveh 82566MC		
	44	SPI1	32Mbit	16Mbit		
	64	R711	ASM	NO_ASM		
		C728	ASM	NO_ASM		
	70	R888	ASM	NO_ASM		
		R889	ASM	NO_ASM		
		R962	NO_ASM	ASM		
		R890	ASM	NO_ASM		
	71	R891	NO_ASM	NO_ASM		
		R927	ASM	NO_ASM		
	73	R928	NO_ASM	ASM		
		R862	NO_ASM	ASM		
		Q69	ASM	NO_ASM		
		R766	ASM	NO_ASM		
		R772	ASM	NO_ASM		
		D66	ASM	NO_ASM		
		C841	ASM	NO_ASM		
		R767	ASM	NO_ASM		
		R941	ASM	NO_ASM		
		Q58	ASM	NO_ASM		
		R758	ASM	NO_ASM		
		R746	ASM	NO_ASM		
		D41	ASM	NO_ASM		
		C799	ASM	NO_ASM		
		R863	NO_ASM	ASM		
		Q34	ASM	NO_ASM		
		R342	ASM	NO_ASM		
		R330	ASM	NO_ASM		
		D22	ASM	NO_ASM		
		R864	NO_ASM	ASM		

<Variant Name>

<b>緯創資通</b>		<b>Wistron Corporation</b>	
		21F, 88, Sec.1, Hsin Tai Wu Rd., Hsichih, Taipei Hsien 221, Taiwan, R.O.C.	
<b>AMT FUNCTION CONTROL TABLE</b>			
Title	Document Number		Rev
Size A3	<b>KS note-3</b>		-1
Date: Tuesday, March 20, 2007	Sheet	77	of 78

