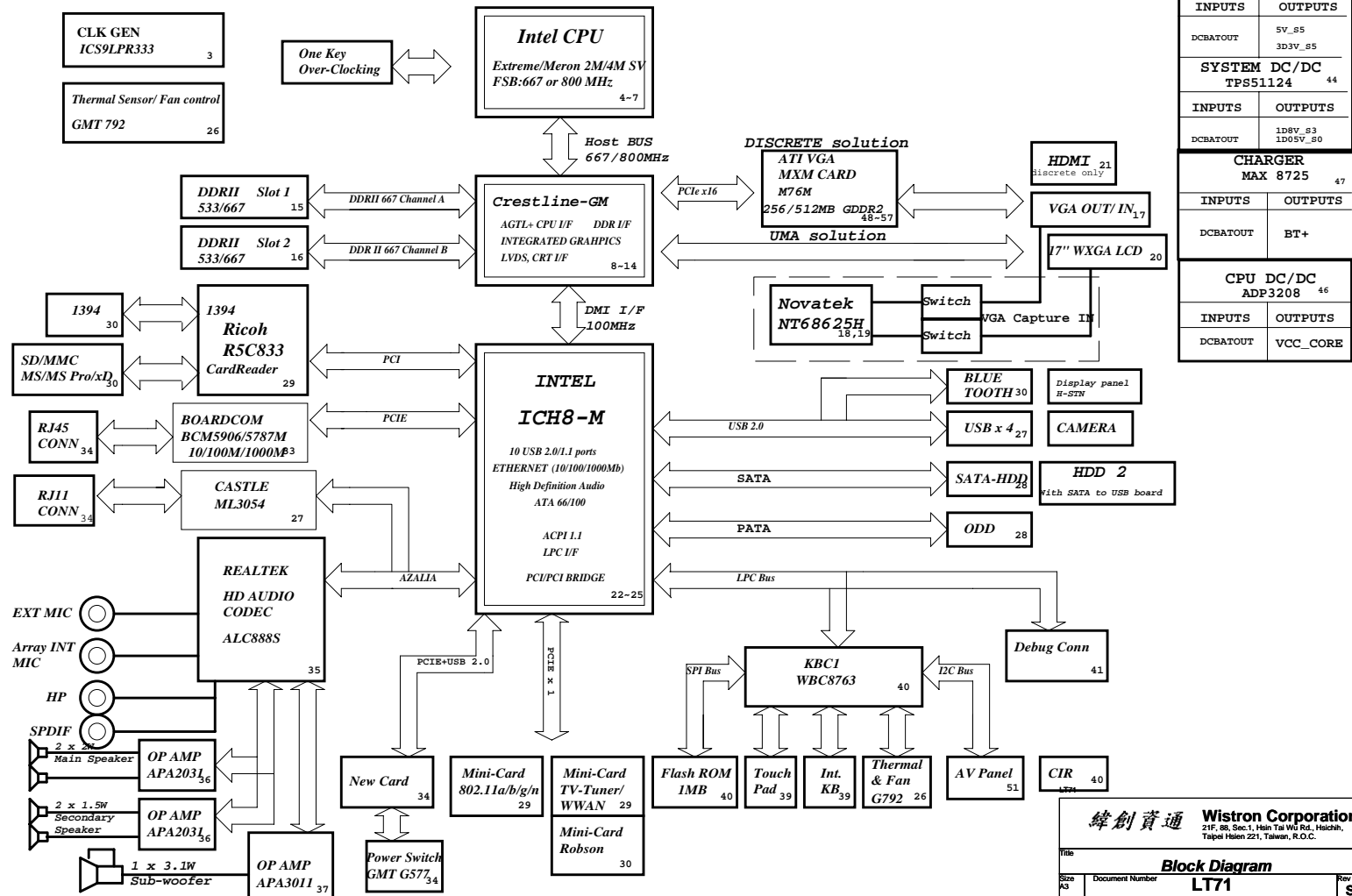


LT-71 Block Diagram



SYSTEM DC/DC TPS51120 43	
INPUTS	OUTPUTS
DCBATOUT	5V_55 3D3V_85
SYSTEM DC/DC TPS51124 44	
INPUTS	OUTPUTS
DCBATOUT	1.85V_53 1D05V_80
CHARGER MAX 8725 47	
INPUTS	OUTPUTS
DCBATOUT	BT+
CPU DC/DC ADP3208 46	
INPUTS	OUTPUTS
DCBATOUT	VCC_CORE

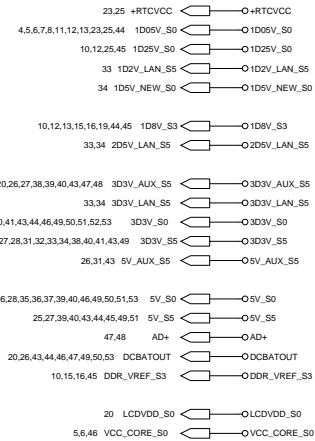
A

B

C

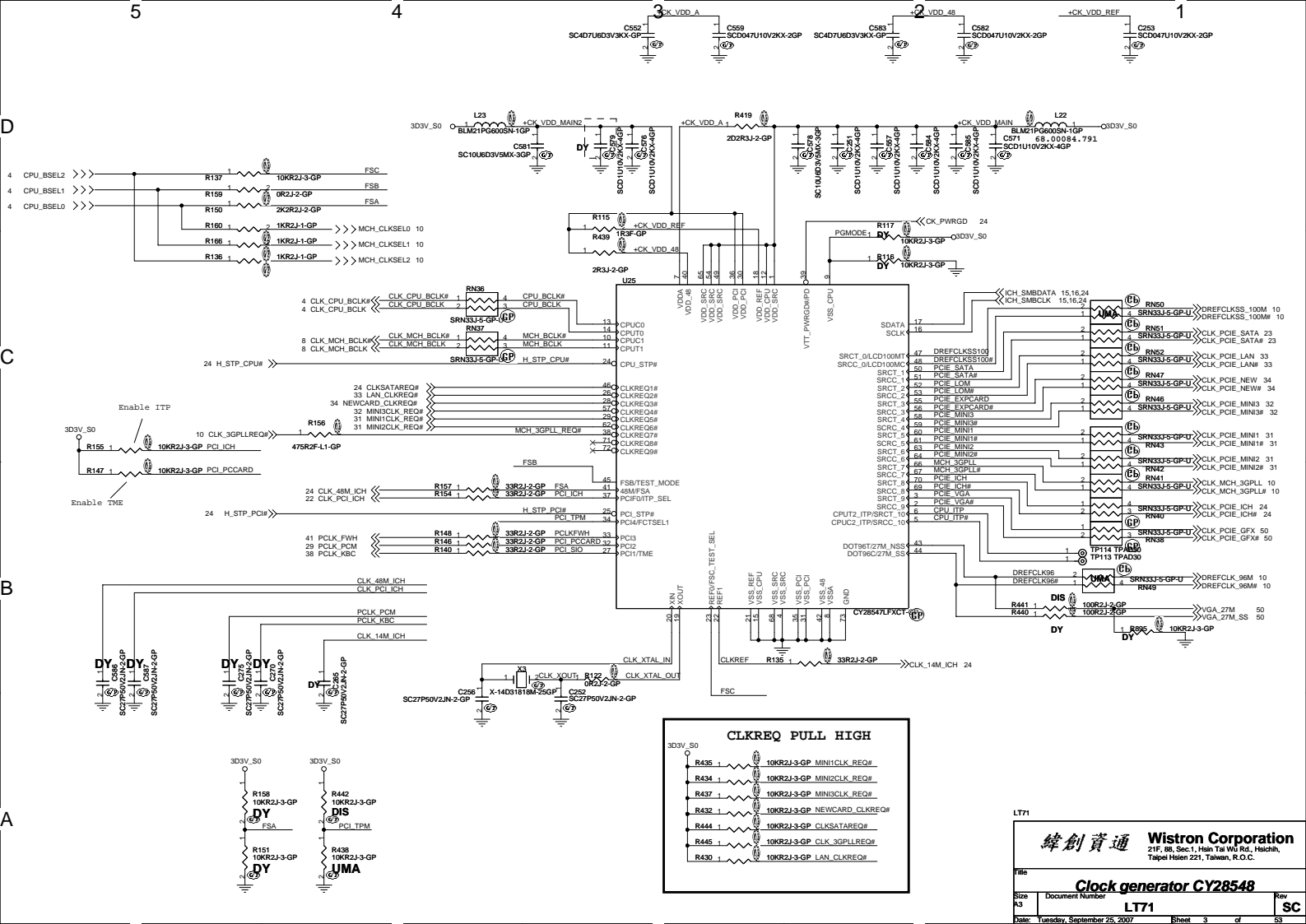
D

E



LT71

 Wistron Corporation 21F, 88, Sec-1, Hsin Tai Wu Rd., Hsinchu, Taipei Hsin 221, Taiwan, R.O.C.		
Table of Content		
Size A3	Document Number LT71	Rev SC
Date Tuesday, September 25, 2007	Sheet 2	of 53

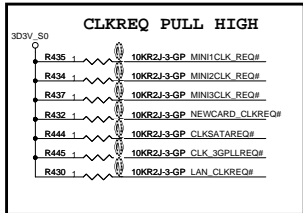


D

C

B

A



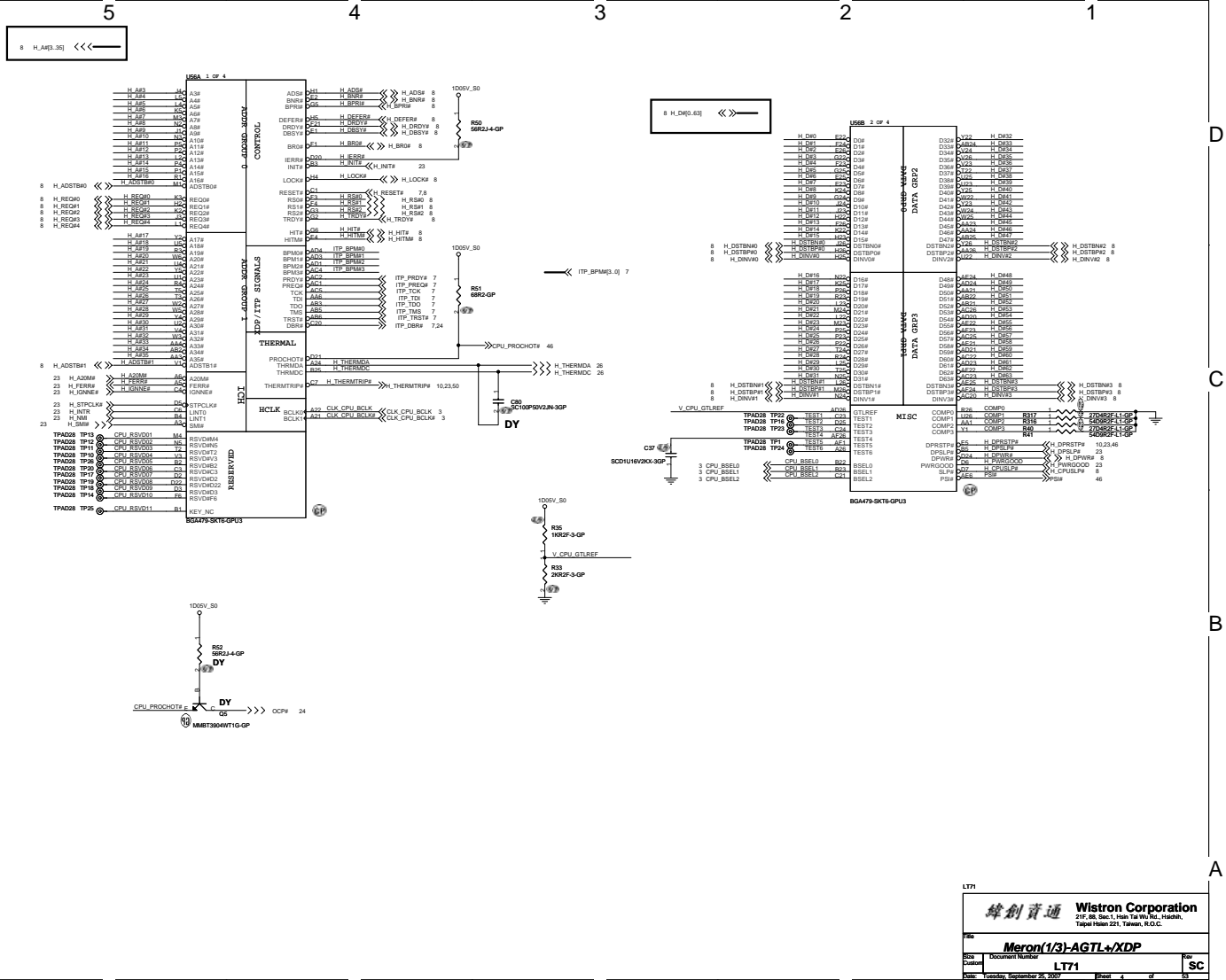
LT71

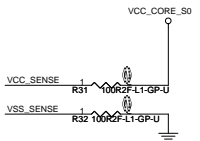
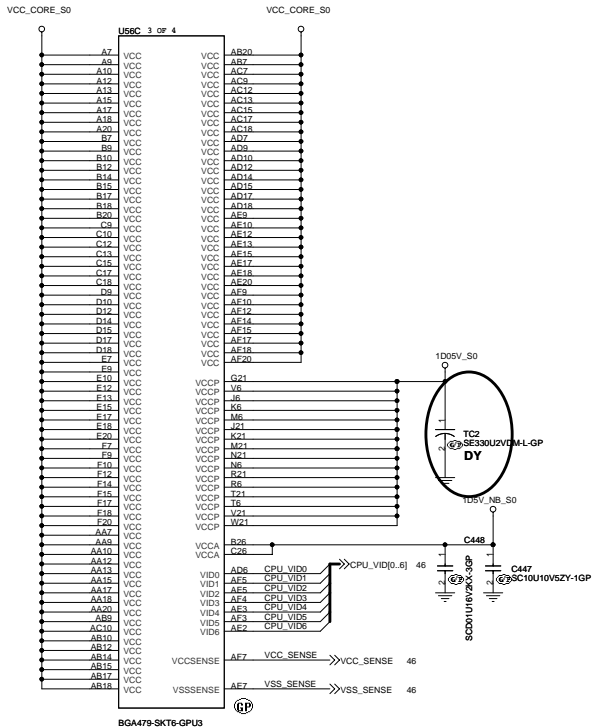
緯創資通 **Wistron Corporation**
 21F, 88, Sec. 1, Hsin Tai Wu Rd., Hsinchu, Taipei Hsin 221, Taiwan, R.O.C.

Title: **Clock generator CY28548**

Size A3 Document Number **LT71** Rev. 1

Date: Tuesday, September 25, 2007 Sheet 3 of 53





LT71

緯創資通 Wistron Corporation
 21F, 88, Sec-1, Hsain Tai Wu Rd., Hsichih,
 Taipei Hsien 221, Taiwan, R.O.C.

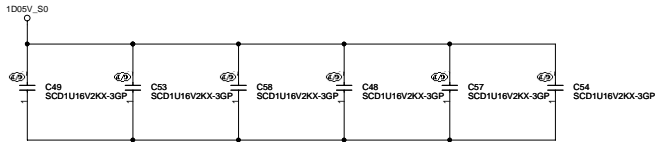
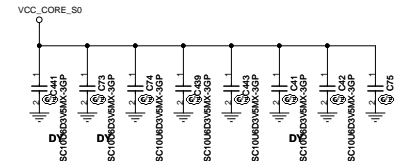
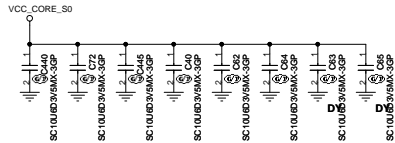
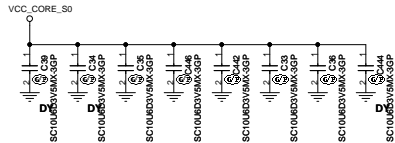
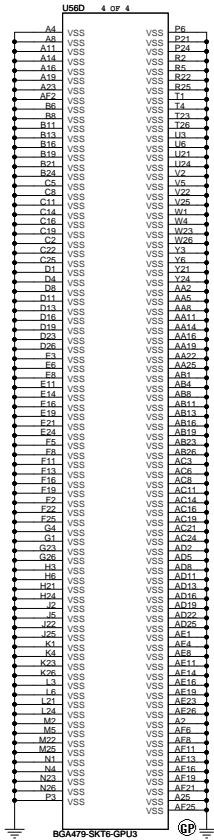
Title		Meron(2/3)-AGTL+/PWR	
Size	Document Number	LT71	
A3	Rev	SC	
Date	Tuesday, September 25, 2007	Sheet	5 of 53

D

C

B

A



LT71

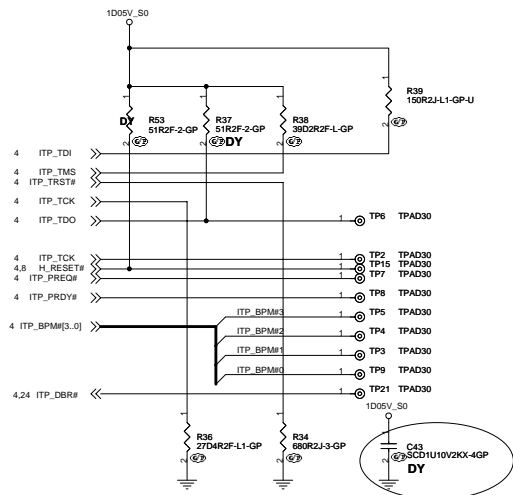
緯創資通 **Wistron Corporation**
 21F, 88, Sec.1, Hsin Tai Wu Rd., Hsinchu, Taipei Hsin 221, Taiwan, R.O.C.

Title: **Meron(3/3)-GND&Bypass**

Size A3 Document Number: **LT71** Rev

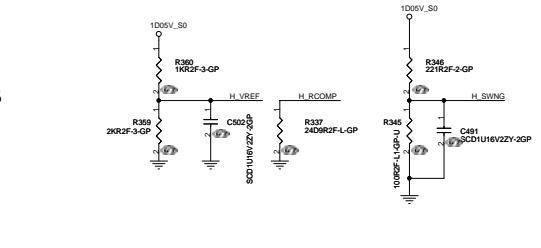
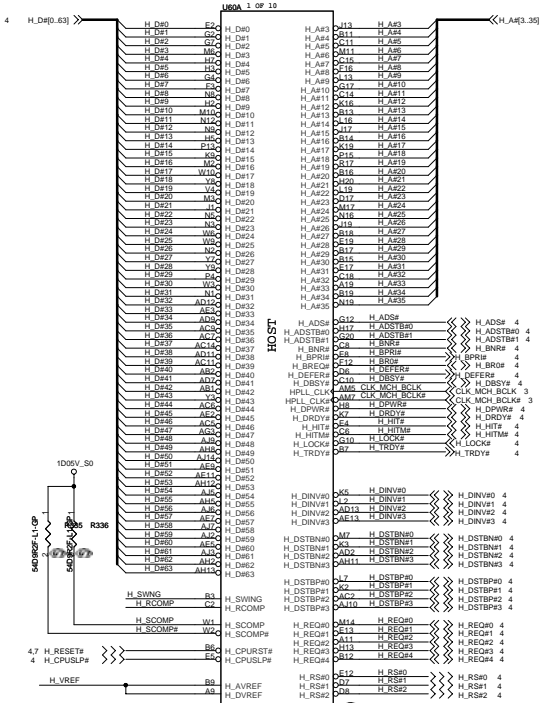
Date: Tuesday, September 25, 2007 Sheet 6 of 53

ITP Connector



LT71

		Wistron Corporation 21F, 88, Sec.1, Hsin Tai Wu Rd., Hsinchu, Taipei Hsien 221, Taiwan, R.O.C.
Title		
Meron(3/3)-GND&Bypass		
Size	Document Number	Rev
K3	LT71	SC
Date:	Tuesday, September 25, 2007	Sheet 7 of 53



<<< DDR_A_D0[0..63] 15
 <<< DDR_A_BS[0..2] 15
 <<< DDR_A_DM[0..7] 15
 <<< DDR_A_DQS[0..7] 15
 <<< DDR_A_DQS# [0..7] 15
 <<< DDR_A_MA[0..14] 15

<<< DDR_B_D0[0..63] 16
 <<< DDR_B_BS[0..2] 16
 <<< DDR_B_DM[0..7] 16
 <<< DDR_B_DQS[0..7] 16
 <<< DDR_B_DQS# [0..7] 16
 <<< DDR_B_MA[0..14] 16

U600 4 OF 10

DDR_A_D0	AR43	SA_DQ00
DDR_A_D1	AW44	SA_DQ01
DDR_A_D2	BA45	SA_DQ02
DDR_A_D3	AV46	SA_DQ03
DDR_A_D4	AR41	SA_DQ04
DDR_A_D5	AR45	SA_DQ05
DDR_A_D6	AT42	SA_DQ06
DDR_A_D7	AW47	SA_DQ07
DDR_A_D8	BA48	SA_DQ08
DDR_A_D9	BF48	SA_DQ09
DDR_A_D10	BF47	SA_DQ10
DDR_A_D11	BA45	SA_DQ11
DDR_A_D12	BF47	SA_DQ12
DDR_A_D13	BS50	SA_DQ13
DDR_A_D14	BF49	SA_DQ14
DDR_A_D15	BF46	SA_DQ15
DDR_A_D16	AW43	SA_DQ16
DDR_A_D17	BE44	SA_DQ17
DDR_A_D18	BE44	SA_DQ18
DDR_A_D19	BE40	SA_DQ19
DDR_A_D20	BF44	SA_DQ20
DDR_A_D21	BF45	SA_DQ21
DDR_A_D22	BF40	SA_DQ22
DDR_A_D23	BF40	SA_DQ23
DDR_A_D24	AB40	SA_DQ24
DDR_A_D25	AV40	SA_DQ25
DDR_A_D26	AT39	SA_DQ26
DDR_A_D27	AV39	SA_DQ27
DDR_A_D28	AV41	SA_DQ28
DDR_A_D29	AV41	SA_DQ29
DDR_A_D30	AV38	SA_DQ30
DDR_A_D31	AT38	SA_DQ31
DDR_A_D32	AV13	SA_DQ32
DDR_A_D33	AT13	SA_DQ33
DDR_A_D34	AW11	SA_DQ34
DDR_A_D35	AV11	SA_DQ35
DDR_A_D36	AV15	SA_DQ36
DDR_A_D37	AT11	SA_DQ37
DDR_A_D38	BA11	SA_DQ38
DDR_A_D39	BA11	SA_DQ39
DDR_A_D40	BD10	SA_DQ40
DDR_A_D41	BD10	SA_DQ41
DDR_A_D42	BA9	SA_DQ42
DDR_A_D43	BA9	SA_DQ43
DDR_A_D44	BA10	SA_DQ44
DDR_A_D45	AW9	SA_DQ45
DDR_A_D46	BD7	SA_DQ46
DDR_A_D47	BB8	SA_DQ47
DDR_A_D48	BB8	SA_DQ48
DDR_A_D49	AV7	SA_DQ49
DDR_A_D50	AT7	SA_DQ50
DDR_A_D51	AT7	SA_DQ51
DDR_A_D52	AV6	SA_DQ52
DDR_A_D53	BB7	SA_DQ53
DDR_A_D54	AR5	SA_DQ54
DDR_A_D55	AR5	SA_DQ55
DDR_A_D56	AR5	SA_DQ56
DDR_A_D57	AR5	SA_DQ57
DDR_A_D58	AN3	SA_DQ58
DDR_A_D59	AN3	SA_DQ59
DDR_A_D60	AN3	SA_DQ60
DDR_A_D61	AN3	SA_DQ61
DDR_A_D62	MA3	SA_DQ62
DDR_A_D63	AN11	SA_DQ63

BR19	DDR_A_BS0
BR20	DDR_A_BS1
BF29	DDR_A_BS2
BL17	DDR_A_CAS#
AT45	DDR_A_DM0
RD44	DDR_A_DM1
RD42	DDR_A_DM2
AW38	DDR_A_DM3
AV33	DDR_A_DM4
BS28	DDR_A_DM5
AV2	DDR_A_DM6
AN6	DDR_A_DM7
AT46	DDR_A_DQS0
BE46	DDR_A_DQS1
BR43	DDR_A_DQS2
BS37	DDR_A_DQS3
BR16	DDR_A_DQS4
BS46	DDR_A_DQS5
BR2	DDR_A_DQS6
AP3	DDR_A_DQS7
AV47	DDR_A_DQS#0
CD47	DDR_A_DQS#1
CD41	DDR_A_DQS#2
GA37	DDR_A_DQS#3
BA16	DDR_A_DQS#4
BR7	DDR_A_DQS#5
CA21	DDR_A_DQS#6
AP2	DDR_A_DQS#7
BR19	DDR_A_MA0
BR20	DDR_A_MA1
BR27	DDR_A_MA2
BR28	DDR_A_MA3
BL24	DDR_A_MA4
BR25	DDR_A_MA5
BR27	DDR_A_MA6
BR25	DDR_A_MA7
BR28	DDR_A_MA8
BR28	DDR_A_MA9
BR19	DDR_A_MA10
BE28	DDR_A_MA11
BR30	DDR_A_MA12
BL16	DDR_A_MA13
BR29	DDR_A_MA14
BR18	DDR_A_RAS#
AV22	SA_RCVEN#
BA19	DDR_A_WE#

DDR SYSTEM MEMORY A

CRESTLINE-GP-UAF

U600 5 OF 10

DDR_B_D0	AP49	SB_DQ00
DDR_B_D1	AR51	SB_DQ01
DDR_B_D2	AW50	SB_DQ02
DDR_B_D3	AW51	SB_DQ03
DDR_B_D4	AN51	SB_DQ04
DDR_B_D5	AN50	SB_DQ05
DDR_B_D6	AV50	SB_DQ06
DDR_B_D7	AV49	SB_DQ07
DDR_B_D8	BF49	SB_DQ08
DDR_B_D9	BF50	SB_DQ09
DDR_B_D10	BF49	SB_DQ10
DDR_B_D11	BE50	SB_DQ11
DDR_B_D12	BA51	SB_DQ12
DDR_B_D13	AV49	SB_DQ13
DDR_B_D14	BF50	SB_DQ14
DDR_B_D15	BF49	SB_DQ15
DDR_B_D16	BE50	SB_DQ16
DDR_B_D17	BA44	SB_DQ17
DDR_B_D18	BA43	SB_DQ18
DDR_B_D19	BA43	SB_DQ19
DDR_B_D20	BF49	SB_DQ20
DDR_B_D21	BF49	SB_DQ21
DDR_B_D22	BF43	SB_DQ22
DDR_B_D23	BF42	SB_DQ23
DDR_B_D24	BA41	SB_DQ24
DDR_B_D25	BA41	SB_DQ25
DDR_B_D26	BF47	SB_DQ26
DDR_B_D27	BF46	SB_DQ27
DDR_B_D28	BF46	SB_DQ28
DDR_B_D29	BA40	SB_DQ29
DDR_B_D30	BA35	SB_DQ30
DDR_B_D31	BF47	SB_DQ31
DDR_B_D32	BF44	SB_DQ32
DDR_B_D33	BF41	SB_DQ33
DDR_B_D34	BF41	SB_DQ34
DDR_B_D35	BF41	SB_DQ35
DDR_B_D36	BF41	SB_DQ36
DDR_B_D37	BF42	SB_DQ37
DDR_B_D38	BF42	SB_DQ38
DDR_B_D39	BF42	SB_DQ39
DDR_B_D40	BF42	SB_DQ40
DDR_B_D41	BF42	SB_DQ41
DDR_B_D42	BF42	SB_DQ42
DDR_B_D43	BF42	SB_DQ43
DDR_B_D44	BA42	SB_DQ44
DDR_B_D45	BF40	SB_DQ45
DDR_B_D46	BF42	SB_DQ46
DDR_B_D47	BF42	SB_DQ47
DDR_B_D48	BF42	SB_DQ48
DDR_B_D49	BF42	SB_DQ49
DDR_B_D50	BF42	SB_DQ50
DDR_B_D51	BF42	SB_DQ51
DDR_B_D52	BF42	SB_DQ52
DDR_B_D53	BF42	SB_DQ53
DDR_B_D54	BF42	SB_DQ54
DDR_B_D55	BF42	SB_DQ55
DDR_B_D56	BA43	SB_DQ56
DDR_B_D57	BF42	SB_DQ57
DDR_B_D58	BF42	SB_DQ58
DDR_B_D59	AT43	SB_DQ59
DDR_B_D60	AV42	SB_DQ60
DDR_B_D61	AV43	SB_DQ61
DDR_B_D62	AV42	SB_DQ62
DDR_B_D63	AT42	SB_DQ63

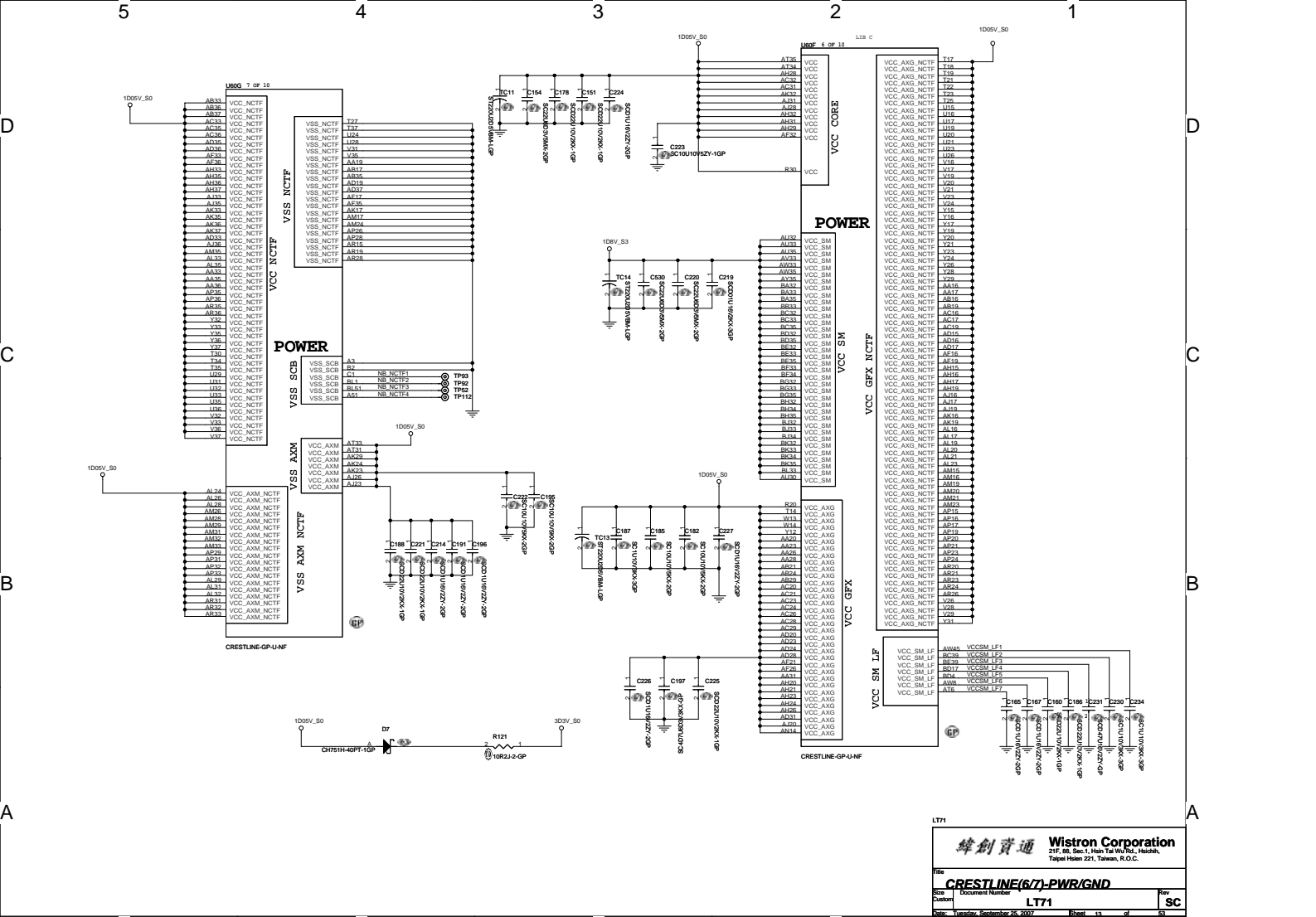
AV17	DDR_B_BS0
BR16	DDR_B_BS1
BR36	DDR_B_BS2
BL17	DDR_B_CAS#
DM0	DDR_B_DM0
DM1	DDR_B_DM1
DM2	DDR_B_DM2
DM3	DDR_B_DM3
DM4	DDR_B_DM4
DM5	DDR_B_DM5
DM6	DDR_B_DM6
DM7	DDR_B_DM7
AT50	DDR_B_DQS0
BD50	DDR_B_DQS1
BR46	DDR_B_DQS2
BR39	DDR_B_DQS3
BL12	DDR_B_DQS4
BL7	DDR_B_DQS5
BE2	DDR_B_DQS6
AV2	DDR_B_DQS7
AV50	DDR_B_DQS#0
CA20	DDR_B_DQS#1
BL45	DDR_B_DQS#2
BL38	DDR_B_DQS#3
BR12	DDR_B_DQS#4
BR7	DDR_B_DQS#5
CA2	DDR_B_DQS#6
AV3	DDR_B_DQS#7
BR16	DDR_B_MA0
BR12	DDR_B_MA1
BR25	DDR_B_MA2
BF25	DDR_B_MA3
BR26	DDR_B_MA4
BA29	DDR_B_MA5
BA29	DDR_B_MA6
BR28	DDR_B_MA7
BA28	DDR_B_MA8
BD37	DDR_B_MA9
BR17	DDR_B_MA10
BA38	DDR_B_MA11
BA38	DDR_B_MA12
BR13	DDR_B_MA13
BE24	DDR_B_MA14
AV18	DDR_B_RAS#
AV18	SA_RCVEN#
BR17	DDR_B_WE#

DDR SYSTEM MEMORY B

CRESTLINE-GP-UAF

LT71

緯創資通 **Wistron Corporation**
 21F, Sec. 1, Hsin Tai Wu Rd., Hsinchu, Taiwan, R.O.C.
 Title: **CRESTLINE(2/7)-DDR2 A/B CH**
 Size: A3 Document Number: **LT71** Rev: _____
 Date: Tuesday, September 25, 2007 Sheet: _____ of _____

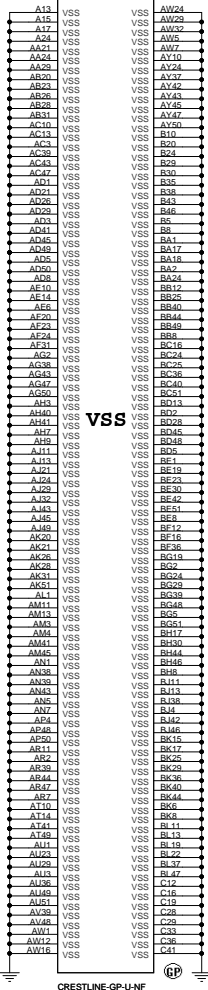


緯創資通 **Wistron Corporation**
 21F, 8F, 5th Fl., Hsin-Fu Rd. No. 76, Hsinchu, Taipei Hsin 221, Taiwan, R.O.C.

CRESTLINE(G7)-PWR/IGND
 Title: L771 Document Number: Rev: SC

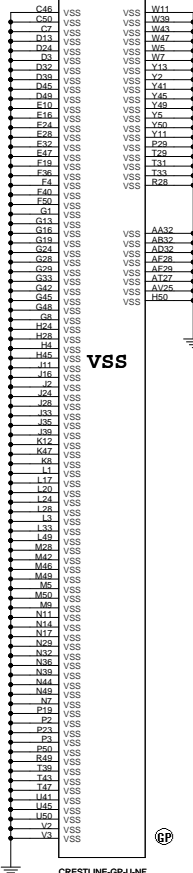
Date: Tuesday, September 25, 2017 1:01 1st of 53

UB01 9 OF 10



CRESTLINE-GP-U-NF

UB08 0 OF 10



VSS

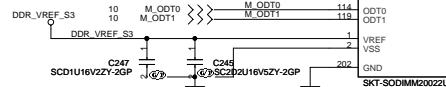
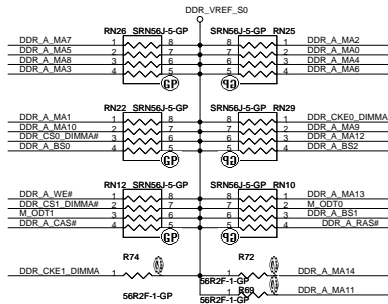
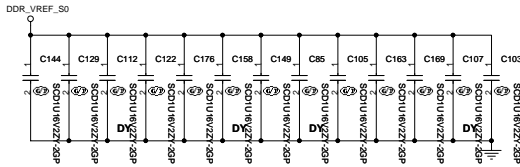
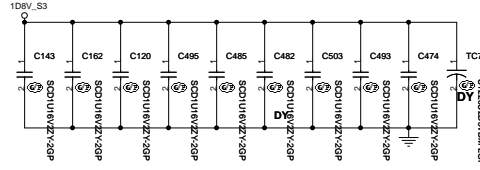
CRESTLINE-GP-U-NF

LT71

緯創資通 **Wistron Corporation**
 21F, 88, Sec.1, Hsin Tai Wu Rd., Hsinchu, Taiwan, R.O.C.

Title: **CRESTLINE(77)-PWR/GND**
 Size: A3 Document Number: LT71 Rev: 53
 Date: Tuesday, September 25, 2007 Sheet: 14 of 53

- 9 DDR_A_DQS[0..7] <<<
- 9 DDR_A_DQ[0..63] <<<
- 9 DDR_A_DM[0..7] <<<
- 9 DDR_A_DQS[0..7] <<<
- 9 DDR_A_MA[0..14] <<<
- 9 DDR_A_BS[0..2] <<<



9 DDR_A_MA14 <<<

DIM#2		DIM#2		DIM#2	
A0	DDR_A_MA0	102	A0	RAS	108
A1	DDR_A_MA1	101	A1	/WE	109
A2	DDR_A_MA2	100	A2	/CAS#	113
A3	DDR_A_MA3	99	A3		
A4	DDR_A_MA4	98	A4	/CS0	110
A5	DDR_A_MA5	97	A5	/CS1	115
A6	DDR_A_MA6	96	A6		
A7	DDR_A_MA7	95	A7	CKE0	79
A8	DDR_A_MA8	94	A8	CKE1	80
A9	DDR_A_MA9	93	A9		
A10	DDR_A_MA10	92	A10		
A11	DDR_A_MA11	91	A11	CK0	30
A12	DDR_A_MA12	90	A12	CK0	32
A13	DDR_A_MA13	89	A13		
A14	DDR_A_MA14	88	A14	CK1	164
A15	DDR_A_MA15	87	A15	CK1	166
A16	DDR_A_MA16	86	A16		
A17	DDR_A_MA17	85	A17		
A18	DDR_A_MA18	84	A18		
A19	DDR_A_MA19	83	A19		
A20	DDR_A_MA20	82	A20		
A21	DDR_A_MA21	81	A21		
A22	DDR_A_MA22	80	A22		
A23	DDR_A_MA23	79	A23		
A24	DDR_A_MA24	78	A24		
A25	DDR_A_MA25	77	A25		
A26	DDR_A_MA26	76	A26		
A27	DDR_A_MA27	75	A27		
A28	DDR_A_MA28	74	A28		
A29	DDR_A_MA29	73	A29		
A30	DDR_A_MA30	72	A30		
A31	DDR_A_MA31	71	A31		
A32	DDR_A_MA32	70	A32		
A33	DDR_A_MA33	69	A33		
A34	DDR_A_MA34	68	A34		
A35	DDR_A_MA35	67	A35		
A36	DDR_A_MA36	66	A36		
A37	DDR_A_MA37	65	A37		
A38	DDR_A_MA38	64	A38		
A39	DDR_A_MA39	63	A39		
A40	DDR_A_MA40	62	A40		
A41	DDR_A_MA41	61	A41		
A42	DDR_A_MA42	60	A42		
A43	DDR_A_MA43	59	A43		
A44	DDR_A_MA44	58	A44		
A45	DDR_A_MA45	57	A45		
A46	DDR_A_MA46	56	A46		
A47	DDR_A_MA47	55	A47		
A48	DDR_A_MA48	54	A48		
A49	DDR_A_MA49	53	A49		
A50	DDR_A_MA50	52	A50		
A51	DDR_A_MA51	51	A51		
A52	DDR_A_MA52	50	A52		
A53	DDR_A_MA53	49	A53		
A54	DDR_A_MA54	48	A54		
A55	DDR_A_MA55	47	A55		
A56	DDR_A_MA56	46	A56		
A57	DDR_A_MA57	45	A57		
A58	DDR_A_MA58	44	A58		
A59	DDR_A_MA59	43	A59		
A60	DDR_A_MA60	42	A60		
A61	DDR_A_MA61	41	A61		
A62	DDR_A_MA62	40	A62		
A63	DDR_A_MA63	39	A63		
A64	DDR_A_MA64	38	A64		
A65	DDR_A_MA65	37	A65		
A66	DDR_A_MA66	36	A66		
A67	DDR_A_MA67	35	A67		
A68	DDR_A_MA68	34	A68		
A69	DDR_A_MA69	33	A69		
A70	DDR_A_MA70	32	A70		
A71	DDR_A_MA71	31	A71		
A72	DDR_A_MA72	30	A72		
A73	DDR_A_MA73	29	A73		
A74	DDR_A_MA74	28	A74		
A75	DDR_A_MA75	27	A75		
A76	DDR_A_MA76	26	A76		
A77	DDR_A_MA77	25	A77		
A78	DDR_A_MA78	24	A78		
A79	DDR_A_MA79	23	A79		
A80	DDR_A_MA80	22	A80		
A81	DDR_A_MA81	21	A81		
A82	DDR_A_MA82	20	A82		
A83	DDR_A_MA83	19	A83		
A84	DDR_A_MA84	18	A84		
A85	DDR_A_MA85	17	A85		
A86	DDR_A_MA86	16	A86		
A87	DDR_A_MA87	15	A87		
A88	DDR_A_MA88	14	A88		
A89	DDR_A_MA89	13	A89		
A90	DDR_A_MA90	12	A90		
A91	DDR_A_MA91	11	A91		
A92	DDR_A_MA92	10	A92		
A93	DDR_A_MA93	9	A93		
A94	DDR_A_MA94	8	A94		
A95	DDR_A_MA95	7	A95		
A96	DDR_A_MA96	6	A96		
A97	DDR_A_MA97	5	A97		
A98	DDR_A_MA98	4	A98		
A99	DDR_A_MA99	3	A99		
A100	DDR_A_MA100	2	A100		
A101	DDR_A_MA101	1	A101		

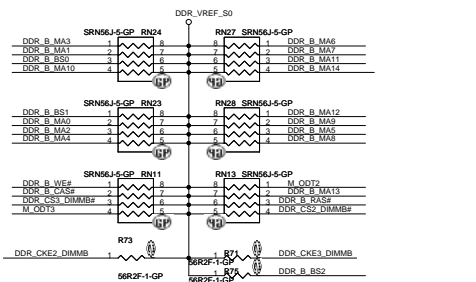
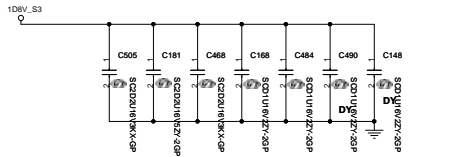
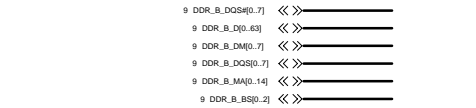
LT71

緯創資通 Wistron Corporation
 21F, 88, Sec.1, Hsin Tai Wu Rd., Hsinchu,
 Taipei Hsein 221, Taiwan, R.O.C.

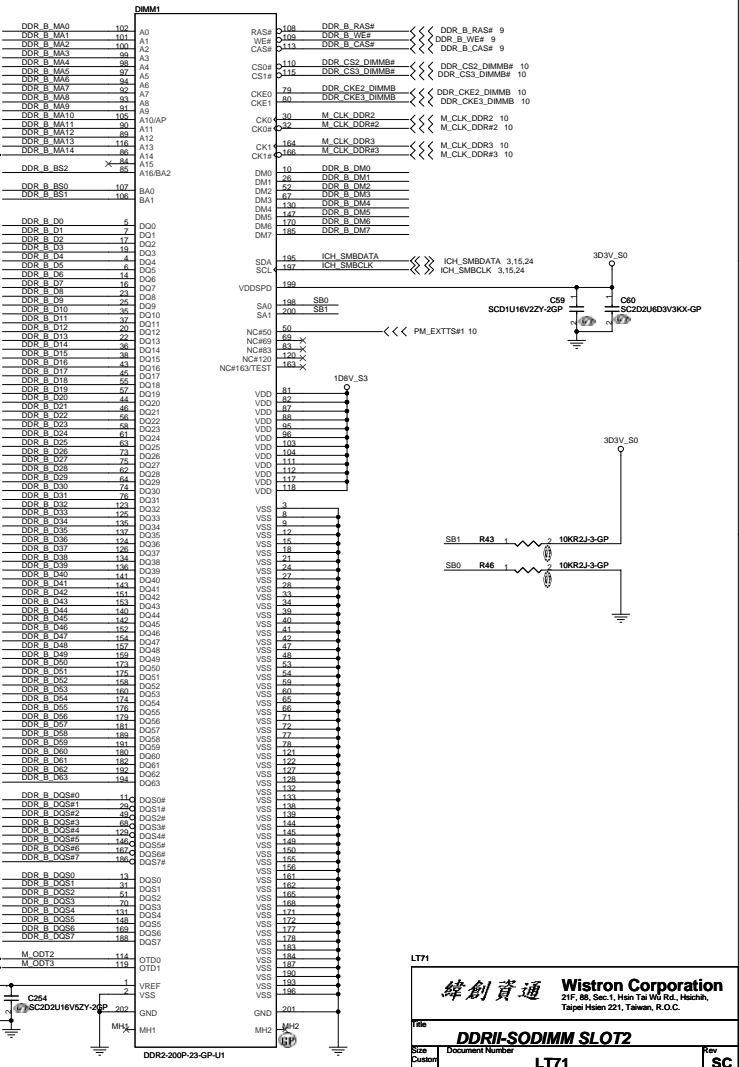
DDRII-SODIMM SLOT1

File
 Size Document Number
 Rev LT71 SC

Date: Tuesday, September 25, 2007 Sheet 15 of 53



9 DDR_B_MA14 <<>>



緯創資通

Wistron Corporation

21F, 88, Sec.1, Hsin Tai Wei Rd., Hsinchu, Taipei Hsinchu 301, Taiwan, R.O.C.

File: **DDR1-SODIMM SLOT2**

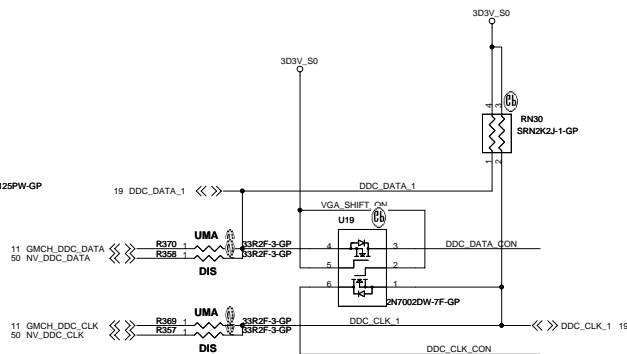
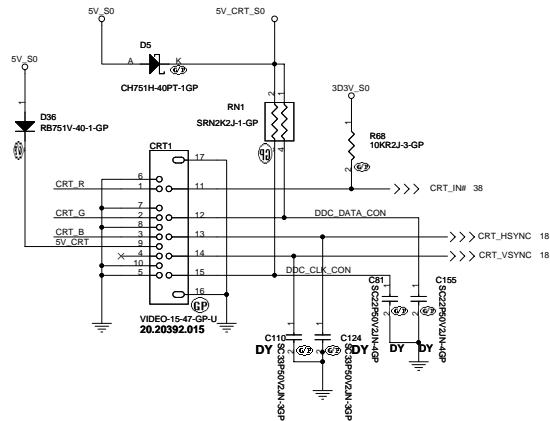
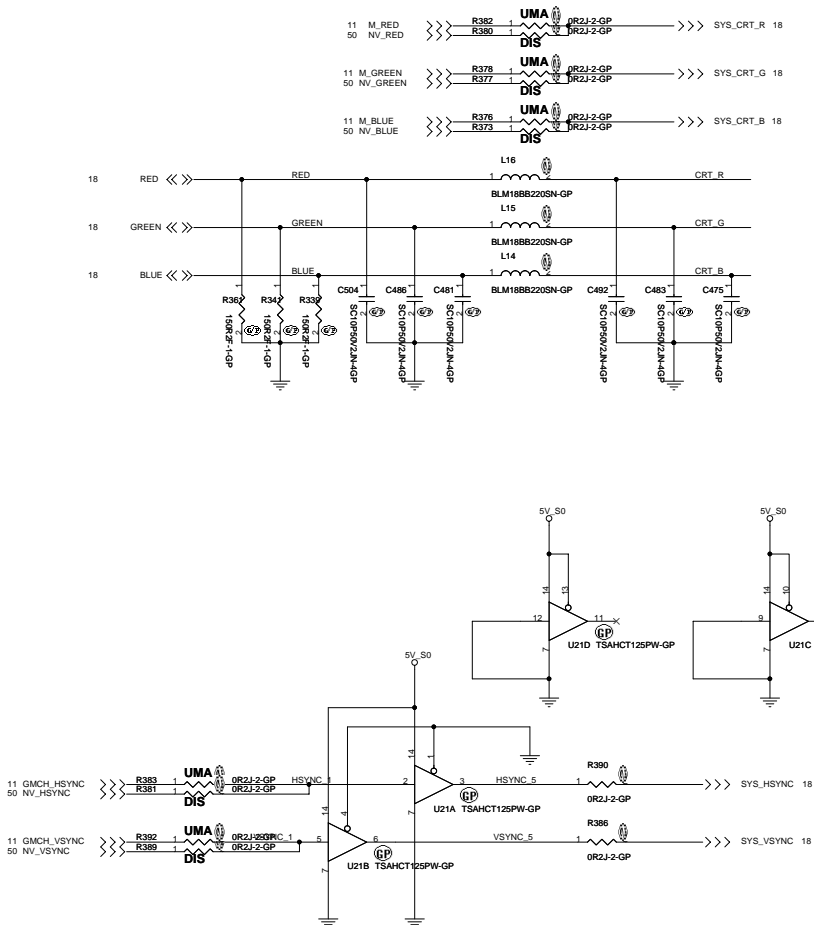
Size: _____ Date: **Tuesday, September 25, 2007**

Docu: _____ Rev: **SC**

LT71

Sheet 16 of 83

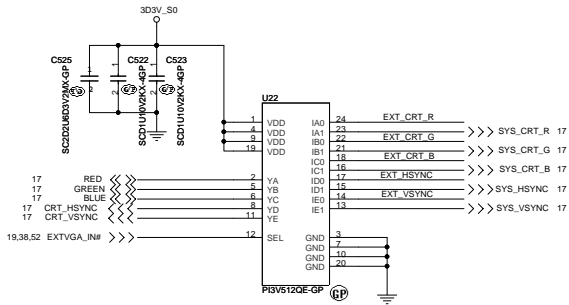
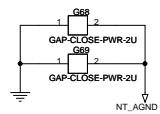
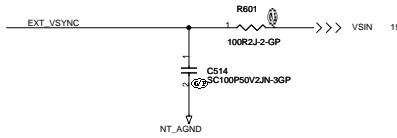
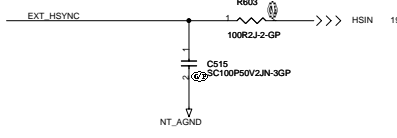
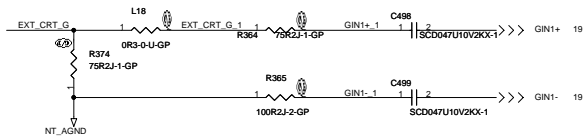
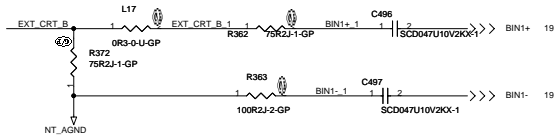
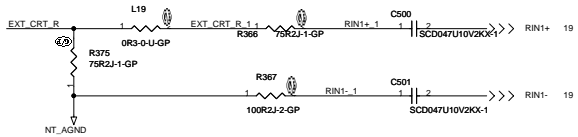
CRT I/F & CONNECTOR



LT171

緯創資通 Wistron Corporation
 21F, 88, Sec.1, Hsin Tai Wu Rd., Hsinchu, Taipei Hsien 221, Taiwan, R.O.C.

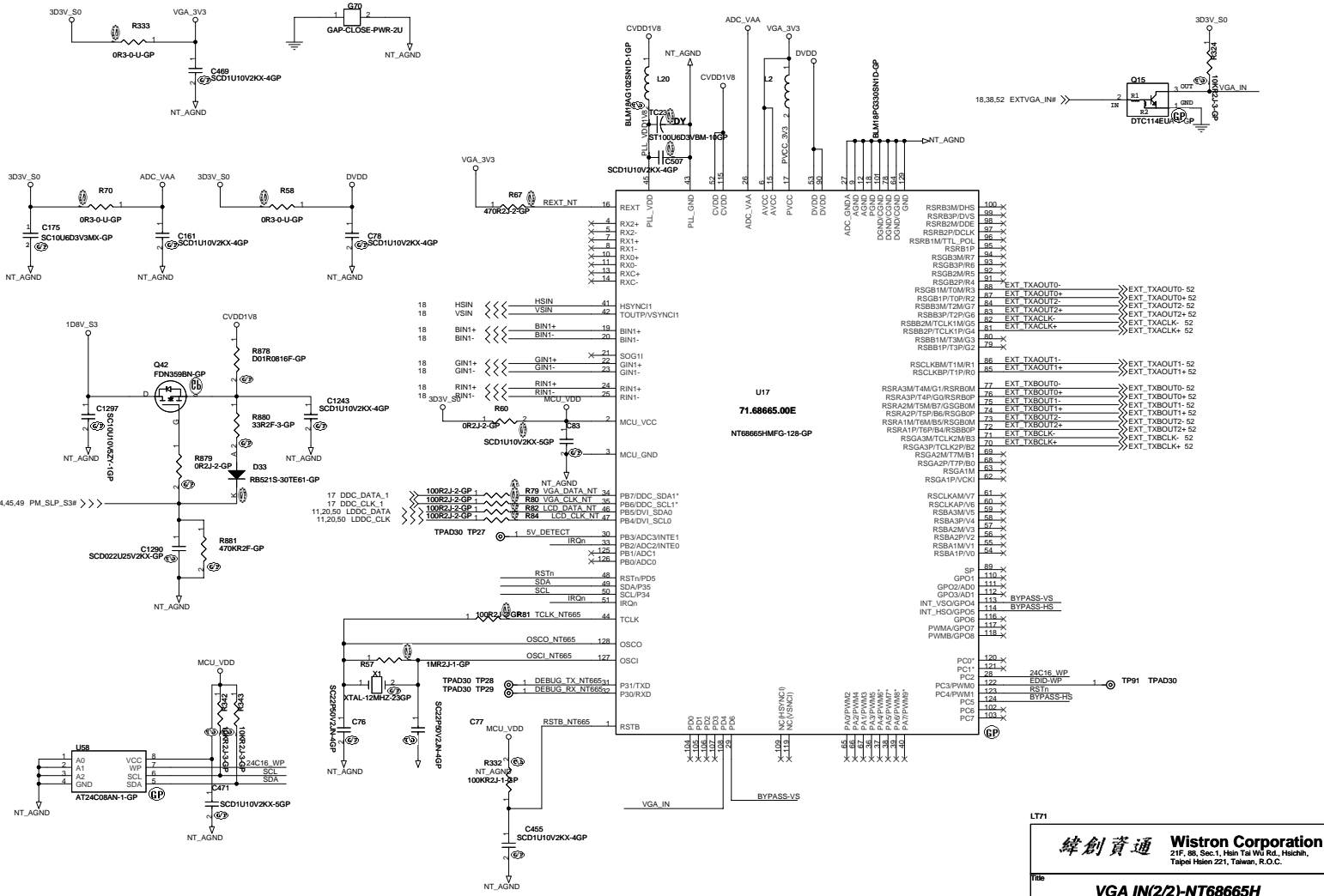
Title		CRT Connector	
Size	Document Number	Rev	SC
R3		LT171	
Date:	Tuesday, September 25, 2007	Sheet	17 of 53



LT71

緯創資通 Wistron Corporation
 21F, 88, Sec.1, Hsin Tai Wu Rd., Hsinchu,
 Taipei Hsien 221, Taiwan, R.O.C.

Title		VGA IN(1/2)-RGB IN	
Size	Document Number	Rev	SC
Date: Tuesday, September 25, 2007		Sheet 16	of 53



LT71

緯創資通 **Wistron Corporation**
 21F, 88, Sec. 1, Hsin Tai Wu Rd., Hsinchu, Taipei Hsien 221, Taiwan, R.O.C.

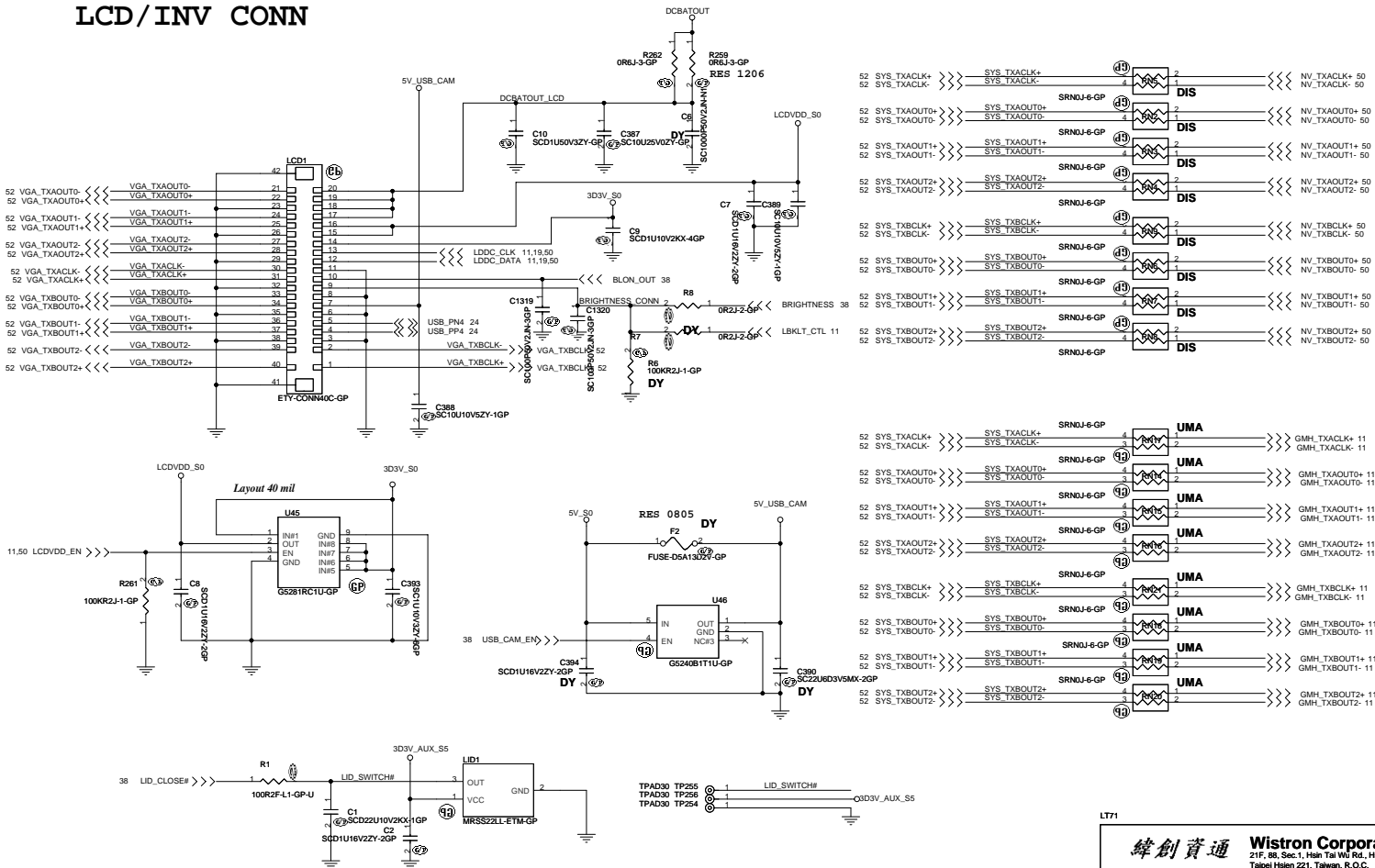
File: **VGA IN(2)-NT68665H**

Size: Document Number Rev: **SC**

Date: Tuesday, September 25, 2007 Sheet 19 of 53

LED / INVERTER INTERFACE

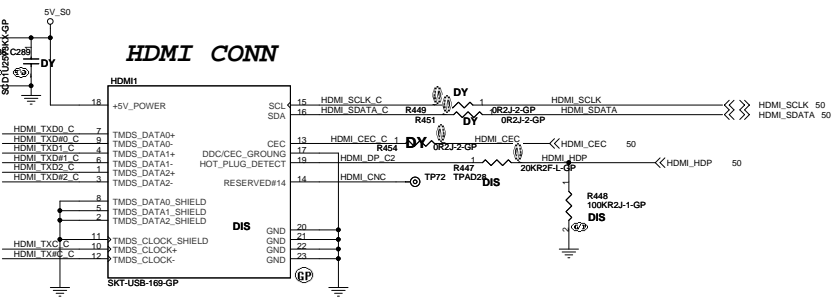
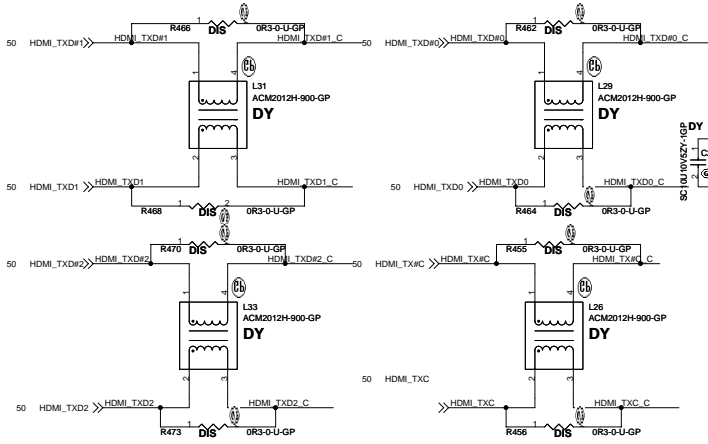
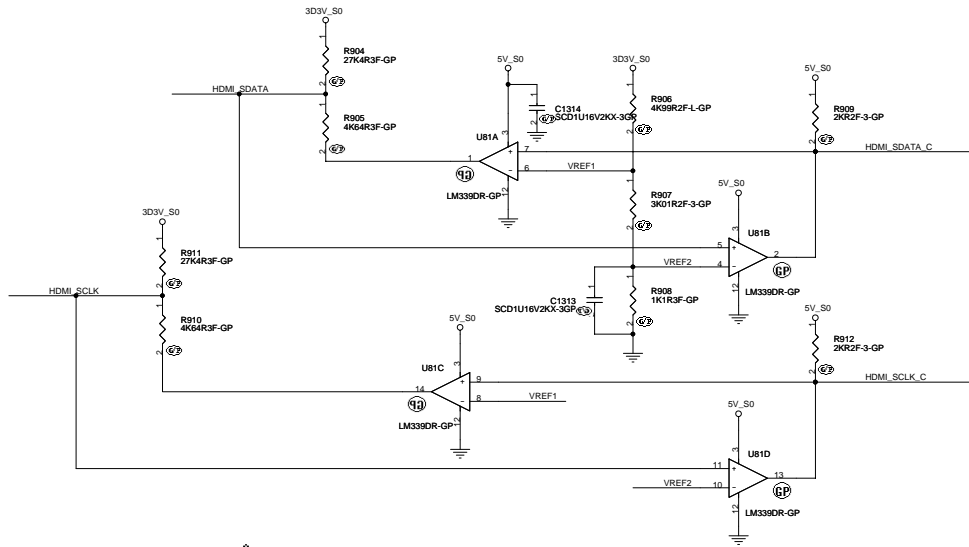
LCD/INV CONN



LT71

緯創資通 **Wistron Corporation**
 21F, 86, Sec.1, Hsin Tai Wu Rd., Hsichih,
 Taipei Hsin 221, Taiwan, R.O.C.

File	LCD/Inverter Connector		
Size	Document Number	LT71	Rev
A3			SC
Date:	Tuesday, September 25, 2007	Sheet	20 of 53



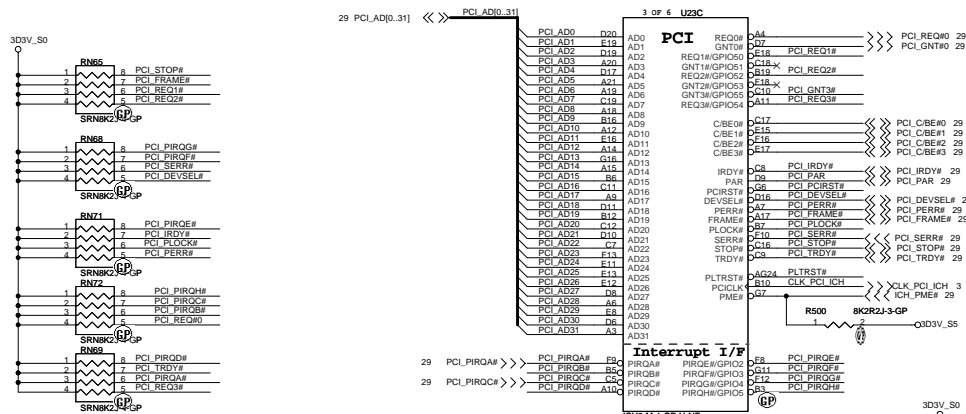
LT71

緯創資通 **Wistron Corporation**
 21F, 88, Sec.1, Hsin Tai Wu Rd., Hsinchu,
 Taipei Hsien 221, Taiwan, R.O.C.

Title: **HDMI Connector**

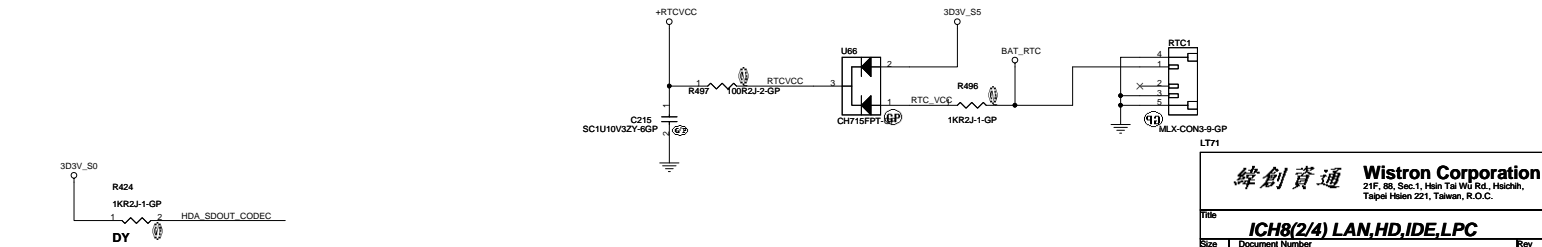
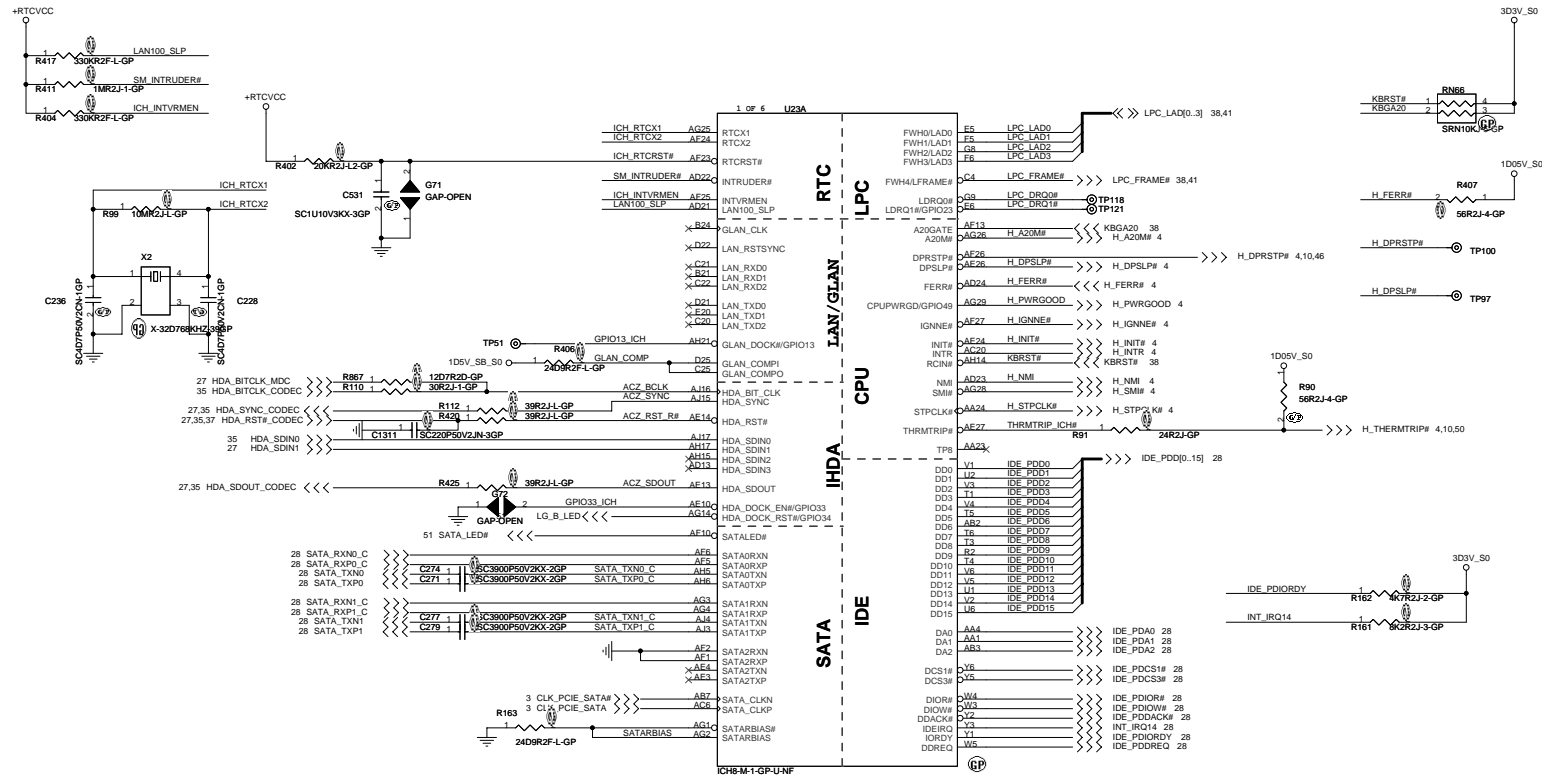
Size: R3 Document Number: **LT71** Rev: **SC**

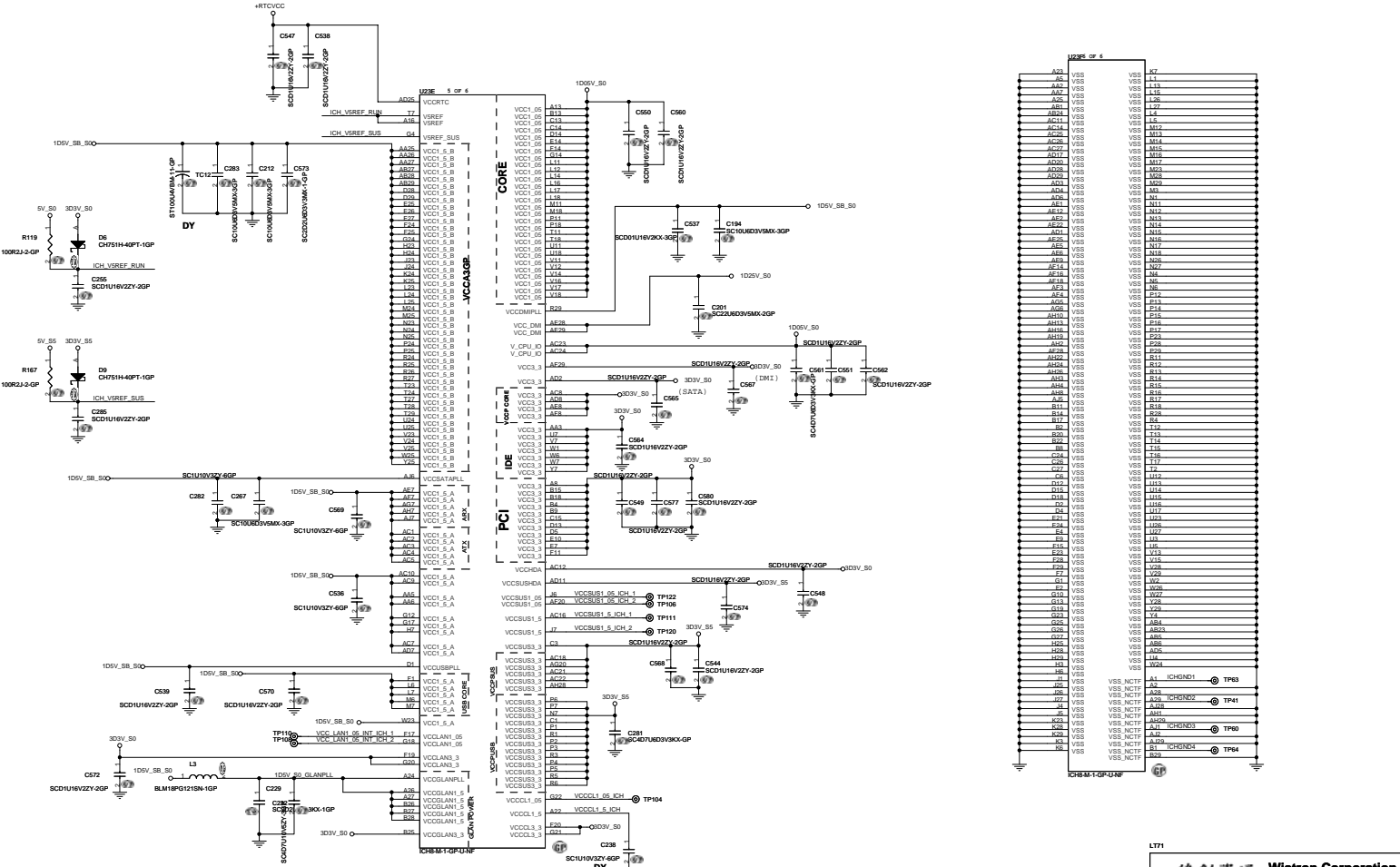
Date: Tuesday, September 25, 2007 Sheet: 21 of 53



LT71

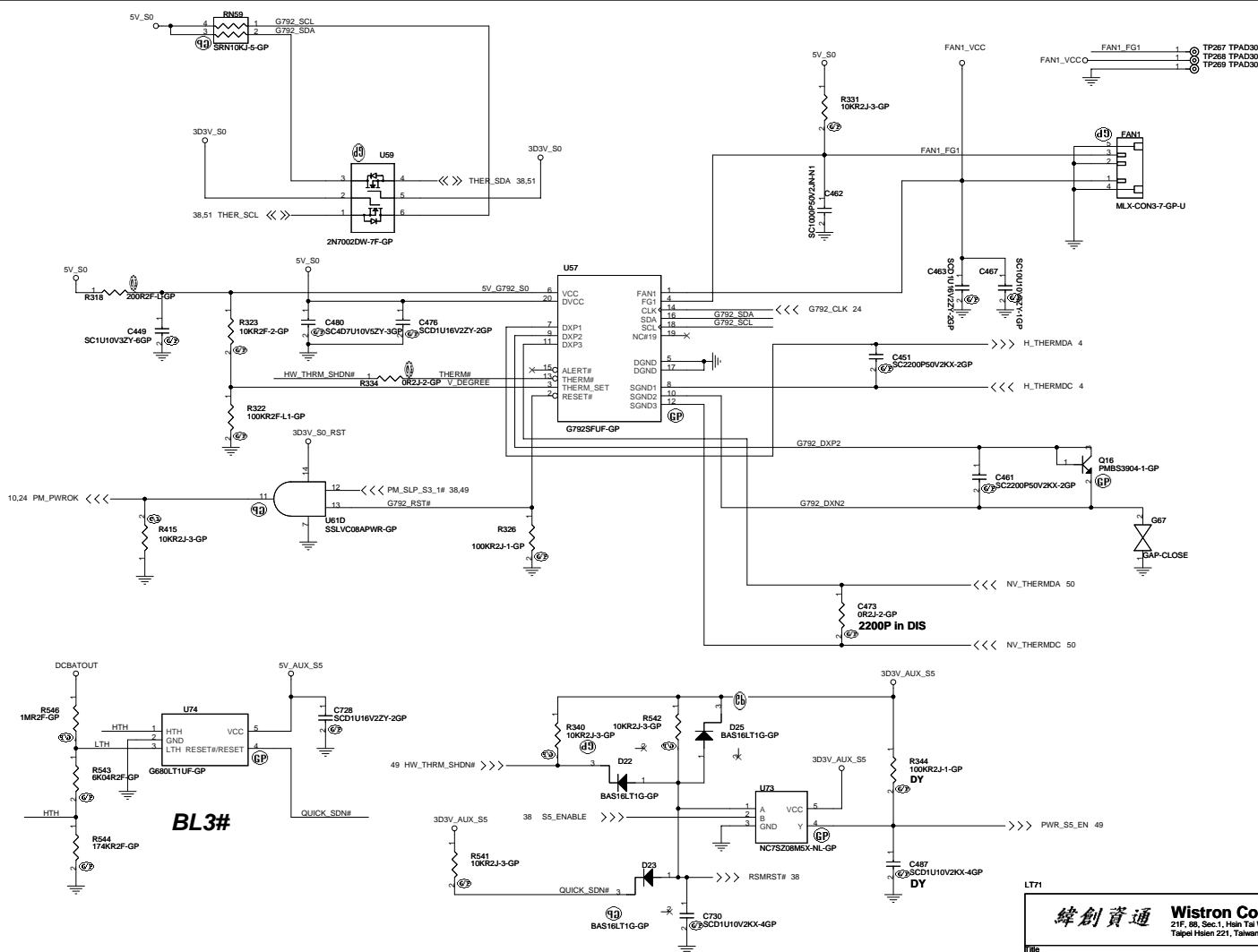
緯創資通 Wistron Corporation 21F, 88, Sec.1, Hsin Tai Wu Rd., Hsinchu, Taipei Hsien 221, Taiwan, R.O.C.	
ICHB(1/4)-PCI/INT	
File	Document Number
Size	Rev
LT71	
Date: Tuesday, September 25, 2007	Sheet 22 of 53



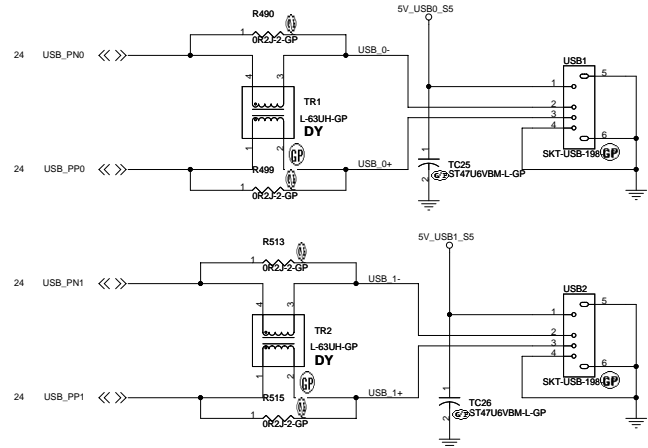
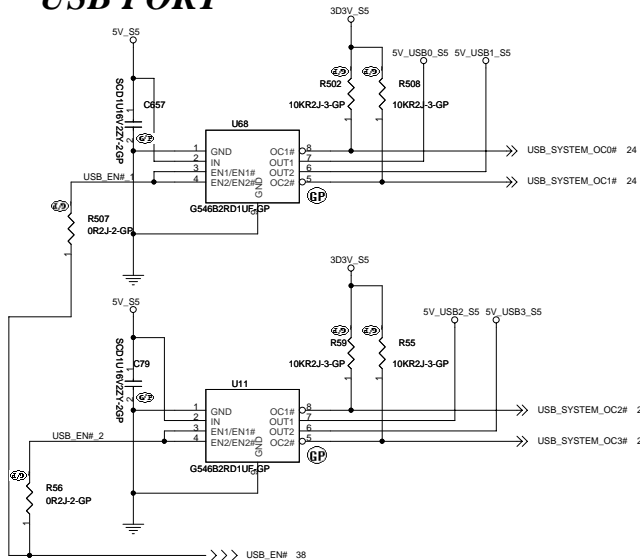


U285 OF 4

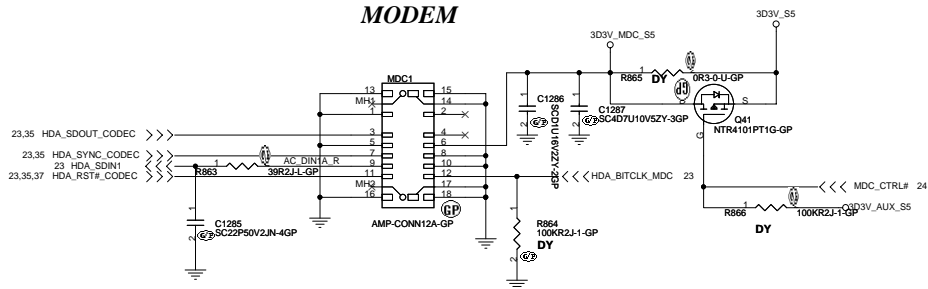
A23	VSS	XT
A24	VSS	
A25	VSS	
A26	VSS	
A27	VSS	
A28	VSS	
A29	VSS	
A30	VSS	
A31	VSS	
A32	VSS	
A33	VSS	
A34	VSS	
A35	VSS	
A36	VSS	
A37	VSS	
A38	VSS	
A39	VSS	
A40	VSS	
A41	VSS	
A42	VSS	
A43	VSS	
A44	VSS	
A45	VSS	
A46	VSS	
A47	VSS	
A48	VSS	
A49	VSS	
A50	VSS	
A51	VSS	
A52	VSS	
A53	VSS	
A54	VSS	
A55	VSS	
A56	VSS	
A57	VSS	
A58	VSS	
A59	VSS	
A60	VSS	
A61	VSS	
A62	VSS	
A63	VSS	
A64	VSS	
A65	VSS	
A66	VSS	
A67	VSS	
A68	VSS	
A69	VSS	
A70	VSS	
A71	VSS	
A72	VSS	
A73	VSS	
A74	VSS	
A75	VSS	
A76	VSS	
A77	VSS	
A78	VSS	
A79	VSS	
A80	VSS	
A81	VSS	
A82	VSS	
A83	VSS	
A84	VSS	
A85	VSS	
A86	VSS	
A87	VSS	
A88	VSS	
A89	VSS	
A90	VSS	
A91	VSS	
A92	VSS	
A93	VSS	
A94	VSS	
A95	VSS	
A96	VSS	
A97	VSS	
A98	VSS	
A99	VSS	
A100	VSS	
A101	VSS	
A102	VSS	
A103	VSS	
A104	VSS	
A105	VSS	
A106	VSS	
A107	VSS	
A108	VSS	
A109	VSS	
A110	VSS	
A111	VSS	
A112	VSS	
A113	VSS	
A114	VSS	
A115	VSS	
A116	VSS	
A117	VSS	
A118	VSS	
A119	VSS	
A120	VSS	
A121	VSS	
A122	VSS	
A123	VSS	
A124	VSS	
A125	VSS	
A126	VSS	
A127	VSS	
A128	VSS	
A129	VSS	
A130	VSS	
A131	VSS	
A132	VSS	
A133	VSS	
A134	VSS	
A135	VSS	
A136	VSS	
A137	VSS	
A138	VSS	
A139	VSS	
A140	VSS	
A141	VSS	
A142	VSS	
A143	VSS	
A144	VSS	
A145	VSS	
A146	VSS	
A147	VSS	
A148	VSS	
A149	VSS	
A150	VSS	
A151	VSS	
A152	VSS	
A153	VSS	
A154	VSS	
A155	VSS	
A156	VSS	
A157	VSS	
A158	VSS	
A159	VSS	
A160	VSS	
A161	VSS	
A162	VSS	
A163	VSS	
A164	VSS	
A165	VSS	
A166	VSS	
A167	VSS	
A168	VSS	
A169	VSS	
A170	VSS	
A171	VSS	
A172	VSS	
A173	VSS	
A174	VSS	
A175	VSS	
A176	VSS	
A177	VSS	
A178	VSS	
A179	VSS	
A180	VSS	
A181	VSS	
A182	VSS	
A183	VSS	
A184	VSS	
A185	VSS	
A186	VSS	
A187	VSS	
A188	VSS	
A189	VSS	
A190	VSS	
A191	VSS	
A192	VSS	
A193	VSS	
A194	VSS	
A195	VSS	
A196	VSS	
A197	VSS	
A198	VSS	
A199	VSS	
A200	VSS	
A201	VSS	
A202	VSS	
A203	VSS	
A204	VSS	
A205	VSS	
A206	VSS	
A207	VSS	
A208	VSS	
A209	VSS	
A210	VSS	
A211	VSS	
A212	VSS	
A213	VSS	
A214	VSS	
A215	VSS	
A216	VSS	
A217	VSS	
A218	VSS	
A219	VSS	
A220	VSS	
A221	VSS	
A222	VSS	
A223	VSS	
A224	VSS	
A225	VSS	
A226	VSS	
A227	VSS	
A228	VSS	
A229	VSS	
A230	VSS	
A231	VSS	
A232	VSS	
A233	VSS	
A234	VSS	
A235	VSS	
A236	VSS	
A237	VSS	
A238	VSS	
A239	VSS	
A240	VSS	
A241	VSS	
A242	VSS	
A243	VSS	
A244	VSS	
A245	VSS	
A246	VSS	
A247	VSS	
A248	VSS	
A249	VSS	
A250	VSS	
A251	VSS	
A252	VSS	
A253	VSS	
A254	VSS	
A255	VSS	
A256	VSS	
A257	VSS	
A258	VSS	
A259	VSS	
A260	VSS	
A261	VSS	
A262	VSS	
A263	VSS	
A264	VSS	
A265	VSS	
A266	VSS	
A267	VSS	
A268	VSS	
A269	VSS	
A270	VSS	
A271	VSS	
A272	VSS	
A273	VSS	
A274	VSS	
A275	VSS	
A276	VSS	
A277	VSS	
A278	VSS	
A279	VSS	
A280	VSS	
A281	VSS	
A282	VSS	
A283	VSS	
A284	VSS	
A285	VSS	
A286	VSS	
A287	VSS	
A288	VSS	
A289	VSS	
A290	VSS	
A291	VSS	
A292	VSS	
A293	VSS	
A294	VSS	
A295	VSS	
A296	VSS	
A297	VSS	
A298	VSS	
A299	VSS	
A300	VSS	



USB PORT



MODEM



LT71

緯創資通 **Wistron Corporation**
21F, 88, Sec.1, Hsin Tai Wu Rd., Hsueh-shih,
Taippei Hsien 221, Taiwan, R.O.C.

Title

USB I/O

Size

Document Number

B

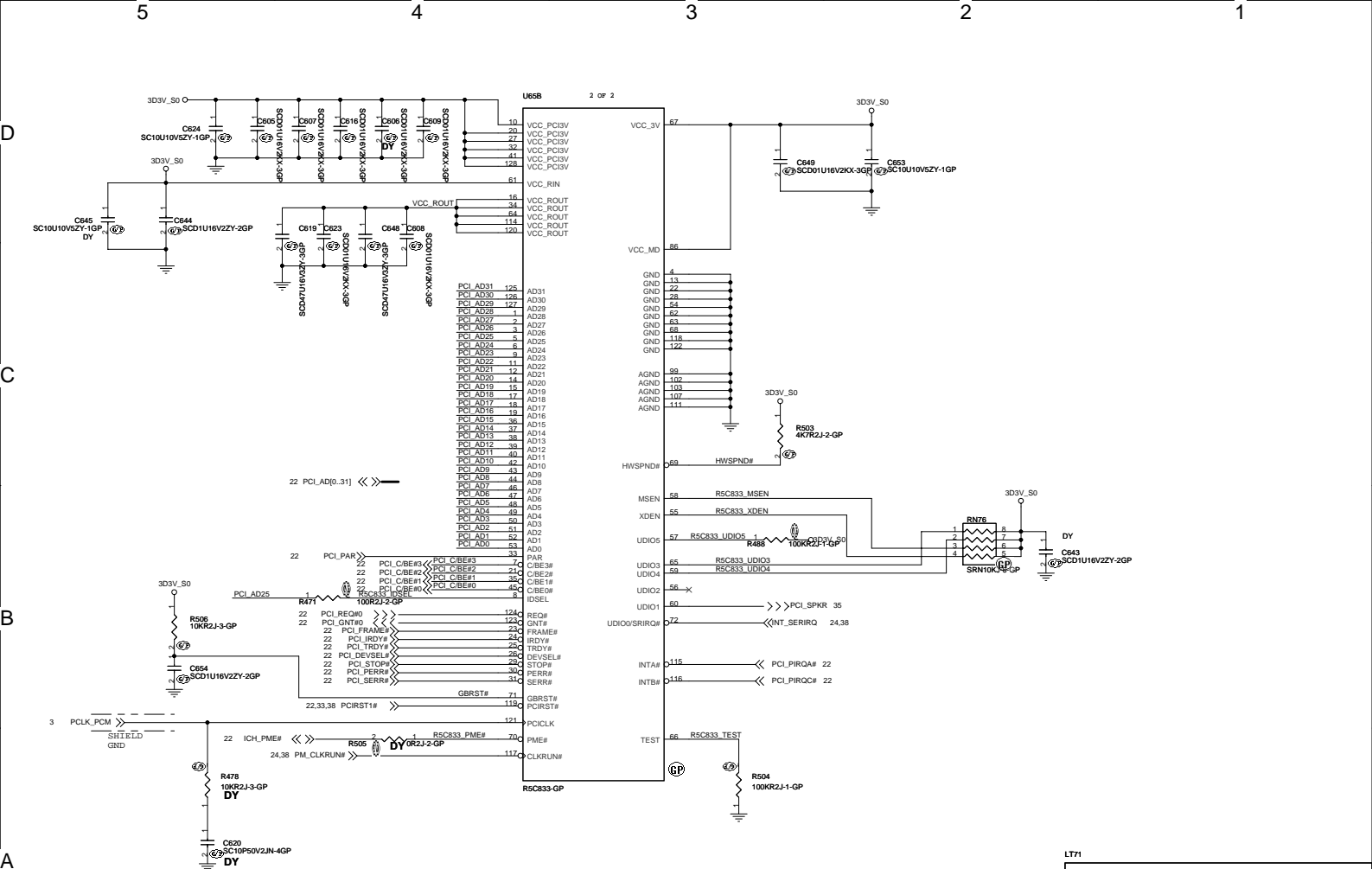
LT71

Rw

SC

Date: Tuesday, September 25, 2007

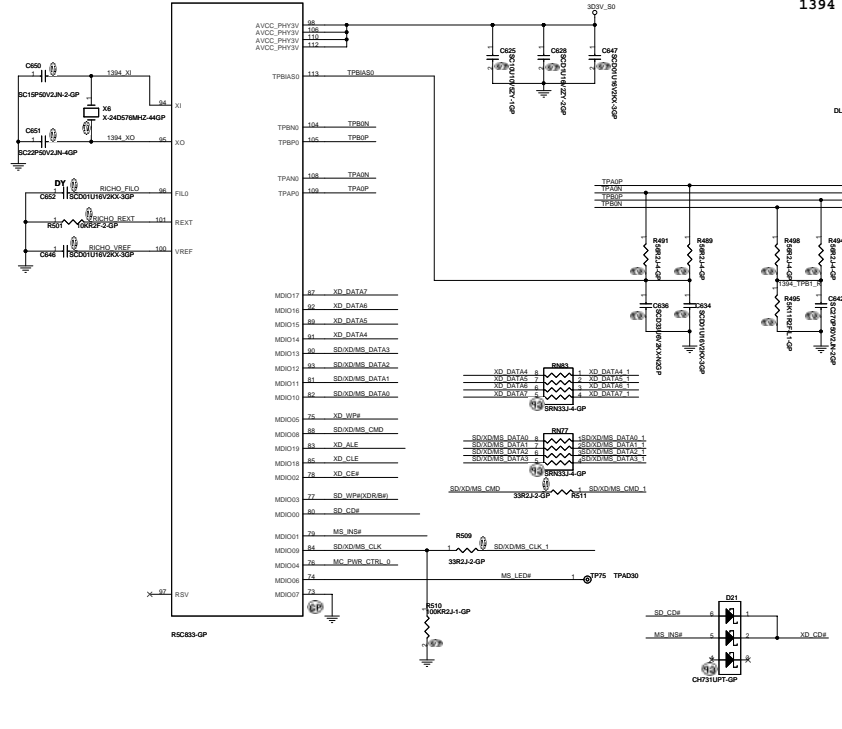
Sheet 27 of 53



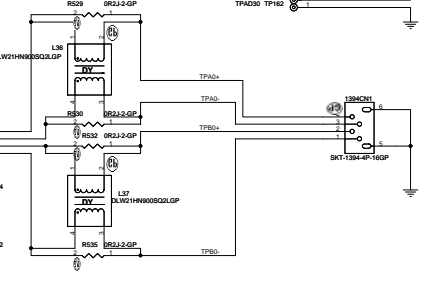
LT71

USA 1 of 2

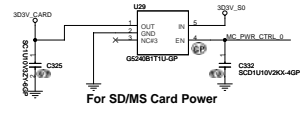
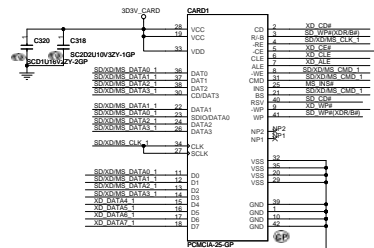
1394 Function



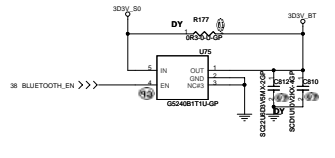
- TPA00 TP168 1 TPAA0
- TPA00 TP169 2 TPAA0
- TPA00 TP170 3 TPAA0
- TPA00 TP181 4 TPAA0
- TPA00 TP182 5 TPAA0



CARD READER



BT CONNECTOR



- TPA00 TP280 1 BLUETOOTH_LED
- TPA00 TP282 2 BT_BUSY
- TPA00 TP281 3 BT_BUSY
- TPA00 TP286 4 USB_PP3_BT 24
- TPA00 TP285 5 USB_PP3_BT 24
- TPA00 TP287 6 BLUETOOTH_LED 40
- TPA00 TP288 7 BT_BUSY 31

LT71

Wistron Corporation
 緯創資通
 21F, 8B, Sec. 1, Hsin Tai Me Rd., Hsinchu, Taipei Hsein 221, Taiwan, R.O.C.

R5C832/IEEE1394/SD/BT

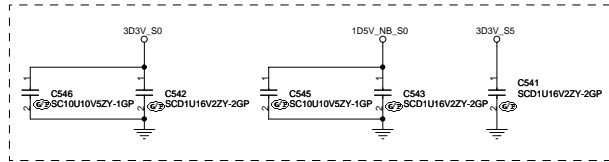
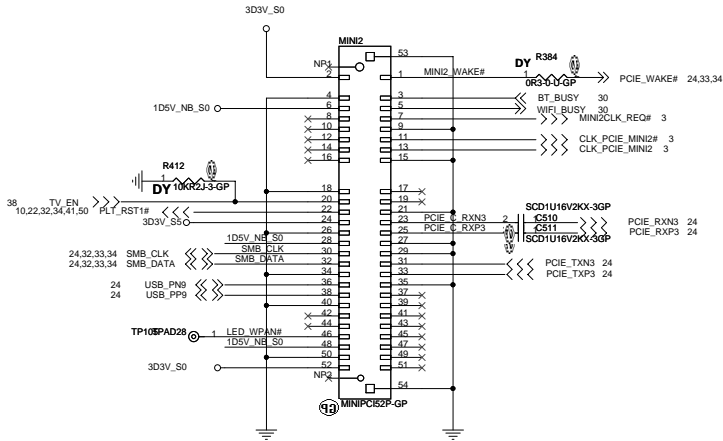
Doc# Document Number **LT71**

Rev: 1.00

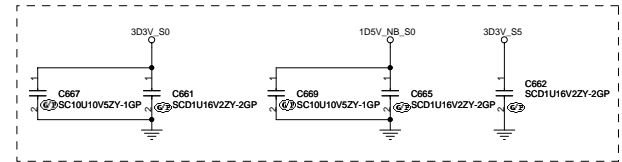
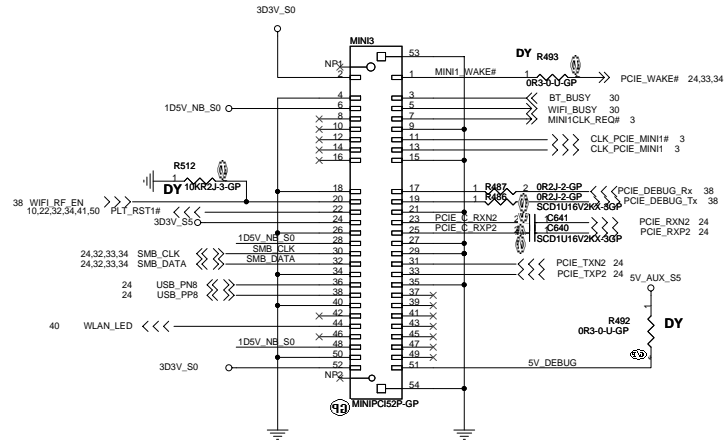
Issue: November, September 26, 2007

Mini PCI-E Connector

WWAN/TV-TUNER



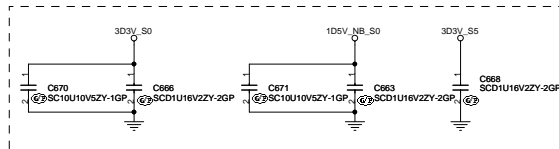
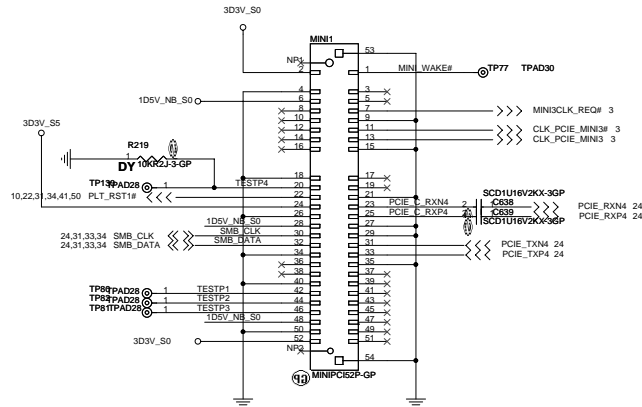
Wireless Card



LT71

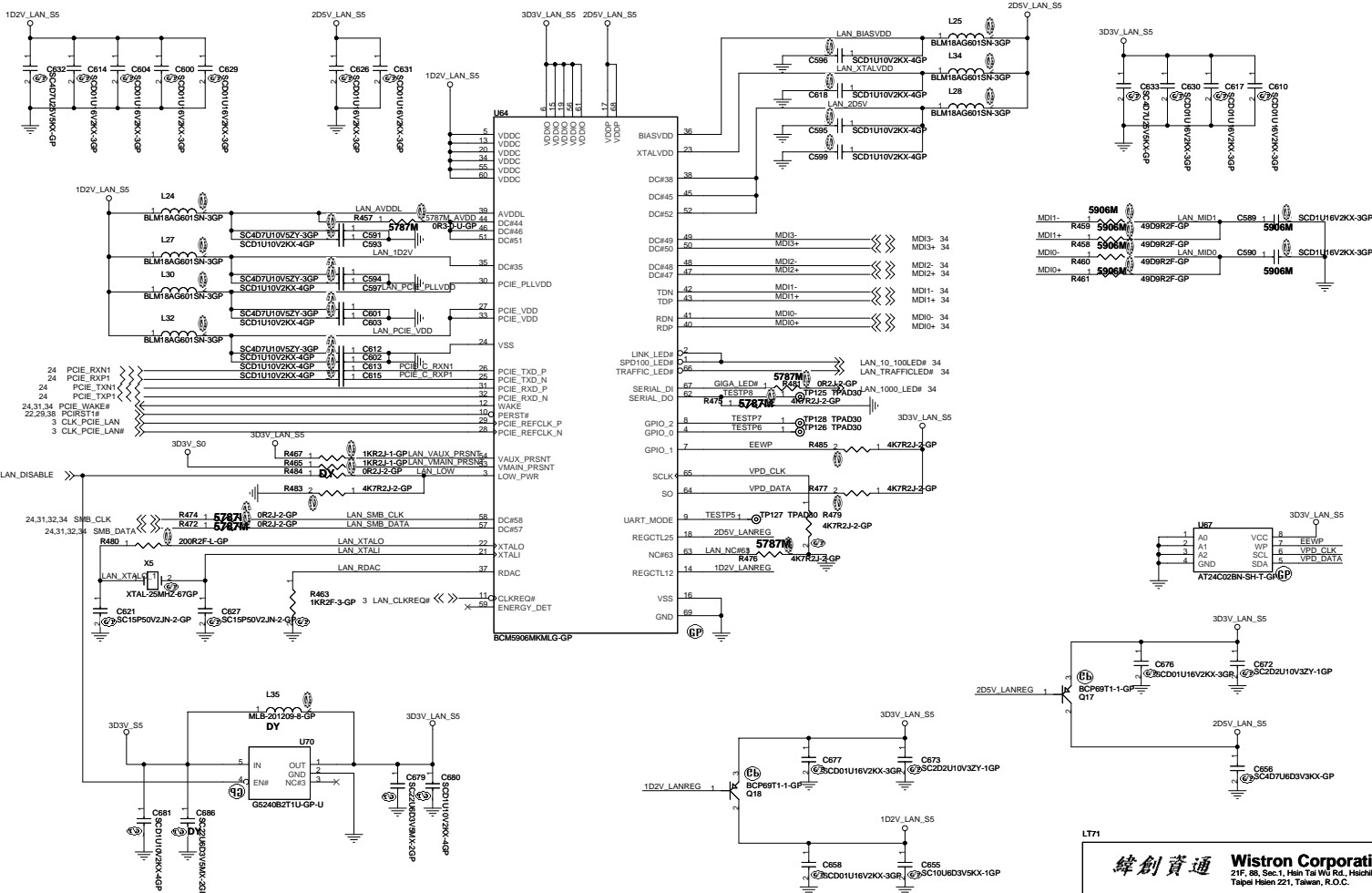
 Wistron Corporation 21F, 88, Sec.1, Hsin Tai Wu Rd., Hsuehshih, Taipei Hsien 221, Taiwan, R.O.C.	
Title	
MINI CARD CONN(12).	
Size	Document Number
B	LT71
Date: Tuesday, September 25, 2007	Sheet 31 of 53

Mini PCI-E Connector



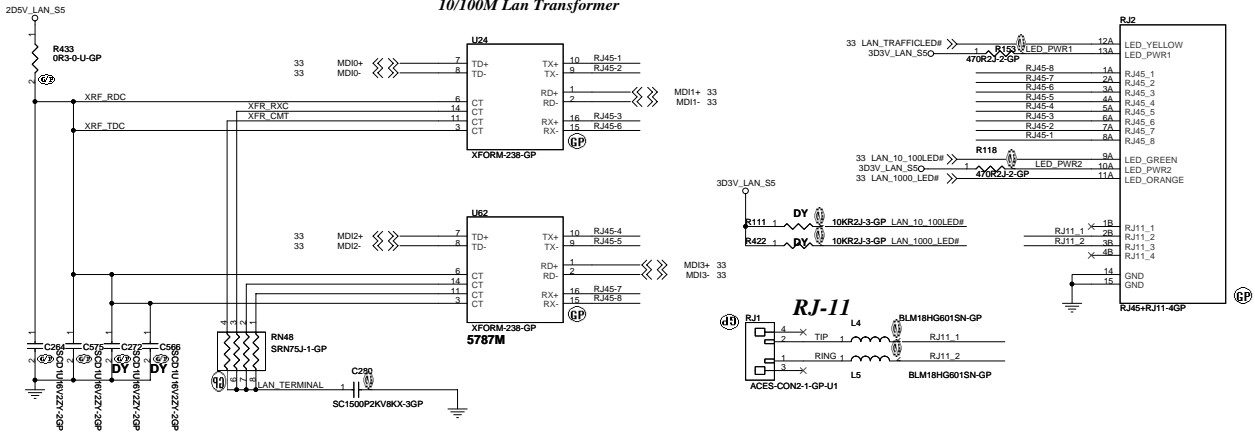
LT71

緯創資通 Wistron Corporation		21F, 88, Sec.1, Hsin Tai Wu Rd., Hsinchu, Taipei Hsien 221, Taiwan, R.O.C.	
MINIPCIe Robson			
LT71			
Size	Document Number	Rev	SC
Date:	Tuesday, September 25, 2007	Sheet	32 of 53



緯創資通 Wistron Corporation
 21F, 88, Sec. 1, Hsin Tai Wu Rd., Hsinchu, Taipei Hsien 221, Taiwan, R.O.C.

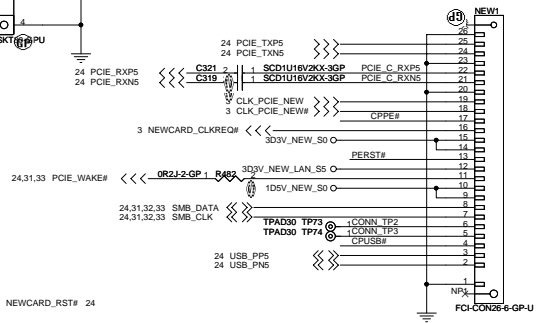
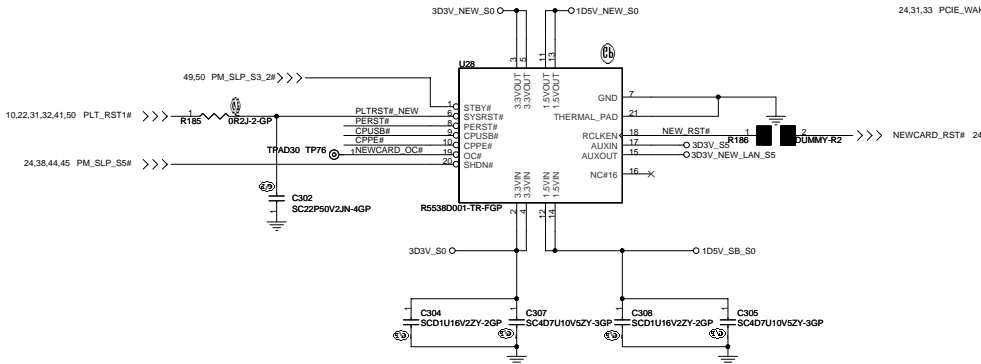
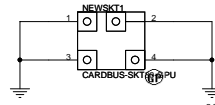
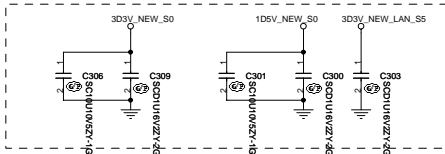
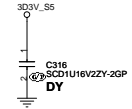
10/100M Lan Transformer



NEWCARD

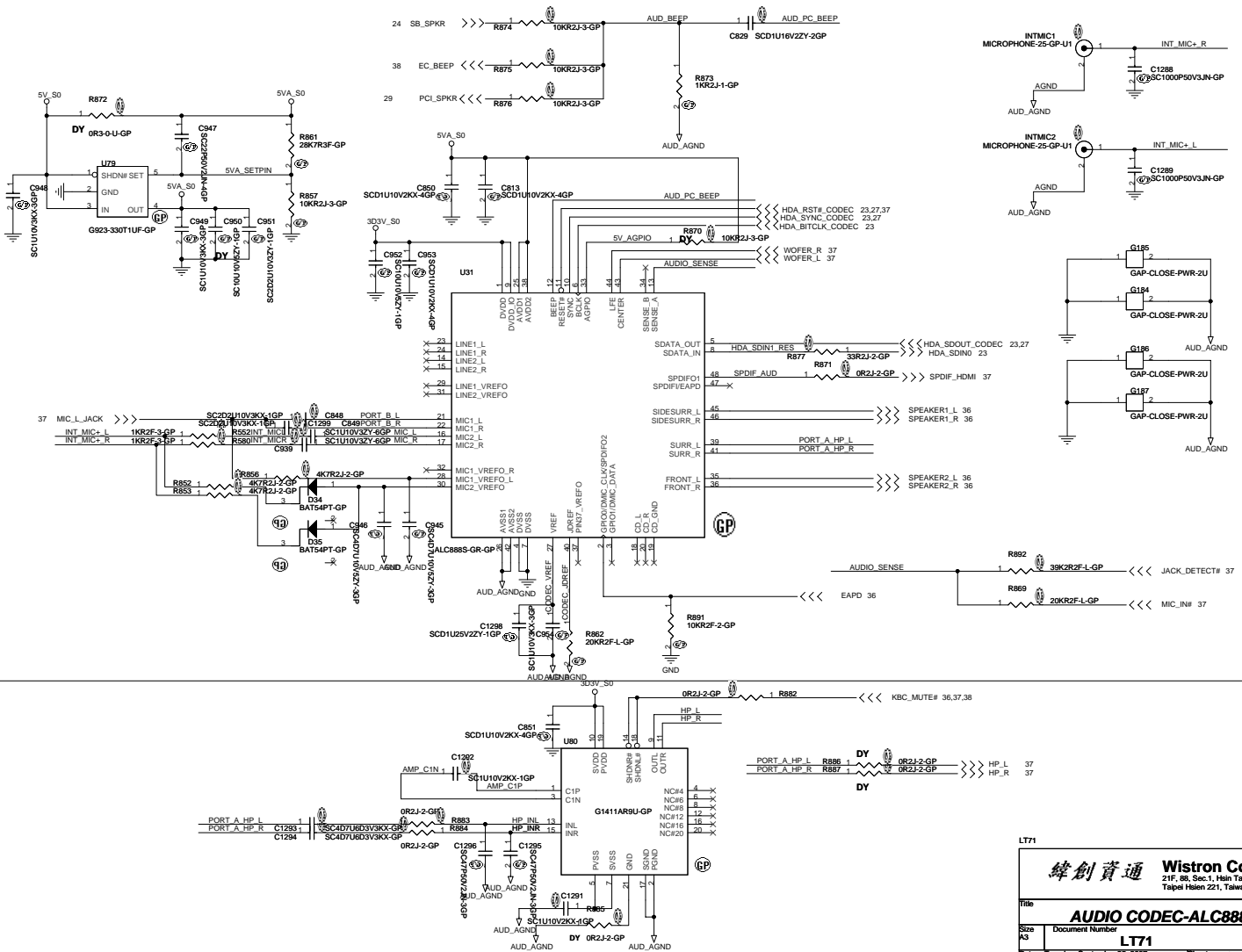
Connector

Place them Near to Chip



LT71

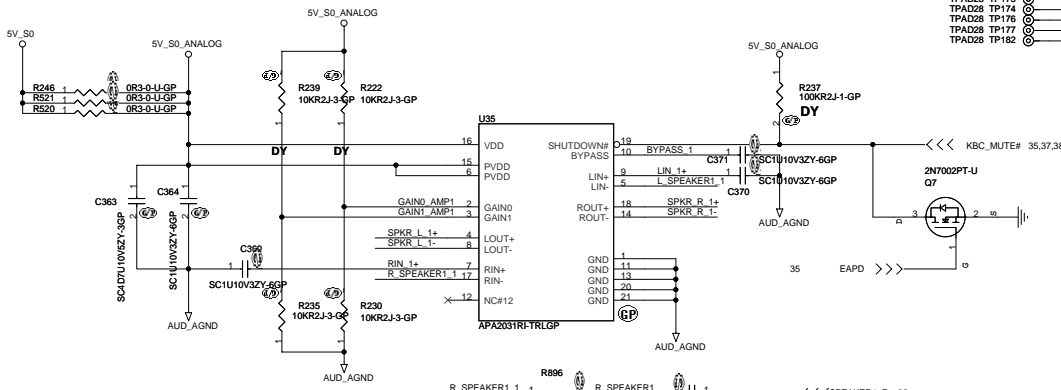
緯創資通 Wistron Corporation
21F, 88, Sec.1, Hsin Tai Wu Rd., Hsinchu, Taipei Hsien 221, Taiwan, R.O.C.



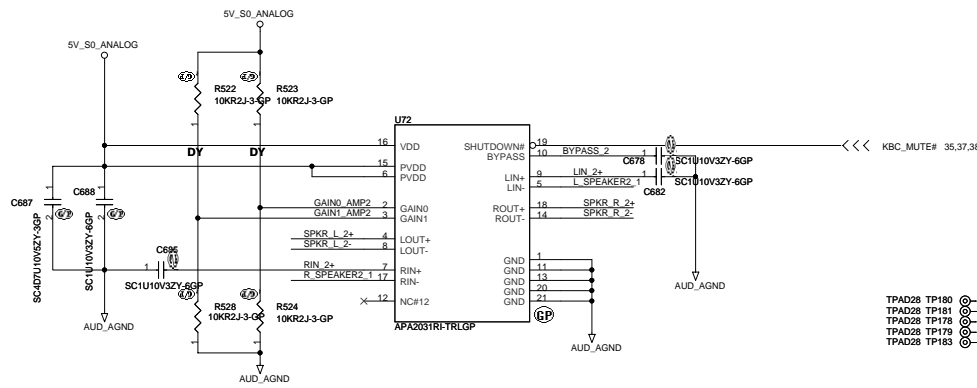
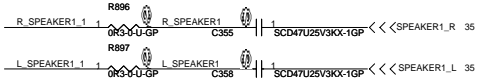
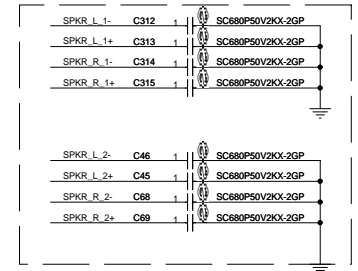
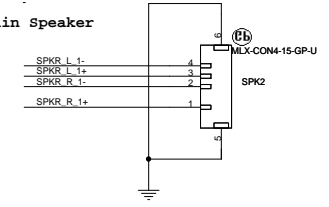
LT71

Wistron Corporation
 21F, 88, Sec. 1, Hsin Tai Wu Rd., Hsinchu, Taipei Hsien 221, Taiwan, R.O.C.

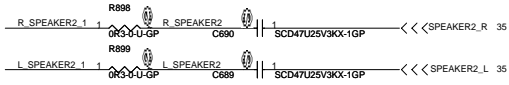
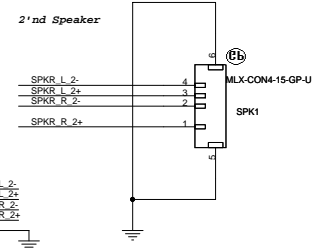
Title		AUDIO CODEC-ALC888S	
Size	Document Number	Rev	SC
LT71			
Date:	Tuesday, September 25, 2007	Sheet	36 of 53



Main Speaker



2'nd Speaker



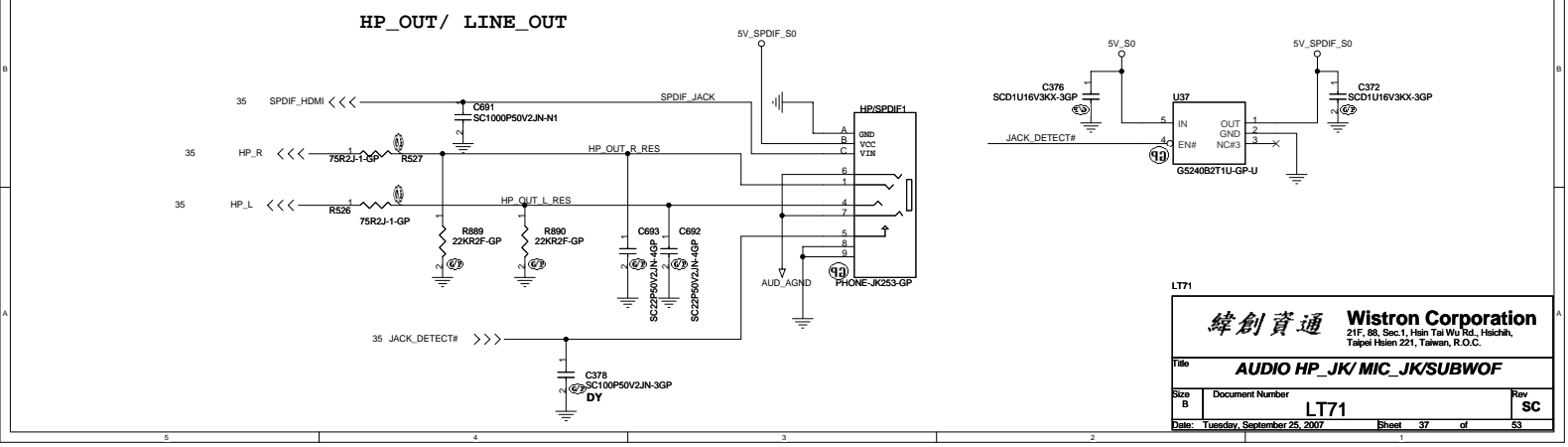
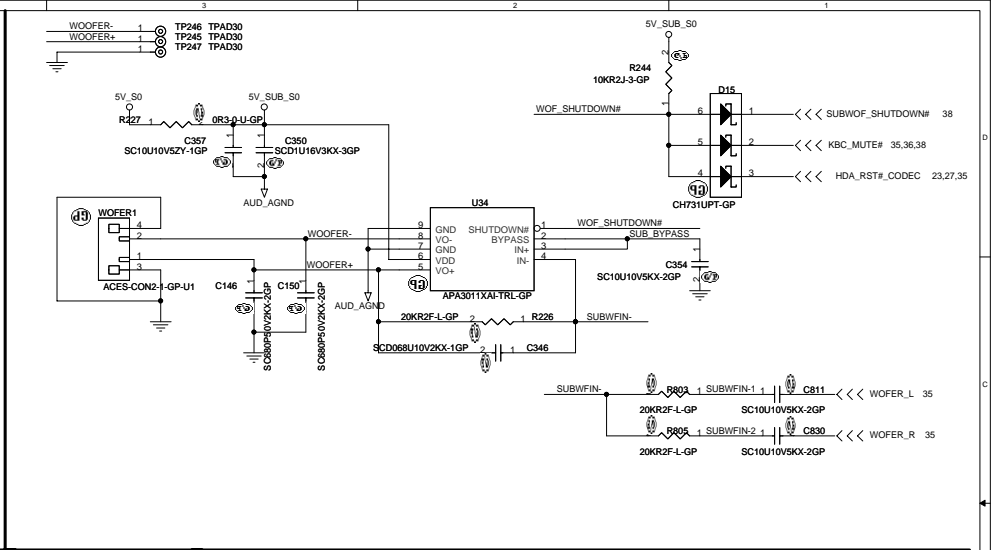
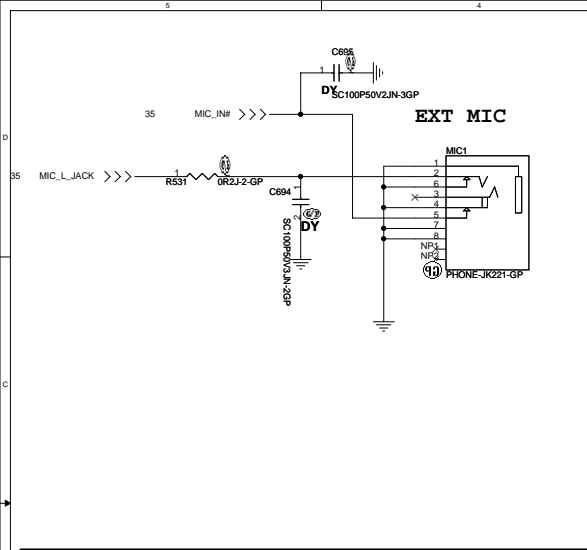
LT71

緯創資通 Wistron Corporation
21F, 88, Sec.1, Hsin Tai Wu Rd., Hsichih, Taipei Hsien 221, Taiwan, R.O.C.

Title: **AUDIO AMP/SPEAKER**

Size B Document Number **LT71** Rev **SC**

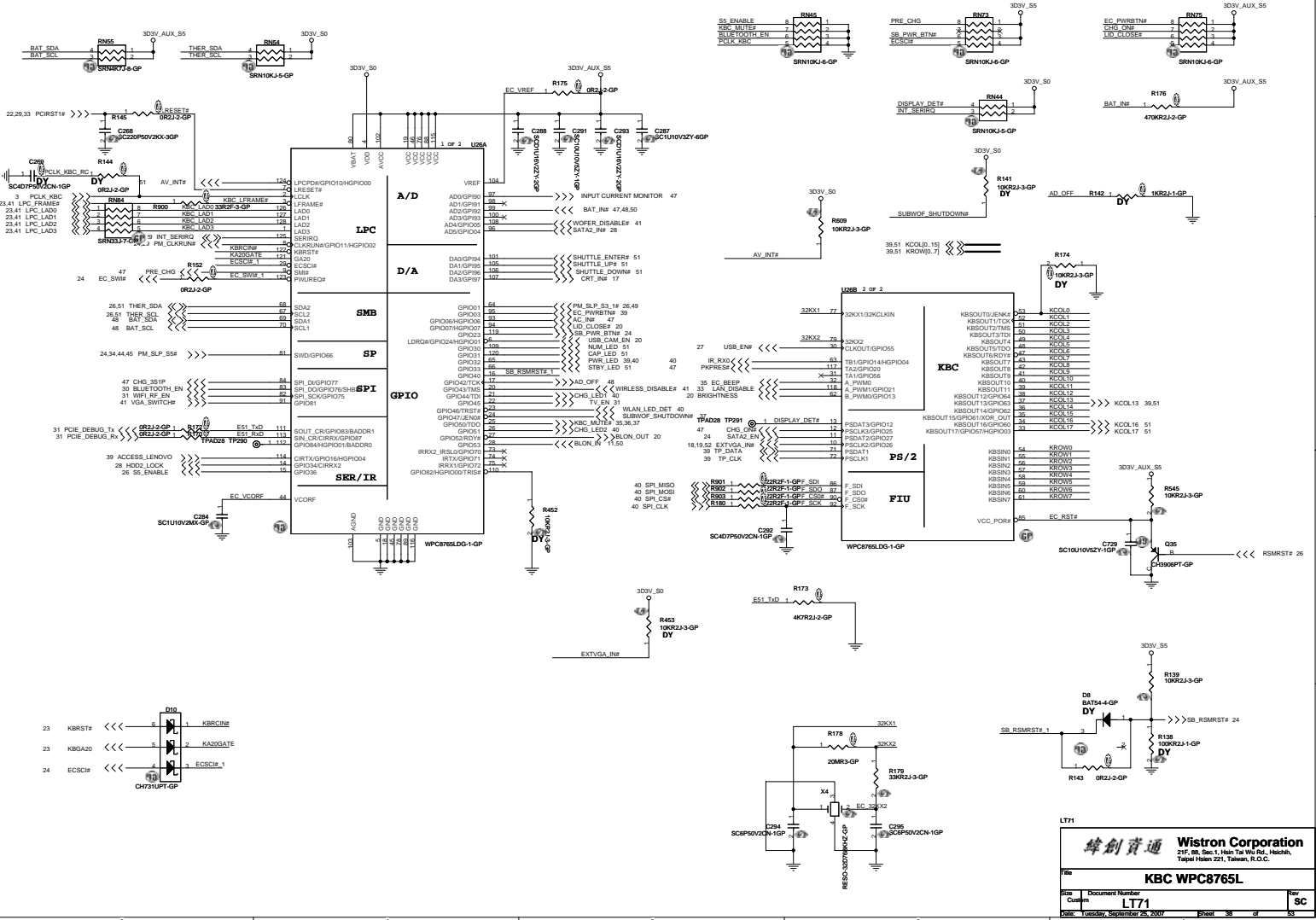
Date: Tuesday, September 25, 2007 Sheet 36 of 53

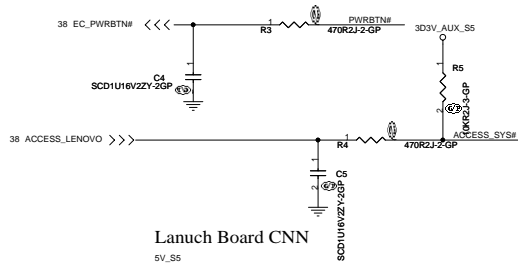


LT71

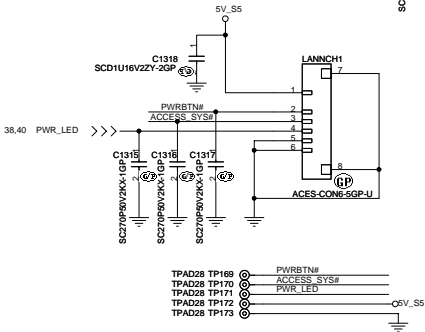
緯創資通 Wistron Corporation
 21F, 88, Sec.1, Hsin Tai Wu Rd., Hsichia, Taipei Hsien 221, Taiwan, R.O.C.

Title			AUDIO HP_JK/MIC_JK/SUBWOF		
Size	Document Number	Rev		SC	
B		LT71			
Date:	Tuesday, September 25, 2007	Sheet	37	of	53

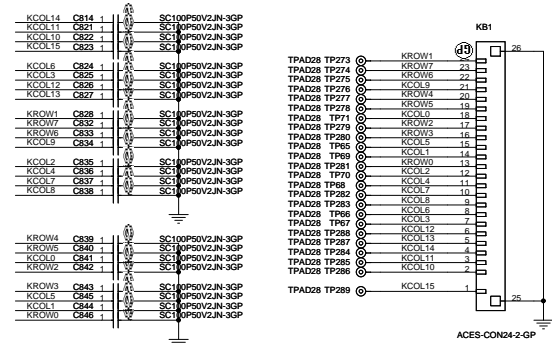




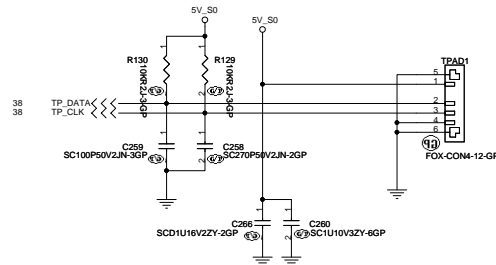
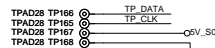
Launch Board CNN



Internal Keyboard Connector



TouchPad Connector

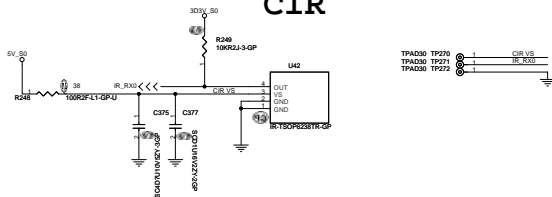


LT71

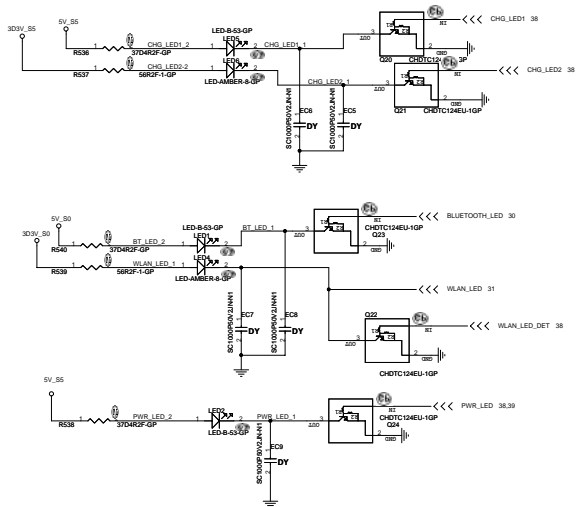
緯創資通 **Wistron Corporation**
21F, 88, Sec.1, Hsin Tai Wu Rd., Hsichin,
Taichung, Taiwan, R.O.C.

File		Keyboard/Touch Pad	
Size	Document Number	Rev	SC
A3	LT71		
Date: Tuesday, September 25, 2007		Sheet	39 of 53

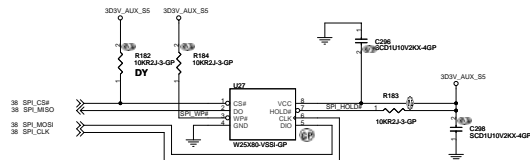
CIR



TP400 TP270
TP403 TP271
TP406 TP272



SPI ROM for System & KBC



LT71

緯創資通 Wistron Corporation
21F, 8F, 5th Fl., 19th Tai Wo Rd., Hsichang,
Tapei Hsing TSI, Taiwan, R.O.C.

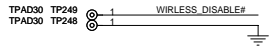
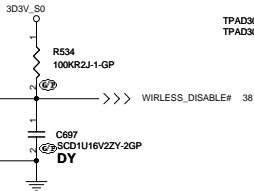
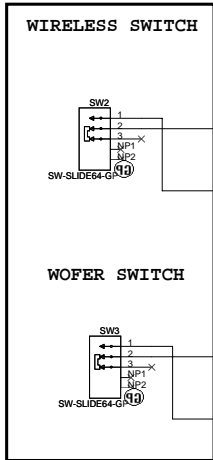
Rev		SC	
Doc		LT71	
Date		Tuesday, September 25, 2007	
Page		46 of 53	

GOLDEN FINGER FOR DEBUG BOARD

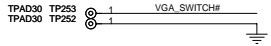
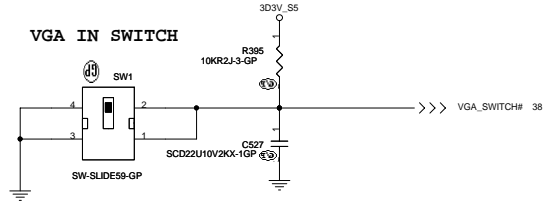
23.38 LPC_LAD[0..3] <<>>—

TPAD28	TP57	①	1	EXT_FWH#
TPAD28	TP62	②	1	LPC_LAD0
TPAD28	TP61	③	1	LPC_LAD1
TPAD28	TP58	④	1	LPC_LAD2
TPAD28	TP56	⑤	1	LPC_LAD3

TPAD28	TP58	①	1	PCLK_FWH	>>>	PCLK_FWH	3
TPAD28	TP55	②	1	LPC_FRAME#	>>>	LPC_FRAME#	23,38
TPAD28	TP129	③	1	PLT_RST1#	>>>	PLT_RST1#	10,22,31,32,34,50



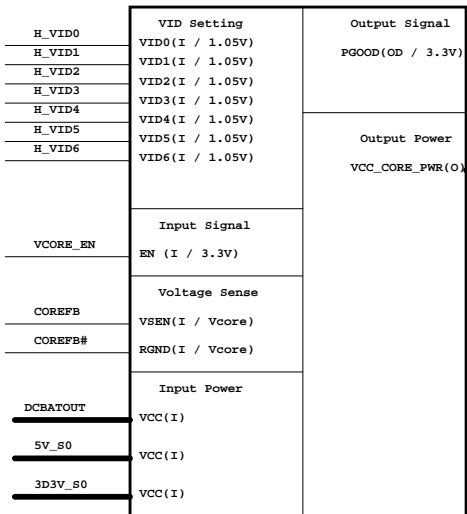
VGA IN SWITCH



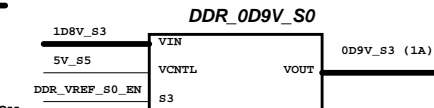
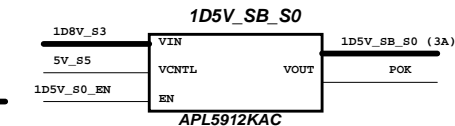
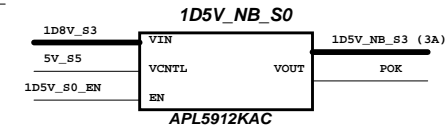
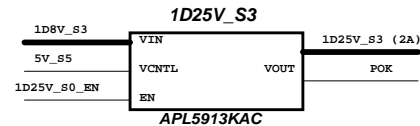
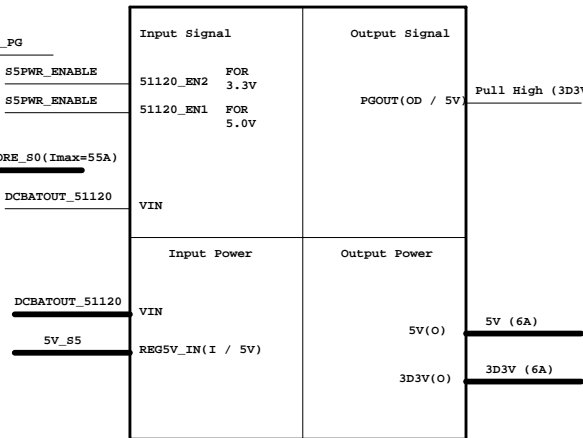
LT71

緯創資通		Wistron Corporation	
21F, 88, Sec.1, Hsin Tai Wu Rd., Hsichih, Taipei Hsien 221, Taiwan, R.O.C.		21F, 88, Sec.1, Hsin Tai Wu Rd., Hsichih, Taipei Hsien 221, Taiwan, R.O.C.	
FWH and Debug			
Title		Rev	
Size		Document Number	
B		LT71	
Date: Tuesday, September 25, 2007		Sheet 41 of 53	

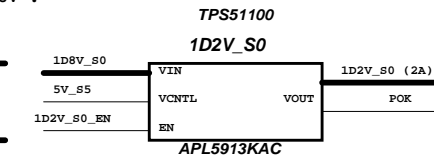
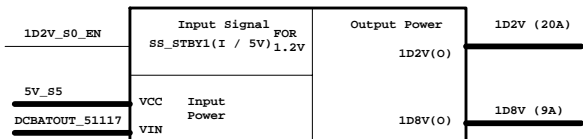
CPU_CORE
ADP3208



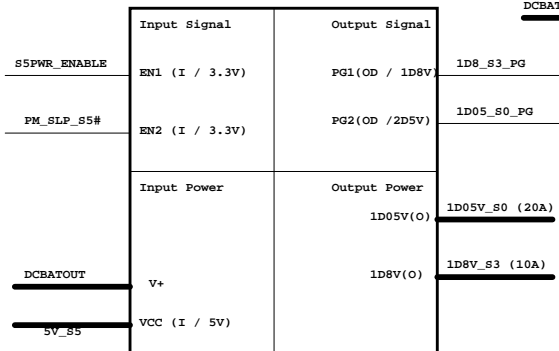
3.3V/5V
TI TPS51120



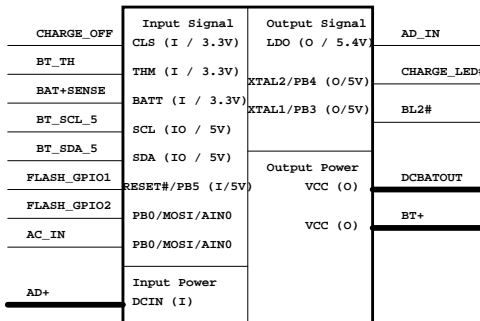
TPS51117 *2 for VGA 1.2 V / 1.15V and 1D8V .



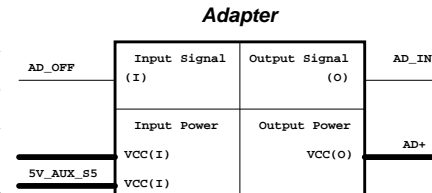
1D8V/1D05V
TI TPS51124



Charger_Max8725



AD_JK

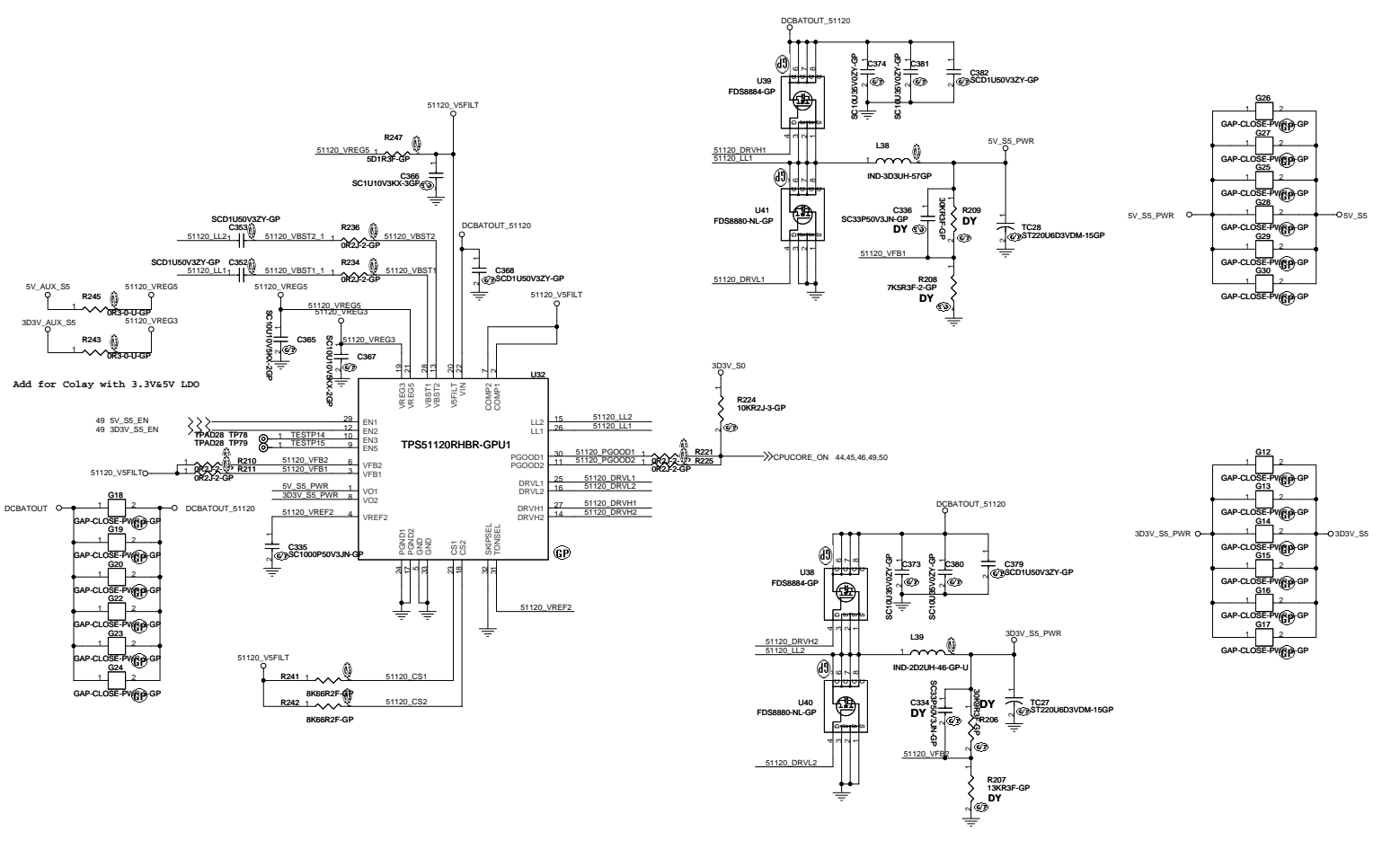


緯創資通 **Wistron Corporation**
21F, 88, Sec.1, Hsin Tai Wu Rd., Hsinchu, Taipei Hsien 221, Taiwan, R.O.C.

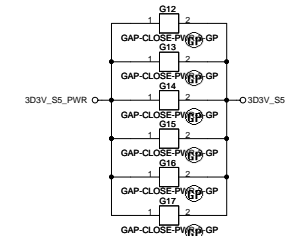
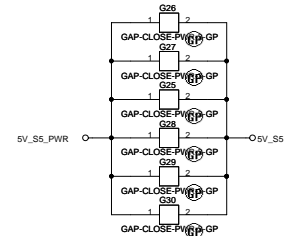
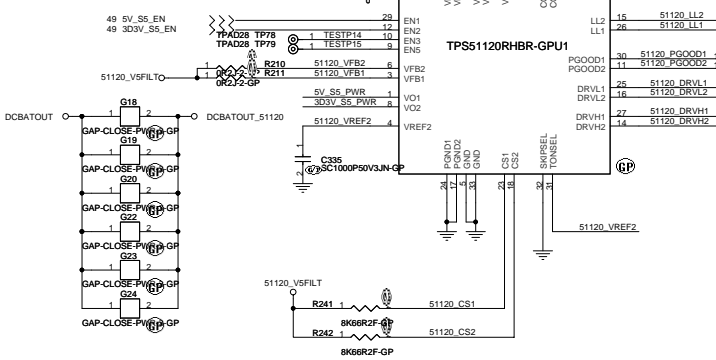
Title: **Power Block Diagram**

Size: K3 Document Number: **LT11** Rev: **SC**

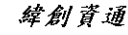
Date: Tuesday, September 25, 2007 Sheet: 42 of 53

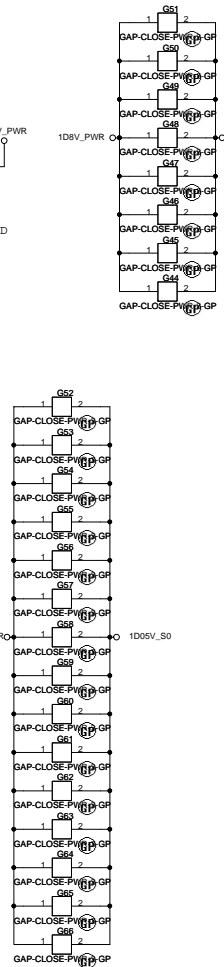
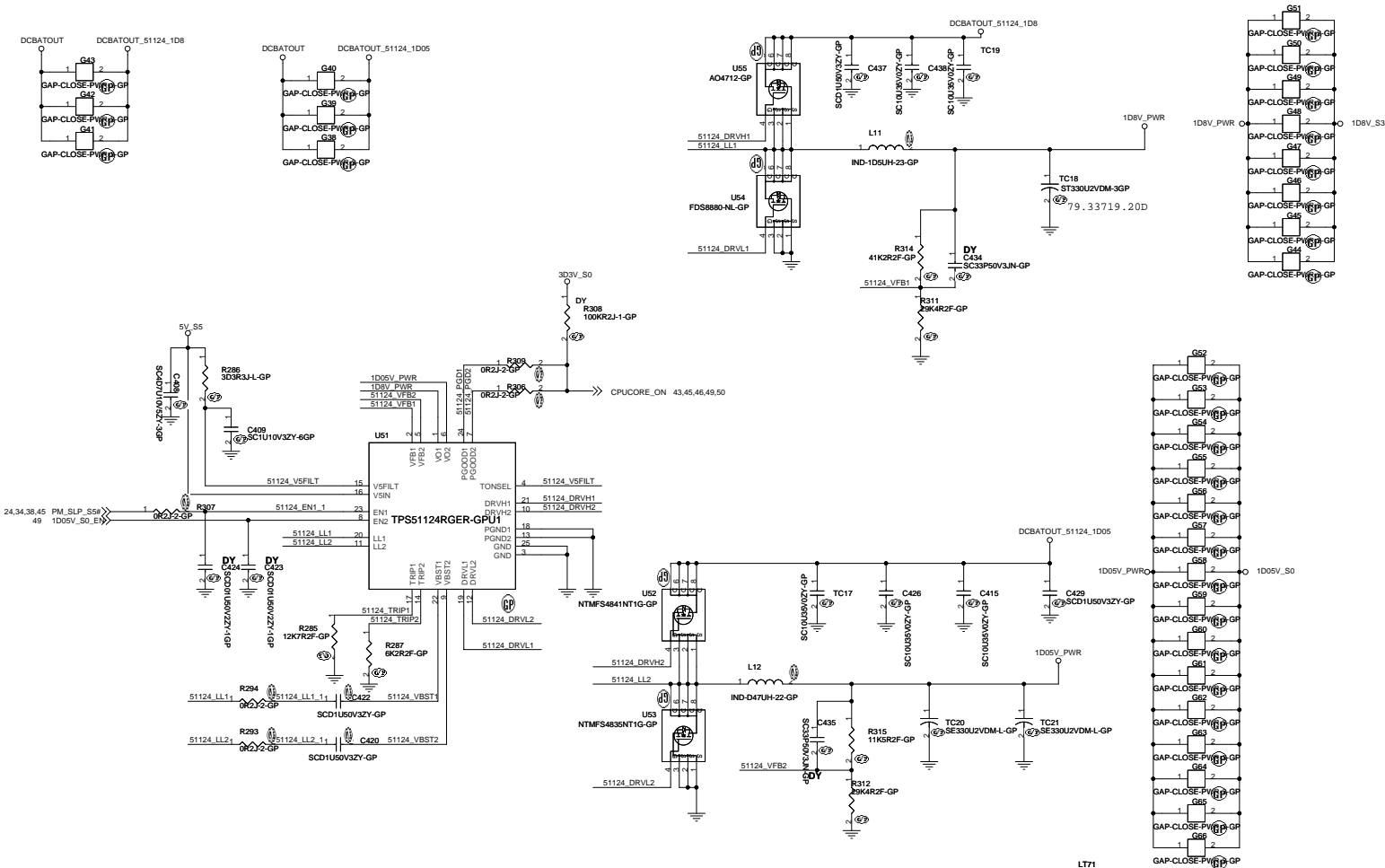


Add for Colay with 3.3V&5V LDO



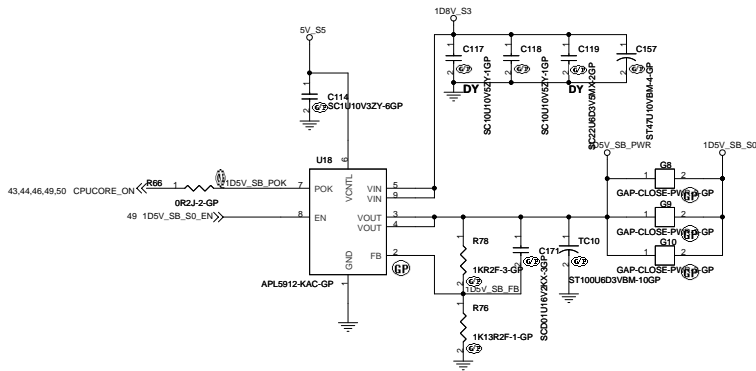
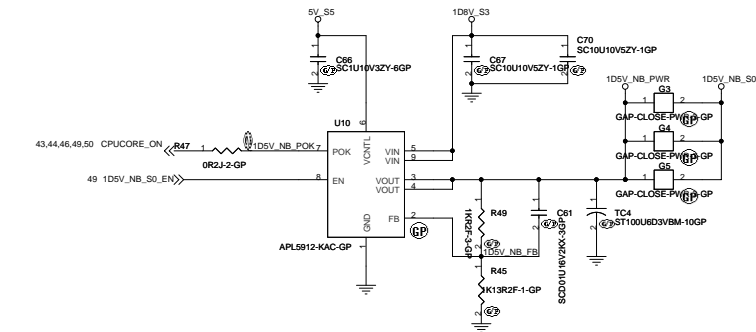
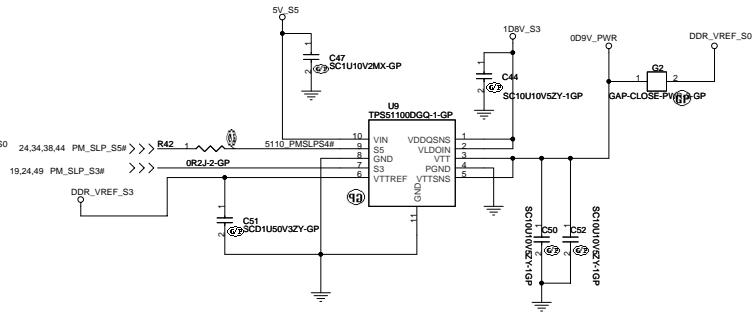
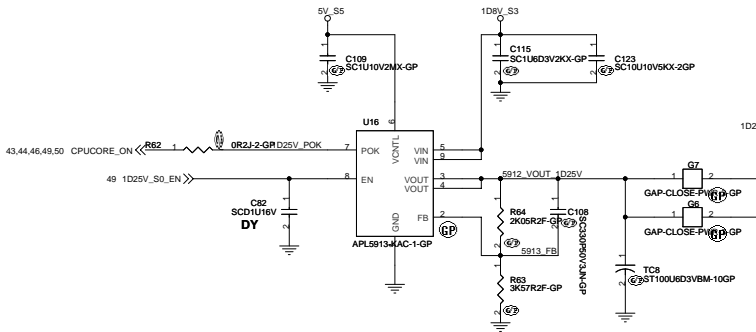
LT71

 Wistron Corporation 21F, 88, Sec. 1, Hsin Tai Wu Rd., Hsinchu, Taipei Hsien 221, Taiwan, R.O.C.	
TPS51120 5V / 3D3V	
File	LT71
Size	Document Number
A3	LT71
Date	Tuesday, September 25, 2007
Sheet	43 of 53



LT71

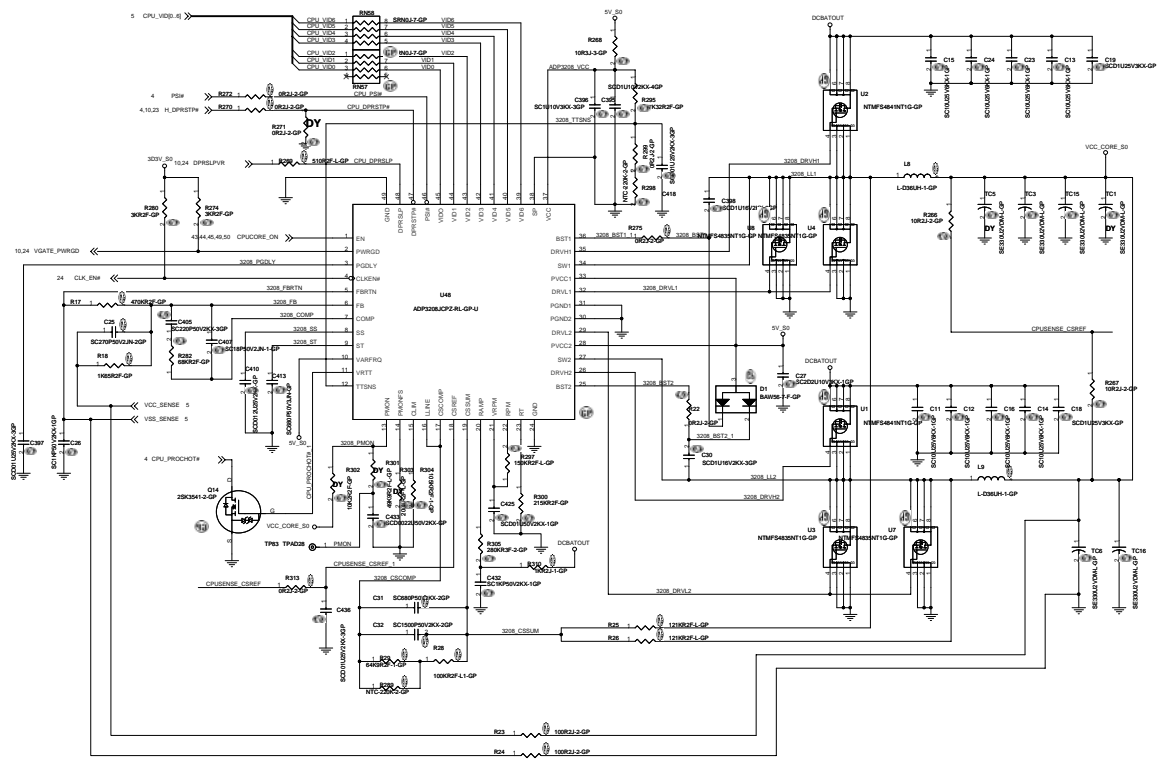

Wistron Corporation
 21F, 88, Sec.1, Hsin Tai Wu Rd., Hsinchu,
 Taipei Hsien 221, Taiwan, R.O.C.

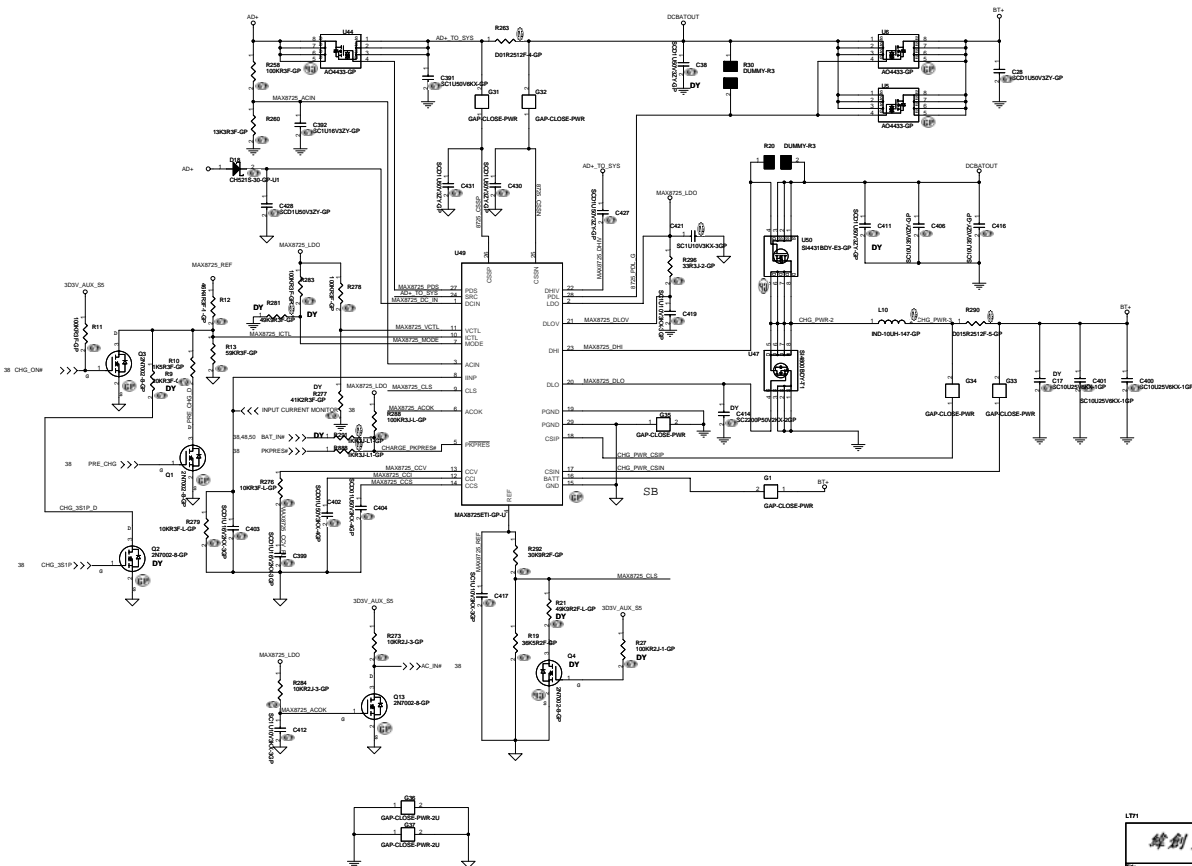


LT71

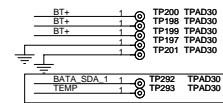
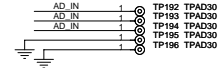
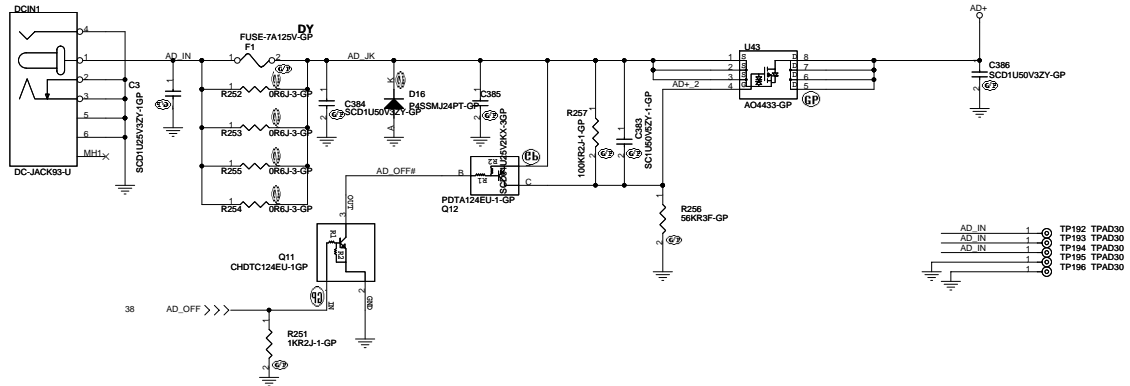
緯創資通 Wistron Corporation
21F, 88, Sec.1, Hsin Tai Wu Rd., Hsinchu,
Taipai Hsien 221, Taiwan, R.O.C.

Title		
LDO 0D9V / 1D25V_S0 / 1D5V_S0		
Size	Document Number	Rev
A3	LT71	SC
Date:	Tuesday, September 25, 2007	Sheet 45 of 53

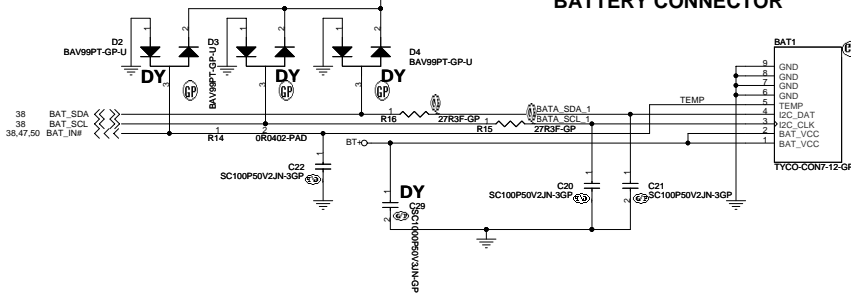




Adaptor in to generate DCBATOUT

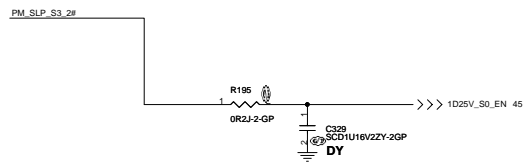
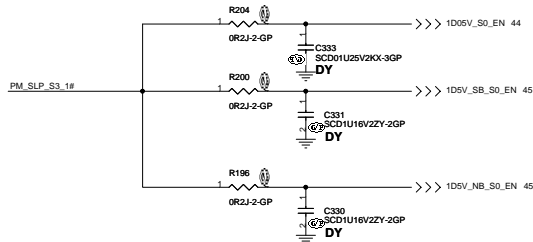
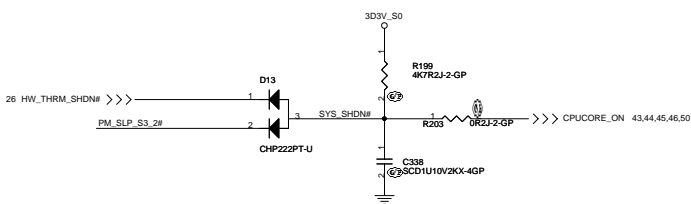
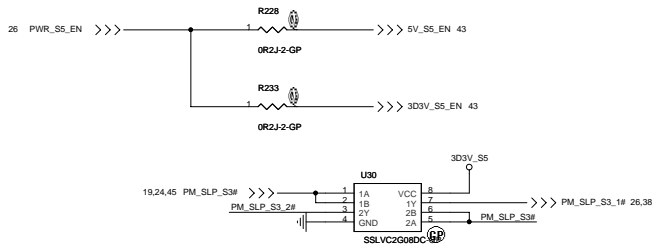


BATTERY CONNECTOR

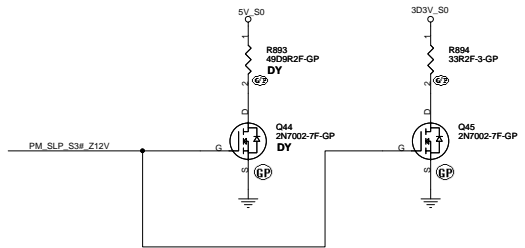
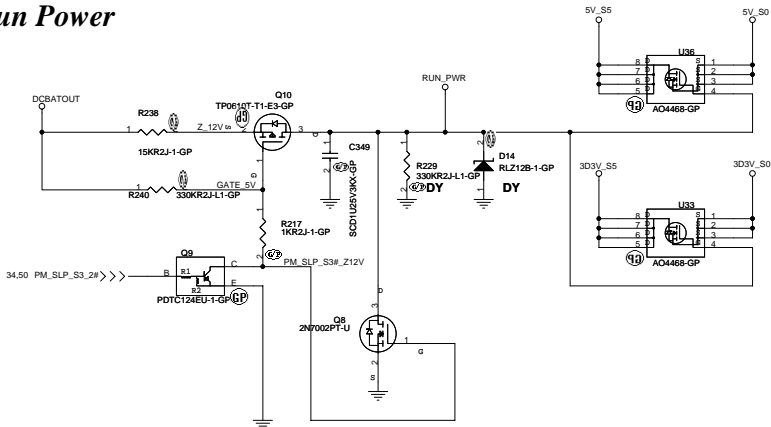


LT71

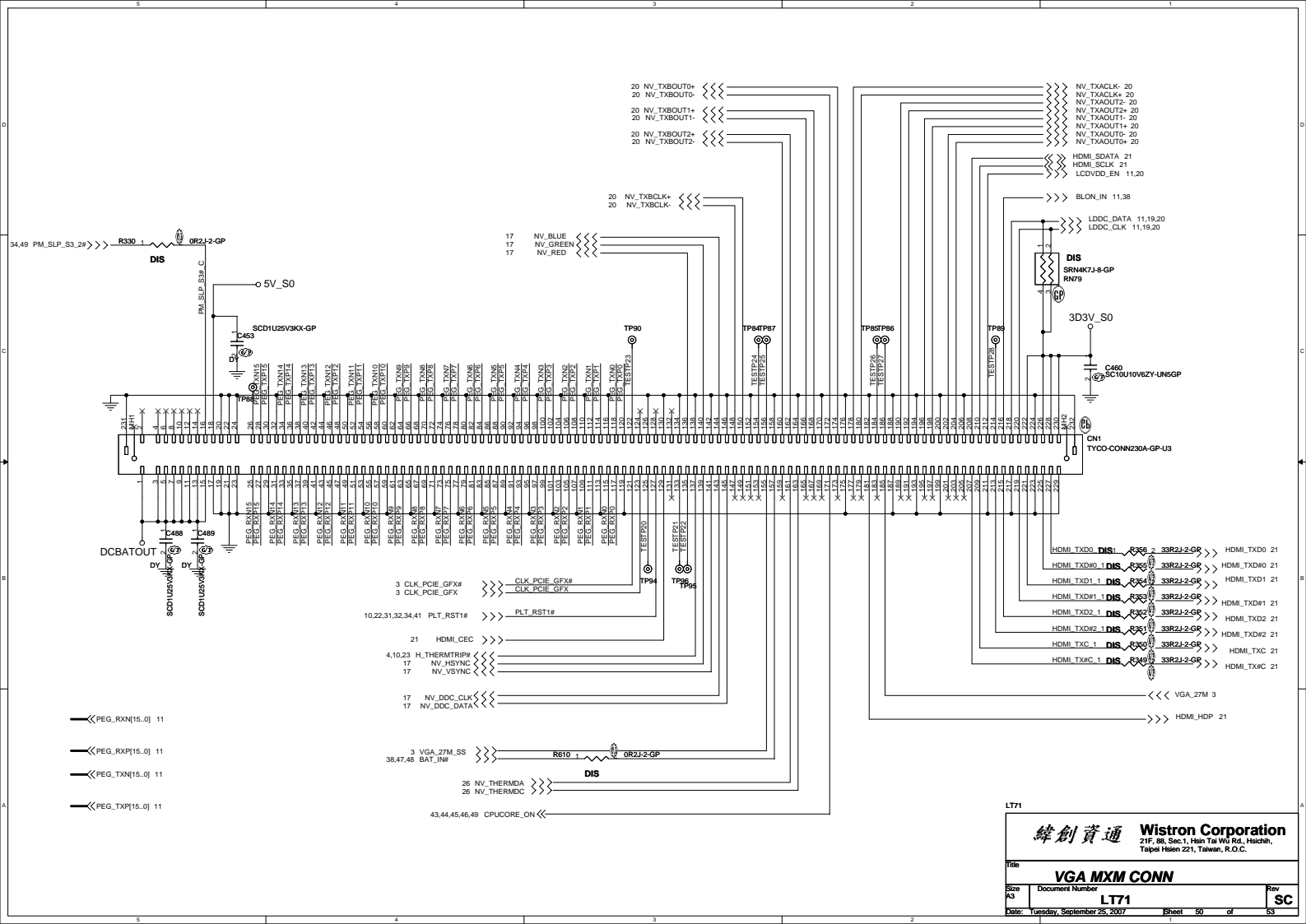
緯創資通 Wistron Corporation
21F, 88, Sec.1, Hsin Tai Wu Rd., Hsinchu, Taipei Hsien 221, Taiwan, R.O.C.



Run Power



LT71



- 20 NV_TXBOUT0- <<<<
- 20 NV_TXBOUT0+ <<<<
- 20 NV_TXBOUT1+ <<<<
- 20 NV_TXBOUT1- <<<<
- 20 NV_TXBOUT2+ <<<<
- 20 NV_TXBOUT2- <<<<
- 20 NV_TXBCLK+ <<<<
- 20 NV_TXBCLK- <<<<
- 17 NV_BLUE <<<<
- 17 NV_GREEN <<<<
- 17 NV_RED <<<<
- 20 NV_TXACLK- 20 <<<<
- 20 NV_TXACLK+ 20 <<<<
- 20 NV_TXAOUT2+ 20 <<<<
- 20 NV_TXAOUT2- 20 <<<<
- 20 NV_TXAOUT1+ 20 <<<<
- 20 NV_TXAOUT1- 20 <<<<
- 20 NV_TXAOUT0+ 20 <<<<
- 20 NV_TXAOUT0- 20 <<<<
- HDMI_SDATA 21 <<<<
- HDMI_SCLK 21 <<<<
- LCDVDD_EN 11,20 <<<<
- BLON_IN 11,38 <<<<
- LDDC_DATA 11,19,20 <<<<
- LDDC_CLK 11,19,20 <<<<

- 3 CLK_PCIE_GFX# <<<<
- 3 CLK_PCIE_GFX <<<<
- 3 CLK_PCIE_GFX# <<<<
- 3 CLK_PCIE_GFX <<<<
- 21 HDMI_CEC <<<<
- 4,10,23 H_THERMTRIP# <<<<
- 17 NV_HSVINC <<<<
- 17 NV_VSVINC <<<<
- 17 NV_DDC_CLK <<<<
- 17 NV_DDC_DATA <<<<
- 3 VGA_27M_SS <<<<
- 38,47,48 BAT_IN# <<<<
- 26 NV_THERMDA <<<<
- 26 NV_THERMDC <<<<
- 43,44,45,46,49 CPUCORE_ON <<<<

LT71

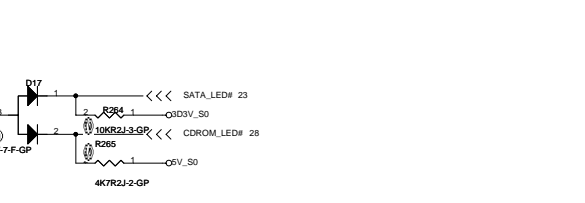
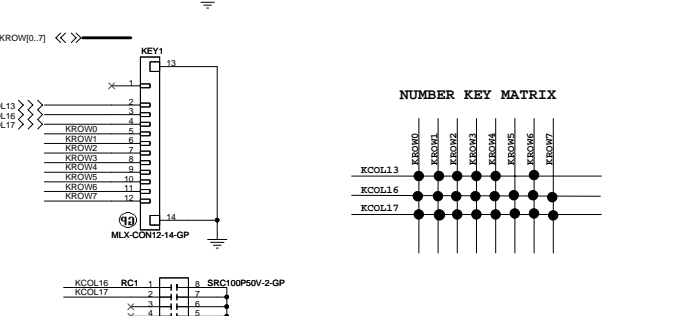
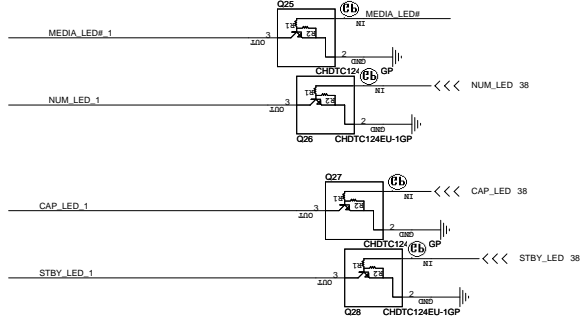
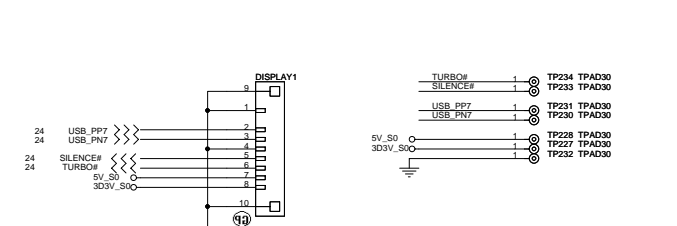
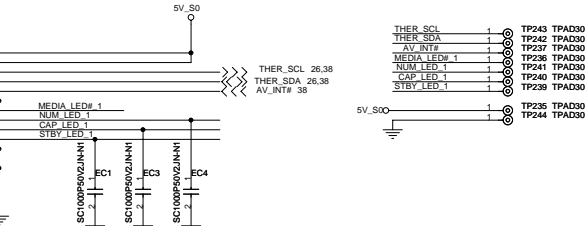
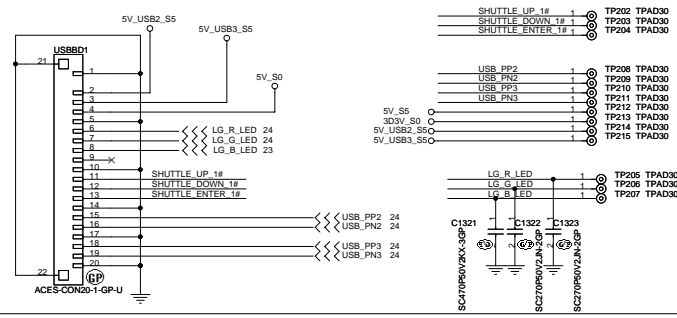
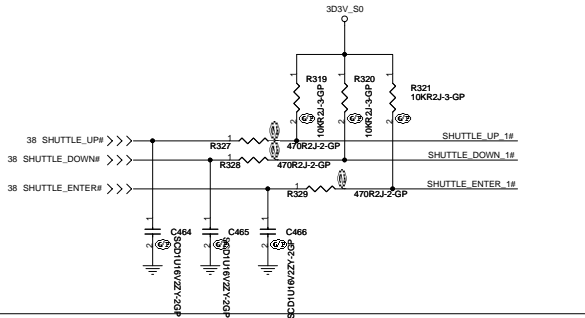
緯創資通 Wistron Corporation
21F, 88, Sec.1, Hsin Tai Wu Rd., Hsinchu, Taipei Hsien 221, Taiwan, R.O.C.

Title: **VGA MXM CONN**

Size: Document Number

Rev: **SC**

Date: Tuesday, September 25, 2007 Sheet 50 of 53



TPAD30	TP216	1	KROW0
TPAD30	TP217	1	KROW1
TPAD30	TP219	1	KROW2
TPAD30	TP218	1	KROW3
TPAD30	TP223	1	KROW4
TPAD30	TP222	1	KROW5
TPAD30	TP221	1	KROW6
TPAD30	TP220	1	KROW7
TPAD30	TP226	1	KCOL13
TPAD30	TP224	1	KCOL16
TPAD30	TP225	1	KCOL17

LT71

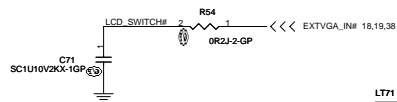
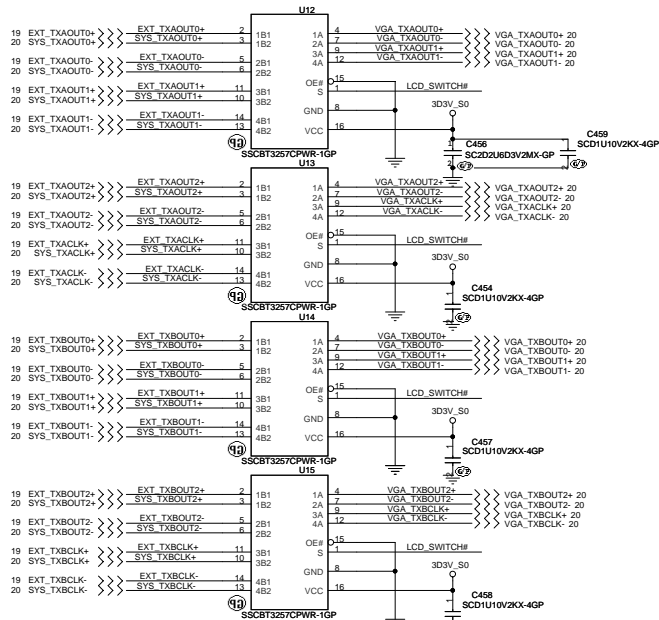
緯創資通 **Wistron Corporation**
21F, 88, Sec. 1, Hsin Tai Wu Rd., Hsinchu, Taipei Hsien 221, Taiwan, R.O.C.

Title: **SMALL BD CONN**

Size: Document Number

Rev: **SC**

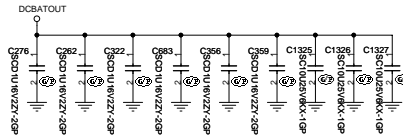
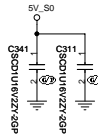
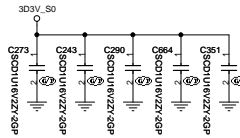
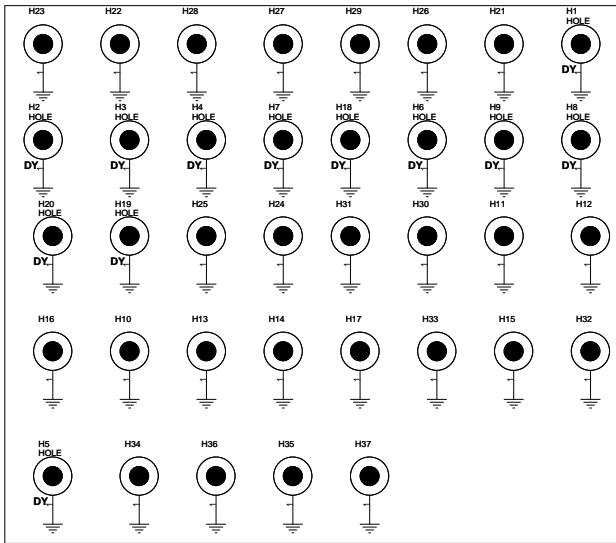
Date: Tuesday, September 25, 2007 Sheet 51 of 53



LT71

緯創資通 Wistron Corporation
 21F, 88, Sec.1, Hsin Tai Wu Rd., Hsinchu, Taipei Hsien 221, Taiwan, R.O.C.

Title		VGA SWITCH	
Size	Document Number	Rev	SC
LT71			
Date:	Tuesday, September 25, 2007	Sheet	52 of 53



LT71

<p style="text-align: center;">緯創資通 Wistron Corporation 21F, 88, Sec.1, Hsin Tai Wu Rd., Hsinchu, Taipei Hsien 221, Taiwan, R.O.C.</p>		Rev	SC
		<p style="text-align: center;">Holes</p>	
Title	<p style="text-align: center;">Holes</p>		
Size	Document Number	Rev	SC
Date:	LT71		
Tuesday, September 25, 2007		Sheet	53 of 53