

SAMSUNG PROPRIETARY

THIS DOCUMENT CONTAINS CONFIDENTIAL
 PROPRIETARY INFORMATION THAT IS
 SAMSUNG ELECTRONICS CO.'S PROPERTY.
 DO NOT DISCLOSE TO OR DUPLICATE FOR OTHERS
 EXCEPT AS AUTHORIZED BY SAMSUNG.

OSLO2

CPU : Intel Penryn-6M (1067/800) MHz
 Chip Set : Intel Cantiga & ICH9M
 Remarks : Montevina Platform

Model Name : Oslo2_DDR3
 PBA Name : MAIN
 PCB Code : BA41-00866A
 BA41-00867A
 Dev. Step : MP
 Revision : 1.1
 T.R. Date : 2008. 05.15

DRAW	CHECK	APPROVAL
MS YANG TH LEE	TH LEE	MK KIM

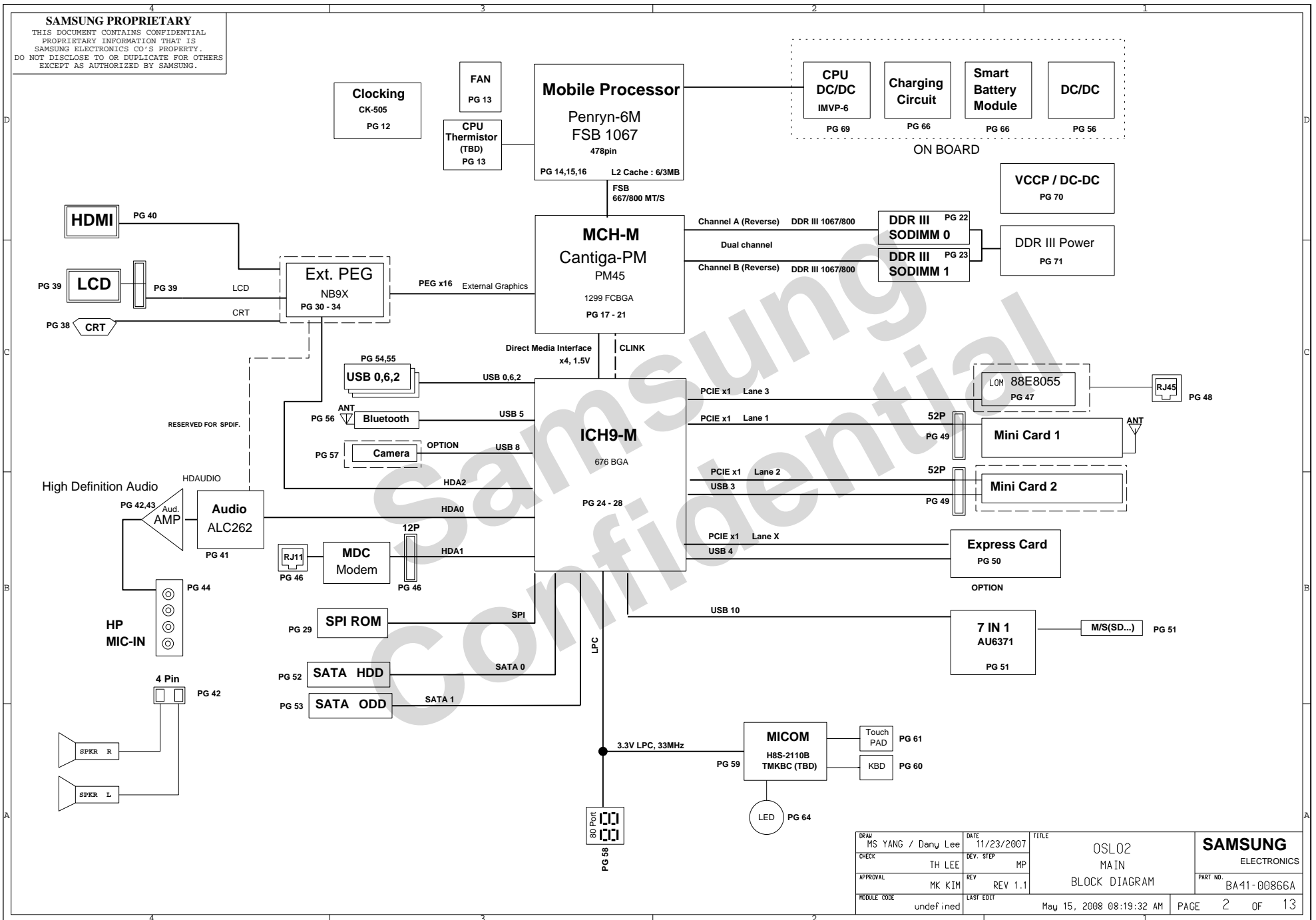
■ Owner : SEC Mobile R & D Signature : X

Sheet 1. Cover
 Sheet 2-7. Diagram (Block/Power) & Annotations
 Sheet 8. CPU,MCH/DDR3, CLK, THERMAL BLOCK
 Sheet 9. ICH,PERIPHERALS BLOCK
 Sheet 10. GFX, LAN, AUDIO&MODEM BLOCK
 Sheet 11. POWER DC/DC BLOCK
 Sheet 12. Clock Generator -CK505
 Sheet 13. Thermal Sensor & FAN
 Sheet 14-16. Penryn-6M CPU
 Sheet 17-21. Cantiga-GMCH
 Sheet 22. DDR3 SODIMM A
 Sheet 23. DDR3 SODIMM B
 Sheet 24-28. ICH9-M
 Sheet 29. SPI ROM & Debug Connector
 Sheet 30-34. GFx_External_NB9X
 Sheet 35-37. Graphics_Memory
 Sheet 38-40. Graphic Interface
 Sheet 41-45. High Definition Audio (ALC262 REV-C)
 Sheet 46. HDA_Modem
 Sheet 47-48. LAN_Marvell_8055
 Sheet 49. PCIE_Minicard_Slot
 Sheet 50. Express_Card
 Sheet 51. Multi_MV_AU6372
 Sheet 52. HDD_IF_Conn
 Sheet 53. ODD_IF_Conn
 Sheet 54. USB_1Port
 Sheet 55. USB_2Port
 Sheet 56. Bluetooth_IF
 Sheet 57. Camera_IF
 Sheet 58. Debug_Port
 Sheet 59. MICOM_Renesas2110
 Sheet 60. KBD_IF
 Sheet 61. Touchpad_IF
 Sheet 62. PWR_Switchbutton
 Sheet 63. MIO_Switch
 Sheet 64. LED_Switch
 Sheet 65. LID_Switch
 Sheet 66. PWR_MV_Charger
 Sheet 67. PWR_MV_3V_5V
 Sheet 68. PWR_MV_Switched
 Sheet 69. PWR_CPU_MV_SC452
 Sheet 70. PWR_MV_Cantiga
 Sheet 71. PWR_MV_Memory
 Sheet 72-73. PWR_GFX_MV_Ext
 Sheet 74. PWR_MV_DisCharger

DRW MS YANG / Dany Lee	DATE 11/23/2007	TITLE	OSLO2 MAIN COVER	SAMSUNG ELECTRONICS
CHECK TH LEE	DEV. STEP MP	REV REV 1.1		
APPROVAL MK KIM	REV REV 1.1	LAST EDIT	PART NO. BA41-00866A	
MODULE CODE	LAST EDIT	May 15, 2008 08:19:32 AM	PAGE 1 OF 13	

SAMSUNG PROPRIETARY

THIS DOCUMENT CONTAINS CONFIDENTIAL PROPRIETARY INFORMATION THAT IS SAMSUNG ELECTRONICS CO.'S PROPERTY. DO NOT DISCLOSE TO OR DUPLICATE FOR OTHERS EXCEPT AS AUTHORIZED BY SAMSUNG.



DRAW MS YANG / Dany Lee	DATE 11/23/2007	TITLE OSLO2 MAIN	SAMSUNG ELECTRONICS
CHECK TH LEE	DEV. STEP MP	BLOCK DIAGRAM	
APPROVAL MK KIM	REV REV 1.1	PART NO. BA11-00866A	
MODULE CODE undefined	LAST EDIT	May 15, 2008 08:19:32 AM	PAGE 2 OF 13

SAMSUNG PROPRIETARY

THIS DOCUMENT CONTAINS CONFIDENTIAL
 PROPRIETARY INFORMATION THAT IS
 SAMSUNG ELECTRONICS CO.'S PROPERTY.
 DO NOT DISCLOSE TO OR DUPLICATE FOR OTHERS
 EXCEPT AS AUTHORIZED BY SAMSUNG.

BOARD INFORMATION**SCHEMATIC ANNOTATIONS AND BOARD INFORMATION****PCI Devices**

Devices	IDSEL#	REQ/GNT#	Interrupts
Cardbus	AD25	3	A, B, C
USB	AD29(internal)	-	USB2.0 #0 (USB0) : A USB2.0 #1 (USB1) : D USB2.0 #2 (USB4) : C USB2.0 #3 (USB5) : E USB2.0 #4 (EHCI) : H
Hub to PCI	AD30(internal)	-	-
LPC bridge/IDE/AC97/SMBUS	AD31(internal)	-	B
Internal MAC	AD24(internal)	-	E
AC Link	-	-	B
GLAN	-	-	F

Voltage Rails

VDC	Primary DC system power supply (7 to 21V)
VCC_CORE	Core Voltage for CPU
GFX_CORE	Core Voltage for GPU
P1.05V_VCCP1	VTT for CPU, Crestline & ICH9-M
P3.3V_MICOM	3.3V always power rail (for Micom)
P1.8V	1.8V switched power rail (off in S3-S5)
P1.5V	1.5V switched power rail (off in S3-S5)
P1.5V_AUX	1.5V power rail for DDR (off in S4-S5)
P0.75V	0.75V power rail for DDR (off in S3-S5)
P3.3V	3.3V switched power rail (off in S3-S5)
P3.3V_AUX	3.3V switched on power rail (off in S4-S5)
P5.0V	5.0V switched power rail (off in S3-S5)
P5.0V_AUX	5.0V switched on power rail (off in S4-S5)
P5.0V_ALW	5.0V always power rail

Crystal / Oscillator

TYPE	FREQUENCY	DEVICE	USAGE
Crystal	32.768KHz	ICH9-M	Real Time Clock
Crystal	10MHz	MICOM	HD64F2169/2160
Crystal	14.318MHz	CLOCK-Generator	CK-505
Crystal	25MHz	LAN	Marvell LAN (88E8850)
Crystal	12MHz	Multi Card Reader	Aikor AU6371

LCD Pannel Detect (EDID)

Devices	Resolution	PANNEL_DETECT_0

I²C / SMB Address

Devices	Address	Hex	Bus
ICH9-m	Master	-	SMBUS Master
SODIMM0	1010 000x	A0h	-
SODIMM1	1010 010x	A4h	-
Thermal Sensor on SODIMM0	0011 000x	30h	-
Thermal Sensor on SODIMM1	0011 010x	34h	-
CK-505M (Clock Generator)	1101 001x	D2h	Clock, Unused Clock Output Disable
MICOM	Master	-	SMBUS Master
Battery	0001011x	16h	Battery
CPU Thermal Sensor	0111 101x	7Ah	Thermal Sensor (EMC2012)

USB PORT Assign

PORT #	ASSIGNED TO
0	SYSTEM PORT 2
1	NC
2	SYSTEM PORT 1
3	Mini Card
4	Express Card
5	Bluetooth
6	SYSTEM PORT 2
7	NC
8	Camera
9	NC
10	Multi Card Reader (7-in-1)
11	NC

PCI Express Assign

PORT #	ASSIGNED TO
1	Mini Card 1 (WLAN)
2	Mini Card 2 (ROBSON or DVB-T)
3	Express Card
4	LOM
5	NC
6	NC

REVISION HISTORY

See rev notes for more information.

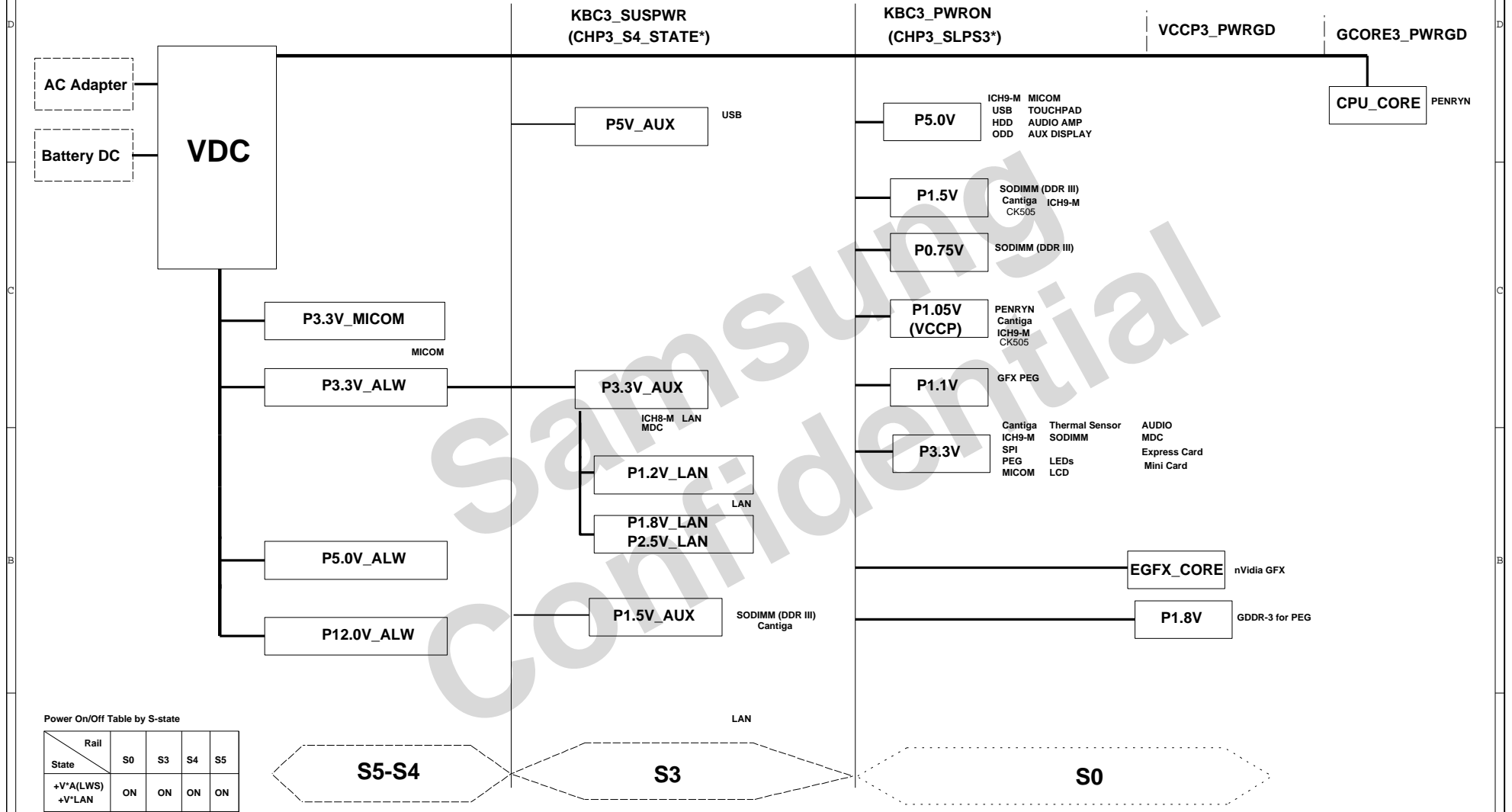
DRAW	DATE	TITLE	OSLO2 MAIN BOARD INFO	SAMSUNG ELECTRONICS
MS YANG / Dany Lee	11/23/2007			
CHECK	DEV. STEP	MP		
APPROVAL	REV	REV 1.1		PART NO. BA11-00866A
MODULE CODE	LAST EDIT	undefined	May 15, 2008 08:19:32 AM	PAGE 3 OF 13

SAMSUNG PROPRIETARY

THIS DOCUMENT CONTAINS CONFIDENTIAL PROPRIETARY INFORMATION THAT IS SAMSUNG ELECTRONICS CO.'S PROPERTY. DO NOT DISCLOSE TO OR DUPLICATE FOR OTHERS EXCEPT AS AUTHORIZED BY SAMSUNG.

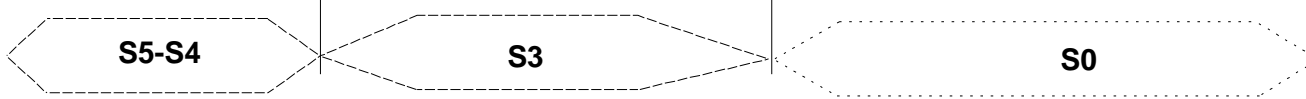
POWER DIAGRAM

Rev 0.1



Power On/Off Table by S-state

Rail State	S0	S3	S4	S5
+V*A(LWS) +V*LAN	ON	ON	ON	ON
+1.8V_AUX +0.9V	ON	ON	---	---
+V*AUX	ON	ON	---	---
+V	ON	---	---	---
+V* (CORE)	ON	---	---	---



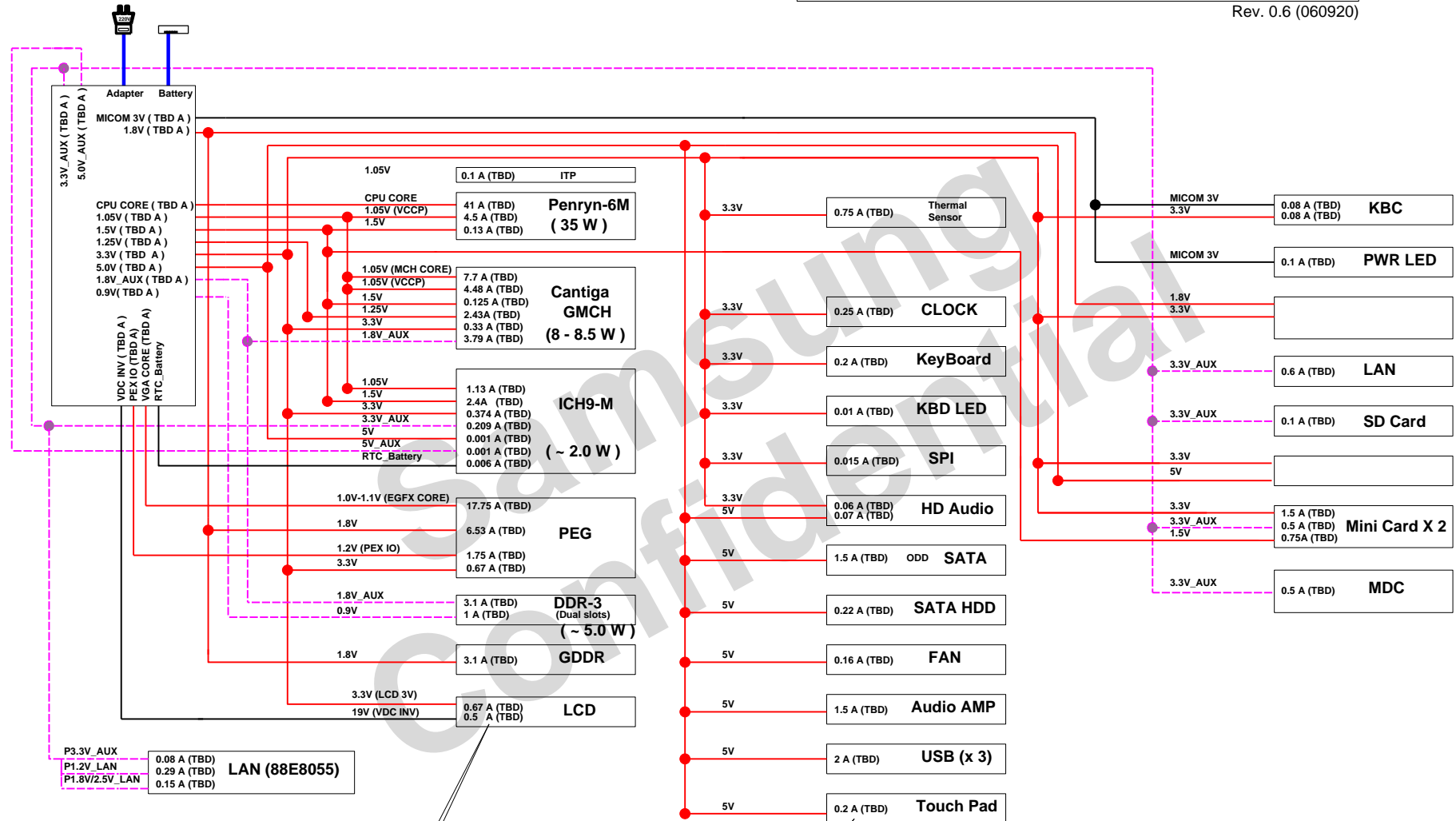
DRW MS YANG / Dany Lee	DATE 11/23/2007	TITLE OSLO2 MAIN	SAMSUNG ELECTRONICS
CHECK TH LEE	DEV. STEP MP	POWER DIAGRAM	
APPROVAL MK KIM	REV REV 1.1	PART NO. BA11-00866A	
MODULE CODE undefined	LAST EDIT	May 15, 2008 08:19:32 AM	PAGE 4 OF 13

SAMSUNG PROPRIETARY

THIS DOCUMENT CONTAINS CONFIDENTIAL PROPRIETARY INFORMATION THAT IS SAMSUNG ELECTRONICS CO.'S PROPERTY. DO NOT DISCLOSE TO OR DUPLICATE FOR OTHERS EXCEPT AS AUTHORIZED BY SAMSUNG.

POWER RAILS ANALYSIS

Rev. 0.6 (060920)



Value by Datasheet/Application notes (Value by measurement)

DRW MS YANG / Dany Lee	DATE 11/23/2007	TITLE OSLO2 MAIN	SAMSUNG ELECTRONICS
CHECK TH LEE	DEV. STEP MP	POWER RAILS	
APPROVAL MK KIM	REV REV 1.1	PART NO. BA11-00866A	
MODULE CODE undefined	LAST EDIT	May 15, 2008 08:19:32 AM	PAGE 5 OF 13

SAMSUNG PROPRIETARY

THIS DOCUMENT CONTAINS CONFIDENTIAL PROPRIETARY INFORMATION THAT IS SAMSUNG ELECTRONICS CO.'S PROPERTY. DO NOT DISCLOSE TO OR DUPLICATE FOR OTHERS EXCEPT AS AUTHORIZED BY SAMSUNG.

POWER SEQUENCE

Rev. 0.9

Host Boot / ME Off

(SLPS4* = S4_STATE*) > (SLPM* = SLPS3*)

M-1) KBC3_DDR_PWRON (TBD) = 8) KBC3_SUSPWR

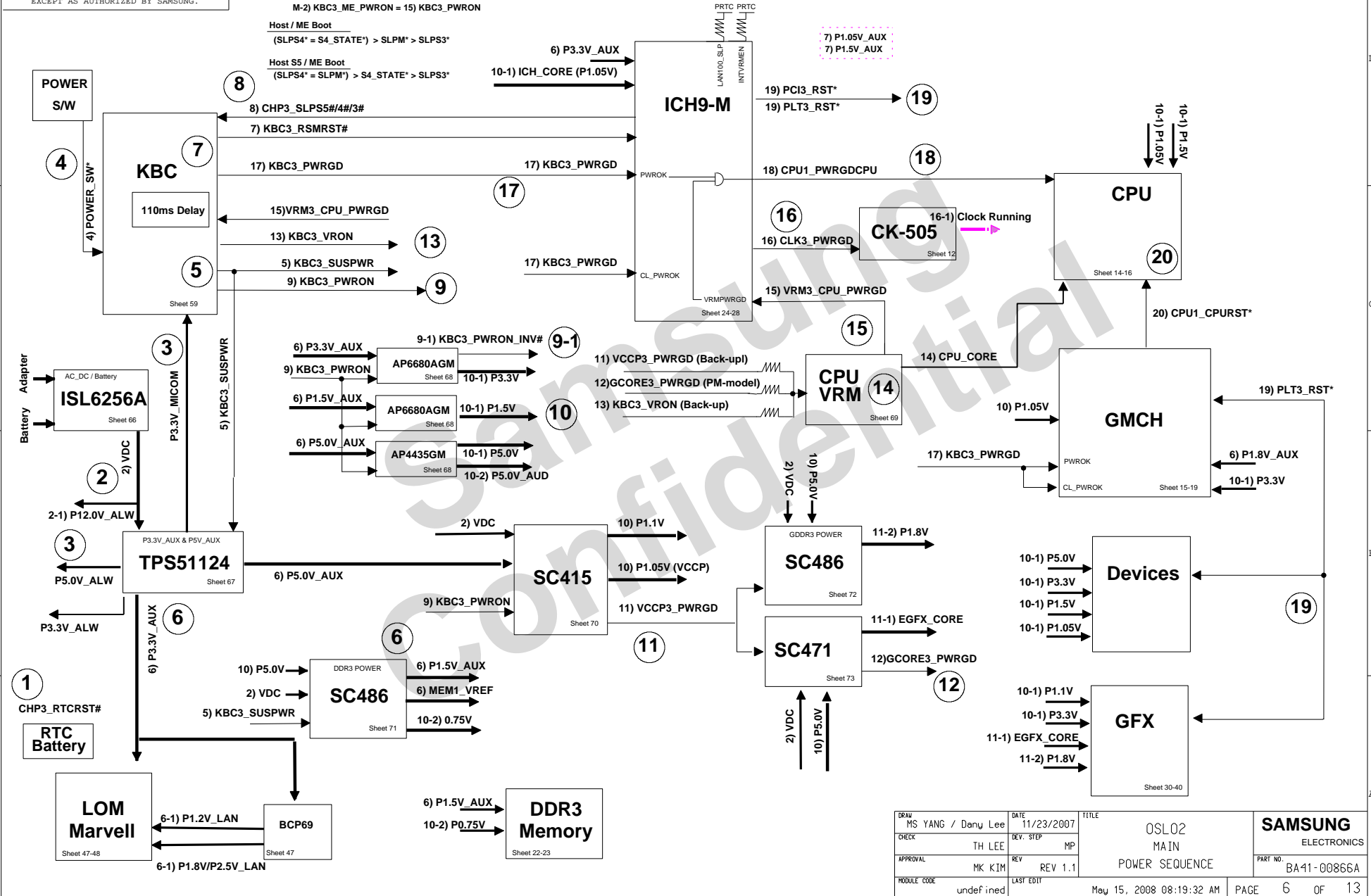
M-2) KBC3_ME_PWRON = 15) KBC3_PWRON

Host / ME Boot

(SLPS4* = S4_STATE*) > SLPM* > SLPS3*

Host S5 / ME Boot

(SLPS4* = SLPM*) > S4_STATE* > SLPS3*

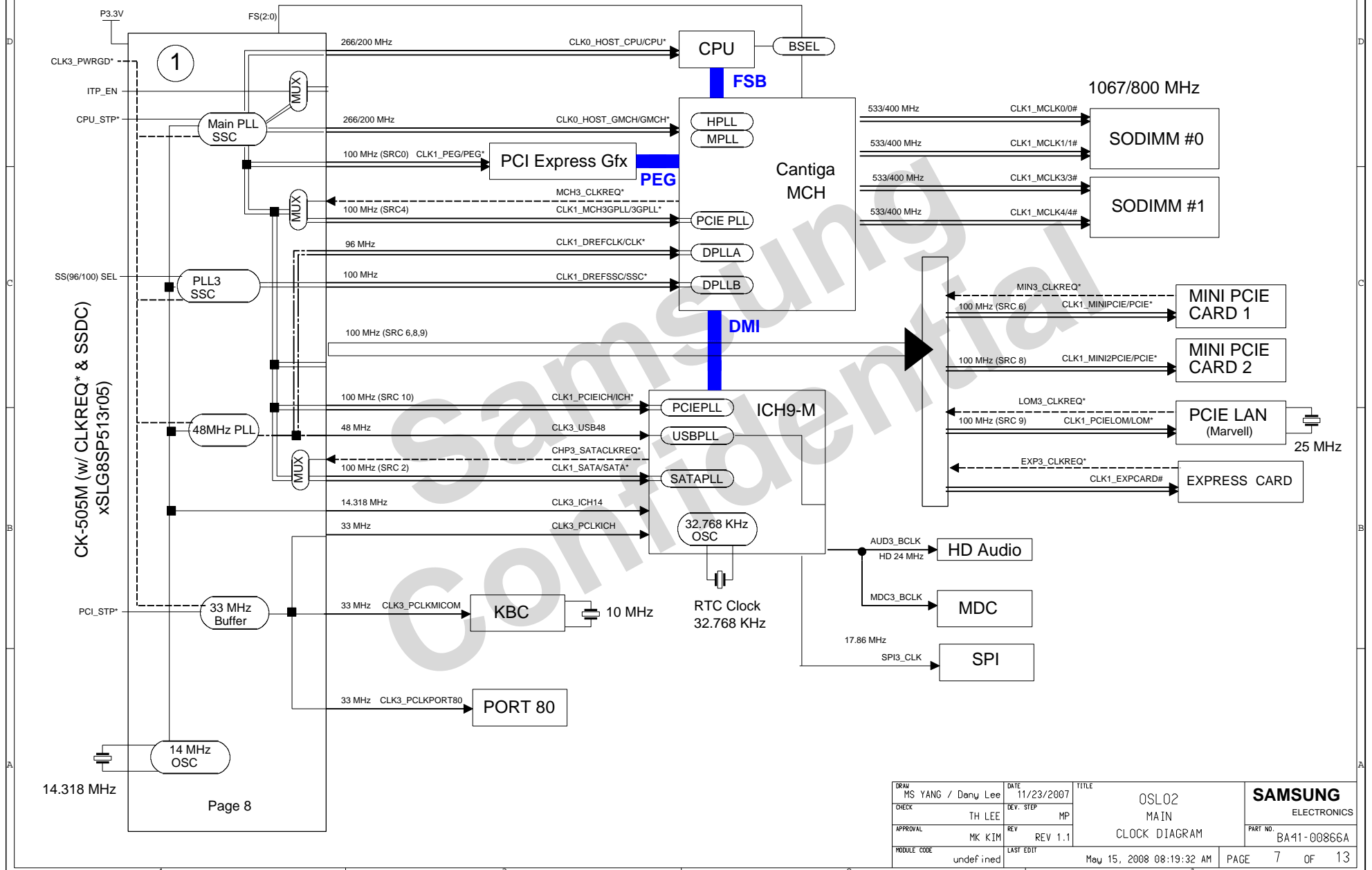


DRAW MS YANG / Dany Lee	DATE 11/23/2007	TITLE OSLO2 MAIN	SAMSUNG ELECTRONICS
CHECK TH LEE	DEV. STEP MP	POWER SEQUENCE	
APPROVAL MK KIM	REV REV 1.1		PART NO. BA11-00866A
MODULE CODE undefined	LAST EDIT	May 15, 2008 08:19:32 AM	PAGE 6 OF 13

SAMSUNG PROPRIETARY

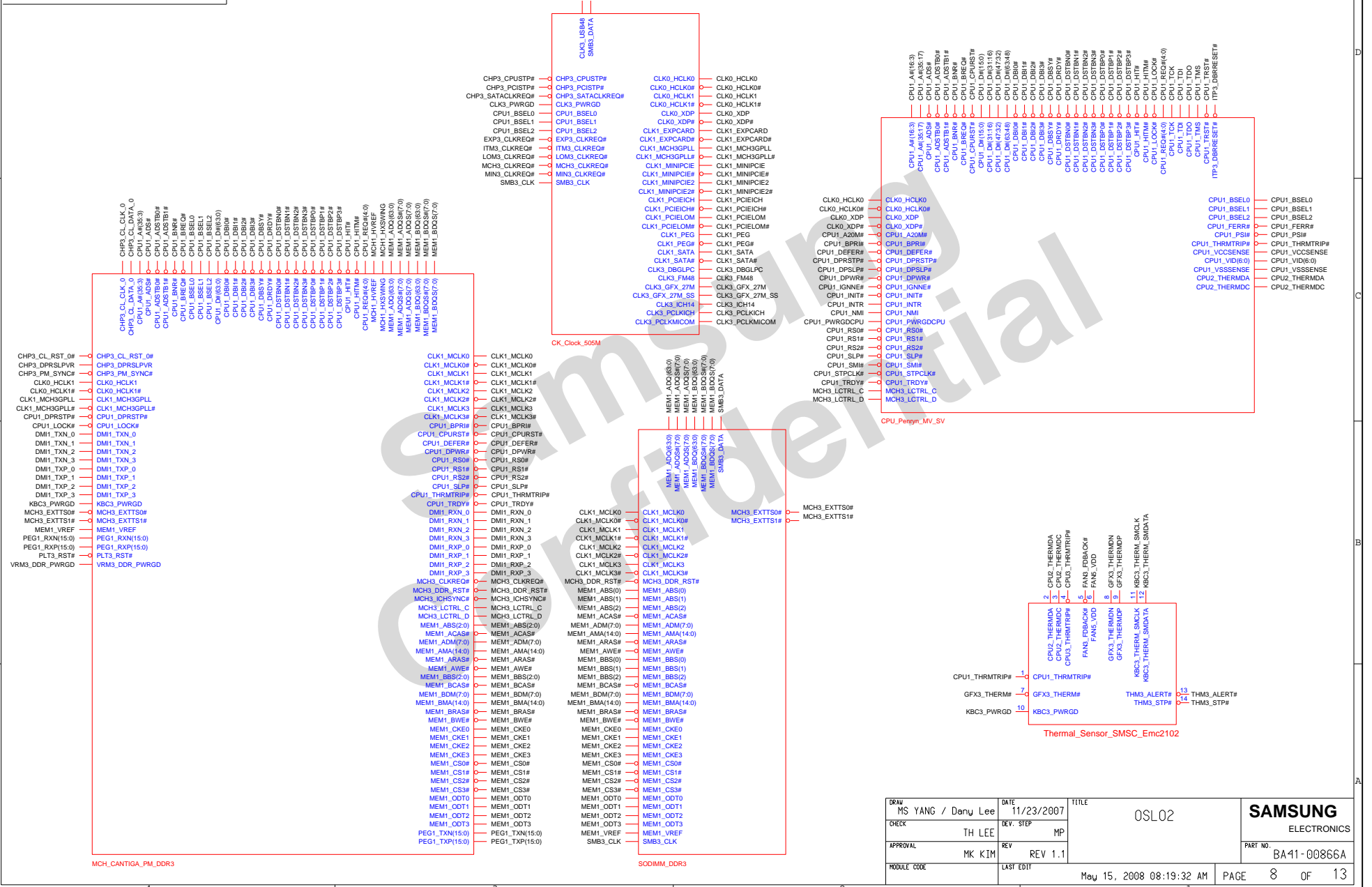
THIS DOCUMENT CONTAINS CONFIDENTIAL PROPRIETARY INFORMATION THAT IS SAMSUNG ELECTRONICS CO.'S PROPERTY. DO NOT DISCLOSE TO OR DUPLICATE FOR OTHERS EXCEPT AS AUTHORIZED BY SAMSUNG.

CLOCK DISTRIBUTION Rev. 0.1



SAMSUNG PROPRIETARY

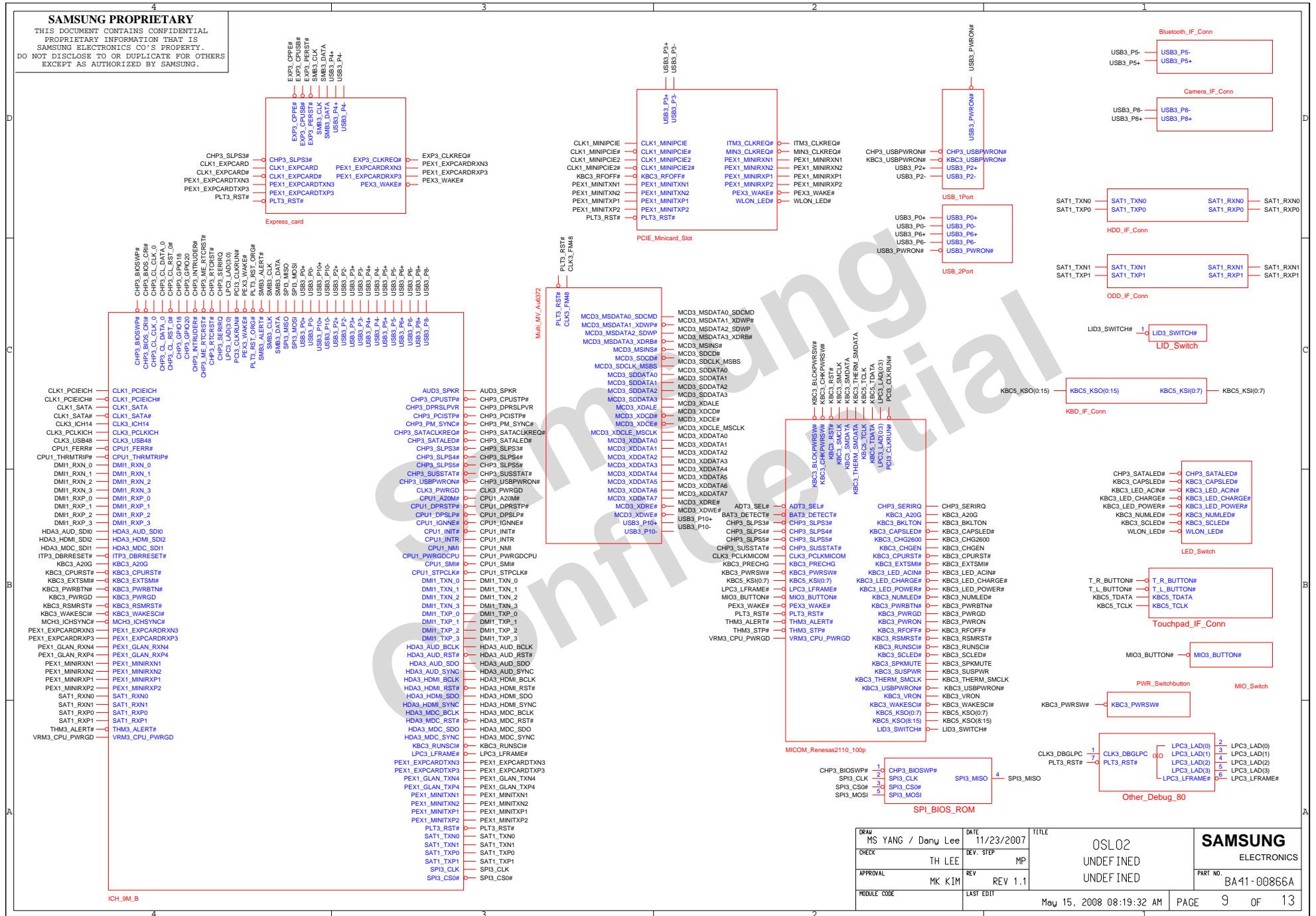
THIS DOCUMENT CONTAINS CONFIDENTIAL
 PROPRIETARY INFORMATION THAT IS
 SAMSUNG ELECTRONICS CO.'S PROPERTY.
 DO NOT DISCLOSE TO OR DUPLICATE FOR OTHERS
 EXCEPT AS AUTHORIZED BY SAMSUNG.



DRW	MS YANG / Dany Lee	DATE	11/23/2007	TITLE	OSLO2	SAMSUNG ELECTRONICS
CHECK		DEV. STEP				
APPROVAL	TH LEE	REV	MP			
MODULE CODE	MK KIM	REV	1.1			
		LAST EDIT			May 15, 2008 08:19:32 AM	PAGE 8 OF 13

SAMSUNG PROPRIETARY

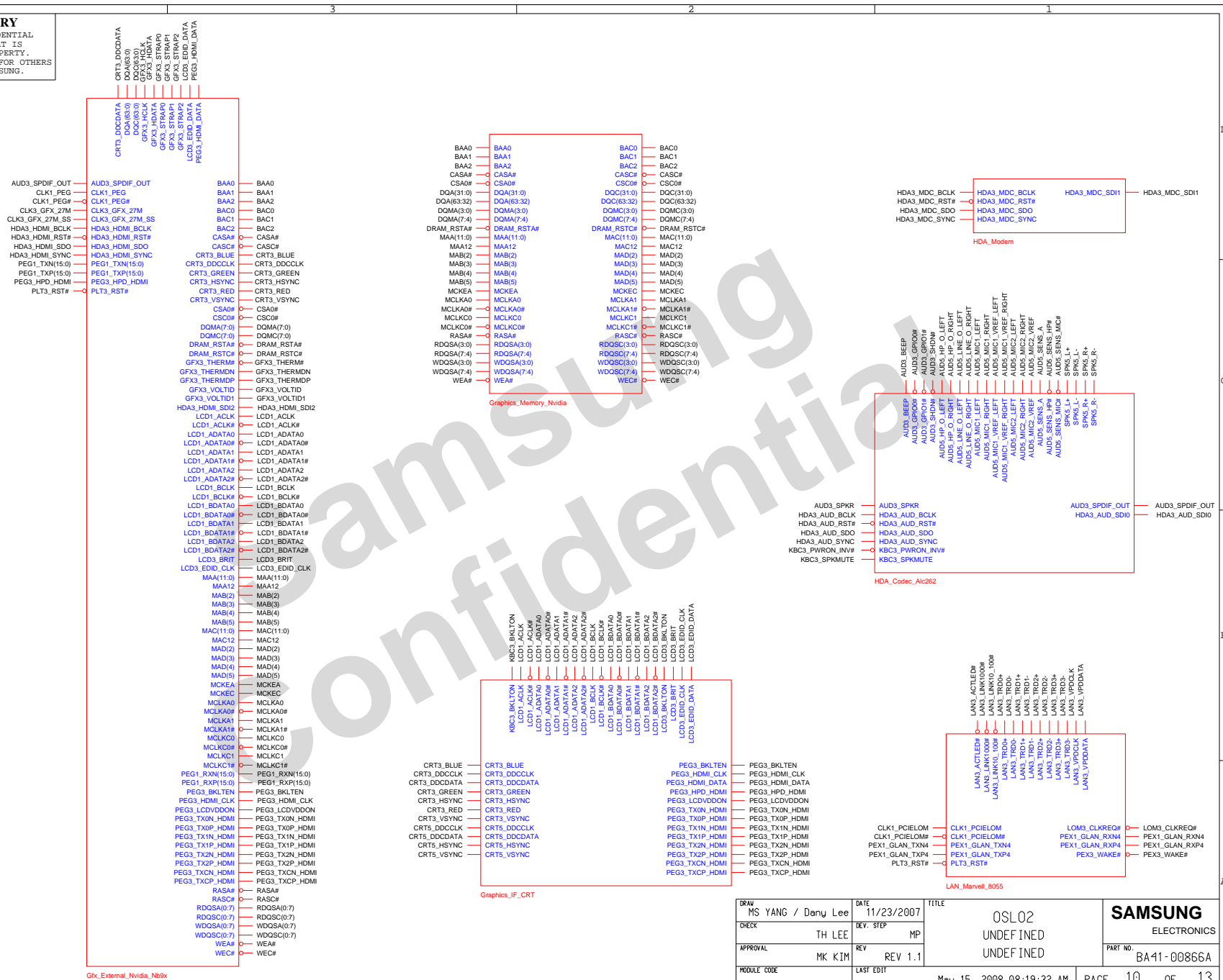
THIS DOCUMENT CONTAINS CONFIDENTIAL PROPRIETARY INFORMATION THAT IS SAMSUNG ELECTRONICS CO.'S PROPERTY. DO NOT DISCLOSE TO OR DUPLICATE FOR OTHERS EXCEPT AS AUTHORIZED BY SAMSUNG.



DRW	MS YANG / Dany Lee	DATE	11/23/2007	TITLE	OSL02	SAMSUNG ELECTRONICS
CHECK		DEV. STEP			UNDEFINED	
APPROVAL	MK KIM	REV	1.1		UNDEFINED	PART NO. BA41-00866A
MODULE CODE		LAST EDIT				May 15, 2008 08:19:32 AM PAGE 9 OF 13

SAMSUNG PROPRIETARY

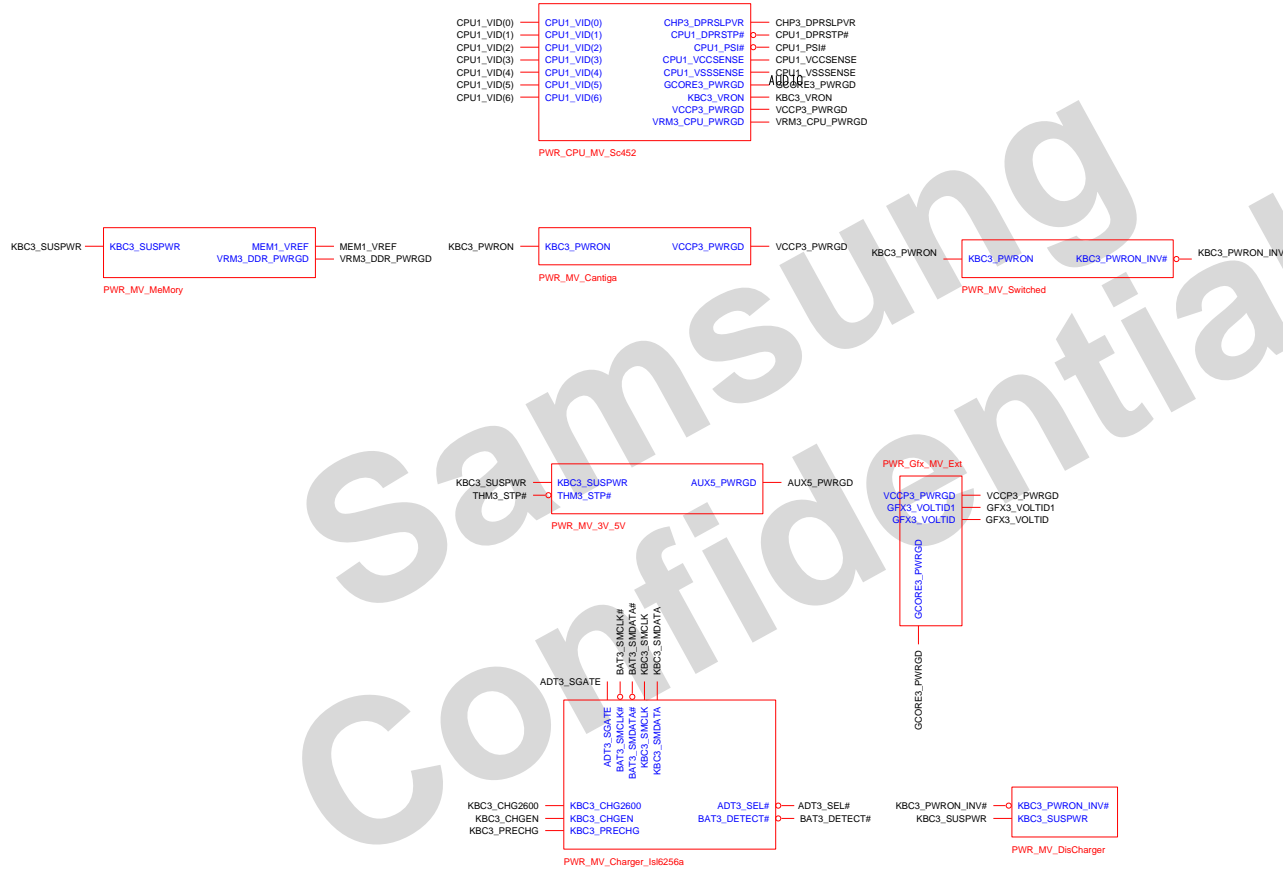
THIS DOCUMENT CONTAINS CONFIDENTIAL PROPRIETARY INFORMATION THAT IS SAMUNG ELECTRONICS CO.'S PROPERTY. DO NOT DISCLOSE TO OR DUPLICATE FOR OTHERS EXCEPT AS AUTHORIZED BY SAMSUNG.



DRAW	MS YANG / Dany Lee	DATE	11/23/2007	TITLE	OSL02	SAMSUNG ELECTRONICS
CHECK	TH LEE	DEV. STEP	MP	UNDEF INED	UNDEF INED	
APPROVAL	MK KIM	REV	REV 1.1	PEX1_GLAN_TXP4	PEX1_GLAN_RXP4	PART NO. BA41-00866A
MODULE CODE		LAST EDIT		PEX1_GLAN_TXP4	PEX3_WAKEN#	

SAMSUNG PROPRIETARY

THIS DOCUMENT CONTAINS CONFIDENTIAL
 PROPRIETARY INFORMATION THAT IS
 SAMSUNG ELECTRONICS CO.'S PROPERTY.
 DO NOT DISCLOSE TO OR DUPLICATE FOR OTHERS
 EXCEPT AS AUTHORIZED BY SAMSUNG.



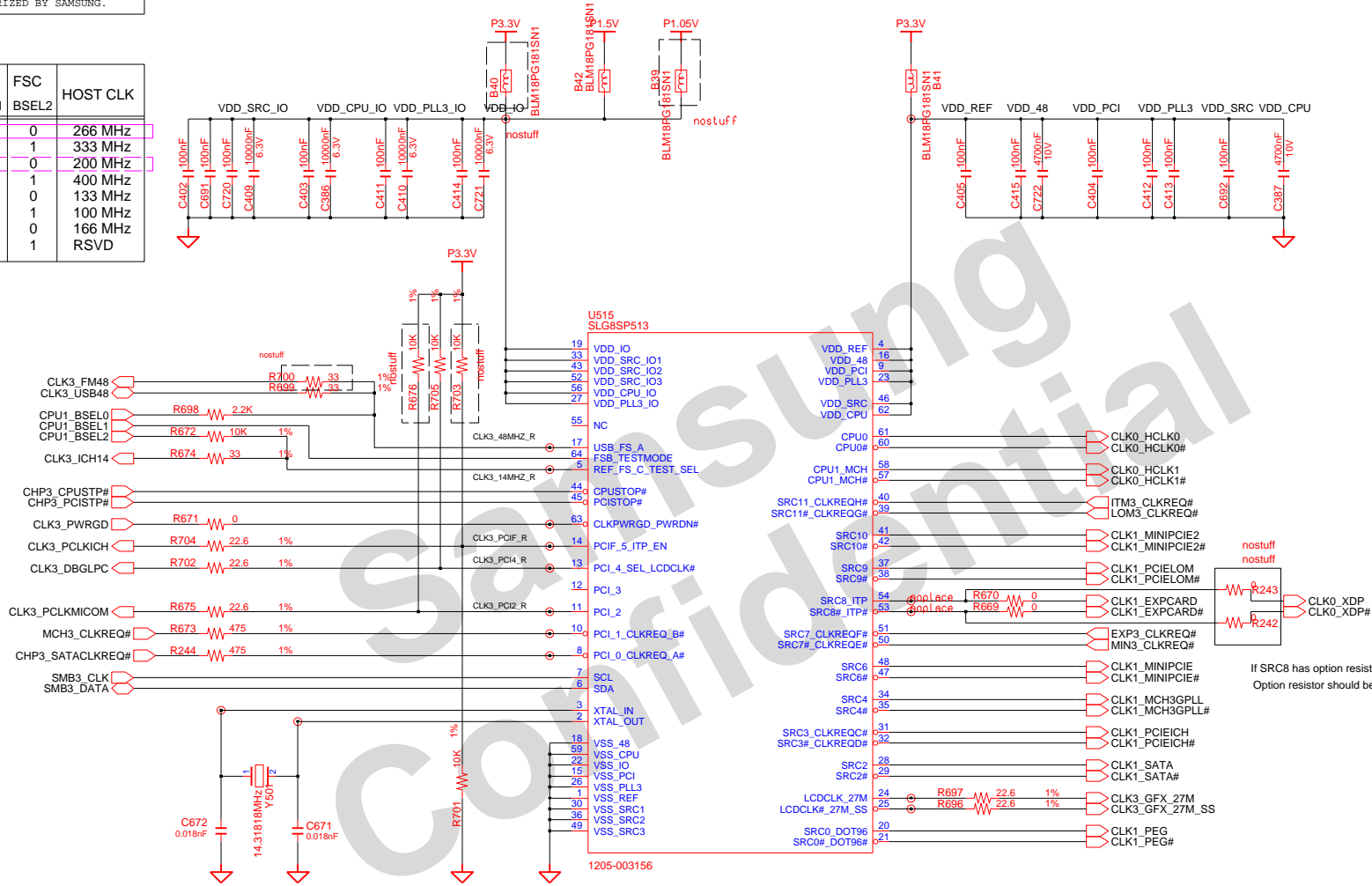
Samsung
Confidential

DRAW MS YANG / Dony Lee	DATE 11/23/2007	TITLE OSL02	SAMSUNG ELECTRONICS
CHECK TH LEE	DEV. STEP MP	UNDEFINED	
APPROVAL MK KIM	REV REV 1.1	UNDEFINED	PART NO. BA11-00866A
MODULE CODE	LAST EDIT	May 15, 2008 08:19:32 AM	PAGE 11 OF 13

SAMSUNG PROPRIETARY

THIS DOCUMENT CONTAINS CONFIDENTIAL PROPRIETARY INFORMATION THAT IS SAMSUNG ELECTRONICS CO.'S PROPERTY. DO NOT DISCLOSE TO OR DUPLICATE FOR OTHERS EXCEPT AS AUTHORIZED BY SAMSUNG.

FSA	FSB	FSC	HOST CLK
0	0	0	266 MHz
0	0	1	333 MHz
0	1	0	200 MHz
0	1	1	400 MHz
1	0	0	133 MHz
1	0	1	100 MHz
1	1	0	166 MHz
1	1	1	RSVD



Place 14.318MHz within 500mils of CK-505

2nd source IDT, 1205-003159

This part is 64pin QFN package.

CLK REQ	DEVICE	SRC PORT
CLK REQ A	SATACLKREQ#	SRC2
CLK REQ B	MCH3_CLKREQ#	SRC4
CLK REQ E	MIN3_CLKREQ#	SRC6
CLK REQ F	EXP3_CLKREQ#	SRC8
CLK REQ G	LOM3_CLKREQ#	SRC9

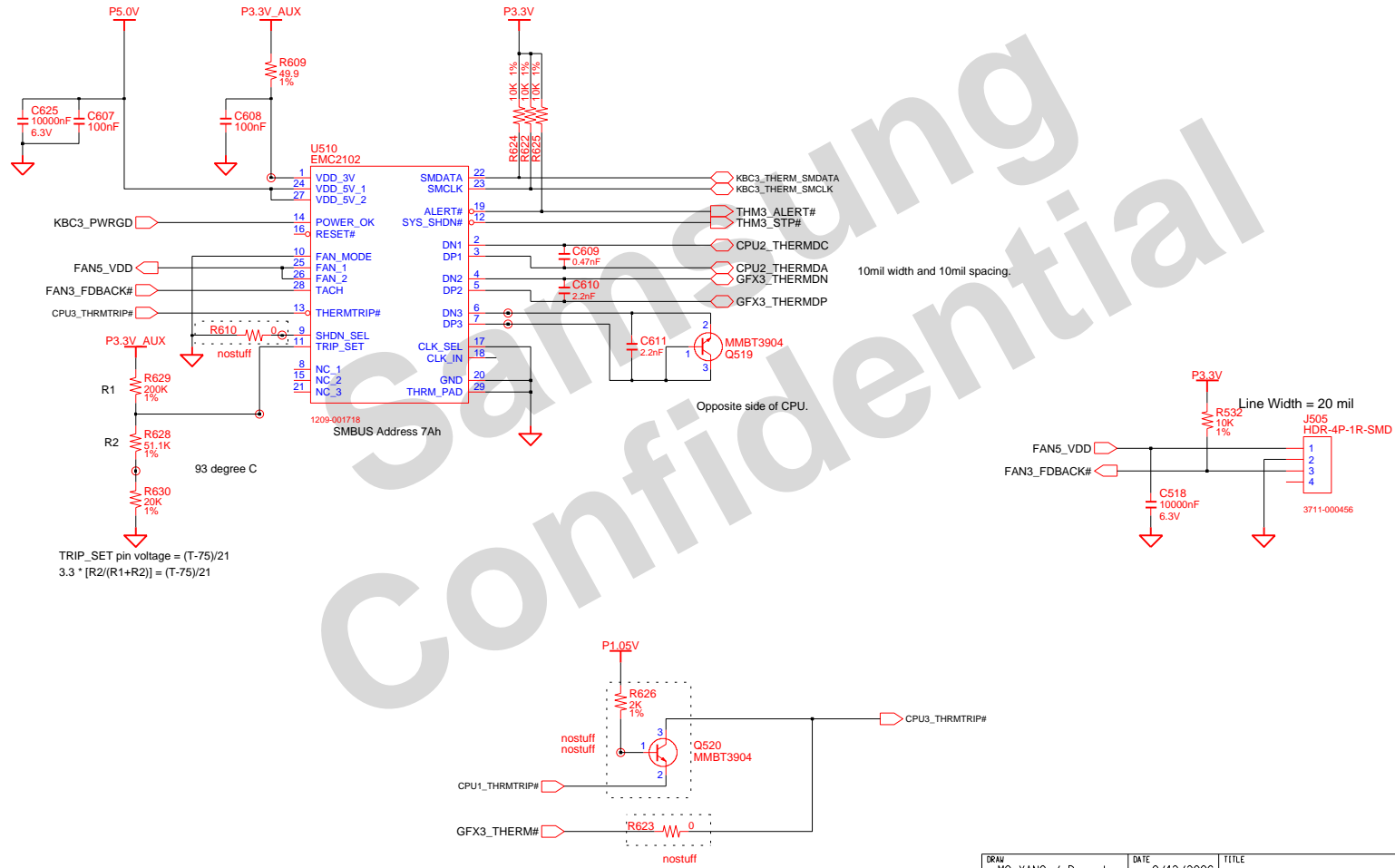
SEL_LDCCLK*	Pin 20/21	Pin 24/25
LOW	DOT_96/DOT_96#	PEG_CLK/PEG_CLK#
HIGH	SRC_0/SRC_0#	27M & 27M_SS

DRAW MS YANG / Dany Lee	DATE 8/12/2006	TITLE OSL02	SAMSUNG ELECTRONICS
CHECK TH LEE	DEV. STEP MP	Main_Clock_Circuit	
APPROVAL MK KIM	REV REV 1.1	CK_Clock_505M	PART NO. BA41-00866A
MODULE CODE undefined	LAST EDIT	May 15, 2008 08:19:32 AM	PAGE 1 OF 1

SAMSUNG PROPRIETARY

THIS DOCUMENT CONTAINS CONFIDENTIAL PROPRIETARY INFORMATION THAT IS SAMSUNG ELECTRONICS CO.'S PROPERTY. DO NOT DISCLOSE TO OR DUPLICATE FOR OTHERS EXCEPT AS AUTHORIZED BY SAMSUNG.

THERMAL SENSOR & FAN CONTROL

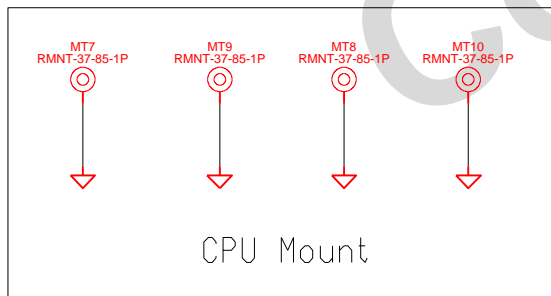
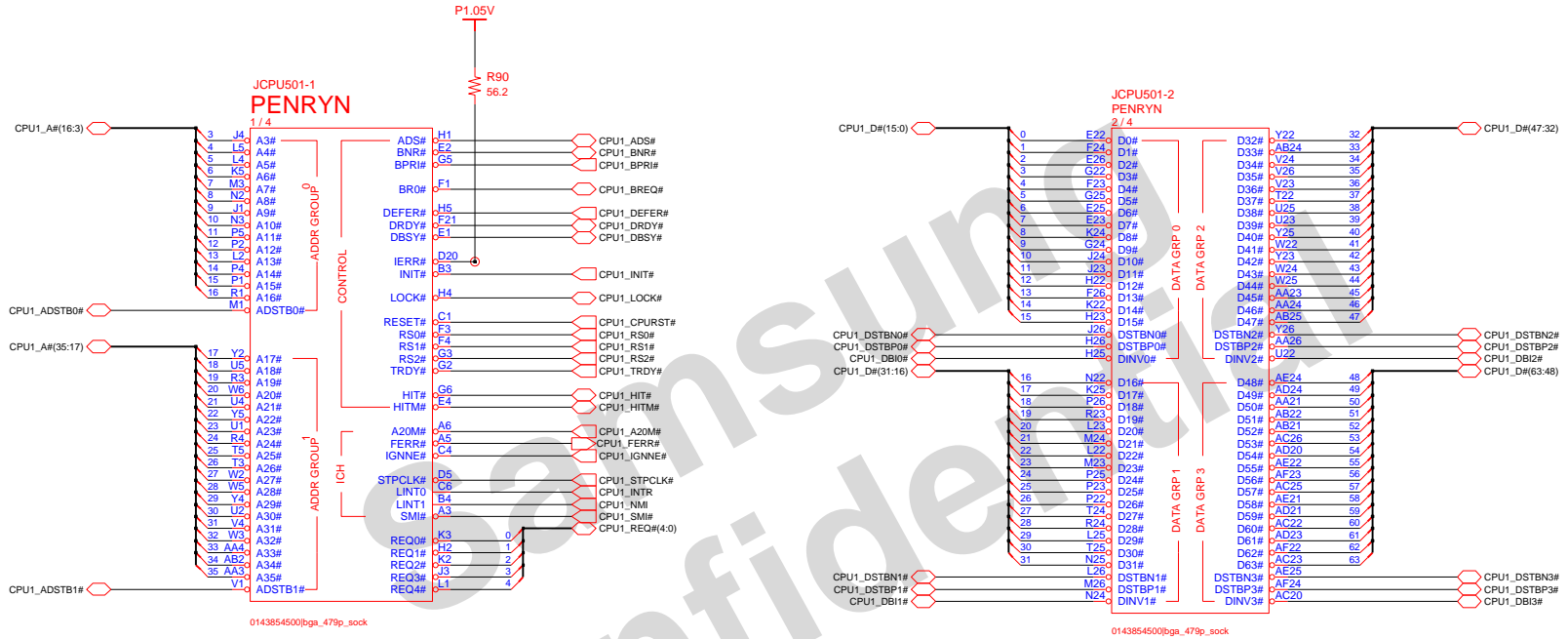


DRAW	MS YANG / Dany Lee	DATE	8/12/2006	TITLE	OSL02	SAMSUNG ELECTRONICS
CHECK	TH LEE	DEV. STEP	MP	Thermal_Sensor_SMSC_Emc2102	PART NO.	
APPROVAL	MK KIM	REV	REV 1.1	Thermal_Sensor_SMSC_Emc2102	BA41-00866A	
MODULE CODE		LAST EDIT				
				May 15, 2008 08:19:32 AM	PAGE	1 OF 1

SAMSUNG PROPRIETARY

THIS DOCUMENT CONTAINS CONFIDENTIAL PROPRIETARY INFORMATION THAT IS SAMSUNG ELECTRONICS CO.'S PROPERTY. DO NOT DISCLOSE TO OR DUPLICATE FOR OTHERS EXCEPT AS AUTHORIZED BY SAMSUNG.

479P CPU socket is 3704-001153

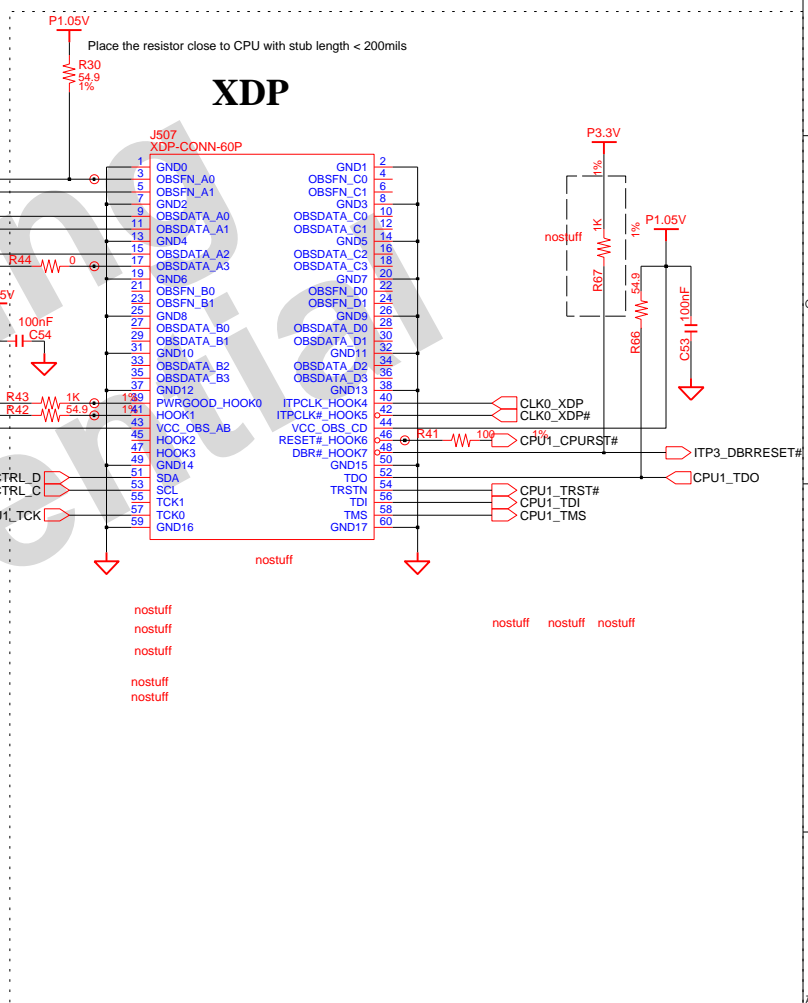
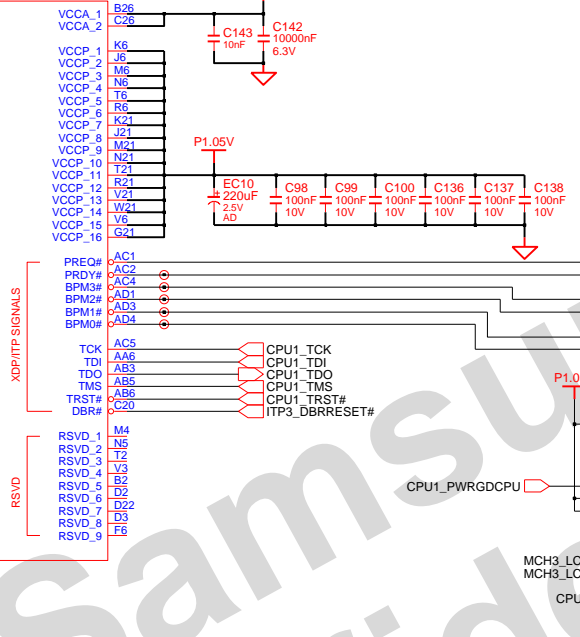
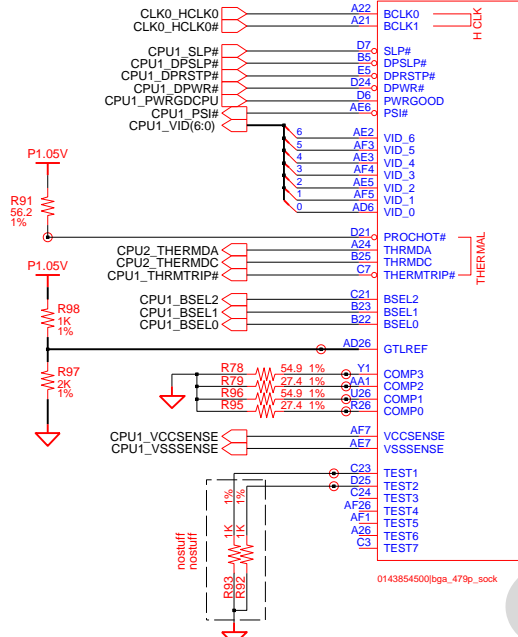


DRAW	MS YANG / Dany Lee	DATE	11/8/2006	TITLE	OSL02	SAMSUNG ELECTRONICS
CHECK	TH LEE	DEV. STEP	MP	CPU	PENRYN (1/3)	
APPROVAL	MK KIM	REV	REV 1.1			PART NO. BA11-00866A
MODULE CODE	undefined	LAST EDIT	May 15, 2008 08:19:32 AM	PAGE	1	OF 3

SAMSUNG PROPRIETARY

THIS DOCUMENT CONTAINS CONFIDENTIAL PROPRIETARY INFORMATION THAT IS SAMSUNG ELECTRONICS CO.'S PROPERTY. DO NOT DISCLOSE TO OR DUPLICATE FOR OTHERS EXCEPT AS AUTHORIZED BY SAMSUNG.

**JCPU501-3
PENRYN
3/4**



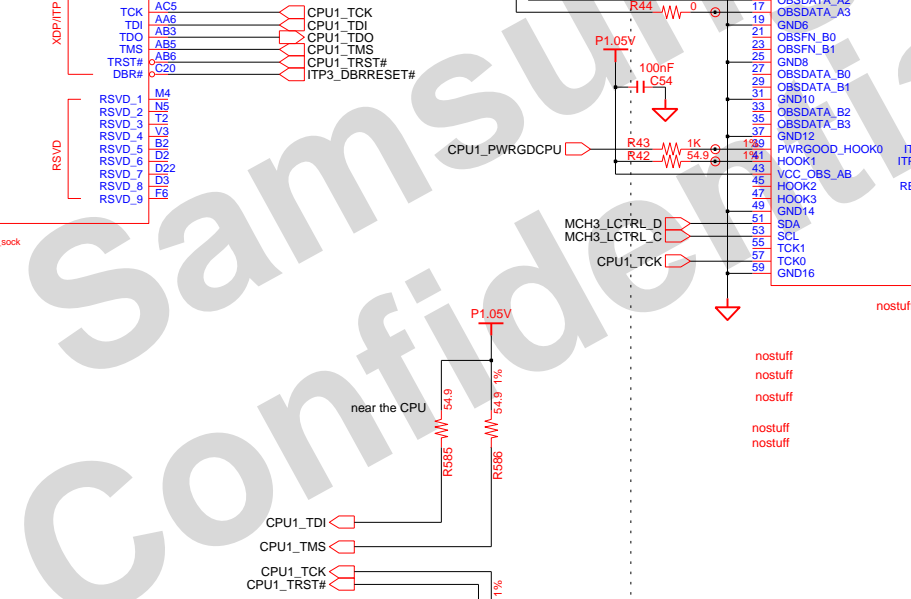
GTLREF : Keep the Voltage divider within 0.5" of the first GTLREF pin with Zo=55ohm trace. Minimize coupling of any switching signals to this net.

COMP0,2(COMP1,3) should be connected with Zo=27.4ohm(55ohm) trace shorter than 1/2" to their respective Banias socket pins.

GND test points within 100mil of the VCC/VSSense at the end of the line. Route the VCC/VSSense as a Zo=55ohm traces with equal length. Observe 3:1 spacing b/w VCC/VSSense lines and 25mil away (preferred 50mil) from any other signal. And GND via 100mil away from each of the VCC/VSS test point vias.

BSEL

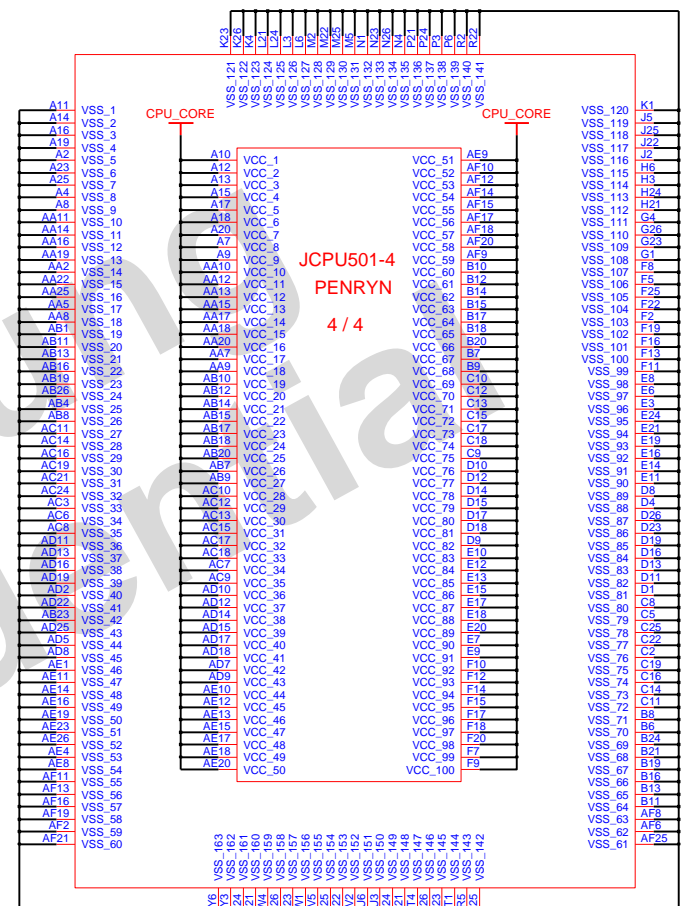
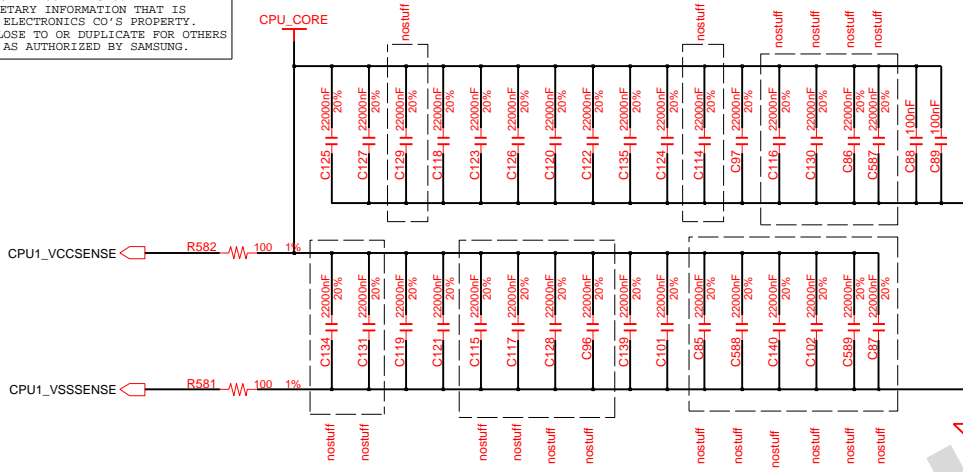
	Pull-up	Pull-down
FSB 1067 MHz		BSEL0, BSEL1, BSEL2
FSB 800 MHz	BSEL1	BSEL0, BSEL2



DRAW MS YANG / Dany Lee	DATE 11/8/2006	TITLE OSL02 CPU	SAMSUNG ELECTRONICS
CHECK TH LEE	DEV. STEP MP	PENRYN (2/3)	
APPROVAL MK KIM	REV REV 1.1	PART NO. BA11-00866A	
MODULE CODE undefined	LAST EDIT	May 15, 2008 08:19:32 AM	PAGE 2 OF 3

SAMSUNG PROPRIETARY

THIS DOCUMENT CONTAINS CONFIDENTIAL PROPRIETARY INFORMATION THAT IS SAMSUNG ELECTRONICS CO.'S PROPERTY. DO NOT DISCLOSE TO OR DUPLICATE FOR OTHERS EXCEPT AS AUTHORIZED BY SAMSUNG.



CPU Core Voltage Table IMVP-6

6x 330 uF : CPU VR side

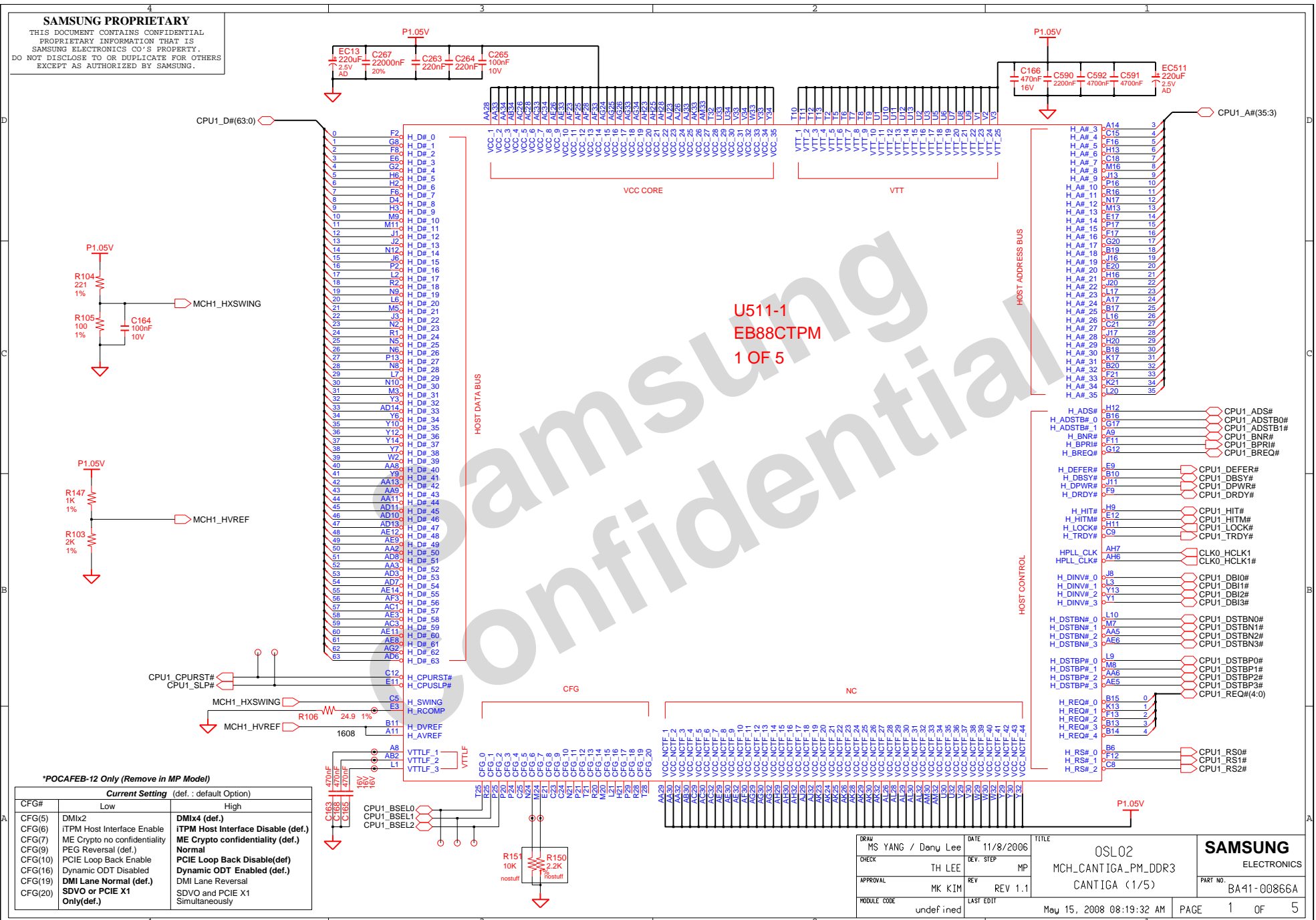
Table with 6 columns: VID(6.0), Voltage, Active Mode, Dual Mode Region, Deeper Sleep/Extended Deeper Sleep, and Voltage. Includes active mode, deeper sleep, and deeper sleep dual mode regions.

*Yonah Processor (2.33 GHz / 800 MHz : TBD)

Revision control table with columns for DRAW, CHECK, APPROVAL, MODULE CODE, DATE, DEV. STEP, REV, LAST EDIT, TITLE, and PART NO.

SAMSUNG PROPRIETARY

THIS DOCUMENT CONTAINS CONFIDENTIAL PROPRIETARY INFORMATION THAT IS SAMSUNG ELECTRONICS CO.'S PROPERTY. DO NOT DISCLOSE TO OR DUPLICATE FOR OTHERS EXCEPT AS AUTHORIZED BY SAMSUNG.



U511-1
EB88CTPM
1 OF 5

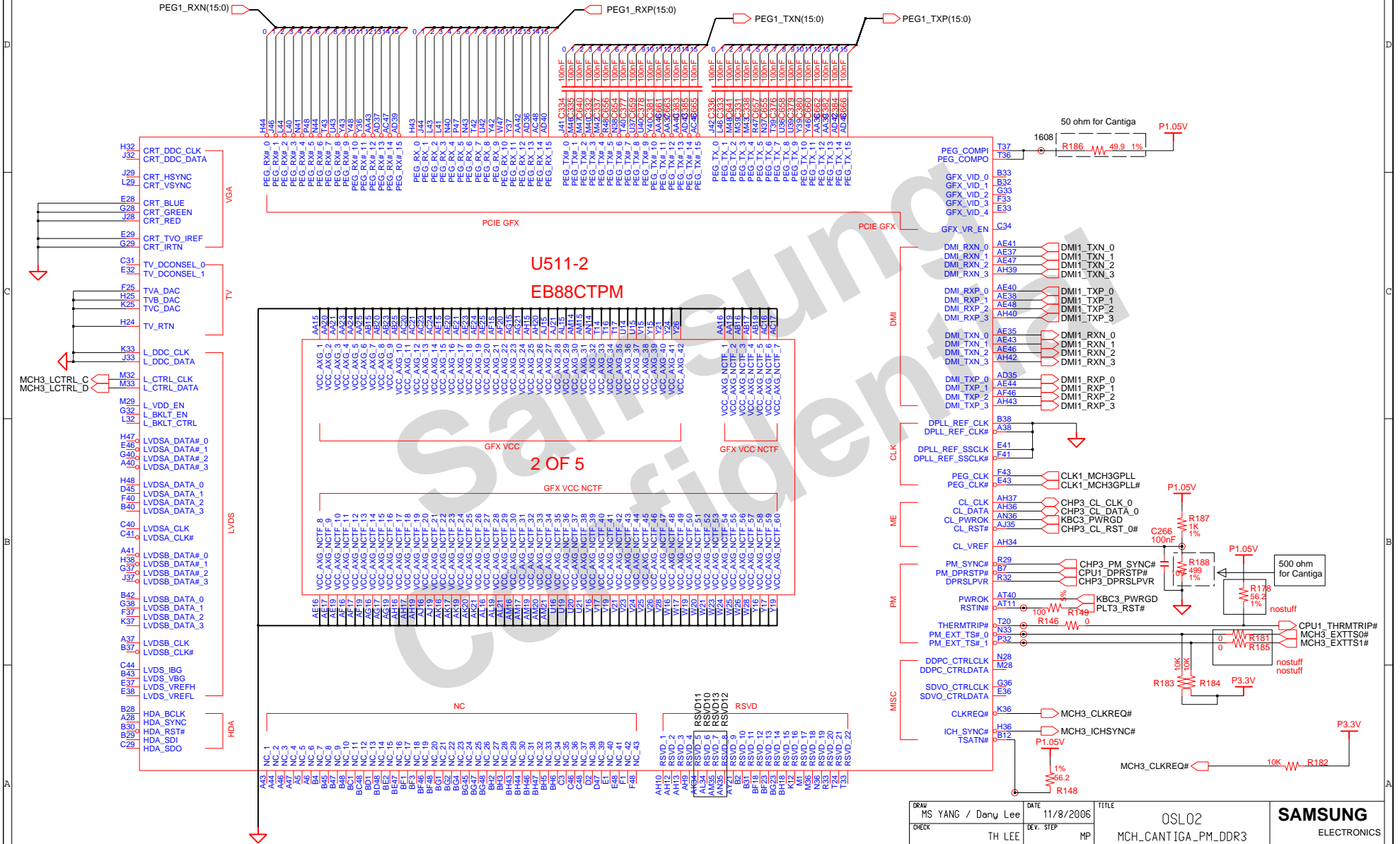
***POCAFEB-12 Only (Remove in MP Model)**

CFG#	Low	High
CFG(5)	DMIX2	DMIX4 (def.)
CFG(6)	ITPM Host Interface Enable	ITPM Host Interface Disable (def.)
CFG(7)	ME Crypto no confidentiality	ME Crypto confidentiality (def.)
CFG(9)	PEG Reversal (def.)	Normal
CFG(10)	PCIe Loop Back Enable	PCIe Loop Back Disable(def.)
CFG(16)	Dynamic ODT Disabled	Dynamic ODT Enabled (def.)
CFG(19)	DMI Lane Normal (def.)	DMI Lane Reversal
CFG(20)	SDVO or PCIe X1 Only(def.)	SDVO and PCIe X1 Simultaneously

DRAW	MS YANG / Dony Lee	DATE	11/8/2006	TITLE	OSL02	SAMSUNG ELECTRONICS
CHECK		REV. STEP	MP	MCH_CANTIGA_PM_DDR3		
APPROVAL	TH LEE	REV	1.1	CANTIGA (<1/5)	PART NO.	BA11-00866A
MODULE CODE	undefined	LAST EDIT		May 15, 2008 08:19:32 AM	PAGE	1 OF 5

SAMSUNG PROPRIETARY

THIS DOCUMENT CONTAINS CONFIDENTIAL PROPRIETARY INFORMATION THAT IS SAMSUNG ELECTRONICS CO.'S PROPERTY. DO NOT DISCLOSE TO OR DUPLICATE FOR OTHERS EXCEPT AS AUTHORIZED BY SAMSUNG.



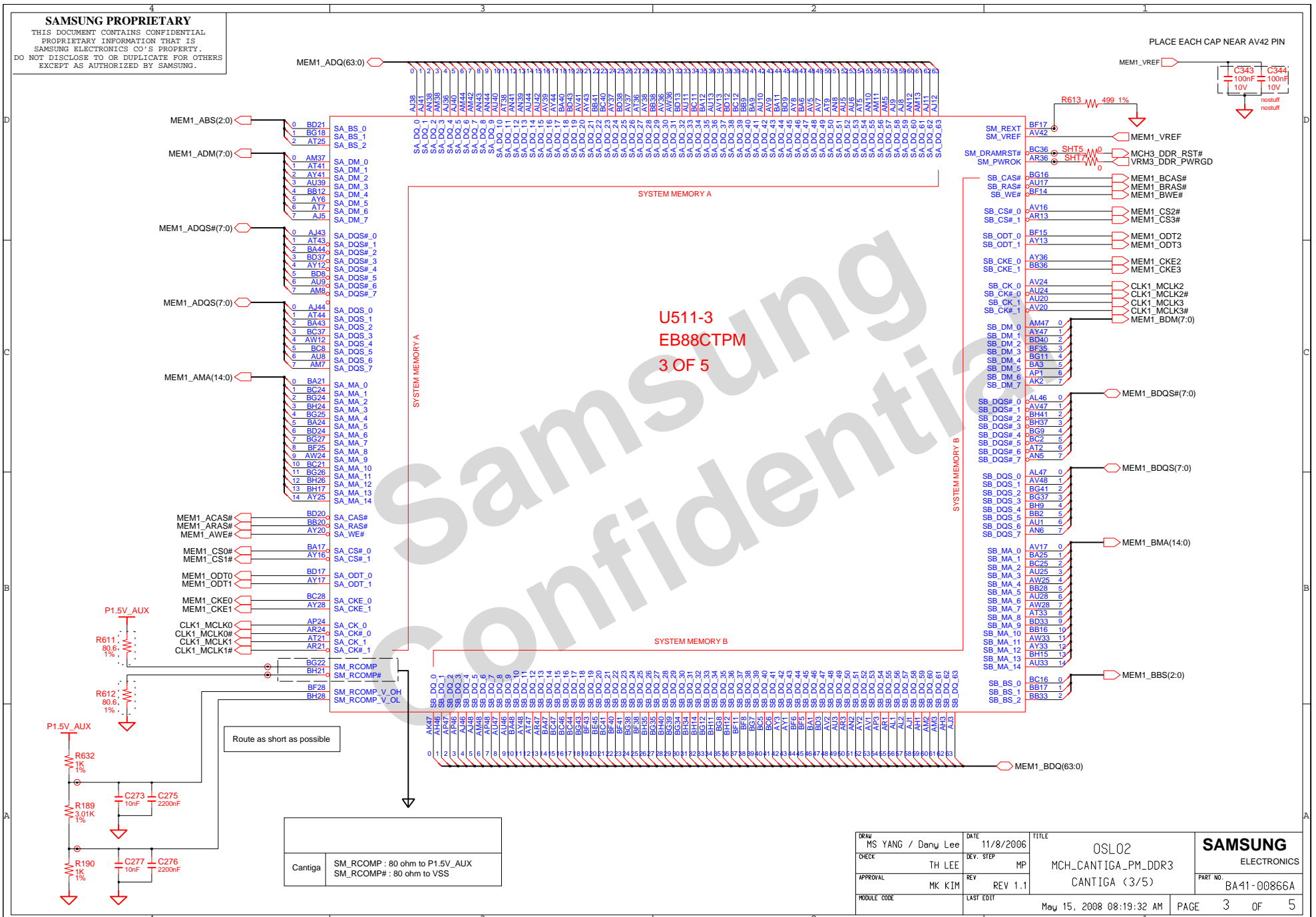
2 x 330 uF : GFX VR side

DRAW	MS YANG / Dany Lee	DATE	11/8/2006	TITLE	OSL02	SAMSUNG ELECTRONICS
CHECK	TH LEE	DEV. STEP	MP	MCH_CANTIGA_PM_DDR3	CANTIGA (2/5)	
APPROVAL	MK KIM	REV	REV 1.1			PART NO. BA11-00866A
MODULE CODE	undefined	LAST EDIT		May 15, 2008 08:19:32 AM	PAGE	2 OF 5

SAMSUNG PROPRIETARY

THIS DOCUMENT CONTAINS CONFIDENTIAL PROPRIETARY INFORMATION THAT IS SAMSUNG ELECTRONICS CO.'S PROPERTY. DO NOT DISCLOSE TO OR DUPLICATE FOR OTHERS EXCEPT AS AUTHORIZED BY SAMSUNG.

PLACE EACH CAP NEAR AV42 PIN



SYSTEM MEMORY A

U511-3
EB88CTPM
3 OF 5

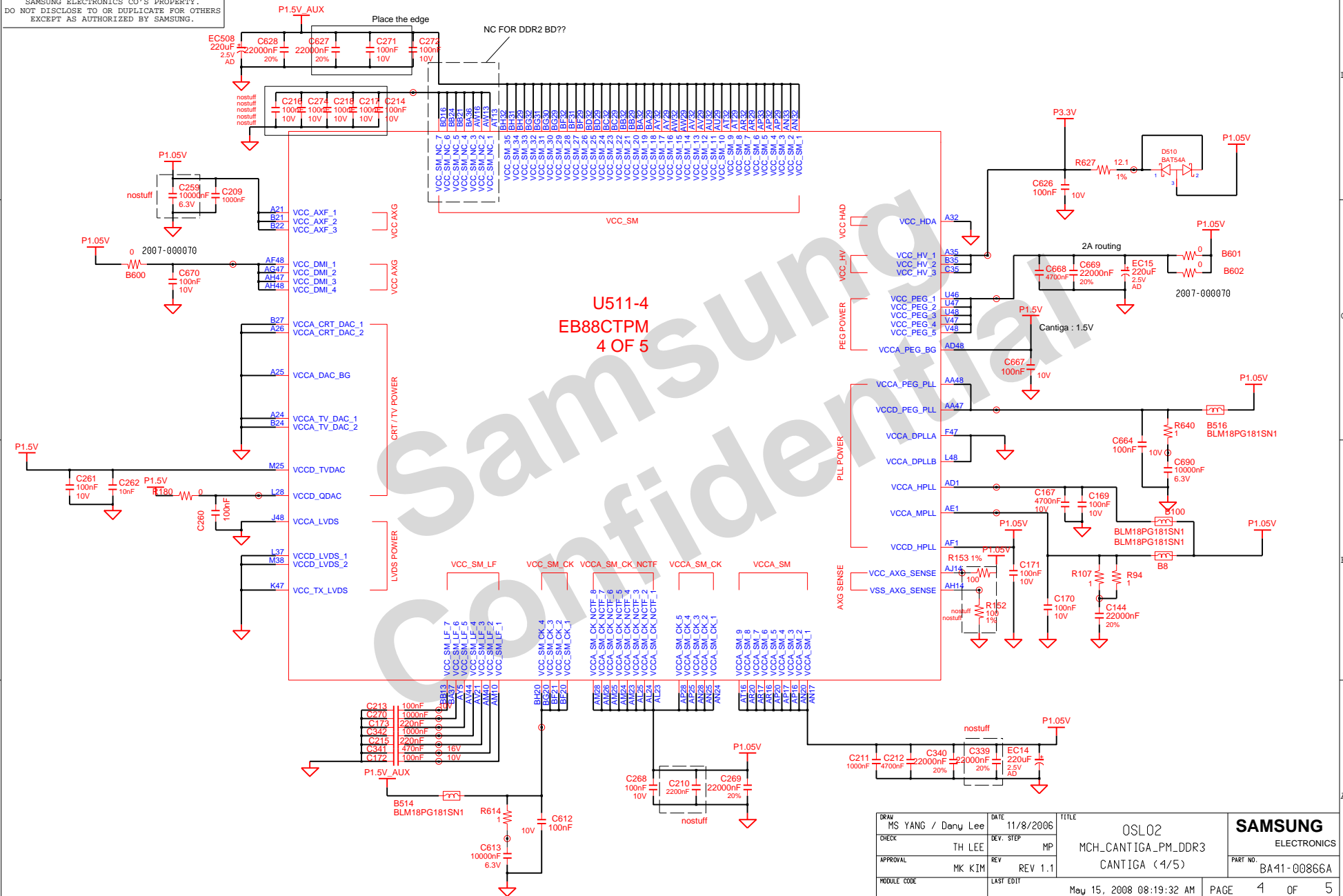
SYSTEM MEMORY B

Cantiga	SM_RCMP : 80 ohm to P1.5V_AUX SM_RCMP# : 80 ohm to VSS
---------	-----------------------------------------------------------

DRW	MS YANG / Dany Lee	DATE	11/8/2006	TITLE	OSL02	SAMSUNG ELECTRONICS
CHECK	TH LEE	DEV. STEP	MP	MCH_CANTIGA_PM_DDR3	PART NO.	
APPROVAL	MK KIM	REV	REV 1.1	CANTIGA (3/5)	BA41-00866A	
MODULE CODE		LAST EDIT		May 15, 2008 08:19:32 AM	PAGE	3 OF 5

SAMSUNG PROPRIETARY

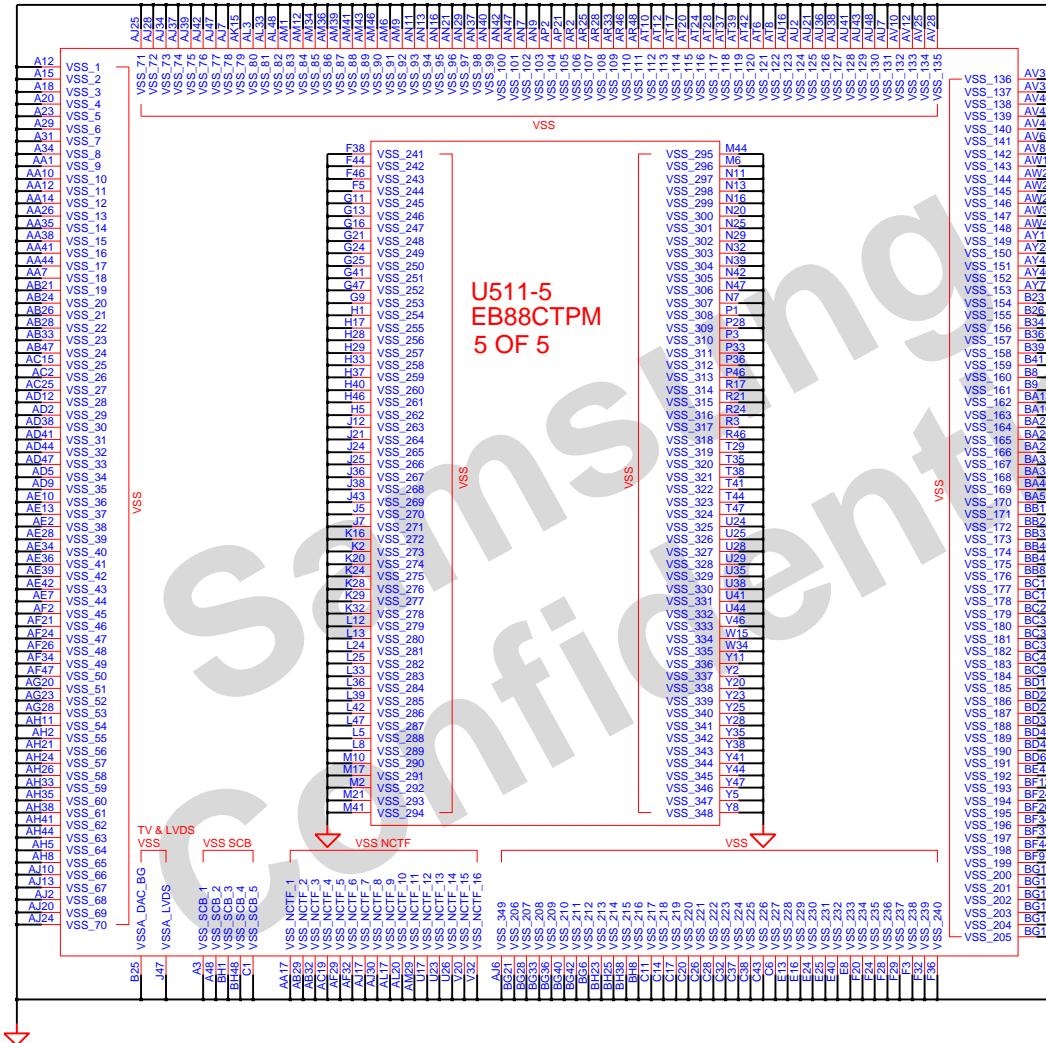
THIS DOCUMENT CONTAINS CONFIDENTIAL PROPRIETARY INFORMATION THAT IS SAMSUNG ELECTRONICS CO.'S PROPERTY. DO NOT DISCLOSE TO OR DUPLICATE FOR OTHERS EXCEPT AS AUTHORIZED BY SAMSUNG.



DRAW	MS YANG / Dany Lee	DATE	11/8/2006	TITLE	OSL02	SAMSUNG ELECTRONICS
CHECK	TH LEE	DEV. STEP	MP	MCH_CANTIGA_PM_DDR3	CANTIGA (4/5)	
APPROVAL	MK KIM	REV	REV 1.1			PART NO. BA41-00866A
MODULE CODE		LAST EDIT				
				May 15, 2008 08:19:32 AM	PAGE	4 OF 5

SAMSUNG PROPRIETARY

THIS DOCUMENT CONTAINS CONFIDENTIAL PROPRIETARY INFORMATION THAT IS SAMSUNG ELECTRONICS CO.'S PROPERTY. DO NOT DISCLOSE TO OR DUPLICATE FOR OTHERS EXCEPT AS AUTHORIZED BY SAMSUNG.



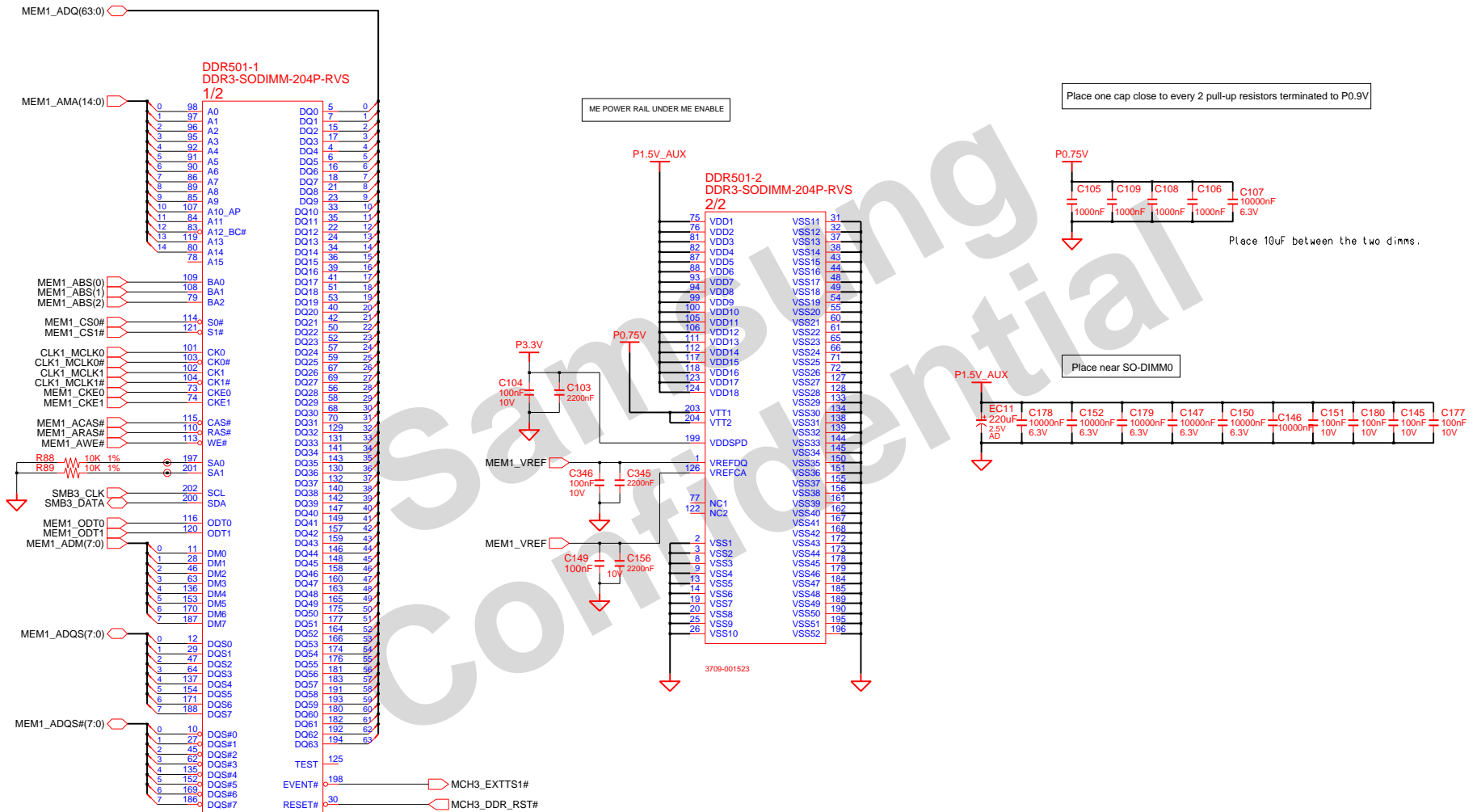
DRAW	MS YANG / Dany Lee	DATE	11/8/2006	TITLE	OSL02	SAMSUNG ELECTRONICS
CHECK	TH LEE	DEV. STEP	MP	MCH_CANTIGA_PM_DDR3	CANTIGA (5/5)	
APPROVAL	MK KIM	REV	REV 1.1			PART NO. BA11-00866A
MODULE CODE	LAST EDIT		May 15, 2008 08:19:32 AM		PAGE	5 OF 5

SAMSUNG PROPRIETARY

THIS DOCUMENT CONTAINS CONFIDENTIAL PROPRIETARY INFORMATION THAT IS SAMSUNG ELECTRONICS CO.'S PROPERTY. DO NOT DISCLOSE TO OR DUPLICATE FOR OTHERS EXCEPT AS AUTHORIZED BY SAMSUNG.

DDR SO-DIMM #0

Height : 5.2mm (Reverse)



3709-001523

3709-001523

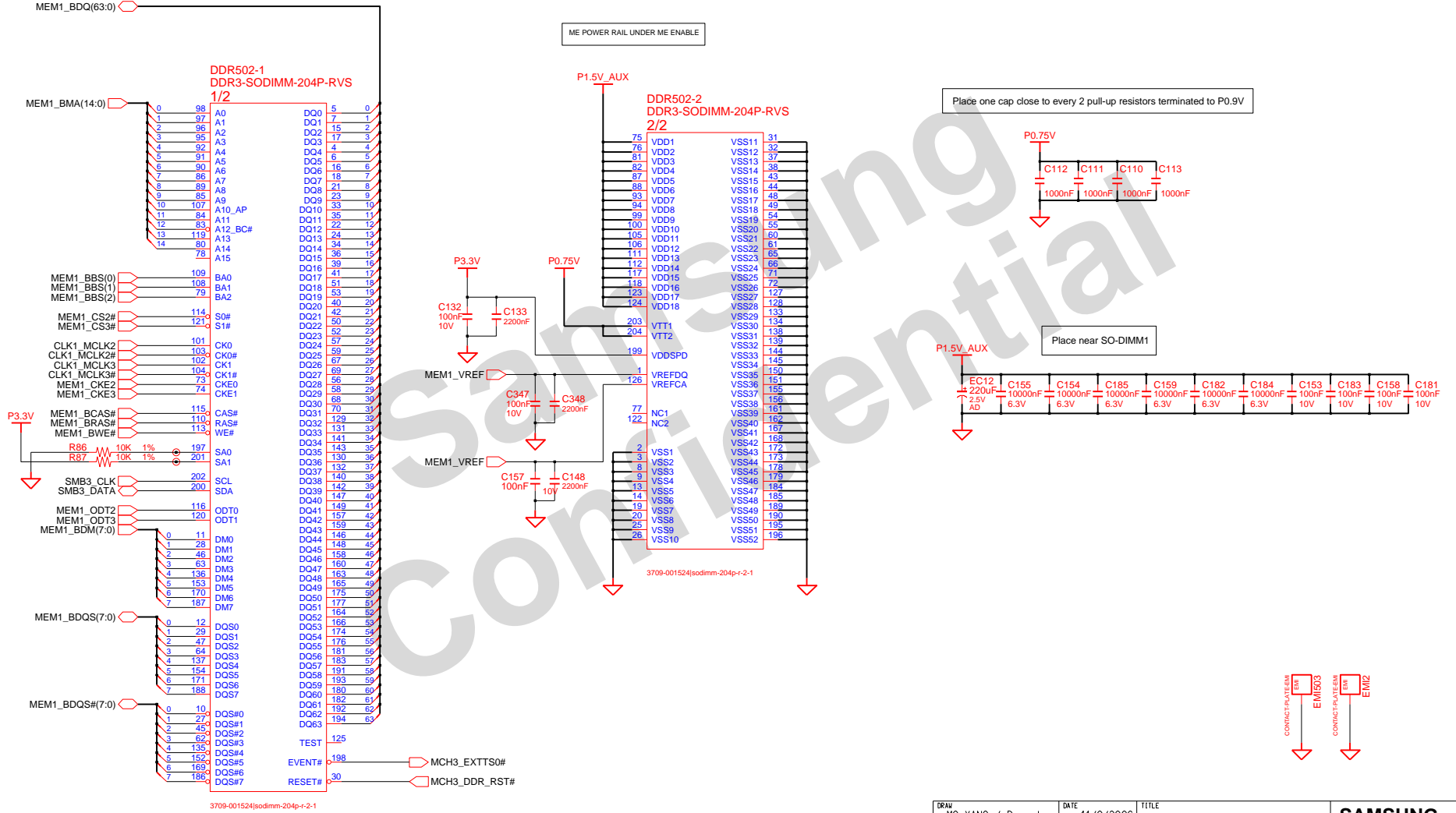
DRAW MS YANG / Dany Lee	DATE 11/8/2006	TITLE OSL02 SODIMM_REV	SAMSUNG ELECTRONICS
CHECK TH LEE	DEV. STEP MP	SODIMM_REV DDR3 CH A	
APPROVAL MK KIM	REV REV 1.1	PART NO. BA11-00866A	
MODULE CODE	LAST EDIT	May 15, 2008 08:19:32 AM	PAGE 1 OF 2

SAMSUNG PROPRIETARY

THIS DOCUMENT CONTAINS CONFIDENTIAL PROPRIETARY INFORMATION THAT IS SAMSUNG ELECTRONICS CO.'S PROPERTY. DO NOT DISCLOSE TO OR DUPLICATE FOR OTHERS EXCEPT AS AUTHORIZED BY SAMSUNG.

DDR SO-DIMM #1

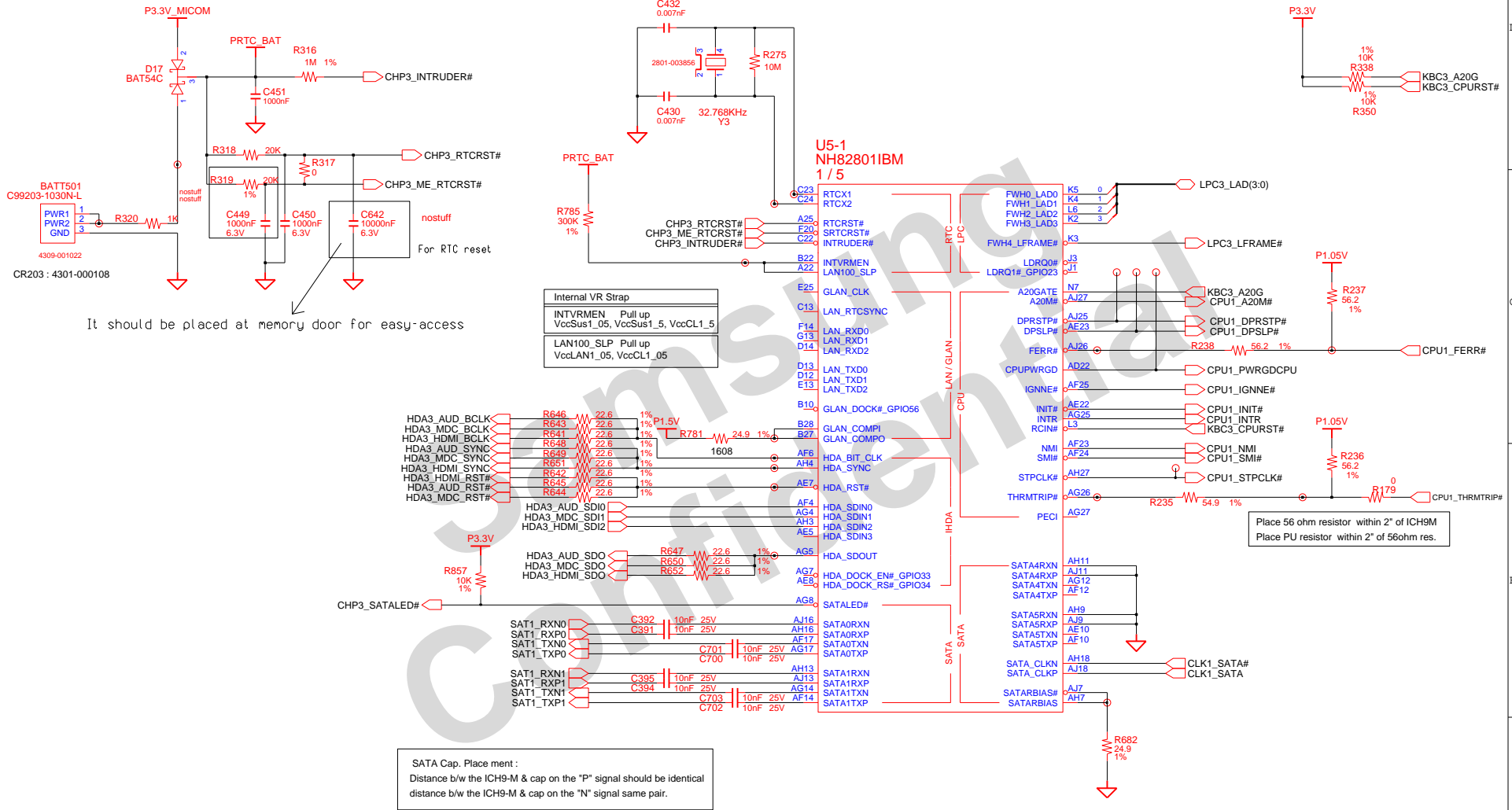
Height : 9.2mm (Reverse)



DRAW MS YANG / Dany Lee	DATE 11/8/2006	TITLE OSL02 SODIMM_REV	SAMSUNG ELECTRONICS
CHECK TH LEE	DEV. STEP MP	DDR3 CH B	
APPROVAL MK KIM	REV REV 1.1	PART NO. BA41-00866A	
MODULE CODE	LAST EDIT	May 15, 2008 08:19:32 AM	PAGE 2 OF 2

SAMSUNG PROPRIETARY

THIS DOCUMENT CONTAINS CONFIDENTIAL PROPRIETARY INFORMATION THAT IS SAMSUNG ELECTRONICS CO.'S PROPERTY. DO NOT DISCLOSE TO OR DUPLICATE FOR OTHERS EXCEPT AS AUTHORIZED BY SAMSUNG.



It should be placed at memory door for easy-access

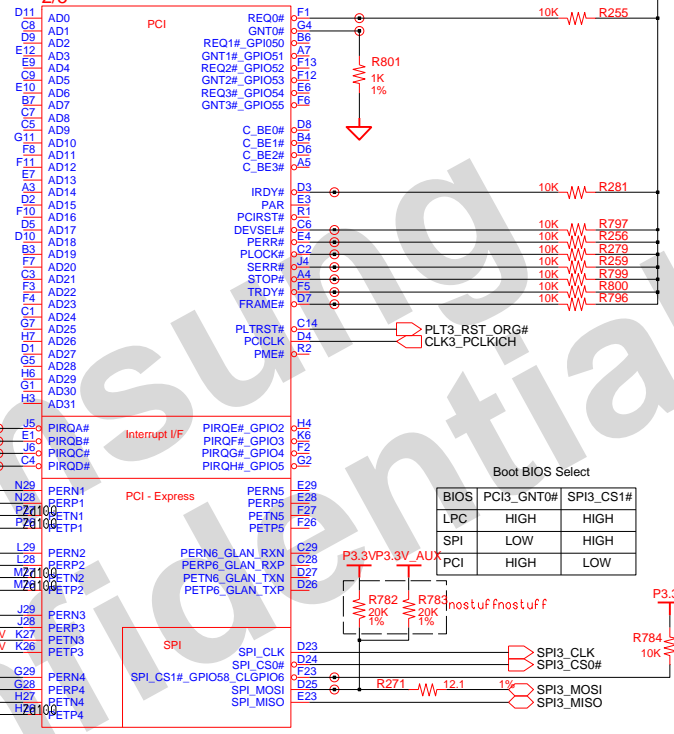
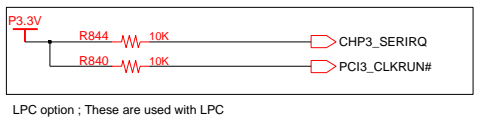
DRAW	MS YANG / Dony Lee	DATE	11/8/2006	TITLE	OSL02	SAMSUNG ELECTRONICS
CHECK	TH LEE	DEV. STEP	MP		ICH_9M_B	
APPROVAL	MK KIM	REV	1.1		ICH9-M (1/5)	PART NO. BA41-00866A
MODULE CODE		LAST EDIT				

May 15, 2008 08:19:32 AM PAGE 1 OF 5

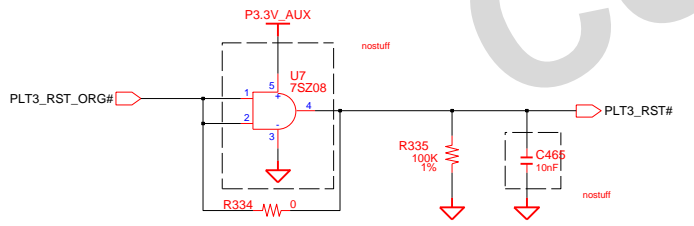
SAMSUNG PROPRIETARY

THIS DOCUMENT CONTAINS CONFIDENTIAL PROPRIETARY INFORMATION THAT IS SAMSUNG ELECTRONICS CO.'S PROPERTY. DO NOT DISCLOSE TO OR DUPLICATE FOR OTHERS EXCEPT AS AUTHORIZED BY SAMSUNG.

**U5-2
NH82801IBM
2/5**



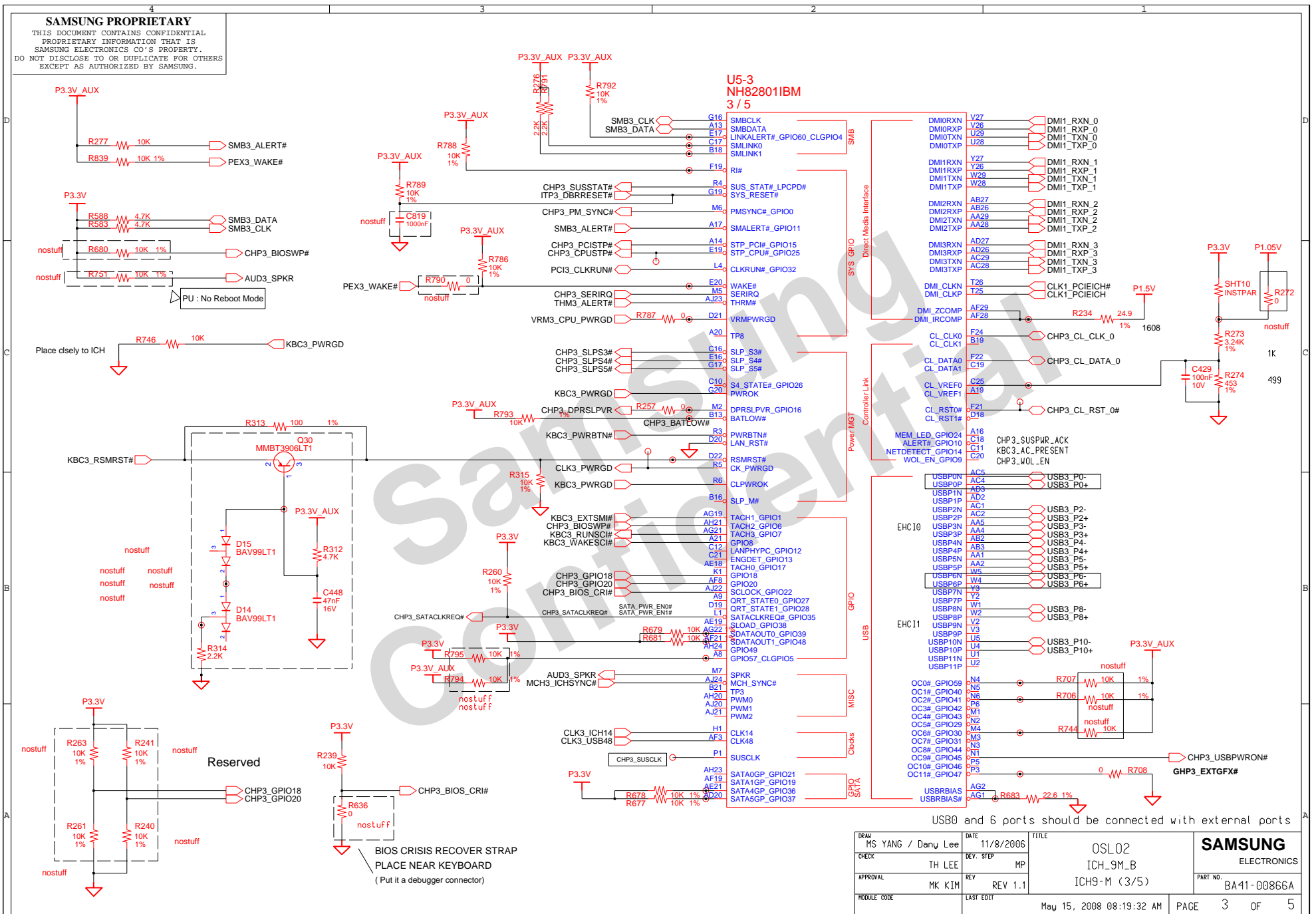
AC caps : PCIe need to be within 250mils of the driver
Resistor for Test : Place Stuffing Option to minimize stubs



DRAW	MS YANG / Dany Lee	DATE	11/8/2006	TITLE	OSL02	SAMSUNG ELECTRONICS
CHECK	TH LEE	DEV. STEP	MP	ICH_9M_B	PART NO.	
APPROVAL	MK KIM	REV	REV 1.1	ICH9-M (2/5)	BA11-00866A	
MODULE CODE	undefined	LAST EDIT		May 15, 2008 08:19:32 AM	PAGE	2 OF 5

SAMSUNG PROPRIETARY

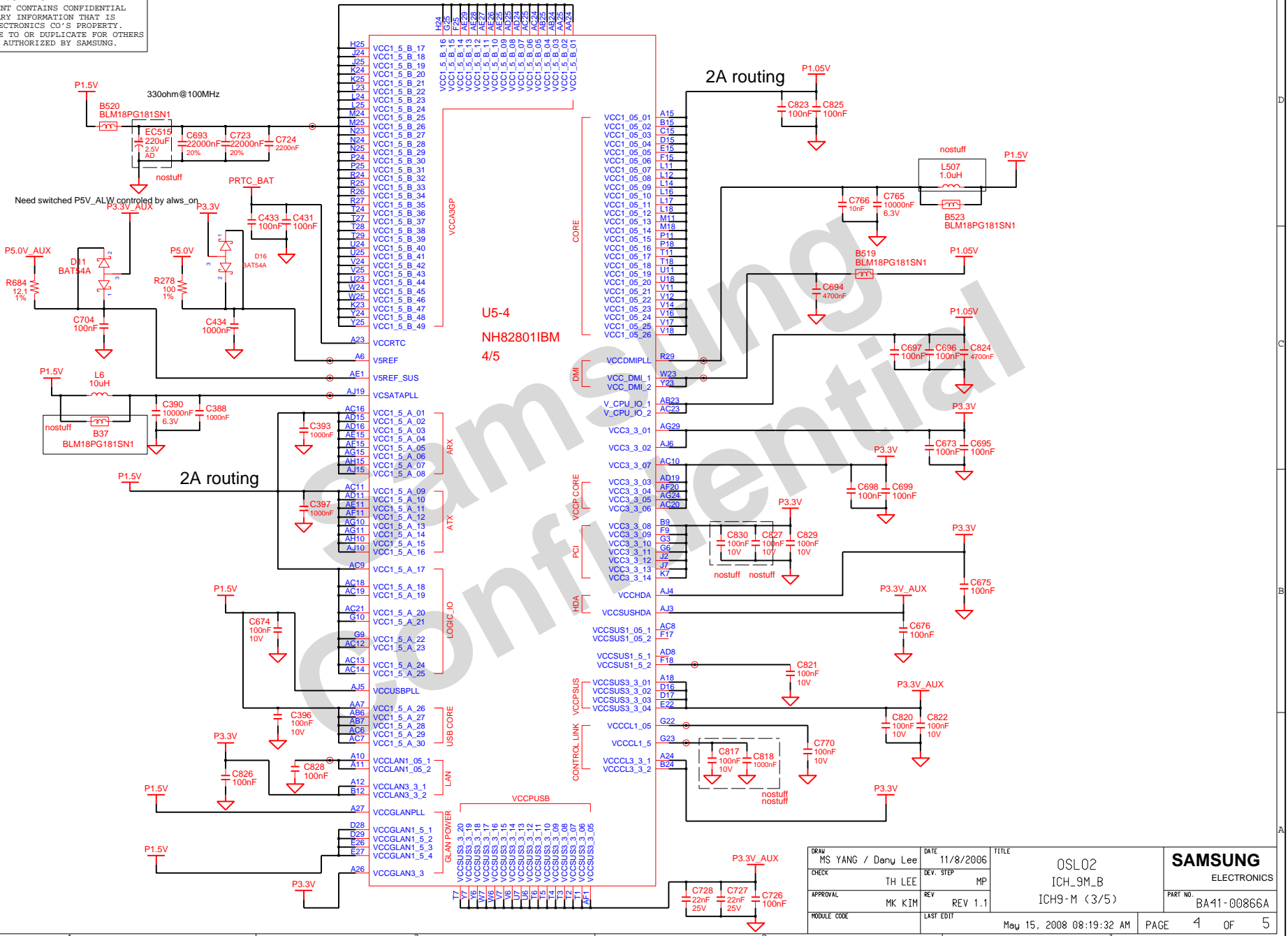
THIS DOCUMENT CONTAINS CONFIDENTIAL PROPRIETARY INFORMATION THAT IS SAMSUNG ELECTRONICS CO.'S PROPERTY. DO NOT DISCLOSE TO OR DUPLICATE FOR OTHERS EXCEPT AS AUTHORIZED BY SAMSUNG.



DRAW	MS YANG / Dany Lee	DATE	11/8/2006	TITLE	OSL02	SAMSUNG ELECTRONICS
CHECK	TH LEE	DEV. STEP	MP	ICH3M_B		
APPROVAL	MK KIM	REV	REV 1.1	ICH9-M (3/5)		PART NO. BA41-00866A
MODULE CODE		LAST EDIT		May 15, 2008 08:19:32 AM		PAGE 3 OF 5

SAMSUNG PROPRIETARY

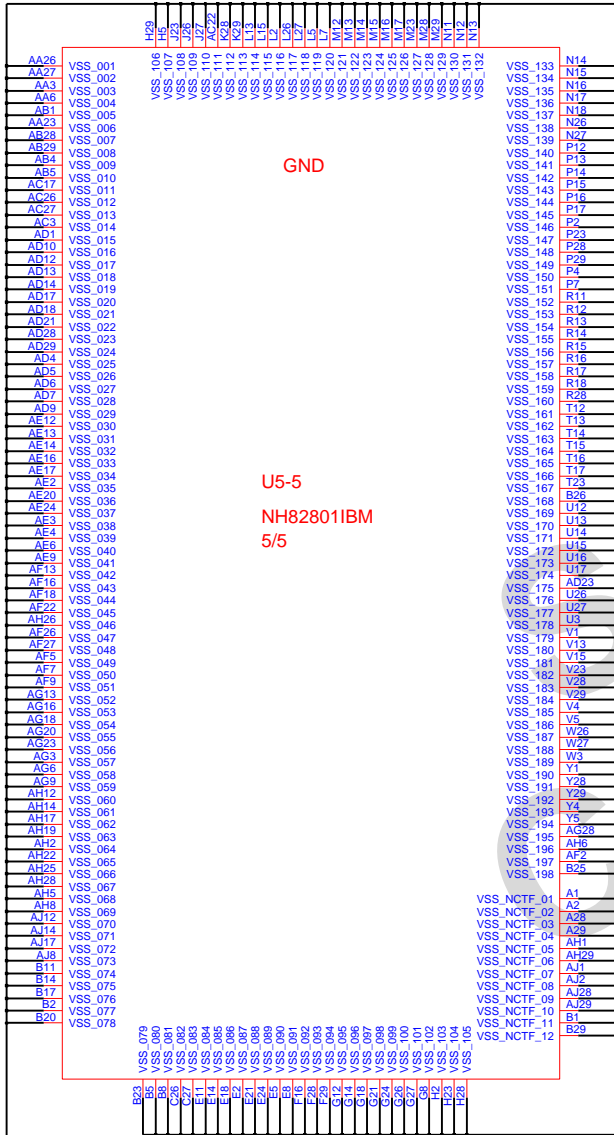
THIS DOCUMENT CONTAINS CONFIDENTIAL PROPRIETARY INFORMATION THAT IS SAMSUNG ELECTRONICS CO.'S PROPERTY. DO NOT DISCLOSE TO OR DUPLICATE FOR OTHERS EXCEPT AS AUTHORIZED BY SAMSUNG.



DRAW	MS YANG / Dany Lee	DATE	11/8/2006	TITLE	OSL02	SAMSUNG ELECTRONICS
CHECK	TH LEE	DEV. STEP	MP	ICH_3M_B	PART NO.	
APPROVAL	MK KIM	REV	REV 1.1	ICH9-M (3/5)	BA41-00866A	
MODULE CODE		LAST EDIT				
				May 15, 2008 08:19:32 AM	PAGE	4 OF 5

SAMSUNG PROPRIETARY

THIS DOCUMENT CONTAINS CONFIDENTIAL
 PROPRIETARY INFORMATION THAT IS
 SAMSUNG ELECTRONICS CO.'S PROPERTY.
 DO NOT DISCLOSE TO OR DUPLICATE FOR OTHERS
 EXCEPT AS AUTHORIZED BY SAMSUNG.



Samsung
Confidential

DRAW MS YANG / Dony Lee	DATE 11/8/2006	TITLE OSL02	SAMSUNG ELECTRONICS
CHECK TH LEE	DEV. STEP MP	ICH_9M_B	
APPROVAL MK KIM	REV REV 1.1	ICH9-M (5/5)	PART NO. BA11-00866A
MODULE CODE	LAST EDIT	May 15, 2008 08:19:32 AM	PAGE 5 OF 5

SAMSUNG PROPRIETARY

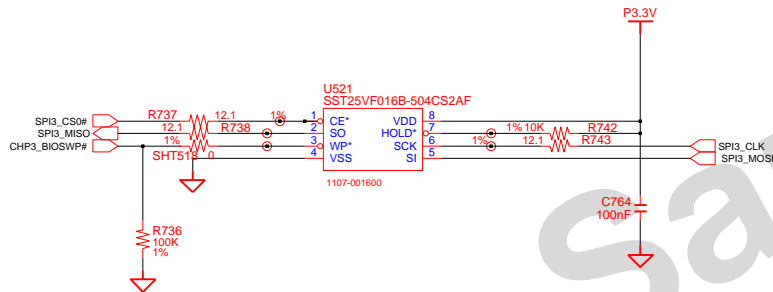
THIS DOCUMENT CONTAINS CONFIDENTIAL
 PROPRIETARY INFORMATION THAT IS
 SAMSUNG ELECTRONICS CO.'S PROPERTY.
 DO NOT DISCLOSE TO OR DUPLICATE FOR OTHERS
 EXCEPT AS AUTHORIZED BY SAMSUNG.

- SPI ROM LIST (8M)-

Macronix - MX25L8005M2C-15G
 -> 1107-001646
 STM - M25PE80
 -> 1107-001674

- SPI ROM LIST (16M)-

Macronix - MX25L1605A
 -> 1107-001600
 SST - SST25VF016B
 -> 1107-001600

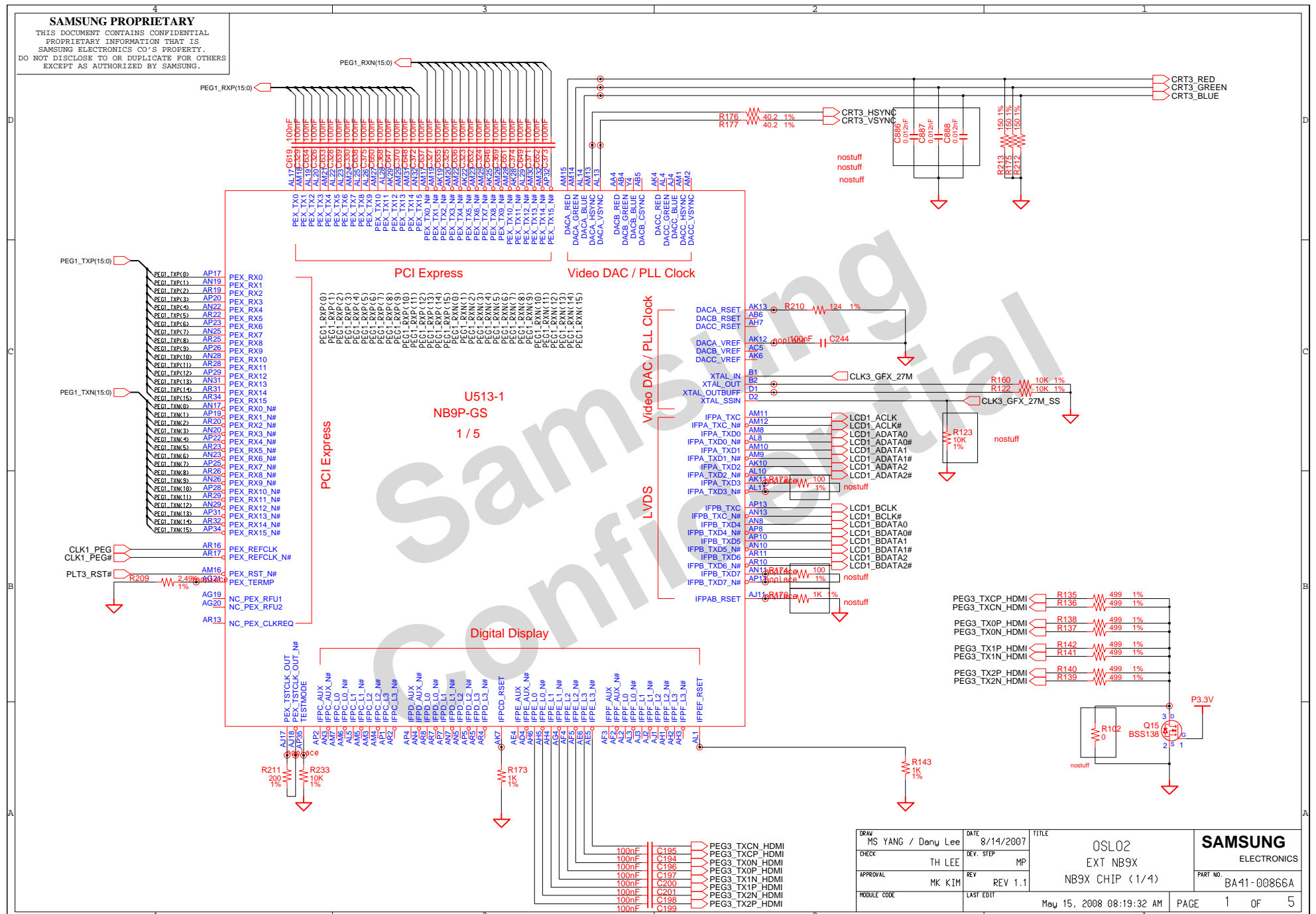


- | | |
|---------------------------------------|------------------------------------|
| 02 VERIFY REAL MODE | 66 CONFIGURE ADVANCE CACHE REG. |
| 03 DISABLE NMI | 6A DISPLAY EXTERNAL CACHE SIZE |
| 04 GET CPU TYPE | 6C DISPLAY SHADOW MESSAGE |
| 06 INIT. SYSTEM H/W | 6E DISPLAY NON-DISPOSABLE SEGMENT |
| 08 INIT. CHIPSET REG. | 70 DISPLAY ERROR MESSAGE |
| 09 SET IN POST FLAG | 72 CHECK FOR CONFIGURATION ERROR |
| 0A INIT CPU.REG | 74 TEST REAL-TIME CLOCK |
| 0B CPU CACHE ON | 76 CHECK FOR KEYBOARD EERROR |
| 0C INIT.CACHE TO POST | 7C SETUP HARDWARE INTERRUPT VECTOR |
| 0E INIT. I/O VALUE | 7E TEST COPROCESSER IF PRESENT |
| 0F ENABLE THE L-BUS IDE | 80 DISABLE ON-BOARD I/O PORT |
| 10 INIT. POWER MANAGER | 82 DETECT AND INSTALL EXT.RS232C |
| 11 LOAD ALTERNATE REG. | 84 DETECT AND INSTALL EXT.PARALLEL |
| 13 PCI BUS MASTER RESET | 86 RE-INIT. ON-BOARD I/O PORT |
| WITH INITIAL POST VALUE | 88 INIT. BIOS DATA ROM |
| 14 INIT. KEYBOARD CONTROLLER | 8A INIT.EXTENDED BIOS DATA AREA |
| 16 CHECK CHECKSUM | 8C INIT. FDD CONTROLLER |
| 18 8254 TIMER INIT. | 9A SHADOW OPTION ROMS |
| 1A 8237 DMA CONTROLLER INIT. | 9C SETUP POWER MANAGEMENT |
| 1C RESET INTERRUPT CONTROLLER | 9E ENABLE H/W INTERRUPT |
| 20 TEST DRAM REFRESH | A0 SET TIME OF DAY |
| 22 TEST 8742 KEYBOARD CONTROLLER | A4 INIT. TYPOMATIC RATE |
| 24 SET ES SEGMENT REG. TO 4GB | A8 ERASE F2 PROMPT |
| 26 ENABLE A20 | AA SCAN FOR F2 KEY STROKE |
| 28 AUTO SIZING DRAM | AC ENTER SETUP |
| 32 COMPUTE THE CPU SPEED | AE CLEAR IN POST FLAG |
| 34 TESET CMOS RAM | B0 CHECK FOR ERRORS |
| 38 SHADOW SYSTEM BIOS ROM | B2 POST DONE-PREPARE TO BOOT O/S |
| 3A AUTO SIZING CACHE | B4 ONE BEEP |
| 3C CONFIGURE ADVANCED CHIPSET REG. | B6 CHECK PASSWORD (OPTION) |
| 3D LOAD ALTER REG. WITH CMOS VALUE | B7 ACPI INIT |
| 42 INIT. INTERRUPT VECTOR | BA DMI INIT |
| 44 INIT. BIOS INTERRUPT | BE CLEAR SCREEN |
| 46 CHECK ROM COPYRIGHT NOTICE | C0 TRY BOOT WITH INT19 |
| 47 INIT. I20 SUPPORT IF INSTALLED | D0 INTERRUPT HANDLER ERROR |
| 48 CHECK VIDEO CONFIGURE AGAINST CMOS | D2 UNKNOWN INTERRUPT ERROR |
| 49 INIT. PCI BUS AND DEVICE | D4 PENDING INTERRUPT ERROR |
| 4A INIT. ALL VIDEO BIOS ROM | D6 SHUTDOWN 5 |
| 4C SHADOW VIDEO BIOS ROM | D8 SHUTDOWN ERROR |
| 50 DISPLAY CPU TYPE AND SPEED | DA EXTENDED BLOCK MOVE |
| 52 TEST KEYBOARD | DC SHUTDOWN 10 |
| 54 SET KEYCLICK IF ENABLED | 89 ENABLE NMI |
| 56 ENABLE KEYBOARD | 90 INIT. HDD CONTROLLER |
| 58 TEST FOR UNEXPECTED INTERRUPTS | 91 INIT. LOCAL BUS HDD CONTROLLER |
| 5A DISPLAY * PRESS SETUP* | 92 JUMP TO USER PATCH 2 |
| 5C TEST RAM BETWEEN 512K AND 640K | 94 DISABLE A20 ADDRESS LINE |
| 60 TEST EXTENDED MEMORY | 96 CLEAR HUGE ES SEGMENT REG. |
| 62 TEST EXTENDED MEMORY ADDRESS LINE | 98 SEARCH FOR OPTION ROMS |
| 64 JUMP TO USER PATCH 1 | |

DRAW MS YANG / Dany Lee	DATE 8/12/2006	TITLE OSL02	SAMSUNG ELECTRONICS
CHECK TH LEE	DEV. STEP MP	SPI_BIOS_ROM	
APPROVAL MK KIM	REV REV 1.1	SPI_BIOS_ROM	PART NO. BA41-00866A
MODULE CODE	LAST EDIT	May 15, 2008 08:19:32 AM	PAGE 1 OF 1

SAMSUNG PROPRIETARY

THIS DOCUMENT CONTAINS CONFIDENTIAL PROPRIETARY INFORMATION THAT IS SAMSUNG ELECTRONICS CO.'S PROPERTY. DO NOT DISCLOSE TO OR DUPLICATE FOR OTHERS EXCEPT AS AUTHORIZED BY SAMSUNG.



SAMSUNG PROPRIETARY

THIS DOCUMENT CONTAINS CONFIDENTIAL PROPRIETARY INFORMATION THAT IS SAMSUNG ELECTRONICS CO.'S PROPERTY. DO NOT DISCLOSE TO OR REPRODUCE FOR OTHERS EXCEPT AS AUTHORIZED BY SAMSUNG.

Table with 3 columns: Pin, Description, Activate. Lists GPIO pins 0-16 and their functions like DVI detect, TV detect, PWM Brightness control, etc.

Table with 4 columns: Strap option, Bit 3, Bit 2, Bit 1, Bit 0. Lists strap options like ROM_SO, ROM_SCLK, ROM_SI, STRAP1, STRAP2, STRAP0 and their bit values.

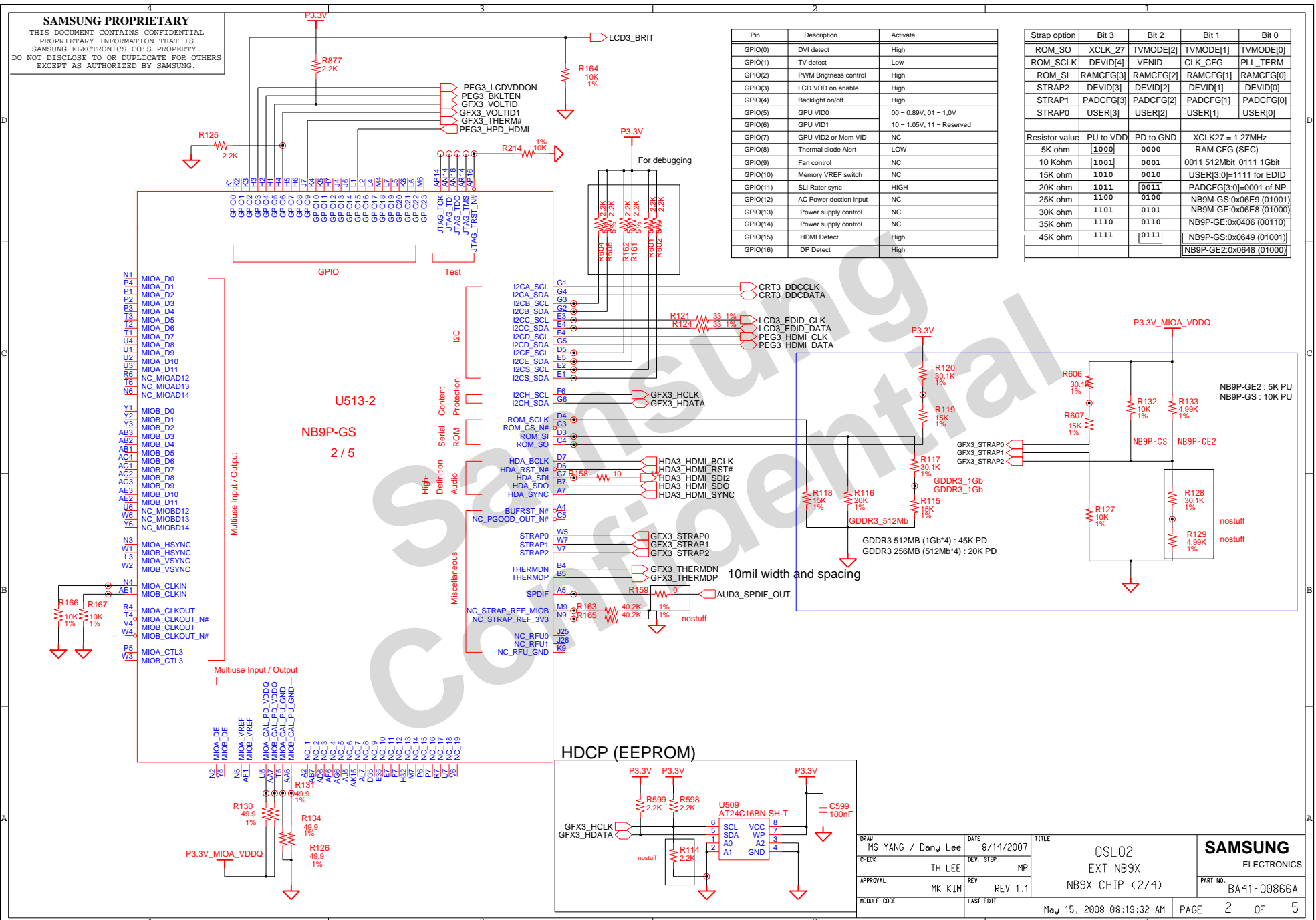


Table with 3 columns: Pin, Description, Activate. Lists CRT3_DDCCLK, CRT3_DDCDATA, LCD3_EDID_CLK, LCD3_EDID_DATA, PEG3_HDMI_CLK, PEG3_HDMI_DATA.

Table with 3 columns: Pin, Description, Activate. Lists GFX3_HCLK, GFX3_HDATA, HDA3_HDMI_BCLK, HDA3_HDMI_RST#, HDA3_HDMI_SDI2, HDA3_HDMI_SDO, HDA3_HDMI_SYNC.

Table with 3 columns: Pin, Description, Activate. Lists STRAP0, STRAP1, STRAP2, GFX3_STRAP0, GFX3_STRAP1, GFX3_STRAP2.

Table with 3 columns: Pin, Description, Activate. Lists GFX3_THERM1N, GFX3_THERMP, AUD3_SPDIF_OUT.

Table with 3 columns: Pin, Description, Activate. Lists GDDR3_512Mb, GDDR3_1Gb, GDDR3_1Gb.

Table with 3 columns: Pin, Description, Activate. Lists GDDR3_512MB (1Gb*4) : 45K PD, GDDR3_256MB (512Mb*4) : 20K PD.

Table with 3 columns: Pin, Description, Activate. Lists GDDR3_512Mb, GDDR3_1Gb, GDDR3_1Gb.

Table with 3 columns: Pin, Description, Activate. Lists GDDR3_512Mb, GDDR3_1Gb, GDDR3_1Gb.

Table with 3 columns: Pin, Description, Activate. Lists GDDR3_512Mb, GDDR3_1Gb, GDDR3_1Gb.

Table with 3 columns: Pin, Description, Activate. Lists GDDR3_512Mb, GDDR3_1Gb, GDDR3_1Gb.

Table with 3 columns: Pin, Description, Activate. Lists GDDR3_512Mb, GDDR3_1Gb, GDDR3_1Gb.

Table with 3 columns: Pin, Description, Activate. Lists GDDR3_512Mb, GDDR3_1Gb, GDDR3_1Gb.

Table with 3 columns: Pin, Description, Activate. Lists GDDR3_512Mb, GDDR3_1Gb, GDDR3_1Gb.

Table with 3 columns: Pin, Description, Activate. Lists GDDR3_512Mb, GDDR3_1Gb, GDDR3_1Gb.

Table with 3 columns: Pin, Description, Activate. Lists GDDR3_512Mb, GDDR3_1Gb, GDDR3_1Gb.

Table with 3 columns: Pin, Description, Activate. Lists GDDR3_512Mb, GDDR3_1Gb, GDDR3_1Gb.

Table with 3 columns: Pin, Description, Activate. Lists GDDR3_512Mb, GDDR3_1Gb, GDDR3_1Gb.

Table with 3 columns: Pin, Description, Activate. Lists GDDR3_512Mb, GDDR3_1Gb, GDDR3_1Gb.

Table with 3 columns: Pin, Description, Activate. Lists GDDR3_512Mb, GDDR3_1Gb, GDDR3_1Gb.

Table with 3 columns: Pin, Description, Activate. Lists GDDR3_512Mb, GDDR3_1Gb, GDDR3_1Gb.

Table with 3 columns: Pin, Description, Activate. Lists GDDR3_512Mb, GDDR3_1Gb, GDDR3_1Gb.

Table with 3 columns: Pin, Description, Activate. Lists GDDR3_512Mb, GDDR3_1Gb, GDDR3_1Gb.

Table with 3 columns: Pin, Description, Activate. Lists GDDR3_512Mb, GDDR3_1Gb, GDDR3_1Gb.

Table with 3 columns: Pin, Description, Activate. Lists GDDR3_512Mb, GDDR3_1Gb, GDDR3_1Gb.

Table with 3 columns: Pin, Description, Activate. Lists GDDR3_512Mb, GDDR3_1Gb, GDDR3_1Gb.

Table with 3 columns: Pin, Description, Activate. Lists GDDR3_512Mb, GDDR3_1Gb, GDDR3_1Gb.

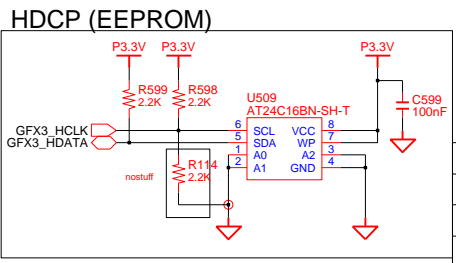
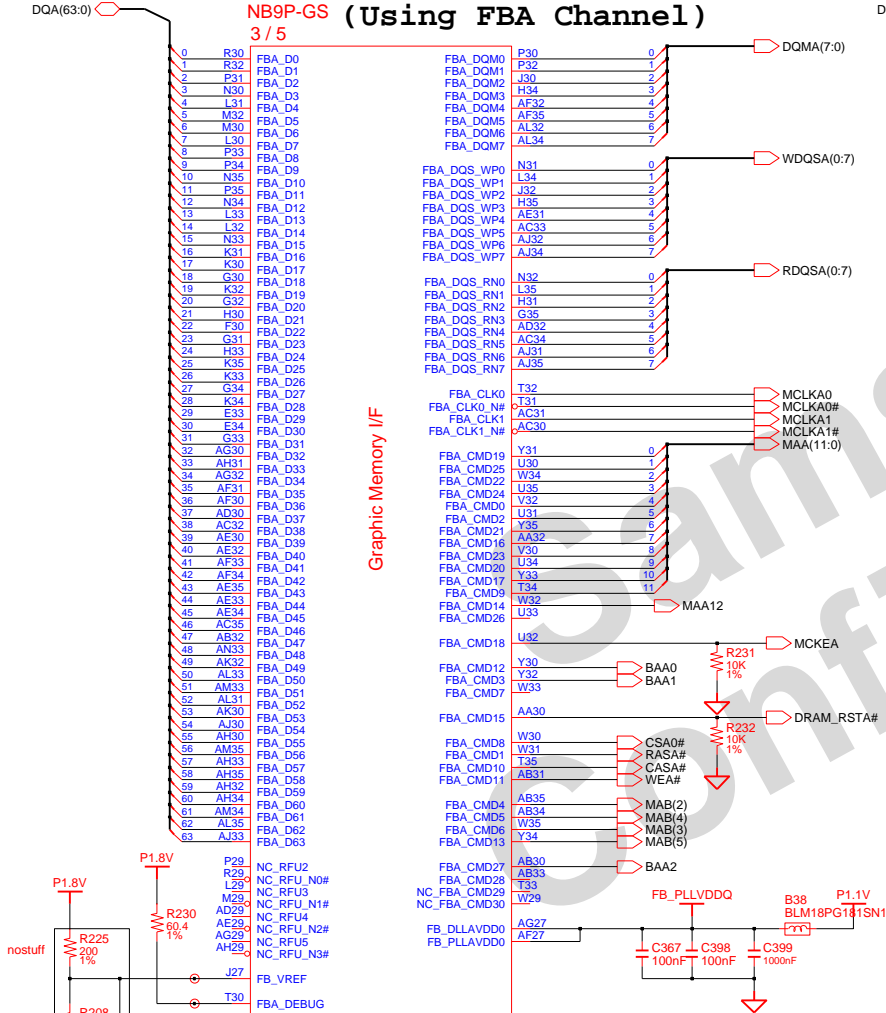


Table with columns: DRAW, CHECK, APPROVAL, MODULE CODE, DATE, DEV. STEP, REV, LAST EDIT, TITLE, OSLO2 EXT NB9X NB9X CHIP (2/4), PART NO. BA41-00866A, and page information (PAGE 2 OF 5).

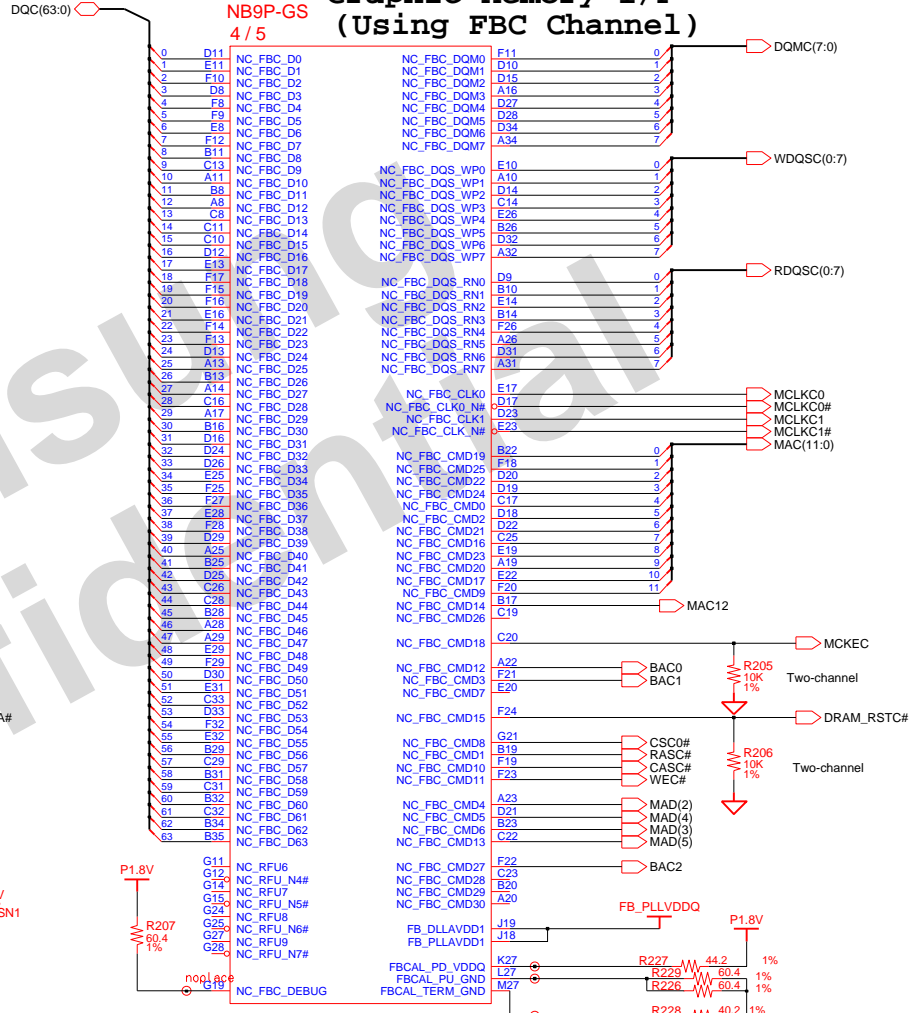
SAMSUNG PROPRIETARY

THIS DOCUMENT CONTAINS CONFIDENTIAL PROPRIETARY INFORMATION THAT IS SAMSUNG ELECTRONICS CO.'S PROPERTY. DO NOT DISCLOSE TO OR DUPLICATE FOR OTHERS EXCEPT AS AUTHORIZED BY SAMSUNG.

U513-3 Graphic Memory I/F
NB9P-GS (Using FBA Channel)
3/5



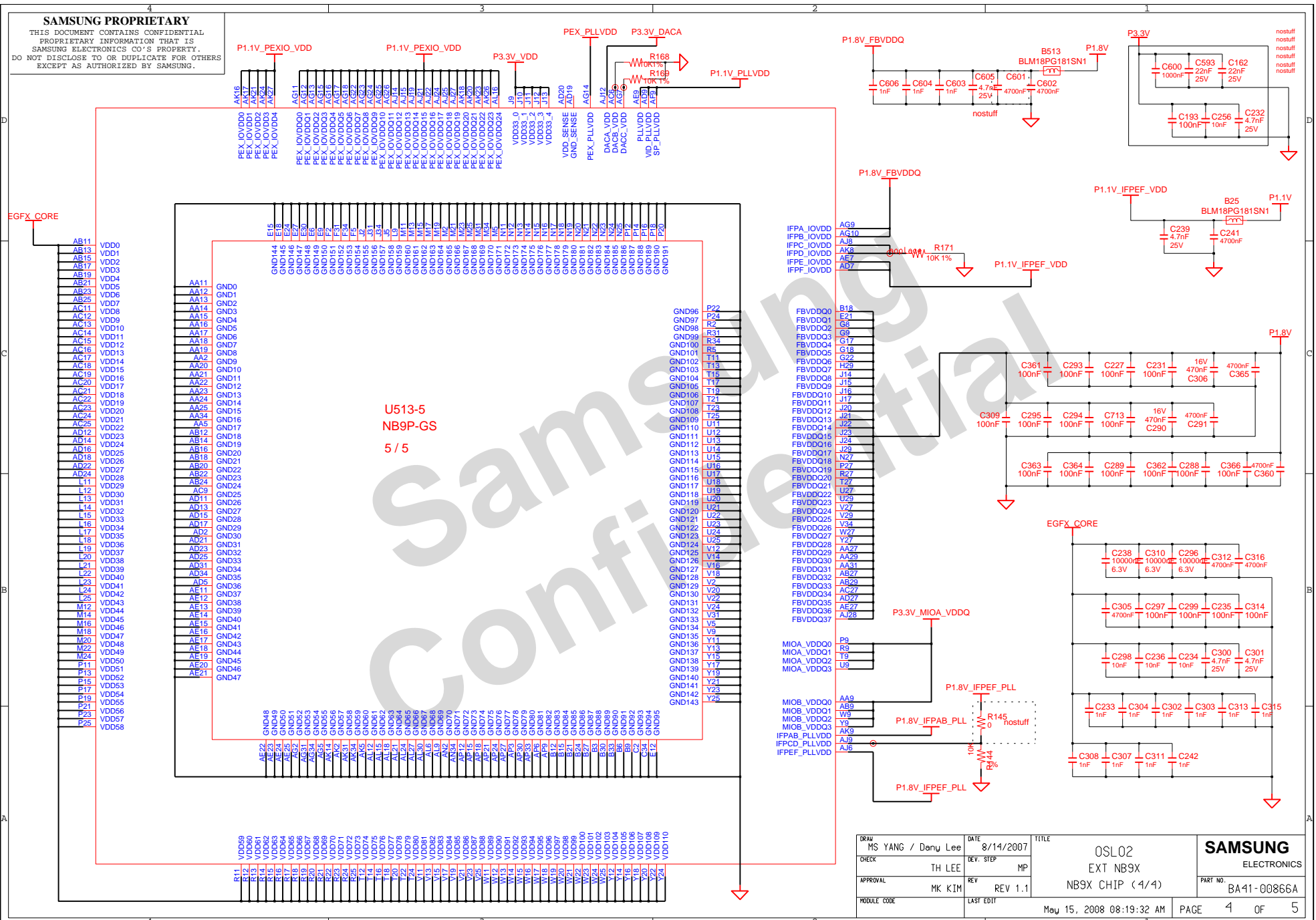
U513-4 Graphic Memory I/F
NB9P-GS (Using FBC Channel)
4/5



DRAW	MS YANG / Dany Lee	DATE	8/14/2007	TITLE	OSL02	SAMSUNG ELECTRONICS	
CHECK		DEV. STEP	MP		EXT NB9X		
APPROVAL	MK KIM	REV	1.1		NB9X CHIP (3/4)	PART NO. BA41-00866A	
MODULE CODE		LAST EDIT				May 15, 2008 08:19:32 AM	
						PAGE	3 OF 5

SAMSUNG PROPRIETARY

THIS DOCUMENT CONTAINS CONFIDENTIAL PROPRIETARY INFORMATION THAT IS SAMSUNG ELECTRONICS CO.'S PROPERTY. DO NOT DISCLOSE TO OR DUPLICATE FOR OTHERS EXCEPT AS AUTHORIZED BY SAMSUNG.



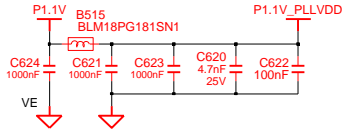
U513-5
NB9P-GS
5 / 5

DRAW	MS YANG / Dany Lee	DATE	8/14/2007	TITLE	OSL02 EXT NB9X NB9X CHIP (4/4)	SAMSUNG ELECTRONICS PART NO. BA41-00866A
CHECK	TH LEE	REV. STEP	MP	APPROVAL	MK KIM	
MODULE CODE		REV	REV 1.1	LAST EDIT		May 15, 2008 08:19:32 AM PAGE 4 OF 5

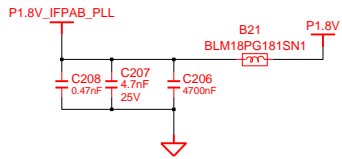
SAMSUNG PROPRIETARY

THIS DOCUMENT CONTAINS CONFIDENTIAL PROPRIETARY INFORMATION THAT IS SAMSUNG ELECTRONICS CO.'S PROPERTY. DO NOT DISCLOSE TO OR DUPLICATE FOR OTHERS EXCEPT AS AUTHORIZED BY SAMSUNG.

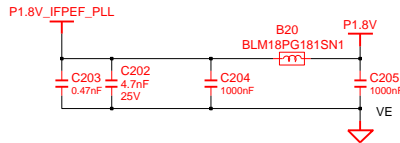
PLL_VDD



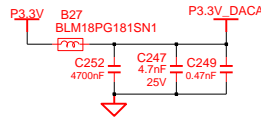
IFPAB_PLLVDD



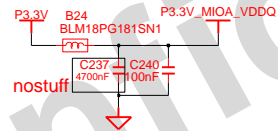
IFPEF_PLLVDD



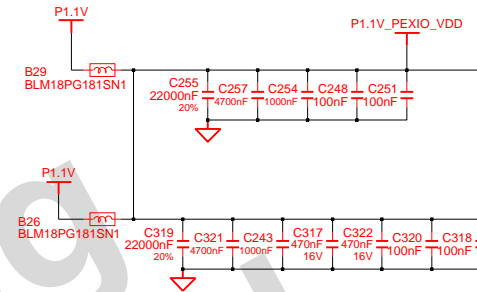
DACA/B/C



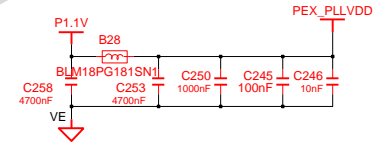
MIOA/B_VDDQ



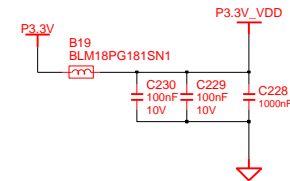
PEX_IOVDD (w PEX_IOVDDQ)



PEX_PLL_VDD



3.3V_VDD



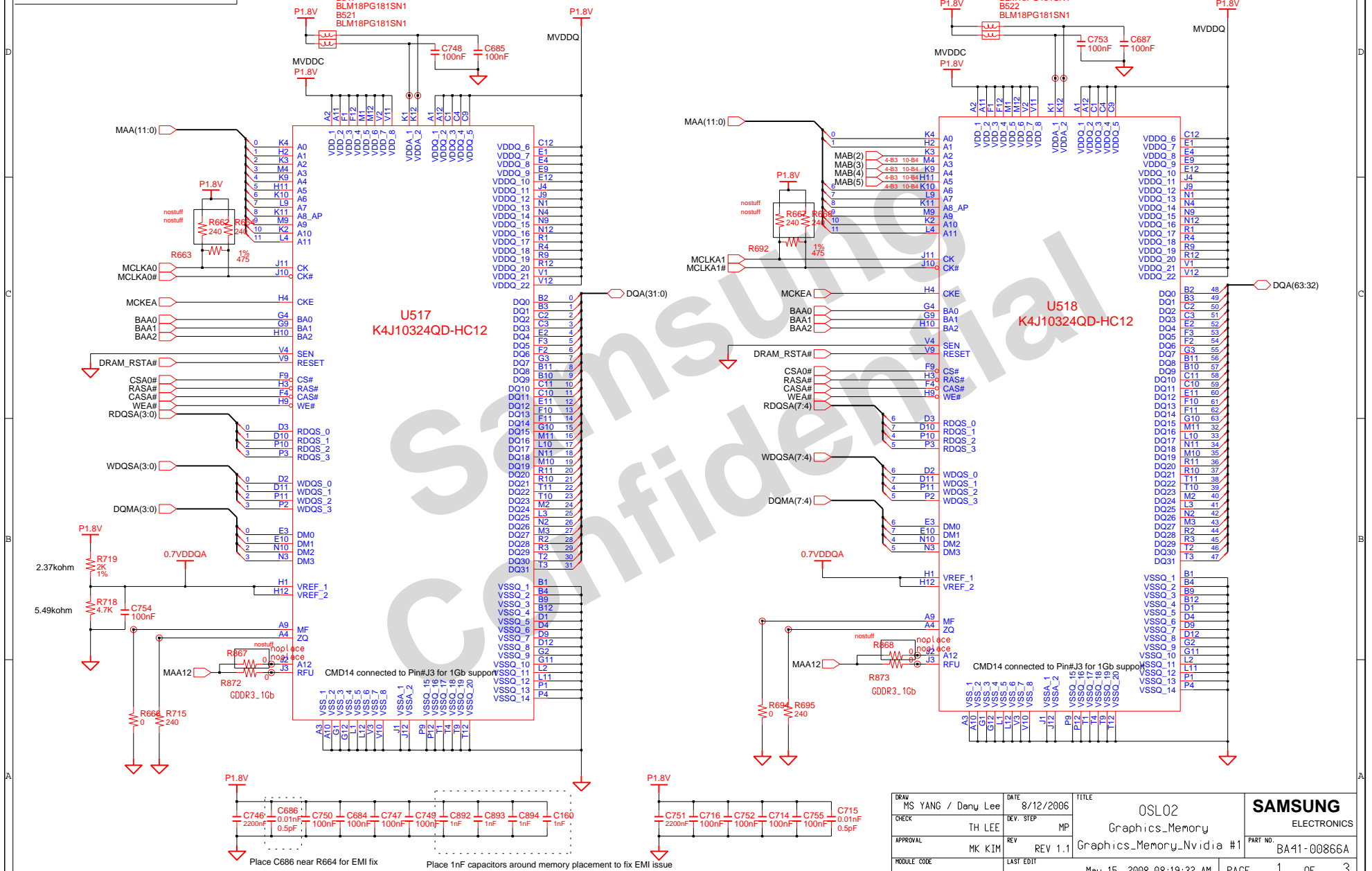
DRAW MS YANG / Dony Lee	DATE 8/14/2007	TITLE OSL02 EXT NB9X NB9X POWER RAIL	SAMSUNG ELECTRONICS PART NO. BA11-00866A
CHECK TH LEE	DEV. STEP MP		
APPROVAL MK KIM	REV REV 1.1		
MODULE CODE	LAST EDIT	May 15, 2008 08:19:32 AM	PAGE 5 OF 5

Samsung
Confidential

SAMSUNG PROPRIETARY

THIS DOCUMENT CONTAINS CONFIDENTIAL PROPRIETARY INFORMATION THAT IS SAMSUNG ELECTRONICS CO.'S PROPERTY. DO NOT DISCLOSE TO OR DUPLICATE FOR OTHERS EXCEPT AS AUTHORIZED BY SAMSUNG.

A-channel



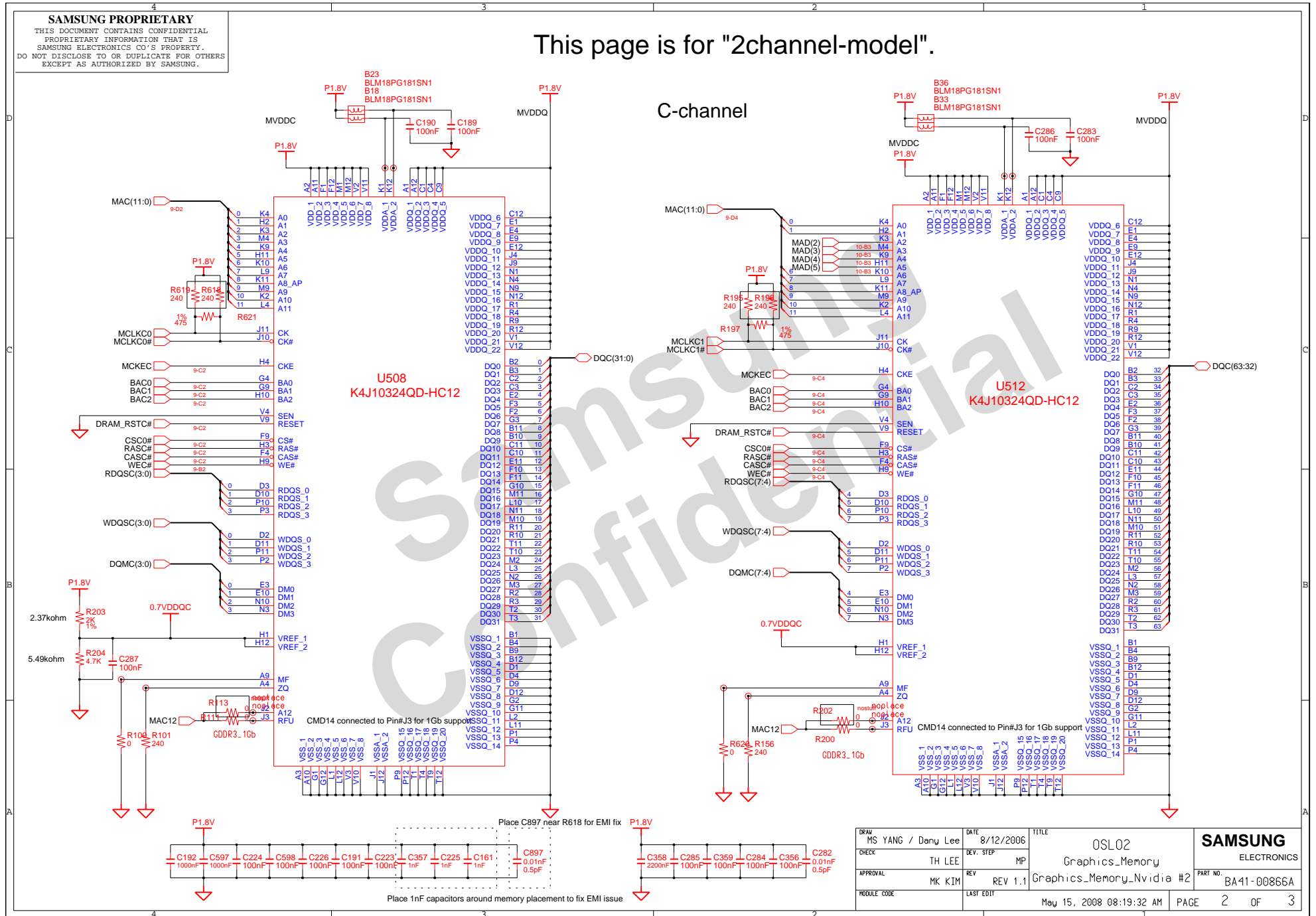
Place C686 near R664 for EMI fix
Place 1nF capacitors around memory placement to fix EMI issue

DRAW	MS YANG / Dany Lee	DATE	8/12/2006	TITLE	OSL02	SAMSUNG ELECTRONICS
CHECK	TH LEE	DEV. STEP	MP	Graphics_Memory		
APPROVAL	MK KIM	REV	REV 1.1	Graphics_Memory_Nvidia #1		PART NO. BA41-00866A
MODULE CODE		LAST EDIT		May 15, 2008 08:19:32 AM		PAGE 1 OF 3

SAMSUNG PROPRIETARY

THIS DOCUMENT CONTAINS CONFIDENTIAL PROPRIETARY INFORMATION THAT IS SAMSUNG ELECTRONICS CO.'S PROPERTY. DO NOT DISCLOSE TO OR DUPLICATE FOR OTHERS EXCEPT AS AUTHORIZED BY SAMSUNG.

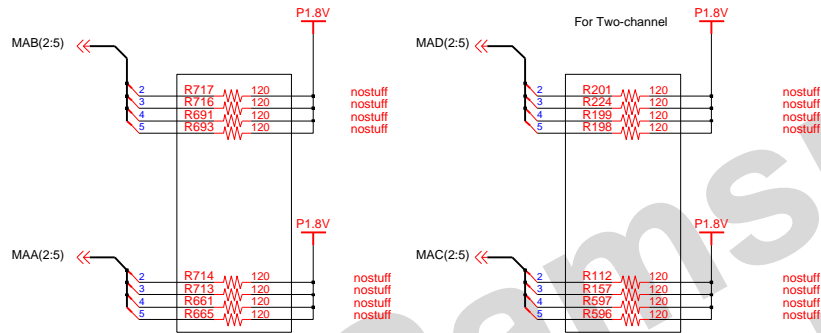
This page is for "2channel-model".



DRAW	MS YANG / Dany Lee	DATE	8/12/2006	TITLE	OSL02	SAMSUNG ELECTRONICS
CHECK		DEV. STEP	MP	Graphics_Memory		
APPROVAL	MK KIM	REV	REV 1.1	Graphics_Memory_Nvidia #2		PART NO. BA41-00866A
MODULE CODE		LAST EDIT		May 15, 2008 08:19:32 AM	PAGE	2 OF 3

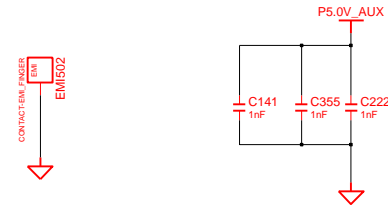
SAMSUNG PROPRIETARY

THIS DOCUMENT CONTAINS CONFIDENTIAL
 PROPRIETARY INFORMATION THAT IS
 SAMSUNG ELECTRONICS CO.'S PROPERTY.
 DO NOT DISCLOSE TO OR DUPLICATE FOR OTHERS
 EXCEPT AS AUTHORIZED BY SAMSUNG.



EMI solution @ OSLO2

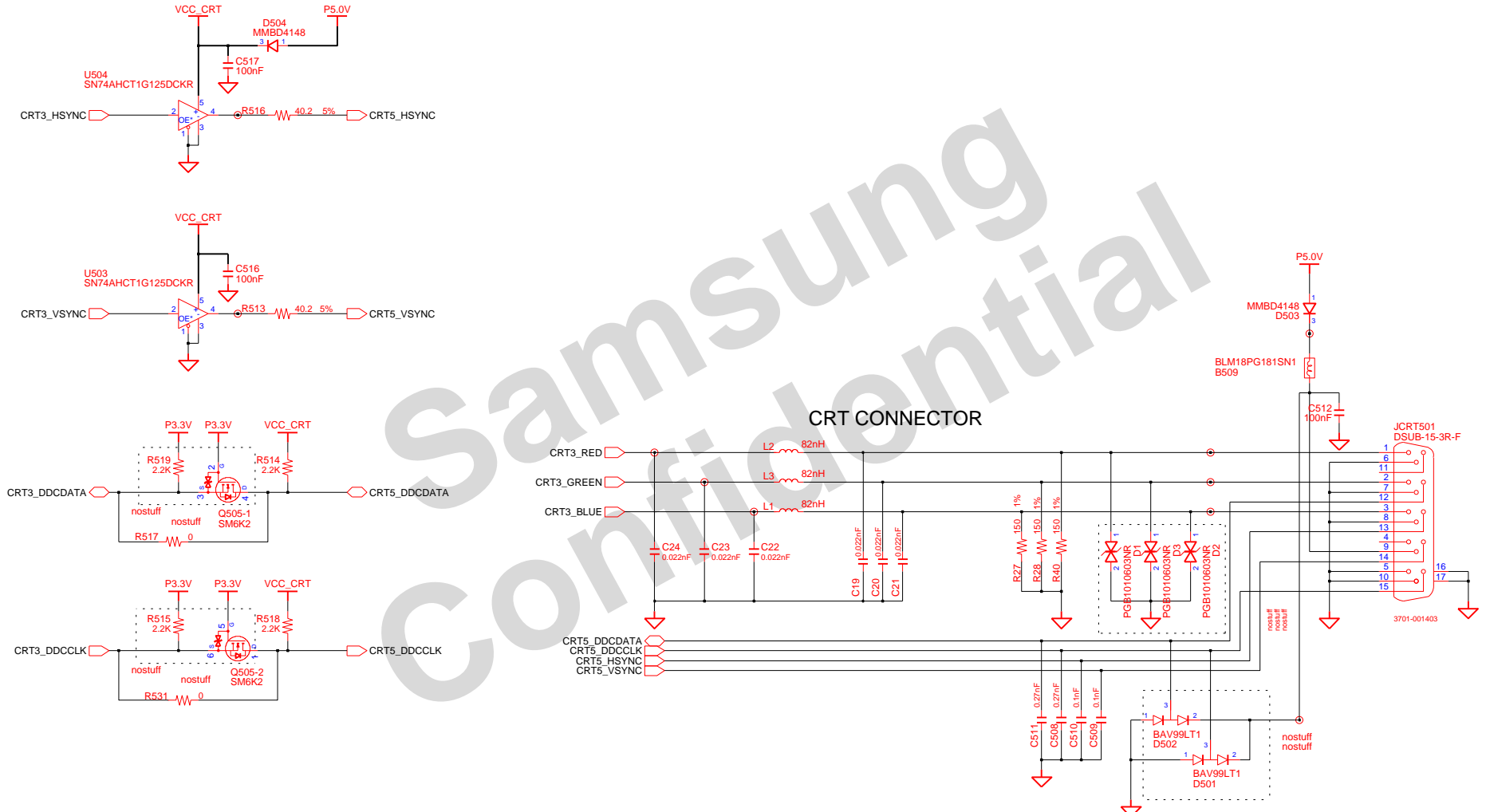
Place three 1nF capacitor around C-channel component



DRAW MS YANG / Dony Lee	DATE 8/12/2006	TITLE OSLO2	SAMSUNG ELECTRONICS
CHECK TH LEE	DEV. STEP MP	Graphics_Memory	
APPROVAL MK KIM	REV REV 1.1	Graphics_Memory_Nvidia #3	PART NO. BA11-00866A
MODULE CODE	LAST EDIT	May 15, 2008 08:19:32 AM	PAGE 3 OF 3

SAMSUNG PROPRIETARY

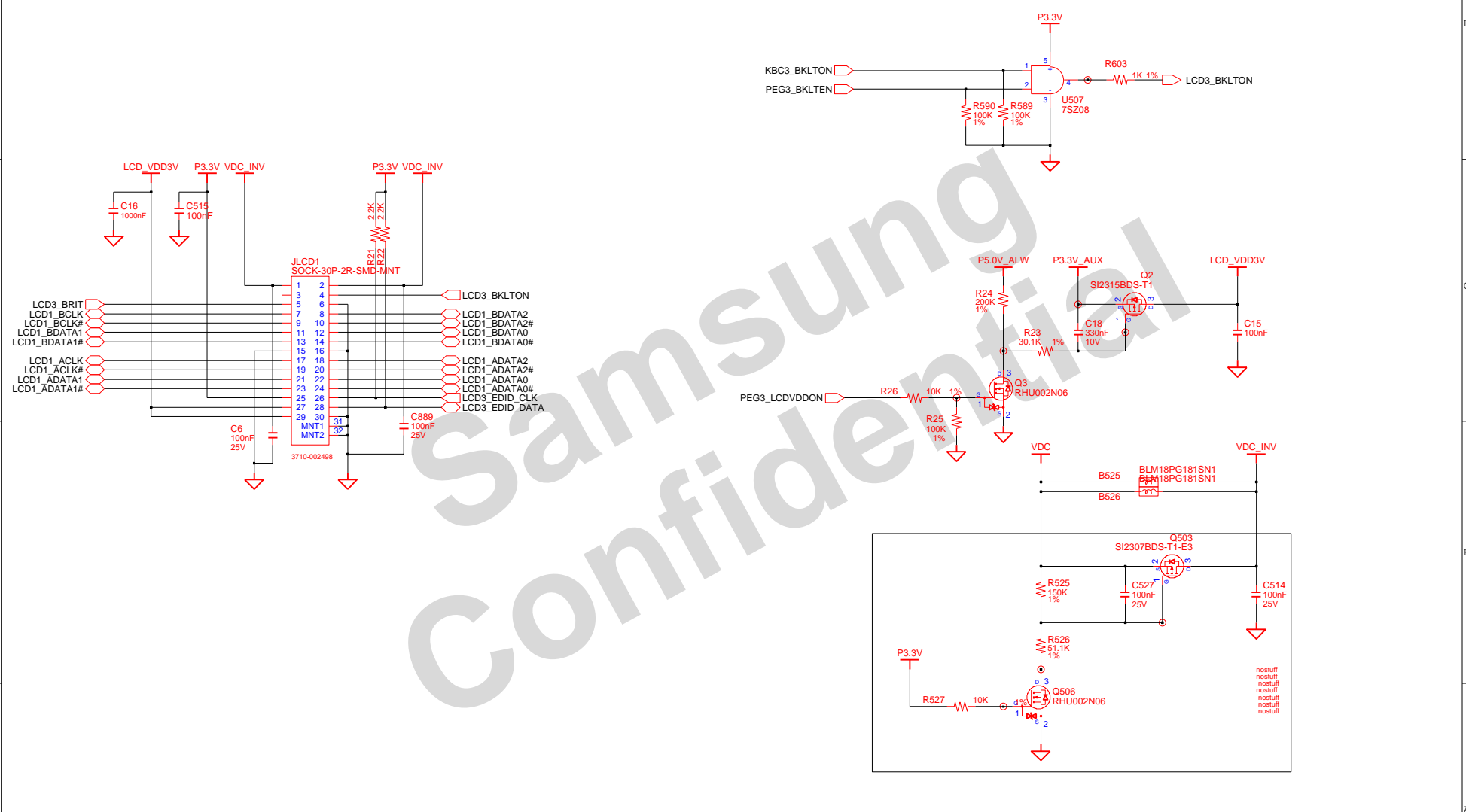
THIS DOCUMENT CONTAINS CONFIDENTIAL PROPRIETARY INFORMATION THAT IS SAMSUNG ELECTRONICS CO.'S PROPERTY. DO NOT DISCLOSE TO OR DUPLICATE FOR OTHERS EXCEPT AS AUTHORIZED BY SAMSUNG.



DRAW MS YANG / Dany Lee	DATE 8/12/2006	TITLE OSL02	SAMSUNG ELECTRONICS
CHECK TH LEE	DEV. STEP MP	Interface_Circuit	
APPROVAL MK KIM	REV REV 1.1	Graphics_IF_CRT	PART NO. BA11-00866A
MODULE CODE	LAST EDIT	May 15, 2008 08:19:32 AM	PAGE 1 OF 3

SAMSUNG PROPRIETARY

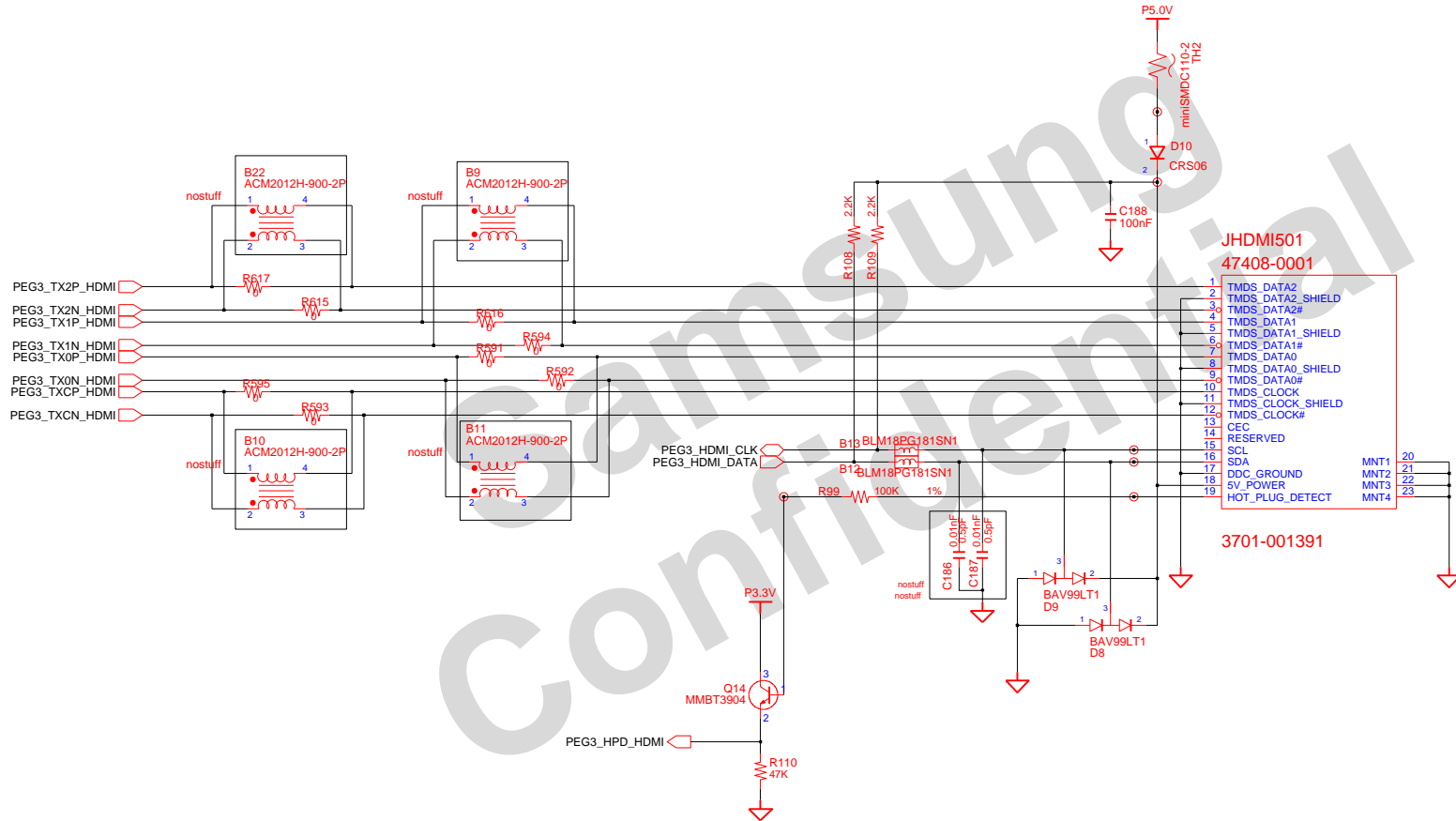
THIS DOCUMENT CONTAINS CONFIDENTIAL PROPRIETARY INFORMATION THAT IS SAMSUNG ELECTRONICS CO.'S PROPERTY. DO NOT DISCLOSE TO OR DUPLICATE FOR OTHERS EXCEPT AS AUTHORIZED BY SAMSUNG.



DRAW MS YANG / Dany Lee	DATE 8/17/2007	TITLE OSL02 UNDEF INED	SAMSUNG ELECTRONICS
CHECK TH LEE	DEV. STEP MP	PART NO. BA11-00866A	
APPROVAL MK KIM	REV REV 1.1	May 15, 2008 08:19:32 AM	PAGE 12undef ined
MODULE CODE	LAST EDIT		

SAMSUNG PROPRIETARY

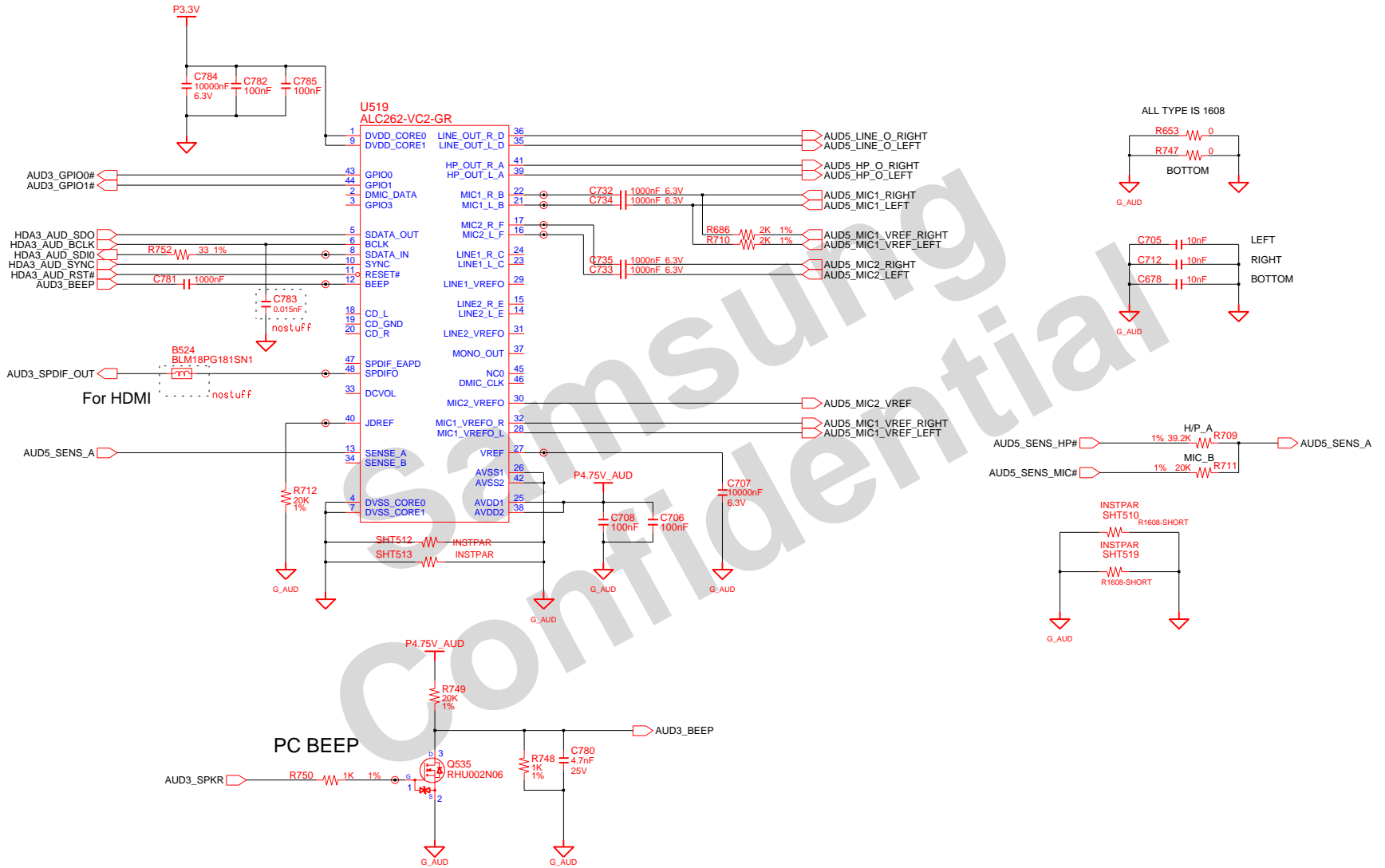
THIS DOCUMENT CONTAINS CONFIDENTIAL PROPRIETARY INFORMATION THAT IS SAMSUNG ELECTRONICS CO.'S PROPERTY. DO NOT DISCLOSE TO OR DUPLICATE FOR OTHERS EXCEPT AS AUTHORIZED BY SAMSUNG.



DRAW MS YANG / Dany Lee	DATE 8/17/2007	TITLE OSL02 UNDEFINED	SAMSUNG ELECTRONICS
CHECK TH LEE	DEV. STEP MP	PART NO. BA11-00866A	
APPROVAL MK KIM	REV REV 1.1	May 15, 2008 08:19:32 AM	PAGE 13 of 13
MODULE CODE	LAST EDIT		

SAMSUNG PROPRIETARY

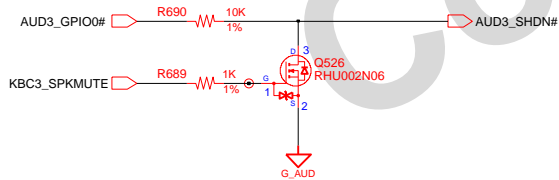
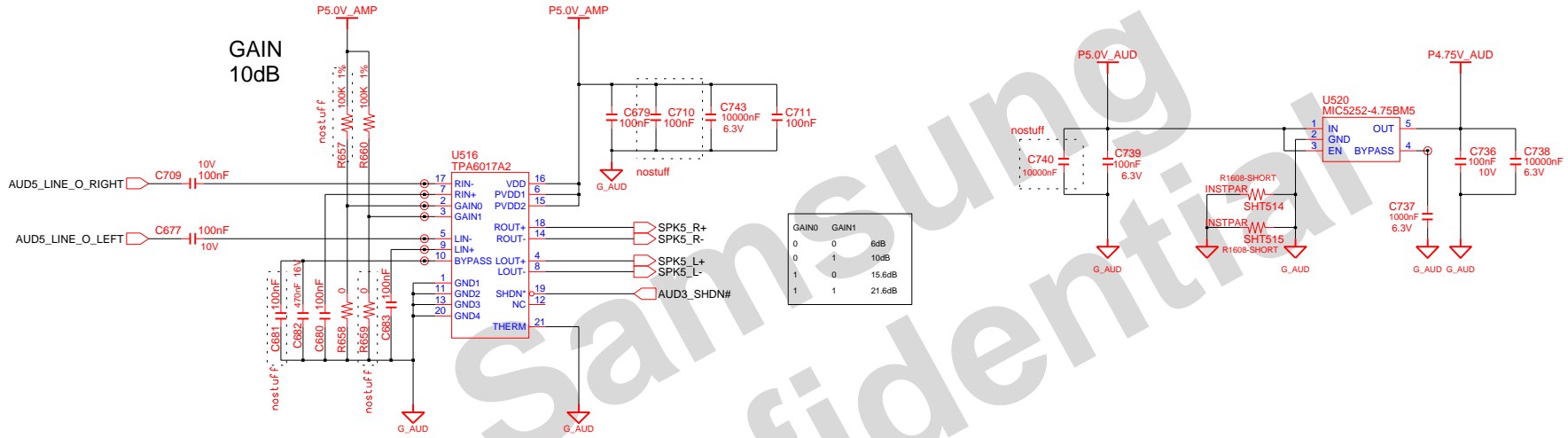
THIS DOCUMENT CONTAINS CONFIDENTIAL PROPRIETARY INFORMATION THAT IS SAMSUNG ELECTRONICS CO.'S PROPERTY. DO NOT DISCLOSE TO OR DUPLICATE FOR OTHERS EXCEPT AS AUTHORIZED BY SAMSUNG.



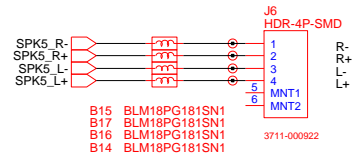
DRW MS YANG / Dany Lee	DATE 8/12/2006	TITLE OSL02	SAMSUNG ELECTRONICS
CHECK TH LEE	DEV. STEP MP	HDA_Codec_Alc262	
APPROVAL MK KIM	REV REV 1.1	HDA_Codec_Alc262 #1	PART NO. BA11-00866A
MODULE CODE undefined	LAST EDIT	May 15, 2008 08:19:32 AM	PAGE 1 OF 5

SAMSUNG PROPRIETARY

THIS DOCUMENT CONTAINS CONFIDENTIAL PROPRIETARY INFORMATION THAT IS SAMSUNG ELECTRONICS CO.'S PROPERTY. DO NOT DISCLOSE TO OR DUPLICATE FOR OTHERS EXCEPT AS AUTHORIZED BY SAMSUNG.



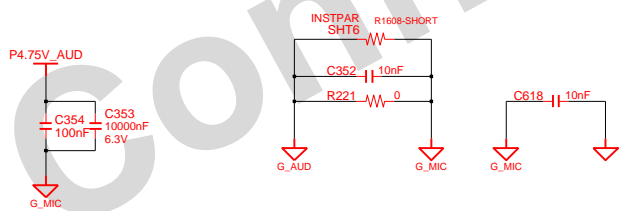
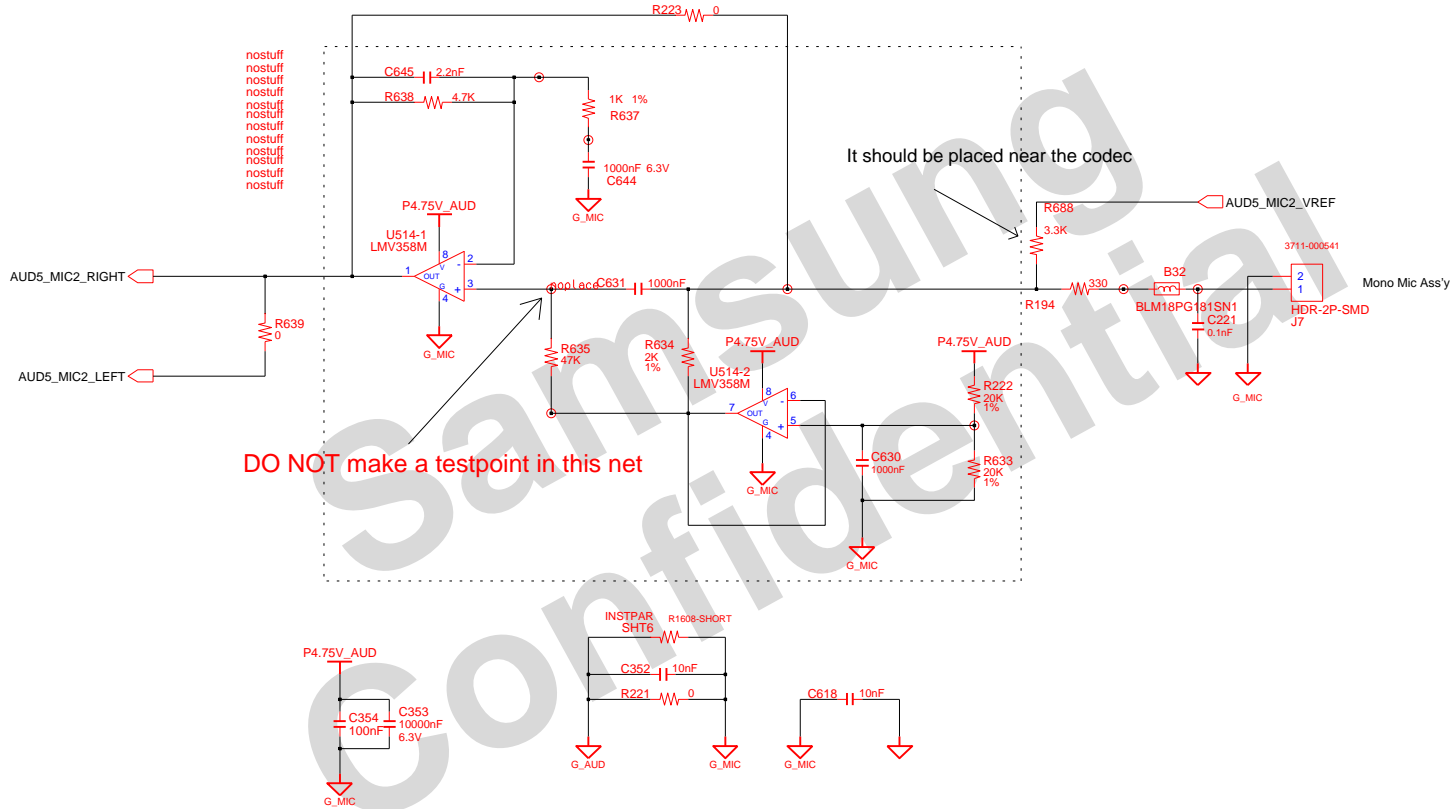
INTERNAL STEREO SPEAKERS



DRAW MS YANG / Dany Lee	DATE 8/12/2006	TITLE OSL02	SAMSUNG ELECTRONICS
CHECK TH LEE	DEV. STEP MP	HDA_Codec_Alc262	
APPROVAL MK KIM	REV REV 1.1	HDA_Codec_Alc262 #2	PART NO. BA11-00866A
MODULE CODE	LAST EDIT	May 15, 2008 08:19:32 AM	PAGE 2 OF 5

SAMSUNG PROPRIETARY

THIS DOCUMENT CONTAINS CONFIDENTIAL PROPRIETARY INFORMATION THAT IS SAMSUNG ELECTRONICS CO.'S PROPERTY. DO NOT DISCLOSE TO OR DUPLICATE FOR OTHERS EXCEPT AS AUTHORIZED BY SAMSUNG.

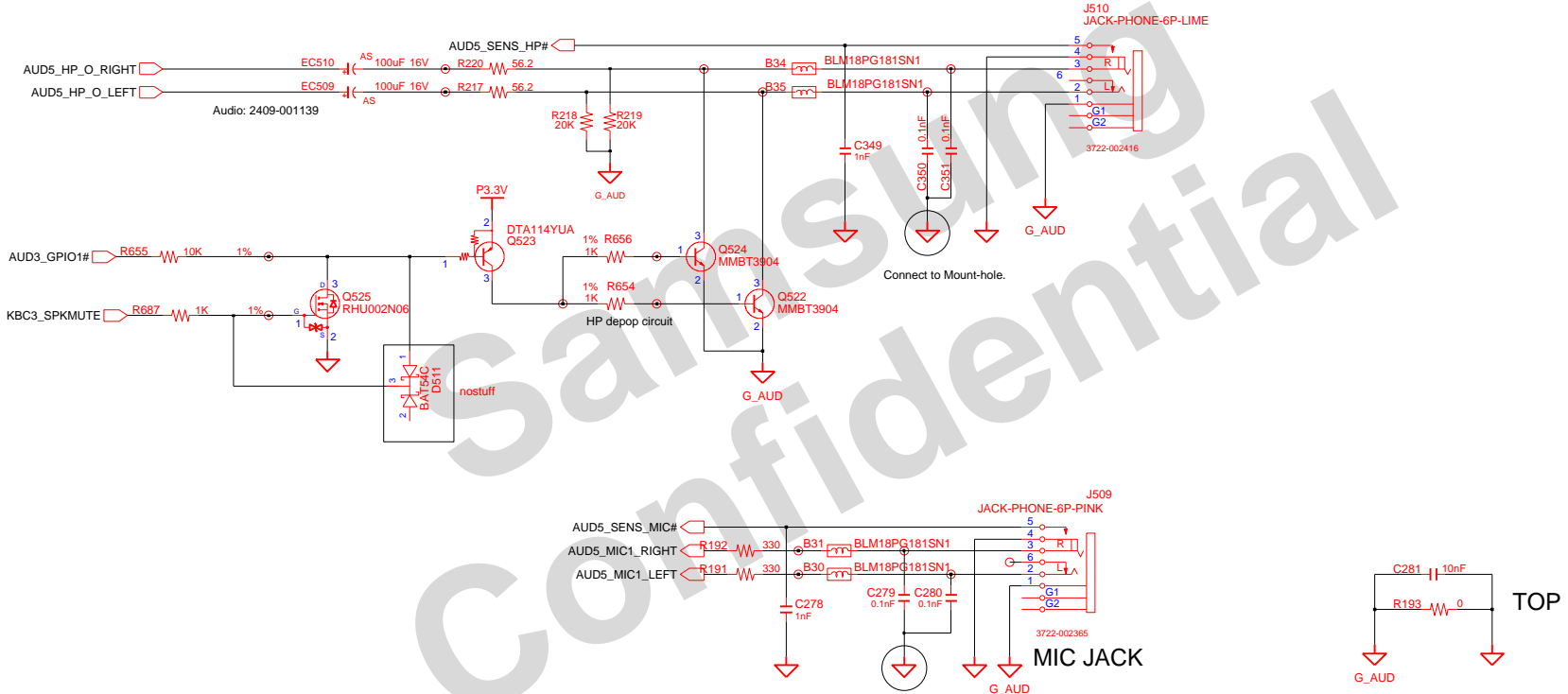


DRW MS YANG / Dany Lee	DATE 8/12/2006	TITLE OSL02	SAMSUNG ELECTRONICS
CHECK TH LEE	DEV. STEP MP	HDA_Codec_Alc262	
APPROVAL MK KIM	REV REV 1.1	HDA_Codec_Alc262 #3	PART NO. BA11-00866A
MODULE CODE undefined	LAST EDIT	May 15, 2008 08:19:32 AM	PAGE 3 OF 5

SAMSUNG PROPRIETARY

THIS DOCUMENT CONTAINS CONFIDENTIAL PROPRIETARY INFORMATION THAT IS SAMSUNG ELECTRONICS CO.'S PROPERTY. DO NOT DISCLOSE TO OR DUPLICATE FOR OTHERS EXCEPT AS AUTHORIZED BY SAMSUNG.

HEADPHONE



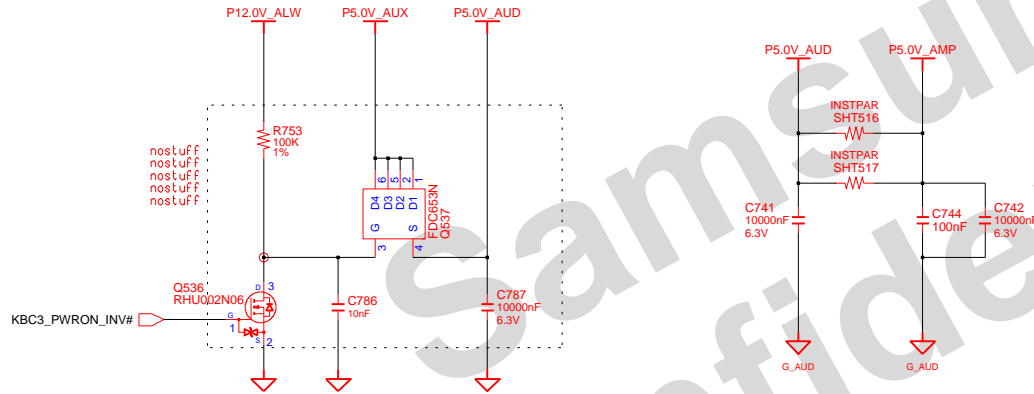
The traces led to Audio Jacks have the width over 10mil

DRW MS YANG / Dany Lee	DATE 8/12/2006	TITLE OSL02	SAMSUNG ELECTRONICS
CHECK TH LEE	DEV. STEP MP	HDA_Codec_Alc262	
APPROVAL MK KIM	REV REV 1.1	HDA_Codec_Alc262 #4	PART NO. BA11-00866A
MODULE CODE	LAST EDIT	May 15, 2008 08:19:32 AM	PAGE 4 OF 5

SAMSUNG PROPRIETARY

THIS DOCUMENT CONTAINS CONFIDENTIAL
 PROPRIETARY INFORMATION THAT IS
 SAMSUNG ELECTRONICS CO.'S PROPERTY.
 DO NOT DISCLOSE TO OR DUPLICATE FOR OTHERS
 EXCEPT AS AUTHORIZED BY SAMSUNG.

AUDIO POWER

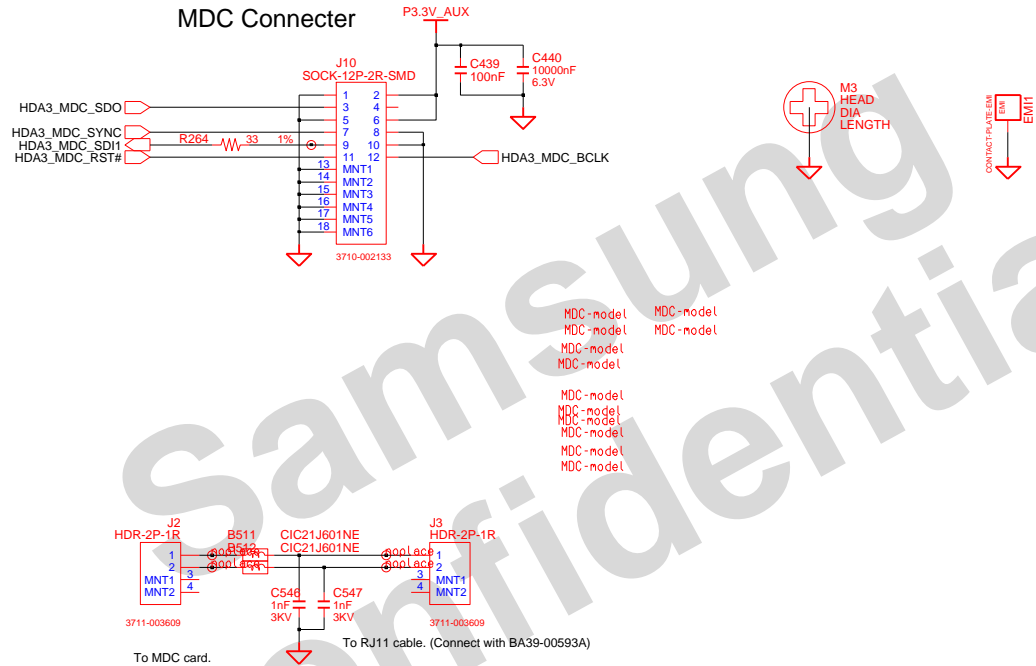


Samsung
Confidential

DRAW MS YANG / Dany Lee	DATE 8/12/2006	TITLE OSL02	SAMSUNG ELECTRONICS
CHECK TH LEE	DEV. STEP MP	HDA_Codec_Alc262	
APPROVAL MK KIM	REV REV 1.1	HDA_Codec_Alc262 #5	PART NO. BA11-00866A
MODULE CODE undefined	LAST EDIT	May 15, 2008 08:19:32 AM	PAGE 5 OF 5

SAMSUNG PROPRIETARY

THIS DOCUMENT CONTAINS CONFIDENTIAL
 PROPRIETARY INFORMATION THAT IS
 SAMSUNG ELECTRONICS CO.'S PROPERTY.
 DO NOT DISCLOSE TO OR DUPLICATE FOR OTHERS
 EXCEPT AS AUTHORIZED BY SAMSUNG.



MDC-model
 MDC-model
 MDC-model
 MDC-model
 MDC-model
 MDC-model
 MDC-model
 MDC-model
 MDC-model

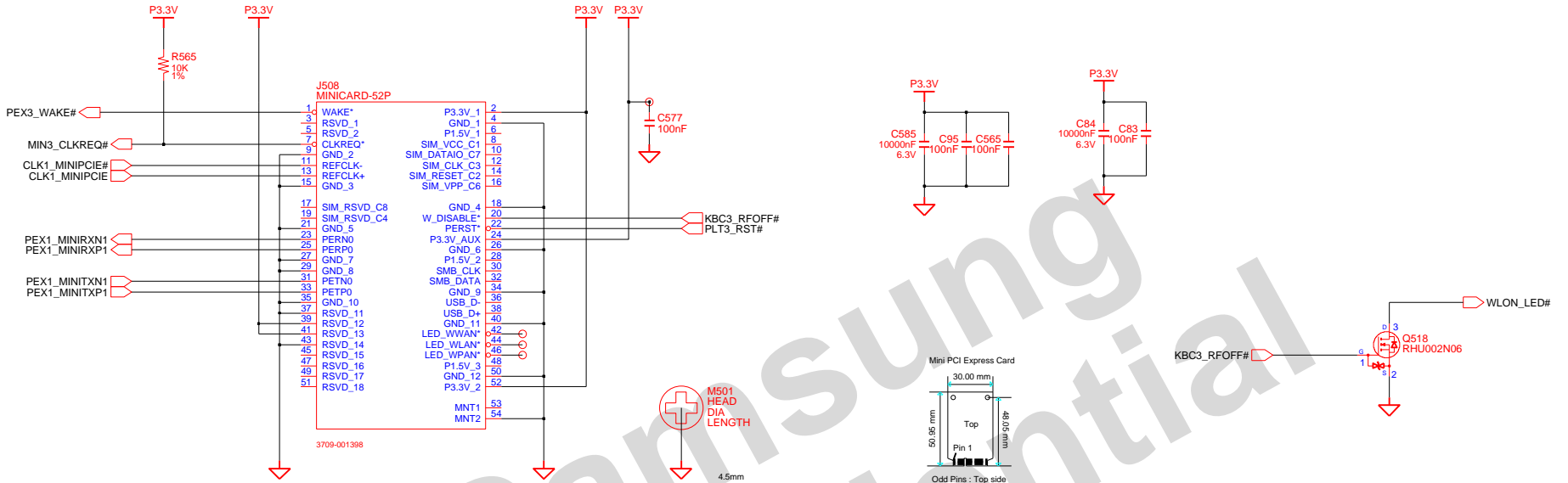


DRAW MS YANG / Dany Lee	DATE 8/12/2006	TITLE OSL02	SAMSUNG ELECTRONICS
CHECK TH LEE	DEV. STEP MP	HDA_Modem	
APPROVAL MK KIM	REV REV 1.1	HDA_Modem	PART NO. BA11-00866A
MODULE CODE	LAST EDIT	May 15, 2008 08:19:32 AM	PAGE 1 OF 1

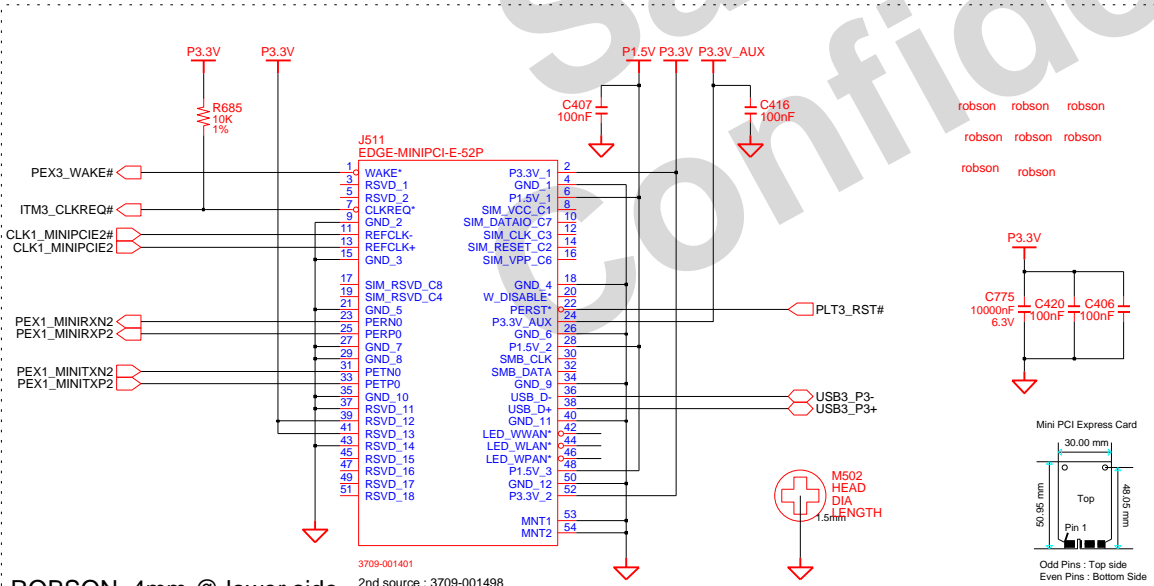
SAMSUNG PROPRIETARY

THIS DOCUMENT CONTAINS CONFIDENTIAL PROPRIETARY INFORMATION THAT IS SAMSUNG ELECTRONICS CO.'S PROPERTY. DO NOT DISCLOSE TO OR DUPLICATE FOR OTHERS EXCEPT AS AUTHORIZED BY SAMSUNG.

WLAN, 7mm @ Upper side



To fix Shirley Peak EMI issue Place it at the old rubber area



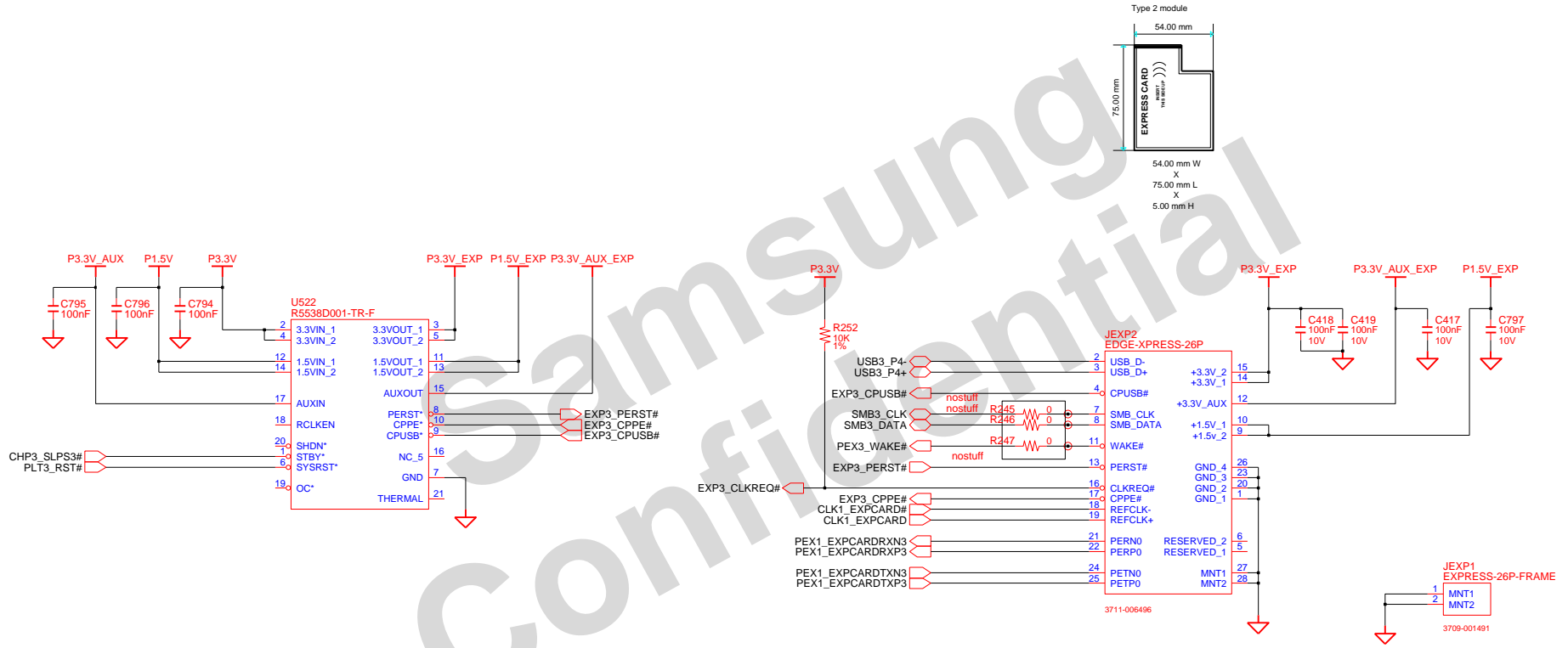
ROBSON, 4mm @ lower side

2nd source : 3709-001498

DRAW	MS YANG / Dany Lee	DATE	8/12/2006	TITLE	OSL02	SAMSUNG ELECTRONICS
CHECK	TH LEE	DEV. STEP	MP	PCIE_Minicard_Slot		
APPROVAL	MK KIM	REV	REV 1.1	PCIE_Minicard_Slot		PART NO. BA41-00866A
MODULE CODE	undefined	LAST EDIT		May 15, 2008 08:19:32 AM		PAGE 1 OF 1

SAMSUNG PROPRIETARY

THIS DOCUMENT CONTAINS CONFIDENTIAL PROPRIETARY INFORMATION THAT IS SAMSUNG ELECTRONICS CO.'S PROPERTY. DO NOT DISCLOSE TO OR DUPLICATE FOR OTHERS EXCEPT AS AUTHORIZED BY SAMSUNG.

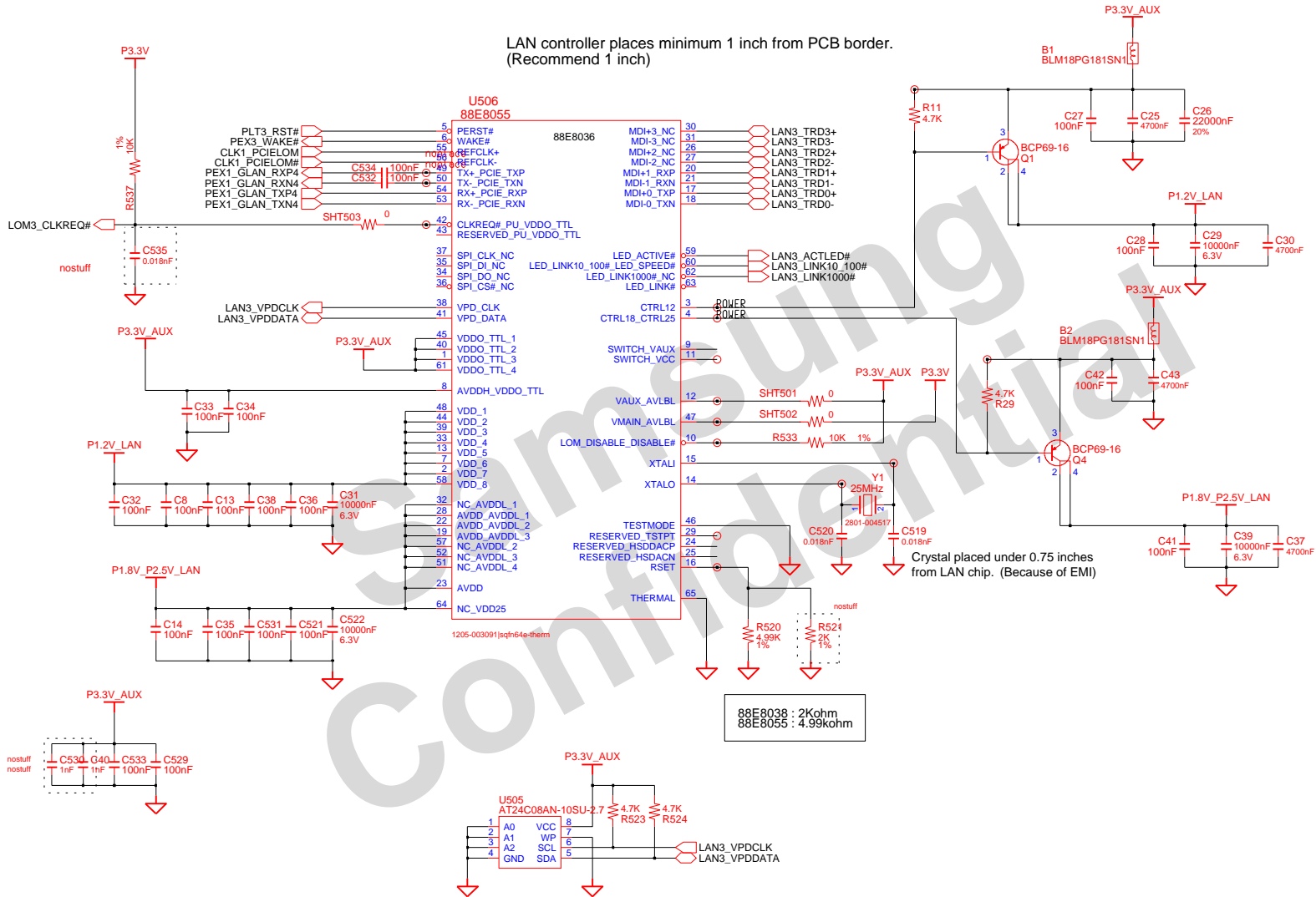


DRAW MS YANG / Dany Lee	DATE	TITLE OSL02	SAMSUNG ELECTRONICS
CHECK TH LEE	DEV. STEP MP	PART NO. BA11-00866A	
APPROVAL MK KIM	REV REV 1.1	MODULE CODE undefined	PAGE OF
MODULE CODE undefined		LAST EDIT May 15, 2008 08:19:32 AM	PAGE OF

SAMSUNG PROPRIETARY

THIS DOCUMENT CONTAINS CONFIDENTIAL PROPRIETARY INFORMATION THAT IS SAMSUNG ELECTRONICS CO.'S PROPERTY. DO NOT DISCLOSE TO OR DUPLICATE FOR OTHERS EXCEPT AS AUTHORIZED BY SAMSUNG.

LAN controller places minimum 1 inch from PCB border. (Recommend 1 inch)



Crystal placed under 0.75 inches from LAN chip. (Because of EMI)

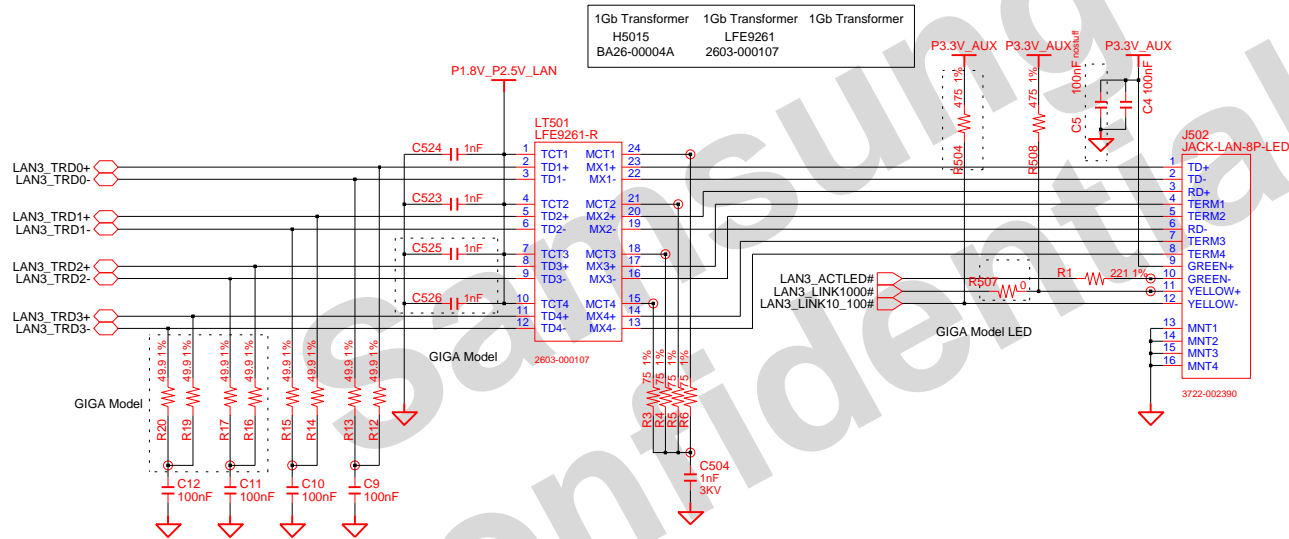
88E8038 : 2Kohm
88E8055 : 4.99kohm

DRW MS YANG / Dany Lee	DATE 8/12/2006	TITLE OSL02	SAMSUNG ELECTRONICS
CHECK TH LEE	DEV. STEP MP	LAN_Marvell_8055	
APPROVAL MK KIM	REV REV 1.1	LAN_Marvell_8055	PART NO. BA11-00866A
MODULE CODE	LAST EDIT	May 15, 2008 08:19:32 AM	PAGE 1 OF 2

SAMSUNG PROPRIETARY

THIS DOCUMENT CONTAINS CONFIDENTIAL
 PROPRIETARY INFORMATION THAT IS
 SAMSUNG ELECTRONICS CO.'S PROPERTY.
 DO NOT DISCLOSE TO OR DUPLICATE FOR OTHERS
 EXCEPT AS AUTHORIZED BY SAMSUNG.

The distance between LAN controller
 and transformer is designed to extend less than two inches.



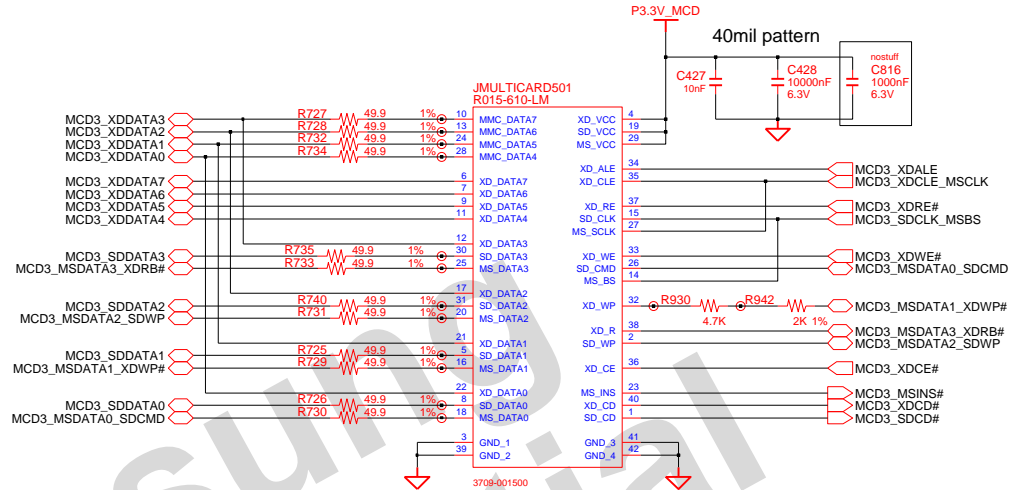
Place near to the Marvell chip.

DRAW MS YANG / Dany Lee	DATE 8/12/2006	TITLE OSL02	SAMSUNG ELECTRONICS PART NO. BA41-00866A
CHECK TH LEE	DEV. STEP MP	LAN_Marvell_8055	
APPROVAL MK KIM	REV REV 1.1	LAN_Marvell_8055	
MODULE CODE	LAST EDIT	May 15, 2008 08:19:32 AM	PAGE 2 OF 2

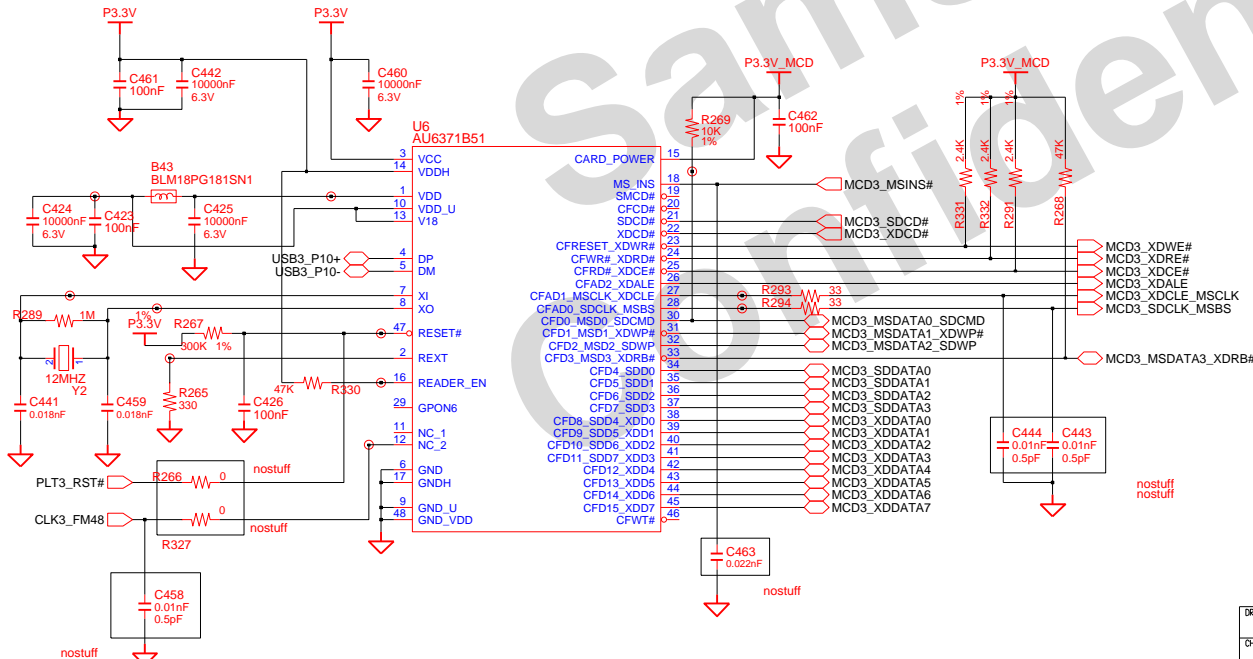
SAMSUNG PROPRIETARY

THIS DOCUMENT CONTAINS CONFIDENTIAL PROPRIETARY INFORMATION THAT IS SAMSUNG ELECTRONICS CO.'S PROPERTY. DO NOT DISCLOSE TO OR DUPLICATE FOR OTHERS EXCEPT AS AUTHORIZED BY SAMSUNG.

P3.3V_MCD distance between Controller and socket should be less than 2 inches



40 mil trace for medica card socket ground

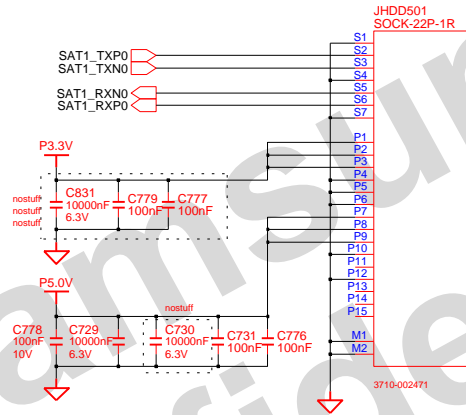


DRAW	MS YANG / Dany Lee	DATE	8/17/2007	TITLE	OSL02	SAMSUNG ELECTRONICS
CHECK	TH LEE	DEV. STEP	MP	UNDEF INED	PART NO.	
APPROVAL	MK KIM	REV	REV 1.1		BA11-00866A	
MODULE CODE		LAST EDIT				

SAMSUNG PROPRIETARY

THIS DOCUMENT CONTAINS CONFIDENTIAL
 PROPRIETARY INFORMATION THAT IS
 SAMSUNG ELECTRONICS CO.'S PROPERTY.
 DO NOT DISCLOSE TO OR DUPLICATE FOR OTHERS
 EXCEPT AS AUTHORIZED BY SAMSUNG.

FOR SATA HDD



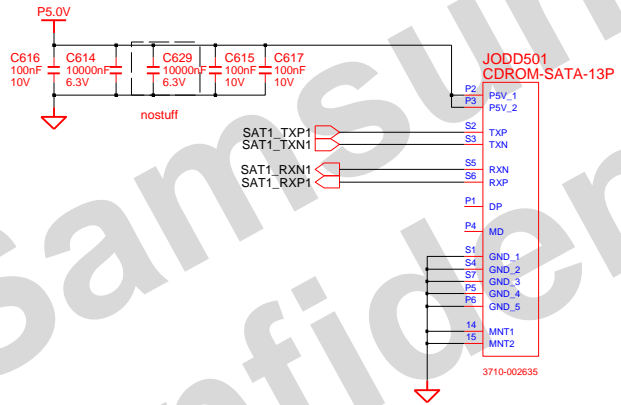
Samsung
Confidential

DRAW MS YANG / Dany Lee	DATE 8/12/2006	TITLE OSL02	SAMSUNG ELECTRONICS
CHECK TH LEE	DEV. STEP MP	HDD_IF_Conn	
APPROVAL MK KIM	REV REV 1.1	HDD_IF_Conn	PART NO. BA11-00866A
MODULE CODE	LAST EDIT	May 15, 2008 08:19:32 AM	PAGE 1 OF 1

SAMSUNG PROPRIETARY

THIS DOCUMENT CONTAINS CONFIDENTIAL
 PROPRIETARY INFORMATION THAT IS
 SAMSUNG ELECTRONICS CO.'S PROPERTY.
 DO NOT DISCLOSE TO OR DUPLICATE FOR OTHERS
 EXCEPT AS AUTHORIZED BY SAMSUNG.

SATA ODD

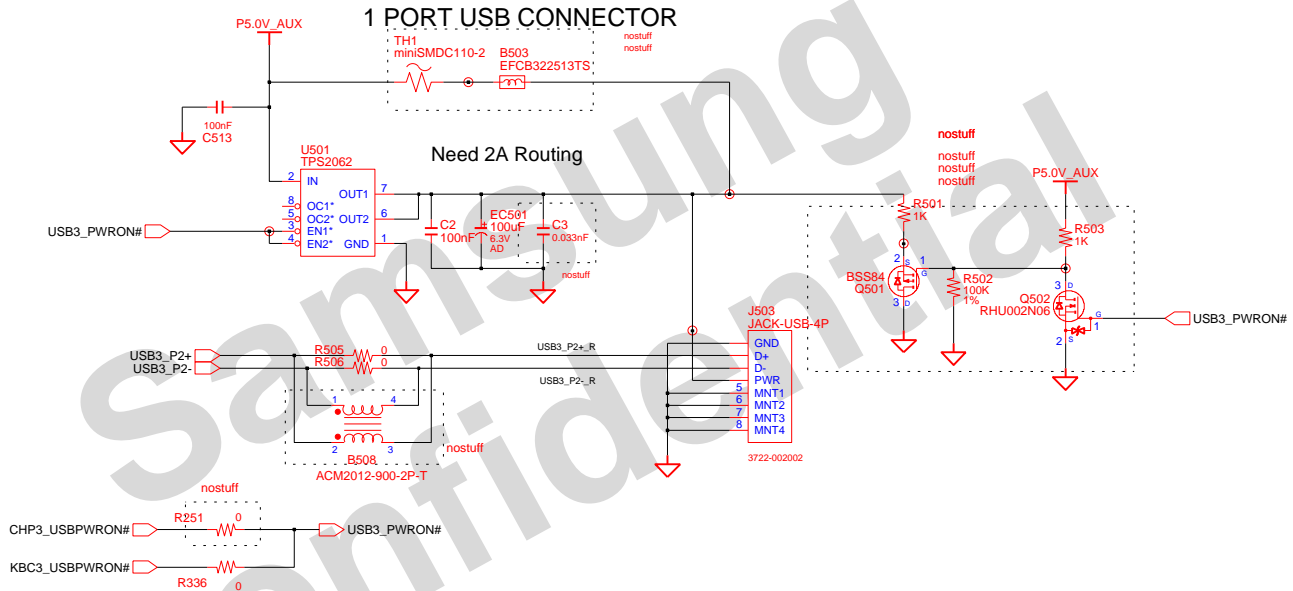


Samsung
Confidential

DRAW MS YANG / Dony Lee	DATE 8/12/2006	TITLE OSL02	SAMSUNG ELECTRONICS
CHECK TH LEE	DEV. STEP MP	ODD_IF_Conn	
APPROVAL MK KIM	REV REV 1.1	ODD_IF_Conn	PART NO. BA11-00866A
MODULE CODE	LAST EDIT	May 15, 2008 08:19:32 AM	PAGE 1 OF 1

SAMSUNG PROPRIETARY

THIS DOCUMENT CONTAINS CONFIDENTIAL
 PROPRIETARY INFORMATION THAT IS
 SAMSUNG ELECTRONICS CO.'S PROPERTY.
 DO NOT DISCLOSE TO OR DUPLICATE FOR OTHERS
 EXCEPT AS AUTHORIZED BY SAMSUNG.

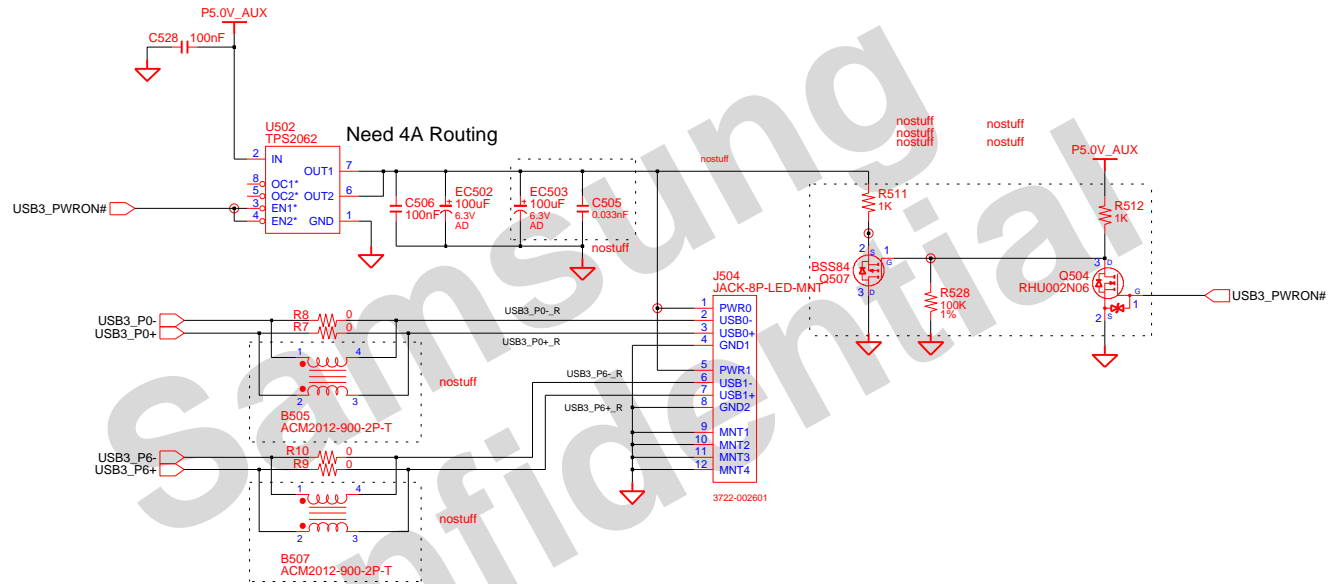


DRAW MS YANG / Dany Lee	DATE 8/12/2006	TITLE OSL02	SAMSUNG ELECTRONICS
CHECK TH LEE	DEV. STEP MP	USB_1Port	
APPROVAL MK KIM	REV REV 1.1	USB_1Port	PART NO. BA11-00866A
MODULE CODE	LAST EDIT	May 15, 2008 08:19:32 AM	PAGE 1 OF 1

SAMSUNG PROPRIETARY

THIS DOCUMENT CONTAINS CONFIDENTIAL PROPRIETARY INFORMATION THAT IS SAMSUNG ELECTRONICS CO.'S PROPERTY. DO NOT DISCLOSE TO OR DUPLICATE FOR OTHERS EXCEPT AS AUTHORIZED BY SAMSUNG.

2 PORT USB CONNECTOR

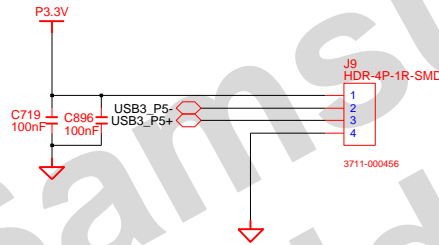


DRAW MS YANG / Dany Lee	DATE 8/12/2006	TITLE OSL02	SAMSUNG ELECTRONICS
CHECK TH LEE	DEV. STEP MP	USB_2Port	
APPROVAL MK KIM	REV REV 1.1	USB_2Port	PART NO. BA11-00866A
MODULE CODE	LAST EDIT	May 15, 2008 08:19:32 AM	PAGE 1 OF 1

SAMSUNG PROPRIETARY

THIS DOCUMENT CONTAINS CONFIDENTIAL
PROPRIETARY INFORMATION THAT IS
SAMSUNG ELECTRONICS CO.'S PROPERTY.
DO NOT DISCLOSE TO OR DUPLICATE FOR OTHERS
EXCEPT AS AUTHORIZED BY SAMSUNG.

Bluetooth Interface



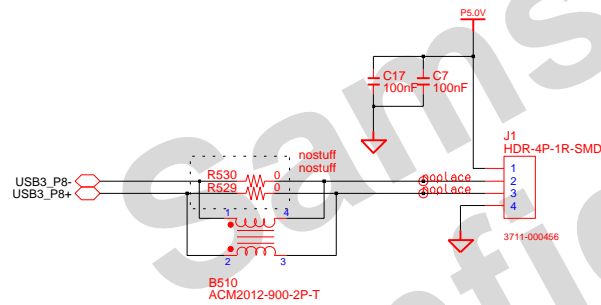
Samsung
Confidential

DRAW MS YANG / Dony Lee	DATE 8/12/2006	TITLE OSL02	SAMSUNG ELECTRONICS
CHECK TH LEE	DEV. STEP MP	Bluetooth_IF_Conn	
APPROVAL MK KIM	REV REV 1.1	Bluetooth_IF_Conn	PART NO. BA11-00866A
MODULE CODE	LAST EDIT May 15, 2008 08:19:32 AM	PAGE 1 OF 1	

SAMSUNG PROPRIETARY

THIS DOCUMENT CONTAINS CONFIDENTIAL
 PROPRIETARY INFORMATION THAT IS
 SAMSUNG ELECTRONICS CO.'S PROPERTY.
 DO NOT DISCLOSE TO OR DUPLICATE FOR OTHERS
 EXCEPT AS AUTHORIZED BY SAMSUNG.

CAMERA



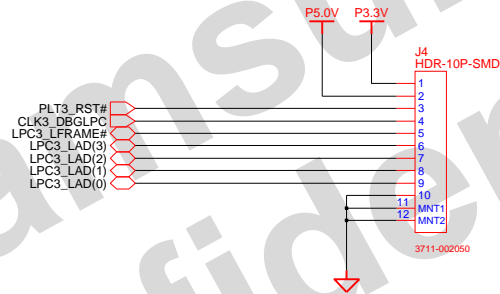
Samsung
Confidential

DRW MS YANG / Dony Lee	DATE 8/12/2006	TITLE OSL02	SAMSUNG ELECTRONICS
CHECK TH LEE	DEV. STEP MP	Camera_IF_Conn	
APPROVAL MK KIM	REV REV 1.1	Camera_IF_Conn	PART NO. BA11-00866A
MODULE CODE	LAST EDIT	May 15, 2008 08:19:32 AM	PAGE 1 OF 1

SAMSUNG PROPRIETARY

THIS DOCUMENT CONTAINS CONFIDENTIAL
PROPRIETARY INFORMATION THAT IS
SAMSUNG ELECTRONICS CO.'S PROPERTY.
DO NOT DISCLOSE TO OR DUPLICATE FOR OTHERS
EXCEPT AS AUTHORIZED BY SAMSUNG.

80H DECODER CONNECTOR

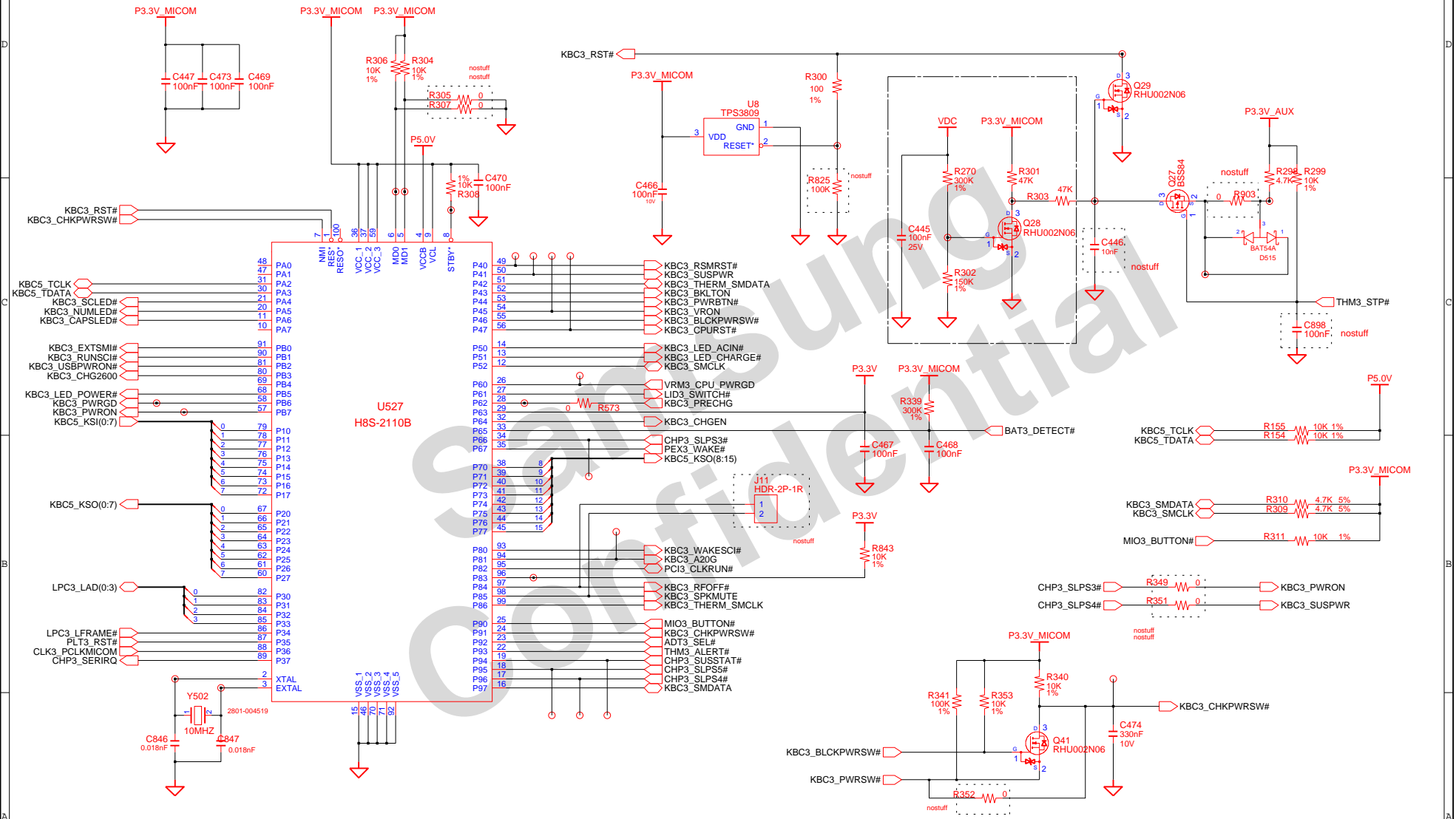


DRAW MS YANG / Dony Lee	DATE 8/12/2006	TITLE OSL02	SAMSUNG ELECTRONICS
CHECK TH LEE	DEV. STEP MP	Other_Debug_80	
APPROVAL MK KIM	REV REV 1.1	Other_Debug_80	PART NO. BA11-00866A
MODULE CODE	LAST EDIT	May 15, 2008 08:19:32 AM	PAGE 1 OF 1

SAMSUNG PROPRIETARY

THIS DOCUMENT CONTAINS CONFIDENTIAL PROPRIETARY INFORMATION THAT IS SAMSUNG ELECTRONICS CO.'S PROPERTY. DO NOT DISCLOSE TO OR DUPLICATE FOR OTHERS EXCEPT AS AUTHORIZED BY SAMSUNG.

MICOM RESET

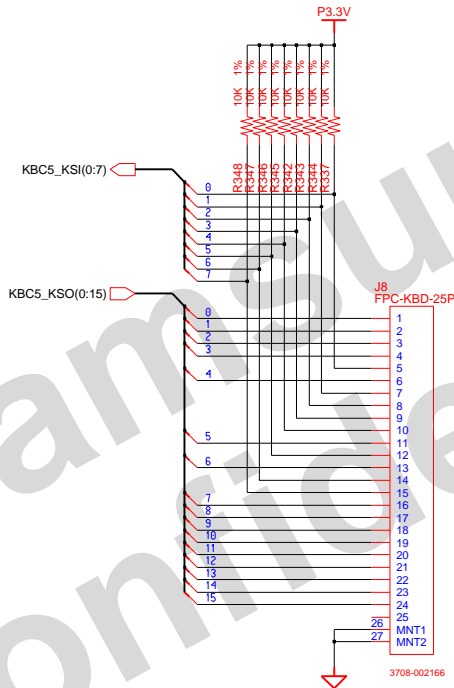


POWER SWITCH BLOCK WHILE MICOM UPDATE

DRAW	MS YANG / Dany Lee	DATE	8/12/2006	TITLE	OSL02	
CHECK	TH LEE	DEV. STEP	MP	MICOM_Renasas2110_100p	PART NO.	
APPROVAL	MK KIM	REV	1.1	MICOM_Renasas2110_100p	BA41-00866A	
MODULE CODE		LAST EDIT				

SAMSUNG PROPRIETARY
 THIS DOCUMENT CONTAINS CONFIDENTIAL
 PROPRIETARY INFORMATION THAT IS
 SAMSUNG ELECTRONICS CO.'S PROPERTY.
 DO NOT DISCLOSE TO OR DUPLICATE FOR OTHERS
 EXCEPT AS AUTHORIZED BY SAMSUNG.

KEYBOARD



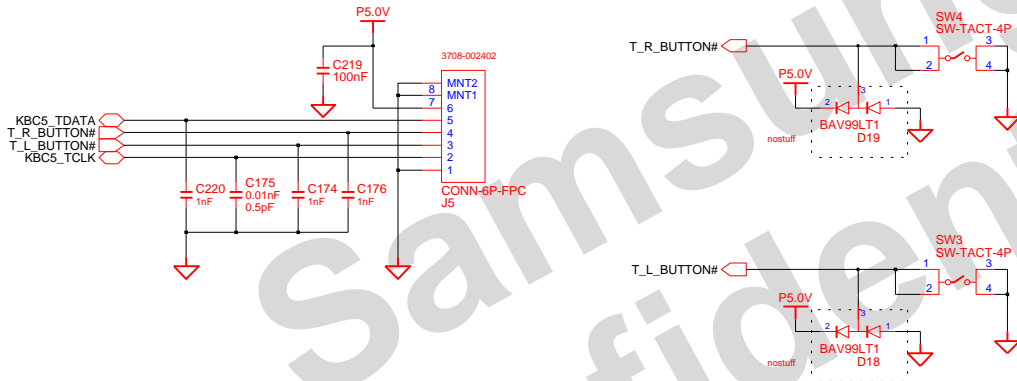
Samsung
Confidential

DRW MS YANG / Dony Lee	DATE 8/12/2006	TITLE OSL02	SAMSUNG ELECTRONICS
CHECK TH LEE	DEV. STEP MP	KBD_IF_Conn	
APPROVAL MK KIM	REV REV 1.1	KBD_IF_Conn	PART NO. BA41-00866A
MODULE CODE	LAST EDIT	May 15, 2008 08:19:32 AM	PAGE 1 OF 1

SAMSUNG PROPRIETARY

THIS DOCUMENT CONTAINS CONFIDENTIAL
PROPRIETARY INFORMATION THAT IS
SAMSUNG ELECTRONICS CO.'S PROPERTY.
DO NOT DISCLOSE TO OR DUPLICATE FOR OTHERS
EXCEPT AS AUTHORIZED BY SAMSUNG.

TOUCHPAD

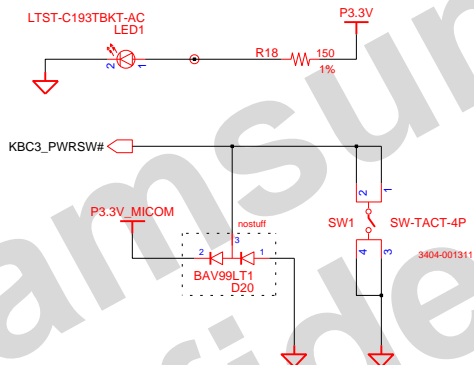


DRAW MS YANG / Dony Lee	DATE 8/12/2006	TITLE OSL02 Touchpad_IF_Conn	SAMSUNG ELECTRONICS
CHECK TH LEE	DEV. STEP MP	Touchpad_IF_Conn	
APPROVAL MK KIM	REV REV 1.1	Touchpad_IF_Conn	PART NO. BA11-00866A
MODULE CODE	LAST EDIT	May 15, 2008 08:19:32 AM	PAGE 1 OF 1

SAMSUNG PROPRIETARY

THIS DOCUMENT CONTAINS CONFIDENTIAL
PROPRIETARY INFORMATION THAT IS
SAMSUNG ELECTRONICS CO.'S PROPERTY.
DO NOT DISCLOSE TO OR DUPLICATE FOR OTHERS
EXCEPT AS AUTHORIZED BY SAMSUNG.

Put this LED located near PWRSW from ME recommendation
Power LED, Blue color



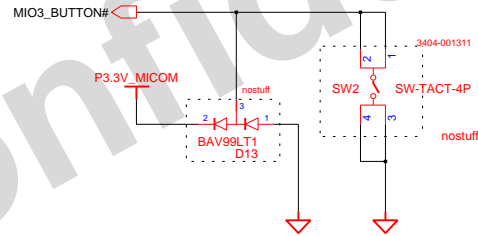
Samsung
Confidential

DRAW MS YANG / Dony Lee	DATE 8/12/2006	TITLE OSL02	SAMSUNG ELECTRONICS
CHECK TH LEE	DEV. STEP MP	PWR_Switchbutton	
APPROVAL MK KIM	REV REV 1.1	PWR_Switchbutton	PART NO. BA11-00866A
MODULE CODE	LAST EDIT	May 15, 2008 08:19:32 AM	PAGE 1 OF 1

SAMSUNG PROPRIETARY

THIS DOCUMENT CONTAINS CONFIDENTIAL
PROPRIETARY INFORMATION THAT IS
SAMSUNG ELECTRONICS CO.'S PROPERTY.
DO NOT DISCLOSE TO OR DUPLICATE FOR OTHERS
EXCEPT AS AUTHORIZED BY SAMSUNG.

Samsung
Confidential

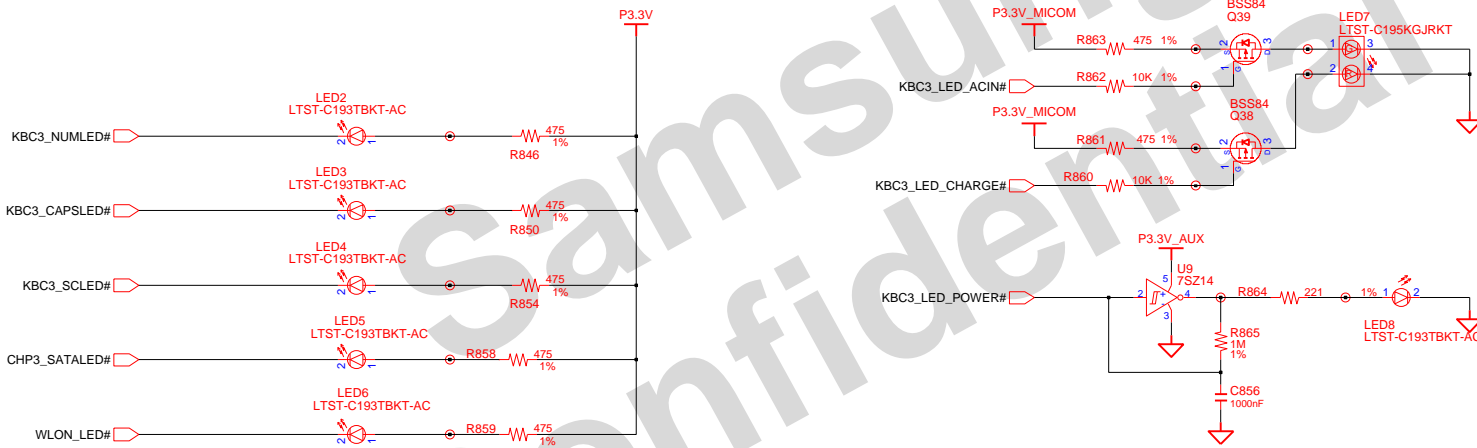


DRAW MS YANG / Dony Lee	DATE 8/12/2006	TITLE OSL02 MIO_Switch	SAMSUNG ELECTRONICS
CHECK TH LEE	DEV. STEP MP	MIO_Switch	
APPROVAL MK KIM	REV REV 1.1		PART NO. BA11-00866A
MODULE CODE	LAST EDIT	May 15, 2008 08:19:32 AM	PAGE 1 OF 1

SAMSUNG PROPRIETARY

THIS DOCUMENT CONTAINS CONFIDENTIAL
 PROPRIETARY INFORMATION THAT IS
 SAMSUNG ELECTRONICS CO.'S PROPERTY.
 DO NOT DISCLOSE TO OR DUPLICATE FOR OTHERS
 EXCEPT AS AUTHORIZED BY SAMSUNG.

ADAPTERIN/CHARGING LED

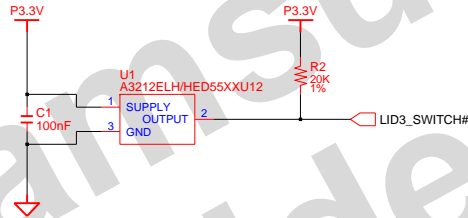


DRAW MS YANG / Dany Lee	DATE 8/12/2006	TITLE OSL02	SAMSUNG ELECTRONICS
CHECK TH LEE	DEV. STEP MP	LED_Switch	
APPROVAL MK KIM	REV REV 1.1	LED_Switch	PART NO. BA11-00866A
MODULE CODE	LAST EDIT	May 15, 2008 08:19:32 AM	PAGE 1 OF 1

SAMSUNG PROPRIETARY

THIS DOCUMENT CONTAINS CONFIDENTIAL
PROPRIETARY INFORMATION THAT IS
SAMSUNG ELECTRONICS CO.'S PROPERTY.
DO NOT DISCLOSE TO OR DUPLICATE FOR OTHERS
EXCEPT AS AUTHORIZED BY SAMSUNG.

LID_SWITCH

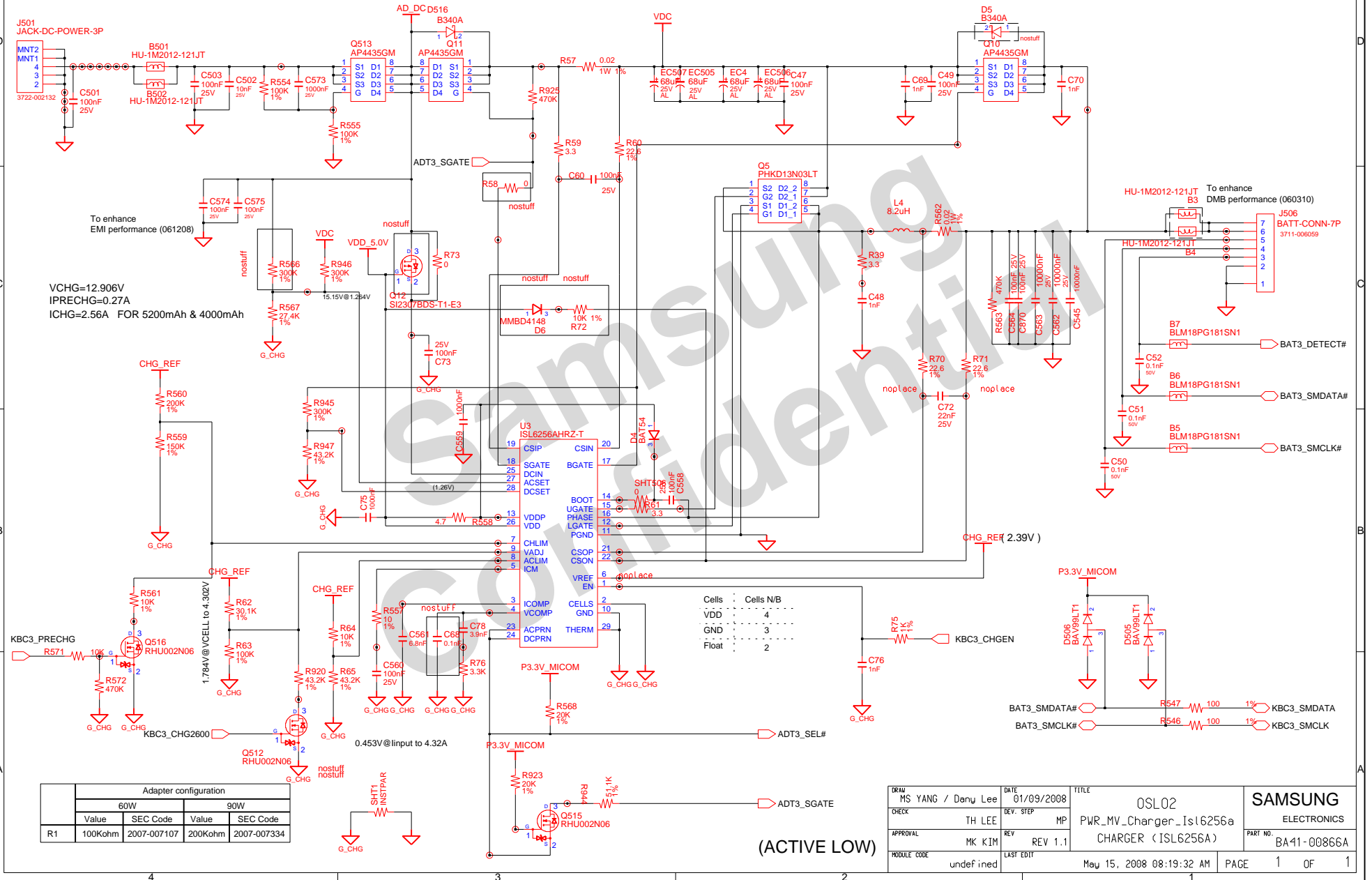


Samsung
Confidential

DRAW MS YANG / Dany Lee	DATE 8/12/2006	TITLE OSL02	SAMSUNG ELECTRONICS
CHECK TH LEE	DEV. STEP MP	LID_Switch	
APPROVAL MK KIM	REV REV 1.1	LID_Switch	PART NO. BA11-00866A
MODULE CODE	LAST EDIT	May 15, 2008 08:19:32 AM	PAGE 1 OF 1

SAMSUNG PROPRIETARY
 THIS DOCUMENT CONTAINS CONFIDENTIAL
 PROPRIETARY INFORMATION THAT IS
 SAMSUNG ELECTRONICS CO.'S PROPERTY.
 DO NOT DISCLOSE TO OR DUPLICATE FOR OTHERS
 EXCEPT AS AUTHORIZED BY SAMSUNG.

CHARGER & POWER MANAGEMENT

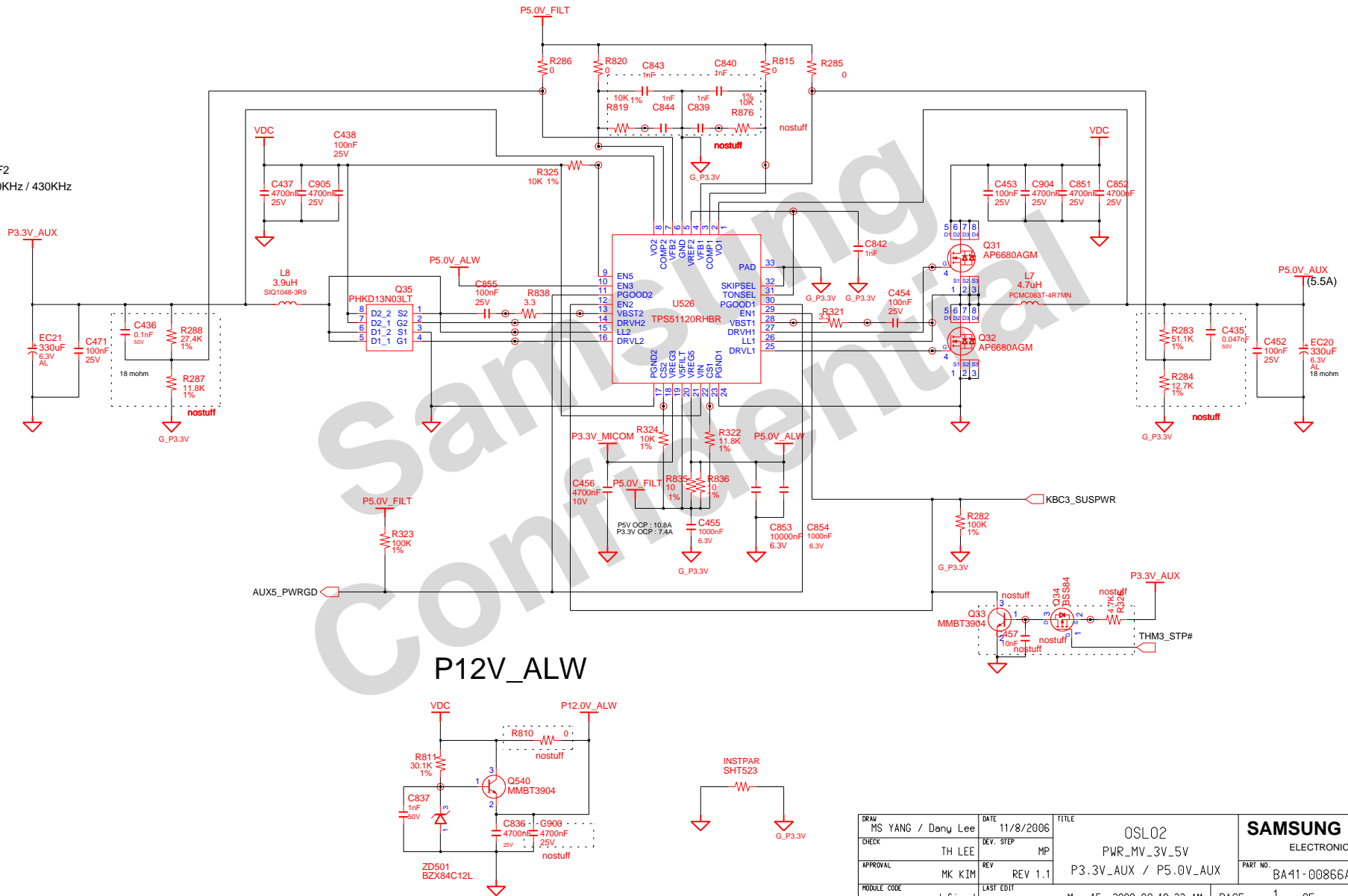


SAMSUNG PROPRIETARY

THIS DOCUMENT CONTAINS CONFIDENTIAL PROPRIETARY INFORMATION THAT IS SAMSUNG ELECTRONICS CO.'S PROPERTY. DO NOT DISCLOSE TO OR DUPLICATE FOR OTHERS EXCEPT AS AUTHORIZED BY SAMSUNG.

P3.3V_AUX & P5.0V_AUX

TONSEL VREF2
5V / 3.3V : 280KHz / 430KHz
(4.5A)



P12V_ALW

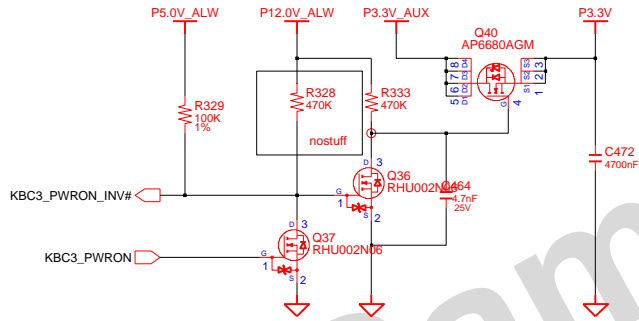
DRW	MS YANG / Dany Lee	DATE	11/8/2006	TITLE	OSL02	SAMSUNG ELECTRONICS
CHECK	TH LEE	DEV. STEP	MP		PWR_MV_3V_5V	
APPROVAL	MK KIM	REV	REV 1.1		P3.3V_AUX / P5.0V_AUX	PART NO. BA41-00866A
MODULE CODE	undefined	LAST EDIT				
				May 15, 2008 08:19:32 AM	PAGE	1 OF 1

SAMSUNG PROPRIETARY

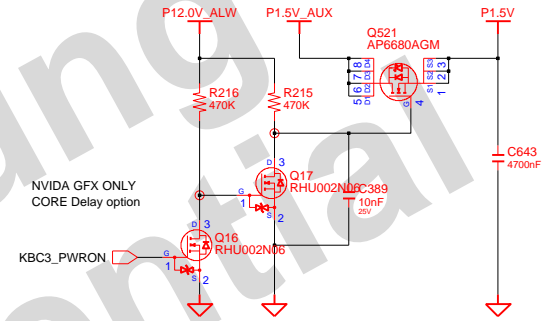
THIS DOCUMENT CONTAINS CONFIDENTIAL
PROPRIETARY INFORMATION THAT IS
SAMSUNG ELECTRONICS CO.'S PROPERTY.
DO NOT DISCLOSE TO OR DUPLICATE FOR OTHERS
EXCEPT AS AUTHORIZED BY SAMSUNG.

Switched Power

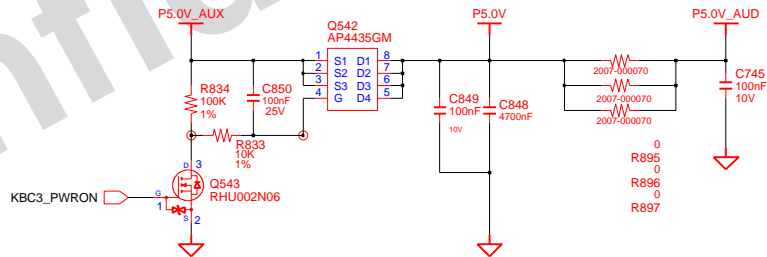
Switched Power On (P3.3V)



Switched Power On (P1.5V)



Switched Power On (P5.0V)

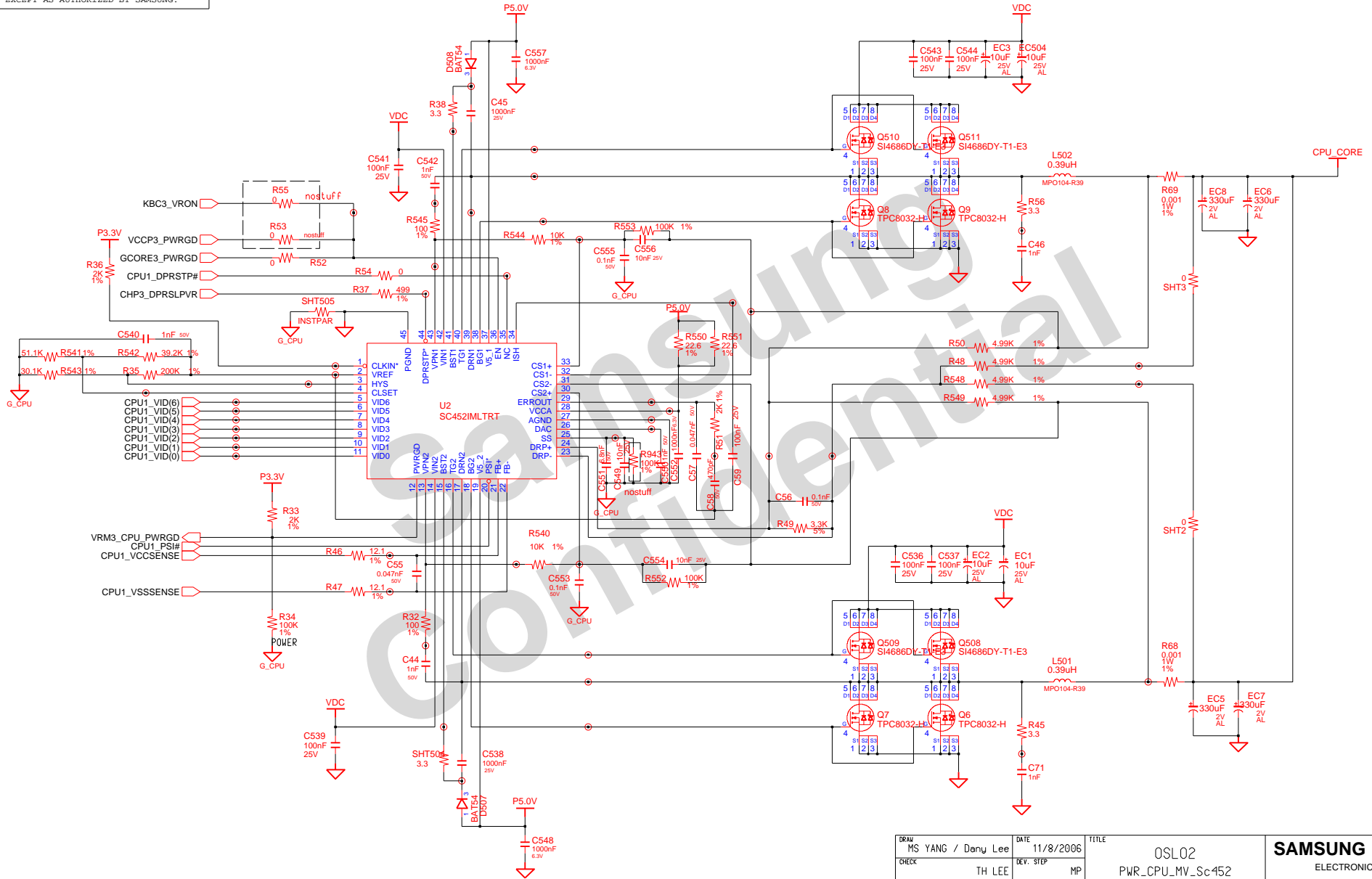


DRAW MS YANG / Dany Lee	DATE 01/09/2008	TITLE OSL02 PWR_MV_Switched SWITCHED POWER	SAMSUNG ELECTRONICS PART NO. BA11-00866A
CHECK TH LEE	DEV. STEP MP	REV 1.1	
APPROVAL MK KIM	REV 1.1	LAST EDIT	
MODULE CODE		May 15, 2008 08:19:32 AM	PAGE 1 OF 1

SAMSUNG PROPRIETARY

THIS DOCUMENT CONTAINS CONFIDENTIAL PROPRIETARY INFORMATION THAT IS SAMSUNG ELECTRONICS CO.'S PROPERTY. DO NOT DISCLOSE TO OR DUPLICATE FOR OTHERS EXCEPT AS AUTHORIZED BY SAMSUNG.

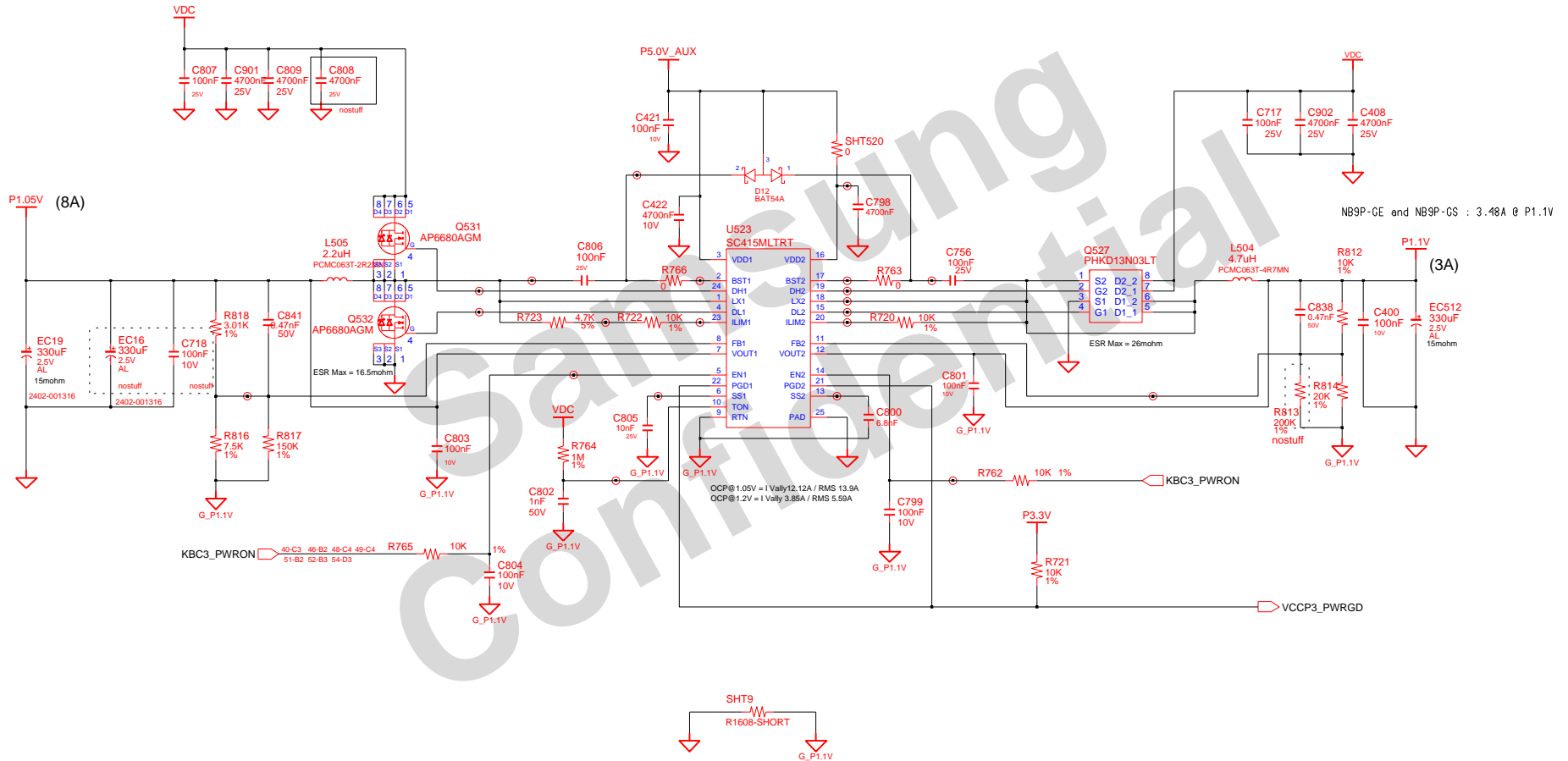
CPU VRM [SEMTECH]



DRAW	MS YANG / Dany Lee	DATE	11/8/2006	TITLE	OSL02	SAMSUNG ELECTRONICS
CHECK	TH LEE	DEV. STEP	MP		PWR_CPU_MV_Sc452	
APPROVAL	MK KIM	REV	1.1		CPU1 VRM (IMVP6+)	PART NO. BA11-00866A
MODULE CODE	undefined	LAST EDIT				

SAMSUNG PROPRIETARY
 THIS DOCUMENT CONTAINS CONFIDENTIAL
 PROPRIETARY INFORMATION THAT IS
 SAMSUNG ELECTRONICS CO.'S PROPERTY.
 DO NOT DISCLOSE TO OR DUPLICATE FOR OTHERS
 EXCEPT AS AUTHORIZED BY SAMSUNG.

CHIPSET POWER(P1.05V & P1.1V)

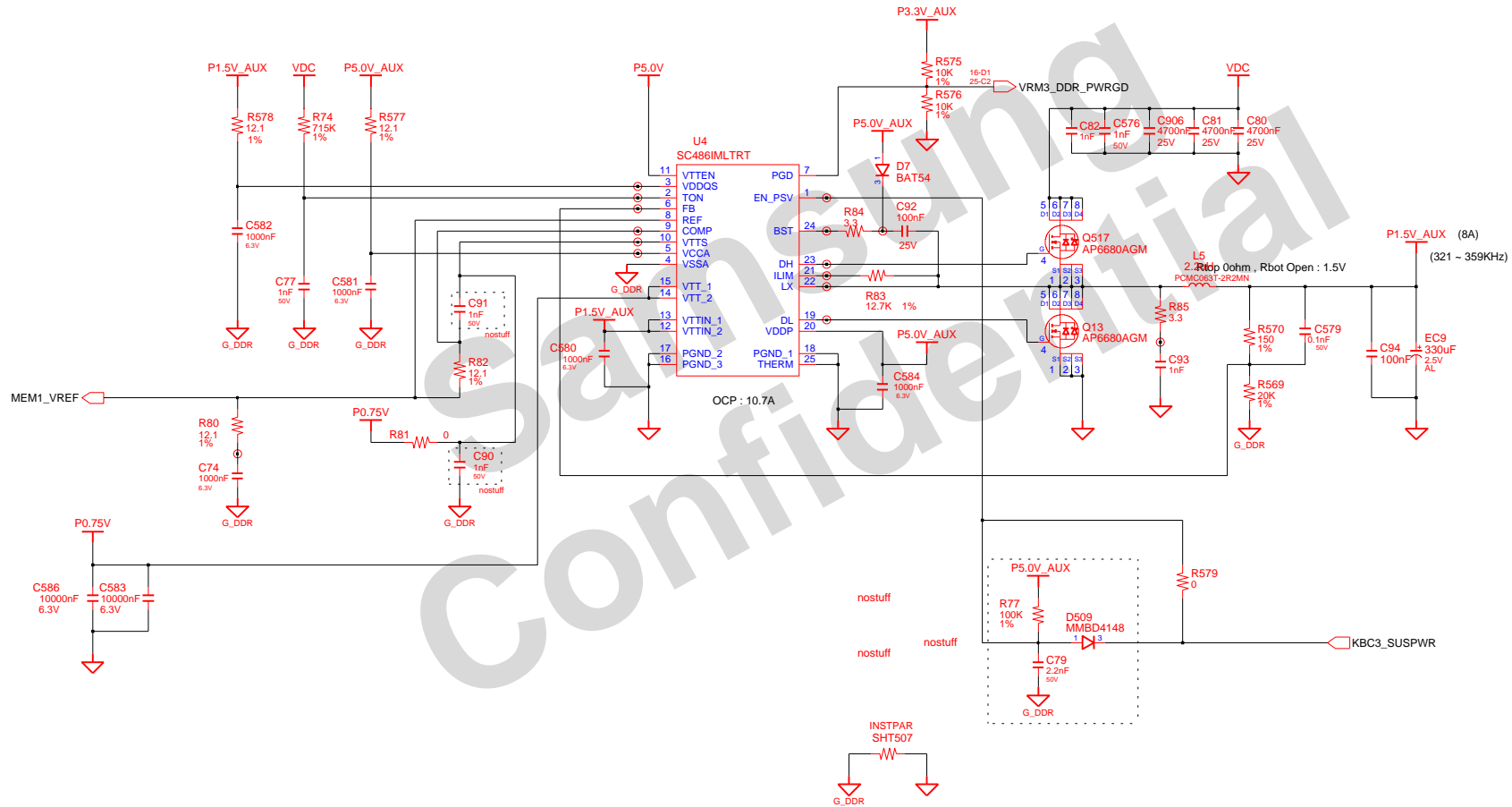


DRW MS YANG / Dany Lee	DATE 8/14/2007	TITLE OSL02	SAMSUNG ELECTRONICS
CHECK TH LEE	DEV. STEP MP	PWR_MW_Cantiga	
APPROVAL MK KIM	REV REV 1	Chipset Power (P1.05V_M,P1.1V)	PART NO. BA41-00866A
MODULE CODE undefined	LAST EDIT	May 15, 2008 08:19:32 AM	PAGE 1 OF 1

SAMSUNG PROPRIETARY

THIS DOCUMENT CONTAINS CONFIDENTIAL
PROPRIETARY INFORMATION THAT IS
SAMSUNG ELECTRONICS CO.'S PROPERTY.
DO NOT DISCLOSE TO OR DUPLICATE FOR OTHERS
EXCEPT AS AUTHORIZED BY SAMSUNG.

DDR3 Power

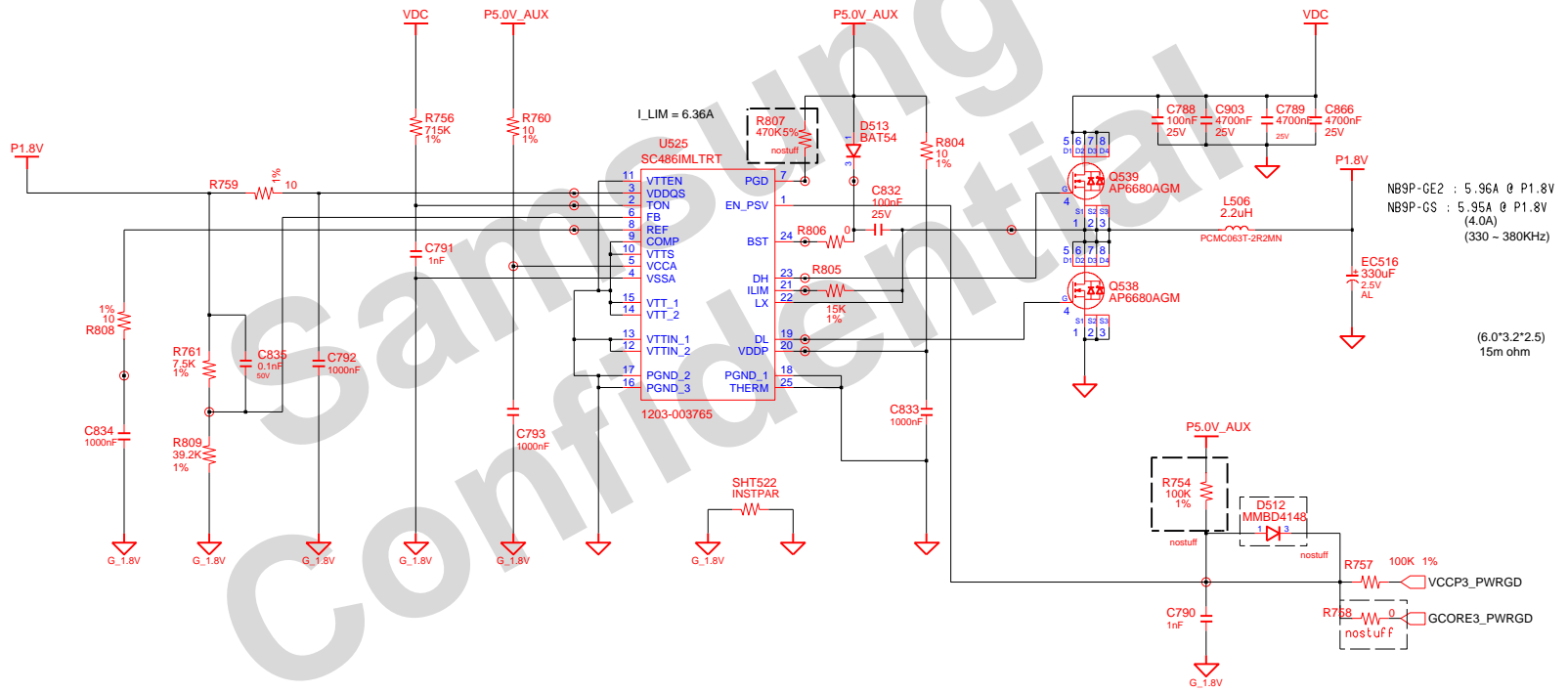


DRAW	MS YANG / Dany Lee	DATE	11/8/2006	TITLE	OSL02	SAMSUNG ELECTRONICS
CHECK	TH LEE	DEV. STEP	MP		PWR_MV_Memory	
APPROVAL	MK KIM	REV	1.1		DDR3 POWER (P1.5V_AUX)	PART NO. BA11-00866A
MODULE CODE	undefined	LAST EDIT			May 15, 2008 08:19:32 AM	PAGE 1 OF 1

SAMSUNG PROPRIETARY

THIS DOCUMENT CONTAINS CONFIDENTIAL PROPRIETARY INFORMATION THAT IS SAMSUNG ELECTRONICS CO.'S PROPERTY. DO NOT DISCLOSE TO OR DUPLICATE FOR OTHERS EXCEPT AS AUTHORIZED BY SAMSUNG.

P1.8V (External Gfx Memory)



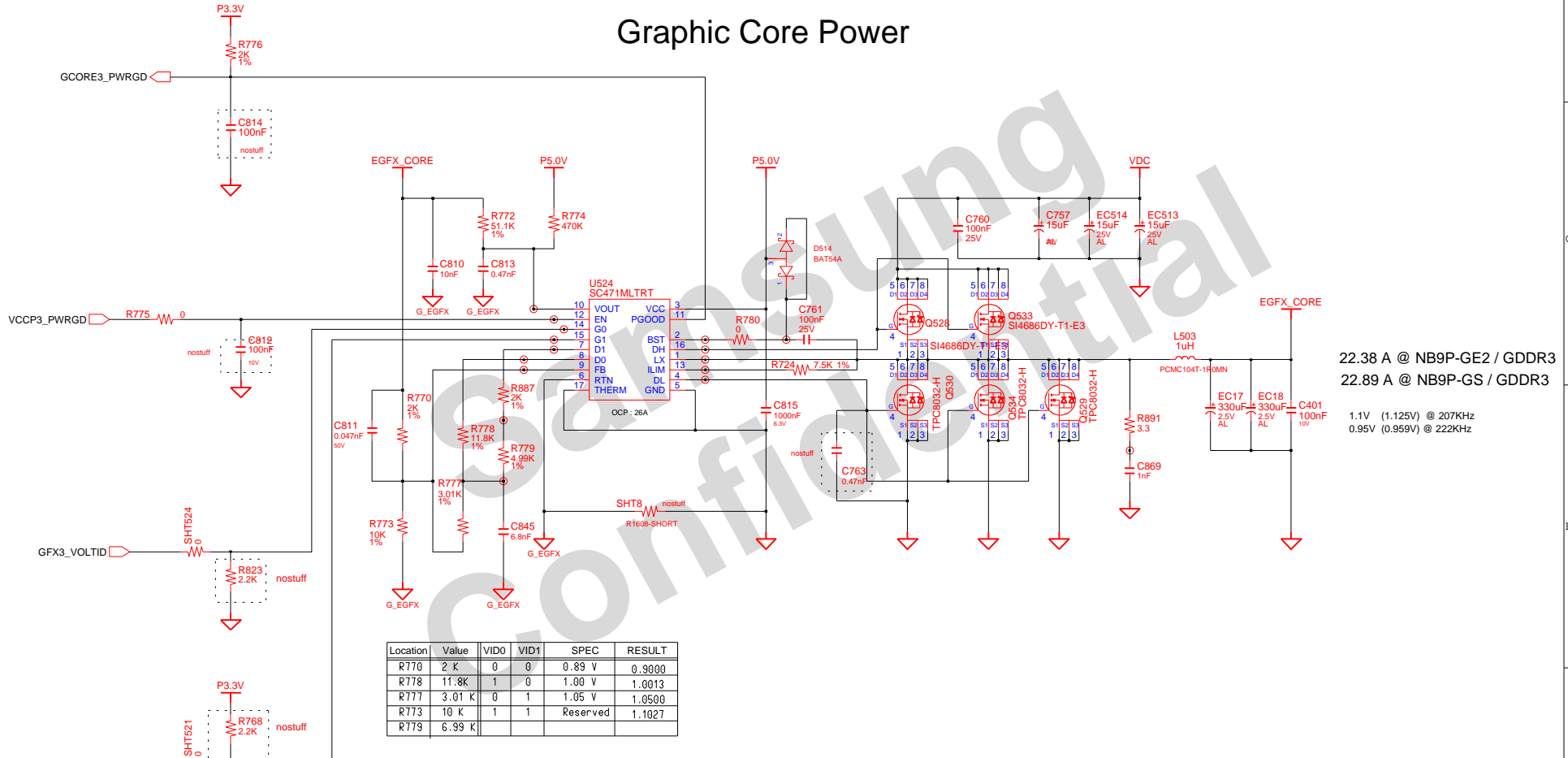
NB9P-GE2 : 5.96A @ P1.8V
 NB9P-GS : 5.95A @ P1.8V (4.0A) (330 ~ 380KHz)
 (6.0*3.2*2.5) 15m ohm

DRW MS YANG / Dany Lee	DATE 8/14/2007	TITLE OSL02	SAMSUNG ELECTRONICS PART NO. BA11-00866A
CHECK TH LEE	DEV. STEP MP	PWR_Gfx_MV_Ext	
APPROVAL MK KIM	REV REV 1.1	Ext Gfx Memory(SC486)	
MODULE CODE	LAST EDIT	May 15, 2008 08:19:32 AM	PAGE 1 OF 2

SAMSUNG PROPRIETARY

THIS DOCUMENT CONTAINS CONFIDENTIAL PROPRIETARY INFORMATION THAT IS SAMSUNG ELECTRONICS CO.'S PROPERTY. DO NOT DISCLOSE TO OR DUPLICATE FOR OTHERS EXCEPT AS AUTHORIZED BY SAMSUNG.

Graphic Core Power



22.38 A @ NB9P-GE2 / GDDR3
 22.89 A @ NB9P-GS / GDDR3
 1.1V (1.125V) @ 207KHz
 0.95V (0.959V) @ 222KHz

Location	Value	VID0	VID1	SPEC	RESULT
R770	2 K	0	0	0.89 V	0.9000
R778	11.8K	1	0	1.00 V	1.0013
R777	3.01 K	0	1	1.05 V	1.0500
R773	10 K	1	1	Reserved	1.1027
R779	6.99 K				

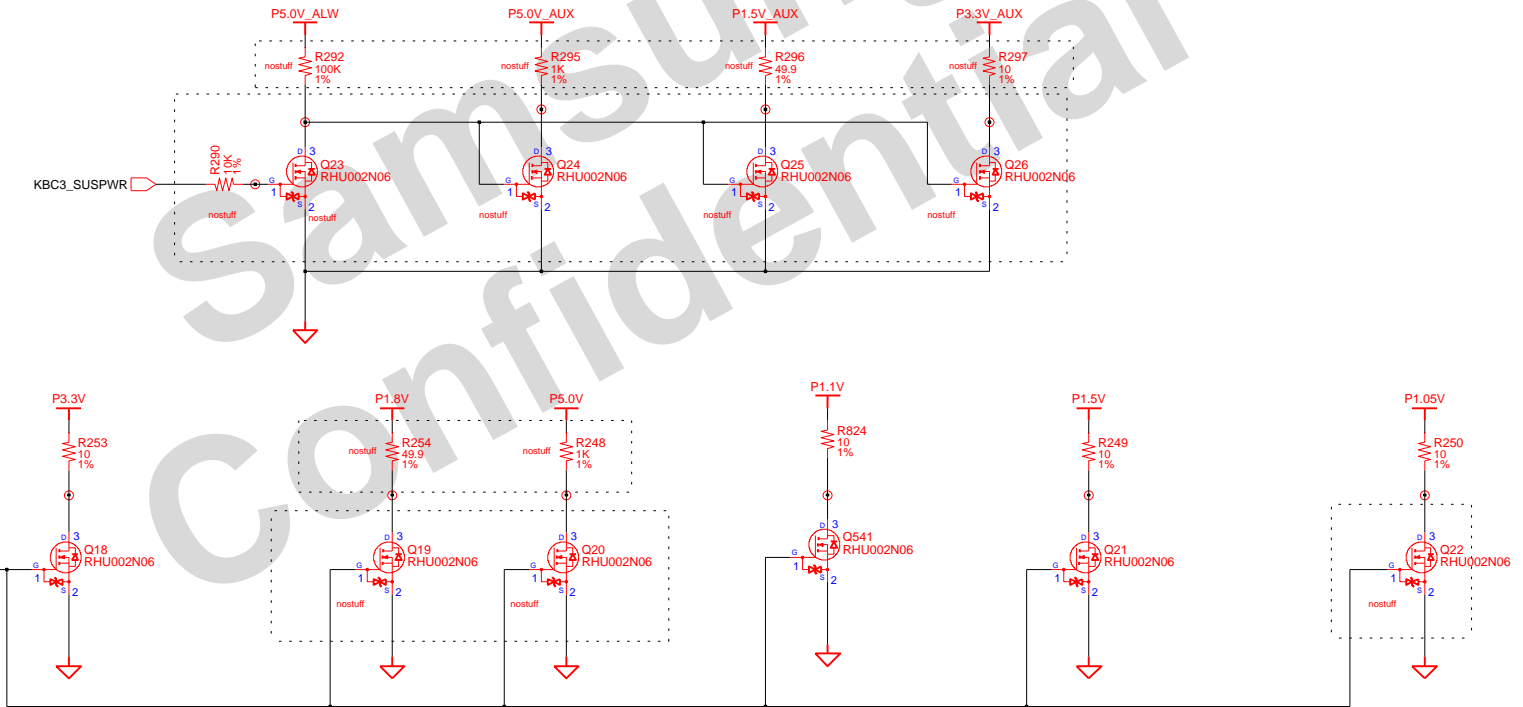
Location	Value	VID0	VID1	SPEC	RESULT
R770		0	0		
R778		1	0		
R777		0	1		
R773		1	1		
R779					

DRAW MS YANG / Dany Lee	DATE 8/14/2007	TITLE OSL02	SAMSUNG ELECTRONICS
CHECK TH LEE	DEV. STEP MP	PWR_Gfx_MV_Ext	
APPROVAL MK KIM	REV REV 1.1	Ext Gfx Core(SC471)	PART NO. BA11-00866A
MODULE CODE	LAST EDIT	May 15, 2008 08:19:32 AM	PAGE 2 OF 2

SAMSUNG PROPRIETARY

THIS DOCUMENT CONTAINS CONFIDENTIAL
 PROPRIETARY INFORMATION THAT IS
 SAMSUNG ELECTRONICS CO.'S PROPERTY.
 DO NOT DISCLOSE TO OR DUPLICATE FOR OTHERS
 EXCEPT AS AUTHORIZED BY SAMSUNG.

POWER DISCHARGER

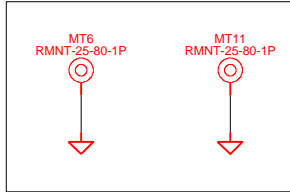


DRAW	MS YANG / Dany Lee	DATE	8/14/2007	TITLE	OSL02	SAMSUNG ELECTRONICS PART NO. BA11-00866A
CHECK	TH LEE	DEV. STEP	MP	PWR_MV_DisCharger		
APPROVAL	MK KIM	REV	REV 1.1	DISCHARGING LOGIC		
MODULE CODE	undefined	LAST EDIT	May 15, 2008 08:19:32 AM	PAGE	1 OF	1

SAMSUNG PROPRIETARY

THIS DOCUMENT CONTAINS CONFIDENTIAL PROPRIETARY INFORMATION THAT IS SAMSUNG ELECTRONICS CO.'S PROPERTY. DO NOT DISCLOSE TO OR DUPLICATE FOR OTHERS EXCEPT AS AUTHORIZED BY SAMSUNG.

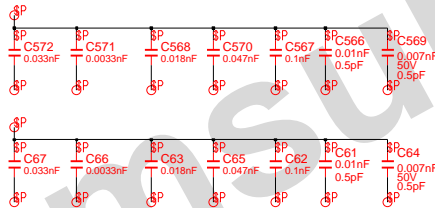
For KBD support



REV1
1 O no place
2 O O3

PCB REVISION CONTROL (ICT)				
NO	CONNECTION	DATE(Y/M/D)	REVISION	STEP
1	N.C.			
2	1-2			
3	2-3			
4	3-1			
5	1-2-3			
6	N.C.			
7	1-2			
8	2-3			
9	3-1			
10	1-2-3			

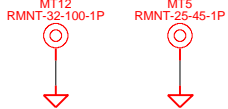
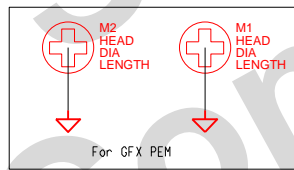
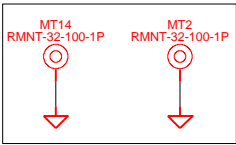
Place it near the MDC 32.90



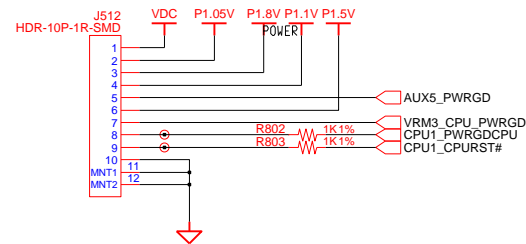
25.60



32.100



ICT PORT



DRAW MS YANG / Dany Lee	DATE 11/23/2007	TITLE OSL02 UNDEFINED	SAMSUNG ELECTRONICS
CHECK TH LEE	DEV. STEP MP	PART NO. BA11-00866A	
APPROVAL MK KIM	REV REV 1.1	May 15, 2008 08:19:32 AM	PAGE 12 OF 13
MODULE CODE	LAST EDIT		

Sheet1 ----- Root[sheet1]
Sheet2 ----- Root[sheet2]
Sheet3 ----- Root[sheet3]
Sheet4 ----- Root[sheet4]
Sheet5 ----- Root[sheet5]
Sheet6 ----- Root[sheet6]
Sheet7 ----- Root[sheet7]
Sheet8 ----- Root[sheet8]
Sheet9 ----- Root[sheet9]
Sheet10 ----- Root[sheet10]
Sheet11 ----- Root[sheet11]
Sheet12 ----- CK_Clock_505M[sheet1]
Sheet13 ----- Thermal_Sensor_SMSC_Emc2102[sheet1]
Sheet14 ----- CPU_Penryn_MV_SV[sheet1]
Sheet15 ----- CPU_Penryn_MV_SV[sheet2]
Sheet16 ----- CPU_Penryn_MV_SV[sheet3]
Sheet17 ----- MCH_CANTIGA_PM_DDR3[sheet1]
Sheet18 ----- MCH_CANTIGA_PM_DDR3[sheet2]
Sheet19 ----- MCH_CANTIGA_PM_DDR3[sheet3]
Sheet20 ----- MCH_CANTIGA_PM_DDR3[sheet4]
Sheet21 ----- MCH_CANTIGA_PM_DDR3[sheet5]
Sheet22 ----- SODIMM_DDR3[sheet1]
Sheet23 ----- SODIMM_DDR3[sheet2]
Sheet24 ----- ICH_9M_B[sheet1]
Sheet25 ----- ICH_9M_B[sheet2]
Sheet26 ----- ICH_9M_B[sheet3]
Sheet27 ----- ICH_9M_B[sheet4]
Sheet28 ----- ICH_9M_B[sheet5]
Sheet29 ----- SPI_BIOS_ROM[sheet1]
Sheet30 ----- Gfx_External_Nvidia_Nb9x[sheet1]
Sheet31 ----- Gfx_External_Nvidia_Nb9x[sheet2]
Sheet32 ----- Gfx_External_Nvidia_Nb9x[sheet3]
Sheet33 ----- Gfx_External_Nvidia_Nb9x[sheet4]
Sheet34 ----- Gfx_External_Nvidia_Nb9x[sheet5]
Sheet35 ----- Graphics_Memory_Nvidia[sheet1]
Sheet36 ----- Graphics_Memory_Nvidia[sheet2]
Sheet37 ----- Graphics_Memory_Nvidia[sheet3]
Sheet38 ----- Graphics_IF_CRT[sheet1]
Sheet39 ----- Graphics_IF_CRT[sheet2]
Sheet40 ----- Graphics_IF_CRT[sheet3]
Sheet41 ----- HDA_Codec_Alc262[sheet1]
Sheet42 ----- HDA_Codec_Alc262[sheet2]
Sheet43 ----- HDA_Codec_Alc262[sheet3]
Sheet44 ----- HDA_Codec_Alc262[sheet4]
Sheet45 ----- HDA_Codec_Alc262[sheet5]
Sheet46 ----- HDA_Modem[sheet1]
Sheet47 ----- PCIE_Minicard_Slot[sheet1]
Sheet48 ----- Express_card[sheet1]
Sheet49 ----- LAN_Marvell_8055[sheet1]
Sheet50 ----- LAN_Marvell_8055[sheet2]

Sheet51 ----- Multi_MV_Au6372[sheet1]
Sheet52 ----- HDD_IF_Conn[sheet1]
Sheet53 ----- ODD_IF_Conn[sheet1]
Sheet54 ----- USB_1Port[sheet1]
Sheet55 ----- USB_2Port[sheet1]
Sheet56 ----- Bluetooth_IF_Conn[sheet1]
Sheet57 ----- Camera_IF_Conn[sheet1]
Sheet58 ----- Other_Debug_80[sheet1]
Sheet59 ----- MICOM_Renesas2110_100p[sheet1]
Sheet60 ----- KBD_IF_Conn[sheet1]
Sheet61 ----- Touchpad_IF_Conn[sheet1]
Sheet62 ----- PWR_Switchbutton[sheet1]
Sheet63 ----- MIO_Switch[sheet1]
Sheet64 ----- LED_Switch[sheet1]
Sheet65 ----- LID_Switch[sheet1]
Sheet66 ----- PWR_MV_Charger_Isl6256a[sheet1]
Sheet67 ----- PWR_MV_3V_5V[sheet1]
Sheet68 ----- PWR_MV_Switched[sheet1]
Sheet69 ----- PWR_CPU_MV_Sc452[sheet1]
Sheet70 ----- PWR_MV_Cantiga[sheet1]
Sheet71 ----- PWR_MV_MeMory[sheet1]
Sheet72 ----- PWR_Gfx_MV_Ext[sheet1]
Sheet73 ----- PWR_Gfx_MV_Ext[sheet2]
Sheet74 ----- PWR_MV_DisCharger[sheet1]
Sheet75 ----- Root[sheet12]
Sheet76 ----- Root[sheet13]