

9. Schematic Diagram

9-1 MAIN BOARD

9-1-1 Schematic Diagrams

Table of Contents

Sheet1.	COVER	
Sheet2.	BLOCK DIAGRAM	
Sheet3.	BOARD INFORMATION	
Sheet4.	POWER DIAGRAM	
Sheet5.	POWER ON SEQUENCE	
Sheet6.	CLOCK DISTRIBUTION	
Sheet7.	CLOCK GENERATOR	
Sheet8.	CPU (1/3)	
Sheet9.	CPU (2/3)	
Sheet10.	CPU (3/3)	
Sheet11.	CPU/DDR THERMAL SENSOR	
Sheet12.	ALVISO (1/5)	
Sheet13.	ALVISO (2/5)	
Sheet14.	ALVISO (3/5)	
Sheet15.	ALVISO (4/5)	
Sheet16.	ALVISO (5/5)	
Sheet17.	DDR II SODIMM	
Sheet18.	DDR II TERMINATIONS	
Sheet19.	ICH6-M (1/4)	
Sheet20.	ICH6-M (2/4)	
Sheet21.	ICH6-M (3/4)	
Sheet22.	ICH6-M (4/4)	
Sheet23.	CRT CONN	
Sheet24.	LCD CONN	
Sheet25.	FWH	
Sheet26.	CARDBUS (1/2)	
Sheet27.	CARDBUS (2/2) & 1394 CONN	
Sheet28.	PCMCIA / 3 IN 1 CONN	
Sheet29.	MINI PCI	
Sheet30.	LOM (1/2)	
Sheet31.	LOM (2/2)	
Sheet32.	AUDIO CODEC	
Sheet33.	AUDIO AMP	
Sheet34.	MDC / TPM / FAN / BLUETOOTH / USB	
Sheet35.	IDE CONN	
Sheet36.	MICOM	
Sheet37.	B'D TO B'D CONN	
Sheet38.	DDR II POWER	
Sheet39.	SWITCHED POWER	
Sheet40.	MICOM P3V / P2.5V	
Sheet41.	CHARGER	
Sheet42.	CPU POWER	
Sheet43.	VCCP & GMCH POWER	
Sheet44.	PCB STUFFS	
Sheet45.	AUDIO SUB BOARD	
Sheet46.	TESTPOINT	

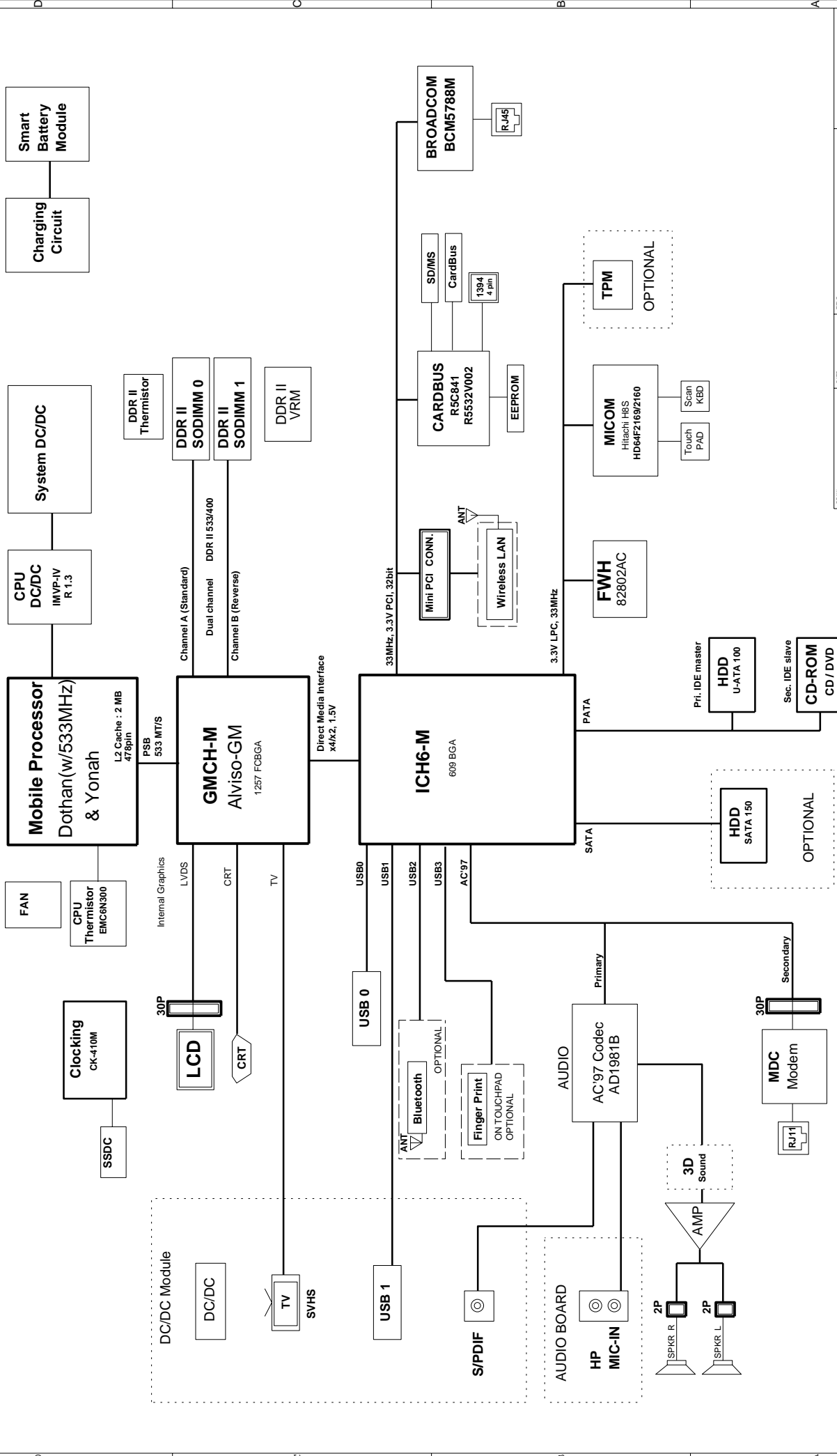
Aquila-So

CPU : Dothan
 Chip Set : Intel Alviso + ICH6-M
 Remarks : Internal Gfx.

Model Name : X06
 PBA Name : BA92-03859A
 PCB Code : BA41-00529A
 Dev. Step : MP
 Revision : 1.0
 T.R. Date : 2005-6-25

DRAW	CHECK	APPROVAL
ZHOU JUN GUO LEI	CHEN TAO	KEVIN LEE

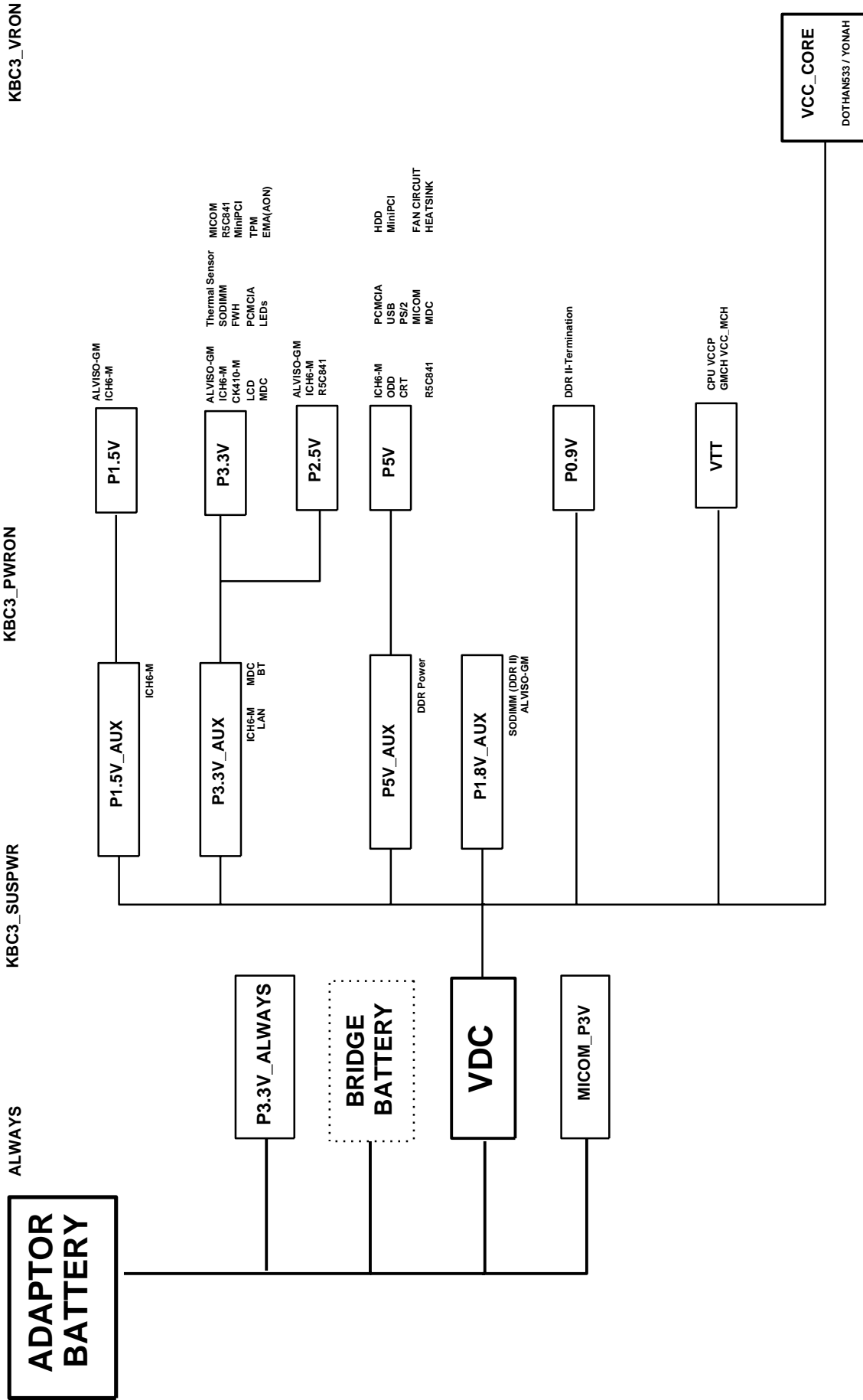
SAMSUNG PROPRIETARY
 THIS DOCUMENT CONTAINS CONFIDENTIAL
 PROPRIETARY INFORMATION. PLEASE
 SAMSUNG PROPRIETARY INFORMATION.
 DO NOT DISCLOSE TO OR DUPLICATE FOR OTHERS
 EXCEPT AS AUTHORIZED BY SAMSUNG.



DATE	6/25/2005	TITLE	AQUILA-SONOMA MAIN
CHECK	ZHOU & GUO	DRW. STOP	ANTONIO
APPROVAL	ANTONIO	REV	KEVIN LEE
MODULE CODE		REV	1.0
LAST EDIT		DATE	June 25, 2005 12:21:39 PM
PAGE	2	OF	46

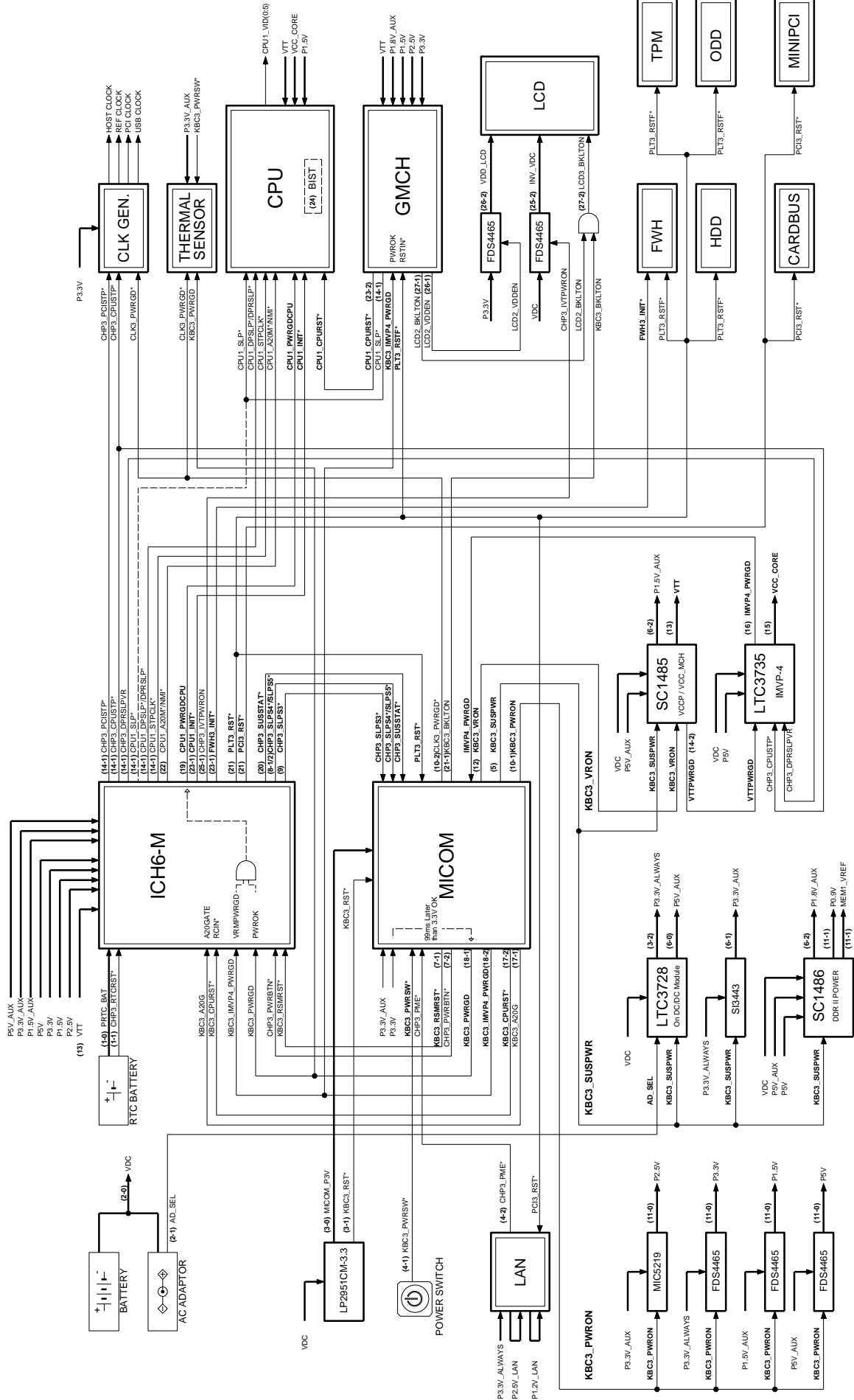
DATE	6/25/2005	TITLE	AQUILA-SONOMA MAIN
CHECK	ZHOU & GUO	DRW. STOP	ANTONIO
APPROVAL	ANTONIO	REV	KEVIN LEE
MODULE CODE		REV	1.0
LAST EDIT		DATE	June 25, 2005 12:21:39 PM
PAGE	2	OF	46

SAMSUNG PROPRIETARY
 THIS DOCUMENT CONTAINS CONFIDENTIAL
 PROPRIETARY INFORMATION. PLEASE
 SAMSUNG PROPRIETARY INFORMATION.
 DO NOT DISCLOSE TO OR DUPLICATE FOR OTHERS
 EXCEPT AS AUTHORIZED BY SAMSUNG.



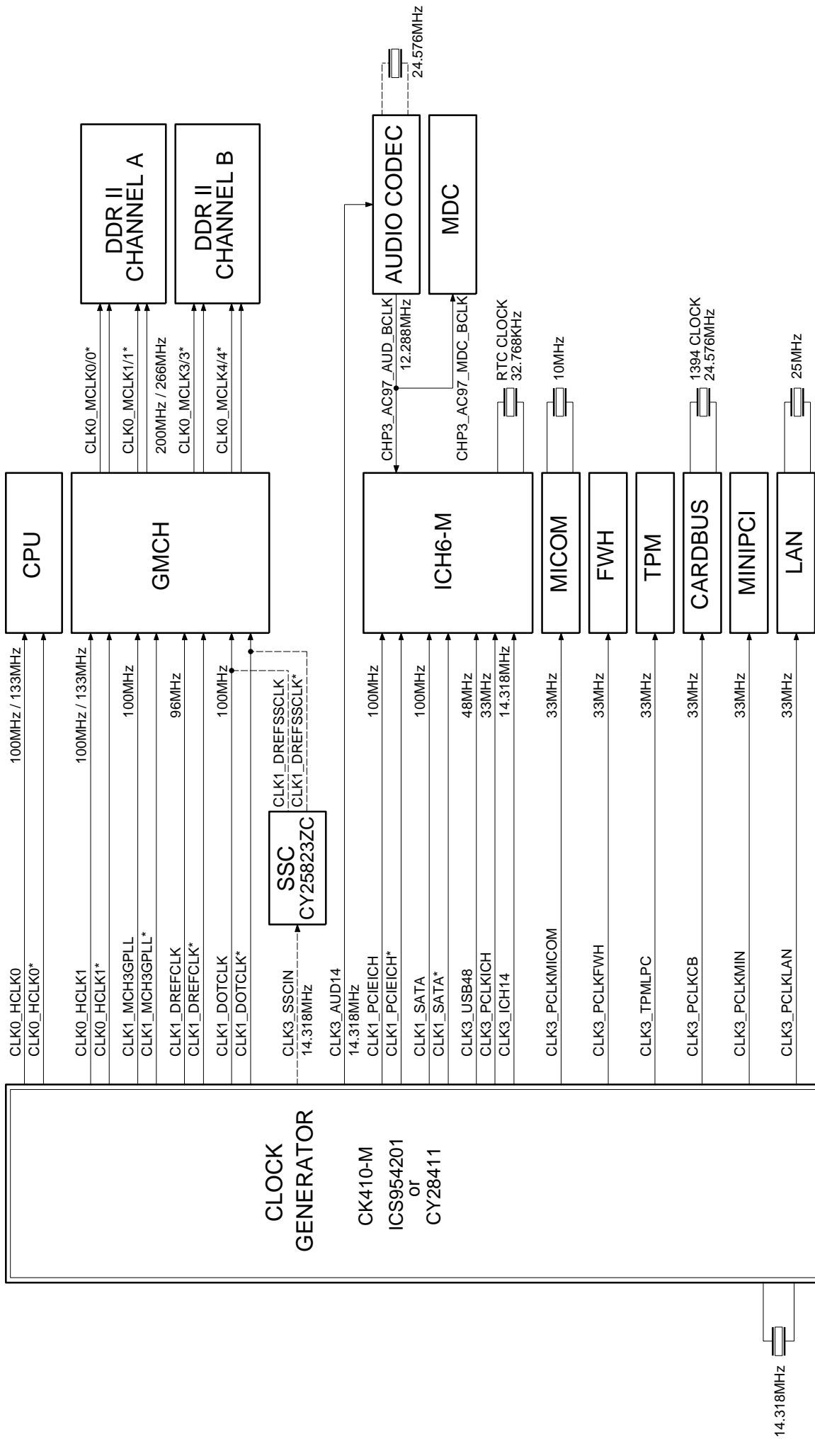
DATE	6/25/2005	TITLE	AQUILA-SONOMA MAIN POWER DIAGRAM
DRAWN	ZHOU & GUO	REV. STEP	MP
CHECK	ANTONIO	REV.	1.0
APPROVAL	KEVIN LEE	LAST EDIT	June 25, 2005 12:21:39 PM
MODULE CODE		PAGE	4 OF 46
		PART NO.	BA41-00529A
		SAMSUNG ELECTRONICS	

SAMSUNG PROPRIETARY
 THIS DOCUMENT CONTAINS CONFIDENTIAL
 PROPRIETARY INFORMATION AND IS THE PROPERTY
 OF SAMSUNG ELECTRONICS CO., LTD.
 IT IS TO BE KEPT IN STRICTLY CONFIDENTIAL
 AND NOT TO BE DISCLOSED TO OR DUPLICATED BY OTHERS
 EXCEPT AS AUTHORIZED BY SAMSUNG.



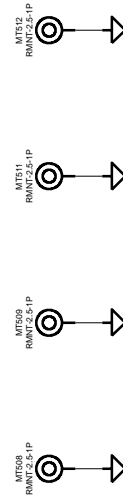
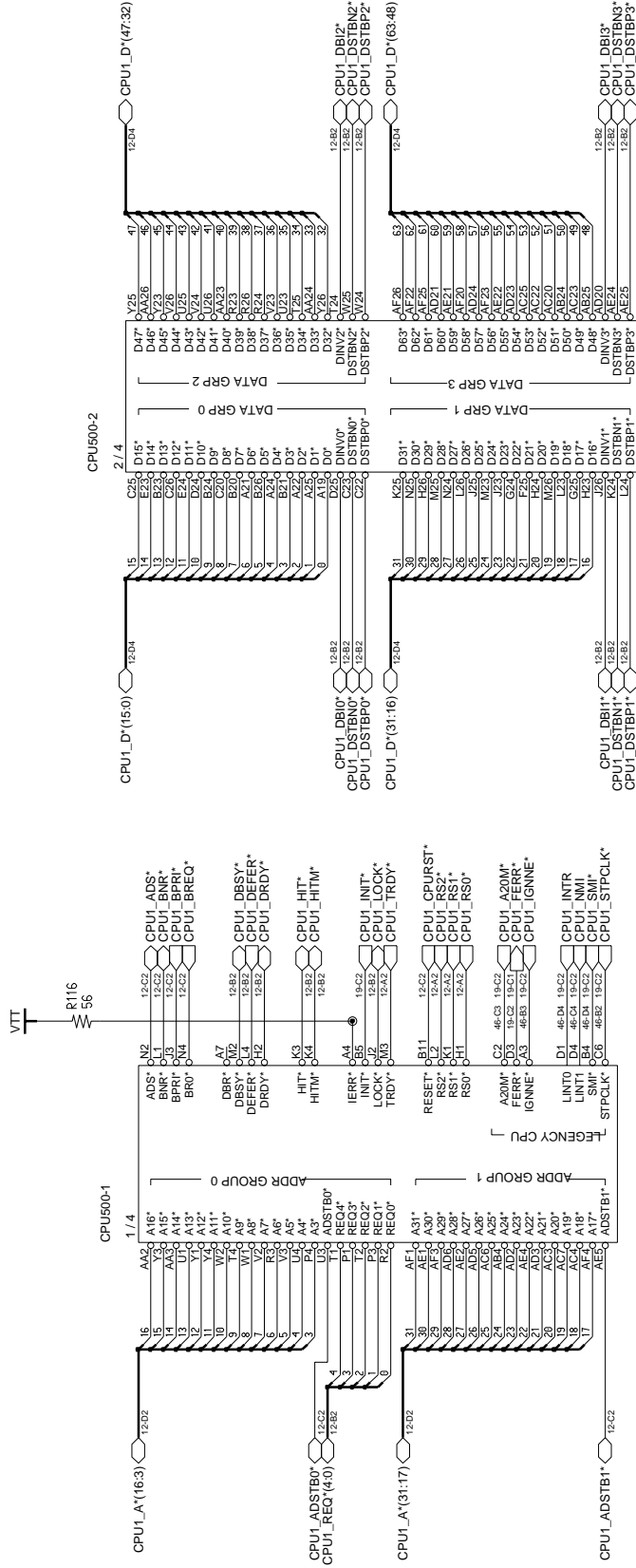
DATE	6/25/2005	TITLE	AQUILA-SONOMA
DRAWN	ZHOU & GUO	REV	MP
CHECK	ANTONIO	REV	KEVIN LEE
APPROVAL		REV	1.0
MODULE CODE		LAST EDIT	June 25, 2005 12:21:39 PM
		PAGE	5 OF 46
			POWER ON SEQUENCE
			MAIN
			BA41-00529A
			SAMSUNG ELECTRONICS

SAMSUNG PROPRIETARY
 THIS DOCUMENT CONTAINS CONFIDENTIAL
 PROPRIETARY INFORMATION. PLEASE
 SAMSUNG ELECTRONICS CO., LTD.
 DO NOT DISCLOSE TO OR DUPLICATE FOR OTHERS
 EXCEPT AS AUTHORIZED BY SAMSUNG.



DATE	6/25/2005	TITLE	AQUILA-SONOMA MAIN
DRAWN	ZHOU & GUO	REV	1.0
CHECK	ANTONIO	MP	
APPROVAL	KEVIN LEE	REV	1.0
MODULE CODE		LAST EDIT	June 25, 2005 12:21:39 PM
		CLOCK DIAGRAM	
		MAIN	
		BA41-00529A	
		PART NO.	

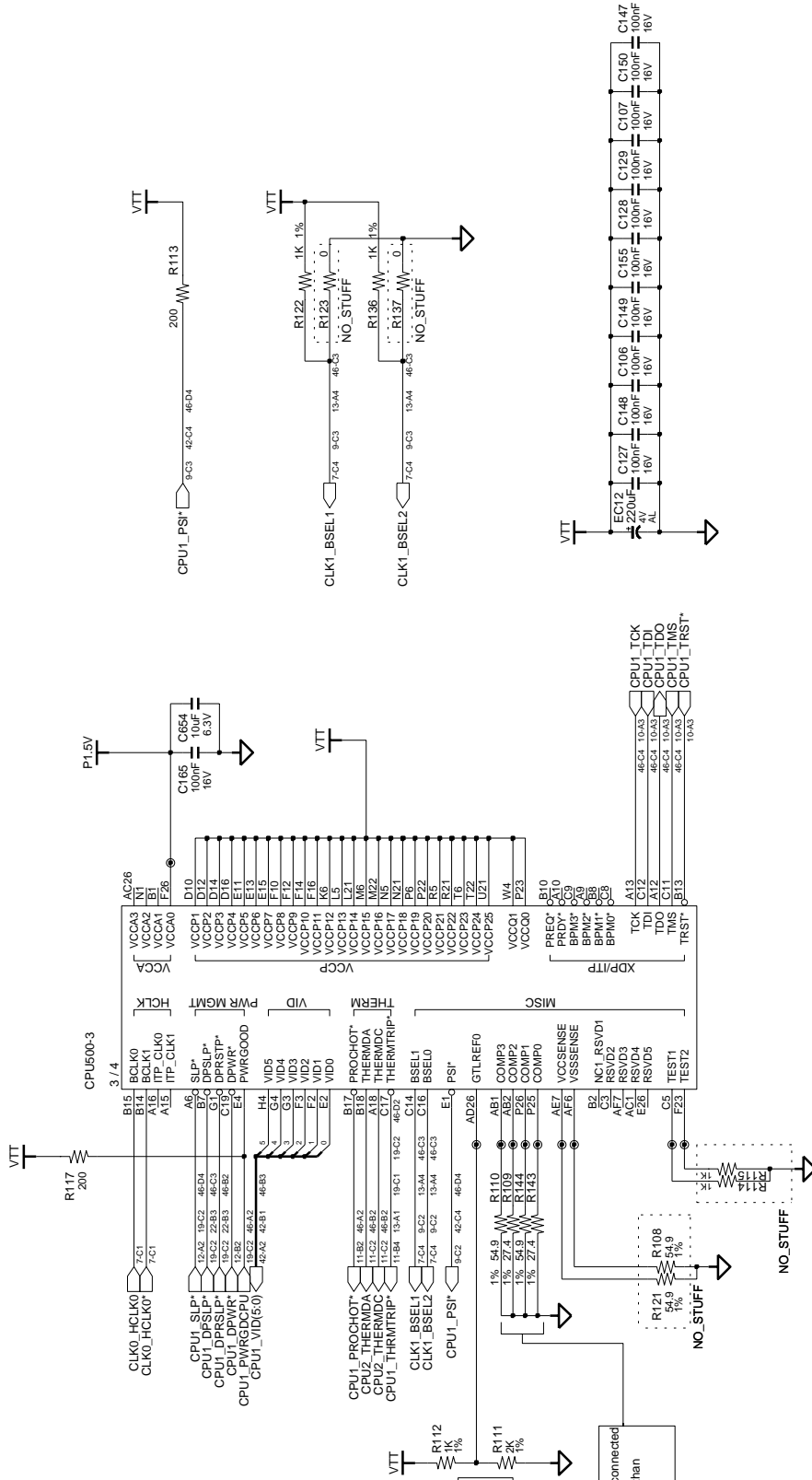
SAMSUNG PROPRIETARY
 THIS DOCUMENT CONTAINS CONFIDENTIAL
 PROPRIETARY INFORMATION. PLEASE
 SAMSUNG ELECTRONICS COMPANY, INC.
 DO NOT DISCLOSE TO OR DUPLICATE FOR OTHERS
 EXCEPT AS AUTHORIZED BY SAMSUNG.



DATE	6/25/2005	TITLE	AQUILA-SONOMA
DRAWN	ZHOU & GUO	CPU1_GRP	MAIN
CHECK	ANTONIO	MP	CPU (1/13)
APPROVAL	KEVIN LEE	REV	1.0
MODULE CODE		LAST EDIT	June 25, 2005 12:21:39 PM
		PAGE	8 OF 46

SAMSUNG
 ELECTRONICS
 PART NO. BA41-00529A

SAMSUNG PROPRIETARY
 THIS DOCUMENT CONTAINS CONFIDENTIAL
 PROPRIETARY INFORMATION. IT SHALL BE
 SAMSUNG'S POLICY TO PROTECT THIS INFORMATION.
 DO NOT DISCLOSE TO OR DUPLICATE FOR OTHERS
 EXCEPT AS AUTHORIZED BY SAMSUNG.



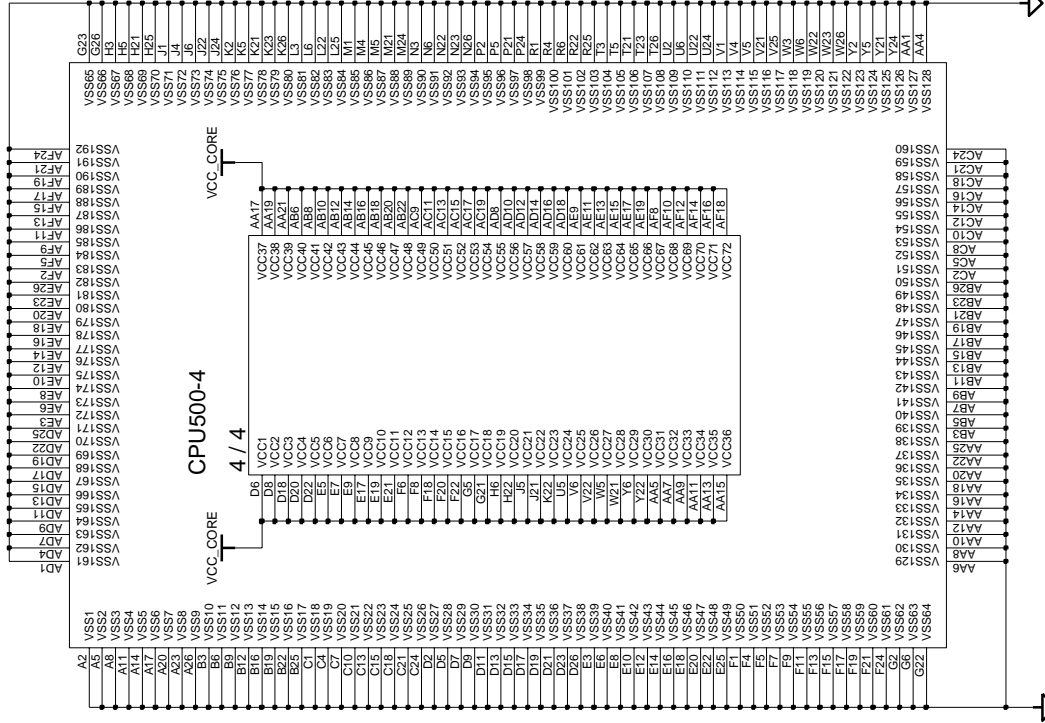
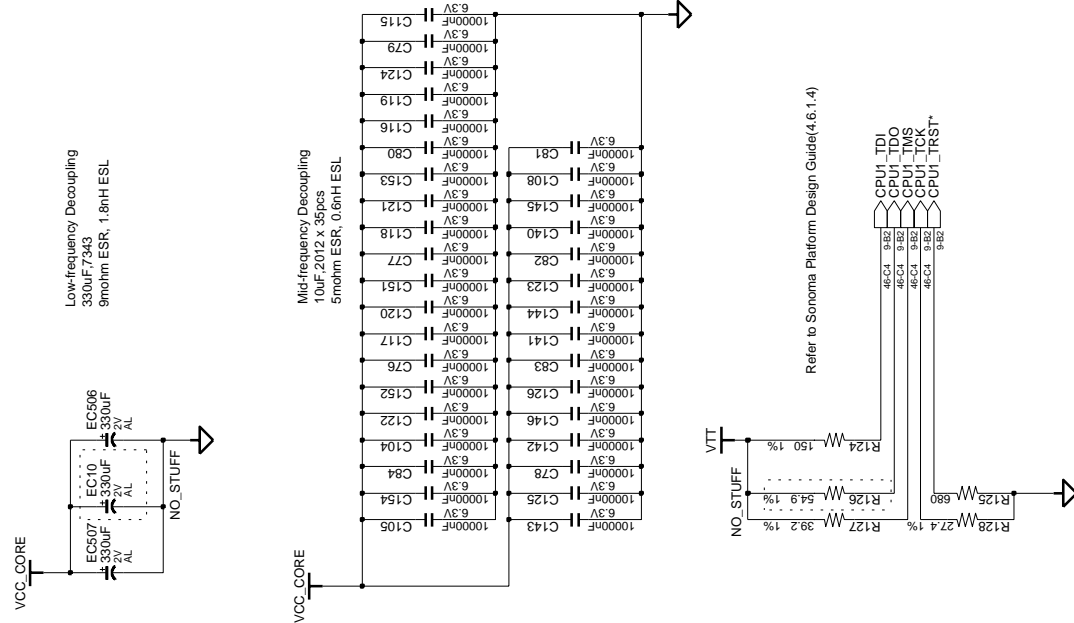
THERTRIP* should connect to ICH6M & Alviso
 OD signal driven by CPU and GMCH

GTLREF : Keep the Voltage divider within 0.5"
 of the First GTLREF0 with Z0=55 ohm trace
 Minimize coupling of any switching signals to this net

COMP 0 , 2 <(COMP 1,3) should be connected
 Z0=27.4 ohm (55 ohm) trace shorter than
 1/2 " to their respective Banias Pins

DATE	6/25/2005	TITLE	AQUILA-SONOMA
DRAWN	ZHOU & GUO	CHKD	ANTONIO
CHECK	ANTONIO	MP	MP
APPROVAL	KEVIN LEE	REV	1.0
MODULE CODE		LAST EDIT	June 25, 2005 12:21:39 PM
		PAGE	9 OF 46
		PART NO.	BA41-00529A
			SAMSUNG ELECTRONICS

Vcc-core Decoupling (Refer to IMVP-IV Option #4)

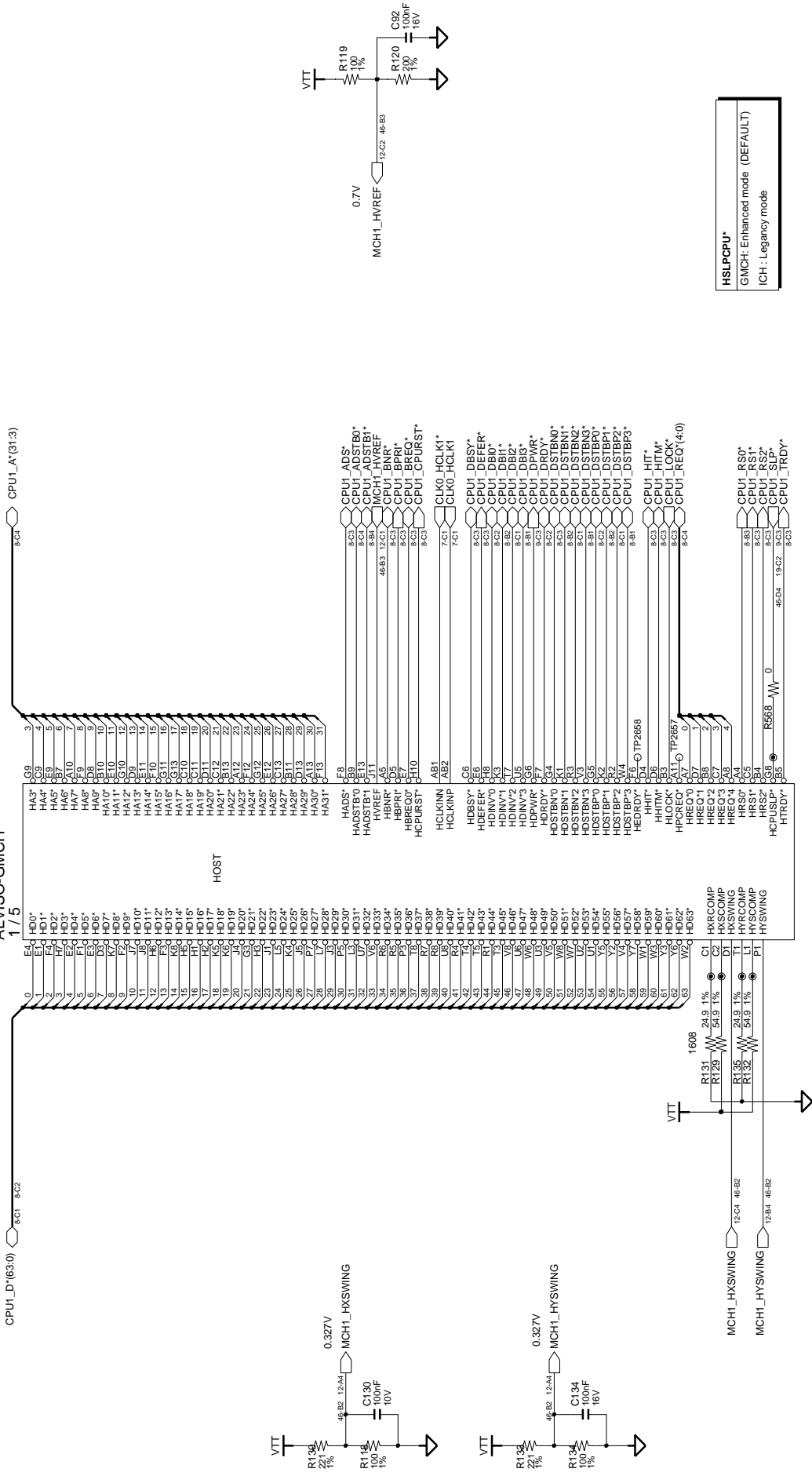


DATE	6/25/2005	TITLE	AQUILA-SONOMA
DRAWN	ZHOU & GUO	REV	MP
CHECK	ANTONIO	REV	MP
APPROVAL	KEVIN LEE	REV	1.0
MIDDLE CODE		LAST EDIT	June 25, 2005 12:21:39 PM
		PAGE	10 OF 46
			SAMSUNG X06 9.10

DATE	6/25/2005	TITLE	AQUILA-SONOMA
DRAWN	ZHOU & GUO	REV	MP
CHECK	ANTONIO	REV	MP
APPROVAL	KEVIN LEE	REV	1.0
MIDDLE CODE		LAST EDIT	June 25, 2005 12:21:39 PM
		PAGE	10 OF 46
			SAMSUNG X06 9.10

SAMSUNG PROPRIETARY
 THIS DOCUMENT CONTAINS CONFIDENTIAL
 PROPRIETARY INFORMATION. PLEASE
 CONTACT SAMSUNG ELECTRONICS CO., LTD.
 DO NOT DISCLOSE TO OR DUPLICATE FOR OTHERS
 EXCEPT AS AUTHORIZED BY SAMSUNG.

ALVISO500-1
 ALVISO-GMCH



DRAWN	ZHOU & GUO	DATE	6/25/2005	TITLE	AQUILA-SONOMA
CHECK	ANTONIO	CHK/STEP	MP	MAIN	
APPROVAL	KEVIN LEE	REV	1.0	ALVISO (1/5)	PART NO. BA41-00529A
MOBILE CODE		LAST EDIT	June 25, 2005 12:21:38 PM	PAGE	12 OF 46

SAMSUNG PROPRIETARY
 THIS DOCUMENT CONTAINS CONFIDENTIAL
 PROPRIETARY INFORMATION AND TRADE SECRETS.
 NO DISCLOSURE TO OR DUPLICATION BY OTHERS
 EXCEPT AS AUTHORIZED BY SAMSUNG.

Feature	Alviso	Iris(Grantstale)
VCC_GMCH	VCC 1.05V	VCC 1.5V
VCCP	VTT 1.05V	VTT 1.2V
DMI	x2 / x4	x4 only

ALVISO500-2
ALVISO-GMCH

2 / 5

PC-EXPRESS GRAPHICS

CLK1_MCH3GPLL+ ZC1
 CLK1_MCH3GPLL- ZC1

VGA3_COMP 46A4 46A4
 VGA3_Y 37G1 46B4
 VGA3_C 37G1 46B4

VGA2_DDCCLK 23A4 46C2
 VGA2_DDCDATA 23A1 46B2
 VGA3_BLUE 23C4 46A4

VGA3_GREEN 23C4 46A4
 VGA3_RED 23C4 46A4

VGA3_VSYNC 23B4 46A4
 VGA3_HS_VSYNC 23B4 46A4

LVDS1_A0+ 24C4 24C4
 LVDS1_A1+ 24C4 24C4
 LVDS1_A2+ 24C4 24C4

LVDS1_A0- 24C4 24C4
 LVDS1_A1- 24C4 24C4
 LVDS1_A2- 24C4 24C4

LVDS1_A0+ 24C4 24C4
 LVDS1_A1+ 24C4 24C4
 LVDS1_A2+ 24C4 24C4

LVDS1_A0- 24C4 24C4
 LVDS1_A1- 24C4 24C4
 LVDS1_A2- 24C4 24C4

LVDS1_A0+ 24C4 24C4
 LVDS1_A1+ 24C4 24C4
 LVDS1_A2+ 24C4 24C4

LVDS1_A0- 24C4 24C4
 LVDS1_A1- 24C4 24C4
 LVDS1_A2- 24C4 24C4

LVDS1_A0+ 24C4 24C4
 LVDS1_A1+ 24C4 24C4
 LVDS1_A2+ 24C4 24C4

LVDS1_A0- 24C4 24C4
 LVDS1_A1- 24C4 24C4
 LVDS1_A2- 24C4 24C4

LVDS1_A0+ 24C4 24C4
 LVDS1_A1+ 24C4 24C4
 LVDS1_A2+ 24C4 24C4

LVDS1_A0- 24C4 24C4
 LVDS1_A1- 24C4 24C4
 LVDS1_A2- 24C4 24C4

LVDS1_A0+ 24C4 24C4
 LVDS1_A1+ 24C4 24C4
 LVDS1_A2+ 24C4 24C4

LVDS1_A0- 24C4 24C4
 LVDS1_A1- 24C4 24C4
 LVDS1_A2- 24C4 24C4

LVDS1_A0+ 24C4 24C4
 LVDS1_A1+ 24C4 24C4
 LVDS1_A2+ 24C4 24C4

LVDS1_A0- 24C4 24C4
 LVDS1_A1- 24C4 24C4
 LVDS1_A2- 24C4 24C4

LVDS1_A0+ 24C4 24C4
 LVDS1_A1+ 24C4 24C4
 LVDS1_A2+ 24C4 24C4

LVDS1_A0- 24C4 24C4
 LVDS1_A1- 24C4 24C4
 LVDS1_A2- 24C4 24C4

LVDS1_A0+ 24C4 24C4
 LVDS1_A1+ 24C4 24C4
 LVDS1_A2+ 24C4 24C4

LVDS1_A0- 24C4 24C4
 LVDS1_A1- 24C4 24C4
 LVDS1_A2- 24C4 24C4

LVDS1_A0+ 24C4 24C4
 LVDS1_A1+ 24C4 24C4
 LVDS1_A2+ 24C4 24C4

LVDS1_A0- 24C4 24C4
 LVDS1_A1- 24C4 24C4
 LVDS1_A2- 24C4 24C4

LVDS1_A0+ 24C4 24C4
 LVDS1_A1+ 24C4 24C4
 LVDS1_A2+ 24C4 24C4

LVDS1_A0- 24C4 24C4
 LVDS1_A1- 24C4 24C4
 LVDS1_A2- 24C4 24C4

LVDS1_A0+ 24C4 24C4
 LVDS1_A1+ 24C4 24C4
 LVDS1_A2+ 24C4 24C4

LVDS1_A0- 24C4 24C4
 LVDS1_A1- 24C4 24C4
 LVDS1_A2- 24C4 24C4

LVDS1_A0+ 24C4 24C4
 LVDS1_A1+ 24C4 24C4
 LVDS1_A2+ 24C4 24C4

LVDS1_A0- 24C4 24C4
 LVDS1_A1- 24C4 24C4
 LVDS1_A2- 24C4 24C4

LVDS1_A0+ 24C4 24C4
 LVDS1_A1+ 24C4 24C4
 LVDS1_A2+ 24C4 24C4

LVDS1_A0- 24C4 24C4
 LVDS1_A1- 24C4 24C4
 LVDS1_A2- 24C4 24C4

LVDS1_A0+ 24C4 24C4
 LVDS1_A1+ 24C4 24C4
 LVDS1_A2+ 24C4 24C4

LVDS1_A0- 24C4 24C4
 LVDS1_A1- 24C4 24C4
 LVDS1_A2- 24C4 24C4

LVDS1_A0+ 24C4 24C4
 LVDS1_A1+ 24C4 24C4
 LVDS1_A2+ 24C4 24C4

LVDS1_A0- 24C4 24C4
 LVDS1_A1- 24C4 24C4
 LVDS1_A2- 24C4 24C4

LVDS1_A0+ 24C4 24C4
 LVDS1_A1+ 24C4 24C4
 LVDS1_A2+ 24C4 24C4

LVDS1_A0- 24C4 24C4
 LVDS1_A1- 24C4 24C4
 LVDS1_A2- 24C4 24C4

LVDS1_A0+ 24C4 24C4
 LVDS1_A1+ 24C4 24C4
 LVDS1_A2+ 24C4 24C4

LVDS1_A0- 24C4 24C4
 LVDS1_A1- 24C4 24C4
 LVDS1_A2- 24C4 24C4

LVDS1_A0+ 24C4 24C4
 LVDS1_A1+ 24C4 24C4
 LVDS1_A2+ 24C4 24C4

LVDS1_A0- 24C4 24C4
 LVDS1_A1- 24C4 24C4
 LVDS1_A2- 24C4 24C4

LVDS1_A0+ 24C4 24C4
 LVDS1_A1+ 24C4 24C4
 LVDS1_A2+ 24C4 24C4

LVDS1_A0- 24C4 24C4
 LVDS1_A1- 24C4 24C4
 LVDS1_A2- 24C4 24C4

LVDS1_A0+ 24C4 24C4
 LVDS1_A1+ 24C4 24C4
 LVDS1_A2+ 24C4 24C4

LVDS1_A0- 24C4 24C4
 LVDS1_A1- 24C4 24C4
 LVDS1_A2- 24C4 24C4

LVDS1_A0+ 24C4 24C4
 LVDS1_A1+ 24C4 24C4
 LVDS1_A2+ 24C4 24C4

LVDS1_A0- 24C4 24C4
 LVDS1_A1- 24C4 24C4
 LVDS1_A2- 24C4 24C4

LVDS1_A0+ 24C4 24C4
 LVDS1_A1+ 24C4 24C4
 LVDS1_A2+ 24C4 24C4

LVDS1_A0- 24C4 24C4
 LVDS1_A1- 24C4 24C4
 LVDS1_A2- 24C4 24C4

LVDS1_A0+ 24C4 24C4
 LVDS1_A1+ 24C4 24C4
 LVDS1_A2+ 24C4 24C4

LVDS1_A0- 24C4 24C4
 LVDS1_A1- 24C4 24C4
 LVDS1_A2- 24C4 24C4

LVDS1_A0+ 24C4 24C4
 LVDS1_A1+ 24C4 24C4
 LVDS1_A2+ 24C4 24C4

LVDS1_A0- 24C4 24C4
 LVDS1_A1- 24C4 24C4
 LVDS1_A2- 24C4 24C4

LVDS1_A0+ 24C4 24C4
 LVDS1_A1+ 24C4 24C4
 LVDS1_A2+ 24C4 24C4

LVDS1_A0- 24C4 24C4
 LVDS1_A1- 24C4 24C4
 LVDS1_A2- 24C4 24C4

DMI

DMI

DMI

DMI

DMI

DMI

DMI

DMI

DMI

DMI

DMI

DMI

DMI

DMI

DMI

DMI

DMI

DMI

DMI

DMI

DMI

DMI

DMI

DMI

DMI

DMI

DMI

DMI

DMI

DMI

DMI

DMI

DMI

DMI

DMI

DMI

DMI

DMI

DMI

DMI

DMI

DMI

DMI

DMI

DMI

DMI

DMI

DMI

DMI

DMI

DMI

DMI

DMI

DMI

DMI

DMI

DMI

PM

PM

PM

PM

PM

PM

PM

PM

PM

PM

PM

PM

PM

PM

PM

PM

PM

PM

PM

PM

PM

PM

PM

PM

PM

PM

PM

PM

PM

PM

PM

PM

PM

PM

PM

PM

PM

PM

PM

PM

PM

PM

PM

PM

PM

PM

PM

PM

PM

PM

PM

PM

PM

PM

PM

PM

PM

LVDS

LVDS

LVDS

LVDS

LVDS

LVDS

LVDS

LVDS

LVDS

LVDS

LVDS

LVDS

LVDS

LVDS

LVDS

LVDS

LVDS

LVDS

LVDS

LVDS

LVDS

LVDS

LVDS

LVDS

LVDS

LVDS

LVDS

LVDS

LVDS

LVDS

LVDS

LVDS

LVDS

LVDS

LVDS

LVDS

LVDS

LVDS

LVDS

LVDS

LVDS

LVDS

LVDS

LVDS

LVDS

LVDS

LVDS

LVDS

LVDS

LVDS

LVDS

LVDS

LVDS

LVDS

LVDS

LVDS

LVDS

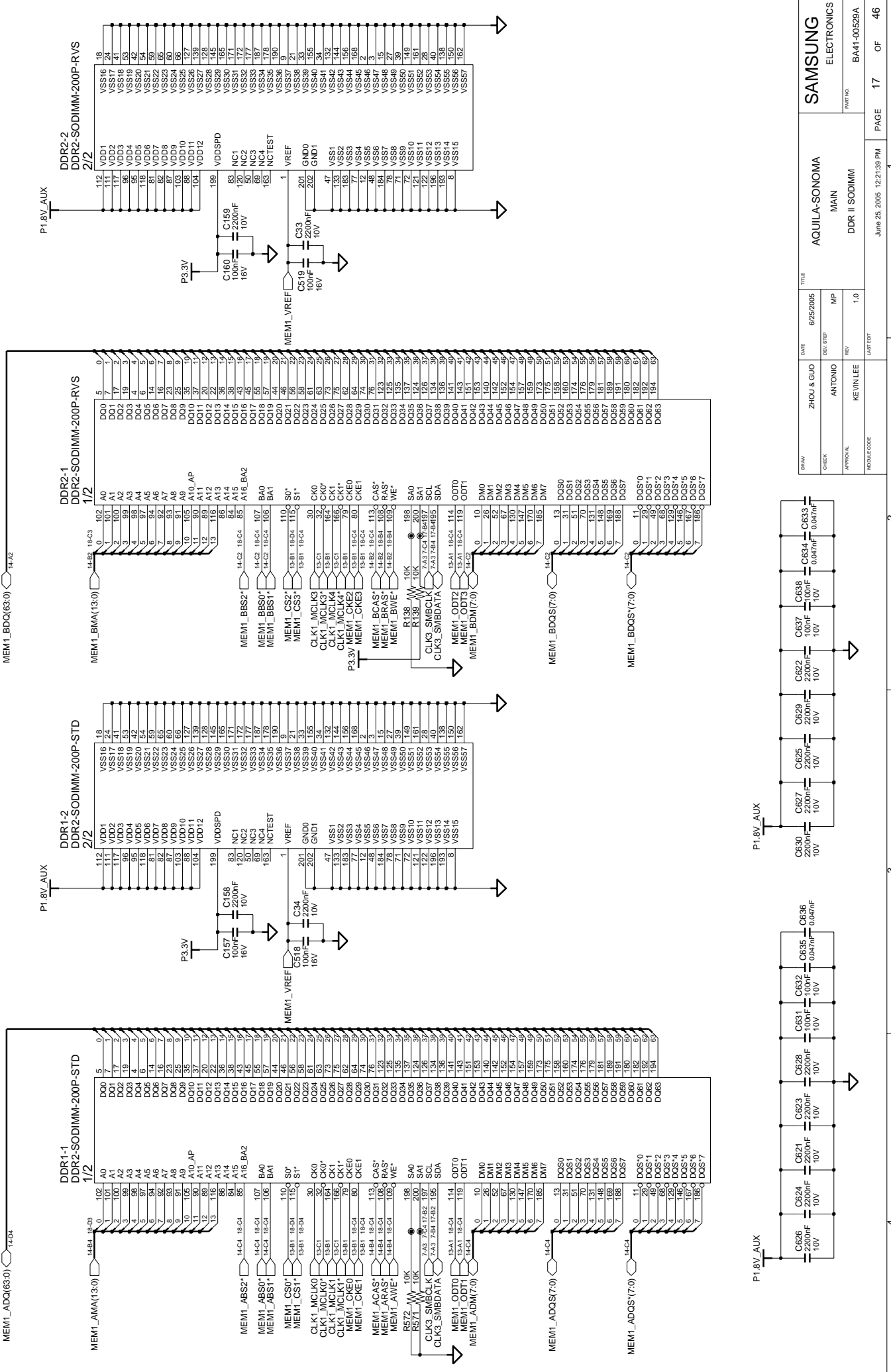
CFG

CFG

CFG

CFG

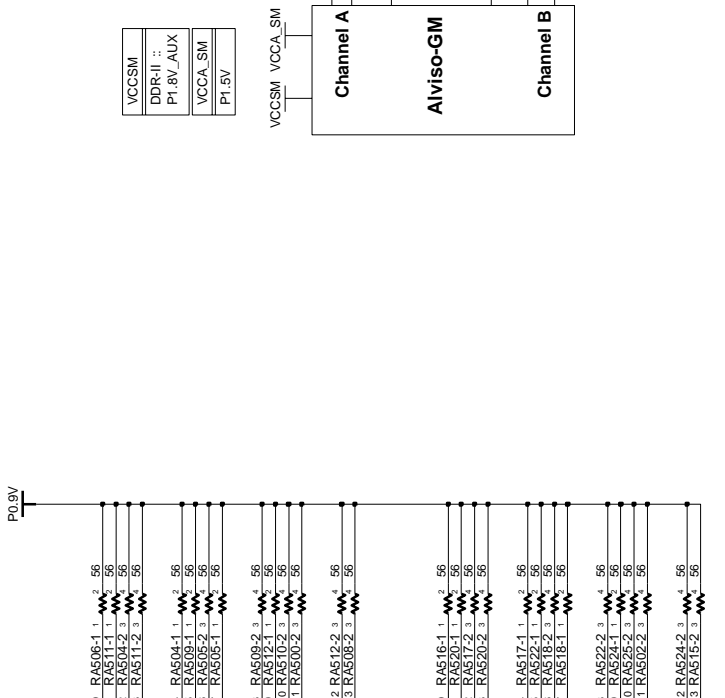
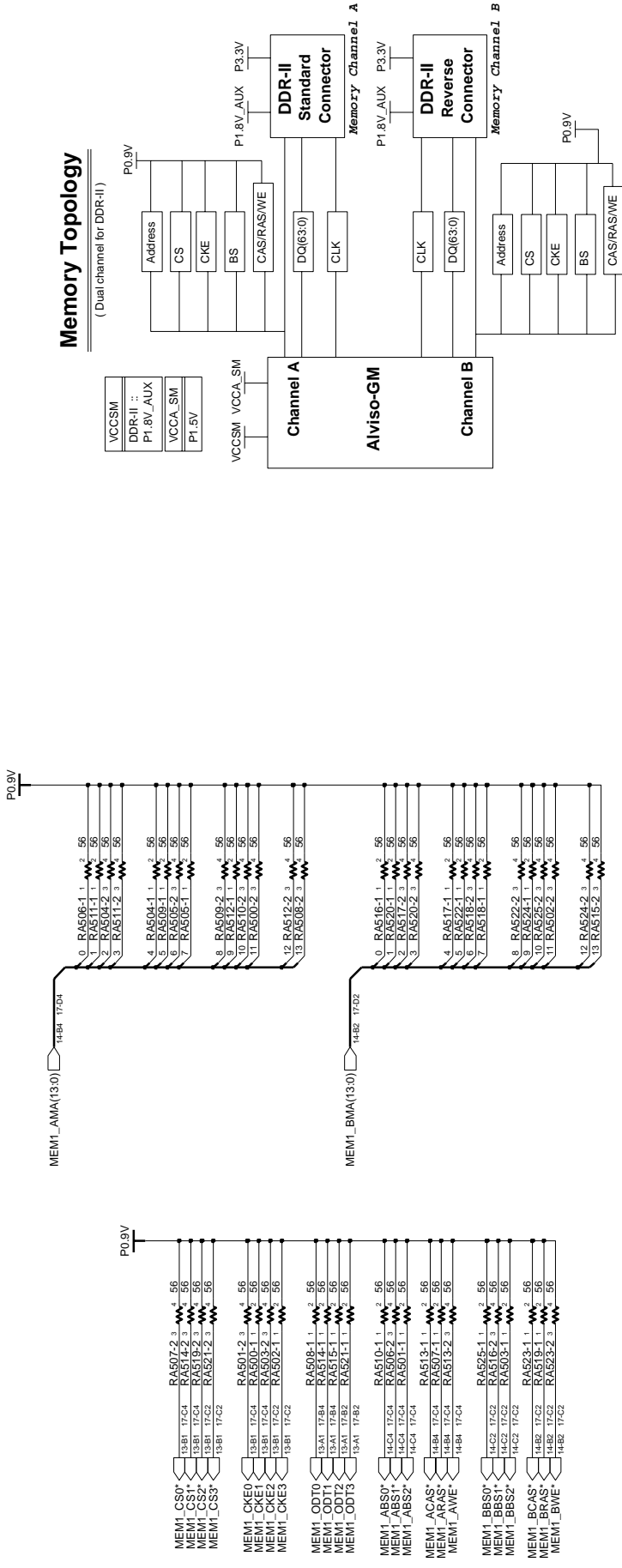
SAMSUNG PROPRIETARY
 THIS DOCUMENT CONTAINS CONFIDENTIAL
 PROPRIETARY INFORMATION. PLEASE
 CONTACT SAMSUNG ELECTRONICS
 DO NOT DISCLOSE TO OR DUPLICATE FOR OTHERS
 EXCEPT AS AUTHORIZED BY SAMSUNG.



DATE	6/25/2005	TITLE	AQUILA-SONOMA
DRWN	ZHOU & GUO	REV	MP
CHECK	ANTONIO	REV	MP
APPROVAL	KEVIN LEE	REV	1.0
MIDDLE CODE		REV	1.0

DATE	6/25/2005	TITLE	AQUILA-SONOMA
DRWN	ZHOU & GUO	REV	MP
CHECK	ANTONIO	REV	MP
APPROVAL	KEVIN LEE	REV	1.0
MIDDLE CODE		REV	1.0

SAMSUNG PROPRIETARY
 THIS DOCUMENT CONTAINS CONFIDENTIAL
 PROPRIETARY INFORMATION. PLEASE
 SAMSUNG CONFIDENTIAL INFORMATION.
 DO NOT DISCLOSE TO OR DUPLICATE FOR OTHERS
 EXCEPT AS AUTHORIZED BY SAMSUNG.

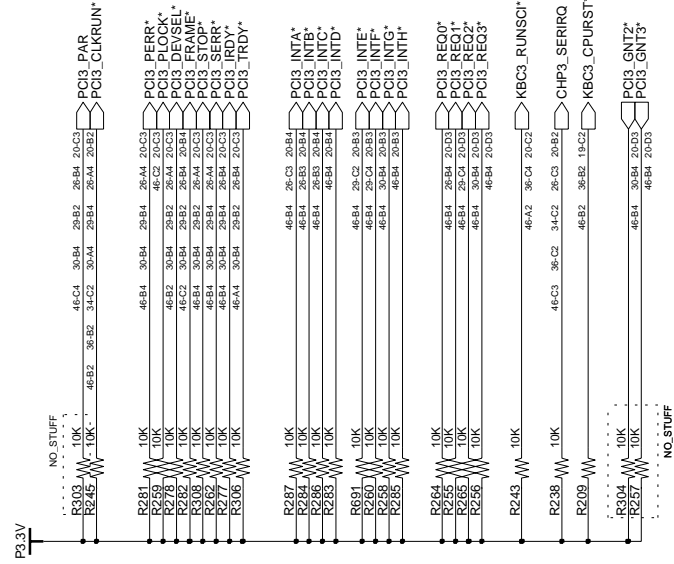
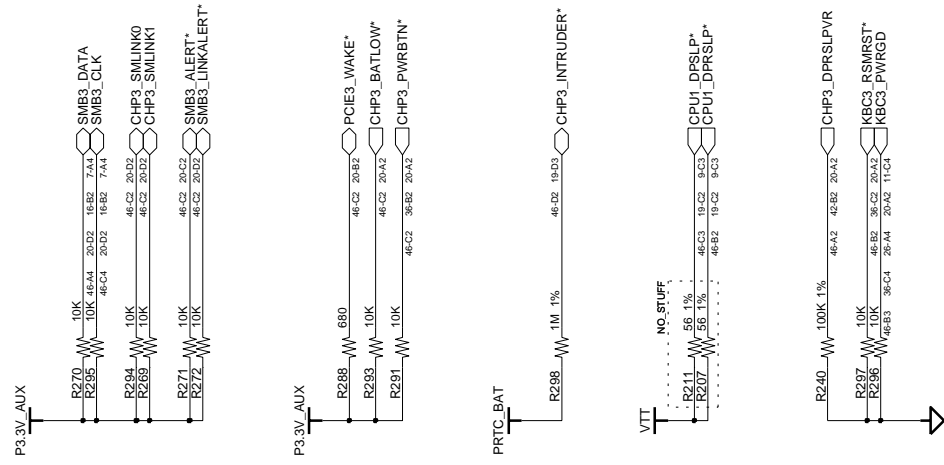
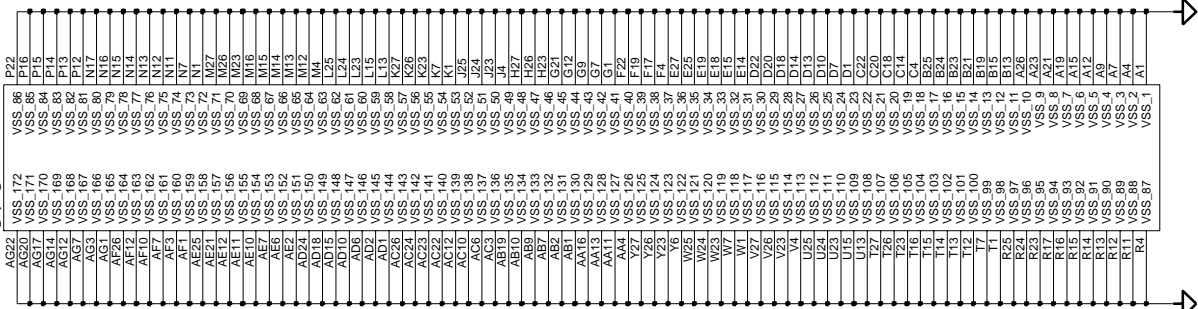


DATE	6/25/2005	TITLE	AQUILA-SONOMA
DRW	ZHOU & GUO	REV	1.0
CHECK	ANTONIO	MP	MAIN
APPROVAL	KEVIN LEE	REV	1.0
MODULE CODE		LAST EDIT	June 25, 2005 12:21:39 PM
		PAGE	18 OF 46
		SAMSUNG X06 916	

DATE	6/25/2005	TITLE	AQUILA-SONOMA
DRW	ZHOU & GUO	REV	1.0
CHECK	ANTONIO	MP	MAIN
APPROVAL	KEVIN LEE	REV	1.0
MODULE CODE		LAST EDIT	June 25, 2005 12:21:39 PM
		PAGE	18 OF 46
		SAMSUNG X06 916	

SAMSUNG PROPRIETARY
 THIS DOCUMENT CONTAINS CONFIDENTIAL
 PROPRIETARY INFORMATION. PLEASE
 SAMSUNG ELECTRONICS CO., LTD.
 DO NOT DISCLOSE TO OR DUPLICATE FOR OTHERS
 EXCEPT AS AUTHORIZED BY SAMSUNG.

U513-5
82801FBM
5 / 5



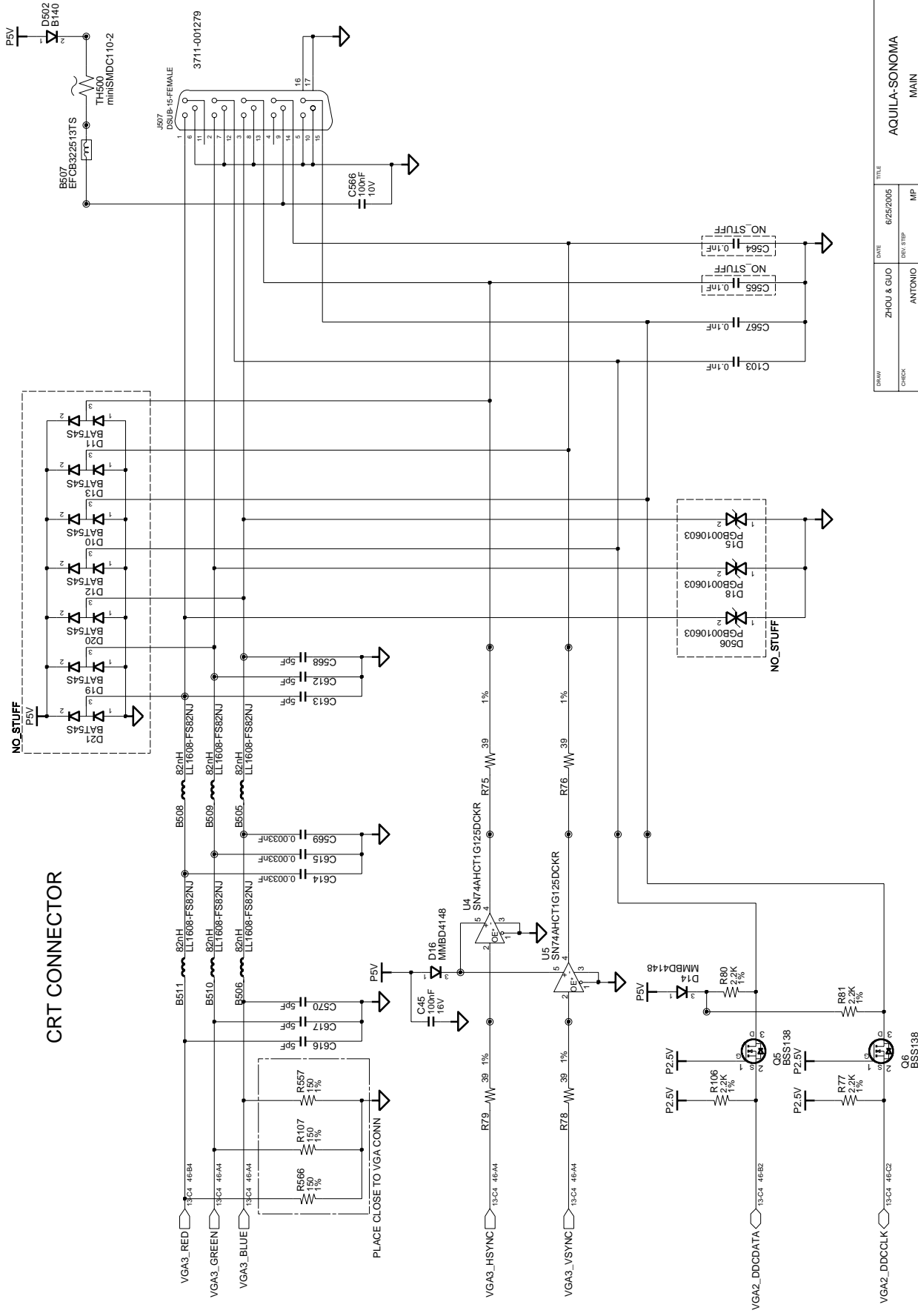
ICH6-M Strapping Options

Function	Default
CHP3_SPKR	No Reboot
CHP3_BIOSWP*	Boot BIOS
PC/PCI_GNTA*	A16 swap override
AC97_SDOUT	Safe Mode
EFP_DOUT	TBD

DRAWN	ZHOU & GUO	DATE	6/25/2005	TITLE	AQUILA-SONOMA
CHECK	ANTONIO	DRW. STEP	MP		MAIN
APPROVAL	KEVIN LEE	REV	1.0		ICH6-M (4/4)
MODULE CODE		LAST EDIT	June 25, 2005 12:21:39 PM	PAGE	22 OF 46

SAMSUNG		ELECTRONICS	
PART NO.		BA41-00529A	

SAMSUNG PROPRIETARY
 THIS DOCUMENT CONTAINS CONFIDENTIAL
 PROPRIETARY INFORMATION. PLEASE
 SAMSUNG ELECTRONICS CO., LTD.
 DO NOT DISCLOSE TO OR DUPLICATE FOR OTHERS
 EXCEPT AS AUTHORIZED BY SAMSUNG.

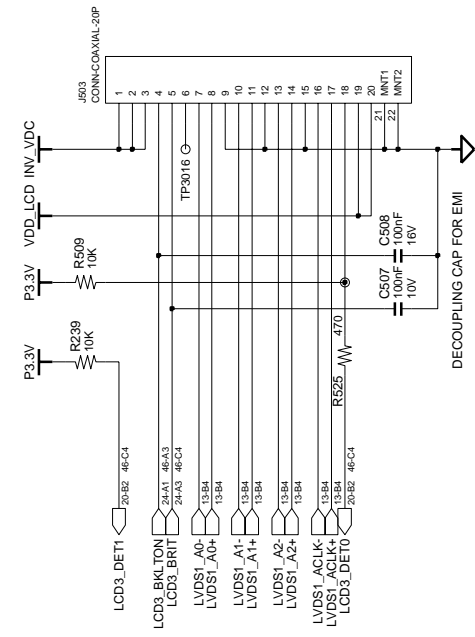


CRT CONNECTOR

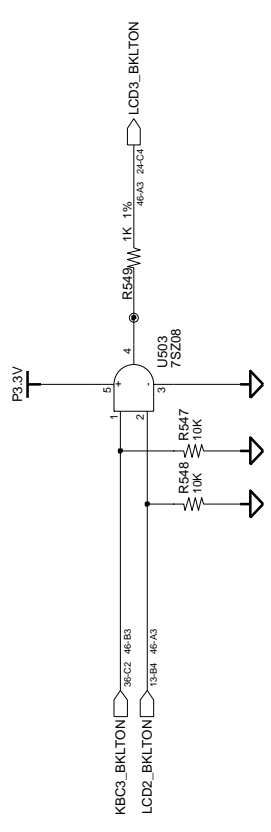
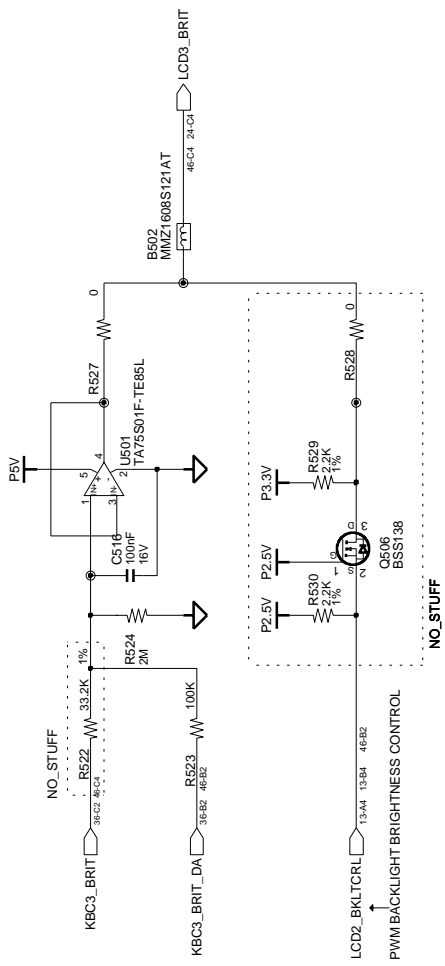
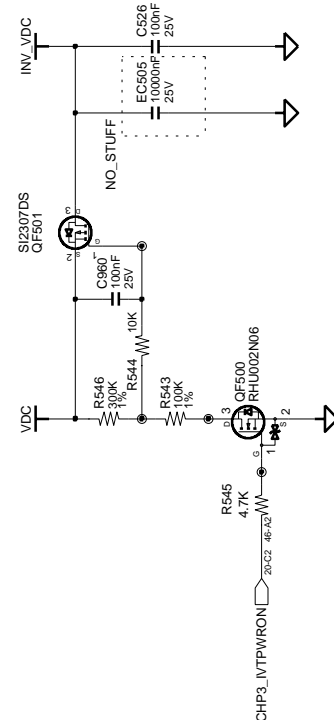
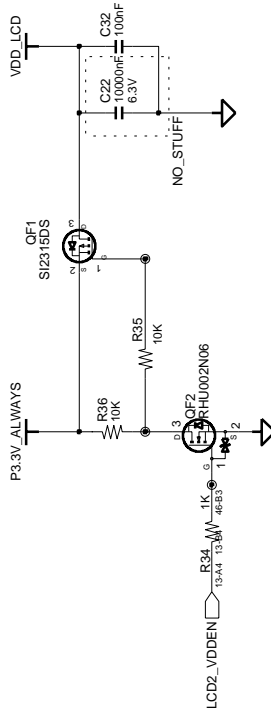
DATE		6/25/2005		TITLE		AQUILA-SONOMA	
DRAWN		ZHOU & GUO		DRAWN		MP	
CHECK		ANTONIO		REV		1.0	
APPROVAL		KEVIN LEE		PART NO.		BA41-00529A	
MODULE CODE				PART NO.		BA41-00529A	
				PAGE		23 OF 46	
				DATE		June 25, 2005 12:21:39 PM	

SAMSUNG PROPRIETARY
 THIS DOCUMENT CONTAINS CONFIDENTIAL
 PROPRIETARY INFORMATION. PLEASE
 CONTACT SAMSUNG ELECTRONICS
 DO NOT DISCLOSE TO OR DUPLICATE FOR OTHERS
 EXCEPT AS AUTHORIZED BY SAMSUNG.

XGA LCD CONNECTOR

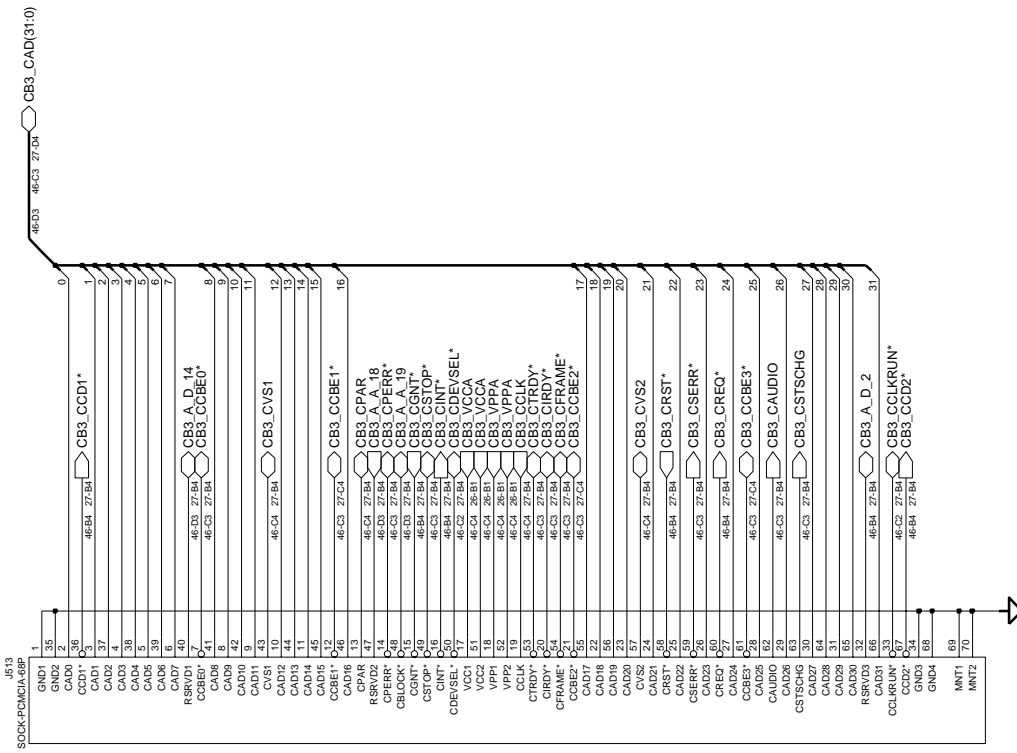


DECOUPLING CAP FOR EMI

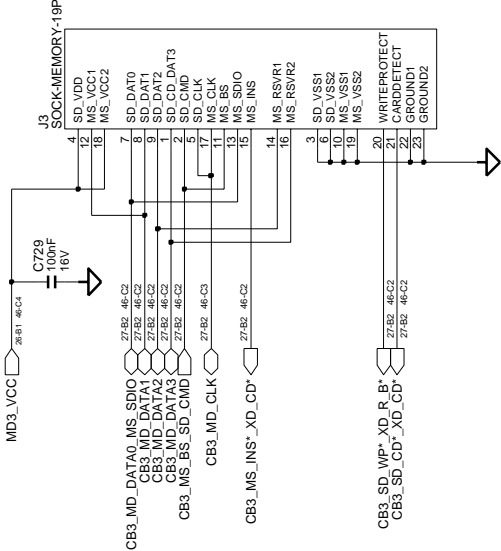
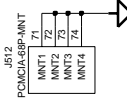


DATE	6/25/2005	TITLE	AQUILA-SONOMA
DRWN	ZHOU & GUO	CHKD	ANTONIO
ENGR. STOP	MP	APPROVAL	KEVIN LEE
REV	1.0	MODULE CODE	
LAST EDIT			
PAGE	24	OF	46
June 25, 2005 12:21:39 PM		SAMSUNG ELECTRONICS	
		PART NO. BA41-00529A	
		LCD CONNECTOR	
		MAIN	

SAMSUNG PROPRIETARY
 THIS DOCUMENT CONTAINS CONFIDENTIAL
 PROPRIETARY INFORMATION THAT IS
 SAMSUNG'S UNPUBLISHED TRADE SECRET.
 DO NOT DISCLOSE TO OR DUPLICATE FOR OTHERS
 EXCEPT AS AUTHORIZED BY SAMSUNG.

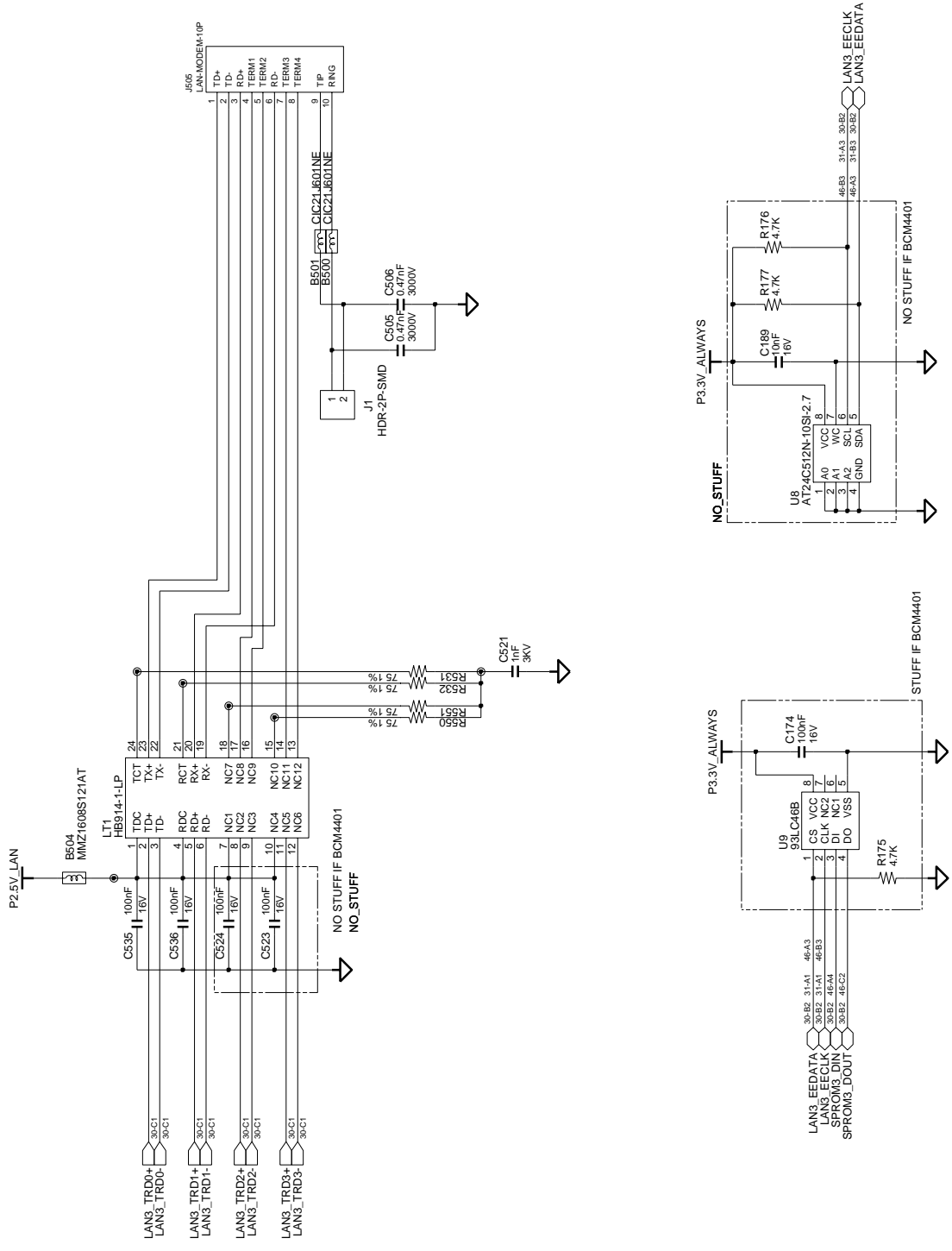


PCMCIA SOCKET BODY



DATE	6/25/2005	TITLE	AQUILA-SONOMA
DRAWN	ZHOU & GUO	REV	MP
CHECK	ANTONIO	REV	1.0
APPROVAL	KEVIN LEE	LAST EDIT	June 25, 2005 12:21:39 PM
MODULE CODE		PAGE	28 OF 46
		PART NO.	BA41-00529A
			SAMSUNG ELECTRONICS

SAMSUNG PROPRIETARY
 THIS DOCUMENT CONTAINS CONFIDENTIAL
 PROPRIETARY INFORMATION. IT IS THE PROPERTY
 OF SAMSUNG ELECTRONICS CO., LTD. AND IS TO BE
 KEPT CONFIDENTIAL. IT IS NOT TO BE REPRODUCED,
 COPIED, DISCLOSED TO OR DUPLICATED FOR OTHERS
 EXCEPT AS AUTHORIZED BY SAMSUNG.

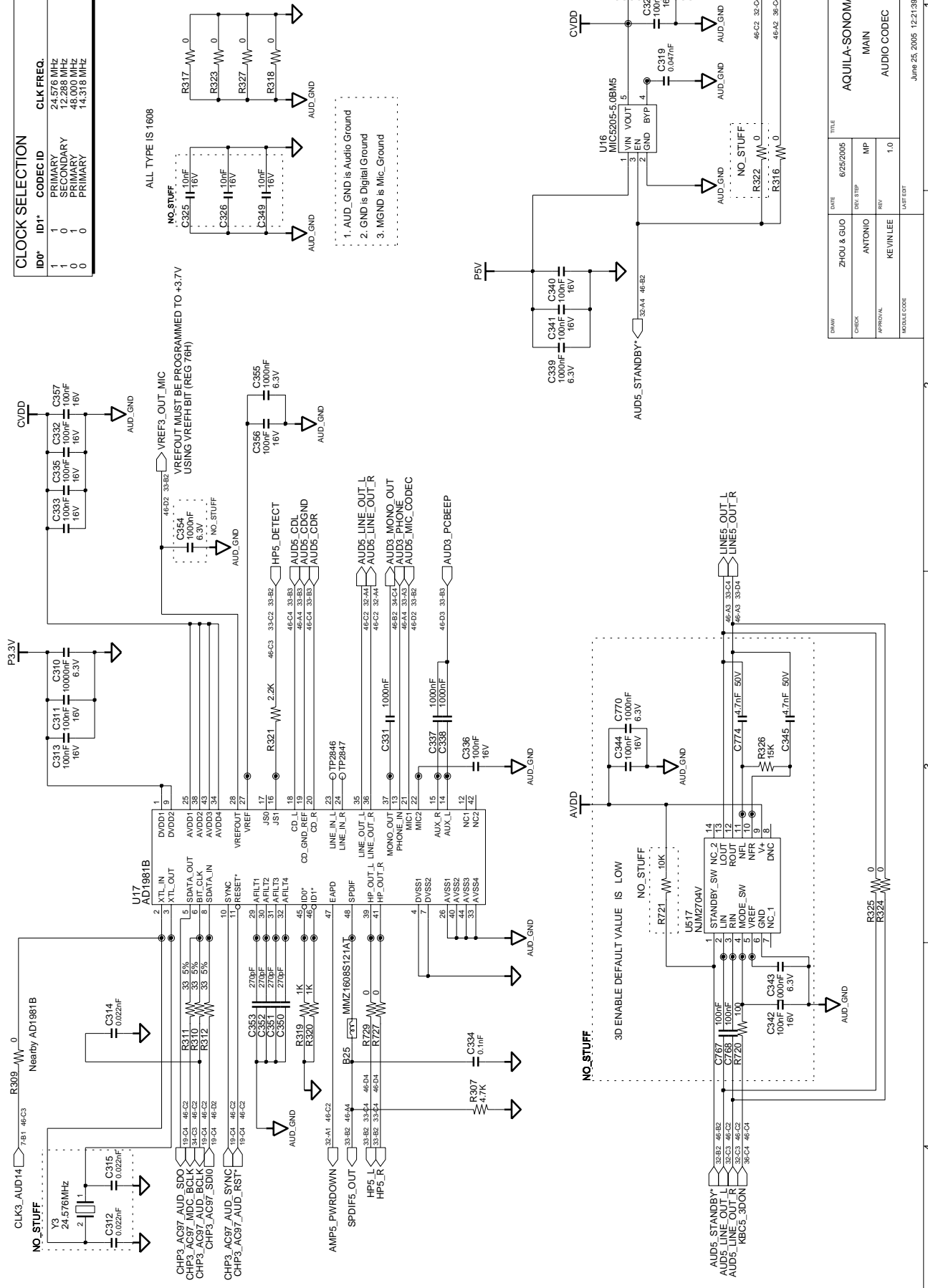


DATE	6/25/2005	TITLE	AQUILA-SONOMA
DRAWN	ZHOU & GUO	CHKD	ANTONIO
CHECK	ANTONIO	MP	LOM (2/2)
APPROVAL	KEVIN LEE	REV	1.0
MODULE CODE		LAST EDIT	June 25, 2005 12:21:39 PM
PAGE	31	OF	46
SAMSUNG ELECTRONICS		PART NO. BA41-00529A	

SAMSUNG PROPRIETARY
 THIS DOCUMENT CONTAINS CONFIDENTIAL
 PROPRIETARY INFORMATION. THESE
 SAMSUNG DOCUMENTS ARE TO BE USED
 DO NOT DISCLOSE TO OR DUPLICATE FOR OTHERS
 EXCEPT AS AUTHORIZED BY SAMSUNG.

AC97 2.3 CODEC

ID0*	ID1*	CODEC ID	CLK FREQ.	SOURCE
1	1	PRIMARY	24.576 MHz	Local XTAL
0	1	EXT. CLK	18.0 MHz	Ext. Clock (into XTAL_IN)
0	0	PRIMARY	48.000 MHz	Ext. Clock (into XTAL_IN)
0	0	PRIMARY	14.318 MHz	Ext. Clock (into XTAL_IN)



ALL TYPE IS 1608

VREFOUT MUST BE PROGRAMMED TO +3.7V
 USING VREFHBIT (REG 70H)

NO_STUFF

NO_STUFF

NO_STUFF

NO_STUFF

NO_STUFF

NO_STUFF

NO_STUFF

NO_STUFF

NO_STUFF

NO_STUFF

NO_STUFF

NO_STUFF

NO_STUFF

NO_STUFF

NO_STUFF

NO_STUFF

NO_STUFF

NO_STUFF

NO_STUFF

NO_STUFF

NO_STUFF

NO_STUFF

NO_STUFF

NO_STUFF

NO_STUFF

NO_STUFF

NO_STUFF

NO_STUFF

NO_STUFF

NO_STUFF

NO_STUFF

NO_STUFF

NO_STUFF

NO_STUFF

NO_STUFF

NO_STUFF

NO_STUFF

NO_STUFF

NO_STUFF

NO_STUFF

NO_STUFF

NO_STUFF

NO_STUFF

NO_STUFF

NO_STUFF

NO_STUFF

NO_STUFF

NO_STUFF

NO_STUFF

NO_STUFF

NO_STUFF

NO_STUFF

NO_STUFF

NO_STUFF

NO_STUFF

NO_STUFF

NO_STUFF

NO_STUFF

NO_STUFF

NO_STUFF

NO_STUFF

NO_STUFF

NO_STUFF

NO_STUFF

NO_STUFF

NO_STUFF

NO_STUFF

NO_STUFF

NO_STUFF

NO_STUFF

NO_STUFF

NO_STUFF

NO_STUFF

NO_STUFF

NO_STUFF

NO_STUFF

NO_STUFF

NO_STUFF

NO_STUFF

NO_STUFF

NO_STUFF

NO_STUFF

NO_STUFF

NO_STUFF

NO_STUFF

NO_STUFF

NO_STUFF

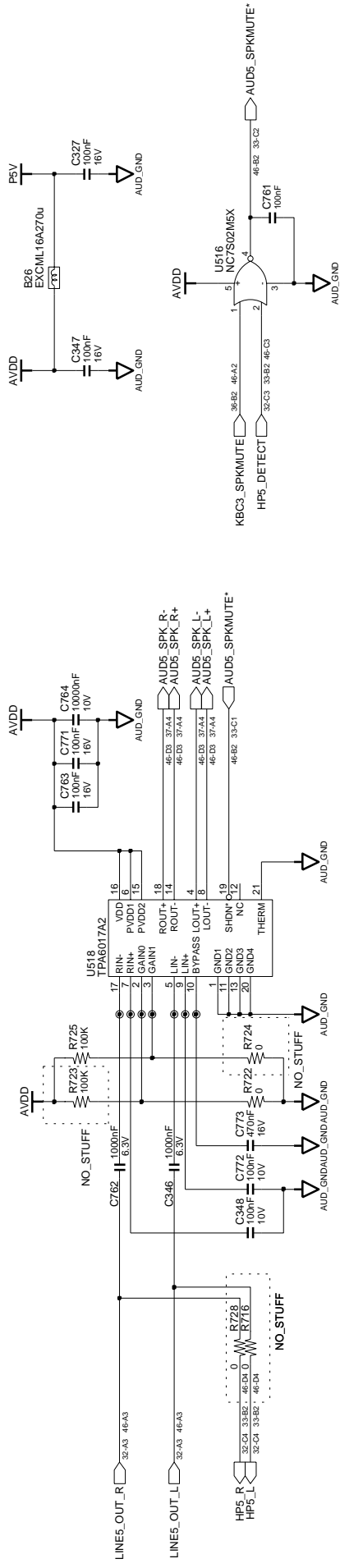
NO_STUFF

NO_STUFF

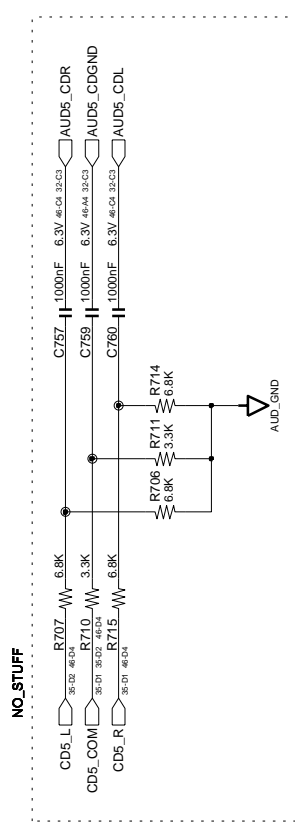
DATE	6/25/2005	TITLE	AQUILA-SONOMA
DRAWN	ZHOU & GUO	REV	MP
CHECK	ANTONIO	REV	MP
APPROVAL	KEVIN LEE	REV	1.0
MODULE CODE		LAST EDIT	June 25, 2005 12:21:39 PM
		PAGE	32 OF 46
		PART NO.	BA41-00529A
			BA41-00529A

DATE	6/25/2005	TITLE	AQUILA-SONOMA
DRAWN	ZHOU & GUO	REV	MP
CHECK	ANTONIO	REV	MP
APPROVAL	KEVIN LEE	REV	1.0
MODULE CODE		LAST EDIT	June 25, 2005 12:21:39 PM
		PAGE	32 OF 46
		PART NO.	BA41-00529A
			BA41-00529A

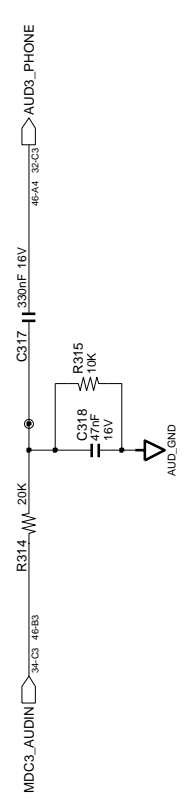
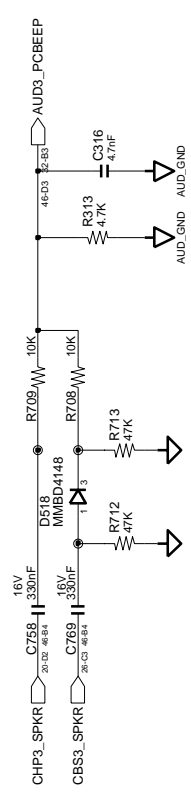
SAMSUNG PROPRIETARY
 THIS DOCUMENT CONTAINS CONFIDENTIAL
 PROPRIETARY INFORMATION. PLEASE
 SAMSUNG CONFIDENTIAL INFORMATION.
 DO NOT DISCLOSE TO OR DUPLICATE FOR OTHERS
 EXCEPT AS AUTHORIZED BY SAMSUNG.



10dB GAIN

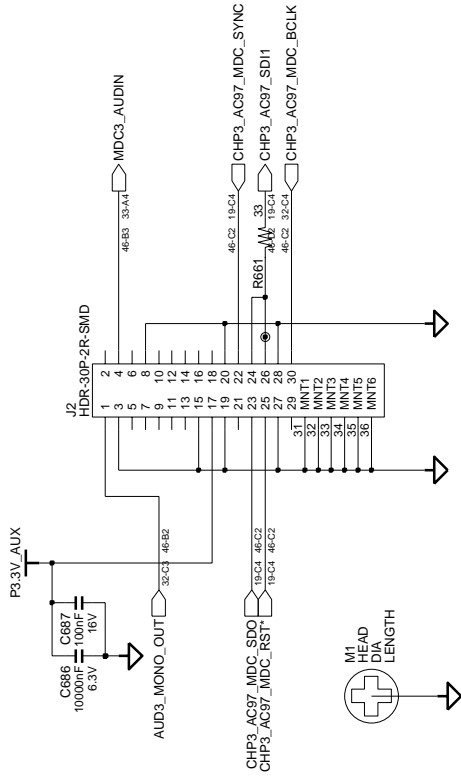


NO_STUFF

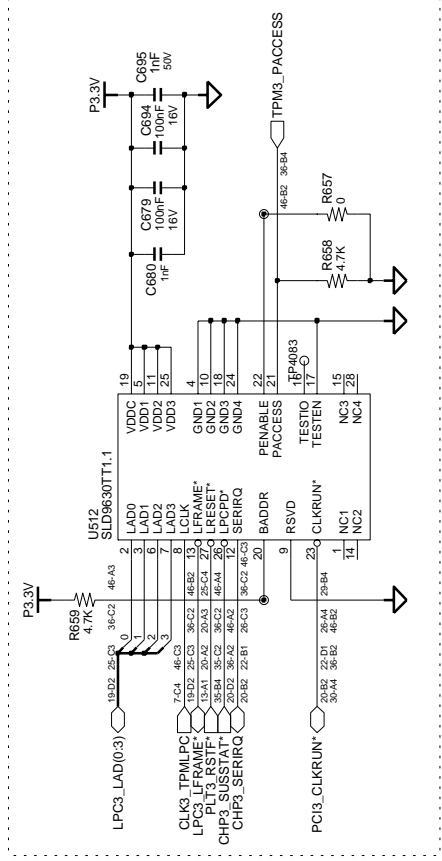


SAMSUNG PROPRIETARY
 THIS DOCUMENT CONTAINS CONFIDENTIAL
 PROPRIETARY INFORMATION. PLEASE
 SAMSUNG ELECTRONICS CO. OR ITS AFFILIATES.
 DO NOT DISCLOSE TO OR DUPLICATE FOR OTHERS
 EXCEPT AS AUTHORIZED BY SAMSUNG.

MDC Connector

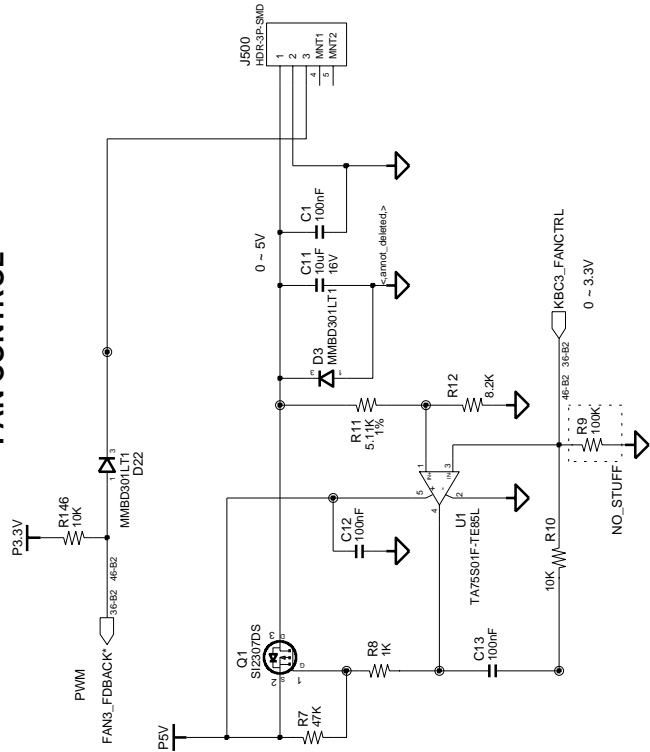


TPM

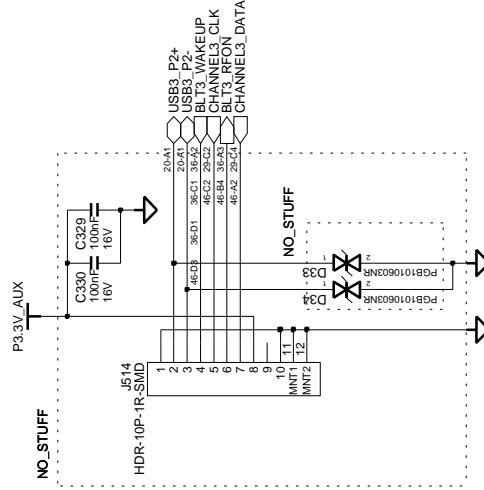


NO_STUFF

FAN CONTROL

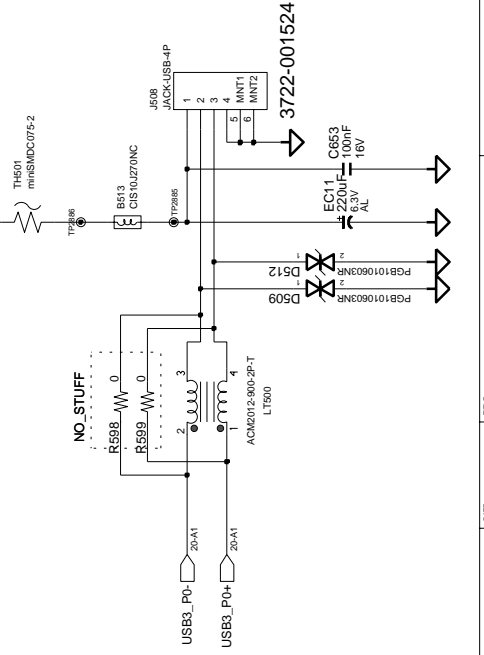


BLUETOOTH CONNECTOR



NO_STUFF

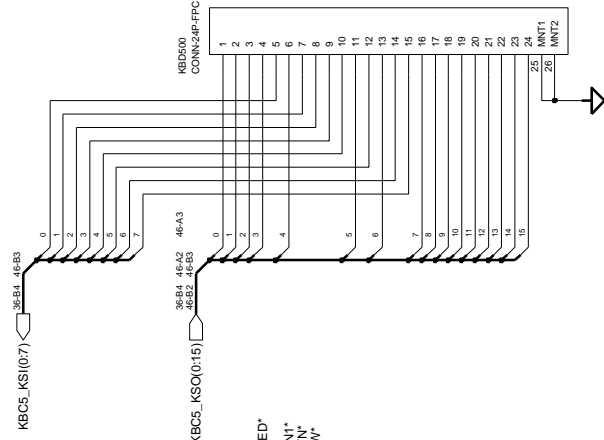
USB connector



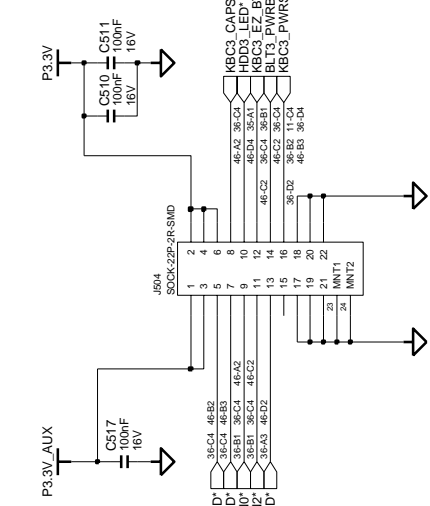
DATE	6/25/2005	TITLE	AQUILA-SONOMA
DRW	ZHOU & GUO	CHK	ANTONIO
REV	MP	REV	KEVIN LEE
REV	1.0	REV	KEVIN LEE
DATE	6/25/2005	TITLE	AQUILA-SONOMA
DRW	ZHOU & GUO	CHK	ANTONIO
REV	MP	REV	KEVIN LEE
REV	1.0	REV	KEVIN LEE
DATE	6/25/2005	TITLE	AQUILA-SONOMA
DRW	ZHOU & GUO	CHK	ANTONIO
REV	MP	REV	KEVIN LEE
REV	1.0	REV	KEVIN LEE

SAMSUNG PROPRIETARY
 THIS DOCUMENT CONTAINS CONFIDENTIAL
 PROPRIETARY INFORMATION OF SAMSUNG.
 SAMSUNG ELECTRONICS CO., LTD.
 DO NOT DISCLOSE TO OR DUPLICATE FOR OTHERS
 EXCEPT AS AUTHORIZED BY SAMSUNG.

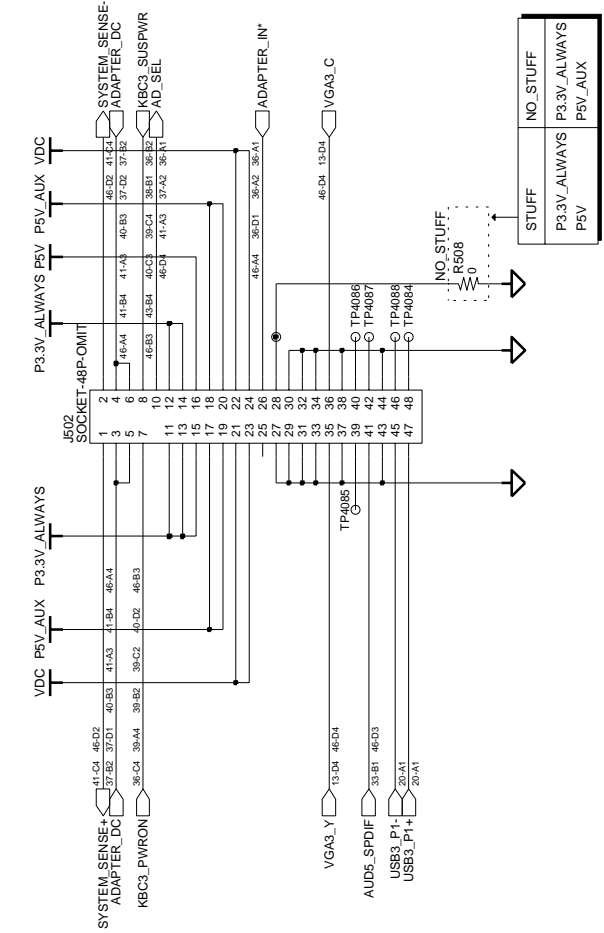
KEYBOARD



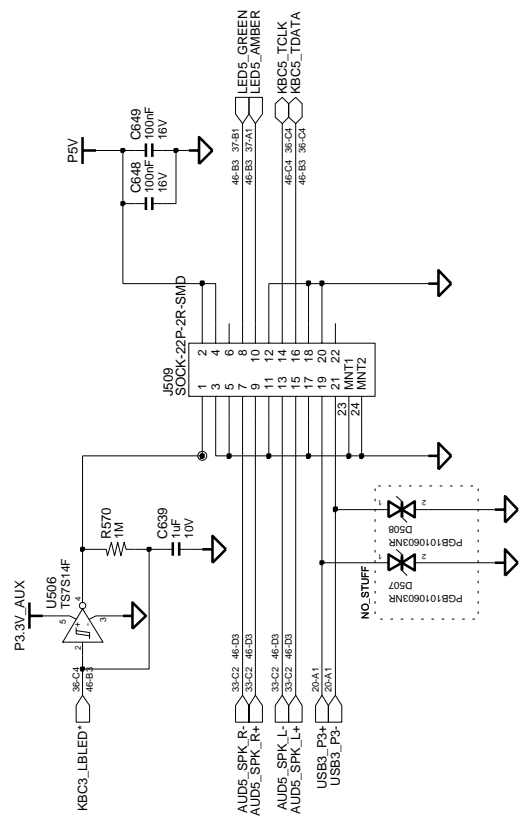
MAIN TO ON-TOP



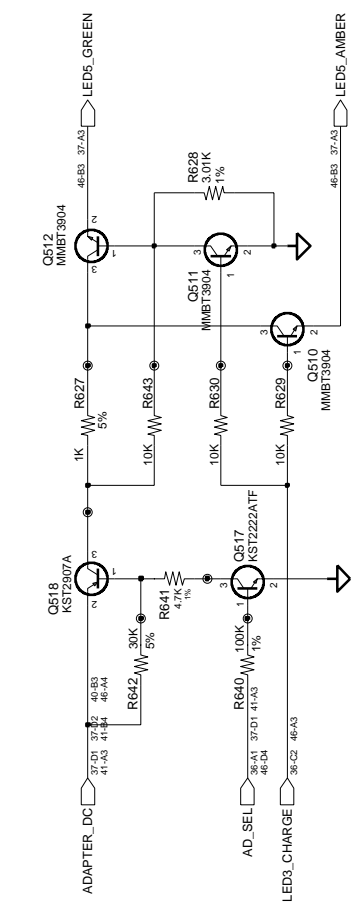
Main to DC/DC BOARD



TOUCHPAD CONNECTOR



ADAPTERIN/CHARGING LED

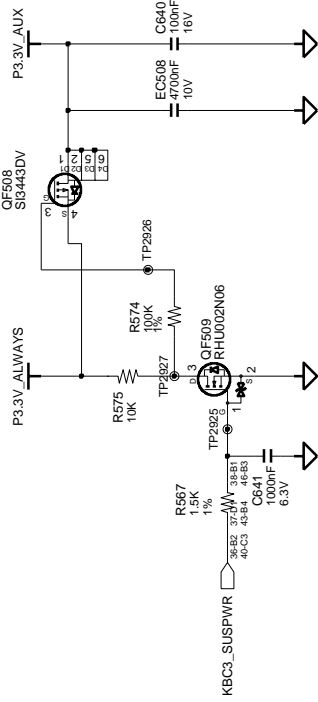


DRAWN	ZHOU & GUO	DATE	6/25/2005	TITLE	AQUILA-SONOMA
CHECK	ANTONIO	DRW. STEP	MP	REV	MAIN
APPROVAL	KEVIN LEE	REV	1.0	MODULE CODE	B'd to B'd CONN
PART NO.		BA41-00529A		PAGE 37 OF 46	
MODULE CODE		JUNE 25, 2005 12:21:39 PM		SAMSUNG X06 9.37	

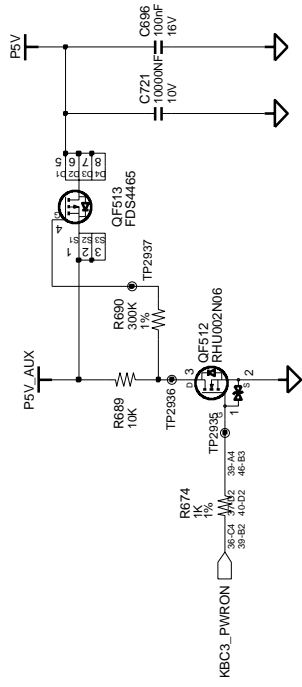
SAMSUNG ELECTRONICS	
AQUILA-SONOMA MAIN	
B'd to B'd CONN	
PART NO. BA41-00529A	
PAGE 37 OF 46	
SAMSUNG X06 9.37	

SAMSUNG PROPRIETARY
 THIS DOCUMENT CONTAINS CONFIDENTIAL
 PROPRIETARY INFORMATION. PLEASE
 SAMSUNG ELECTRONICS CO. OR ITS AFFILIATES.
 DO NOT DISCLOSE TO OR DUPLICATE FOR OTHERS
 EXCEPT AS AUTHORIZED BY SAMSUNG.

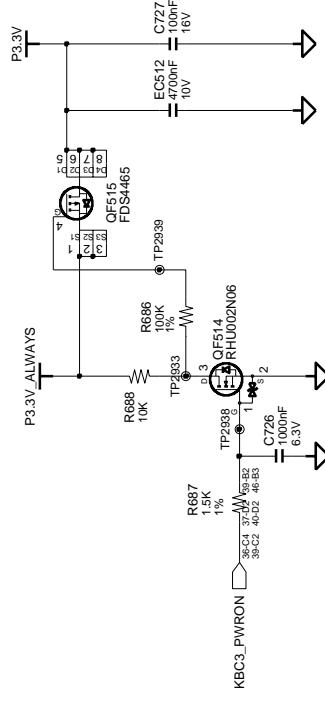
Switched Power On (P3.3V_AUX)



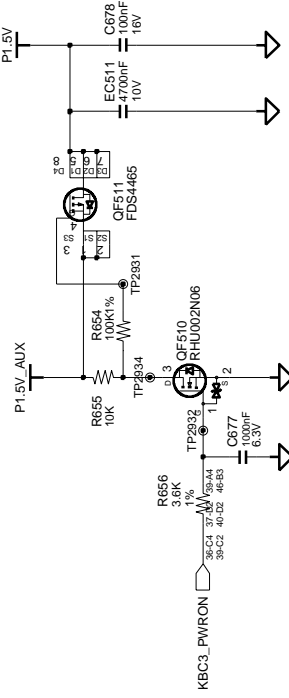
Switched Power On (P5V)



Switched Power On (P3.3V)



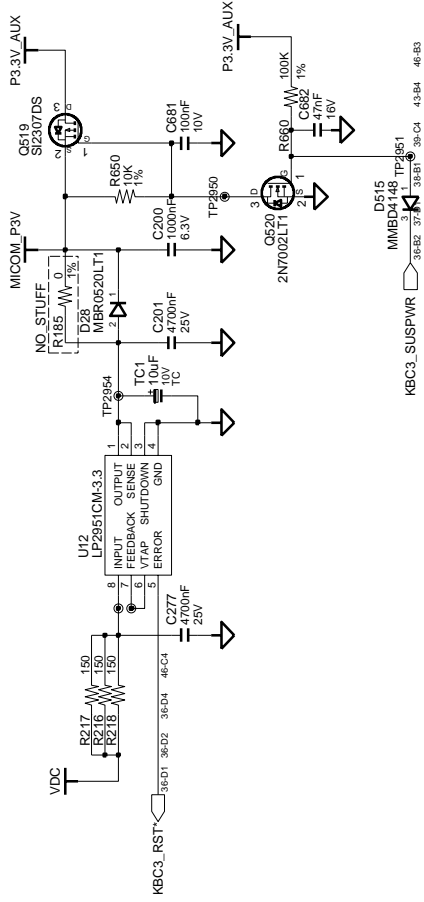
Switched Power On (P1.5V)



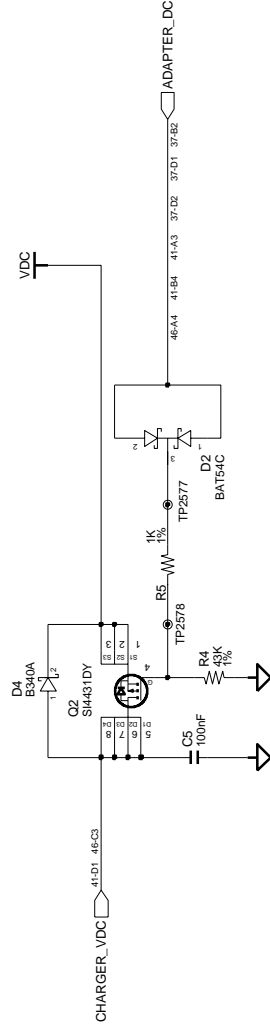
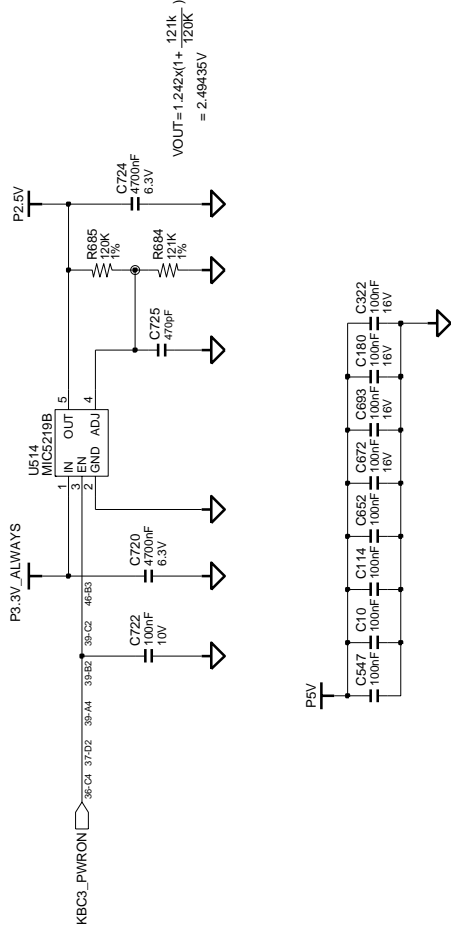
DATE	6/25/2005	TITLE	AQUILA-SONOMA
DRAWN	ZHOU & GUO	REV	1.0
CHECK	ANTONIO	MP	
APPROVAL	KEVIN LEE	SWITCHED POWER	
MODULE CODE			
SAMSUNG ELECTRONICS		PART NO. BA41-00529A	
PAGE 39		OF 46	
June 25, 2005 12:21:39 PM			

SAMSUNG PROPRIETARY
 THIS DOCUMENT CONTAINS CONFIDENTIAL
 PROPRIETARY INFORMATION. PLEASE
 SAMSUNG ELECTRONICS CO. OR ITS AFFILIATES.
 DO NOT DISCLOSE TO OR DUPLICATE FOR OTHERS
 EXCEPT AS AUTHORIZED BY SAMSUNG.

MICOM_P3V



P2.5V

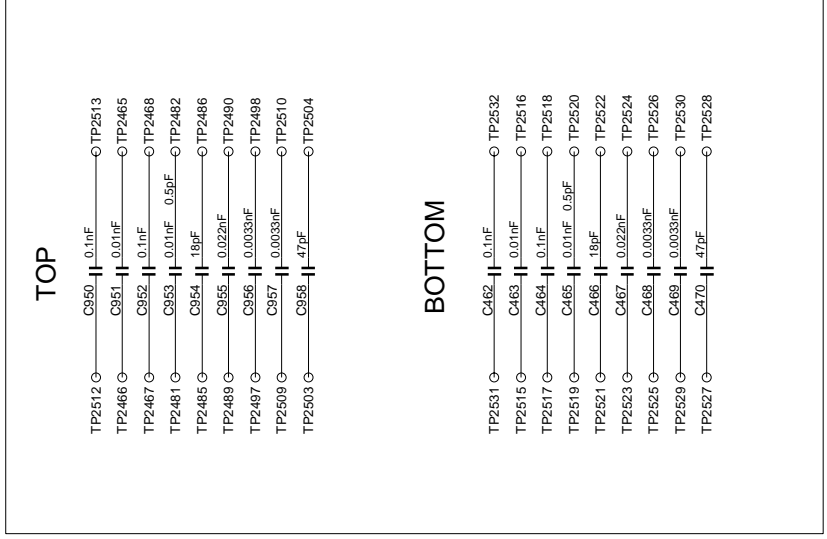


DATE	6/25/2005	TITLE	AQUILA-SONOMA
DESIGNER	ZHOU & GUO	REV	MP
CHECKER	ANTONIO	REV	1.0
APPROVAL	KEVIN LEE	MODULE CODE	MICOM_P3V / P2.5V
LAST EDIT		PAGE	40
		OF	46

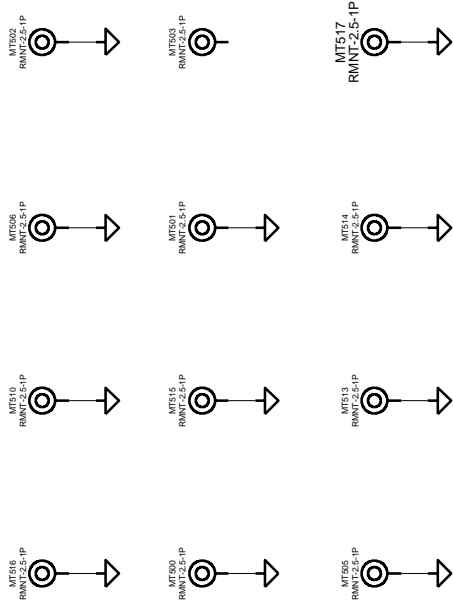
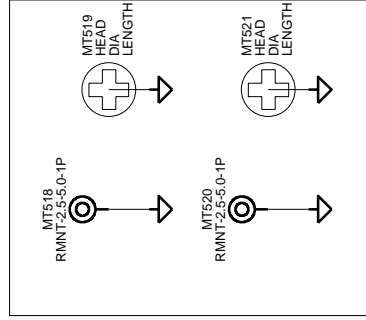
DRAWN	ZHOU & GUO	DATE	6/25/2005	TITLE	AQUILA-SONOMA
CHECK	ANTONIO	DESIGNER	ZHOU & GUO	REV	MP
APPROVAL	KEVIN LEE	REV	1.0	MODULE CODE	MICOM_P3V / P2.5V
LAST EDIT		PAGE	40	OF	46

SAMSUNG PROPRIETARY
 THIS DOCUMENT CONTAINS CONFIDENTIAL
 PROPRIETARY INFORMATION. IT IS THE PROPERTY
 OF SAMSUNG ELECTRONICS CO., LTD. AND IS TO BE
 KEPT SECRET. IT IS NOT TO BE REPRODUCED,
 COPIED, OR DISCLOSED TO OR DUPLICATED FOR OTHERS
 EXCEPT AS AUTHORIZED BY SAMSUNG.

THESE ARE USED FOR INTERNAL CIRCUIT TEST
 TO COMPARE CAPACITORS WHICH ARE UNDER 100pF

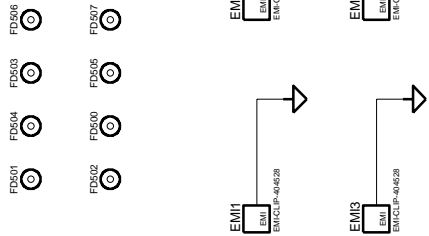


FOR THERMAL



PCB REVISION CONTROL (ICT)		
NO	CONNECTION DATE(Y/M/MDD)	REVISION STEP
1	N.C.	1.0 MP
2	1-2	
3	2-3	
4	3-1	
5	1-2-3	
6	N.C.	
7	1-2	
8	2-3	
9	3-1	
10	1-2-3	

REV:000
 1 O
 2 O O3



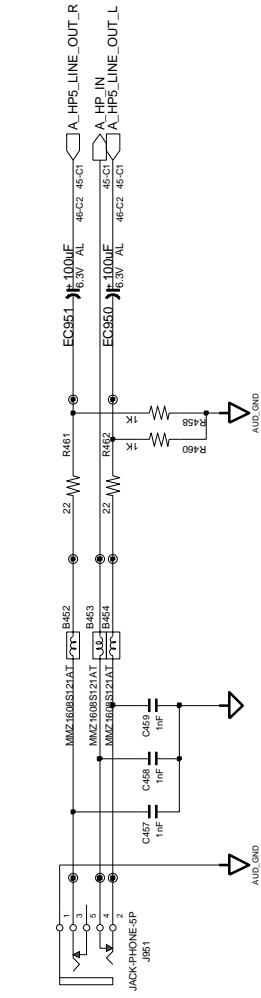
DATE	6/25/2005	TITLE	AQUILA-SONOMA
DRAWN	ZHOU & GUO	DEV. STEP	MP
CHECK	ANTONIO	REV	1.0
APPROVAL	KEVIN LEE	LAST EDIT	June 25, 2005 12:21:39 PM
MODULE CODE		PAGE	44 OF 46
		PART NO.	BA41-00529A
		PCB STUFFS	PCB STUFFS

SAMSUNG
 ELECTRONICS

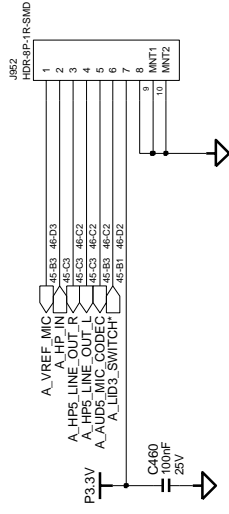
SAMSUNG PROPRIETARY
 THIS DOCUMENT CONTAINS CONFIDENTIAL
 PROPRIETARY INFORMATION. THIS IS
 SAMSUNG PROPERTY. THIS DOCUMENT
 DO NOT DISCLOSE TO OR DUPLICATE FOR OTHERS
 EXCEPT AS AUTHORIZED BY SAMSUNG.

AUDIO BOARD

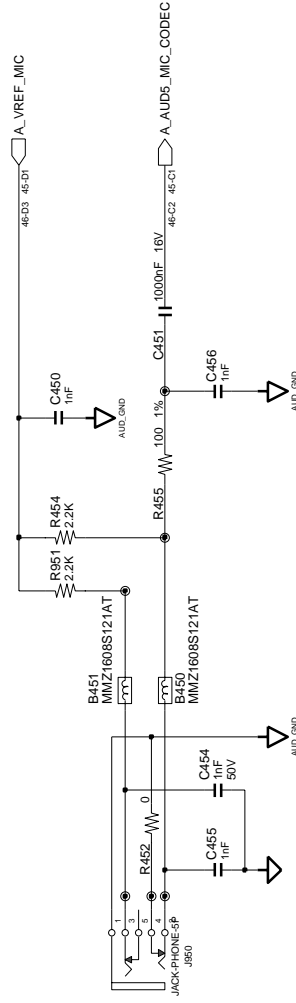
HEADPHONE



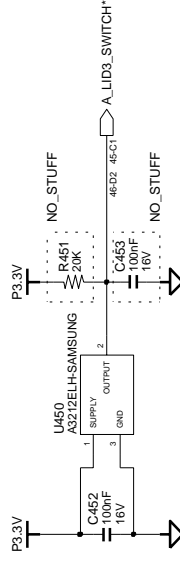
B'D TO B'D CONN



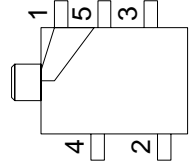
EXTERNAL MIC



LID SWITCH



TOP VIEW



DATE	6/25/2005	TITLE	AQUILA-SONOMA SUB BOARD AUDIO BOARD
DRAWN	ZHOU & GUO	CHKD	ANTONIO
CHECK	ANTONIO	MP	
APPROVAL	KEVIN LEE	REV	1.0
MODULE CODE		LAST EDIT	June 25, 2005 12:21:39 PM
PART NO.	BA41-00529A	PAGE	45 OF 46

9 Schematic Diagram

9-1-2 Signal Location

Net Name	Sheet Number-Location
A_AUD5_MIC_CODEC	45-B3, 45-C1, 46-C2
A_HP_IN	45-C1, 45-C3
A_HP5_LINE_OUT_L	45-C1, 45-C3, 46-C2
A_HP5_LINE_OUT_R	45-C1, 45-C3, 46-C2
A_LID3_SWITCH*	45-B1, 45-C1, 46-D2
A_VREF_MIC	45-B3, 45-D1, 46-D3
AD_SEL	36-A1, 37-A2, 37-D1, 41-A3, 46-D4
ADAPTER_DC	37-B2, 37-D1, 37-D2, 40-B3, 41-A3, 41-A3, 41-B4, 46-A4
ADAPTER_IN*	36-A1, 36-A2, 36-D1, 37-C1, 46-A4
AMP5_PWRDOWN	32-A1, 32-C4, 46-C2
AUD3_MONO_OUT	32-C3, 34-C4, 46-B2
AUD3_PCBEEP	32-B3, 33-B3, 46-D3
AUD3_PHONE	32-C3, 33-A3, 46-A4
AUD5_CDGND	32-C3, 33-B3, 46-A4
AUD5_CDL	32-C3, 33-B3, 46-C4
AUD5_CDR	32-C3, 33-B3, 46-C4
AUD5_LINE_OUT_L	32-A4, 32-C3, 46-C2
AUD5_LINE_OUT_R	32-A4, 32-C3, 46-C2
AUD5_MIC_CODEC	32-C3, 33-B2, 46-D2
AUD5_SPDIF	33-B1, 37-C2, 46-D3
AUD5_SPK_L-	33-C2, 37-A4, 46-D3
AUD5_SPK_L+	33-C2, 37-A4, 46-D3
AUD5_SPK_R-	33-C2, 37-A4, 46-D3
AUD5_SPK_R+	33-C2, 37-A4, 46-D3
AUD5_SPKMUTE*	33-C1, 33-C2, 46-B2
AUD5_STANDBY*	32-A4, 32-B2, 46-B2
BAT3_SMCLK*	41-B2, 41-C1, 46-D3
BAT3_SMDATA*	41-B2, 41-C1, 46-C2
BAT3_TEMP	36-B2, 36-D2, 41-D1, 46-B4
BAT3_VOLT	36-B2, 41-C1, 46-B4
BLT3_BTON_LED*	36-A3, 37-C4, 46-D2
BLT3_PWRBTN*	36-C4, 37-C3, 46-C2
BLT3_RFON	34-B2, 36-A3, 46-B4
BLT3_WAKEUP	34-B2, 36-A2, 36-C1, 36-D1, 46-D3

Net Name	Sheet Number-Location
CB3_A_A_18	27-B4, 28-C3, 46-D3
CB3_A_A_19	27-B4, 28-C3, 46-D3
CB3_A_D_14	27-B4, 28-D3, 46-D3
CB3_A_D_2	27-B4, 28-B3, 46-B4
CB3_CAD(0)	27-D4, 28-D3, 46-D3
CB3_CAD(1)	27-D4, 28-D3, 46-D3
CB3_CAD(10)	27-D4, 28-D3, 46-D3
CB3_CAD(11)	27-D4, 28-D3, 46-D3
CB3_CAD(12)	27-D4, 28-D3, 46-D3
CB3_CAD(13)	27-D4, 28-D3, 46-D3
CB3_CAD(14)	27-D4, 28-D3, 46-D3
CB3_CAD(15)	27-D4, 28-D3, 46-D3
CB3_CAD(16)	27-D4, 28-D3, 46-D3
CB3_CAD(17)	27-D4, 28-D3, 46-C3
CB3_CAD(18)	27-D4, 28-D3, 46-C3
CB3_CAD(19)	27-D4, 28-D3, 46-C3
CB3_CAD(2)	27-D4, 28-D3, 46-D3
CB3_CAD(20)	27-D4, 28-D3, 46-C3
CB3_CAD(21)	27-D4, 28-D3, 46-C3
CB3_CAD(22)	27-D4, 28-D3, 46-C3
CB3_CAD(23)	27-D4, 28-D3, 46-C3
CB3_CAD(24)	27-D4, 28-D3, 46-C3
CB3_CAD(25)	27-D4, 28-D3, 46-C3
CB3_CAD(26)	27-D4, 28-D3, 46-C3
CB3_CAD(27)	27-D4, 28-D3, 46-C3
CB3_CAD(28)	27-D4, 28-D3, 46-C3
CB3_CAD(29)	27-D4, 28-D3, 46-C3
CB3_CAD(3)	27-D4, 28-D3, 46-D3
CB3_CAD(30)	27-D4, 28-D3, 46-C3
CB3_CAD(31)	27-D4, 28-D3, 46-C3
CB3_CAD(31:0)	27-D4, 28-D3
CB3_CAD(4)	27-D4, 28-D3, 46-D3
CB3_CAD(5)	27-D4, 28-D3, 46-D3
CB3_CAD(6)	27-D4, 28-D3, 46-D3
CB3_CAD(7)	27-D4, 28-D3, 46-D3
CB3_CAD(8)	27-D4, 28-D3, 46-D3
CB3_CAD(9)	27-D4, 28-D3, 46-C3
CB3_CAUDIO	27-B4, 28-B3, 46-C3

9 Schematic Diagram

Net Name	Sheet Number-Location
CB3_CCBE0*	27-B4, 28-D3, 46-C3
CB3_CCBE1*	27-C4, 28-C3, 46-C3
CB3_CCBE2*	27-C4, 28-C3, 46-C3
CB3_CCBE3*	27-C4, 28-B3, 46-C3
CB3_CCD1*	27-B4, 28-D3, 46-B4
CB3_CCD2*	27-B4, 28-B3, 46-B4
CB3_CCLK	27-B4, 28-C3, 46-C4
CB3_CCLKRUN*	27-B4, 28-B3, 46-C2
CB3_CDEVSEL*	27-B4, 28-C3, 46-C2
CB3_CFRAME*	27-B4, 28-C3, 46-C3
CB3_CGNT*	27-B4, 28-C3, 46-B4
CB3_CINT*	27-B4, 28-C3, 46-B4
CB3_CIRDY*	27-B4, 28-C3, 46-C3
CB3_CPAR	27-B4, 28-C3, 46-C4
CB3_CPERR*	27-B4, 28-C3, 46-C3
CB3_CREQ*	27-B4, 28-B3, 46-B4
CB3_CRST*	27-B4, 28-B3, 46-B4
CB3_CSERR*	27-B4, 28-B3, 46-C3
CB3_CSTOP*	27-B4, 28-C3, 46-C3
CB3_CSTSCHG	27-B4, 28-B3, 46-C3
CB3_CTRDY*	27-B4, 28-C3, 46-C3
CB3_CVS1	27-B4, 28-C3, 46-C4
CB3_CVS2	27-B4, 28-B3, 46-C4
CB3_MD_CLK	27-B2, 28-B2, 46-C3
CB3_MD_DATA0_MS_SDIO	27-B2, 28-C2, 46-C2
CB3_MD_DATA1	27-B2, 28-C2, 46-C2
CB3_MD_DATA2	27-B2, 28-C2, 46-C2
CB3_MD_DATA3	27-B2, 28-B2, 46-C2
CB3_MD_VCCEN	26-B2, 27-B2, 46-C2
CB3_MS_BS_SD_CMD	27-B2, 28-B2, 46-C2
CB3_MS_INS*_XD_CD*	27-B2, 28-B2, 46-C2
CB3_SD_CD*_XD_CD*	27-B2, 28-B2, 46-C2
CB3_SD_WP*_XD_R_B*	27-B2, 28-B2, 46-C2
CB3_VCC3EN*	26-B2, 27-A4, 46-C3
CB3_VCC5EN*	26-B2, 27-A4, 46-C3
CB3_VCCA	26-B1, 28-C3, 28-C3, 46-C4
CB3_VPPA	26-B1, 28-C3, 28-C3, 46-C4
CB3_VPPEN0	26-B2, 27-A4, 46-C3
CB3_VPPEN1	26-B2, 27-A4, 46-C3
CBS3_SPKR	26-C3, 33-B4, 46-B4

Net Name	Sheet Number-Location
CD5_COM	33-B4, 35-D1, 35-D2, 46-D4
CD5_L	33-B4, 35-D2, 46-D4
CD5_R	33-B4, 35-D1, 46-D4
CHANNEL3_CLK	29-C2, 34-B2, 46-C2
CHANNEL3_DATA	29-C4, 34-B2, 46-A2
CHARGER_VDC	40-B4, 41-D1, 46-C3
CHP3_1394_ROMW*	20-D3, 26-C2, 46-C2
CHP3_AC97_AUD_BCLK	19-C4, 32-C4, 46-C2
CHP3_AC97_AUD_RST*	19-C4, 32-C4, 46-C2
CHP3_AC97_AUD_SDO	19-C4, 32-C4, 46-C2
CHP3_AC97_AUD_SYNC	19-C4, 32-C4, 46-C2
CHP3_AC97_MDC_BCLK	32-C4, 34-C3, 46-C2
CHP3_AC97_MDC_RST*	19-C4, 34-C4, 46-C2
CHP3_AC97_MDC_SDO	19-C4, 34-C4, 46-C2
CHP3_AC97_MDC_SYNC	19-C4, 34-C3, 46-C2
CHP3_AC97_SDI0	19-C4, 32-C4, 46-D2
CHP3_AC97_SDI1	19-C4, 34-C3, 46-D2
CHP3_BATLOW*	20-A2, 22-C3, 46-C2
CHP3_BIOSTBL*	20-D3, 25-C4, 46-A2
CHP3_BIOSWP*	20-C3, 25-C4, 46-C2
CHP3_CPUSTP*	7-C4, 20-C2, 42-C4, 46-C2
CHP3_CRISIS*	20-A4, 20-B2
CHP3 DPRSLPVR	20-A2, 22-B3, 42-B2, 46-A2
CHP3_IDEIRQ	19-B4, 35-B1, 46-C3
CHP3_INTRUDER*	19-D3, 22-B3, 46-D2
CHP3_IVTPWRON	20-C2, 24-B2, 46-A2
CHP3_PCISTP*	7-C4, 20-C2, 46-C2
CHP3_PME*	20-C3, 26-A4, 30-A4, 36-B2, 46-B4
CHP3_PWRBTN*	20-A2, 22-C3, 36-B2, 46-C2
CHP3_RTCRST*	19-A2, 19-D3
CHP3_SATALED*	19-C4, 35-A2, 46-A2
CHP3_SERIRQ	20-B2, 22-B1, 26-C3, 34-C2, 36-C2, 46-C3
CHP3_SLPS3*	20-A2, 36-A2, 36-C1, 36-D1, 46-C3
CHP3_SLPS4*	20-A2, 36-A2, 36-C1, 46-C3
CHP3_SLPS5*	20-A2, 36-A2, 46-C3
CHP3_SMLINK0	20-D2, 22-D3, 46-C2
CHP3_SMLINK1	20-D2, 22-C3, 46-C2

9 Schematic Diagram

Net Name	Sheet Number-Location
CHP3_SPKR	20-D2, 33-B4, 46-B4
CHP3_SUSSTAT*	20-D2, 34-C2, 36-A2, 46-A2
CHP3_THRM*	20-B2, 20-B3, 46-C3
CHP3_THRMTRIP*	11-B3, 36-B2, 46-D2
CLK0_HCLK0	7-C1, 9-C3
CLK0_HCLK0*	7-C1, 9-C3
CLK0_HCLK1	7-C1, 12-B2
CLK0_HCLK1*	7-C1, 12-B2
CLK1_BSEL1	7-C4, 9-C2, 9-C3, 13-A4, 46-C3
CLK1_BSEL2	7-C4, 9-C2, 9-C3, 13-A4, 46-C3
CLK1_DOTCLK	7-B1, 16-B2
CLK1_DOTCLK*	7-B1, 16-A2
CLK1_DREFCLK	7-B1, 13-A1
CLK1_DREFCLK*	7-B1, 13-A1
CLK1_DREFSSCLK	13-A1, 16-B1
CLK1_DREFSSCLK*	13-A1, 16-B1
CLK1_MCH3GPLL	7-C1, 13-D4
CLK1_MCH3GPLL*	7-C1, 13-D4
CLK1_MCLK0	13-C1, 17-C4
CLK1_MCLK0*	13-B1, 17-C4
CLK1_MCLK1	13-C1, 17-C4
CLK1_MCLK1*	13-B1, 17-C4
CLK1_MCLK3	13-C1, 17-C2
CLK1_MCLK3*	13-B1, 17-C2
CLK1_MCLK4	13-C1, 17-C2
CLK1_MCLK4*	13-B1, 17-C2
CLK1_PCIEICH	7-C1, 20-B1
CLK1_PCIEICH*	7-C1, 20-B1
CLK1_SATA	7-C1, 19-B4
CLK1_SATA*	7-C1, 19-B4
CLK3_AUD14	7-B1, 32-D4, 46-C3
CLK3_ICH14	7-B1, 20-B1, 46-C3
CLK3_PCLKCB	7-C4, 26-A4, 46-C3
CLK3_PCLKFWH	7-C4, 25-C4, 46-C2
CLK3_PCLKICH	7-C4, 20-C3, 46-C2
CLK3_PCLKLAN	7-C4, 30-B4, 46-C2
CLK3_PCLKMICOM	7-C4, 36-C2, 46-D2
CLK3_PCLKMIN	7-C4, 29-C4, 46-B2

Net Name	Sheet Number-Location
CLK3_PWRGD*	7-C4, 11-C4, 16-B2, 36-B2, 36-C1, 46-C3
CLK3_SMBCLK	7-A3, 7-C4, 17-B2, 17-B4
CLK3_SMBDATA	7-A3, 7-B4, 17-B2, 17-B4
CLK3_SSCIN	7-B1, 16-B2, 46-C3
CLK3_TPMLPC	7-C4, 34-C2, 46-C3
CLK3_USB48	7-C4, 20-A2, 46-C3
CPU1_A*(10)	8-C4, 12-D2
CPU1_A*(11)	8-C4, 12-D2
CPU1_A*(12)	8-C4, 12-D2
CPU1_A*(13)	8-C4, 12-D2
CPU1_A*(14)	8-C4, 12-D2
CPU1_A*(15)	8-C4, 12-D2
CPU1_A*(16)	8-C4, 12-D2
CPU1_A*(16:3)	8-C4
CPU1_A*(17)	8-C4, 12-D2
CPU1_A*(18)	8-C4, 12-D2
CPU1_A*(19)	8-C4, 12-D2
CPU1_A*(20)	8-C4, 12-D2
CPU1_A*(21)	8-C4, 12-D2
CPU1_A*(22)	8-C4, 12-D2
CPU1_A*(23)	8-C4, 12-D2
CPU1_A*(24)	8-C4, 12-D2
CPU1_A*(25)	8-C4, 12-D2
CPU1_A*(26)	8-C4, 12-D2
CPU1_A*(27)	8-C4, 12-D2
CPU1_A*(28)	8-C4, 12-D2
CPU1_A*(29)	8-C4, 12-D2
CPU1_A*(3)	8-C4, 12-D2
CPU1_A*(30)	8-C4, 12-D2
CPU1_A*(31)	8-C4, 12-D2
CPU1_A*(31:17)	8-C4
CPU1_A*(31:3)	12-D2
CPU1_A*(4)	8-C4, 12-D2
CPU1_A*(5)	8-C4, 12-D2
CPU1_A*(6)	8-C4, 12-D2
CPU1_A*(7)	8-C4, 12-D2
CPU1_A*(8)	8-C4, 12-D2
CPU1_A*(9)	8-C4, 12-D2
CPU1_A20M*	8-B3, 19-C2, 46-C3

9 Schematic Diagram

Net Name	Sheet Number-Location
CPU1_ADS*	8-C3, 12-C2
CPU1_ADSTB0*	8-C4, 12-C2
CPU1_ADSTB1*	8-B4, 12-C2
CPU1_BNR*	8-C3, 12-C2
CPU1_BPRI*	8-C3, 12-C2
CPU1_BREQ*	8-C3, 12-C2
CPU1_CPURST*	8-C3, 12-C2
CPU1_D*(0)	8-C2, 12-D4
CPU1_D*(1)	8-C2, 12-D4
CPU1_D*(10)	8-C2, 12-D4
CPU1_D*(11)	8-C2, 12-D4
CPU1_D*(12)	8-C2, 12-D4
CPU1_D*(13)	8-C2, 12-D4
CPU1_D*(14)	8-C2, 12-D4
CPU1_D*(15)	8-C2, 12-D4
CPU1_D*(15:0)	8-C2
CPU1_D*(16)	8-C2, 12-D4
CPU1_D*(17)	8-C2, 12-D4
CPU1_D*(18)	8-C2, 12-D4
CPU1_D*(19)	8-C2, 12-D4
CPU1_D*(2)	8-C2, 12-D4
CPU1_D*(20)	8-C2, 12-D4
CPU1_D*(21)	8-C2, 12-D4
CPU1_D*(22)	8-C2, 12-D4
CPU1_D*(23)	8-C2, 12-D4
CPU1_D*(24)	8-C2, 12-D4
CPU1_D*(25)	8-C2, 12-D4
CPU1_D*(26)	8-C2, 12-D4
CPU1_D*(27)	8-C2, 12-D4
CPU1_D*(28)	8-C2, 12-D4
CPU1_D*(29)	8-C2, 12-D4
CPU1_D*(3)	8-C2, 12-D4
CPU1_D*(30)	8-C2, 12-D4
CPU1_D*(31)	8-C2, 12-D4
CPU1_D*(31:16)	8-C2
CPU1_D*(32)	8-C1, 12-D4
CPU1_D*(33)	8-C1, 12-D4
CPU1_D*(34)	8-C1, 12-D4
CPU1_D*(35)	8-C1, 12-D4
CPU1_D*(36)	8-C1, 12-D4

Net Name	Sheet Number-Location
CPU1_D*(37)	8-C1, 12-D4
CPU1_D*(38)	8-C1, 12-D4
CPU1_D*(39)	8-C1, 12-D4
CPU1_D*(4)	8-C2, 12-D4
CPU1_D*(40)	8-C1, 12-D4
CPU1_D*(41)	8-C1, 12-D4
CPU1_D*(42)	8-C1, 12-D4
CPU1_D*(43)	8-C1, 12-D4
CPU1_D*(44)	8-C1, 12-D4
CPU1_D*(45)	8-C1, 12-D4
CPU1_D*(46)	8-C1, 12-D4
CPU1_D*(47)	8-C1, 12-D4
CPU1_D*(47:32)	8-C1
CPU1_D*(48)	8-C1, 12-D4
CPU1_D*(49)	8-C1, 12-D4
CPU1_D*(5)	8-C2, 12-D4
CPU1_D*(50)	8-C1, 12-D4
CPU1_D*(51)	8-C1, 12-D4
CPU1_D*(52)	8-C1, 12-D4
CPU1_D*(53)	8-C1, 12-D4
CPU1_D*(54)	8-C1, 12-D4
CPU1_D*(55)	8-C1, 12-D4
CPU1_D*(56)	8-C1, 12-D4
CPU1_D*(57)	8-C1, 12-D4
CPU1_D*(58)	8-C1, 12-D4
CPU1_D*(59)	8-C1, 12-D4
CPU1_D*(6)	8-C2, 12-D4
CPU1_D*(60)	8-C1, 12-D4
CPU1_D*(61)	8-C1, 12-D4
CPU1_D*(62)	8-C1, 12-D4
CPU1_D*(63)	8-C1, 12-D4
CPU1_D*(63:0)	12-D4
CPU1_D*(63:48)	8-C1
CPU1_D*(7)	8-C2, 12-D4
CPU1_D*(8)	8-C2, 12-D4
CPU1_D*(9)	8-C2, 12-D4
CPU1_DBI0*	8-C2, 12-B2
CPU1_DBI1*	8-B2, 12-B2
CPU1_DBI2*	8-C1, 12-B2
CPU1_DBI3*	8-B1, 12-B2

9 Schematic Diagram

Net Name	Sheet Number-Location
CPU1_DBSY*	8-C3, 12-B2
CPU1_DEFER*	8-C3, 12-B2
CPU1_DPRSPLP*	9-C3, 19-C2, 22-B3, 46-B2
CPU1_DPSPLP*	9-C3, 19-C2, 22-B3, 46-C3
CPU1_DPWR*	9-C3, 12-B2
CPU1_DRDY*	8-C3, 12-B2
CPU1_DSTBN0*	8-C2, 12-B2
CPU1_DSTBN1*	8-B2, 12-B2
CPU1_DSTBN2*	8-C1, 12-B2
CPU1_DSTBN3*	8-B1, 12-B2
CPU1_DSTBP0*	8-C2, 12-B2
CPU1_DSTBP1*	8-B2, 12-B2
CPU1_DSTBP2*	8-C1, 12-B2
CPU1_DSTBP3*	8-B1, 12-B2
CPU1_FERR*	8-B3, 19-C1, 19-C2
CPU1_HIT*	8-C3, 12-B2
CPU1_HITM*	8-C3, 12-B2
CPU1_IGNNE*	8-B3, 19-C2, 46-B3
CPU1_INIT*	8-C3, 19-C2
CPU1_INTR	8-B3, 19-C2, 46-D4
CPU1_LOCK*	8-C3, 12-B2
CPU1_NMI	8-B3, 19-C2, 46-C4
CPU1_PROCHOT*	9-C3, 11-B2, 46-A2
CPU1_PSI*	9-C2, 9-C3, 42-C4, 46-D4
CPU1_PWRGDCPU	9-C3, 19-C2, 46-A2
CPU1_REQ*(0)	8-C4, 12-B2
CPU1_REQ*(1)	8-C4, 12-B2
CPU1_REQ*(2)	8-C4, 12-B2
CPU1_REQ*(3)	8-C4, 12-B2
CPU1_REQ*(4)	8-C4, 12-B2
CPU1_REQ*(4:0)	8-C4, 12-B2
CPU1_RS0*	8-B3, 12-A2
CPU1_RS1*	8-C3, 12-A2
CPU1_RS2*	8-C3, 12-A2
CPU1_SLP*	9-C3, 12-A2, 19-C2, 46-D4
CPU1_SMI*	8-B3, 19-C2, 46-D4
CPU1_STPCLK*	8-B3, 19-C2, 46-B2
CPU1_TCK	9-B2, 10-A3, 46-C4
CPU1_TDI	9-B2, 10-A3, 46-C4
CPU1_TDO	9-B2, 10-A3, 46-C4

Net Name	Sheet Number-Location
CPU1_THRMTRIP*	9-C3, 11-B4, 13-A1, 19-C1, 19-C2, 46-D2
CPU1_TMS	9-B2, 10-A3, 46-C4
CPU1_TRDY*	8-C3, 12-A2
CPU1_TRST*	9-B2, 10-A3
CPU1_VID(0)	9-C3, 42-B1, 46-B3
CPU1_VID(1)	9-C3, 42-B1, 46-B3
CPU1_VID(2)	9-C3, 42-B1, 46-B3
CPU1_VID(3)	9-C3, 42-B1, 46-B3
CPU1_VID(4)	9-C3, 42-B1, 46-B3
CPU1_VID(5)	9-C3, 42-A2, 42-B1, 46-B3
CPU1_VID(5:0)	9-C3
CPU2_THERMDA	9-C3, 11-C2, 46-B2
CPU2_THERMDC	9-C3, 11-C2, 46-B2
CPU3_ALERT*	11-B1, 20-A4, 46-B3
CPUPWRON	11-C4, 43-B2
DDR2_FBK1	38-B4, 38-C2, 46-D4
DMI1_RXN0	13-D1, 20-C1
DMI1_RXN1	13-C1, 20-C1
DMI1_RXN2	13-C1, 20-C1
DMI1_RXN3	13-C1, 20-C1
DMI1_RXP0	13-D1, 20-C1
DMI1_RXP1	13-C1, 20-C1
DMI1_RXP2	13-C1, 20-C1
DMI1_RXP3	13-C1, 20-C1
DMI1_TXN0	13-D1, 20-C1
DMI1_TXN1	13-D1, 20-C1
DMI1_TXN2	13-C1, 20-C1
DMI1_TXN3	13-C1, 20-B1
DMI1_TXP0	13-D1, 20-C1
DMI1_TXP1	13-D1, 20-C1
DMI1_TXP2	13-C1, 20-C1
DMI1_TXP3	13-C1, 20-B1
DPRSPLP	42-A1, 42-D4, 46-D4
FAN3_FDBACK*	34-B4, 36-B2, 46-B2
FWH3_INIT*	19-C2, 25-C4, 46-C3
HDD3_LED*	35-A1, 37-C3, 46-D4
HDD3_SEL	35-B3, 35-C2, 46-C4
HDD5_PDIAG*	35-C1, 35-C4, 46-B3
HP5_DETECT	32-C3, 33-B2, 33-C2, 46-C3

9 Schematic Diagram

Net Name	Sheet Number-Location
HP5_L	32-C4, 33-B2, 33-C4, 46-D4
HP5_R	32-C4, 33-B2, 33-C4, 46-D4
IDE5_A0	19-C2, 35-C2, 35-C4, 46-C4
IDE5_A1	19-C2, 35-C2, 35-C4, 46-C4
IDE5_A2	19-C2, 35-C1, 35-C4, 46-C4
IDE5_CS1*	19-B2, 35-C2, 35-C4, 46-D4
IDE5_CS3*	19-B2, 35-C1, 35-C4, 46-D4
IDE5_D(0)	19-B2, 35-C2, 35-C4, 46-D4
IDE5_D(0:15)	19-B2
IDE5_D(0:7)	35-C2, 35-C4
IDE5_D(1)	19-B2, 35-C2, 35-C4, 46-C4
IDE5_D(10)	19-B2, 35-B4, 35-C1, 46-C3
IDE5_D(11)	19-B2, 35-B4, 35-C1, 46-C3
IDE5_D(12)	19-B2, 35-B4, 35-C1, 46-C3
IDE5_D(13)	19-B2, 35-B4, 35-C1, 46-C3
IDE5_D(14)	19-B2, 35-B4, 35-C1, 46-C3
IDE5_D(15)	19-B2, 35-B4, 35-C1, 46-B3
IDE5_D(2)	19-B2, 35-C2, 35-C4, 46-C4
IDE5_D(3)	19-B2, 35-C2, 35-C4, 46-C4
IDE5_D(4)	19-B2, 35-C2, 35-C4, 46-C4
IDE5_D(5)	19-B2, 35-C2, 35-C4, 46-C4
IDE5_D(6)	19-B2, 35-C2, 35-C4, 46-C4
IDE5_D(7)	19-B2, 35-C2, 35-C4, 46-C4
IDE5_D(8)	19-B2, 35-B4, 35-C1, 46-C4
IDE5_D(8:15)	35-B4, 35-C1
IDE5_D(9)	19-B2, 35-B4, 35-C1, 46-C4
IDE5_DACK*	19-B4, 35-C1, 35-C4, 46-B3
IDE5_DASP*	35-A2, 35-C2, 35-C4, 46-B3
IDE5_DREQ	19-B2, 35-C1, 35-C4, 46-C4
IDE5_IOR*	19-B4, 35-C1, 35-C4, 46-C4
IDE5_IORDY	19-B4, 35-C2, 35-C4, 46-B3
IDE5_IOW*	19-B4, 35-C2, 35-C4, 46-C4
IDE5_IRQ	35-B2, 35-C2, 35-C4, 46-C4
IMVP4_PWRGD	36-B2, 42-D4, 46-B3
KBC3_A20G	19-C2, 36-B2, 36-C1, 46-C4
KBC3_BKLTON	24-A2, 36-C2, 46-B3
KBC3_BRIT	24-B4, 36-C2, 46-C4
KBC3_BRIT_DA	24-A4, 36-B2, 46-B2
KBC3_CAPSLED*	36-C4, 37-C3, 46-A2
KBC3_CHGEN	36-C2, 41-B4, 46-B3

Net Name	Sheet Number-Location
KBC3_CPURST*	19-C2, 22-B1, 36-B2, 46-B2
KBC3_EXTSMI*	20-C2, 36-C4, 46-B2
KBC3_EZ_BTN0*	36-B1, 36-C4, 37-C4, 46-A2
KBC3_EZ_BTN1*	36-B1, 36-C4, 37-C3, 46-C2
KBC3_EZ_BTN2*	36-B1, 36-C4, 37-C4, 46-C2
KBC3_FANCTRL	34-A4, 36-B2, 46-B2
KBC3_IMVP4_PWRGD	13-A1, 20-B2, 36-B2, 46-C2
KBC3_LBLED*	36-C4, 37-B4, 46-B3
KBC3_MD0	36-D1, 36-D4, 46-C4
KBC3_MD1	36-D1, 36-D4, 46-C4
KBC3_NUMLED*	36-C4, 37-C4, 46-B2
KBC3_PWRGD	11-C4, 20-A2, 22-B3, 26-A4, 36-C4, 46-B3
KBC3_PWRON	36-C4, 37-D2, 39-A4, 39-B2, 39-C2, 40-D2, 46-B3
KBC3_PWRSW*	11-C4, 36-B2, 36-D2, 36-D4, 37-C3, 46-B3
KBC3_QS*	36-C2, 41-B1, 41-B4, 46-C4
KBC3_QSLIM	36-B4, 41-B4, 46-B3
KBC3_RSMRST*	20-A2, 22-B3, 36-C2, 46-B2
KBC3_RST*	36-D1, 36-D2, 36-D4, 40-C4, 46-C4
KBC3_RUNSCI*	20-C2, 22-C1, 36-C4, 46-A2
KBC3_RXD	36-A2, 36-D1, 46-C4
KBC3_SCLED*	36-C4, 37-C4, 46-B3
KBC3_SMCLK*	36-A2, 36-C1, 41-B1, 46-B3
KBC3_SMDATA*	36-A2, 36-C1, 41-B1, 46-A2
KBC3_SPKMUTE	33-C2, 36-B2, 46-A2
KBC3_SUSPWR	36-B2, 37-D1, 38-B1, 39-C4, 40-C3, 43-B4, 46-B3
KBC3_THERM_ALERT*	11-C4, 36-B4, 46-C2
KBC3_THERM_SMCLK	11-C2, 36-A2, 46-C2
KBC3_THERM_SMDATA	11-C2, 36-C2, 46-C2
KBC3_THRM*	20-A4, 36-A2, 36-D1, 46-B3
KBC3_VRON	36-B2, 43-B2, 46-C4
KBC3_WAKESCI*	20-C2, 36-B2, 46-C2
KBC3_WLANON	29-C4, 36-C4, 46-B3
KBC5_3DON	32-A4, 36-C4, 46-C4
KBC5_AVDD_ON	32-A1, 36-C4, 46-A2
KBC5_KSI(0)	36-B4, 37-D3, 46-B3

9 Schematic Diagram

Net Name	Sheet Number-Location
KBC5_KSI(0:7)	36-B4, 37-D3
KBC5_KSI(1)	36-B4, 37-D3, 46-B3
KBC5_KSI(2)	36-B4, 37-D3, 46-B3
KBC5_KSI(3)	36-B4, 37-D3, 46-B3
KBC5_KSI(4)	36-B4, 37-D3, 46-B3
KBC5_KSI(5)	36-B4, 37-D3, 46-B3
KBC5_KSI(6)	36-B4, 37-D3, 46-B3
KBC5_KSI(7)	36-B4, 37-D3, 46-B3
KBC5_KSO(0)	36-B4, 37-C3, 46-B3
KBC5_KSO(0:15)	36-B4, 37-C3
KBC5_KSO(1)	36-B4, 37-C3, 46-B3
KBC5_KSO(10)	36-B4, 37-C3, 46-A2
KBC5_KSO(11)	36-B4, 37-C3, 46-A2
KBC5_KSO(12)	36-B4, 37-C3, 46-A2
KBC5_KSO(13)	36-B4, 37-C3, 46-A2
KBC5_KSO(14)	36-B4, 37-C3, 46-A2
KBC5_KSO(15)	36-B4, 37-C3, 46-B2
KBC5_KSO(2)	36-B4, 37-C3, 46-B3
KBC5_KSO(3)	36-B4, 37-C3, 46-A3
KBC5_KSO(4)	36-B4, 37-C3, 46-A3
KBC5_KSO(5)	36-B4, 37-C3, 46-A3
KBC5_KSO(6)	36-B4, 37-C3, 46-A3
KBC5_KSO(7)	36-B4, 37-C3, 46-A3
KBC5_KSO(8)	36-B4, 37-C3, 46-B3
KBC5_KSO(9)	36-B4, 37-C3, 46-B3
KBC5_TCLK	36-C4, 37-A3, 46-C4
KBC5_TDATA	36-C4, 37-A3, 46-B3
LAN3_EECLK	30-B2, 31-A1, 31-A3, 46-B3
LAN3_EEDATA	30-B2, 31-A1, 31-B3, 46-A3
LAN3_LOWPWR	30-A4, 36-C4, 46-A3
LAN3_TRD0-	30-C1, 31-D4
LAN3_TRD0+	30-C1, 31-D4
LAN3_TRD1-	30-C1, 31-C4
LAN3_TRD1+	30-C1, 31-C4
LAN3_TRD2-	30-C1, 31-C4
LAN3_TRD2+	30-C1, 31-C4
LAN3_TRD3-	30-C1, 31-C4
LAN3_TRD3+	30-C1, 31-C4
LCD2_BKLTCTRL	13-A4, 13-B4, 24-A4, 46-B2
LCD2_BKLTON	13-B4, 24-A2, 46-A3

Net Name	Sheet Number-Location
LCD2_VDDEN	13-A4, 13-B4, 24-C2, 46-B3
LCD3_BKLTON	24-A1, 24-C4, 46-A3
LCD3_BRIT	24-A3, 24-C4, 46-C4
LCD3_DET0	20-B2, 24-C4, 46-C4
LCD3_DET1	20-B2, 24-D4, 46-C4
LED3_CHARGE	36-C2, 37-A2, 46-A3
LED5_AMBER	37-A1, 37-A3, 46-B3
LED5_GREEN	37-A3, 37-B1, 46-B3
LID3_SWITCH*	33-B2, 36-B4, 46-B2
LINE5_OUT_L	32-A3, 33-C4, 46-A3
LINE5_OUT_R	32-A3, 33-D4, 46-A3
LPC3_LAD(0)	19-D2, 25-C3, 34-D2, 36-C2, 46-A3
LPC3_LAD(0:3)	19-D2, 25-C3, 34-D2, 36-C2
LPC3_LAD(1)	19-D2, 25-C3, 34-D2, 36-C2, 46-A3
LPC3_LAD(2)	19-D2, 25-C3, 34-D2, 36-C2, 46-A3
LPC3_LAD(3)	19-D2, 25-C3, 34-D2, 36-C2, 46-A3
LPC3_LFRAME*	19-D2, 25-C3, 34-C2, 36-C2, 46-B2
LVDS1_A0-	13-B4, 24-C4
LVDS1_A0+	13-B4, 24-C4
LVDS1_A1-	13-B4, 24-C4
LVDS1_A1+	13-B4, 24-C4
LVDS1_A2-	13-B4, 24-C4
LVDS1_A2+	13-B4, 24-C4
LVDS1_ACLK-	13-B4, 24-C4
LVDS1_ACLK+	13-B4, 24-C4
MCH1_BSEL0	13-A3, 13-A3, 46-B3
MCH1_HVREF	12-C1, 12-C2, 46-B3
MCH1_HXSWING	12-A4, 12-C4, 46-B2
MCH1_HYSWING	12-A4, 12-B4, 46-B2
MCH2_BMBUSY*	13-A1, 20-C2, 46-B2
MD3_VCC	26-B1, 28-C2, 46-C4
MDC3_AUDIN	33-A4, 34-C3, 46-B3
MEM1_ABS0*	14-C4, 17-C4, 18-C4
MEM1_ABS1*	14-C4, 17-C4, 18-C4
MEM1_ABS2*	14-C4, 17-C4, 18-C4

9 Schematic Diagram

Net Name	Sheet Number-Location
MEM1_ACAS*	14-B4, 17-C4, 18-C4
MEM1_ADM(0)	14-C4, 17-B4
MEM1_ADM(1)	14-C4, 17-B4
MEM1_ADM(2)	14-C4, 17-B4
MEM1_ADM(3)	14-C4, 17-B4
MEM1_ADM(4)	14-C4, 17-B4
MEM1_ADM(5)	14-C4, 17-B4
MEM1_ADM(6)	14-C4, 17-B4
MEM1_ADM(7)	14-C4, 17-B4
MEM1_ADM(7:0)	14-C4, 17-B4
MEM1_ADQ(0)	14-D4, 17-D4
MEM1_ADQ(1)	14-D4, 17-D4
MEM1_ADQ(10)	14-D4, 17-D4
MEM1_ADQ(11)	14-D4, 17-D4
MEM1_ADQ(12)	14-D4, 17-D4
MEM1_ADQ(13)	14-D4, 17-D4
MEM1_ADQ(14)	14-D4, 17-D4
MEM1_ADQ(15)	14-D4, 17-D4
MEM1_ADQ(16)	14-D4, 17-D4
MEM1_ADQ(17)	14-D4, 17-D4
MEM1_ADQ(18)	14-D4, 17-D4
MEM1_ADQ(19)	14-D4, 17-D4
MEM1_ADQ(2)	14-D4, 17-D4
MEM1_ADQ(20)	14-D4, 17-D4
MEM1_ADQ(21)	14-D4, 17-D4
MEM1_ADQ(22)	14-D4, 17-D4
MEM1_ADQ(23)	14-D4, 17-D4
MEM1_ADQ(24)	14-D4, 17-D4
MEM1_ADQ(25)	14-D4, 17-D4
MEM1_ADQ(26)	14-D4, 17-D4
MEM1_ADQ(27)	14-D4, 17-D4
MEM1_ADQ(28)	14-D4, 17-D4
MEM1_ADQ(29)	14-D4, 17-D4
MEM1_ADQ(3)	14-D4, 17-D4
MEM1_ADQ(30)	14-D4, 17-D4
MEM1_ADQ(31)	14-D4, 17-D4
MEM1_ADQ(32)	14-D4, 17-D4
MEM1_ADQ(33)	14-D4, 17-D4
MEM1_ADQ(34)	14-D4, 17-D4
MEM1_ADQ(35)	14-D4, 17-D4

Net Name	Sheet Number-Location
MEM1_ADQ(36)	14-D4, 17-D4
MEM1_ADQ(37)	14-D4, 17-D4
MEM1_ADQ(38)	14-D4, 17-D4
MEM1_ADQ(39)	14-D4, 17-D4
MEM1_ADQ(4)	14-D4, 17-D4
MEM1_ADQ(40)	14-D4, 17-D4
MEM1_ADQ(41)	14-D4, 17-D4
MEM1_ADQ(42)	14-D4, 17-D4
MEM1_ADQ(43)	14-D4, 17-D4
MEM1_ADQ(44)	14-D4, 17-D4
MEM1_ADQ(45)	14-D4, 17-D4
MEM1_ADQ(46)	14-D4, 17-D4
MEM1_ADQ(47)	14-D4, 17-D4
MEM1_ADQ(48)	14-D4, 17-D4
MEM1_ADQ(49)	14-D4, 17-D4
MEM1_ADQ(5)	14-D4, 17-D4
MEM1_ADQ(50)	14-D4, 17-D4
MEM1_ADQ(51)	14-D4, 17-D4
MEM1_ADQ(52)	14-D4, 17-D4
MEM1_ADQ(53)	14-D4, 17-D4
MEM1_ADQ(54)	14-D4, 17-D4
MEM1_ADQ(55)	14-D4, 17-D4
MEM1_ADQ(56)	14-D4, 17-D4
MEM1_ADQ(57)	14-D4, 17-D4
MEM1_ADQ(58)	14-D4, 17-D4
MEM1_ADQ(59)	14-D4, 17-D4
MEM1_ADQ(6)	14-D4, 17-D4
MEM1_ADQ(60)	14-D4, 17-D4
MEM1_ADQ(61)	14-D4, 17-D4
MEM1_ADQ(62)	14-D4, 17-D4
MEM1_ADQ(63)	14-D4, 17-D4
MEM1_ADQ(63:0)	14-D4, 17-D4
MEM1_ADQ(7)	14-D4, 17-D4
MEM1_ADQ(8)	14-D4, 17-D4
MEM1_ADQ(9)	14-D4, 17-D4
MEM1_ADQS(0)	14-C4, 17-B4
MEM1_ADQS(1)	14-C4, 17-B4
MEM1_ADQS(2)	14-C4, 17-B4
MEM1_ADQS(3)	14-C4, 17-B4
MEM1_ADQS(4)	14-C4, 17-B4

9 Schematic Diagram

Net Name	Sheet Number-Location
MEM1_ADQS(5)	14-C4, 17-B4
MEM1_ADQS(6)	14-C4, 17-B4
MEM1_ADQS(7)	14-C4, 17-B4
MEM1_ADQS(7:0)	14-C4, 17-B4
MEM1_ADQS*(0)	14-C4, 17-B4
MEM1_ADQS*(1)	14-C4, 17-B4
MEM1_ADQS*(2)	14-C4, 17-B4
MEM1_ADQS*(3)	14-C4, 17-B4
MEM1_ADQS*(4)	14-C4, 17-B4
MEM1_ADQS*(5)	14-C4, 17-B4
MEM1_ADQS*(6)	14-C4, 17-B4
MEM1_ADQS*(7)	14-C4, 17-B4
MEM1_ADQS*(7:0)	14-C4, 17-B4
MEM1_AMA(0)	14-B4, 17-D4, 18-D3
MEM1_AMA(1)	14-B4, 17-D4, 18-D3
MEM1_AMA(10)	14-B4, 17-D4, 18-D3
MEM1_AMA(11)	14-B4, 17-D4, 18-D3
MEM1_AMA(12)	14-B4, 17-D4, 18-D3
MEM1_AMA(13)	14-B4, 17-D4, 18-D3
MEM1_AMA(13:0)	14-B4, 17-D4, 18-D3
MEM1_AMA(2)	14-B4, 17-D4, 18-D3
MEM1_AMA(3)	14-B4, 17-D4, 18-D3
MEM1_AMA(4)	14-B4, 17-D4, 18-D3
MEM1_AMA(5)	14-B4, 17-D4, 18-D3
MEM1_AMA(6)	14-B4, 17-D4, 18-D3
MEM1_AMA(7)	14-B4, 17-D4, 18-D3
MEM1_AMA(8)	14-B4, 17-D4, 18-D3
MEM1_AMA(9)	14-B4, 17-D4, 18-D3
MEM1_ARAS*	14-B4, 17-C4, 18-C4
MEM1_AWE*	14-B4, 17-C4, 18-C4
MEM1_BBS0*	14-C2, 17-C2, 18-C4
MEM1_BBS1*	14-C2, 17-C2, 18-C4
MEM1_BBS2*	14-C2, 17-C2, 18-C4
MEM1_BCAS*	14-B2, 17-C2, 18-C4
MEM1_BDM(0)	14-C2, 17-B2
MEM1_BDM(1)	14-C2, 17-B2
MEM1_BDM(2)	14-C2, 17-B2
MEM1_BDM(3)	14-C2, 17-B2
MEM1_BDM(4)	14-C2, 17-B2
MEM1_BDM(5)	14-C2, 17-B2

Net Name	Sheet Number-Location
MEM1_BDM(6)	14-C2, 17-B2
MEM1_BDM(7)	14-C2, 17-B2
MEM1_BDM(7:0)	14-C2, 17-B2
MEM1_BDQ(0)	14-A2, 17-D2
MEM1_BDQ(1)	14-A2, 17-D2
MEM1_BDQ(10)	14-A2, 17-D2
MEM1_BDQ(11)	14-A2, 17-D2
MEM1_BDQ(12)	14-A2, 17-D2
MEM1_BDQ(13)	14-A2, 17-D2
MEM1_BDQ(14)	14-A2, 17-D2
MEM1_BDQ(15)	14-A2, 17-D2
MEM1_BDQ(16)	14-A2, 17-D2
MEM1_BDQ(17)	14-A2, 17-D2
MEM1_BDQ(18)	14-A2, 17-D2
MEM1_BDQ(19)	14-A2, 17-D2
MEM1_BDQ(2)	14-A2, 17-D2
MEM1_BDQ(20)	14-A2, 17-D2
MEM1_BDQ(21)	14-A2, 17-D2
MEM1_BDQ(22)	14-A2, 17-D2
MEM1_BDQ(23)	14-A2, 17-D2
MEM1_BDQ(24)	14-A2, 17-D2
MEM1_BDQ(25)	14-A2, 17-D2
MEM1_BDQ(26)	14-A2, 17-D2
MEM1_BDQ(27)	14-A2, 17-D2
MEM1_BDQ(28)	14-A2, 17-D2
MEM1_BDQ(29)	14-A2, 17-D2
MEM1_BDQ(3)	14-A2, 17-D2
MEM1_BDQ(30)	14-A2, 17-D2
MEM1_BDQ(31)	14-A2, 17-D2
MEM1_BDQ(32)	14-A2, 17-D2
MEM1_BDQ(33)	14-A2, 17-D2
MEM1_BDQ(34)	14-A2, 17-D2
MEM1_BDQ(35)	14-A2, 17-D2
MEM1_BDQ(36)	14-A2, 17-D2
MEM1_BDQ(37)	14-A2, 17-D2
MEM1_BDQ(38)	14-A2, 17-D2
MEM1_BDQ(39)	14-A2, 17-D2
MEM1_BDQ(4)	14-A2, 17-D2
MEM1_BDQ(40)	14-A2, 17-D2
MEM1_BDQ(41)	14-A2, 17-D2

9 Schematic Diagram

Net Name	Sheet Number-Location
MEM1_BDQ(42)	14-A2, 17-D2
MEM1_BDQ(43)	14-A2, 17-D2
MEM1_BDQ(44)	14-A2, 17-D2
MEM1_BDQ(45)	14-A2, 17-D2
MEM1_BDQ(46)	14-A2, 17-D2
MEM1_BDQ(47)	14-A2, 17-D2
MEM1_BDQ(48)	14-A2, 17-D2
MEM1_BDQ(49)	14-A2, 17-D2
MEM1_BDQ(5)	14-A2, 17-D2
MEM1_BDQ(50)	14-A2, 17-D2
MEM1_BDQ(51)	14-A2, 17-D2
MEM1_BDQ(52)	14-A2, 17-D2
MEM1_BDQ(53)	14-A2, 17-D2
MEM1_BDQ(54)	14-A2, 17-D2
MEM1_BDQ(55)	14-A2, 17-D2
MEM1_BDQ(56)	14-A2, 17-D2
MEM1_BDQ(57)	14-A2, 17-D2
MEM1_BDQ(58)	14-A2, 17-D2
MEM1_BDQ(59)	14-A2, 17-D2
MEM1_BDQ(6)	14-A2, 17-D2
MEM1_BDQ(60)	14-A2, 17-D2
MEM1_BDQ(61)	14-A2, 17-D2
MEM1_BDQ(62)	14-A2, 17-D2
MEM1_BDQ(63)	14-A2, 17-D2
MEM1_BDQ(63:0)	14-A2, 17-D2
MEM1_BDQ(7)	14-A2, 17-D2
MEM1_BDQ(8)	14-A2, 17-D2
MEM1_BDQ(9)	14-A2, 17-D2
MEM1_BDQS(0)	14-C2, 17-B2
MEM1_BDQS(1)	14-C2, 17-B2
MEM1_BDQS(2)	14-C2, 17-B2
MEM1_BDQS(3)	14-C2, 17-B2
MEM1_BDQS(4)	14-C2, 17-B2
MEM1_BDQS(5)	14-C2, 17-B2
MEM1_BDQS(6)	14-C2, 17-B2
MEM1_BDQS(7)	14-C2, 17-B2
MEM1_BDQS(7:0)	14-C2, 17-B2
MEM1_BDQS*(0)	14-C2, 17-B2
MEM1_BDQS*(1)	14-C2, 17-B2
MEM1_BDQS*(2)	14-C2, 17-B2

Net Name	Sheet Number-Location
MEM1_BDQS*(3)	14-C2, 17-B2
MEM1_BDQS*(4)	14-C2, 17-B2
MEM1_BDQS*(5)	14-C2, 17-B2
MEM1_BDQS*(6)	14-C2, 17-B2
MEM1_BDQS*(7)	14-C2, 17-B2
MEM1_BDQS*(7:0)	14-C2, 17-B2
MEM1_BMA(0)	14-B2, 17-D2, 18-C3
MEM1_BMA(1)	14-B2, 17-D2, 18-C3
MEM1_BMA(10)	14-B2, 17-D2, 18-C3
MEM1_BMA(11)	14-B2, 17-D2, 18-C3
MEM1_BMA(12)	14-B2, 17-D2, 18-C3
MEM1_BMA(13)	14-B2, 17-D2, 18-C3
MEM1_BMA(13:0)	14-B2, 17-D2, 18-C3
MEM1_BMA(2)	14-B2, 17-D2, 18-C3
MEM1_BMA(3)	14-B2, 17-D2, 18-C3
MEM1_BMA(4)	14-B2, 17-D2, 18-C3
MEM1_BMA(5)	14-B2, 17-D2, 18-C3
MEM1_BMA(6)	14-B2, 17-D2, 18-C3
MEM1_BMA(7)	14-B2, 17-D2, 18-C3
MEM1_BMA(8)	14-B2, 17-D2, 18-C3
MEM1_BMA(9)	14-B2, 17-D2, 18-C3
MEM1_BRAS*	14-B2, 17-C2, 18-B4
MEM1_BWE*	14-B2, 17-C2, 18-B4
MEM1_CKE0	13-B1, 17-C4, 18-C4
MEM1_CKE1	13-B1, 17-C4, 18-C4
MEM1_CKE2	13-B1, 17-C2, 18-C4
MEM1_CKE3	13-B1, 17-C2, 18-C4
MEM1_CS0*	13-B1, 17-C4, 18-D4
MEM1_CS1*	13-B1, 17-C4, 18-D4
MEM1_CS2*	13-B1, 17-C2, 18-D4
MEM1_CS3*	13-B1, 17-C2, 18-C4
MEM1_ODT0	13-A1, 17-B4, 18-C4
MEM1_ODT1	13-A1, 17-B4, 18-C4
MEM1_ODT2	13-A1, 17-B2, 18-C4
MEM1_ODT3	13-A1, 17-B2, 18-C4
MEM3_OVERT*	11-C2, 36-B4, 46-B3
PCI3_AD(0)	20-D4, 26-C4, 29-D4, 30-C4, 46-C4
PCI3_AD(1)	20-D4, 26-C4, 29-D4, 30-C4, 46-C4

9 Schematic Diagram

Net Name	Sheet Number-Location
PCI3_AD(10)	20-D4, 26-C4, 29-D4, 30-C4, 46-B3
PCI3_AD(11)	20-D4, 26-C4, 29-D4, 30-C4, 46-B3
PCI3_AD(12)	20-D4, 26-C4, 29-D4, 30-C4, 46-B3
PCI3_AD(13)	20-D4, 26-C4, 29-D4, 30-C4, 46-B3
PCI3_AD(14)	20-D4, 26-C4, 29-D4, 30-C4, 46-B3
PCI3_AD(15)	20-D4, 26-C4, 29-D4, 30-C4, 46-B3
PCI3_AD(16)	20-D4, 26-C4, 29-D4, 30-C4, 46-B3
PCI3_AD(17)	20-D4, 26-C4, 29-D4, 30-C4, 46-B3
PCI3_AD(18)	20-D4, 26-C4, 29-D4, 30-C4, 46-D2
PCI3_AD(19)	20-D4, 26-C4, 29-D4, 30-C4, 46-D2
PCI3_AD(2)	20-D4, 26-C4, 29-D4, 30-C4, 46-C4
PCI3_AD(20)	20-D4, 26-C4, 29-D4, 30-C4, 46-D2
PCI3_AD(21)	20-D4, 26-C4, 29-D4, 30-B4, 30-C4, 46-D2
PCI3_AD(22)	20-D4, 26-C4, 29-D4, 30-C4, 46-D2
PCI3_AD(23)	20-D4, 26-C4, 29-C2, 29-D4, 30-C4, 46-D2
PCI3_AD(24)	20-D4, 26-C4, 29-D4, 30-C4, 46-D2
PCI3_AD(25)	20-D4, 26-B4, 26-C4, 29-D4, 30-C4, 46-D2
PCI3_AD(26)	20-D4, 26-C4, 29-D4, 30-C4, 46-D2
PCI3_AD(27)	20-D4, 26-C4, 29-D4, 30-C4, 46-D2
PCI3_AD(28)	20-D4, 26-C4, 29-D4, 30-C4, 46-D2

Net Name	Sheet Number-Location
PCI3_AD(29)	20-D4, 26-C4, 29-D4, 30-C4, 46-D2
PCI3_AD(3)	20-D4, 26-C4, 29-D4, 30-C4, 46-C4
PCI3_AD(30)	20-D4, 26-C4, 29-D4, 30-C4, 46-D2
PCI3_AD(31)	20-D4, 26-C4, 29-D4, 30-C4, 46-D2
PCI3_AD(31:0)	20-D4, 26-C4, 29-D4, 30-C4
PCI3_AD(4)	20-D4, 26-C4, 29-D4, 30-C4, 46-C4
PCI3_AD(5)	20-D4, 26-C4, 29-D4, 30-C4, 46-C4
PCI3_AD(6)	20-D4, 26-C4, 29-D4, 30-C4, 46-B4
PCI3_AD(7)	20-D4, 26-C4, 29-D4, 30-C4, 46-B4
PCI3_AD(8)	20-D4, 26-C4, 29-D4, 30-C4, 46-B4
PCI3_AD(9)	20-D4, 26-C4, 29-D4, 30-C4, 46-B4
PCI3_CBE0*	20-C3, 26-B4, 29-B2, 30-B4, 46-B4
PCI3_CBE1*	20-C3, 26-B4, 29-B4, 30-B4, 46-B4
PCI3_CBE2*	20-C3, 26-B4, 29-B4, 30-B4, 46-B4
PCI3_CBE3*	20-C3, 26-B4, 29-C4, 30-B4, 46-B4
PCI3_CLKRUN*	20-B2, 22-D1, 26-A4, 29-B4, 30-A4, 34-C2, 36-B2, 46-B2
PCI3_DEVSEL*	20-C3, 22-C1, 26-A4, 29-B2, 30-B4, 46-B2
PCI3_FRAME*	20-B4, 22-C1, 26-B4, 29-B2, 30-B4, 46-C2
PCI3_GNT0*	20-D3, 26-B4, 46-B4
PCI3_GNT1*	20-D2, 29-C2, 46-B4
PCI3_GNT2*	20-D3, 22-B1, 30-B4, 46-B4
PCI3_GNT3*	20-D3, 22-B1, 46-B4
PCI3_INTA*	20-B4, 22-C1, 26-C3, 46-B4

9 Schematic Diagram

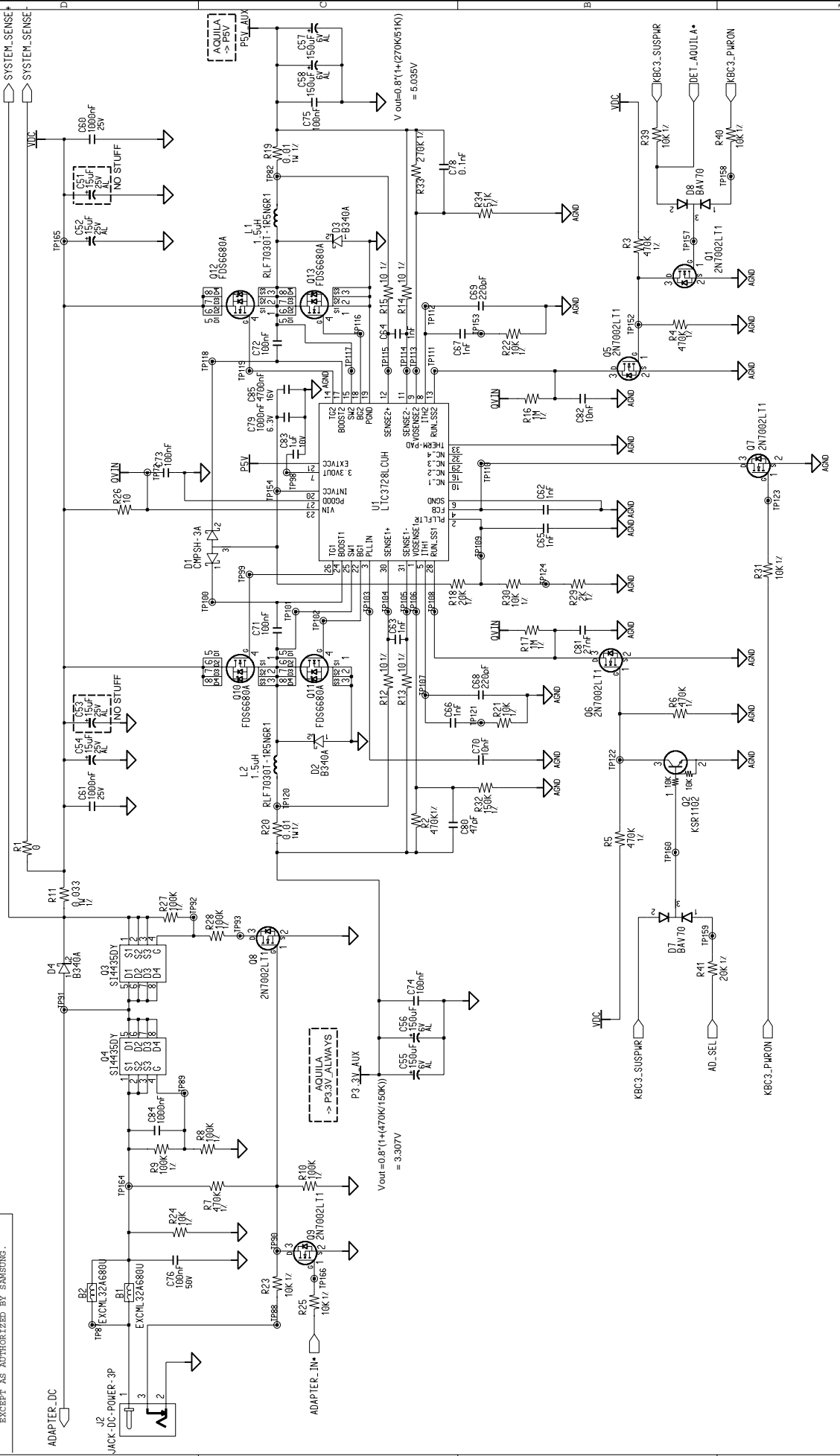
Net Name	Sheet Number-Location
PCI3_INTB*	20-B4, 22-C1, 26-B3, 46-B4
PCI3_INTC*	20-B4, 22-C1, 26-B3, 46-B4
PCI3_INTD*	20-B4, 22-C1, 46-B4
PCI3_INTE*	20-B3, 22-C1, 29-C2, 46-B4
PCI3_INTF*	20-B3, 22-C1, 29-C4, 46-B4
PCI3_INTG*	20-B3, 22-C1, 30-B4, 46-B4
PCI3_INTH*	20-B3, 22-C1, 46-B4
PCI3_IRDY*	20-C3, 22-C1, 26-B4, 29-B4, 30-B4, 46-B4
PCI3_PAR	20-C3, 22-D1, 26-B4, 29-B2, 30-B4, 46-C4
PCI3_PERR*	20-C3, 22-C1, 26-A4, 29-B4, 30-B4, 46-B4
PCI3_PLOCK*	20-C3, 22-C1, 46-C2
PCI3_REQ0*	20-D3, 22-C1, 26-B4, 46-B4
PCI3_REQ1*	20-D3, 22-C1, 29-C4, 46-B4
PCI3_REQ2*	20-D3, 22-C1, 30-B4, 46-B4
PCI3_REQ3*	20-D3, 22-C1, 46-B4
PCI3_RST*	20-C3, 26-A4, 29-C2, 30-B4, 46-A4
PCI3_SERR*	20-C3, 22-C1, 26-A4, 29-B4, 30-B4, 46-B4
PCI3_STOP*	20-C3, 22-C1, 26-A4, 29-B2, 30-B4, 46-B4
PCI3_TRDY*	20-C3, 22-C1, 26-B4, 29-B2, 30-B4, 46-A4
PCIE3_WAKE*	20-B2, 22-C3, 46-C2
PLT3_RST*	20-A3, 20-C3, 46-A4
PLT3_RSTF*	13-A1, 20-A2, 20-A3, 25-C4, 34-C2, 35-B4, 35-C2, 36-C2, 46-A4
QUICK3_BOOT*	36-B1, 36-B2, 46-B2
S1-	42-C4, 42-D1, 46-D4
S1+	42-B4, 42-C4, 42-D1, 46-D4
S2-	42-B1, 42-B4, 46-D4
S2+	42-B1, 42-B4, 42-C4, 46-D4
SATA3_DET*	20-C2, 35-B4, 46-A4
SATA3_RN	19-C4, 35-B4
SATA3_RP	19-B4, 35-B4
SATA3_TN	19-B4, 35-B4

Net Name	Sheet Number-Location
SATA3_TP	19-B4, 35-B4
SMB3_ALERT*	20-C2, 22-C3, 46-C2
SMB3_CLK	7-A4, 16-B2, 20-D2, 22-D3, 46-C4
SMB3_DATA	7-A4, 16-B2, 20-D2, 22-D3, 46-A4
SMB3_LINKALERT*	20-D2, 22-C3, 46-C2
SPDIF5_ON*	33-A1, 36-C2, 46-A4
SPDIF5_OUT	32-C4, 33-B2, 46-A4
SPROM3_DIN	30-B2, 31-A3, 46-A4
SPROM3_DOUT	30-B2, 31-A3, 46-C2
SYSTEM_SENSE-	37-D1, 41-C4, 46-D2
SYSTEM_SENSE+	37-D2, 41-C4, 46-D2
TPM3_PACCESS	34-C1, 36-B4, 46-B2
USB3_P0-	20-A1, 34-B2
USB3_P0+	20-A1, 34-B2
USB3_P1-	20-A1, 37-C2
USB3_P1+	20-A1, 37-C2
USB3_P2-	20-A1, 34-B2
USB3_P2+	20-A1, 34-B2
USB3_P3-	20-A1, 37-A4
USB3_P3+	20-A1, 37-A4
VGA2_DDCCLK	13-C4, 23-A4, 46-C2
VGA2_DDCDATA	13-C4, 23-A4, 46-B2
VGA3_BLUE	13-C4, 23-C4, 46-A4
VGA3_C	13-D4, 37-C1, 46-D4
VGA3_COMP	13-D4, 46-A4
VGA3_GREEN	13-C4, 23-C4, 46-A4
VGA3_HSYNC	13-C4, 23-B4, 46-A4
VGA3_RED	13-C4, 23-C4, 46-B4
VGA3_VSYNC	13-C4, 23-B4, 46-A4
VGA3_Y	13-D4, 37-C2, 46-D4
VOA-	42-A2, 42-C4
VOA+	42-B4, 42-C4
VOS-	42-C1, 42-C4, 46-D4
VREF3_OUT_MIC	32-C2, 33-B2, 46-D2
VTTTPWRGD	42-A4, 42-D4, 43-D2, 46-B4

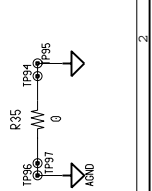
9 Schematic Diagram

9-2 DCDC BOARD

SAMSUNG PROPRIETARY
 THE INFORMATION CONTAINED HEREIN IS UNCLASSIFIED EXCEPT WHERE SHOWN OTHERWISE. IT IS THE PROPERTY OF SAMSUNG ELECTRONICS CO. AND IS LOANED TO YOU. IT IS TO BE USED ONLY FOR THE PURPOSES AUTHORIZED BY SAMSUNG ELECTRONICS CO. ANY DISSEMINATION OF THIS INFORMATION TO OTHERS WITHOUT THE EXPRESS WRITTEN PERMISSION OF SAMSUNG ELECTRONICS CO. IS STRICTLY PROHIBITED. SAMSUNG ELECTRONICS CO. IS NOT RESPONSIBLE FOR ANY DAMAGE TO PROPERTY OR PERSONS ARISING FROM THE USE OF THIS INFORMATION. SAMSUNG ELECTRONICS CO. IS NOT RESPONSIBLE FOR ANY LOSS OF DATA OR INFORMATION ARISING FROM THE USE OF THIS INFORMATION. SAMSUNG ELECTRONICS CO. IS NOT RESPONSIBLE FOR ANY LOSS OF PROFITS OR BUSINESS ARISING FROM THE USE OF THIS INFORMATION. SAMSUNG ELECTRONICS CO. IS NOT RESPONSIBLE FOR ANY LOSS OF REPUTATION ARISING FROM THE USE OF THIS INFORMATION. SAMSUNG ELECTRONICS CO. IS NOT RESPONSIBLE FOR ANY LOSS OF DATA OR INFORMATION ARISING FROM THE USE OF THIS INFORMATION. SAMSUNG ELECTRONICS CO. IS NOT RESPONSIBLE FOR ANY LOSS OF PROFITS OR BUSINESS ARISING FROM THE USE OF THIS INFORMATION. SAMSUNG ELECTRONICS CO. IS NOT RESPONSIBLE FOR ANY LOSS OF REPUTATION ARISING FROM THE USE OF THIS INFORMATION.

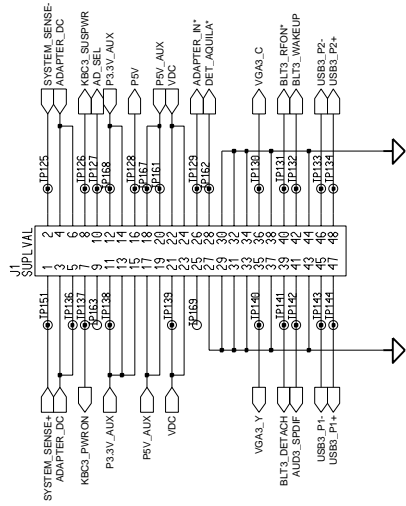


DRW	DATE	TITLE
SEO, HJ	02/08/2003	AQUILA-C
CHECK	REV: 310*	DC-DC BOARD
APPROVAL	HA, JS	PR
MODULE CODE	LEE, CH	REV
		10
	LAST EDIT	PAGE
	March, 9, 2002 4:21:54 PM	2
		OF
		3

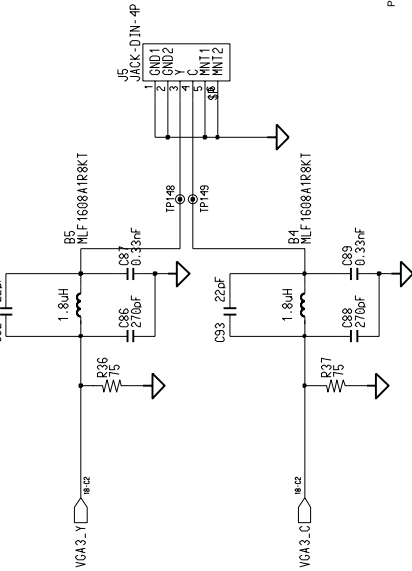


SAMSUNG PROPRIETARY
 THIS DOCUMENT CONTAINS CONFIDENTIAL
 SAMSUNG ELECTRONICS CO.'S PROPERTY.
 DO NOT DISCLOSE THIS INFORMATION TO ANY OTHERS
 WITHOUT THE EXPRESS WRITTEN AUTHORIZATION OF SAMSUNG.

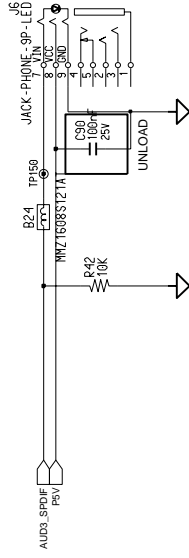
**CHANGE THIS CONNECTOR TO HEADER < 12809A-48G5T >
 FROM DCDC TO MAIN BOARD**



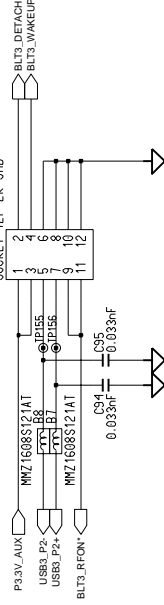
SUPER - VHS TV OUT



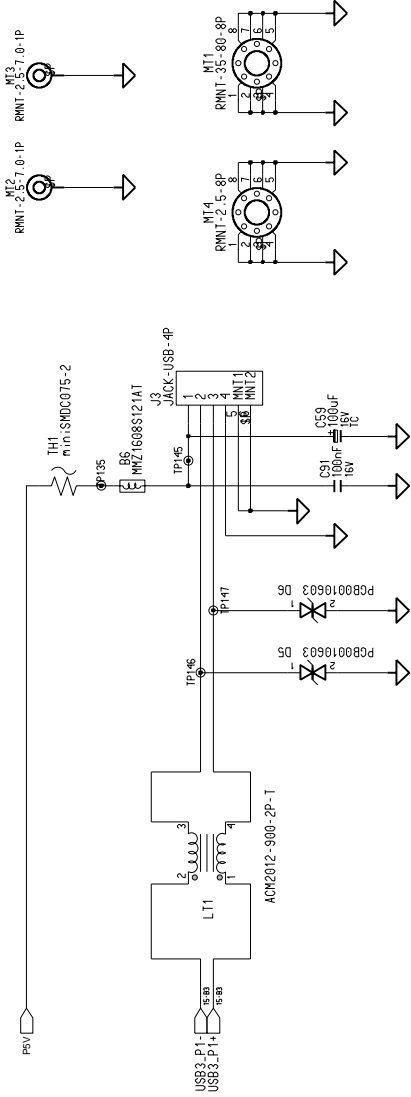
SPDIF OUT



bluetooth connector

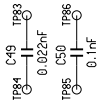


**USB
 90ohm +- 10%**



REV1 6
 20 03

NO	CONNECTION	DATE	BY	REV	DESCRIPTION
1	N.C.				
2	1-2				
3	2-3				
4	3-1				
5	1-2-3				
6	N.C.				
7	1-2				
8	2-3				
9	3-1				
10	1-2-3				



REV	DATE	TITLE
02/08/2003	02/08/2003	AQUILA_C
REV: 31P		DC-DC BOARD
HA, JS	PR	CONNECTOR & PORT
LEE, CH	REV	10
MODULE CODE	LAST EDIT	March, 9, 2002 4:23:55 PM
	PAGE	3 OF 3

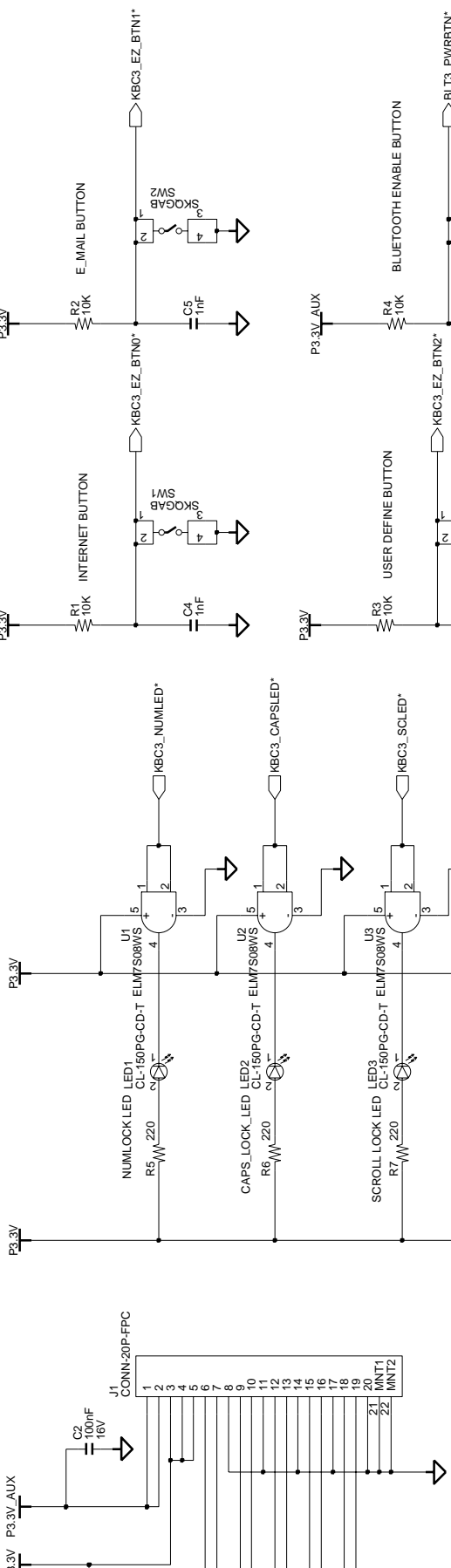
SAMSUNG
 ELECTRONICS
 PART NO: BA411-#####

9 Schematic Diagram

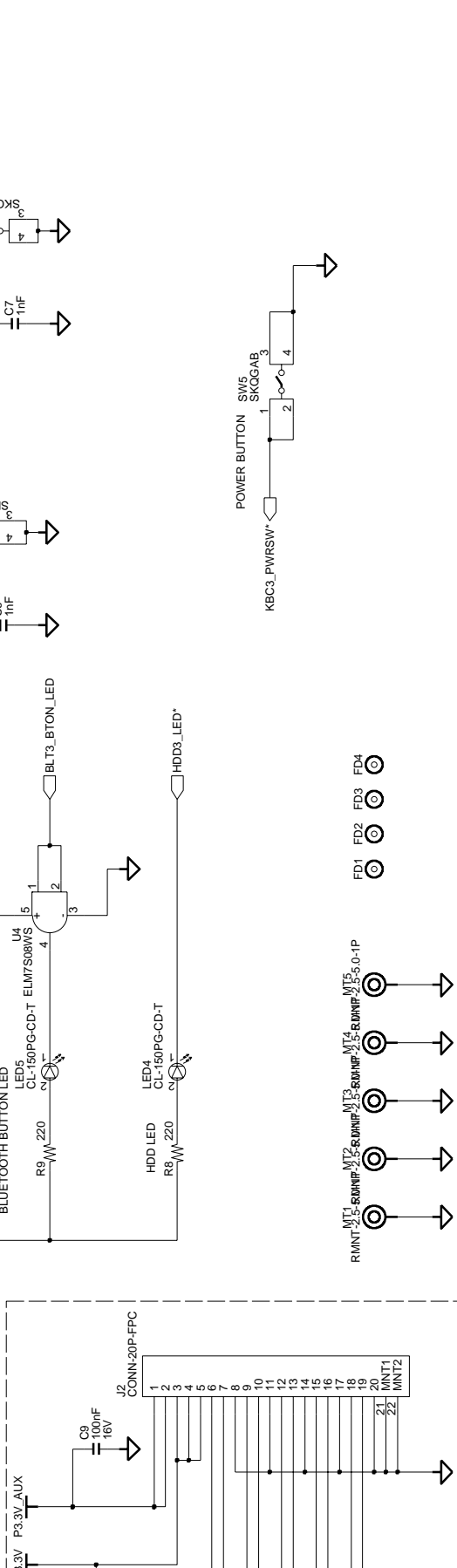
9-3 ONTOP BOARD

SAMSUNG PROPRIETARY
 THIS DOCUMENT CONTAINS CONFIDENTIAL
 INFORMATION AND IS THE PROPERTY OF
 SAMSUNG ELECTRONICS CO., LTD.
 DO NOT DISCLOSE TO OR DUPLICATE FOR OTHERS
 EXCEPT AS AUTHORIZED BY SAMSUNG.

FOR X06



FOR X05



NO_STUFF

DRAW	GUO, MICKY	DATE	5/25/2005	TITLE	AGUILA-SO
CHECK	ZHOU, PHIL	DEV. STEP	MP	ONTOP PCB	ONTOP PCB
APPROVAL	CHEN, ANTONIO	REV	1.0	ONTOP MAIN	ONTOP MAIN
MODULE CODE		LAST EDIT	May, 25, 2005, 10:09:07 AM	PAGE	1 OF 1