

GA-8I845G Schematics

Revision 1.01

SHEET TITLE

01	COVER SHEET
02	BOM & PCB MODIFY HISTORY
03	BLOCK DIAGRAM
04	P4_478A
05	P4_478B
06	P4_478C
07	GMCH-BROOKDALE-G_A
08	GMCH-BROOKDALE-G_B
09	GMCH-BROOKDALE-G_C
10	DDR SERIAL TERMINATION
11	DDR1 & DDR2
12	DDR3 & DDR TERM.
13	AGP SLOT
14	ICH4_1
15	ICH4_2
16	FWH
17	ICS950211AF CLOCK GEN
18	PCI1 & PCI2 SLOT
19	PCI3 & PCI4 SLOT
20	PCI5 SLOT
21	LPC IO ITE 8702 & FLOPPY & FAN
22	FRONT USB2.0
23	FRONT PANEL

SHEET TITLE

24	IDE CONNECTOR
25	PS/2 K/B & M/S
26	COM & PRT PORT
27	AC97 CODEC
28	LINE OUT/IN/MIC/FRONT AUDIO & GAME
29	VGA CONNECTOR
30	MISC. PWR & ATX POWER
31	VCORE PWM(FAN5093)
32	DDR POWER
33	REALTEK8110C
34	PCI ROUNTING
35	GPIO PIN LIST

Model Name: GA-8I845G

Version: 1.01

Circuit or PCB layout change for next version

Component value change history

29.3cm X 21.0cm 60+-15% C Type

DATE	Change Item	Reason
2005/05/09	1.0A BOM RELEASE	Modify from 9MI845GERZ-00-10C
2005/05/20	1.0B BOM RELEASE	NB change to 845G, VDDQ add MOS Q29 TO252, Change Q92->TO252
2005/06/01	1.0B BOM ECN RELEASE	Correct Package
2005/06/09	1.0B BOM ECN RELEASE	Correct PCB vendor
2005/06/15	1.0C BOM RELEASE	Add W83301 VTTDDR HIGH SIDE MOSFET GATE PD 3K
		Correct Package

www.kythatvitable.com

DATE	Change Item	Reason
2005/05/09	1.0 GERBER OUT. (未出圖)	Modify from 8I845GE-RZ PCB Rev1.02
2005.05.18	1.01 GERBER OUT	

BLOCK DIAGRAM

INTEL Pentium4 (478)

VICORE = 1.75V / SLEEP: 1.3V
VCC3

PAGE 4, 5, 6

PWM/OTHER POWER

VICORE = 1.75V (60-110MHZ) / SLEEP: 1.3V
5VSB=12V,+12V,VCC,VCC3,DUAL
VTI_DDR2_5VSTR

PAGE 30, 31, 32

CLOCK GENERATOR

CKVDD = 3.3V

PAGE 17

**GMCH
BROOKDALE-G-DDR**

VICORE = 1.75V / SLEEP: 1.3V
2_5VSTR = 2.5V(MEMORY,SUSPEND POWER)
VDDQ = 1.5V (AGP POWER 4X, HUBLINK)

PAGE 7, 8, 9

DDR SDRAM DIMM X 3

2_5VSTR = 2.5V(MEMORY,SUSPEND POWER)
VTI_DDR = 1.25V

PAGE 10, 11, 12

AGP SLOT 4X

VDDQ = 1.5V (AGP POWER 4X)
VCC3 = 3.3V
+12V = 12V
3VDUAL = 3.3V
VCC = 5V

PAGE 13

FRONT USB CONN.

PAGE 22

ICH4

VCC25 = 2.5V(I/O, MEMORY, VLINK)
3VDUAL = 3.3V(SUSPEND POWER)
VCC3 = 3.3V
RTCVD0 = 3.3V

PAGE 14, 15

IDE Primary and Secondary

VCC = 5V

PAGE 24

REAR USB PORTS

VCC = 5V
5VSB = 5V
5VUSB = 5V

PAGE 33

FWH

VCC = 5V
VCC3 = 3V

PAGE 16

PCI SLOT 1, 2, 3, 4, 5

+12 = 12V
+12 = 12V
VCC = 5V
VCC3 = 3V
3VDUAL = 3V

PAGE 18, 19, 20

REALTEK 8100C LAN

+12 = 12V
+12 = 12V
VCC = 5V
VCC3 = 3V
3VDUAL = 3V

PAGE 18, 19, 20

LPC I/O ITE8712
FDD IR/CIR S_IRQ GAME

VCC = 5V
VCC3 = 3V

PAGE 21

AC97 CODEC 9761A

+12V = 12V
VCC3 = 3.3V
VCC = 5V
VDD = 5V

PAGE 27

AUDIO PORTS : FRONT AUDIO
LIN_OUT LINE_IN MIC
TELE CD_IN

PAGE 28

I/O PORTS :
COMA COMB LPT PS2

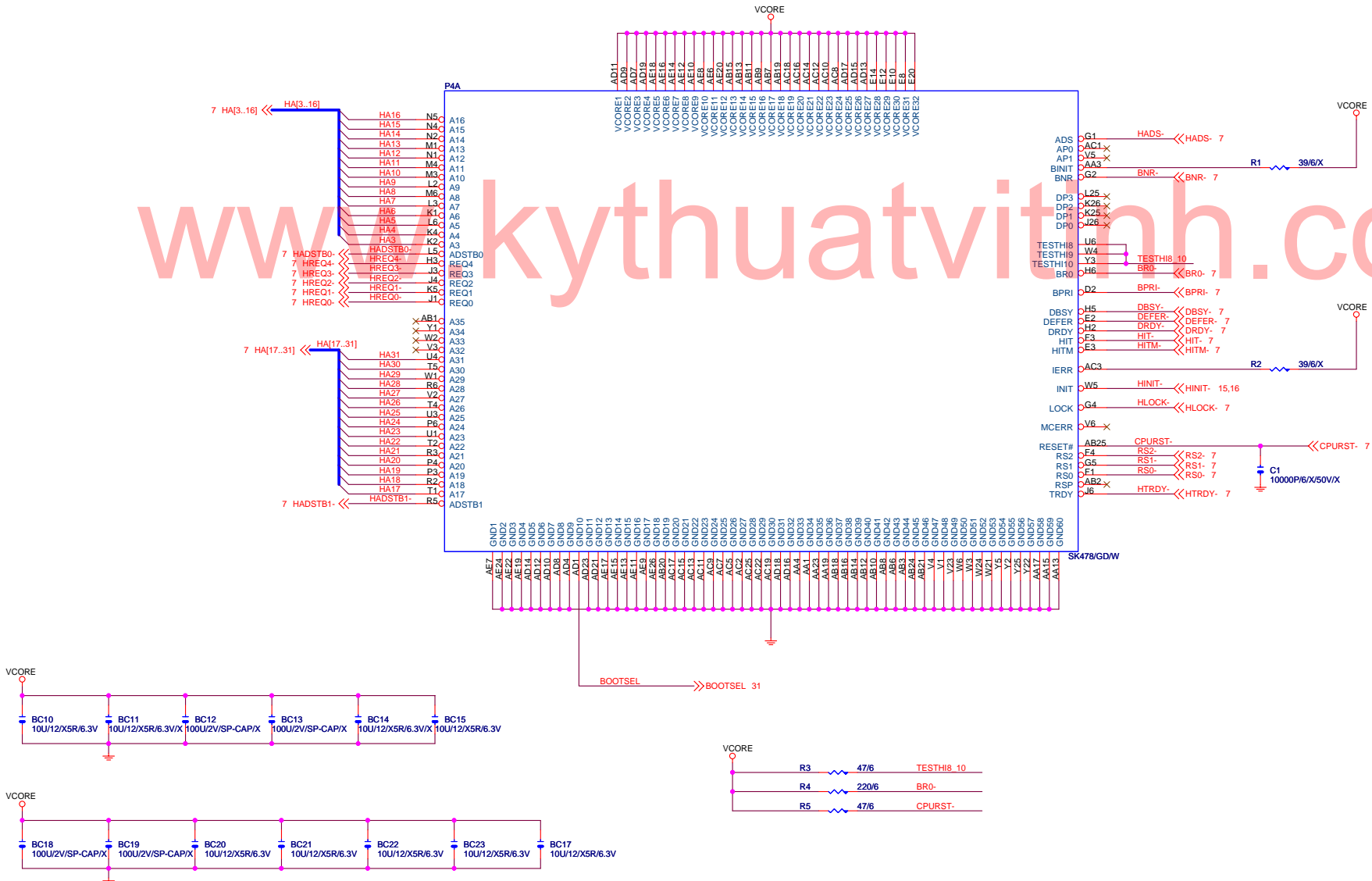
PAGE 26

FRONT PANEL /FANS

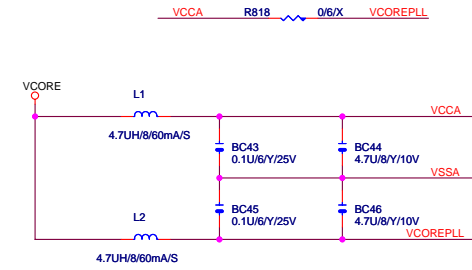
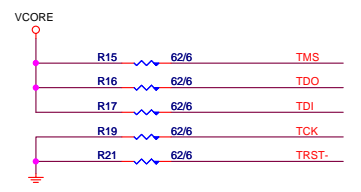
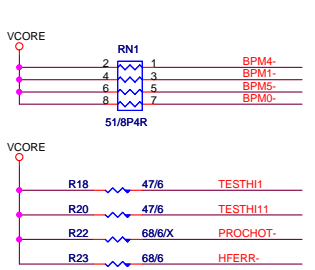
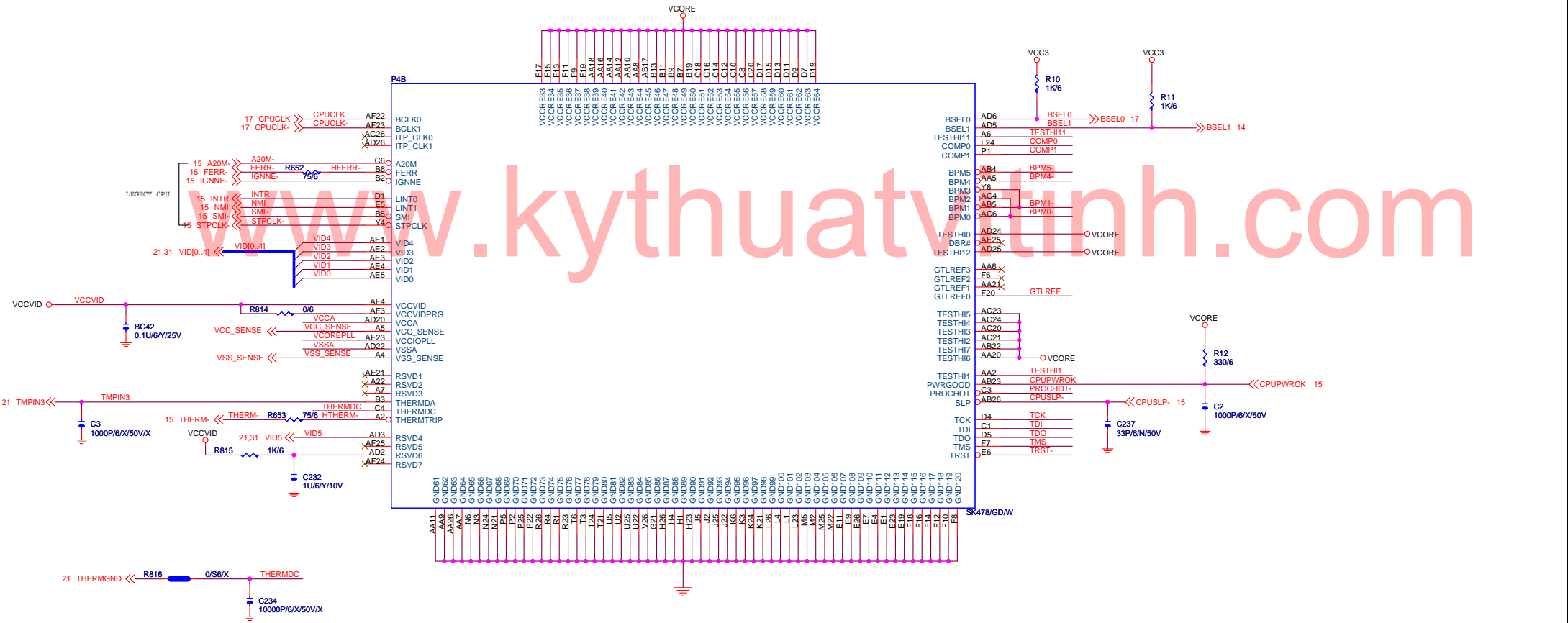
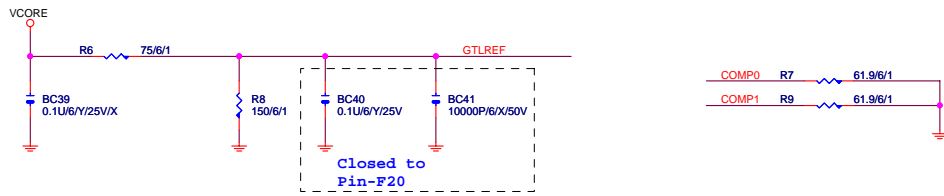
VCC = 5V
5VSB = 5V
+12 = 12V
5VPC = 5V

PAGE 23

www.kythuatvitnh.com

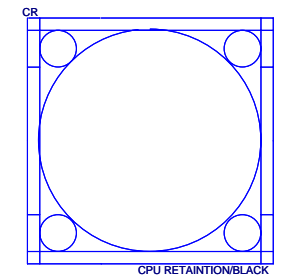
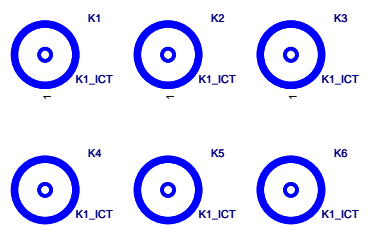
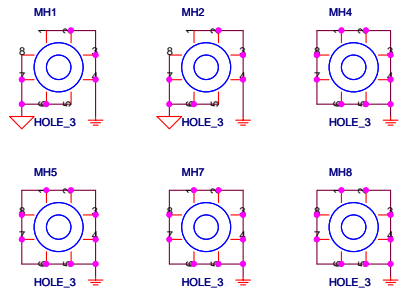
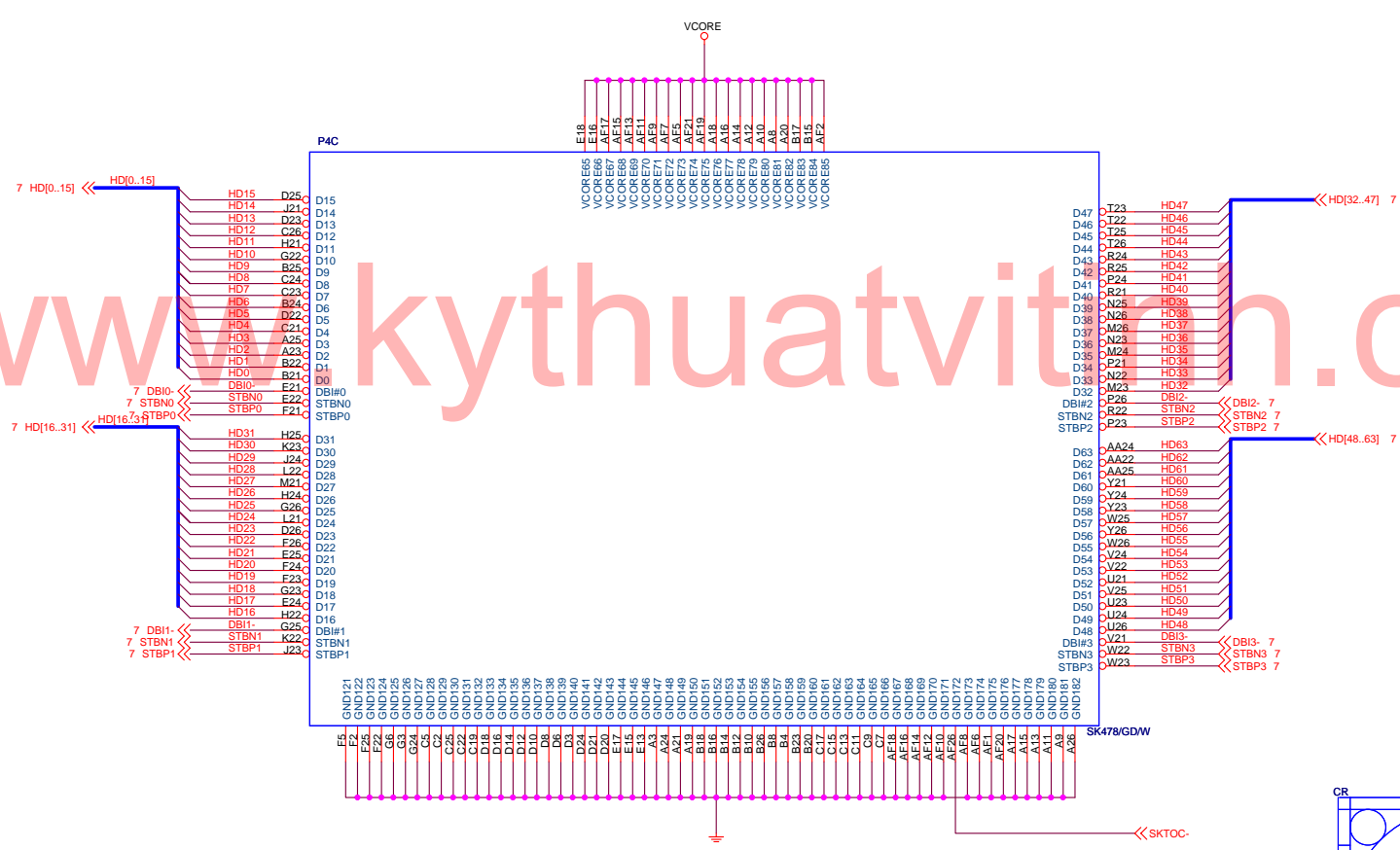


Title			P4 478A		
Size	Document Number			Rev	
Custom	GA-81845G			1.01	
Date:	Wednesday, June 15, 2005	Sheet	4	of	35

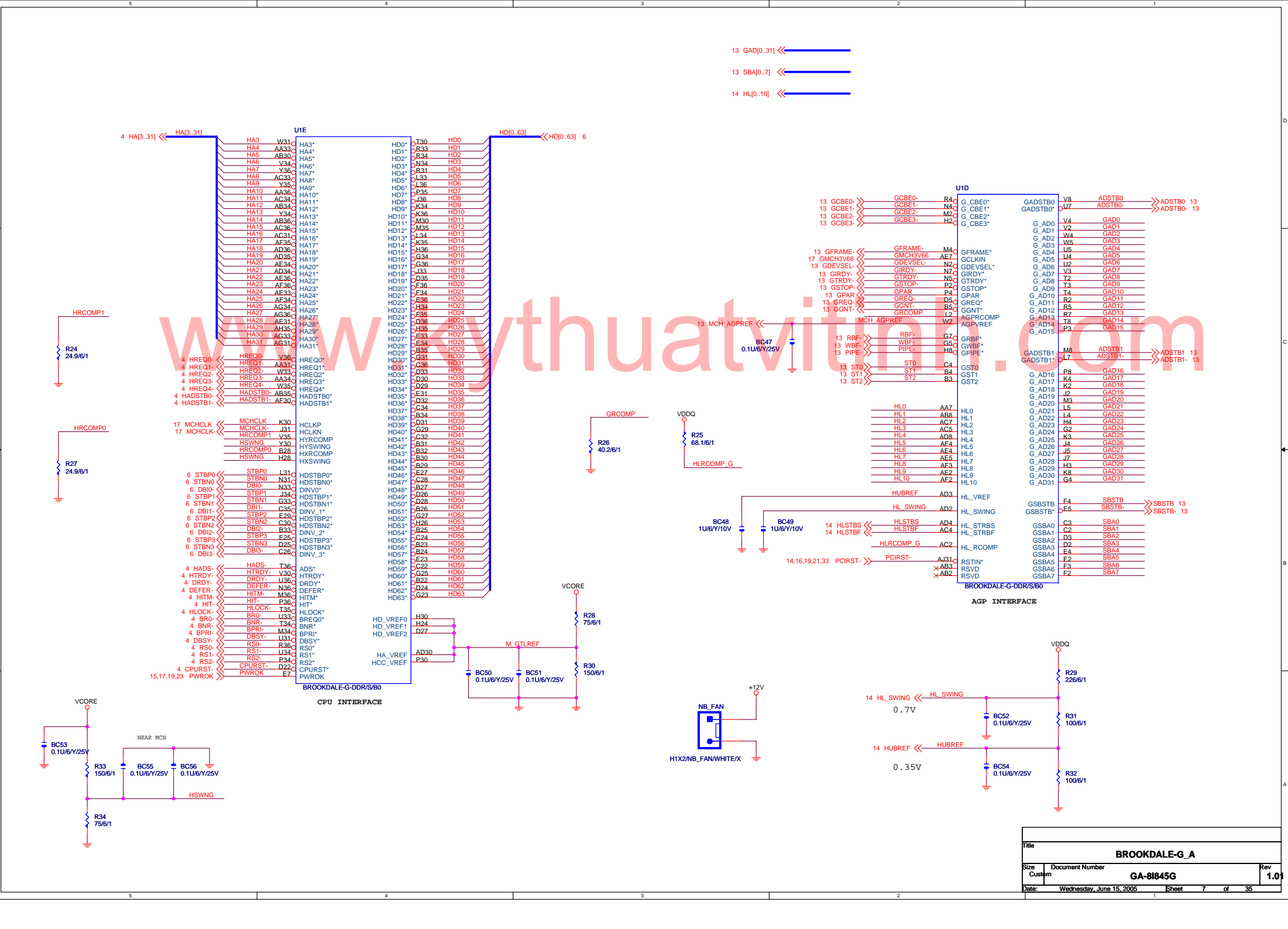


Title	P4 478B	
Size	Document Number	Rev
Custom	GA-81845G	1.01
Date:	Wednesday, June 15, 2005	Sheet 5 of 35

www.kythuativit.com



Title			P4 478C		
Size	Document Number	Rev			
Custom	GA-81845G	1.01			
Date:	Wednesday, June 15, 2005	Sheet	6	of	35

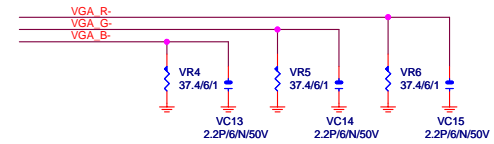
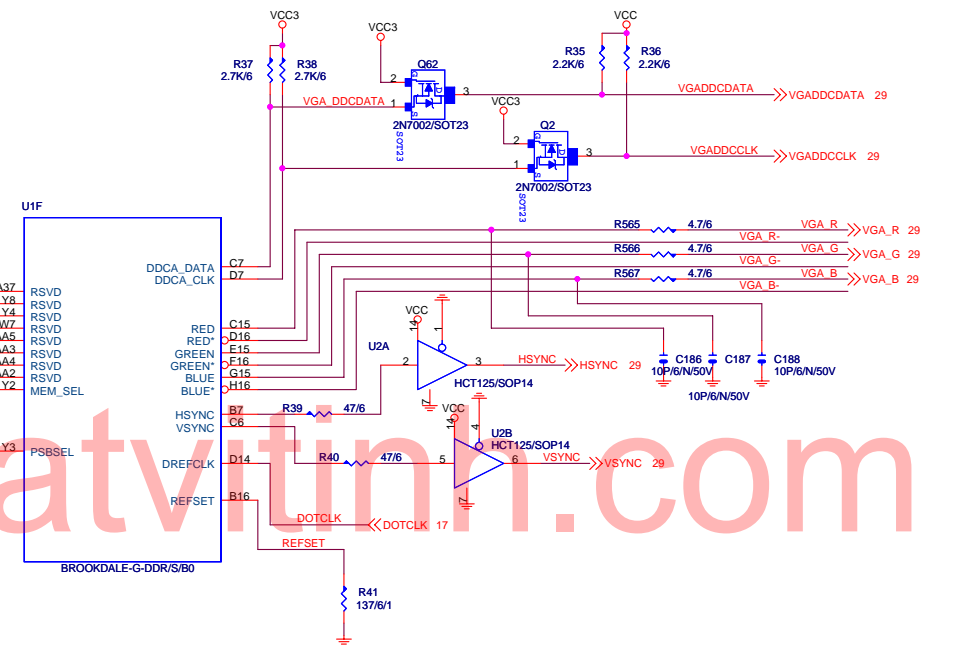
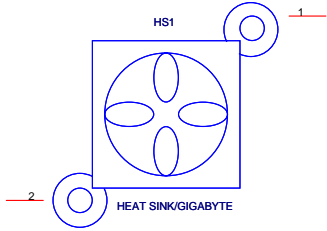
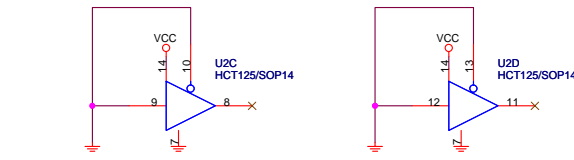
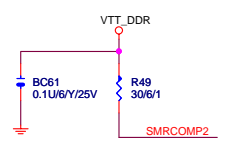
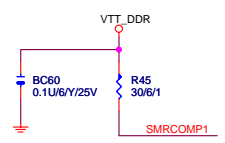
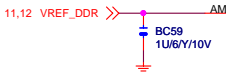


Title		
BROOKDALE-G_A		
Size	Document Number	Rev
Custom	GA-81845G	1.01
Date:	Wednesday, June 15, 2005	Sheet 7 of 35

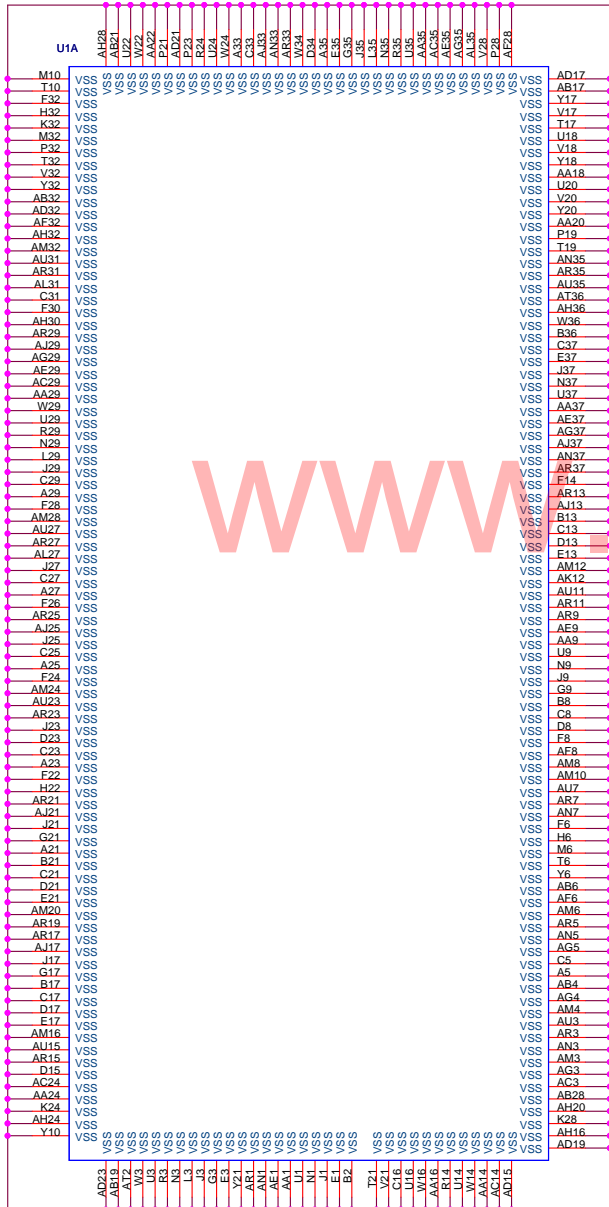
11,12 MAA[0..12] >> MAA[0..12]
 11,12 MAA_CPC[1..5] >> MAA_CPC[1..5]
 11,12 MAB_CPC[1..5] >> MAB_CPC[1..5]
 10 DM[0..7] >> DM[0..7]
 10 MD[0..63] >> MD[0..63]
 10 -DQS[0..7] >> -DQS[0..7]

UHC		UHF	
MAA0	AL25	SMAA0	SDQS0
MAA_CPC1	AN25	SMAA1	SDM0
MAA_CPC2	AP23	SMAA2	
MAA3	AK20	SMAA3	SDQ0
MAA_CPC4	AL19	SMAA4	SDO1
MAA_CPC5	AL17	SMAA5	SDO2
MAA6	AP19	SMAA6	SDO3
MAA7	AP17	SMAA7	SDO4
MAA8	AN17	SMAA8	SDO5
MAA9	AK16	SMAA9	SDO6
MAA10	AK26	SMAA10	SDO7
MAA11	AL15	SMAA11	
MAA12	AN15	SMAA12	
MAB_CPC1	AP25	SMAB1	SDQS1
MAB_CPC2	AN23	SMAB2	SDM1
MAB_CPC4	AN19	SMAB4	
MAB_CPC5	AK18	SMAB5	
11,12 -SWEA	AP29	SWE*	SDO8
11,12 -SCASA	AN29	SCAS*	SDO9
11,12 -SRASA	AK28	SRAS*	SDO10
11,12 SBS0	AN27	SBA0	SDO11
11,12 SBS1	AP27	SBA1	SDO12
11,12 -CS0	AL29	SCS0*	SDO13
11,12 -CS1	AP31	SCS1*	SDO14
11,12 -CS2	AK30	SCS2*	SDO15
11,12 -CS3	AN31	SCS3*	
11,12 CKE0	AP13	SCKE0	SDQ16
11,12 CKE1	AN13	SCKE1	SDQ17
11,12 CKE2	AK14	SCKE2	SDQ18
11,12 CKE3	AL13	SCKE3	SDQ19
11 DCLK0	AL21	SCMD_CLK0	SDQ20
11 -DCLK0	AK22	SCMD_CLK0*	SDQ21
11 DCLK1	AN11	SCMD_CLK1	SDQ22
11 -DCLK1	AP11	SCMD_CLK1*	SDQ23
11 DCLK2	AM34	SCMD_CLK2	SDQ24
11 -DCLK2	AL34	SCMD_CLK2*	SDQ25
11 DCLK3	AP21	SCMD_CLK3	SDQ26
11,12 -DCLK3	AN21	SCMD_CLK3*	SDQ27
11,12 DCLK4	AP9	SCMD_CLK4	SDQ28
11,12 -DCLK4	AN9	SCMD_CLK4*	SDQ29
11,12 DCLK5	AP33	SCMD_CLK5	SDQ30
11,12 -DCLK5	AN34	SCMD_CLK5*	SDQ31
11 DCLK0	AL21	SCMD_CLK0	SDQS3
11 -DCLK0	AK22	SCMD_CLK0*	SDM3
11 DCLK1	AN11	SCMD_CLK1	
11 -DCLK1	AP11	SCMD_CLK1*	SDQ24
11 DCLK2	AM34	SCMD_CLK2	SDQ25
11 -DCLK2	AL34	SCMD_CLK2*	SDQ26
11,12 DCLK3	AP21	SCMD_CLK3	SDQ27
11,12 -DCLK3	AN21	SCMD_CLK3*	SDQ28
11,12 DCLK4	AP9	SCMD_CLK4	SDQ29
11,12 -DCLK4	AN9	SCMD_CLK4*	SDQ30
11,12 DCLK5	AP33	SCMD_CLK5	SDQ31
11,12 -DCLK5	AN34	SCMD_CLK5*	
11 DCLK0	AL21	SCMD_CLK0	SDQS4
11 -DCLK0	AK22	SCMD_CLK0*	SDM4
11 DCLK1	AN11	SCMD_CLK1	
11 -DCLK1	AP11	SCMD_CLK1*	SDQ32
11 DCLK2	AM34	SCMD_CLK2	SDQ33
11 -DCLK2	AL34	SCMD_CLK2*	SDQ34
11,12 DCLK3	AP21	SCMD_CLK3	SDQ35
11,12 -DCLK3	AN21	SCMD_CLK3*	SDQ36
11,12 DCLK4	AP9	SCMD_CLK4	SDQ37
11,12 -DCLK4	AN9	SCMD_CLK4*	SDQ38
11,12 DCLK5	AP33	SCMD_CLK5	SDQ39
11,12 -DCLK5	AN34	SCMD_CLK5*	
11 DCLK0	AL21	SCMD_CLK0	SDQS5
11 -DCLK0	AK22	SCMD_CLK0*	SDM5
11 DCLK1	AN11	SCMD_CLK1	
11 -DCLK1	AP11	SCMD_CLK1*	SDQ40
11 DCLK2	AM34	SCMD_CLK2	SDQ41
11 -DCLK2	AL34	SCMD_CLK2*	SDQ42
11,12 DCLK3	AP21	SCMD_CLK3	SDQ43
11,12 -DCLK3	AN21	SCMD_CLK3*	SDQ44
11,12 DCLK4	AP9	SCMD_CLK4	SDQ45
11,12 -DCLK4	AN9	SCMD_CLK4*	SDQ46
11,12 DCLK5	AP33	SCMD_CLK5	SDQ47
11,12 -DCLK5	AN34	SCMD_CLK5*	
11 DCLK0	AL21	SCMD_CLK0	SDQS6
11 -DCLK0	AK22	SCMD_CLK0*	SDM6
11 DCLK1	AN11	SCMD_CLK1	
11 -DCLK1	AP11	SCMD_CLK1*	SDQ48
11 DCLK2	AM34	SCMD_CLK2	SDQ49
11 -DCLK2	AL34	SCMD_CLK2*	SDQ50
11,12 DCLK3	AP21	SCMD_CLK3	SDQ51
11,12 -DCLK3	AN21	SCMD_CLK3*	SDQ52
11,12 DCLK4	AP9	SCMD_CLK4	SDQ53
11,12 -DCLK4	AN9	SCMD_CLK4*	SDQ54
11,12 DCLK5	AP33	SCMD_CLK5	SDQ55
11,12 -DCLK5	AN34	SCMD_CLK5*	
11 DCLK0	AL21	SCMD_CLK0	SDQS7
11 -DCLK0	AK22	SCMD_CLK0*	SDM7
11 DCLK1	AN11	SCMD_CLK1	
11 -DCLK1	AP11	SCMD_CLK1*	SDQ56
11 DCLK2	AM34	SCMD_CLK2	SDQ57
11 -DCLK2	AL34	SCMD_CLK2*	SDQ58
11,12 DCLK3	AP21	SCMD_CLK3	SDQ59
11,12 -DCLK3	AN21	SCMD_CLK3*	SDQ60
11,12 DCLK4	AP9	SCMD_CLK4	SDQ61
11,12 -DCLK4	AN9	SCMD_CLK4*	SDQ62
11,12 DCLK5	AP33	SCMD_CLK5	SDQ63
11,12 -DCLK5	AN34	SCMD_CLK5*	

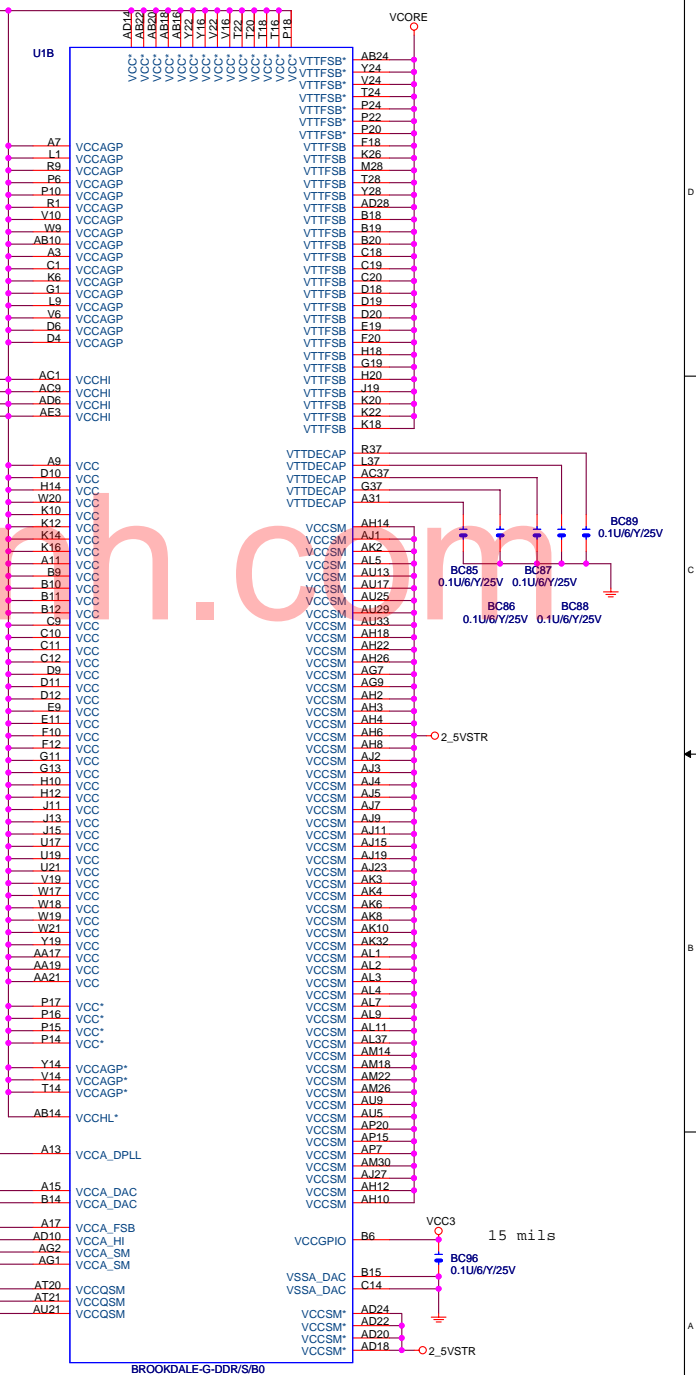
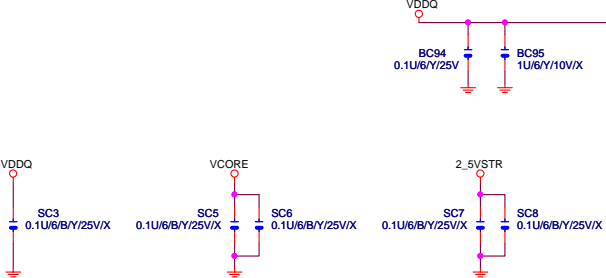
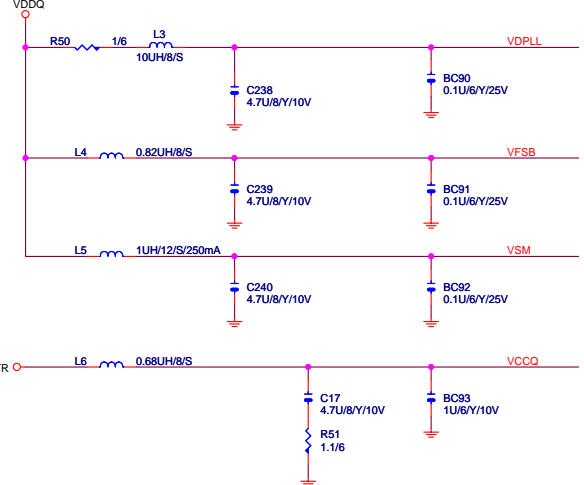
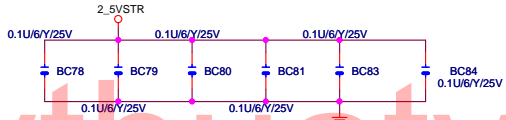
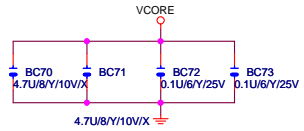
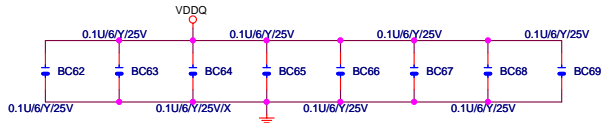
Total trace = 100 mils



Title			BROOKDALE-G_B		
Size	Document Number		Rev		
Custom	GA-81845G		1.01		
Date:	Wednesday, June 15, 2005	Sheet	8	of 35	



BROOKDALE-G-DDR/S/B0



BROOKDALE-G-DDR/S/B0

Title				BROOKDALE-G_C			
Size	Document Number			Rev			
Custom	GA-81845G			1.01			
Date:	Wednesday, June 15, 2005	Sheet	9	of	35		

11,12 MD[0..63] << MD[0..63] 8

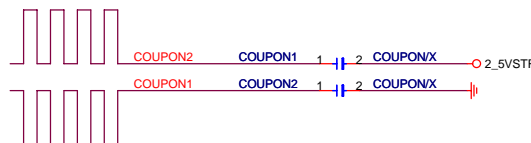
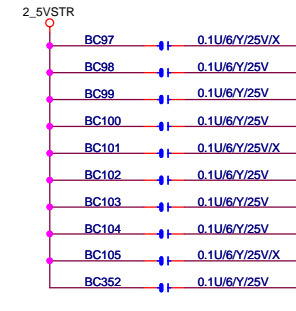
11,12 DM[0..7] >> DM[0..7] 8

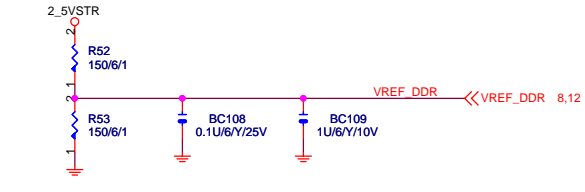
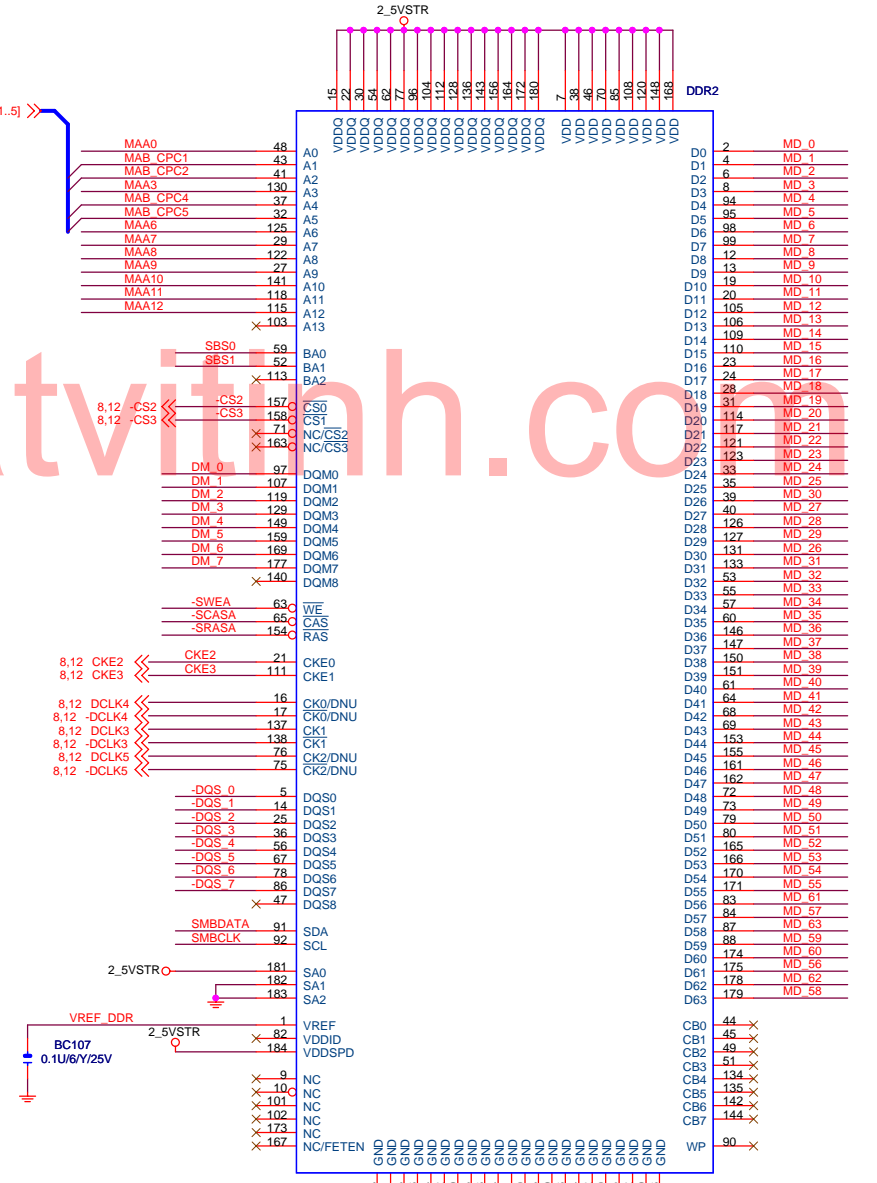
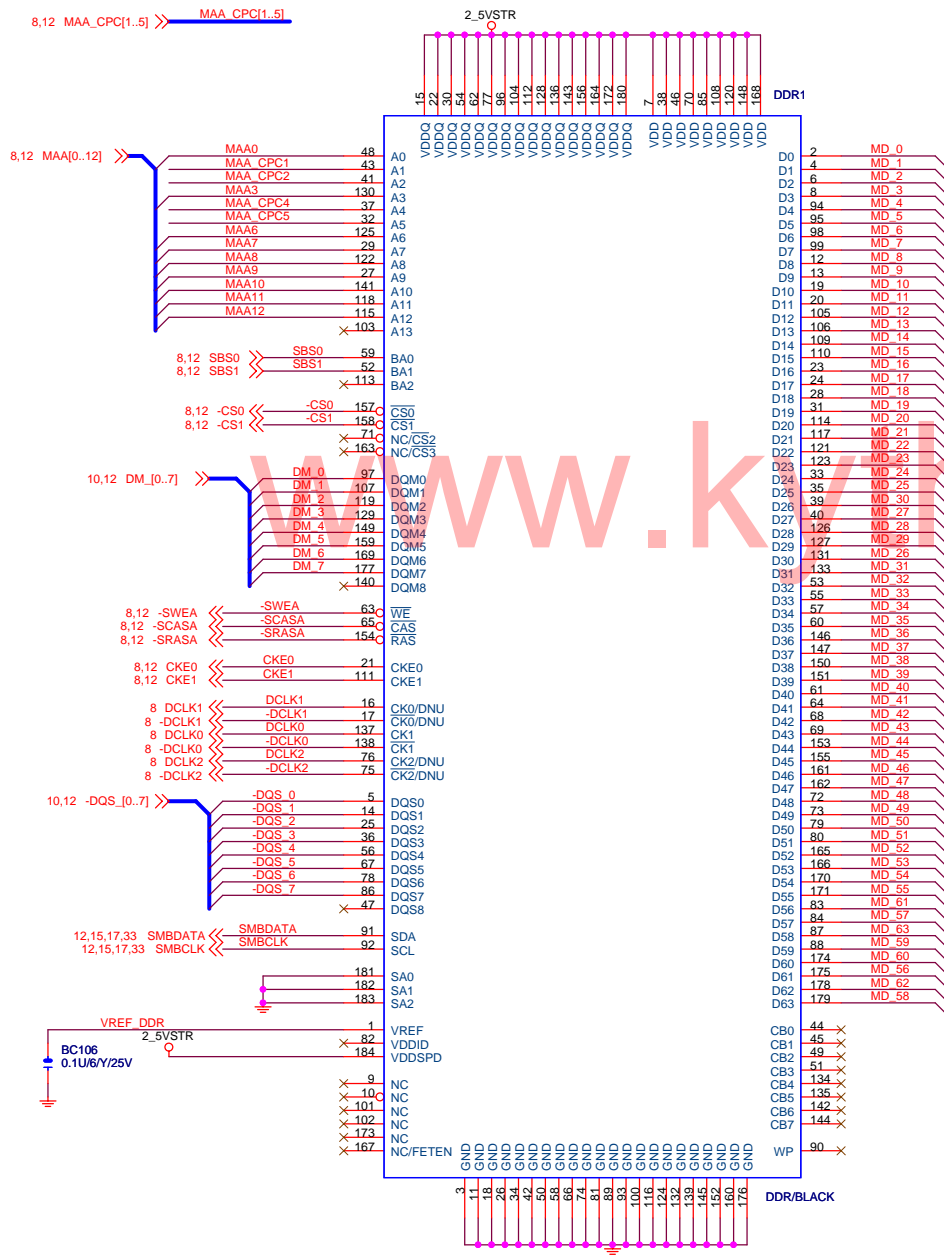
11,12 -DQS[0..7] << -DQS[0..7] 8

DM 0	RN3	1	2	10/8P4R	DM0
-DQS 0		3	4		-DQS0
MD 2		5	6		MD2
MD 6		7	8		MD6
MD 0	RN5	1	2	10/8P4R	MD0
MD 4		3	4		MD4
MD 5		5	6		MD5
MD 1		7	8		MD1
MD 12	RN6	1	2	10/8P4R	MD12
MD 13		3	4		MD13
-DQS 1		5	6		-DQS1
DM 1		7	8		DM1
MD 14	RN7	1	2	10/8P4R	MD14
MD 15		3	4		MD15
MD 10		5	6		MD10
MD 11		7	8		MD11
-DQS 2	RN9	1	2	10/8P4R	-DQS2
DM 2		3	4		DM2
MD 18		5	6		MD18
MD 22		7	8		MD22
MD 29	RN11	1	2	10/8P4R	MD29
MD 25		3	4		MD25
-DQS 3		5	6		-DQS3
DM 3		7	8		DM3
MD 28	RN12	1	2	10/8P4R	MD28
MD 30		3	4		MD30
MD 27		5	6		MD27
MD 31		7	8		MD31
MD 32	RN13	1	2	10/8P4R	MD32
MD 36		3	4		MD36
MD 33		5	6		MD33
MD 37		7	8		MD37
MD 39	RN14	1	2	10/8P4R	MD39
MD 35		3	4		MD35
MD 40		5	6		MD40
MD 44		7	8		MD44
-DQS 4	RN15	1	2	10/8P4R	-DQS4
DM 4		3	4		DM4
MD 34		5	6		MD34
MD 38		7	8		MD38
MD 45	RN16	1	2	10/8P4R	MD45
MD 41		3	4		MD41
DM 5		5	6		DM5
-DQS 5		7	8		-DQS5
MD 48	RN17	1	2	10/8P4R	MD48
MD 49		3	4		MD49
MD 52		5	6		MD52
MD 53		7	8		MD53
MD 50	RN18	1	2	10/8P4R	MD50
MD 51		3	4		MD51
MD 60		5	6		MD60
MD 61		7	8		MD61
DM 6	RN19	1	2	10/8P4R	DM6
-DQS 6		3	4		-DQS6
MD 54		5	6		MD54
MD 55		7	8		MD55
MD 56	RN20	1	2	10/8P4R	MD56
MD 57		3	4		MD57
DM 7		5	6		DM7
-DQS 7		7	8		-DQS7
MD 59	RN21	1	2	10/8P4R	MD59
MD 63		3	4		MD63
MD 58		5	6		MD58
MD 62		7	8		MD62

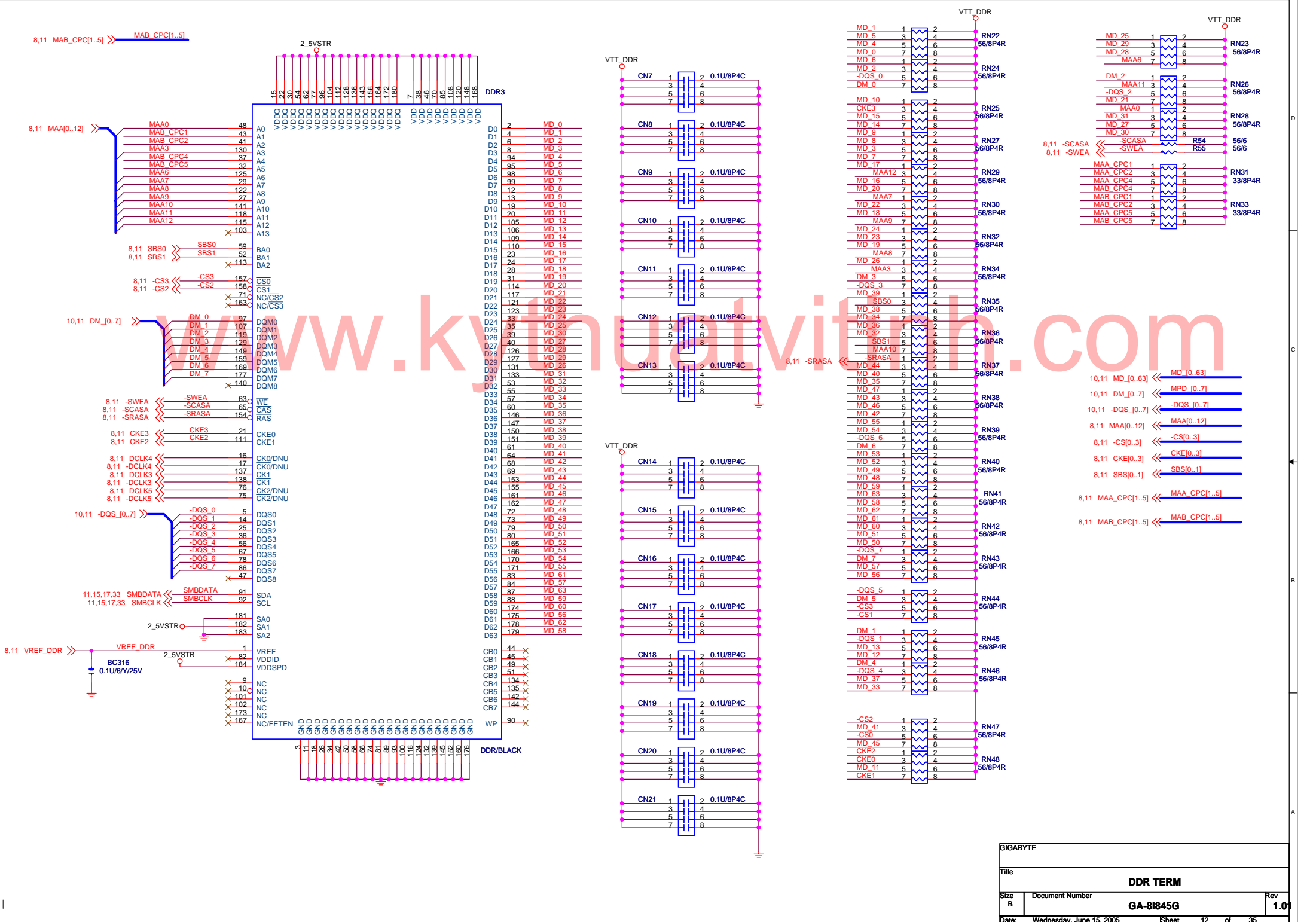
MD 20	RN2	1	2	10/8P4R	MD20
MD 16		3	4		MD16
MD 17		5	6		MD17
MD 21		7	8		MD21
MD 42	RN4	1	2	10/8P4R	MD42
MD 46		3	4		MD46
MD 43		5	6		MD43
MD 47		7	8		MD47

MD 7	RN8	1	2	10/8P4R	MD7
MD 3		3	4		MD3
MD 8		5	6		MD8
MD 9		7	8		MD9
MD 19	RN10	1	2	10/8P4R	MD19
MD 23		3	4		MD23
MD 24		5	6		MD24
MD 28		7	8		MD28

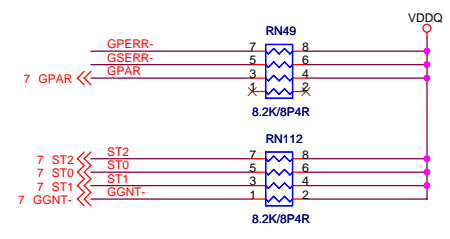
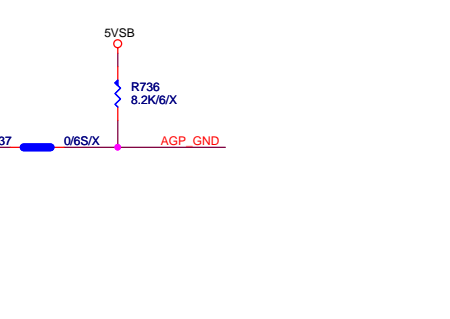
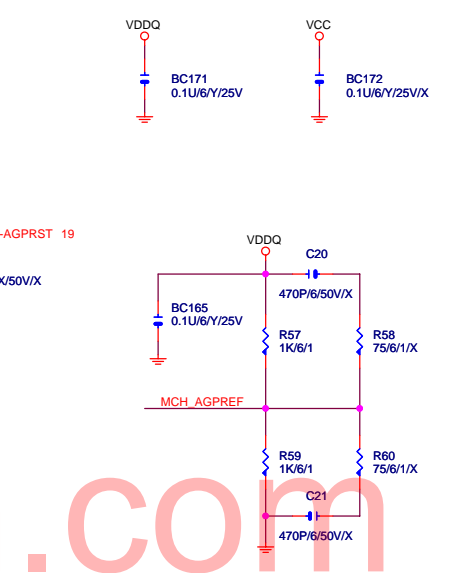
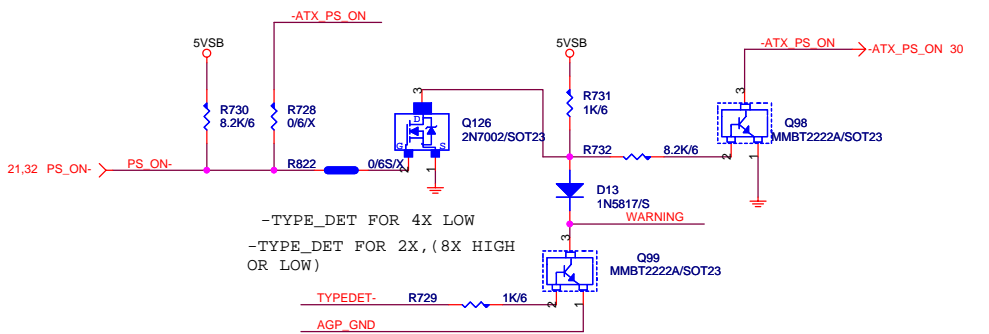
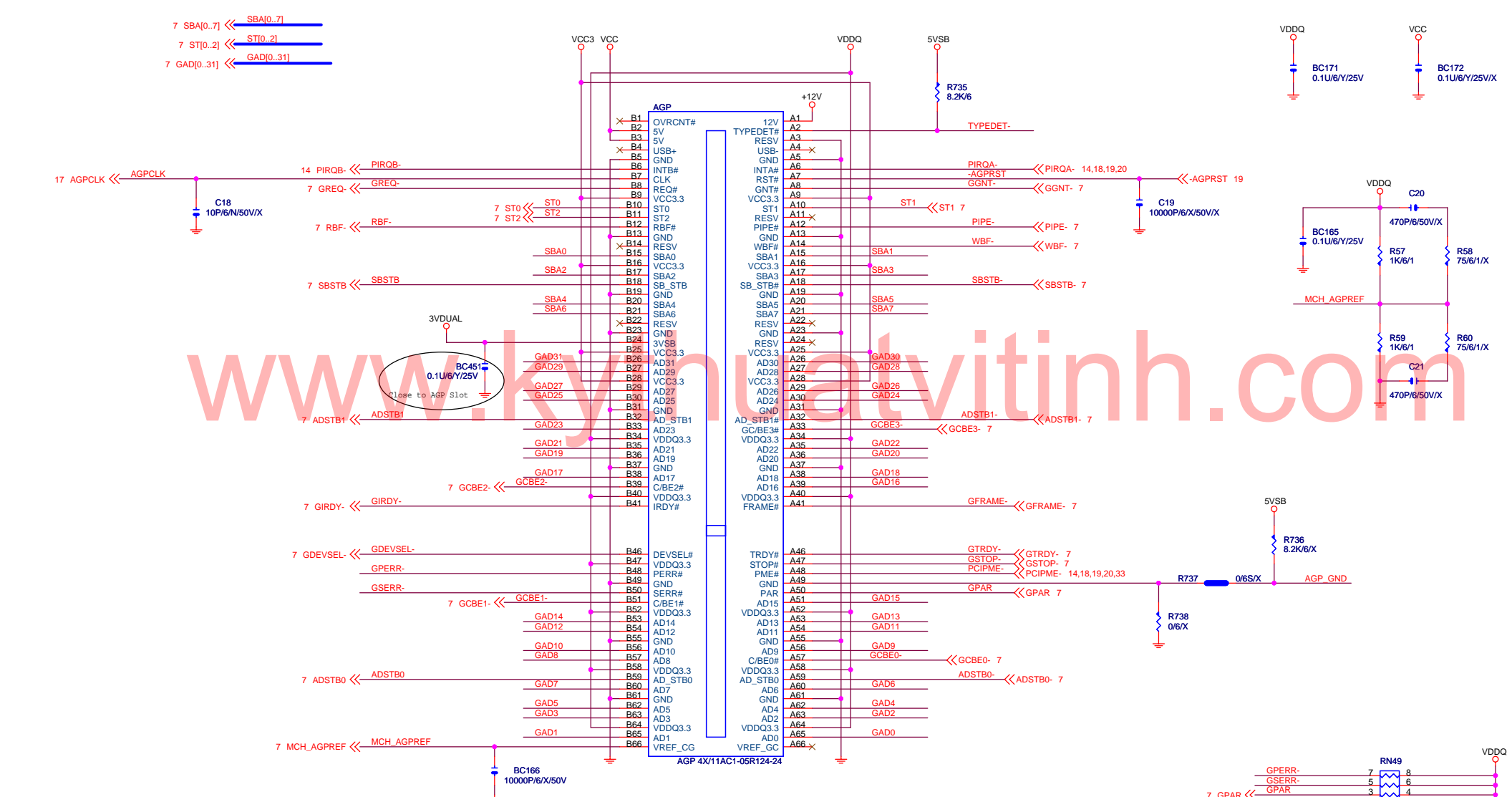




GIGABYTE			
Title	DDR1,2		
Size B	Document Number	GA-81845G	Rev 1.01
Date:	Wednesday, June 15, 2005	Sheet 11	of 35

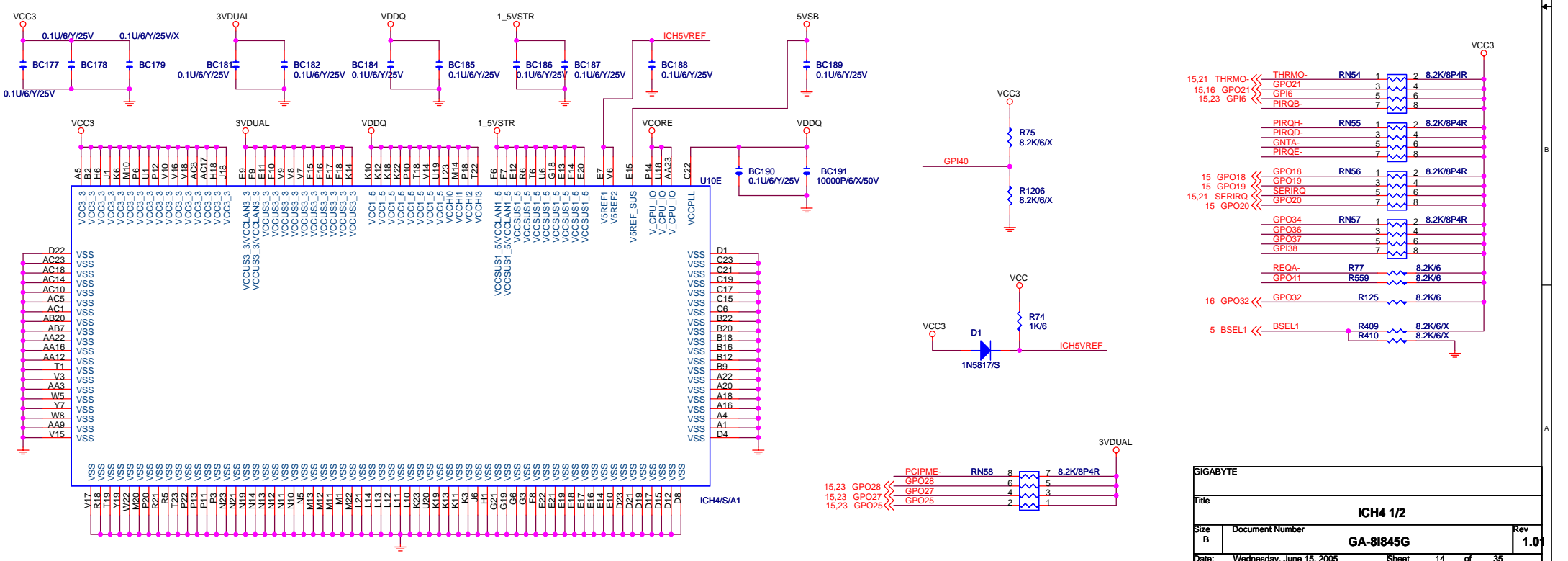
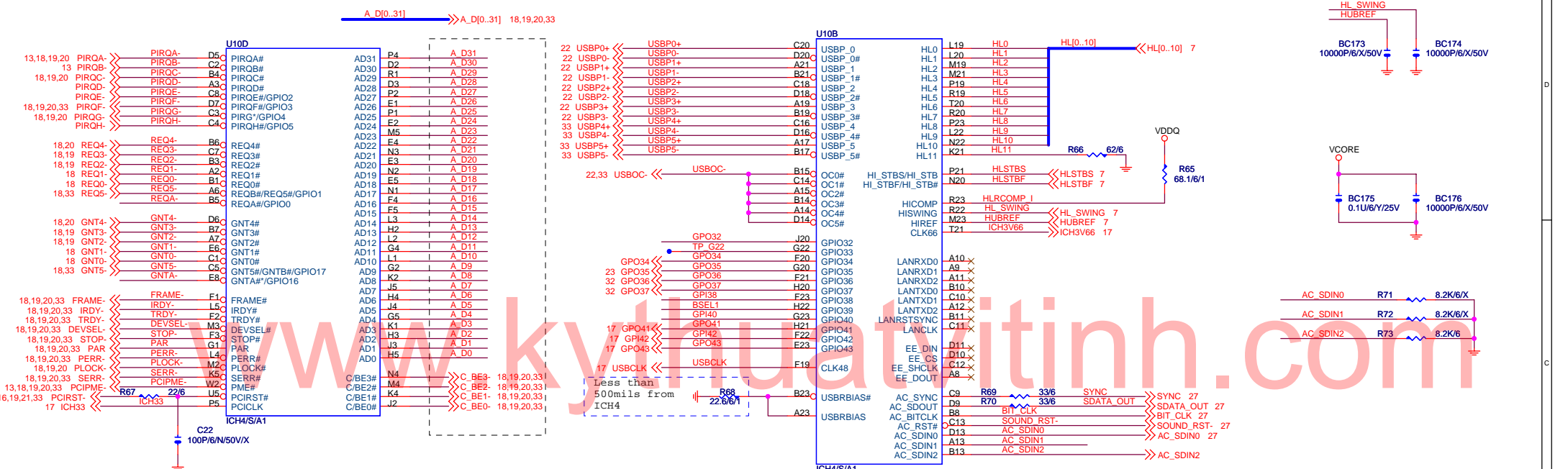


GIGABYTE			
Title		DDR TERM	
Size B	Document Number	GA-8I845G	Rev 1.01
Date:	Wednesday, June 15, 2005	Sheet 12	of 35

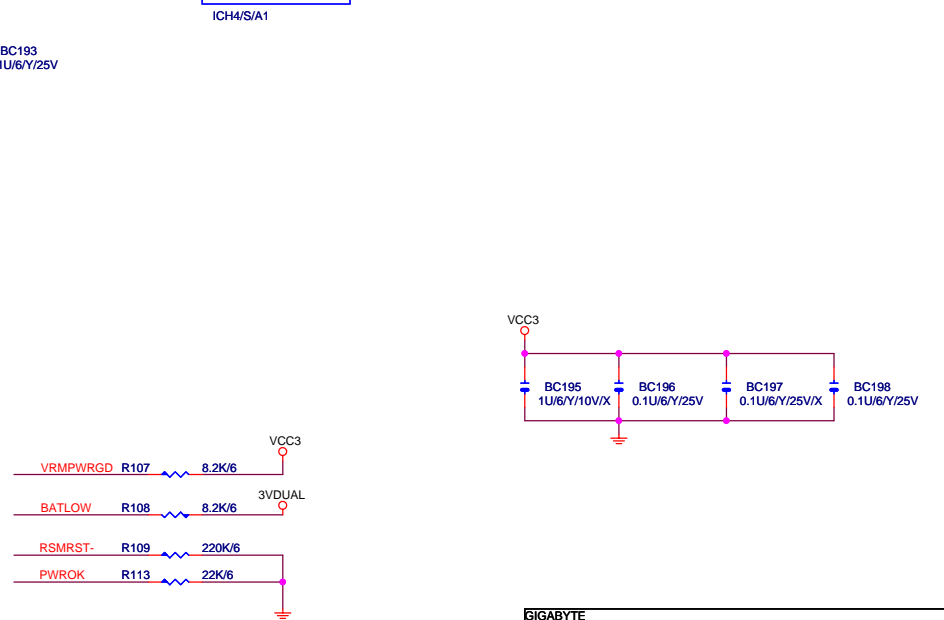
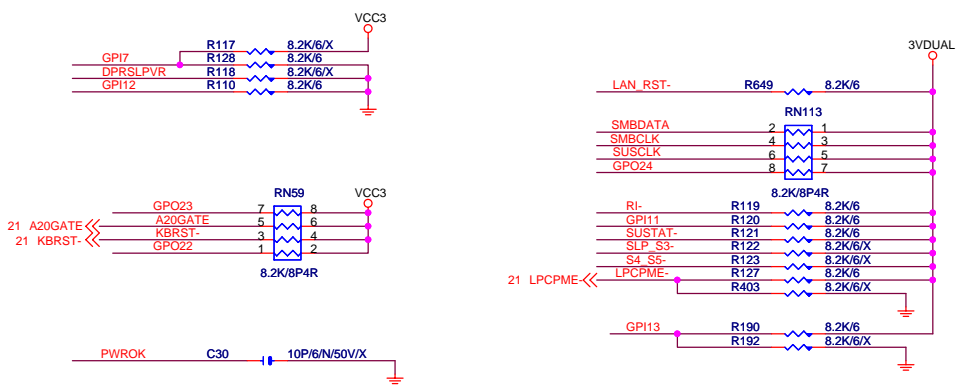
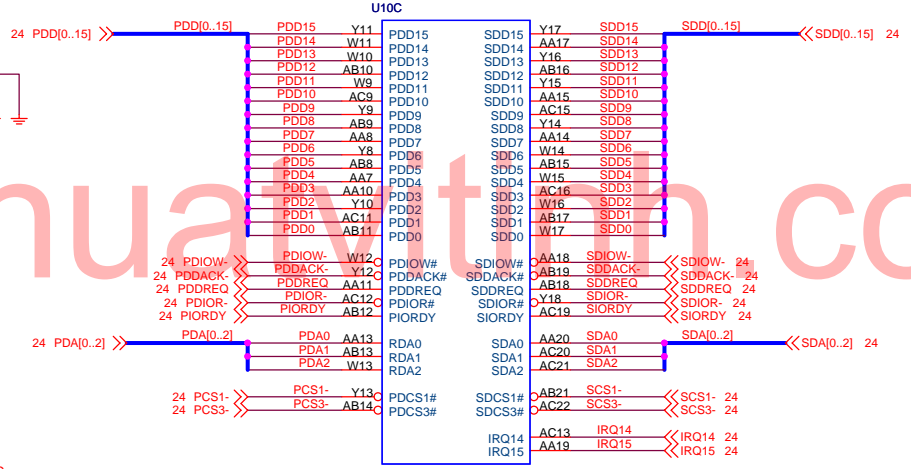
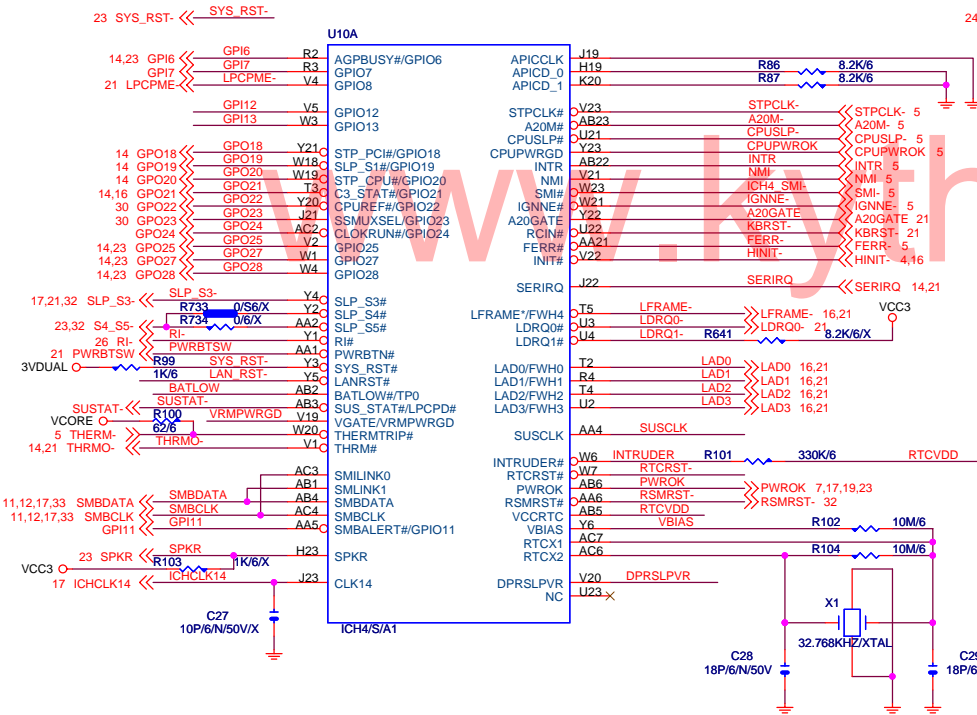
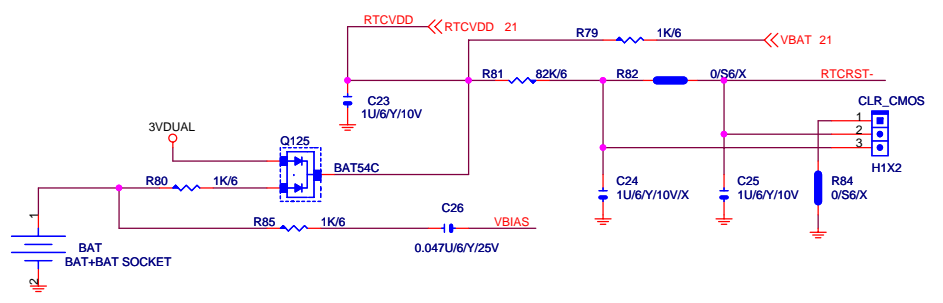


Layout 時整組線路均需靠近 AGP SLOT

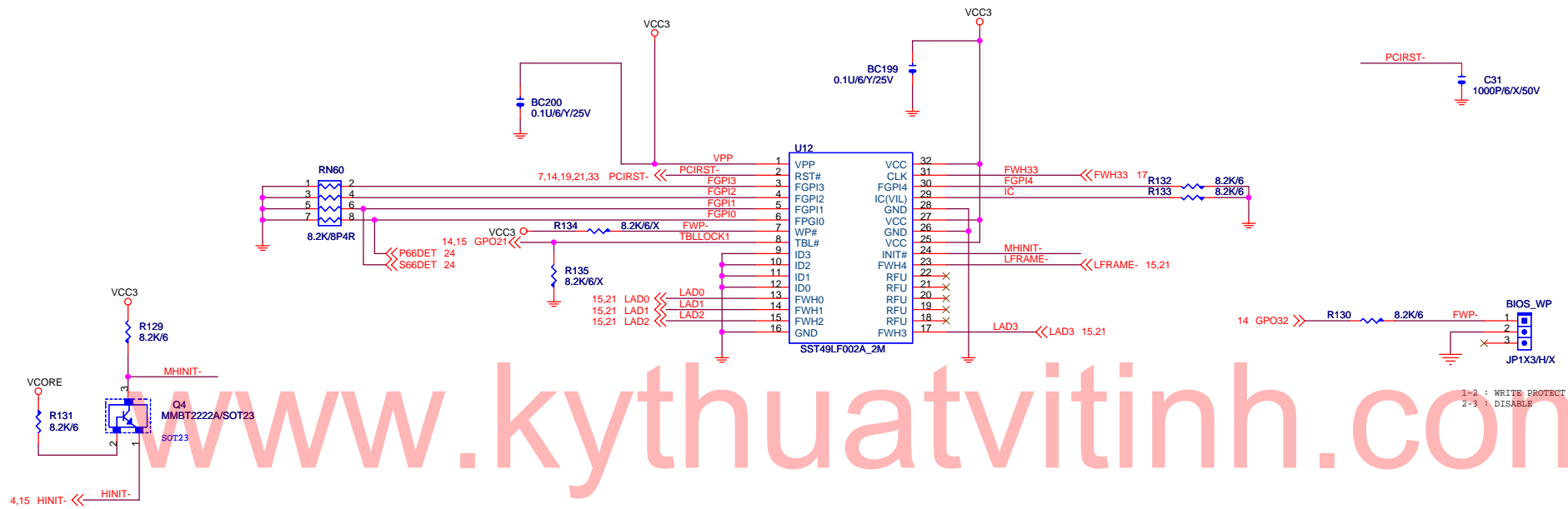
GIGABYTE			
Title			
AGP SLOT			
Size	Document Number	Rev	
Custom	GA-81845G	1.01	
Date:	Wednesday, June 15, 2005	Sheet	13 of 35



GIGABYTE	
Title: ICH4 1/2	
Size: B	Document Number: GA-81845G
Date: Wednesday, June 15, 2005	Sheet: 14 of 35
Rev: 1.01	

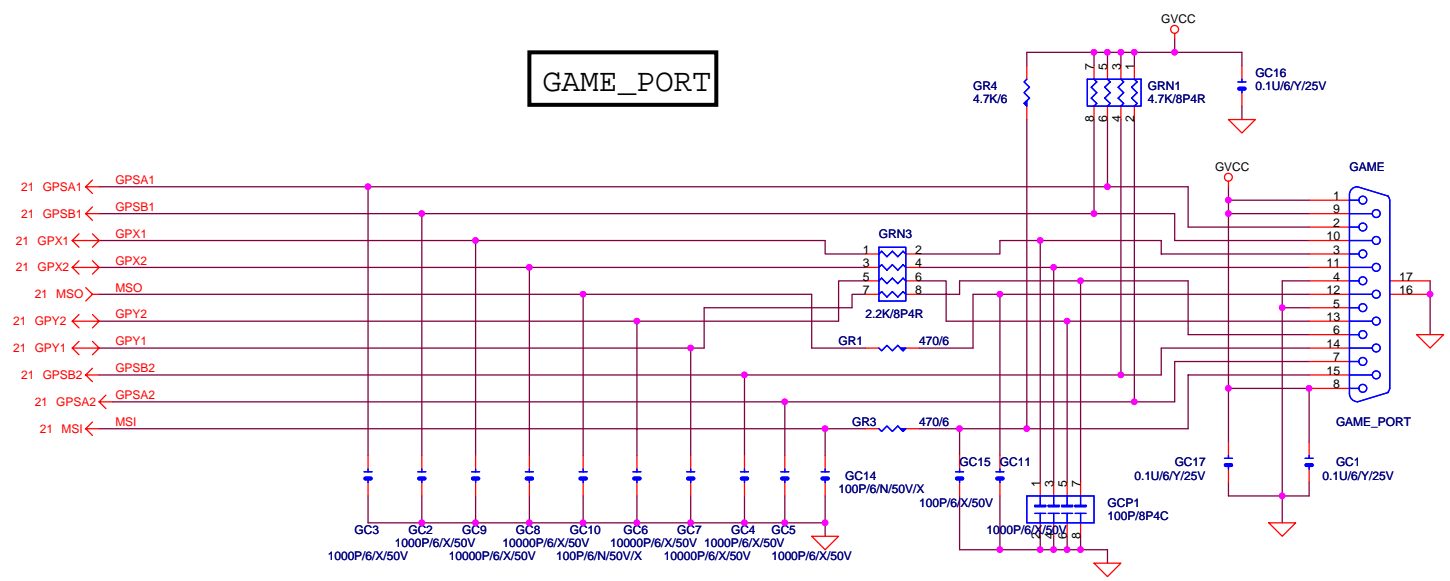


SIGNALBYTE			
Title			
ICH4 2/2			
Size	Document Number	Rev	
Custom	GA-81845G	1.01	
Date:	Wednesday, June 15, 2005	Sheet	15 of 35

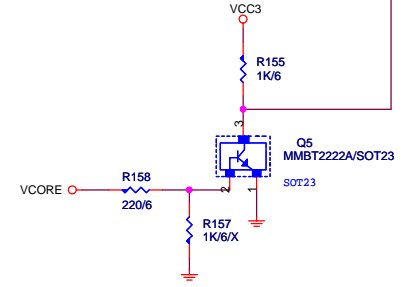
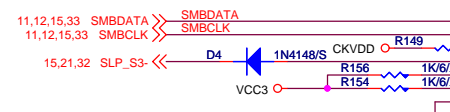
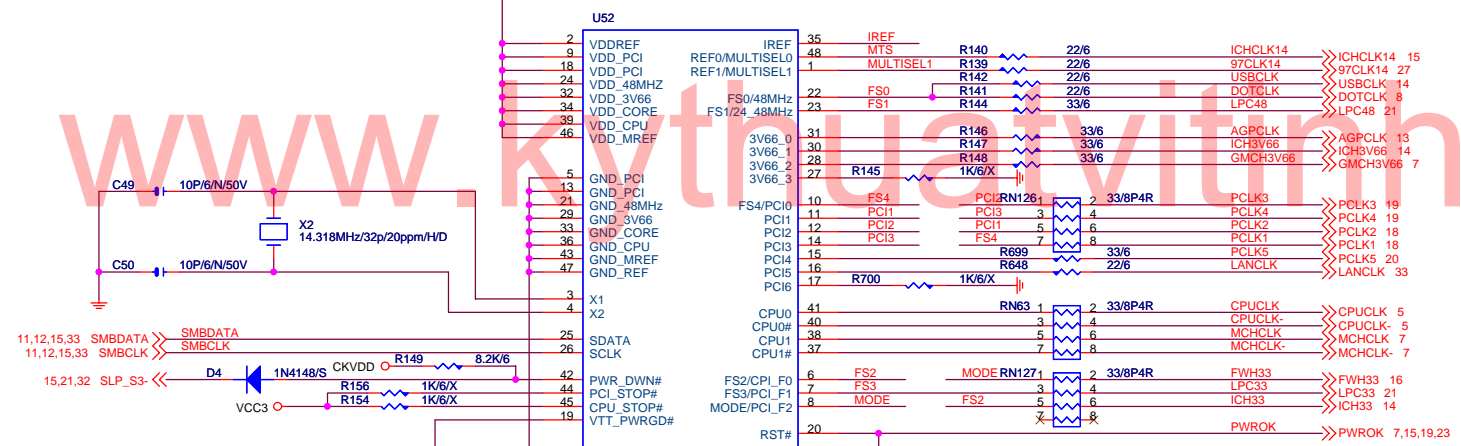
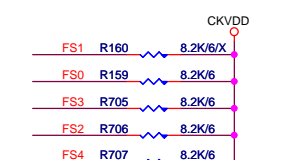
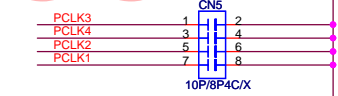
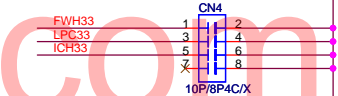
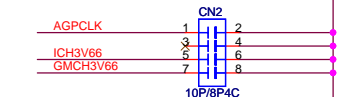
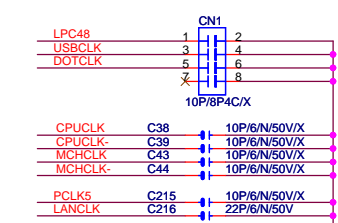
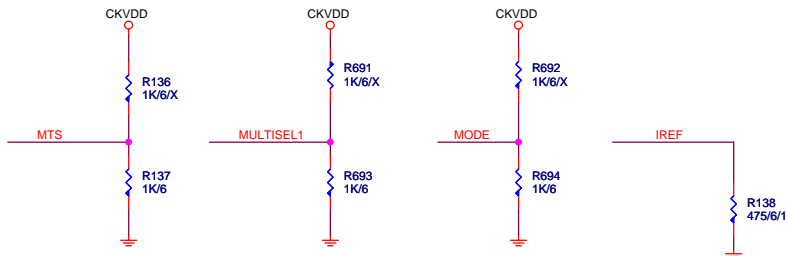
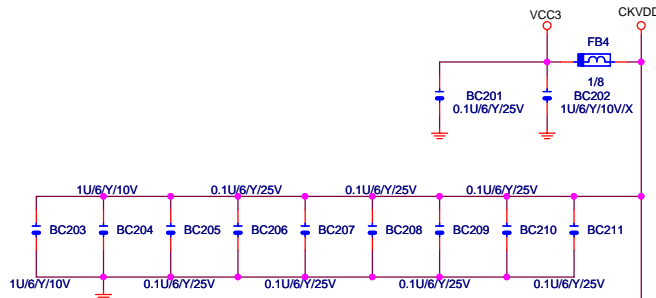


www.kythuatvithinh.com

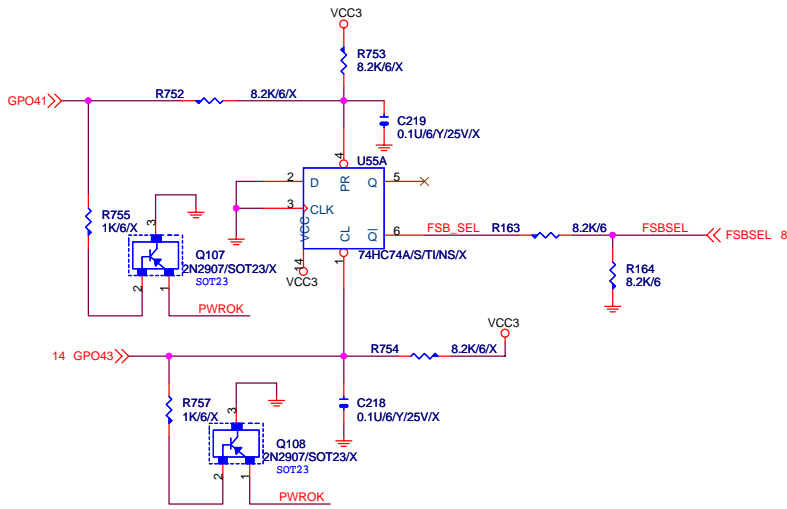
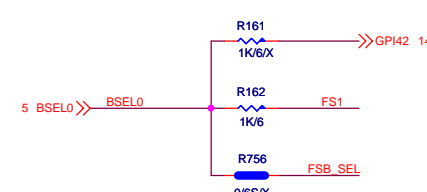
GAME_PORT

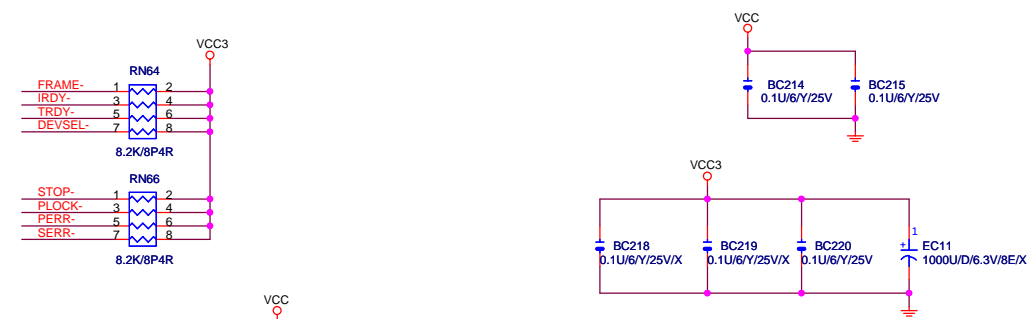
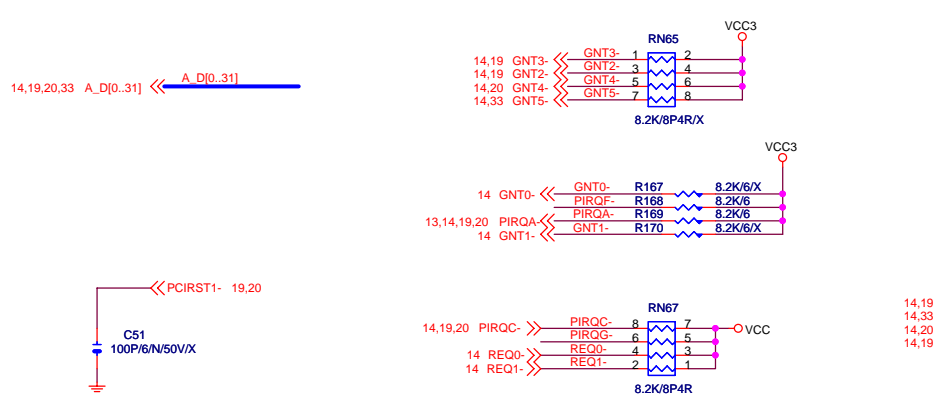
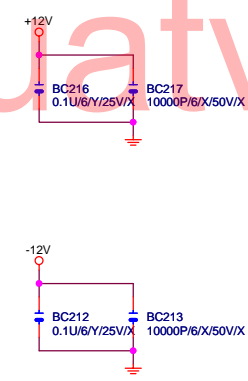
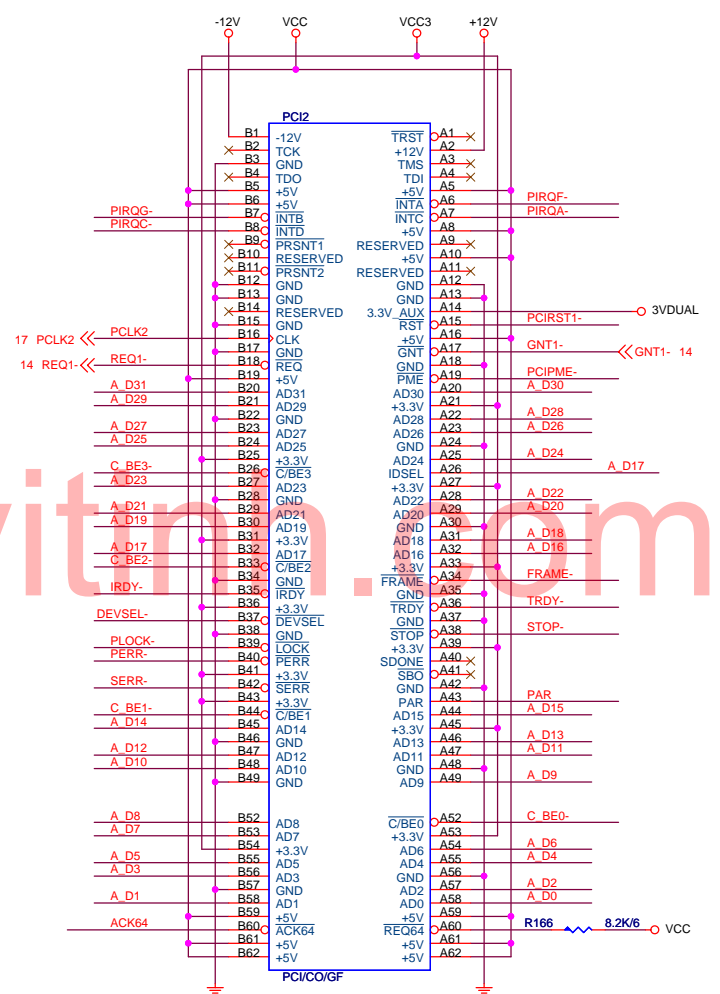
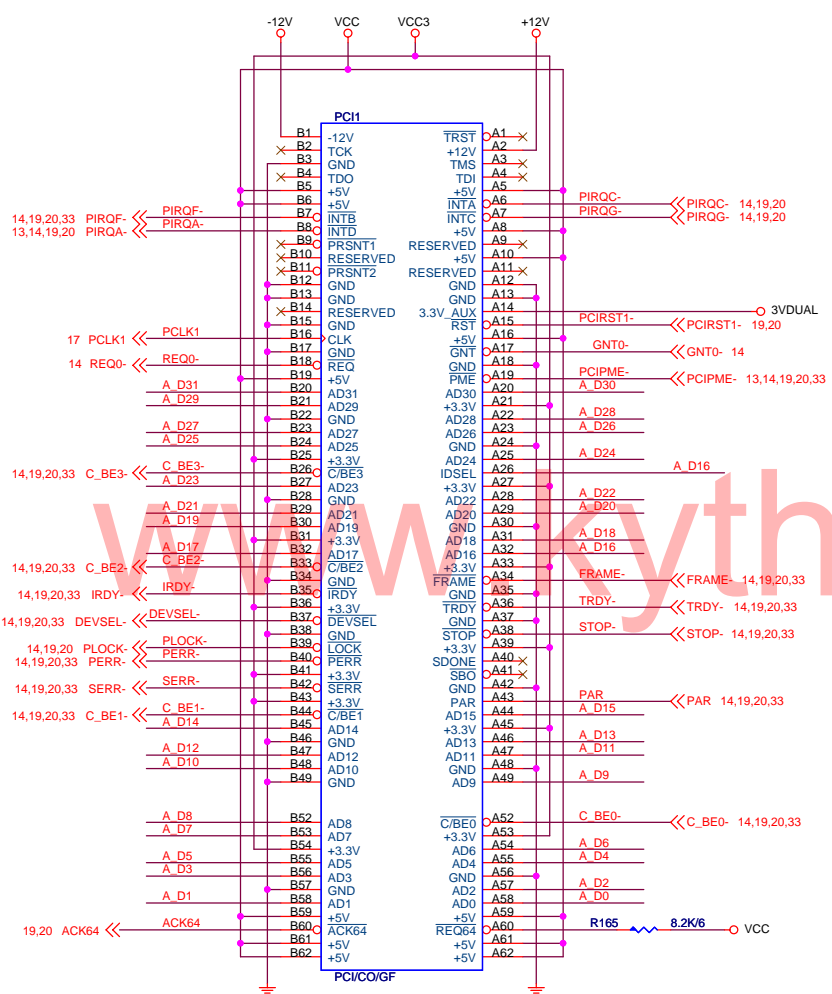


GIGABYTE	
Title	FWH
Size B	Document Number
	GA-81845G
Date:	Wednesday, June 15, 2005
	Sheet 16 of 35
Rev	1.01

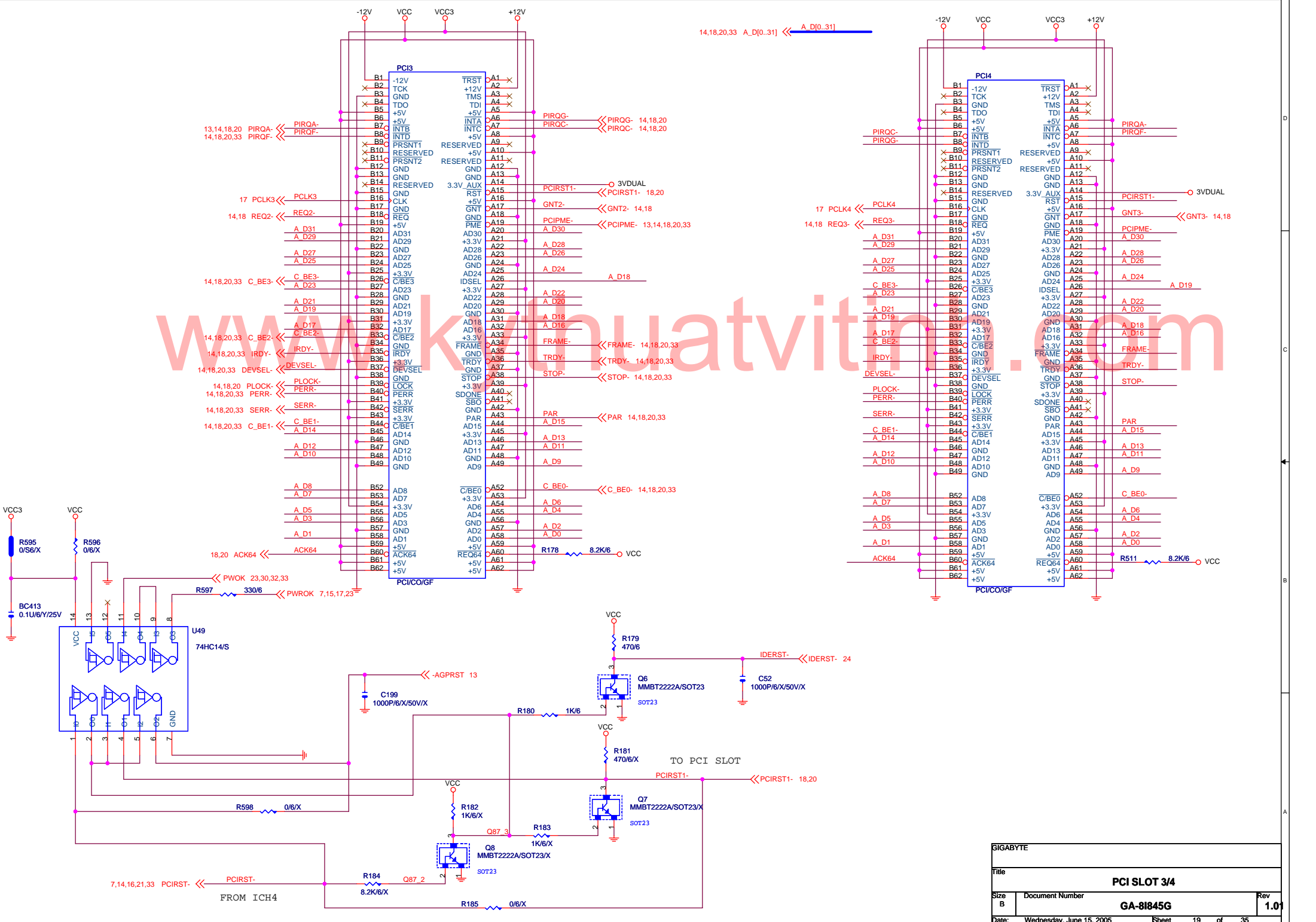


BSEL0 Pull-up at another page.

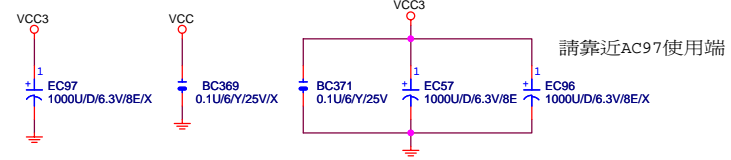
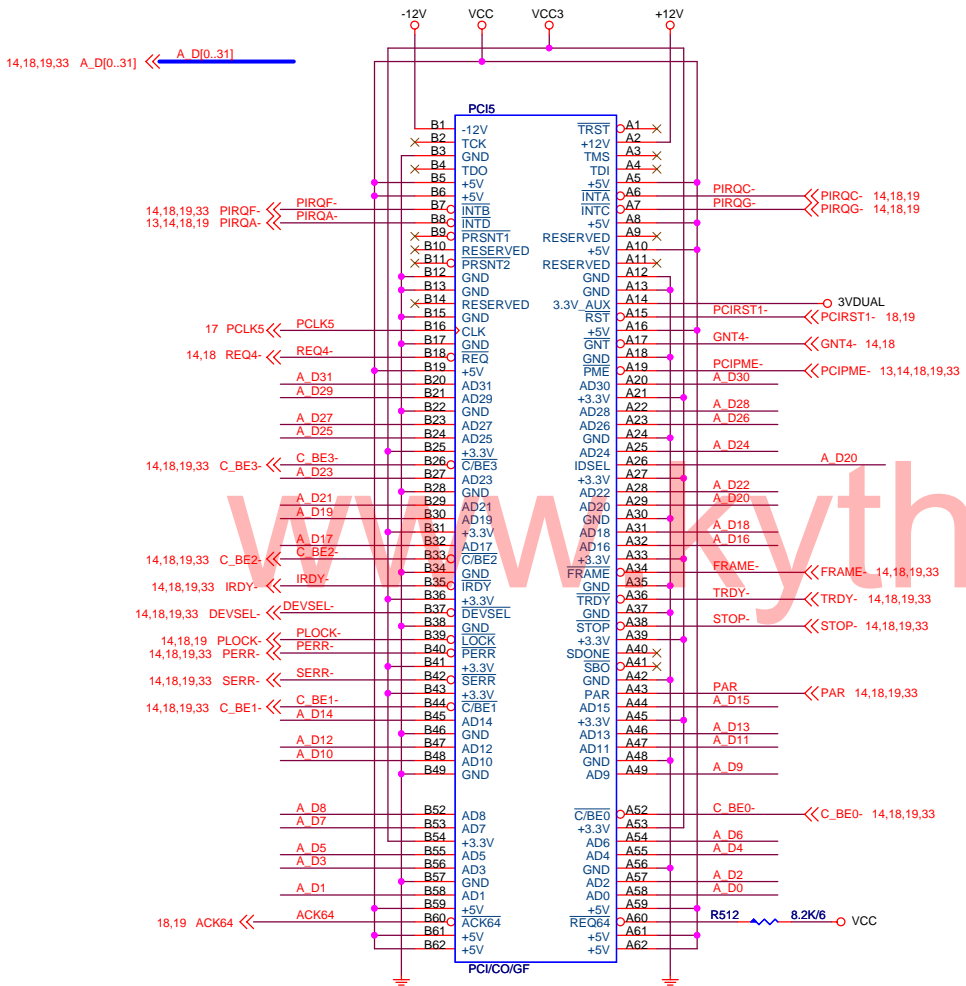




GIGABYTE		
Title: PCI SLOT 1/2		
Size B	Document Number: GA-81845G	Rev: 1.01
Date: Wednesday, June 15, 2005	Sheet: 18	of 35

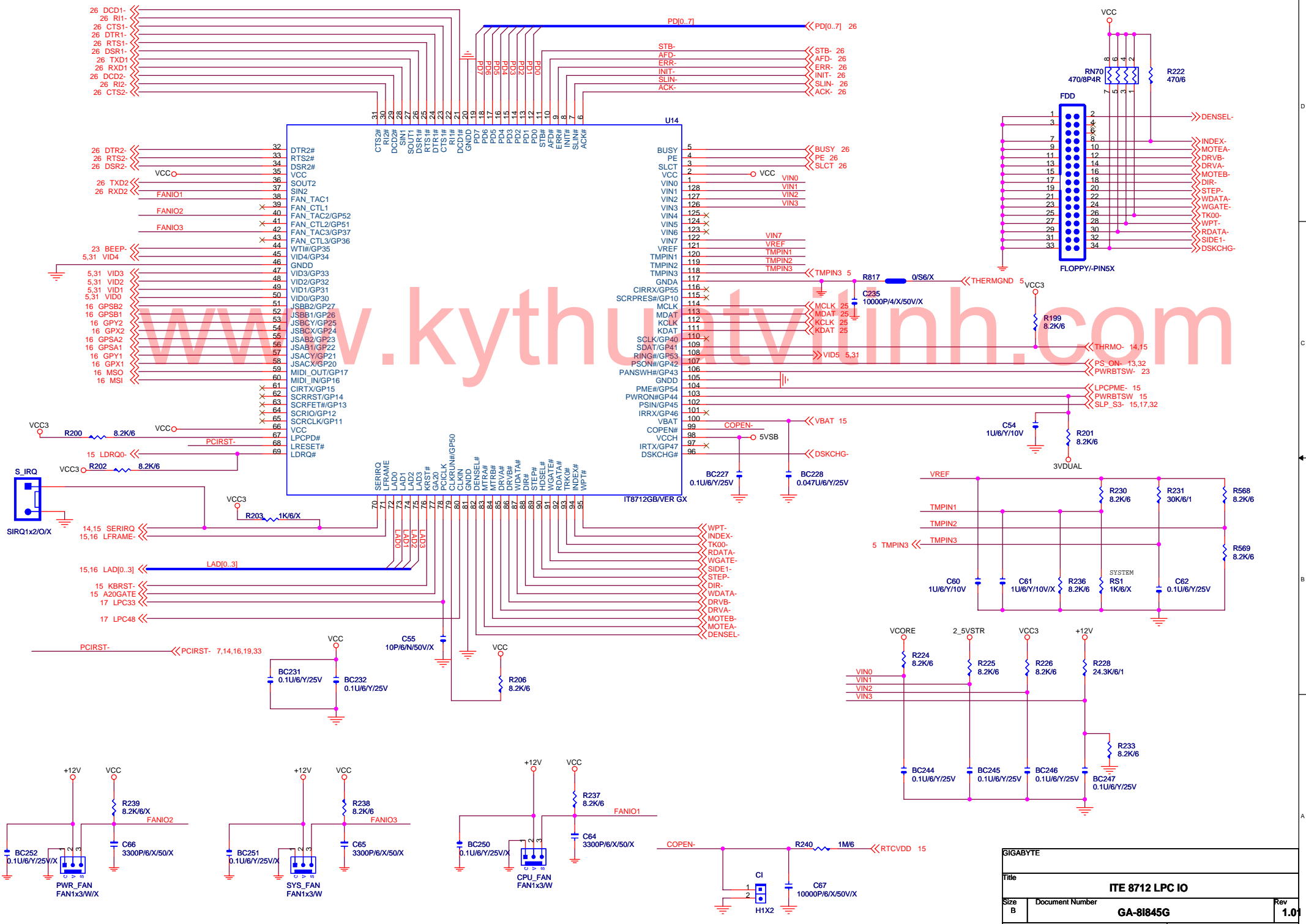


GIGABYTE			
Title		PCI SLOT 3/4	
Size B	Document Number	GA-81845G	Rev 1.01
Date:	Wednesday, June 15, 2005	Sheet 19	of 35



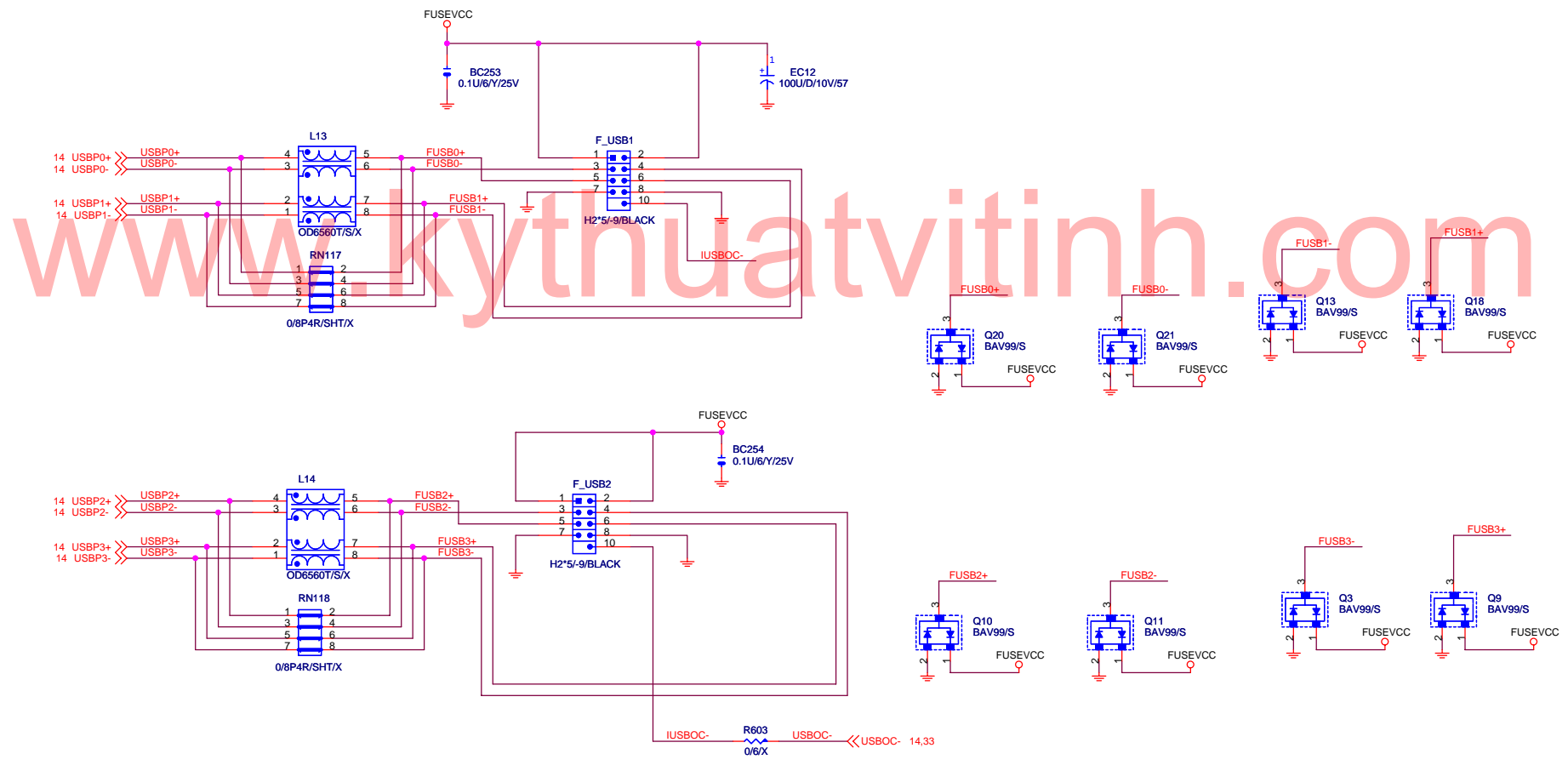
www.kythuathuatvithinh.com

GIGABYTE		
Title		
PCI SLOT 5		
Size	Document Number	Rev
B	GA-81845G	1.01
Date:	Wednesday, June 15, 2005	Sheet 20 of 35

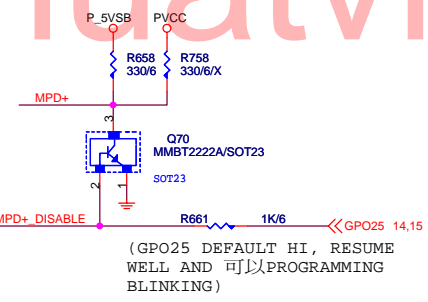
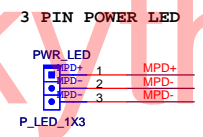
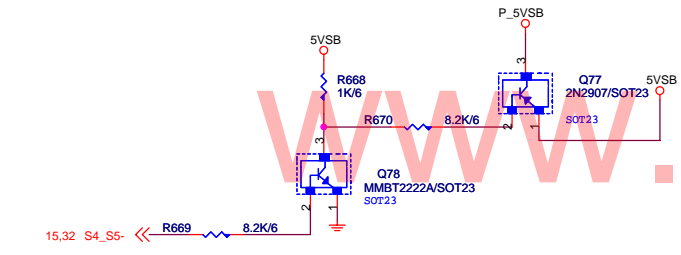
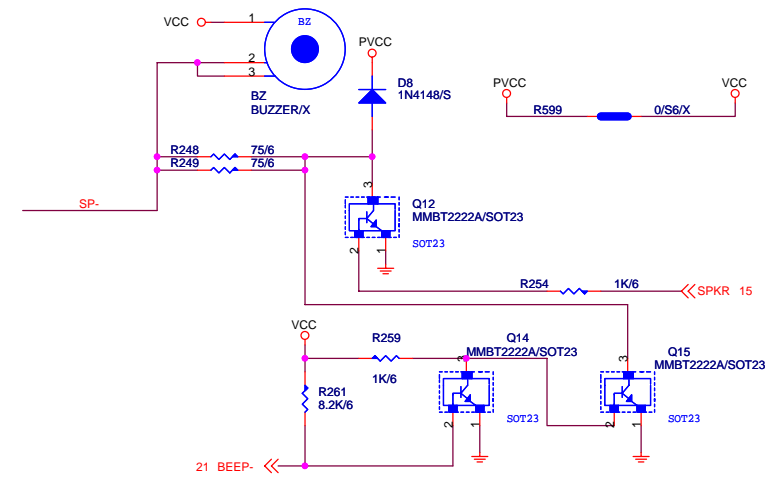
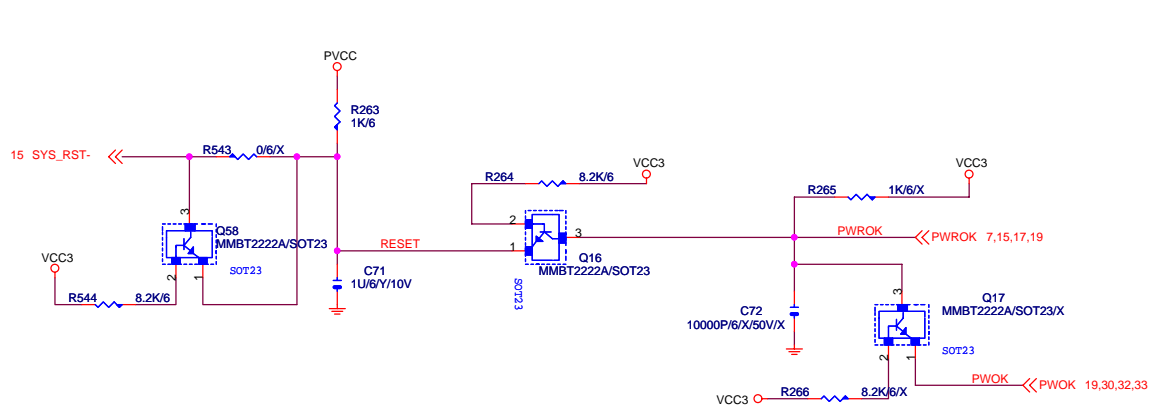


GIGABYTE	
Title ITE 8712 LPC IO	
Size B	Document Number GA-81845G
Date: Wednesday, June 15, 2005	Rev 1.01
Sheet 21	of 35

ICH4 USB2.0

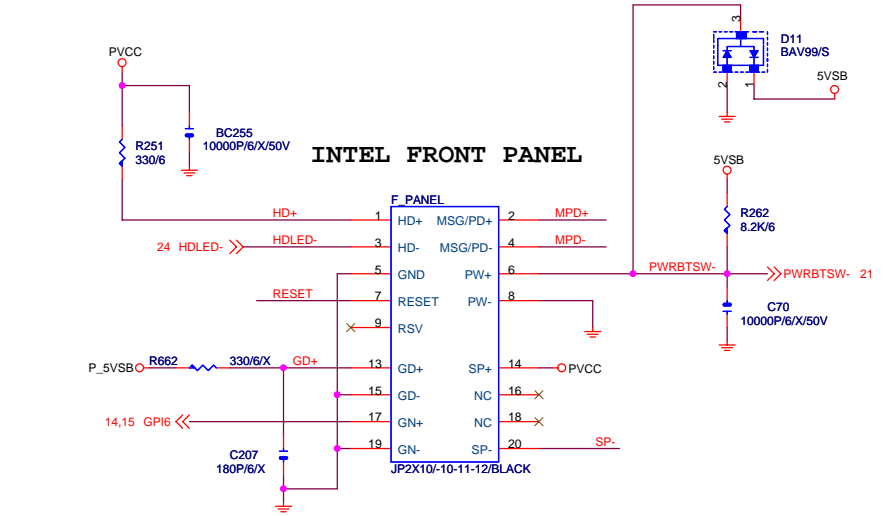


GIGABYTE			
Title			
USB, LAN PORT			
Size B	Document Number	GA-81845G	Rev 1.01
Date:	Wednesday, June 15, 2005	Sheet 22	of 35

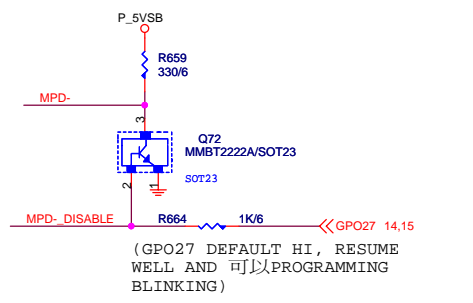


(GPO28 DEFAULT HIGH, RESUME WELL)
States for green LED

LED States	ACPI States	GPO28
ON	S1, S3	0
OFF	S0, S5	1



INTEL FRONT PANEL



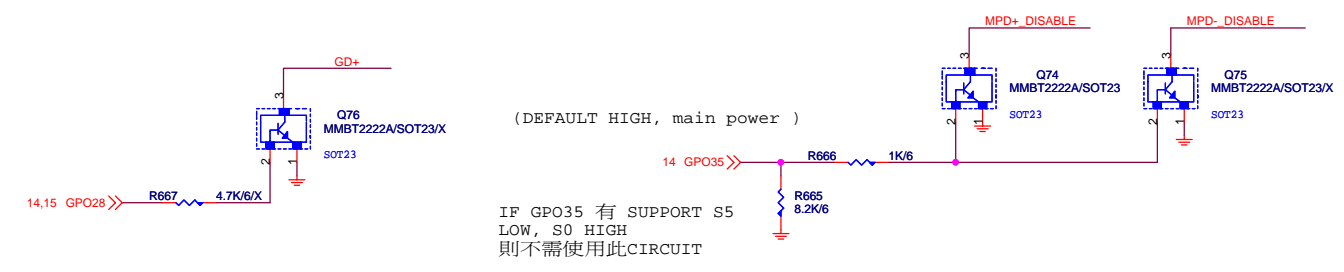
States for a single-color power LED

LED States	ACPI States	GPO25	GPO27	GPO35
OFF	S1, S3, S5	1	1	NO1
Steady Green	S0	0	1	0
Blinking Green	S0 (message waiting)	0	B	0

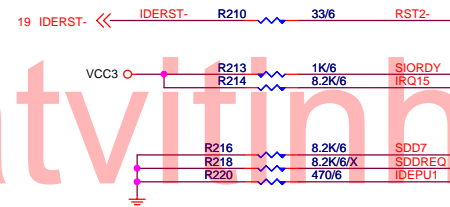
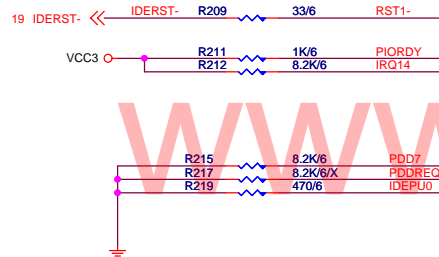
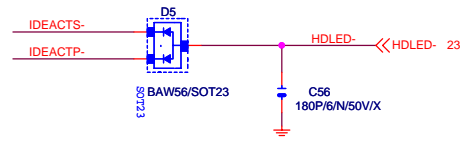
NO1 GPO35 只需在 S1 PROGRAMMING LOW

States for a dual-color power LED

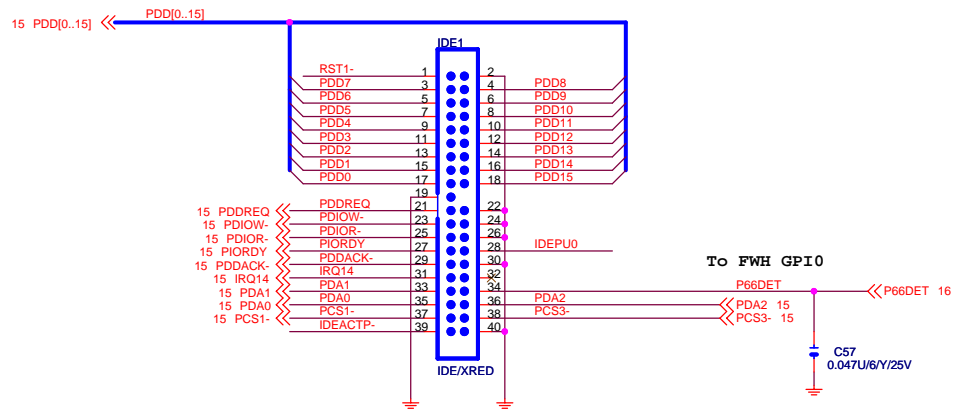
LED States	ACPI States	GPO25	GPO27	GPO35
OFF	S5	1	1	X
Steady Green	S0	0	1	0
Blinking Green	S0 (message waiting)	0	B	0
Steady Yellow	S1, S3	1	0	NO1
Blinking Yellow	S1, S3 (message waiting)	1	B	NO1



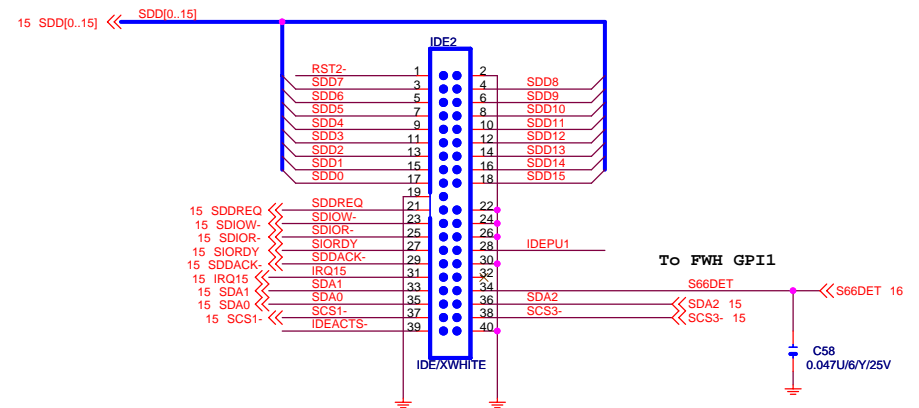
(DEFAULT HIGH, main power)
IF GPO35 有 SUPPORT S5 LOW, S0 HIGH 則不需使用此CIRCUIT



PRIMARY IDE CONNECTOR

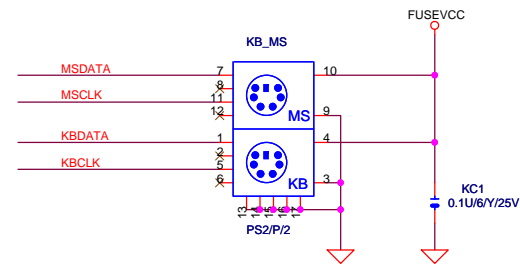
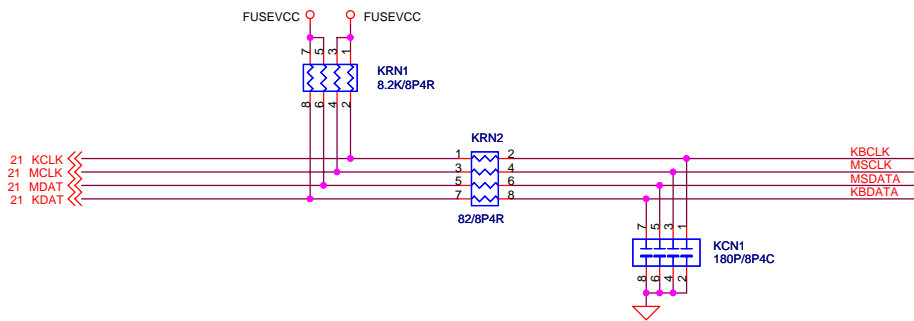
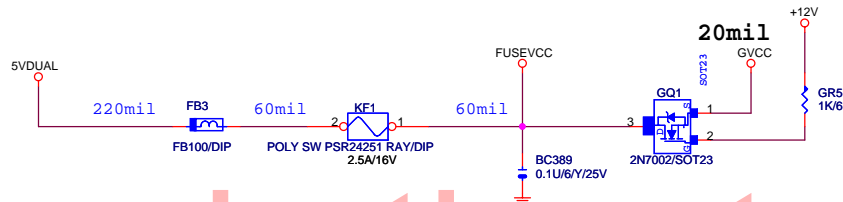


SECONDARY IDE CONNECTOR



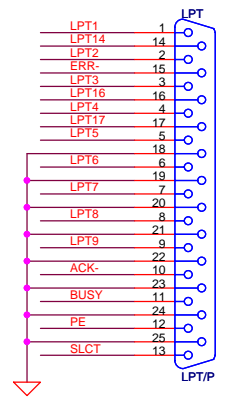
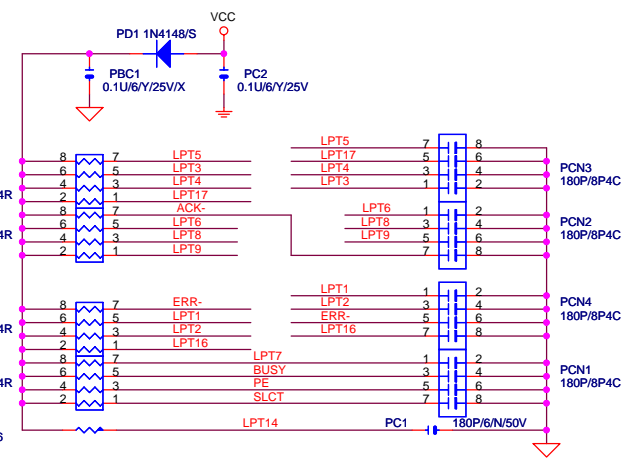
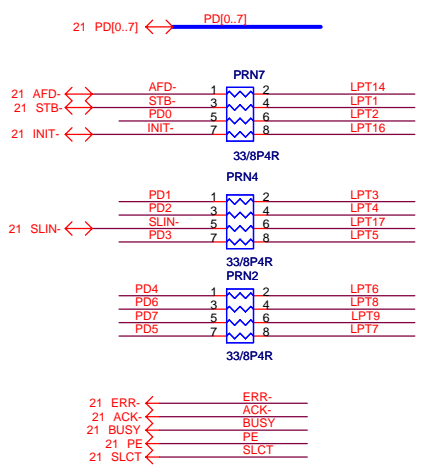
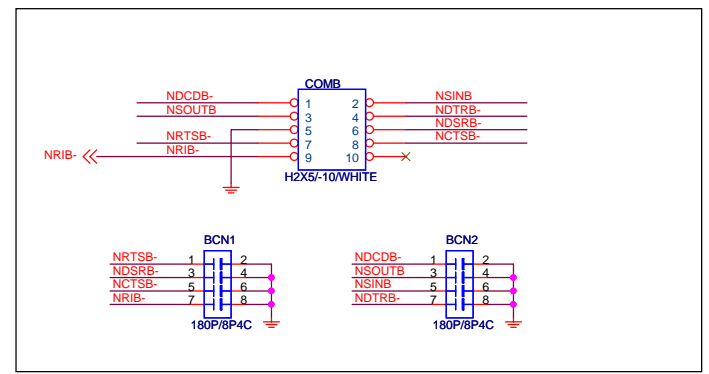
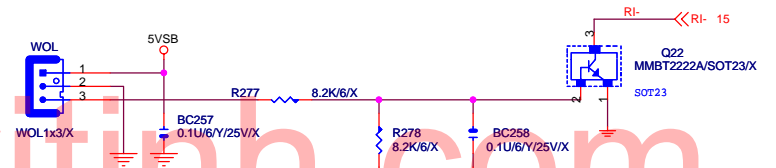
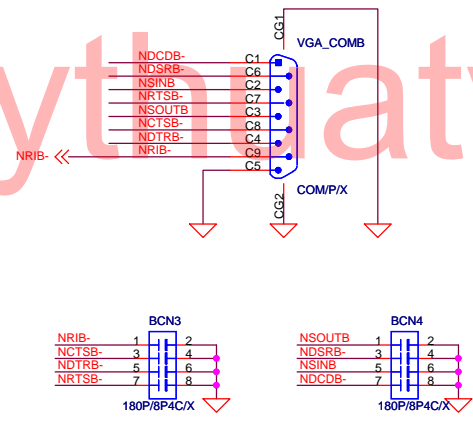
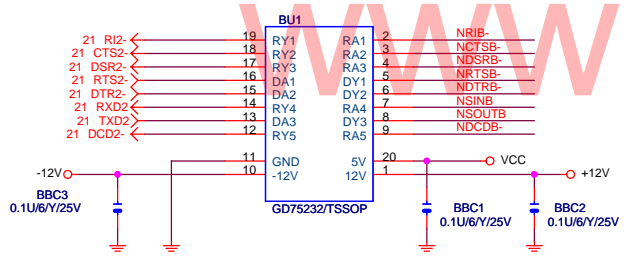
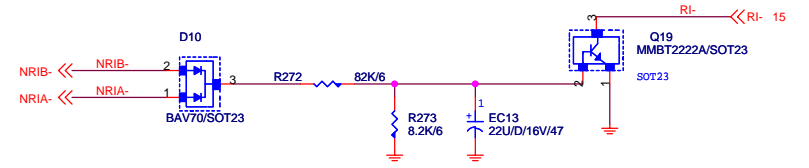
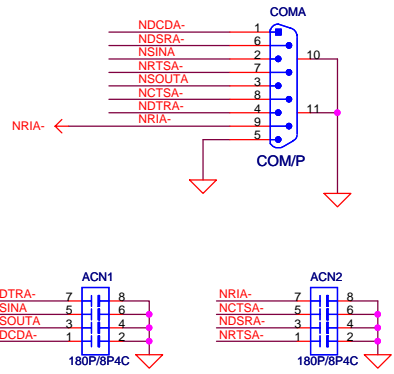
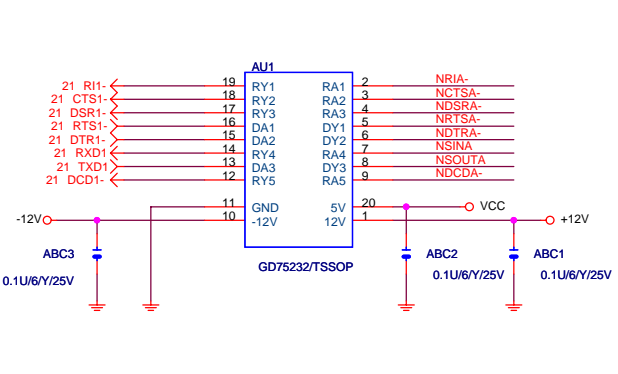
GIGABYTE		
Title		
IDE CONNECTOR		
Size	Document Number	Rev
B	GA-81845G	1.01
Date:	Wednesday, June 15, 2005	Sheet 24 of 35

www.kythuativinh.com



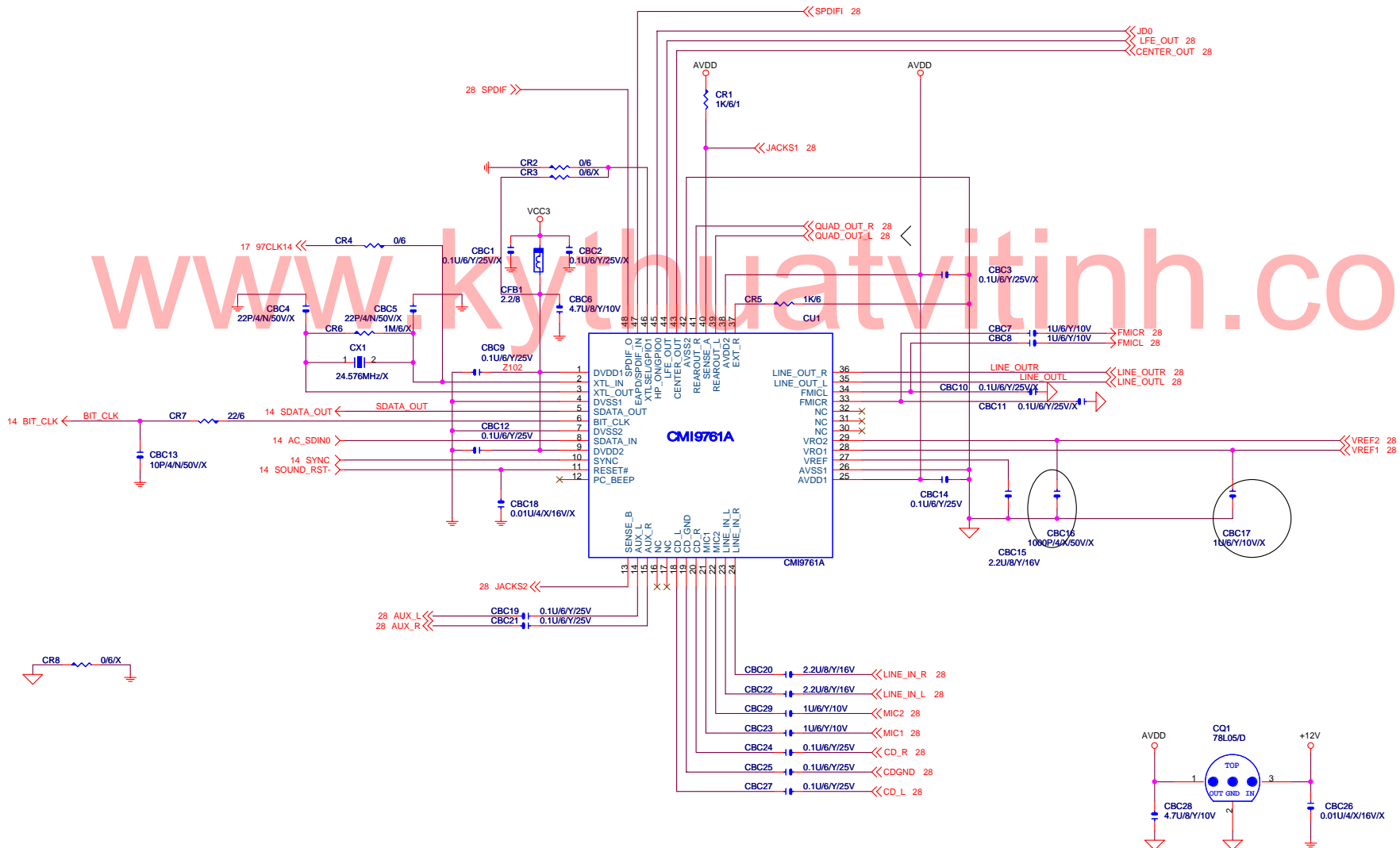
模組化線路

GIGABYTE			
Title			
KB & PS2 MOUSE & IR			
Size B	Document Number	GA-81845G	Rev 1.01
Date:	Wednesday, June 15, 2005	Sheet 25	of 35



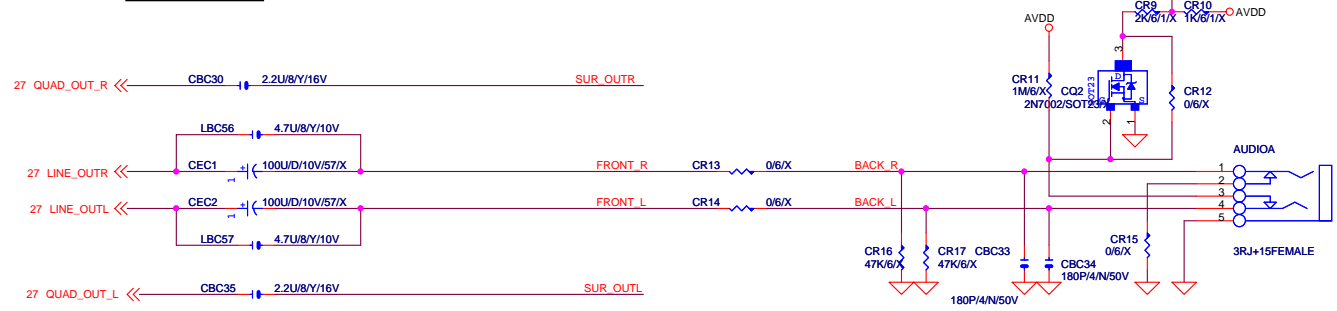
模組化線路

GIGABYTE		
Title COM & IR & LPT PORT & FLOOPY		
Size B	Document Number GA-81845G	Rev 1.01
Date: Wednesday, June 15, 2005	Sheet 26	of 35

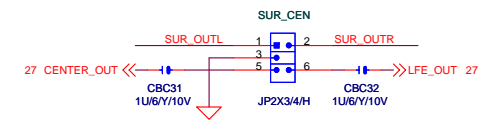


GIGABYTE			
Title			
C-MEDIA 9761A			
Size	Document Number		Rev
Custom	GA-81845G		1.01
Date:	Wednesday, June 15, 2005	Sheet	27 of 35

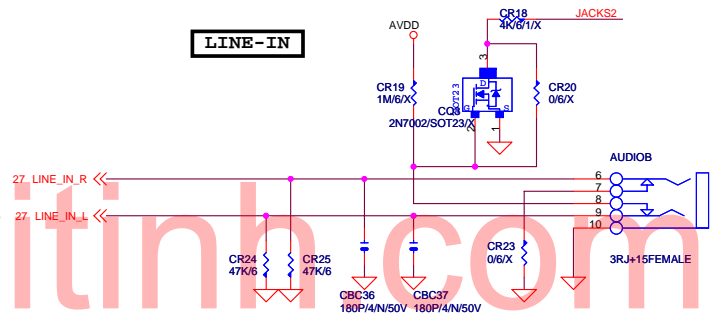
LINE OUT



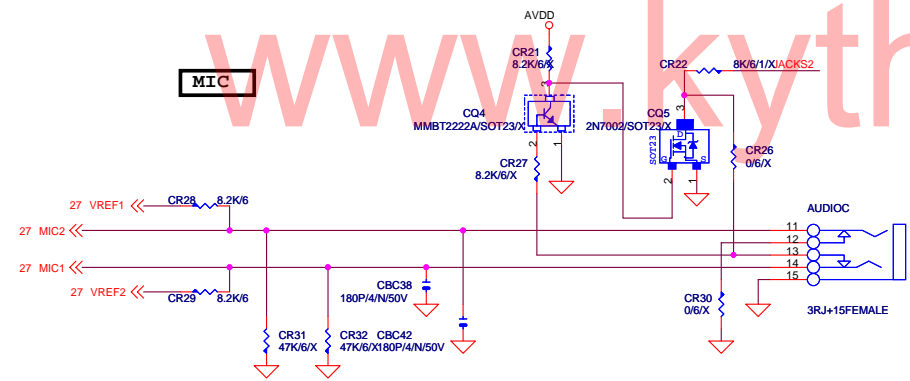
SUR_CEN



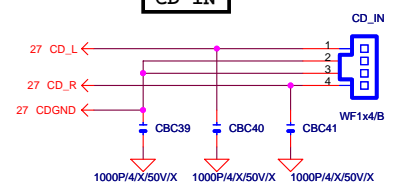
LINE-IN



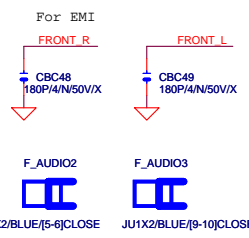
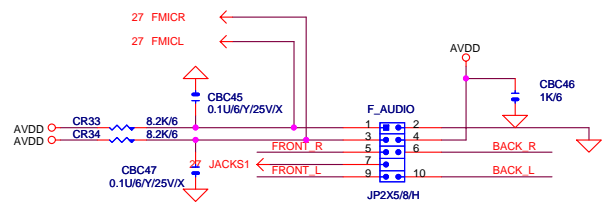
MIC



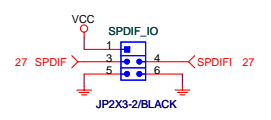
CD IN



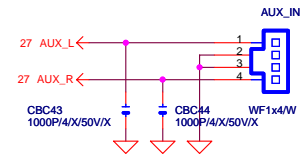
INTEL FRONT AUDIO



SPDIF

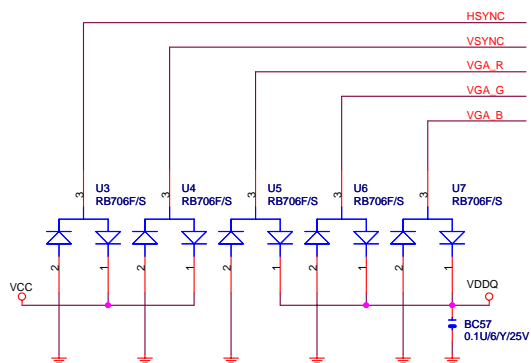
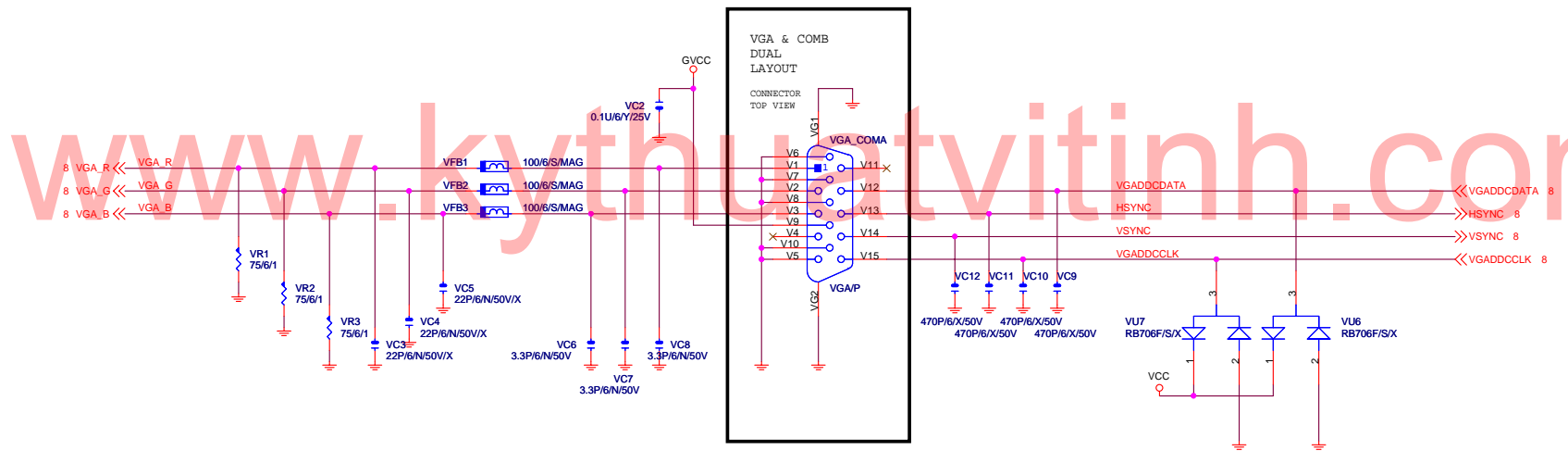


AUX IN DEFAULT NO POP



GIGABYTE		
AUDIO OUTPUT, GAME PORT		
Title		
Size Custom	Document Number	Rev
	GA-81845G	1.01
Date:	Wednesday, June 15, 2005	Sheet 28 of 35

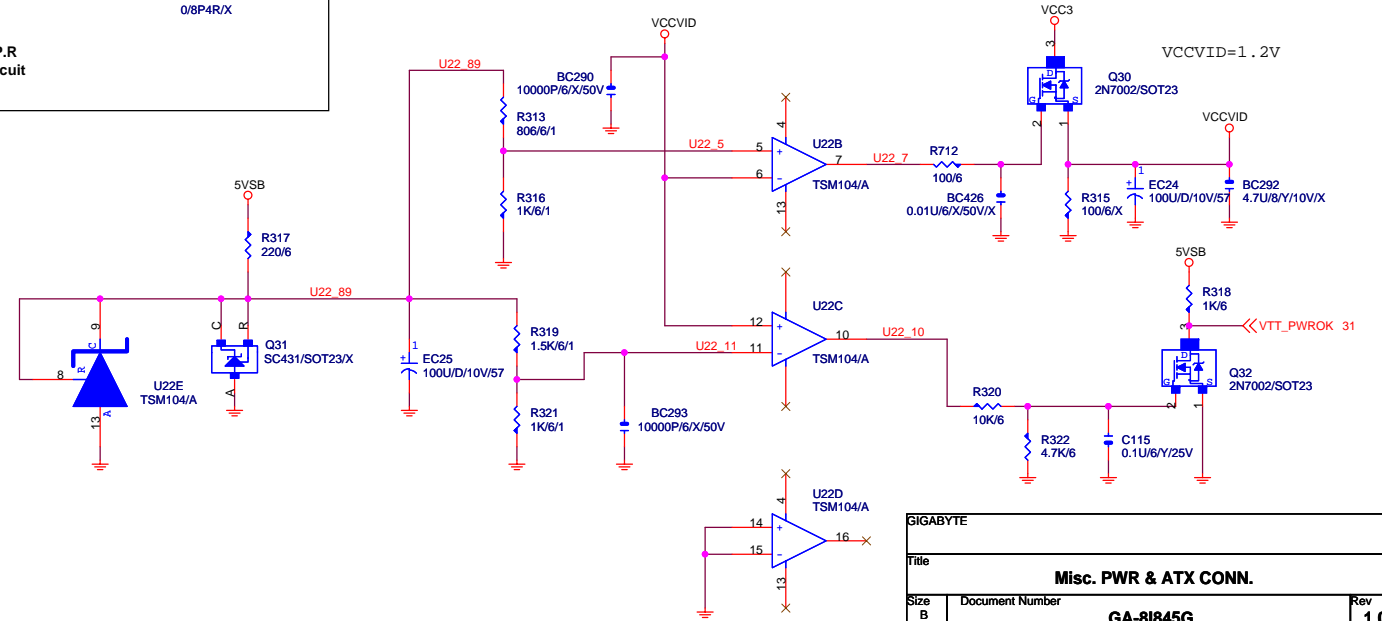
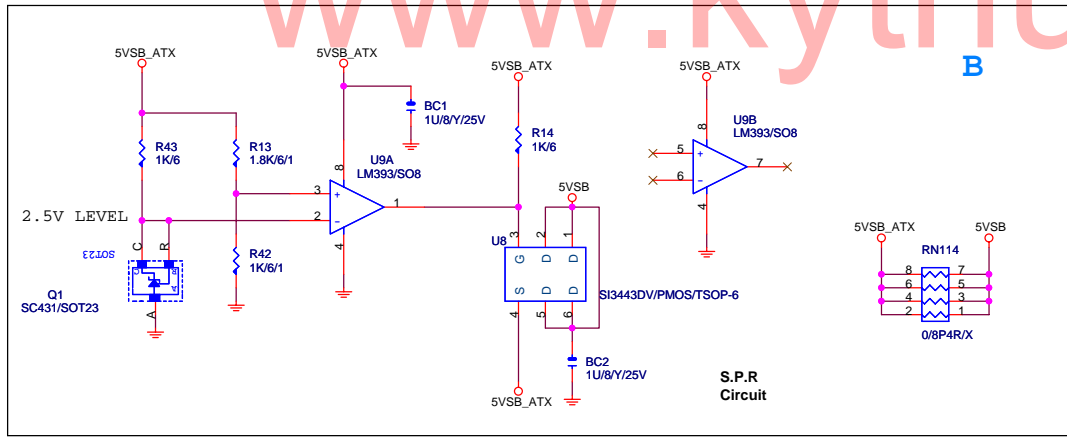
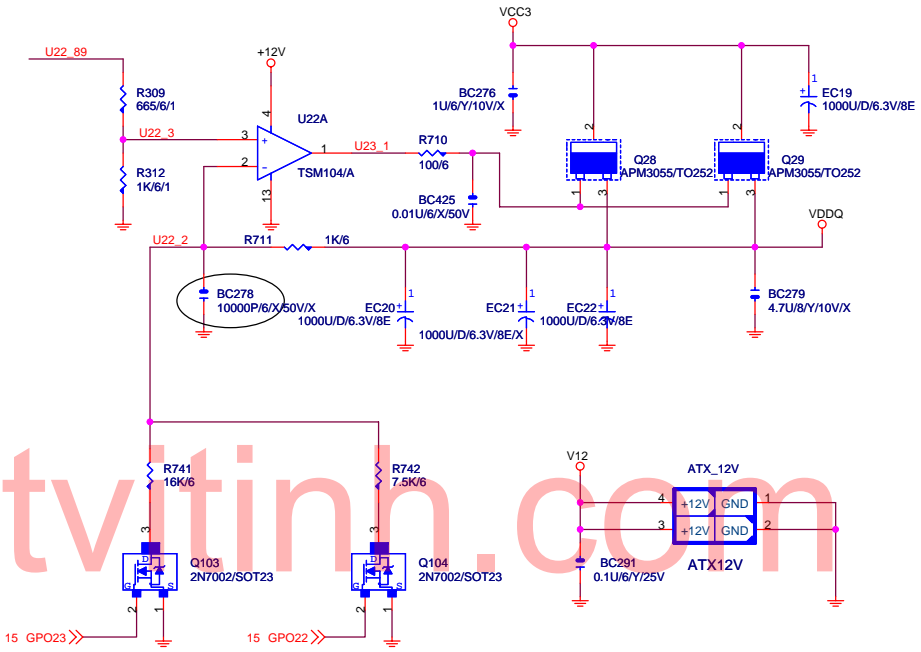
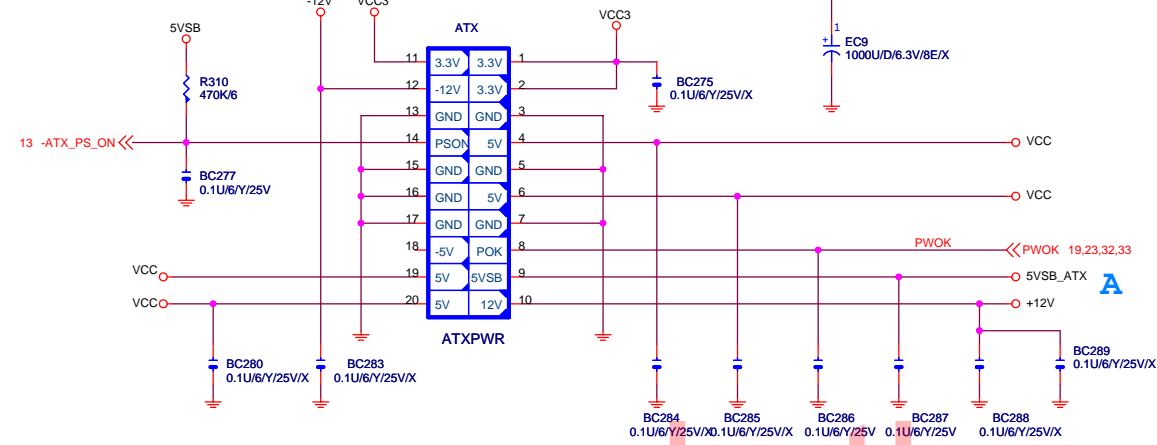
www.kythuatvitiinh.com



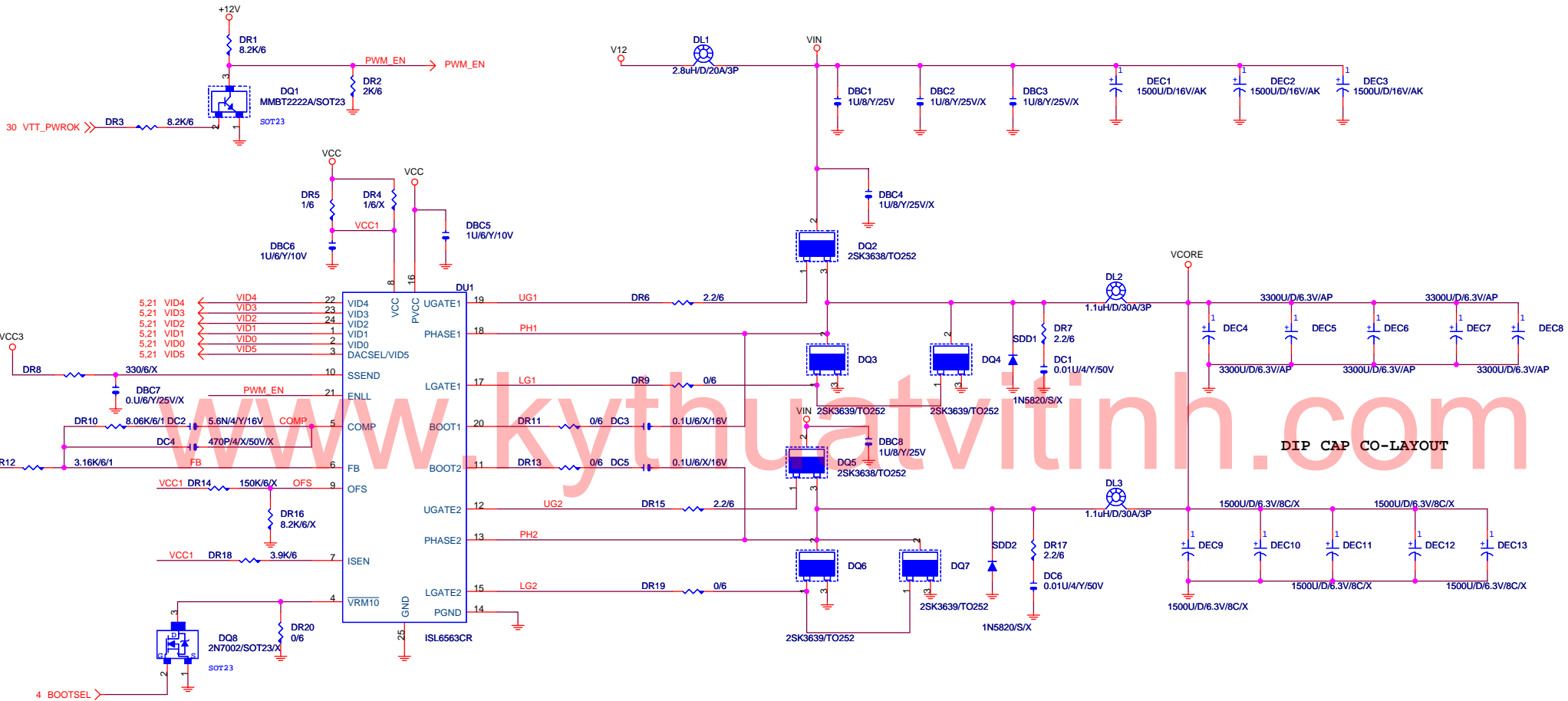
模組化線路

Title			VGA CONNECTOR		
Size	Document Number				Rev
Custom	GA-81845G				1.01
Date:	Wednesday, June 15, 2005	Sheet	29	of	35

ATX POWER CONNECTOR

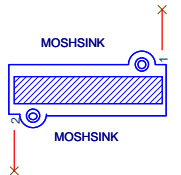
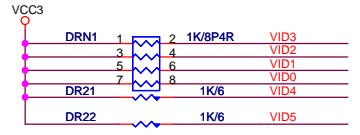


GIGABYTE		
Title		
Misc. PWR & ATX CONN.		
Size B	Document Number	Rev
	GA-81845G	1.01
Date:	Wednesday, June 15, 2005	Sheet 30 of 35

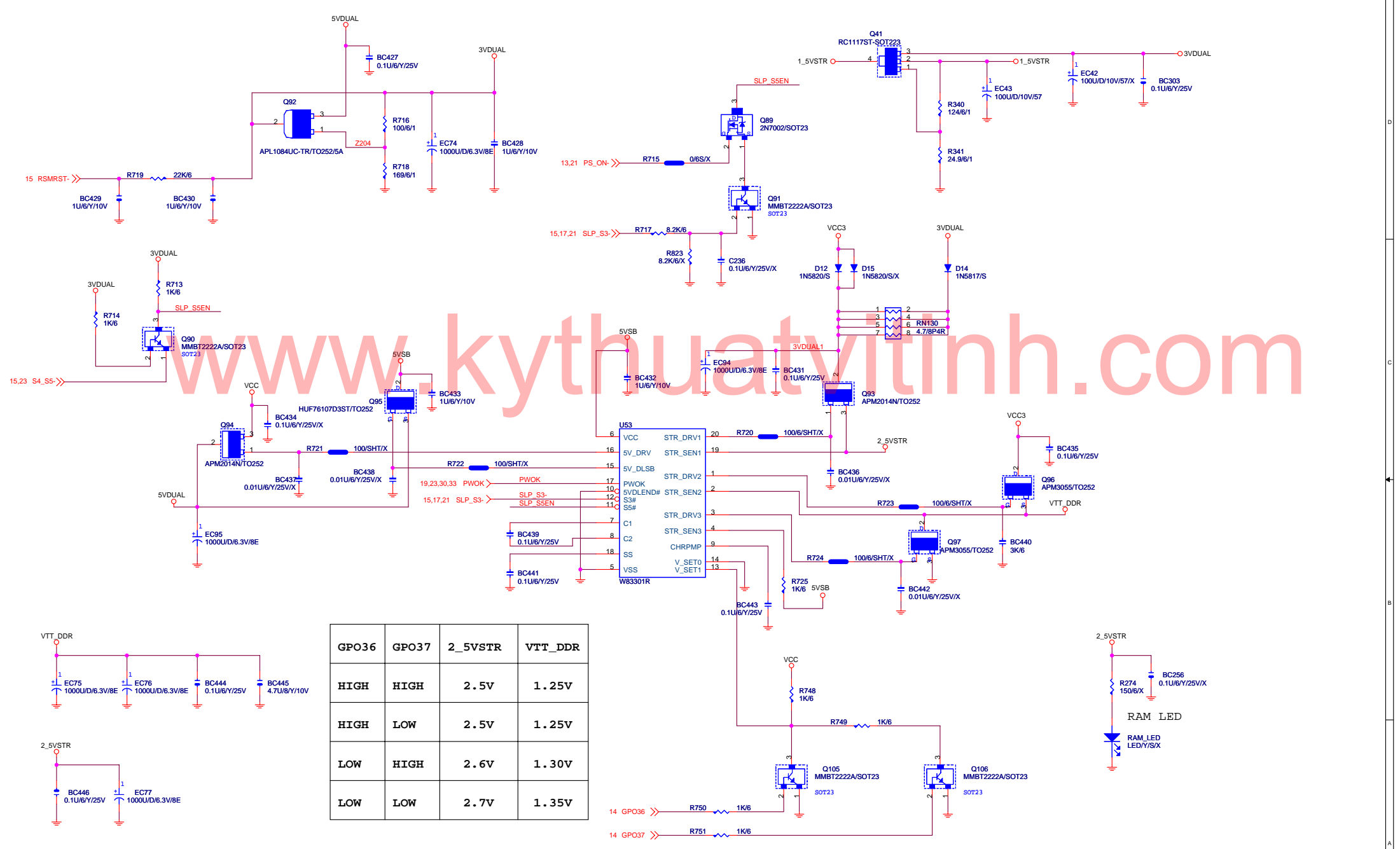


DIP CAP CO-LAYOUT

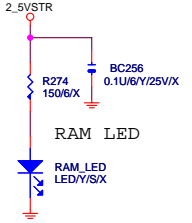
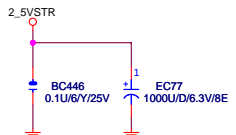
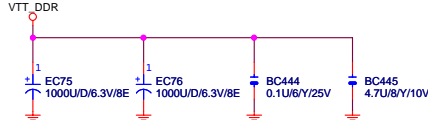
CPU Voltage ID output



GIGABYTE			
Title			
Vcore PWM HIP6563			
Size	Document Number	Rev	
Custom	GA-8I845G	1.01	
Date:	Sheet 31	of 35	

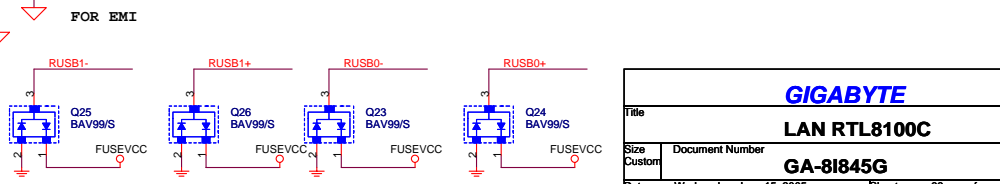
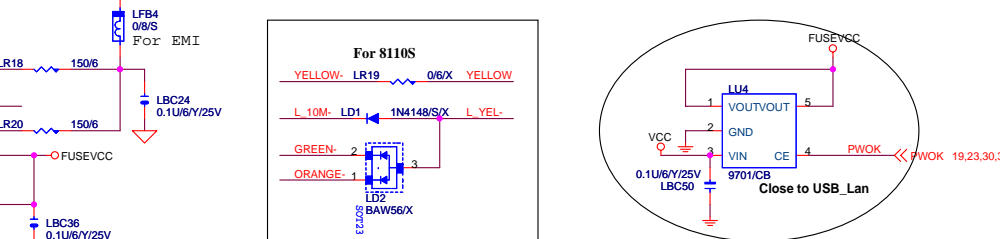
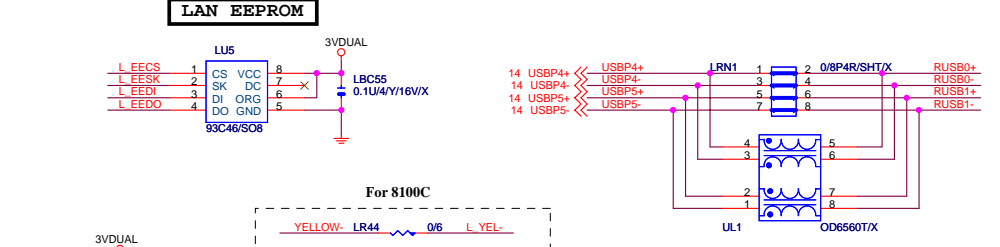
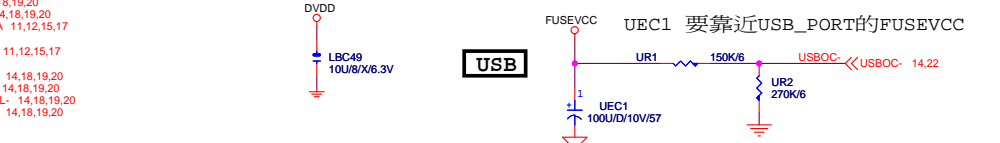
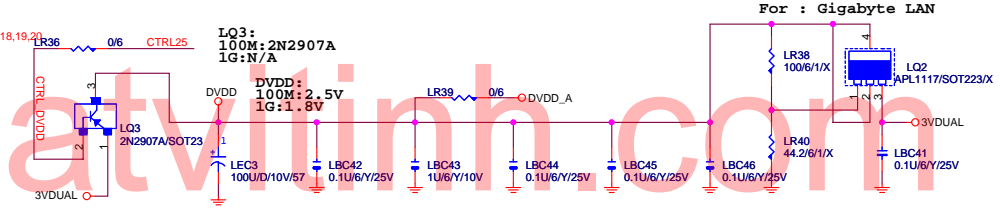
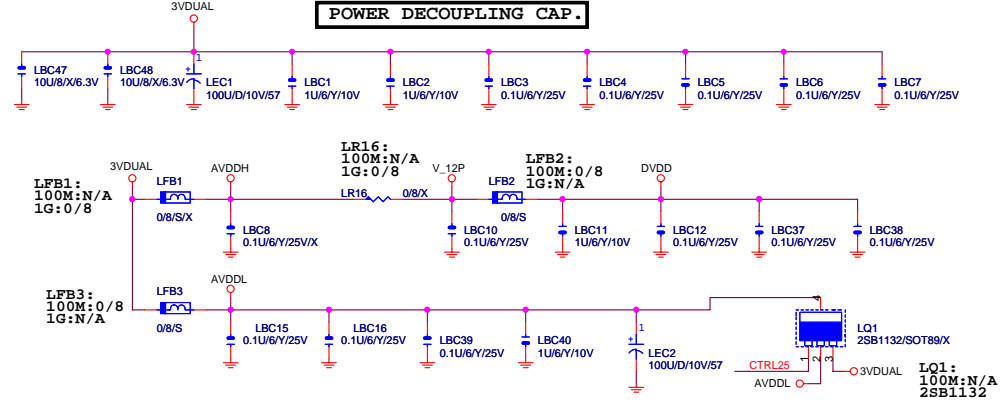
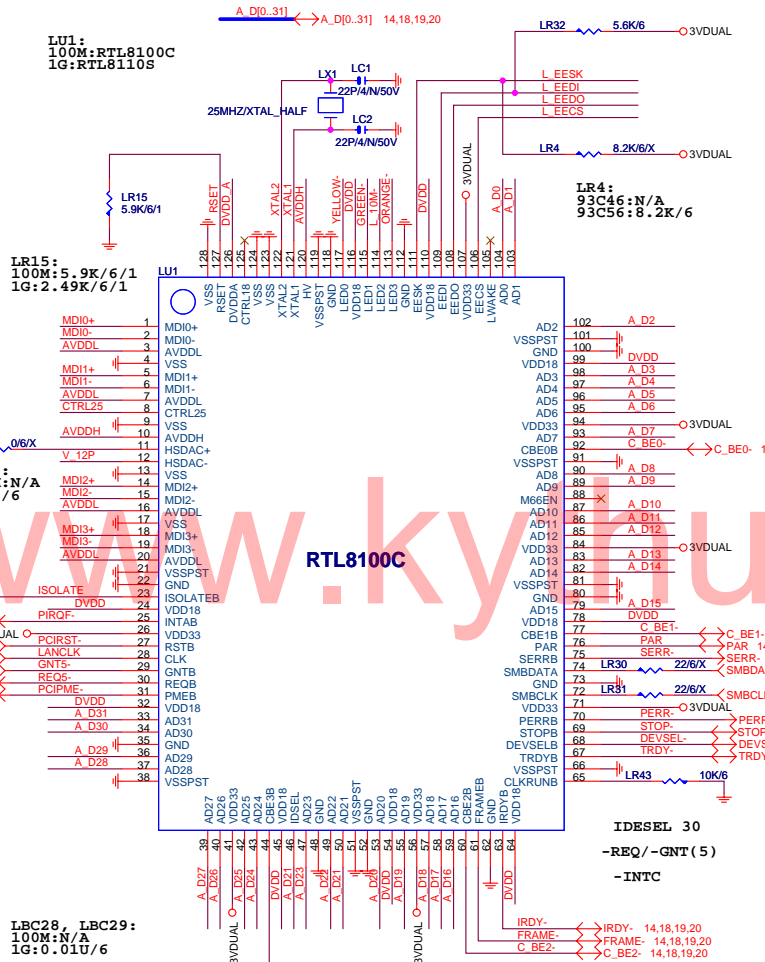
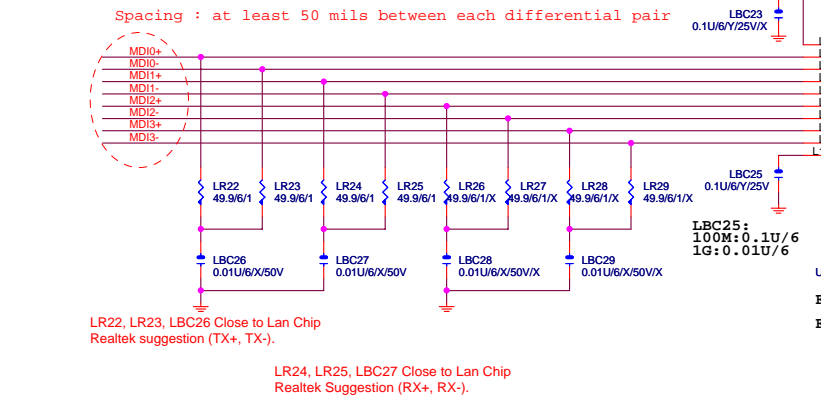
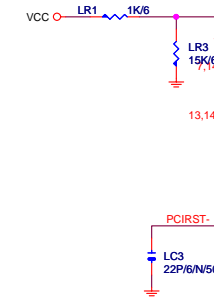
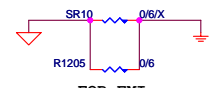


GPO36	GPO37	2_5VSTR	VTT_DDR
HIGH	HIGH	2.5V	1.25V
HIGH	LOW	2.5V	1.25V
LOW	HIGH	2.6V	1.30V
LOW	LOW	2.7V	1.35V



	10/100	Giga	Giga
	8100C	8110S	8110SB
AVDDH	N/A	3.3V	3.3V
V_12P	2.5V	N/A	3.3V
AVDDL	3.3V	2.5V	2.5V
V_DAC	N/A	2.5V	2.5V
DVDD	2.5V	1.8V	1.3V
DVDD_A	2.5V	1.8V	1.3V

	Yellow	Dual Color LED	
		Green	Orange
10Mb	---	OFF	OFF
100Mb	---	ON	OFF
1Gb	---	OFF	ON
Link	ON	---	---
Active	Blink	---	---



GIGABYTE		
LAN RTL8100C		
Title	Document Number	Rev
	GA-81845G	1.01
Size Custom	Date: Wednesday, June 15, 2005	Sheet 33 of 35

GA-8I845G PCI ROUNTING LIST

Revision : 1.01

PCI DEVICE	IDSEL	INT	CLOCK	REQ	GNT
PCI SLOT1	16	C,F,G,A	PCLK1	REQ0-	GNT0-
PCI SLOT2	17	F,G,A,C	PCLK2	REQ1-	GNT1-
PCI SLOT3	18	G,A,C,F	PCLK3	REQ2-	GNT2-
PCI SLOT4	19	A,C,F,G	PCLK4	REQ3-	GNT3-
PCI SLOT5	20	C,F,G,A	PCLK5	REQ4-	GNT4-
LAN	21	F	LANCLK	REQ5-	GNT5-

www.kythuatvithinh.com

GA-8I845G GPIO LIST

Revision 1.01

SHEET TITLE

GPI		
GPI0/REQA-		PULL DOWN 15K, detect IDE1 connector type.
GPI1/REQ5-		PULL DOWN 15K, detect IDE2 connector type.
GPI2/PIRQE-		PULL 8.2K TO VCC3
GPI3/PIRQF-		PULL 8.2K TO VCC3
GPI4/PIRQG-		PULL 8.2K TO VCC3
GPI5/PIRQH-		PULL 8.2K TO VCC3
GPI6		PULL 8.2K TO VCC3 (GREEN_BUTTON)
GPI7		NOT IMPLEMENTED
GPI8		PULL 8.2K TO 3VDUAL, LPC PME.
GPI9	NA	NOT IMPLEMENTED
GPI10	NA	NOT IMPLEMENTED
GPI11		PULL 4.7K TO 3VDUAL (SMBALERT)
GPI12		PULL DOWN 10K.
GPI13		PULL DOWN 10K, CNR_PRIMARY
GPI14	NA	NOT IMPLEMENTED
GPI15	NA	NOT IMPLEMENTED

SHEET TITLE

GPO		
GPO16		PULL 8.2K TO VCC3
GPO17		PULL 8.2K TO VCC3 (GNT5-)
GPO18		PULL 8.2K TO VCC3
GPO19		PULL 8.2K TO VCC3
GPO20		PULL 8.2K TO VCC3
GPO21		PULL 8.2K TO VCC3
GPO22		PULL 8.2K TO VCC3
GPO23		PULL 8.2K TO VCC3
GPO24		PULL 1K TO 3VDUAL (TOP BLOCK)
GPO25		PULL 4.7K TO 3VDUAL, POWER LED CONTROL.
GPO26		NOT IMPLEMENTED
GPO27		PULL 8.2K TO 3VDUAL, POWER LED CONTROL.
GPO28		PULL 8.2K TO 3VDUAL, GREEN LED.
GPO32		PULL 8.2K TO 3VDUAL, BIOS WRITE PROTECT.
GPO35		PULL DOWN 10K, POWER LED CONTROL.